

AG Shelter Series

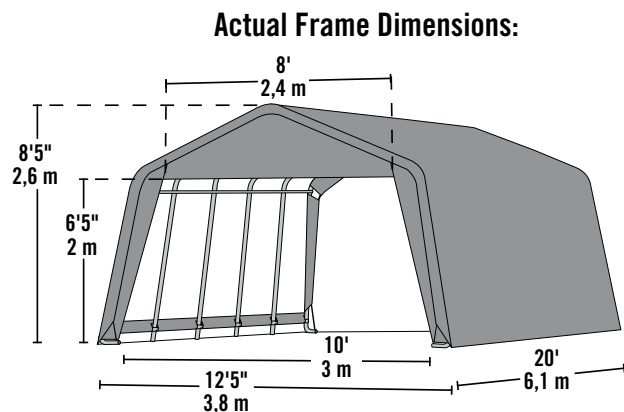
Peak Style Storage Shelter 12 x 20 x 8 ft. / 3,7 x 6,1 x 2,4 m



Instant Equine Shelter.

- Our Storage Shelter is constructed using high grade steel. Every frame tube and connector goes through a proprietary steel surface preparation process.
- 1-5/8 in. / 4,1 cm all steel frame, bonded with a premium powder-coated finish resists chipping, peeling, rust and corrosion.
- Advanced engineered, 3-layer, chemically heat bonded, enhanced polyethylene, rip-stop fabric cover is standard issue. Hot air fused seams are 100% waterproof. UV-treated inside and out with added fade blockers, anti-aging and anti-fungal agents. High profile white interior lining provides enhanced illumination.
- Comes with slip fit connectors and swedged tubing for easy assembly. Heavy duty corner braces on corner ribs and rugged Ratchet Tite™ tensioning enables quick cover installation. Easy Slide Cross Rail system lock down and square up frames and bolt hardware for every connection point.
- Structure sets up quickly and in most cases requires no building permits. Check local ordinance before installation.

Great For: Horses, hay, storage, livestock & farm equipment.



ShelterLogic®

We've Got You Covered.™
North America's #1 Shelter Manufacturer.

Model #71534

Package Includes:

- (1) 12ft.5in. x 20ft. x 8ft.5in. / 3,8 x 6,1 x 2,6 m All steel frame
- (1) One-piece green polyethylene cover
- (2) Double zippered door panels
- Steel foot plates
- 30 in./ 76,2 cm auger anchors
- Complete Hardware Kit
- Easy step-by-step instructions

Packaging Specifications:

- Total weight:
285 lbs. / 129,3 kg
- Box dimensions:
51.2 x 22.5 x 11.2 in.
130 x 57 x 28.5 cm

