

HOME  
DECORATORS  
COLLECTION

# KITCHEN & BATH CABINETS

Semi-Custom | Ships in 7-10 Business Days



**NEW** Franklin Valiant Onyx



## 2025 SPECIFICATION GUIDE

Ships in 7-10 Days | Plywood Cabinetry | Soft-Close Doors & Drawers  
Factory Built in the USA | Limited Lifetime Warranty

For use with 2020 catalogs: HOME\_DEC, HOME\_DC2

 HDCKitchens.com  866-373-9131

HDCKitchens.com



HomerDesignTools.com



Exclusively at



# HOME DECORATORS COLLECTION

## KITCHEN & BATH CABINETRY

# The Best Value in Cabinetry

**Our cabinets save you up to 44% compared to other plywood brands.**

✓ **Free All-Plywood Cabinet Construction**

Our cabinets are 4x stronger than particle board. Others charge an additional 25%.

✓ **Free Soft-Close Doors & Drawers**

It's the quiet (little) things that make all the difference; others charge an upgrade fee per cabinet.

✓ **Free Solid Hardwood Dovetail Drawer Boxes**

Our carpentry joints produce a strong, solid drawer box. Don't settle for weak stapled or glued construction.

✓ **Free Premium Painted Finish**

No extra fees for a premium painted finish; the competitor's upgrade is our standard.

✓ **Free Design Services**

Ask your Home Depot Kitchen Designer, or scan this QR code for more details.



✓ **NEW Free Depth Modifications**

Increase or decrease our standard cabinet types in 1" increments. Others charge an upgrade fee per modification.



**NEW** Franklin Verdant Green

# TABLE OF CONTENTS



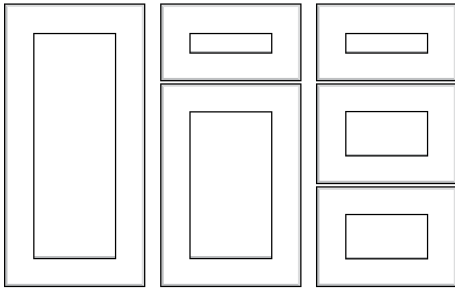
Door Styles .....	1-4
Cabinet Construction.....	5
Modification Options .....	6
Matching Interior Options.....	7
Style Tips .....	8-9
Wall Cabinets .....	10-30
Base Cabinets .....	31-48
Tall Cabinets .....	49-63
Vanity Cabinets.....	64-71
Accessories.....	72-80
Decorative Molding..... (includes crowns and light rails)	81-85
Decorative Hardware .....	86-87
(includes handles & knobs)	
Cabinet Frame & Opening Dimensions .....	88-90
Decorative & Replacement Door and Drawer Fronts.....	91-93

**PLEASE NOTE:** Line drawings are artistic representations of products for general dimensioning purposes. These should not be relied upon for accurate product appearance. Please consult the website or a designer if you have any questions or specific design requirements.

# DOOR STYLES

## NEWPORT

### Shaker | Premium Painted and Stained



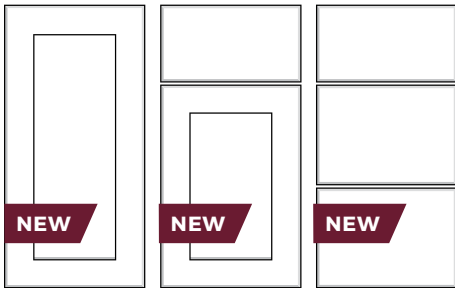
COLOR	FINISH
Pacific White (NPW) .....	Painted
Pearl Gray (TPG) .....	Painted
Blended Cream (NBC) .....	Painted
Deep Onyx (NDO) .....	Painted
Mythic Blue (NMB) .....	Painted
Cinnamon (HCN) .....	Stained
Manganite (FMG) .....	Stained



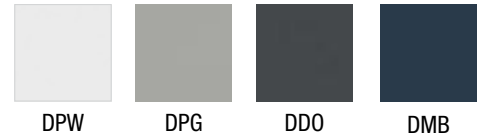
- ¾" thick x 3" wide MDF Shaker framed door with ⅝" thick solid MDF center panel for painted. Solid maple framed door with veneered MDF center panel for stained
- ¾" thick x 3" wide MDF Shaker framed drawer front with ⅝" thick solid MDF center panel for painted. Solid maple framed door with veneered MDF center panel for stained
- Soft-close 6-way adjustable hinges and full-extension drawer glides
- Decorative hardware required
- Glass doors or no door option available

## DARTMOUTH

### Shaker Door with Flat Panel Drawer Front | Premium Painted



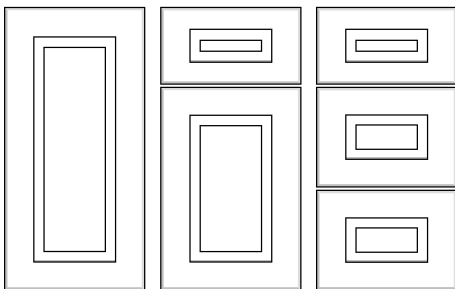
COLOR	FINISH
Pacific White (DPW) .....	Painted
Pearl Gray (DPG) .....	Painted
Deep Onyx (DDO) .....	Painted
Mythic Blue (DMB) .....	Painted



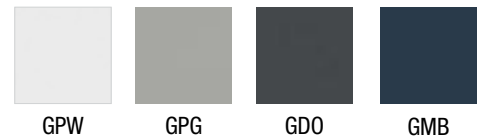
- ¾" thick x 3" wide MDF Shaker framed door with ⅝" thick solid MDF center panel
- ¾" thick solid MDF flat panel drawer front
- Soft-close 6-way adjustable hinges and full-extension drawer glides
- Decorative hardware required
- Glass doors or no door option available

## GRAYSON

### Raised Panel Shaker | Premium Painted



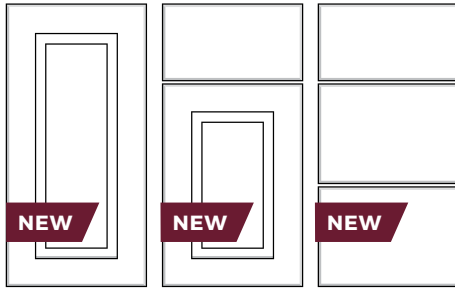
COLOR	FINISH
Pacific White (GPW) .....	Painted
Pearl Gray (GPG) .....	Painted
Deep Onyx (GDO) .....	Painted
Mythic Blue (GMB) .....	Painted



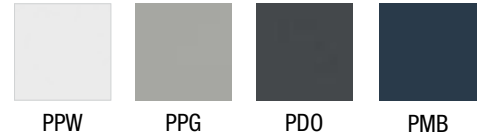
- ¾" thick x 3" wide MDF Shaker framed door with ¾" thick solid MDF raised center panel
- ¾" thick x 3" wide MDF Shaker framed drawer front with ¾" thick solid MDF raised center panel
- Soft-close 6-way adjustable hinges and full-extension drawer glides with soft close
- Decorative hardware required
- Glass doors or no door option available
- 9" wide and smaller doors will not feature a raised center panel

**PIEDMONT**

**Raised Panel Shaker Door with Flat Panel Drawer Front | Premium Painted**



COLOR	FINISH
Pacific White (PPW).....	Painted
Pearl Gray (PPG).....	Painted
Deep Onyx (PDO).....	Painted
Mythic Blue (PMB).....	Painted



- ¾" thick x 3" wide MDF Shaker framed door with ¾" thick solid MDF raised center panel
- ¾" thick solid MDF flat panel drawer front

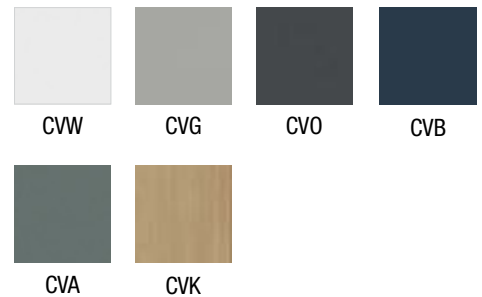
- Soft-close 6-way adjustable hinges and full-extension drawer glides
- Decorative hardware required
- Glass doors or no door option available
- 9" wide and smaller doors will not feature a raised center panel

**FRANKLIN**

**Slim Shaker | RTF**



COLOR	FINISH
Vesper White (CVW).....	RTF
Veiled Gray (CVG).....	RTF
Valiant Onyx (CVO).....	RTF
Vessel Blue (CVB).....	RTF
Verdant Green (CVA).....	RTF
Vanguard Oak (CVK).....	RTF



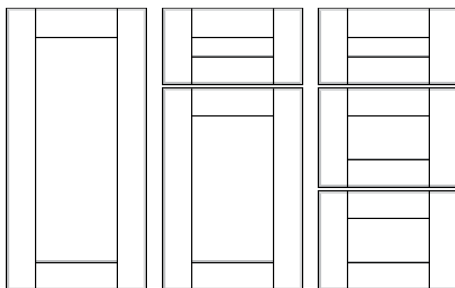
- ¾" thick x ¾" wide MDF Slim Shaker frame and recessed panel door with Rigid Thermofoil (RTF) and white flat melamine back
- ¾" thick x ¾" wide MDF Slim Shaker frame and recessed panel drawer front with Rigid Thermofoil (RTF) and white flat melamine back
- RTF and melamine door styles require a (Heat\_Shield) to protect doors and drawers from heat-emitting appliances. See page 79 for details

- Soft-close 6-way adjustable hinges and full-extension drawer glides
- Decorative hardware required
- Glass doors are not available
- No door option available



**WASHINGTON**

**Shaker | RTF**



COLOR	FINISH
Vesper White (WVW).....	RTF
Veiled Gray (WVG).....	RTF
Valiant Onyx (WVO).....	RTF
Vessel Blue (WVB).....	RTF
Verdant Green (WVA).....	RTF
Vanguard Oak (WVK).....	RTF



- ¾" thick x 3" wide MDF Shaker frame and recessed panel door with Rigid Thermofoil (RTF) and white flat melamine back
- ¾" thick x 3" wide MDF Shaker frame and recessed panel drawer front with Rigid Thermofoil (RTF) and white flat melamine back
- Veiled Gray doors and drawer fronts will include a matching gray flat melamine back

- RTF and melamine door styles require a (Heat\_Shield) to protect doors and drawers from heat-emitting appliances. See page 79 for details
- Soft-close 6-way adjustable hinges and full-extension drawer glides
- Decorative hardware required
- Glass doors are not available
- No door option available



# DOOR STYLES

## LAKEVILLE

### Shaker Door with Flat Panel Drawer Front | RTF



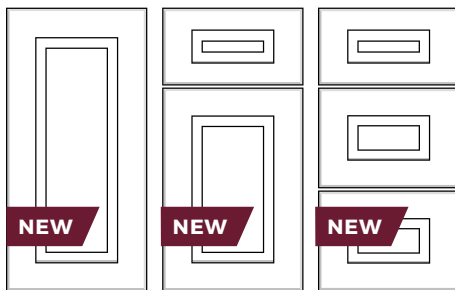
COLOR	FINISH
Vesper White (DVW) .....	RTF
Veiled Gray (DVG).....	RTF
Valiant Onyx (DVO).....	RTF
Vessel Blue (DVB) .....	RTF
Verdant Green (DVA) .....	RTF
Vanguard Oak (DVK) .....	RTF



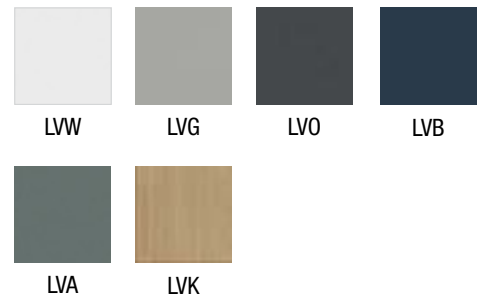
- ¾" thick x 3" wide MDF Shaker frame and recessed panel door with Rigid Thermofoil (RTF) and white flat melamine back
- ¾" thick solid MDF flat panel drawer front with Rigid Thermofoil (RTF) and white flat melamine back
- Veiled Gray doors will include a matching gray flat melamine back
- Veiled Gray drawers will include a white flat melamine back
- RTF and melamine door styles require a (Heat\_Shield) to protect doors and drawers from heat-emitting appliances. See page 79 for details
- Soft-close 6-way adjustable hinges and full-extension drawer glides
- Decorative hardware required
- Glass doors are not available
- No door option available

## LONGWOOD

### Raised Panel Shaker | RTF



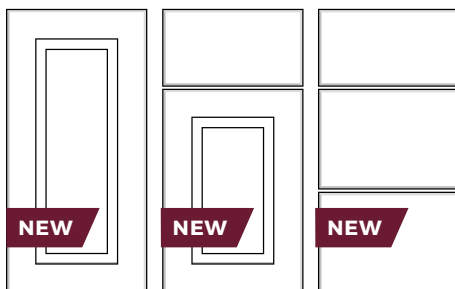
COLOR	FINISH
Vesper White (LVW).....	RTF
Veiled Gray (LVG) .....	RTF
Valiant Onyx (LVO).....	RTF
Vessel Blue (LVB) .....	RTF
Verdant Green (LVA) .....	RTF
Vanguard Oak (LVK) .....	RTF



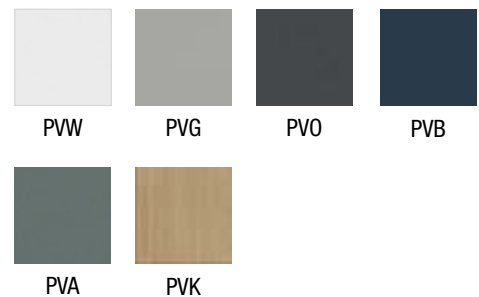
- ¾" thick x 3" wide MDF Shaker framed door and solid MDF raised center panel with Rigid Thermofoil (RTF) and white flat melamine back
- ¾" thick x 3" wide MDF Shaker framed drawer front and solid MDF raised center panel with Rigid Thermofoil (RTF) and white flat melamine back
- RTF and melamine door styles require a (Heat\_Shield) to protect doors and drawers from heat-emitting appliances. See page 79 for details
- Soft-close 6-way adjustable hinges and full-extension drawer glides
- Decorative hardware required
- Glass doors are not available
- No door option available
- 9" wide and smaller doors will not feature a raised center panel

## PEMBROKE

### Raised Panel Shaker with Flat Panel Drawer Front | RTF



COLOR	FINISH
Vesper White (PVW) .....	RTF
Veiled Gray (PVG).....	RTF
Valiant Onyx (PVO).....	RTF
Vessel Blue (PVB).....	RTF
Verdant Green (PVA).....	RTF
Vanguard Oak (PVK).....	RTF

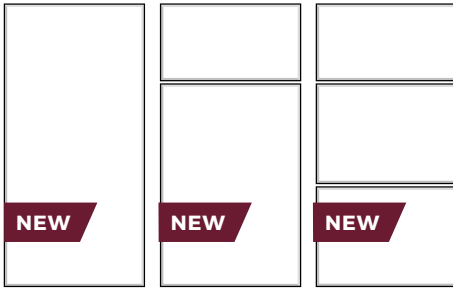


- ¾" thick x 3" wide MDF Shaker framed door and solid MDF raised center panel with Rigid Thermofoil (RTF) and white flat melamine back
- ¾" thick solid MDF flat panel drawer front with Rigid Thermofoil (RTF) and white flat melamine back
- RTF and melamine door styles require a (Heat\_Shield) to protect doors and drawers from heat-emitting appliances. See page 79 for details
- Soft-close 6-way adjustable hinges and full-extension drawer glides
- Decorative hardware required
- Glass doors are not available
- No door option available
- 9" wide and smaller doors will not feature a raised center panel



## HARGROVE

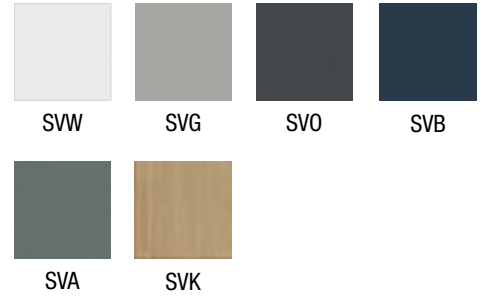
### Flat Panel | RTF



**COLOR**

- Vesper White (SVW) ..... RTF
- Veiled Gray (SVG)..... RTF
- Valiant Onyx (SVO)..... RTF
- Vessel Blue (SVB)..... RTF
- Verdant Green (SVA)..... RTF
- Vanguard Oak (SVK)..... RTF

**FINISH**

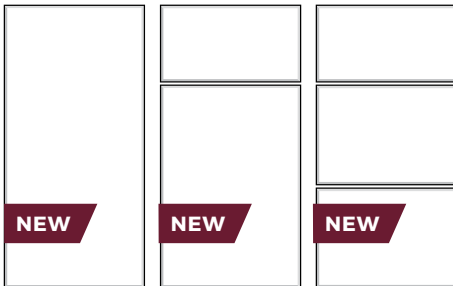


- ¾" thick solid MDF flat panel door with Rigid Thermofoil (RTF) and white flat melamine back
- ¾" thick solid MDF flat panel drawer front with Rigid Thermofoil (RTF) and white flat melamine back
- RTF and melamine door styles require a (Heat\_Shield) to protect doors and drawers from heat-emitting appliances. See page 79 for details

- Soft-close 6-way adjustable hinges and full-extension drawer glides
- Decorative hardware required
- Glass doors are not available
- No door option available

## STOCKTON

### Flat Panel | Melamine



**COLOR**

- Bianco (SBO) ..... Melamine

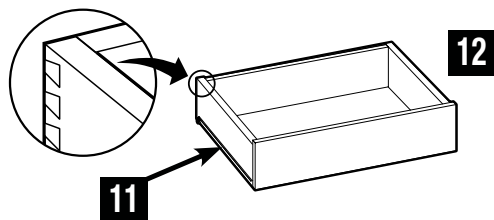
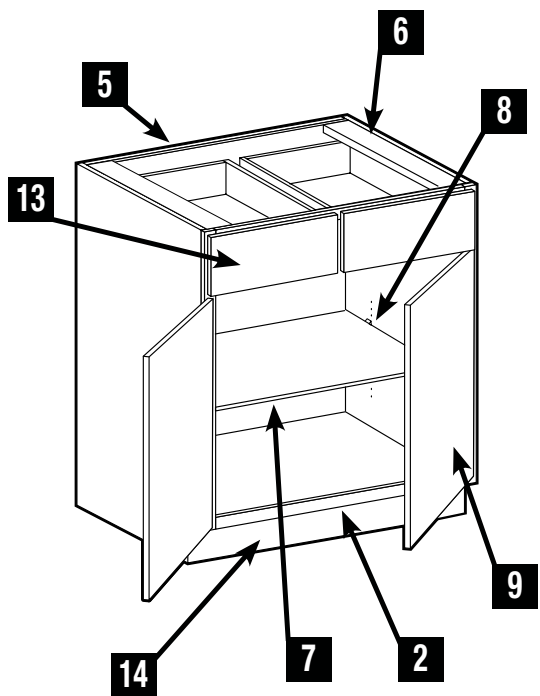
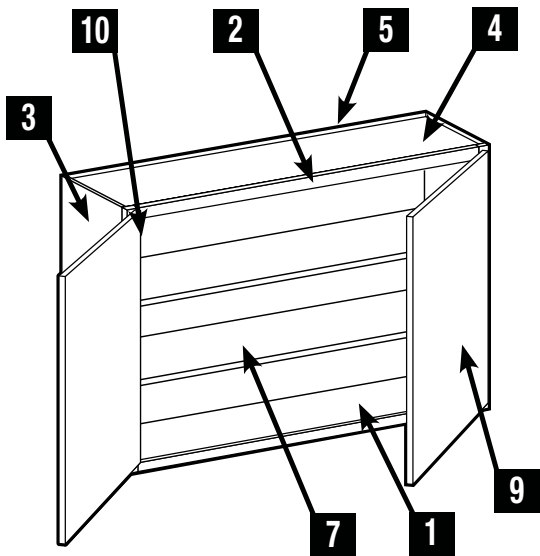
**FINISH**



- ¾" thick engineered wood flat panel door with melamine laminate
- ¾" thick engineered wood flat panel drawer front with melamine laminate
- RTF and melamine door styles require a (Heat\_Shield) to protect doors and drawers from heat-emitting appliances. See page 79 for details

- Soft-close 6-way adjustable hinges and full-extension drawer glides
- Decorative hardware required
- Glass doors are not available
- No door option available

# STANDARD CABINET CONSTRUCTION



<b>1</b>	<b>INTERIOR</b>	Natural birch finish that provides a durable, wipe clean surface.
<b>2</b>	<b>FACE FRAME</b>	1½" wide x ¾" thick solid hardwood and pocket screwed.
<b>3</b>	<b>END PANELS</b>	½" thick CARB2 compliant plywood finished to match the cabinet face frame.
<b>4</b>	<b>FLOOR &amp; CEILING</b>	½" thick CARB2 compliant plywood. Both sides are captured by the cabinet end panels.
<b>5</b>	<b>BACK PANELS</b>	½" thick CARB2 compliant plywood with a natural birch finished interior and raw exterior. The "clipped" back panel on corner cabinets is ¼" thick CARB2 compliant plywood.
<b>6</b>	<b>"I-BEAM" SUPPORTS</b>	½" thick CARB2 compliant plywood. These full-depth braces provide stability and support for countertop attachment.
<b>7</b>	<b>ADJUSTABLE SHELVES</b>	¾" thick CARB2 compliant plywood with a natural birch finish and matching edge banding. Shelves are full-depth and have a 15 lb. per sq. ft. weight capacity rating.
<b>8</b>	<b>SHELF SUPPORTS</b>	Clear, high-strength plastic shelf supports with a locking top tab help prevent shelf tip.
<b>9</b>	<b>DOORS</b>	Stylish, full-overlay doors available in all collections.
<b>10</b>	<b>HINGES</b>	Fully concealed soft-close 6-way adjustable hinges that open 110°.
<b>11</b>	<b>DRAWER &amp; ROLL-OUT GLIDES</b>	Drawers and roll-out trays feature soft-close, full-extension, undermount glides rated for 90 lb. dynamic loads.
<b>12</b>	<b>DRAWERS &amp; ROLL-OUT TRAYS</b>	⅝" thick finger jointed four-sided dovetail box construction, finished with a clear top coat and a ¼" thick CARB2 compliant plywood captured floor.
<b>13</b>	<b>DRAWER FRONTS</b>	Stylish, full-overlay drawer fronts available in all collections. Deep kitchen and vanity drawer base cabinets feature an 8" top drawer front and 10½" bottom drawer fronts.
<b>14</b>	<b>INTEGRAL TOE KICK</b>	½" thick CARB2 compliant plywood unfinished integral toe kick provides solid backing for (MTK8) Matching Toe Kick installation.



Specifications subject to change without notice.



**FINISHED END OPTIONS**



**1. All Cabinet Sides** are manufactured from 1/2" thick CARB2 compliant plywood and are finished to match the cabinet face frame.



**2. Optional Matching End Panels** are 3/4" thick overlay panels that match the construction of the door style selected. They are available for standard depth base cabinets (MBEP) and standard depth wall cabinets in three heights (MWEP30, MWEP36, MWEP42). Matching End Panels are packaged separately for field installation. Detailed specs for these items can be found on page 76.

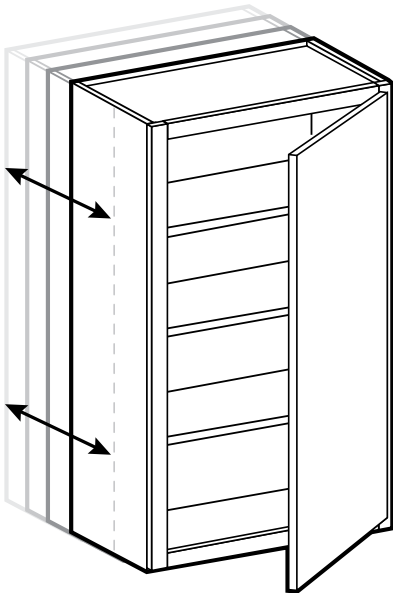
**NEW FREE DEPTH MODIFICATION**

- Available on standard cabinet types in 1" depth increments
- Base cabinets with drawers that are modified from 15" to 23" deep will include working drawers. 9" to 14" deep cabinets will have no drawer and a false drawer front
- Vanity cabinets can be modified by selecting the standard base version. For example: select BD18 instead of a VBD1821 and modify the depth
- Depth Modification changes need to be added to the cabinet before the order is placed. This can be done in your design program or in the shopping cart

**D** Depth Modification

CABINET TYPE	DEPTH MODIFICATION MIN-MAX
12" DEEP WALL	5" to 15"
24" DEEP WALL	16" to 23"
STANDARD BASE*	9" to 23"
BASE DRAWER	15" to 23"
TALL UTILITY/LINEN	9" to 23"

\*9" to 14" deep cabinets will have no drawer and a false drawer front



# MATCHING INTERIOR OPTIONS

---



## Wall Cabinets: Prepped for Glass (PFG)

Found on pages 18-23

- Traditional door frames will be routed and prepped for glass (PFG)
- Clear glass panels will be cut to size and ship separately to the ship-to address for field installation
- It is recommended that the glass panels be installed using clear silicone
- (PFG) cabinet interiors will be finished to match the face frame color, including adjustable shelves
- Not available on RTF or melamine finished door styles



## Wall Cabinets: No Doors (ND)

Found on pages 24-29

- (ND) cabinet interiors will be finished to match the face frame color, including adjustable shelves
- Shelf adjustment holes will be visible on the cabinet back and side panels



## Base Cabinets: No Doors (ND)

Found on page 47

- (ND) cabinet interiors will be finished to match the face frame color, including adjustable shelves
- Shelf adjustment holes will be visible on the cabinet back and side panels



## Tall Cabinets and Vanity Linen Cabinets: Prepped for Glass (PFG)

Found on pages 56-60, 70

- Only the upper door frames will be routed and prepped for glass (PFG)
- (PFG) cabinet interiors will be finished to match the face frame color, including adjustable shelves
- Standard Base, Vanity Base, and lower portion of Tall cabinets are not available for (PFG) as a safety precaution
- Not available on RTF or melamine finished door styles



## Tall Cabinets and Vanity Linen Cabinets: No Doors (ND)

Found on pages 61-62, 71

- (ND) cabinet interiors will be finished to match the face frame color, including adjustable shelves
- Shelf adjustment holes will be visible on the cabinet back and side panels



*Newport Mythic Blue and Newport Pacific White*

Add a new level to your island by using desk height cabinets. These are good for baking areas or a kid's workspace. Use cabinet doors or field trimmable fillers to create a decorative look to the sides of your unique space.



*Newport Deep Onyx*

Turn your laundry room into a room you enjoy being in! Add a large sink and drawers for easy clean-up and storage. Open shelves give easy access and an open feel to your new space.



*Newport Blended Cream*

Make wall storage open and airy using a mix of No Door (ND) and Prepped for Glass (PFG) cabinets together with standard wall cabinets.

## STYLE TIPS

---



To create the apron under the countertop, turn fillers horizontally and cut to fit on the job site.



Want countertop storage that is behind closed doors? Use wall bridge cabinets in 18" high, placed under standard wall cabinets to create this space. You can add dimension to your kitchen by making these cabinets 15" deep, and gain extra storage as well! No door bridge cabinets can help create an open feel to your space. Placing these above a baking area or desk area can give easy access to cookbooks, mixing bowls or nice décor! Make sure to purchase a skin to conceal any seams.

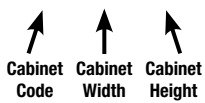


Using a full-height door cabinet for your sink base can add a modern twist to your traditional kitchen. Make your new kitchen transitional!

## WALL CABINET CODING

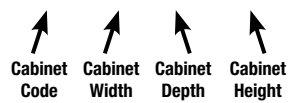
### STANDARD (12" DEEP)

**W 30 30**



### REFRIGERATOR (24" DEEP)

**W 36 24 18**

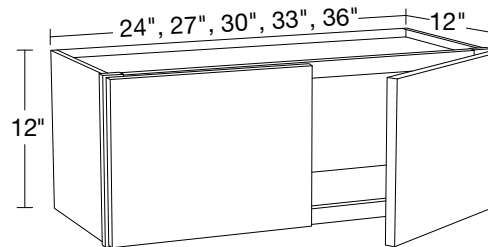


- All wall cabinets are 12" deep unless otherwise noted. Refrigerator wall cabinets are 24" deep
- Cabinet depth does not include door thickness
- Products are available in all door styles unless stated otherwise
- Standard cabinet exterior sides are color matched to face frame
- Soft-close hinges unless stated otherwise
- RTF and melamine door styles require a (Heat\_Shield) to protect doors and drawers from heat-emitting appliances. See page 79 for details

### 12" High Double Door

- No adjustable shelf
- **NEW** FREE Depth Modification: 5" to 15" deep

**D**

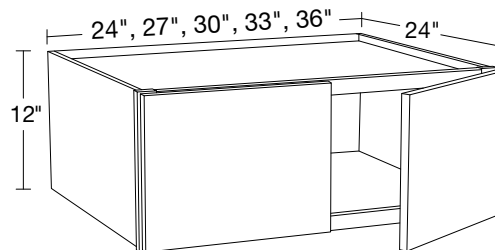


**W2412**  
**W2712**  
**W3012**  
**W3312**  
**W3612**

### 12" High x 24" Deep Double Door

- No adjustable shelf
- Must be supported from back and both sides
- **NEW** FREE Depth Modification: 16" to 23" deep

**D**

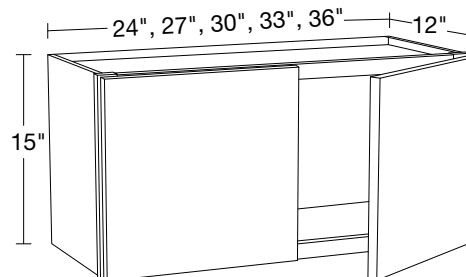


**W242412**  
**W272412**  
**W302412**  
**W332412**  
**W362412**

### 15" High Double Door

- No adjustable shelf
- **NEW** FREE Depth Modification: 5" to 15" deep

**D**



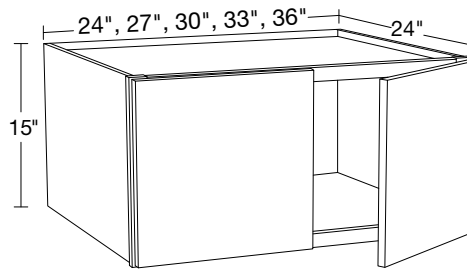
**W2415**  
**W2715**  
**W3015**  
**W3315**  
**W3615**

# WALL CABINETS

## 15" High x 24" Deep Double Door

- No adjustable shelf
- Must be supported from back and both sides
- **NEW** FREE Depth Modification: 16" to 23" deep

**D**

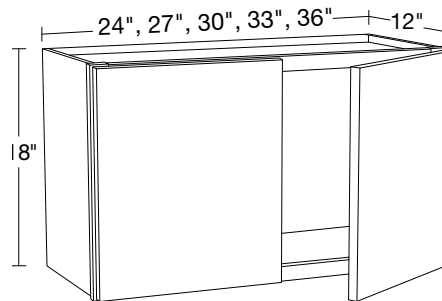


W242415  
W272415  
W302415  
W332415  
W362415

## 18" High Double Door

- No adjustable shelf
- **NEW** FREE Depth Modification: 5" to 15" deep

**D**

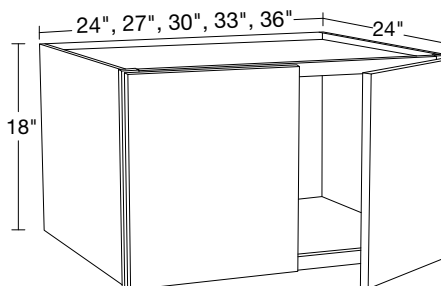


W2418  
W2718  
W3018  
W3318  
W3618

## 18" High x 24" Deep Double Door

- No adjustable shelf
- Must be supported from back and both sides
- **NEW** FREE Depth Modification: 16" to 23" deep

**D**

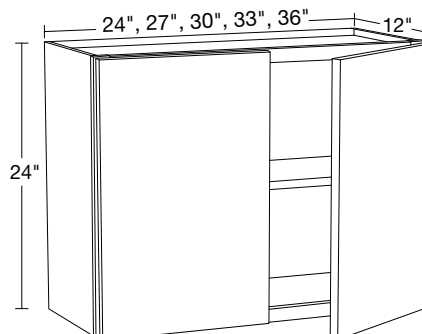


W242418  
W272418  
W302418  
W332418  
W362418

## 24" High Double Door

- One adjustable shelf
- **NEW** FREE Depth Modification: 5" to 15" deep

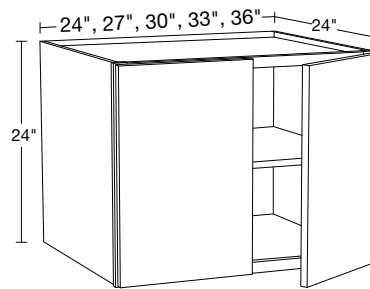
**A** **D**



W2424  
W2724  
W3024  
W3324  
W3624

## 24" High x 24" Deep Double Door

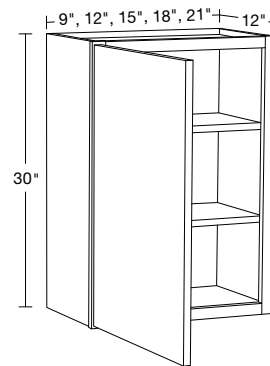
- One adjustable shelf
- Must be supported from back and both sides
- **NEW** FREE Depth Modification: 16" to 23" deep



W242424  
W272424  
W302424  
W332424  
W362424

## 30" High Single Door

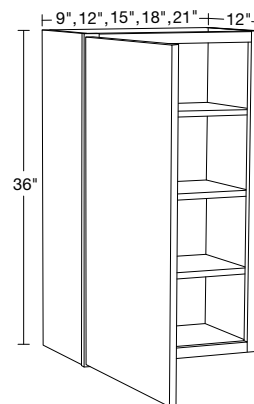
- Two adjustable shelves
- 9" wide and smaller doors will not feature a raised center panel
- Specify Right or Left hinge, Left hinge shown
- **NEW** FREE Depth Modification: 5" to 15" deep



W0930  
W1230  
W1530  
W1830  
W2130

## 36" High Single Door

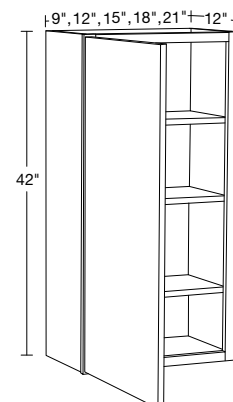
- Three adjustable shelves
- 9" wide and smaller doors will not feature a raised center panel
- Specify Right or Left hinge, Left hinge shown
- **NEW** FREE Depth Modification: 5" to 15" deep



W0936  
W1236  
W1536  
W1836  
W2136

## 42" High Single Door

- Three adjustable shelves
- 9" wide and smaller doors will not feature a raised center panel
- Specify Right or Left hinge, Left hinge shown
- **NEW** FREE Depth Modification: 5" to 15" deep

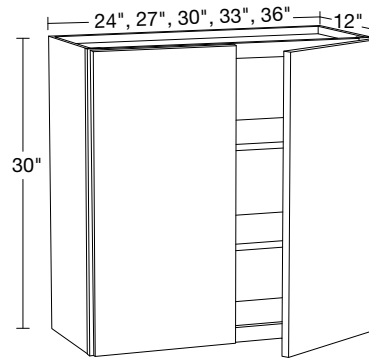


W0942  
W1242  
W1542  
W1842  
W2142

# WALL CABINETS

## 30" High Double Door

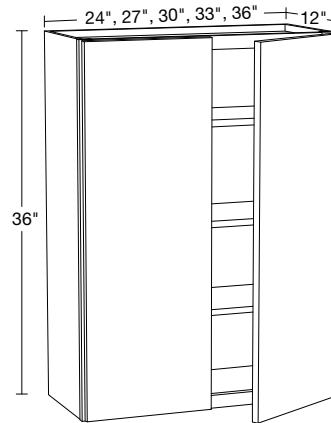
- Two adjustable shelves
- **NEW** FREE Depth Modification: 5" to 15" deep



W2430  
W2730  
W3030  
W3330  
W3630

## 36" High Double Door

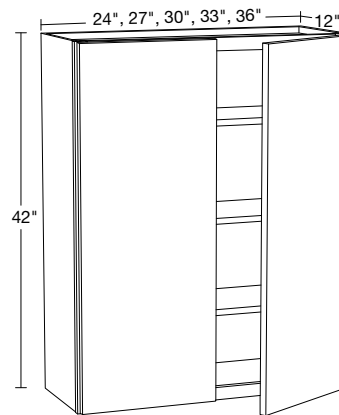
- Three adjustable shelves
- **NEW** FREE Depth Modification: 5" to 15" deep



W2436  
W2736  
W3036  
W3336  
W3636

## 42" High Double Door

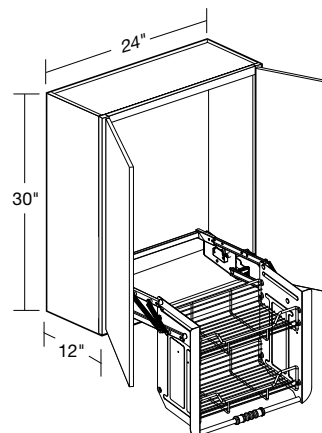
- Three adjustable shelves
- **NEW** FREE Depth Modification: 5" to 15" deep



W2442  
W2742  
W3042  
W3342  
W3642

## 30" High Double Door with Pull-Down Chrome Shelves

- Field install at desired height in cabinet
- Two tier chrome shelves lowers 10" and brings items forward 14<sup>3</sup>/<sub>4</sub>"
- Gas assisted mechanism smoothly raises and lowers unit
- Locking arm feature holds shelf in down position
- No adjustable shelf



W2430-PDSCR

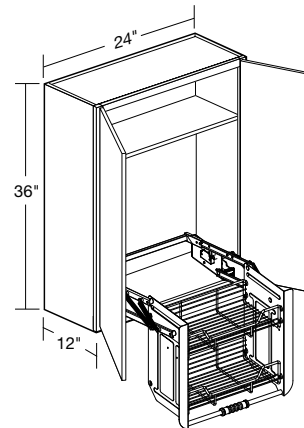


## 36" High Double Door with Pull-Down Chrome Shelves

W2436-PDSCR

- Field install at desired height in cabinet
- Two tier chrome shelves lowers 10" and brings items forward 14¾"
- Gas assisted mechanism smoothly raises and lowers unit
- Locking arm feature holds shelf in down position
- One adjustable shelf

F A

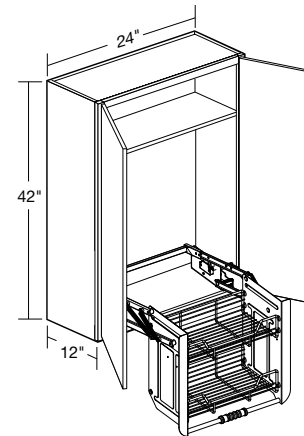


## 42" High Double Door with Pull-Down Chrome Shelves

W2442-PDSCR

- Field install at desired height in cabinet
- Two tier chrome shelves lowers 10" and brings items forward 14¾"
- Gas assisted mechanism smoothly raises and lowers unit
- Locking arm feature holds shelf in down position
- One adjustable shelf

F A

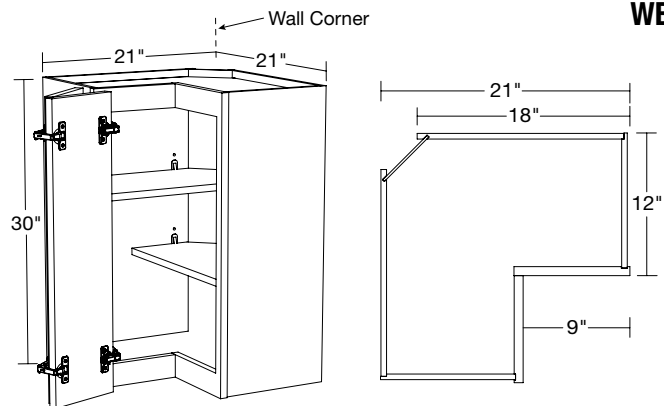


## 30" High Wall Easy Reach

WEZR2130

- Two straight adjustable shelves
- Bi-fold style door allows full access to the entire cabinet interior
- Clip corner back provides clearance for installation
- Clip corner back is ¼" plywood
- 9" wide and smaller doors will not feature a raised center panel
- Specify Right or Left hinge, Left hinge shown
- **SOFT-CLOSE DOOR (SCD) OPTION NOT AVAILABLE**

A H



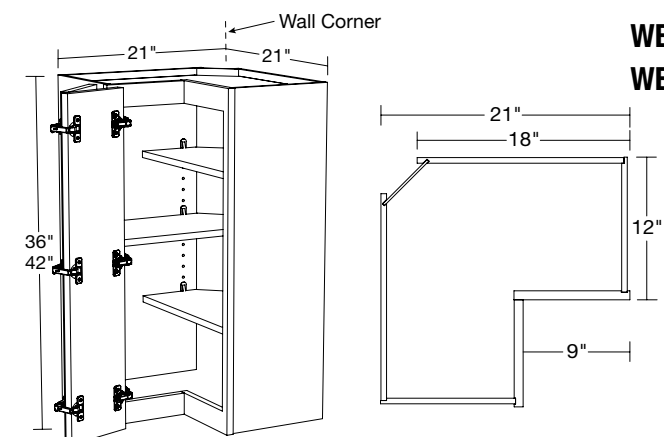
## 36" and 42" High Wall Easy Reach

WEZR2136

WEZR2142

- Three straight adjustable shelves
- Bi-fold style door allows full access to the entire cabinet interior
- Clip corner back provides clearance for installation
- Clip corner back is ¼" plywood
- 9" wide and smaller doors will not feature a raised center panel
- Specify Right or Left hinge, Left hinge shown
- **SOFT-CLOSE DOOR (SCD) OPTION NOT AVAILABLE**

A H

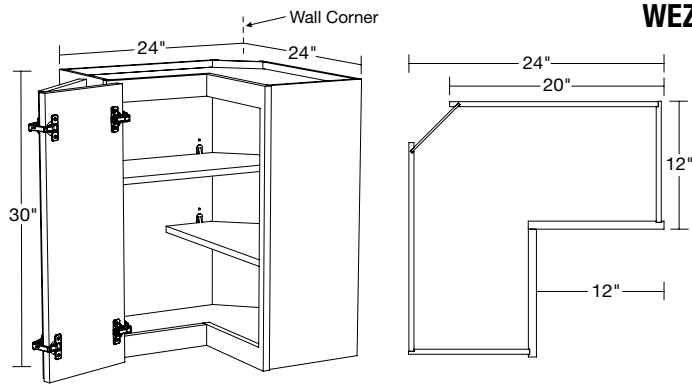


# WALL CABINETS

## 30" High Wall Easy Reach

- Two straight adjustable shelves
- Bi-fold style door allows full access to the entire cabinet interior
- Clip corner back provides clearance for installation
- Clip corner back is 1/4" plywood
- Specify Right or Left hinge, Left hinge shown
- **SOFT-CLOSE DOOR (SCD) OPTION NOT AVAILABLE**

**A H**

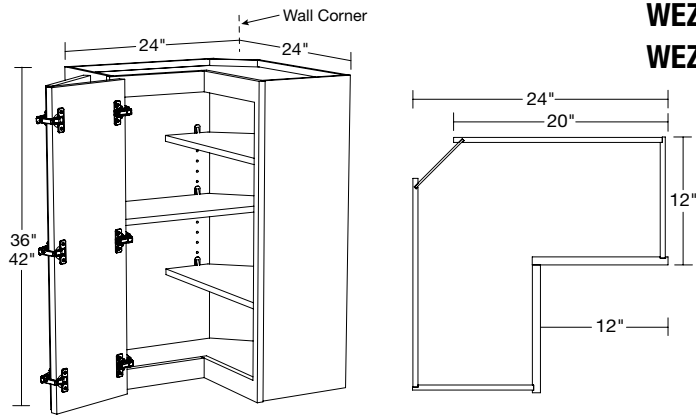


**WEZR2430**

## 36" and 42" High Wall Easy Reach

- Three straight adjustable shelves
- Bi-fold door allows full access to the entire cabinet interior
- Clip corner back provides clearance for installation
- Clip corner back is 1/4" plywood
- Specify Right or Left hinge, Left hinge shown
- **SOFT-CLOSE DOOR (SCD) OPTION NOT AVAILABLE**

**A H**



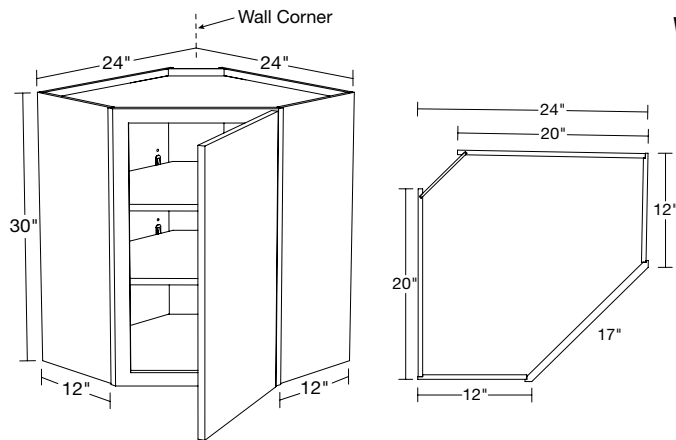
**WEZR2436**

**WEZR2442**

## 30" High Wall Angle

- Two adjustable shelves
- Clip corner back provides clearance for installation
- Clip corner back is 1/4" plywood
- Specify Right or Left hinge, Right hinge shown

**A H**

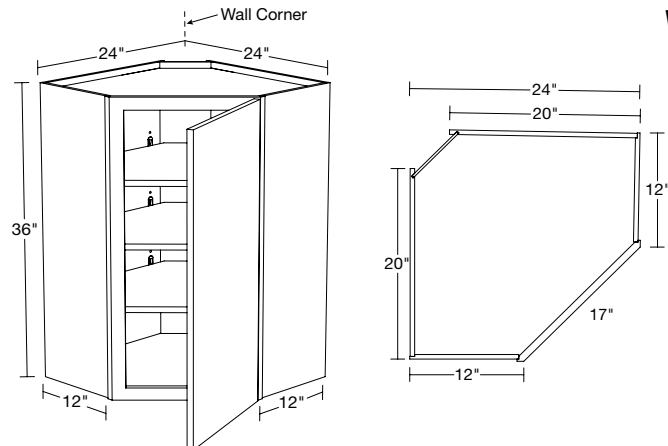


**WA2430**

## 36" High Wall Angle

- Three adjustable shelves
- Clip corner back provides clearance for installation
- Clip corner back is 1/4" plywood
- Specify Right or Left hinge, Right hinge shown

**A H**

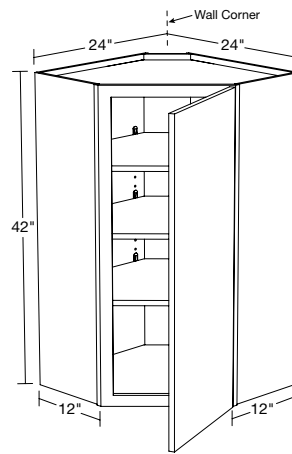


**WA2436**

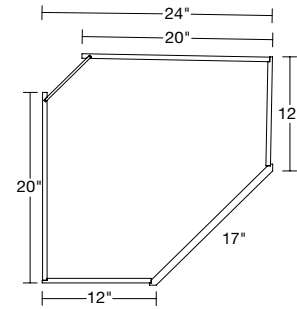
## 42" High Wall Angle

- Three adjustable shelves
- Clip corner back provides clearance for installation
- Clip corner back is ¼" plywood
- Specify Right or Left hinge, Right hinge shown

**A H**



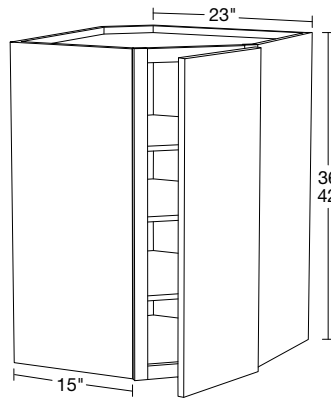
**WA2442**



## 36" and 42" High x 15" Deep Wall Angle

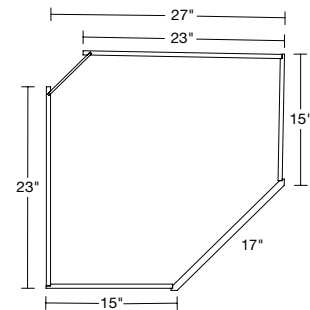
- Three adjustable shelves
- Clip corner back provides clearance for installation
- Clip corner back is ¼" plywood
- Specify Right or Left hinge, Right hinge shown

**A H**



**WA271536**

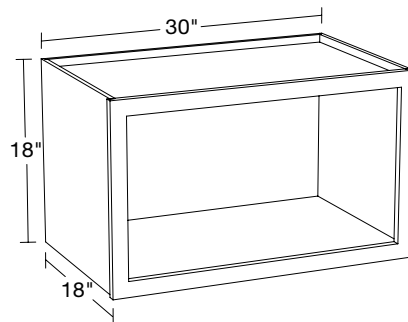
**WA271542**



## Wall Microwave Cabinet

- Matching interior and exterior sides standard
- Best installed between two cabinets or cabinet and wall if possible
- Cannot be installed against Wall Angle cabinet (WA) or Wall Blind Corner Unit (WBCU)

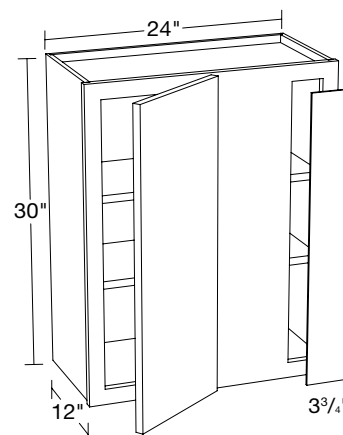
**WMC301818ND**



## 30" High Wall Blind Corner Unit

- Two adjustable shelves
- Cabinet can be pulled for exact fit (see installation guide)
- 3" wide filler included
- 3¾" wide blind closure panel included - field installed
- Door width is 11¾"
- Specify Right or Left hinge, Right hinge shown
- Specify Right or Left blind, Right blind shown
- **NEW** FREE Depth Modification: 5" to 15" deep

**F A H D**

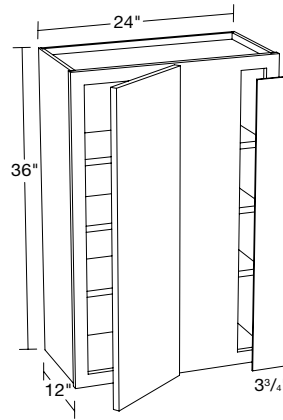


**WBCU2730**

# WALL CABINETS

## 36" High Wall Blind Corner Unit

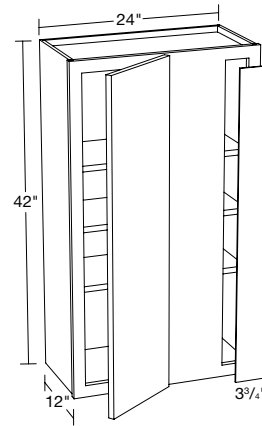
- Three adjustable shelves
- Cabinet can be pulled for exact fit (see installation guide)
- 3" wide filler included
- 3¾" wide blind closure panel included - field installed
- Door width is 11¾"
- Specify Right or Left hinge, Right hinge shown
- Specify Right or Left blind, Right blind shown
- **NEW** FREE Depth Modification: 5" to 15" deep



**WBCU2736**

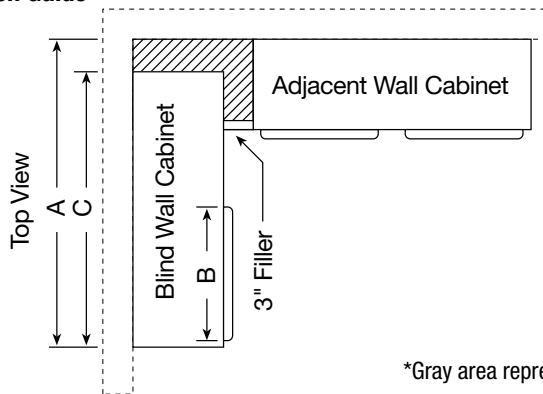
## 42" High Wall Blind Corner Unit

- Three adjustable shelves
- Cabinet can be pulled for exact fit (see installation guide)
- 3" wide filler included
- 3¾" wide blind closure panel included - field installed
- Door width is 11¾"
- Specify Right or Left hinge, Right hinge shown
- Specify Right or Left blind, Right blind shown
- **NEW** FREE Depth Modification: 5" to 15" deep



**WBCU2742**

## Blind Corner Installation Guide

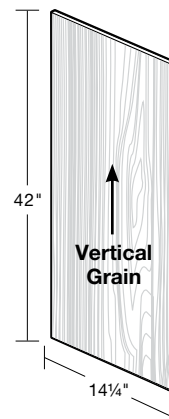


BLIND WALL INSTALLATION GUIDE			
Cabinet	Wall Space "A"	Frame Opening	Cabinet
	Min - Max	Width "B"	Width "C"
WBCU2730	25" - 30"	8 <sup>7</sup> / <sub>8</sub> "	24"
WBCU2736	25" - 30"	8 <sup>7</sup> / <sub>8</sub> "	24"
WBCU2742	25" - 30"	8 <sup>7</sup> / <sub>8</sub> "	24"

\*Gray area represents empty space. Cabinet is designed to be pulled for exact space.

## Wall Skin

- 1/8" thick plywood panel finished to match the cabinet face frame
- Can be field modified for shallower depth or shorter wall cabinets
- Field installed

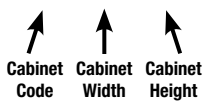


**WSK1542**

## WALL CABINET CODING

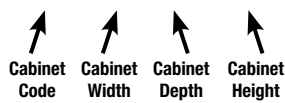
### STANDARD (12" DEEP)

**W 30 30**



### REFRIGERATOR (24" DEEP)

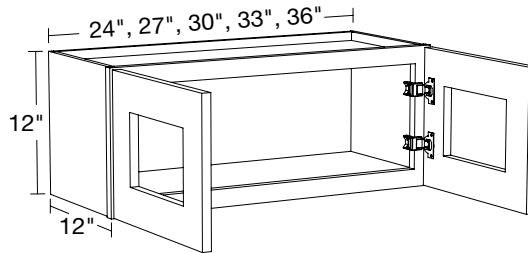
**W 36 24 18**



- All wall cabinets are 12" deep unless otherwise noted. Refrigerator wall cabinets are 24" deep
- Cabinet depth does not include door thickness
- Not available on RTF or melamine finished door styles
- Standard cabinet exterior sides are color matched to face frame
- Clear glass ships separate from cabinets and is field installed
- Matching interior is standard on PFG cabinets
- Soft-close hinges unless stated otherwise
- RTF and melamine door styles require a (Heat\_Shield) to protect doors and drawers from heat-emitting appliances. See page 79 for details
- **Shelf adjustment holes on the interior sides and back of cabinet will be visible**

### 12" High Double Door

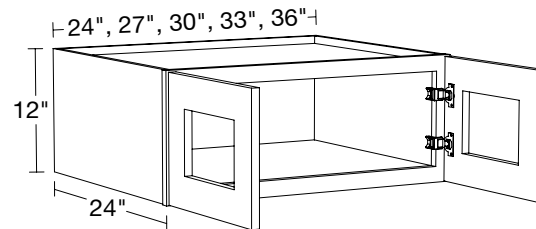
- No adjustable shelf
- **NEW** FREE Depth Modification: 5" to 15" deep



**W2412PFG**  
**W2712PFG**  
**W3012PFG**  
**W3312PFG**  
**W3612PFG**

### 12" High x 24" Deep Double Door

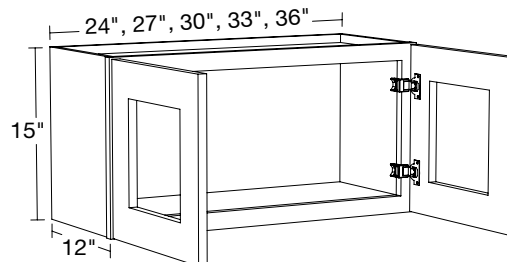
- No adjustable shelf
- Must be supported from back and both sides
- **NEW** FREE Depth Modification: 16" to 23" deep



**W242412PFG**  
**W272412PFG**  
**W302412PFG**  
**W332412PFG**  
**W362412PFG**

### 15" High Double Door

- No adjustable shelf
- **NEW** FREE Depth Modification: 5" to 15" deep

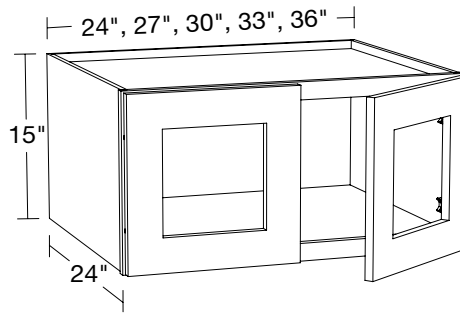


**W2415PFG**  
**W2715PFG**  
**W3015PFG**  
**W3315PFG**  
**W3615PFG**

# WALL CABINETS WITH GLASS DOORS

## 15" High x 24" Deep Double Door

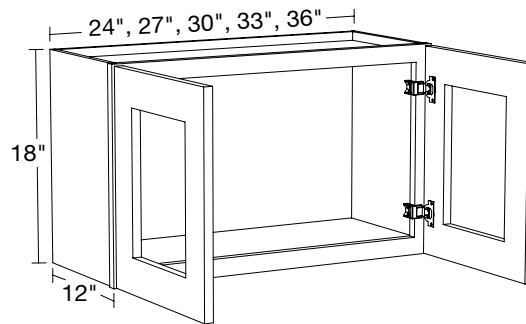
- No adjustable shelf
- Must be supported from back and both sides
- **NEW** FREE Depth Modification: 16" to 23" deep



W242415PFG  
W272415PFG  
W302415PFG  
W332415PFG  
W362415PFG

## 18" High Double Door

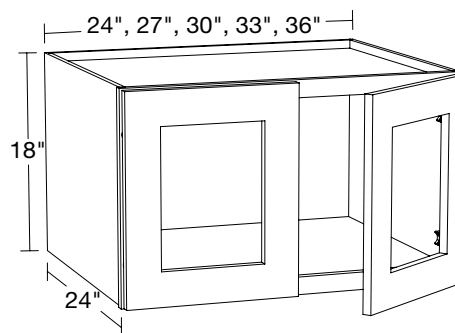
- No adjustable shelf
- **NEW** FREE Depth Modification: 5" to 15" deep



W2418PFG  
W2718PFG  
W3018PFG  
W3318PFG  
W3618PFG

## 18" High x 24" Deep Double Door

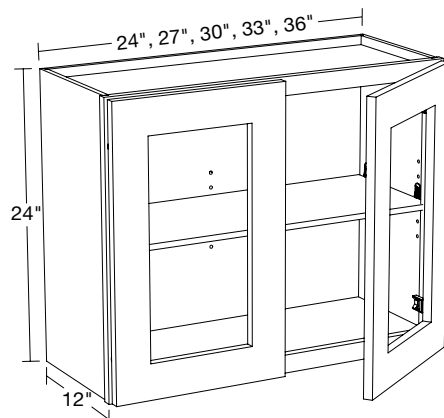
- No adjustable shelf
- Must be supported from back and both sides
- **NEW** FREE Depth Modification: 16" to 23" deep



W242418PFG  
W272418PFG  
W302418PFG  
W332418PFG  
W362418PFG

## 24" High Double Door

- One adjustable shelf that matches cabinet face frame
- **NEW** FREE Depth Modification: 5" to 15" deep

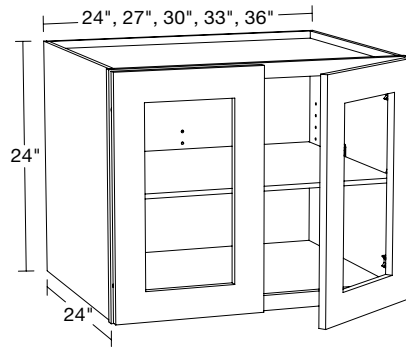


W2424PFG  
W2724PFG  
W3024PFG  
W3324PFG  
W3624PFG

# WALL CABINETS WITH GLASS DOORS

## 24" High x 24" Deep Double Door

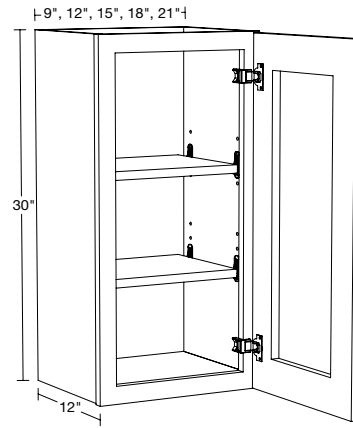
- One adjustable shelf that matches cabinet face frame
- Must be supported from back and both sides
- **NEW** FREE Depth Modification: 16" to 23" deep



W242424PFG  
W272424PFG  
W302424PFG  
W332424PFG  
W362424PFG

## 30" High Single Door

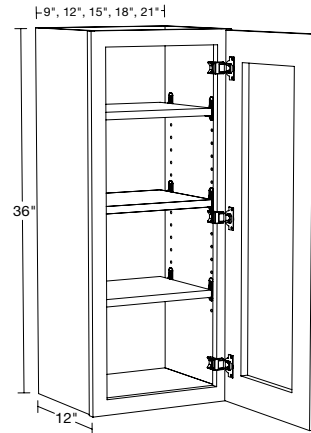
- Two adjustable shelves that match cabinet face frame
- Specify Right or Left hinge, Right hinge shown
- **NEW** FREE Depth Modification: 5" to 15" deep



W0930PFG  
W1230PFG  
W1530PFG  
W1830PFG  
W2130PFG

## 36" High Single Door

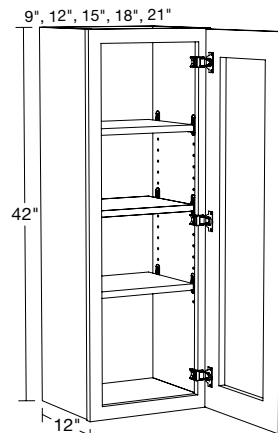
- Three adjustable shelves that match cabinet face frame
- Specify Right or Left hinge, Right hinge shown
- **NEW** FREE Depth Modification: 5" to 15" deep



W0936PFG  
W1236PFG  
W1536PFG  
W1836PFG  
W2136PFG

## 42" High Single Door

- Three adjustable shelves that match cabinet face frame
- Specify Right or Left hinge, Right hinge shown
- **NEW** FREE Depth Modification: 5" to 15" deep

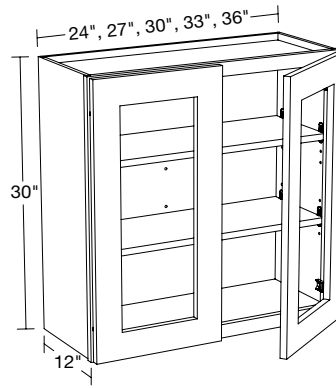


W0942PFG  
W1242PFG  
W1542PFG  
W1842PFG  
W2142PFG

# WALL CABINETS WITH GLASS DOORS

## 30" High Double Door

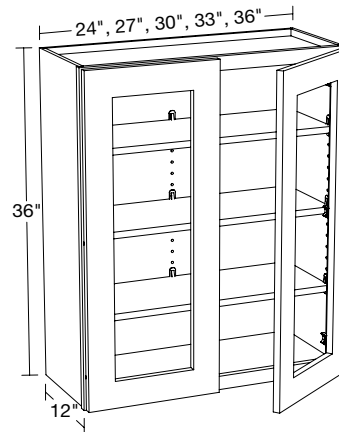
- Two adjustable shelves that match cabinet face frame
- **NEW** FREE Depth Modification: 5" to 15" deep



W2430PFG  
W2730PFG  
W3030PFG  
W3330PFG  
W3630PFG

## 36" High Double Door

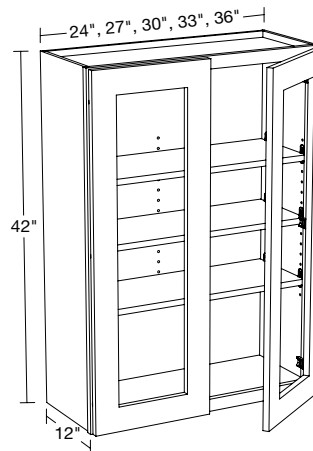
- Three adjustable shelves that match cabinet face frame
- **NEW** FREE Depth Modification: 5" to 15" deep



W2436PFG  
W2736PFG  
W3036PFG  
W3336PFG  
W3636PFG

## 42" High Double Door

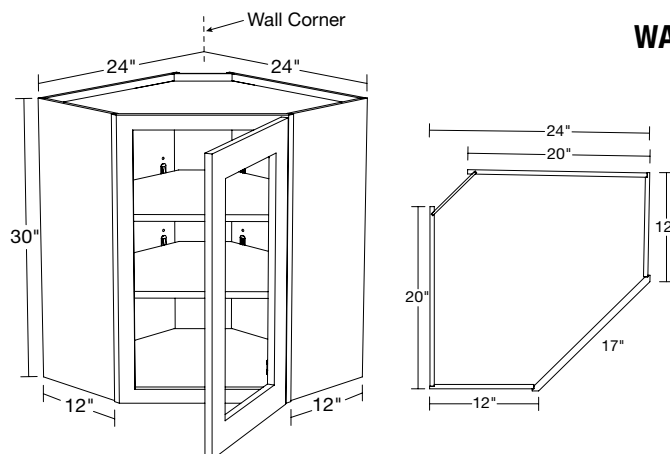
- Three adjustable shelves that match cabinet face frame
- **NEW** FREE Depth Modification: 5" to 15" deep



W2442PFG  
W2742PFG  
W3042PFG  
W3342PFG  
W3642PFG

## 30" High Wall Angle

- Two adjustable shelves that match cabinet face frame
- Clip corner back provides clearance for installation
- Clip corner back is 1/4" plywood
- Specify Right or Left hinge, Right hinge shown



WA2430PFG

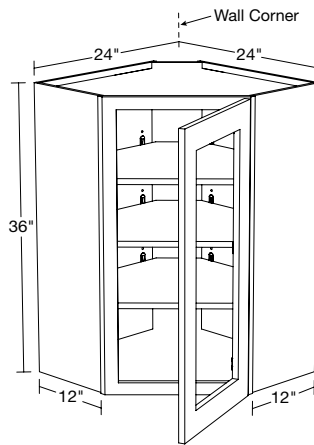


# WALL CABINETS WITH GLASS DOORS

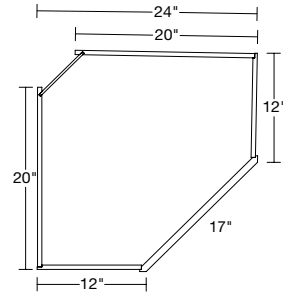
## 36" High Wall Angle

- Three adjustable shelves that match cabinet face frame
- Clip corner back provides clearance for installation
- Clip corner back is 1/4" plywood
- Specify Right or Left hinge, Right hinge shown

F A H



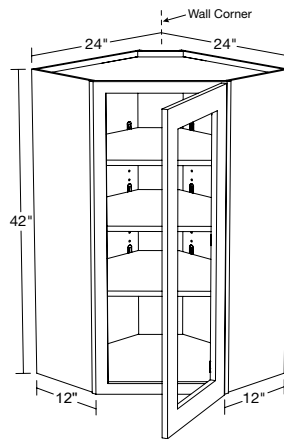
WA2436PFG



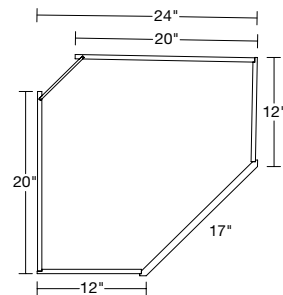
## 42" High Wall Angle

- Three adjustable shelves that match cabinet face frame
- Clip corner back provides clearance for installation
- Clip corner back is 1/4" plywood
- Specify Right or Left hinge, Right hinge shown

F A H



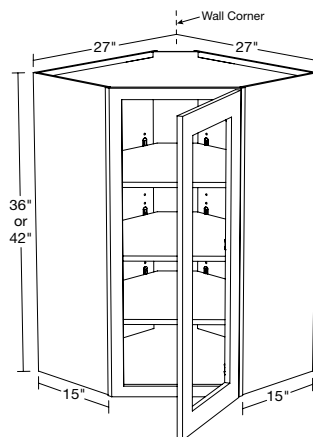
WA2442PFG



## 36" and 42" High x 15" Deep Wall Angle

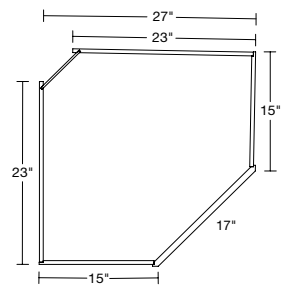
- Three adjustable shelves that match cabinet face frame
- Clip corner back provides clearance for installation
- Clip corner back is 1/4" plywood
- Specify Right or Left hinge, Right hinge shown

F A H



WA271536PFG

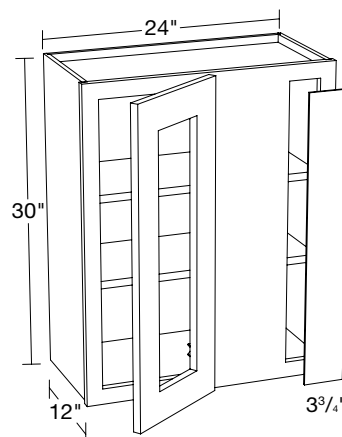
WA271542PFG



## 30" High Wall Blind Corner Unit

- Two adjustable shelves that match cabinet face frame
- Cabinet can be pulled for exact fit (see installation guide)
- 3" wide filler included
- 3 3/4" wide blind closure panel included - field installed
- Door width is 11 3/4"
- Specify Right or Left hinge, Right hinge shown
- Specify Right or Left blind, Right blind shown
- **NEW** FREE Depth Modification: 5" to 15" deep

F A H D

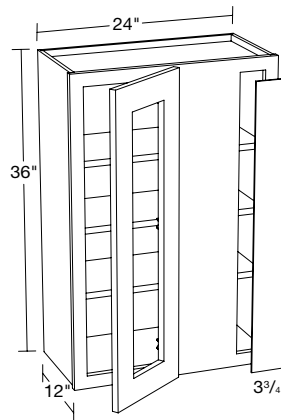


WBCU2730PFG

# WALL CABINETS WITH GLASS DOORS

## 36" High Wall Blind Corner Unit

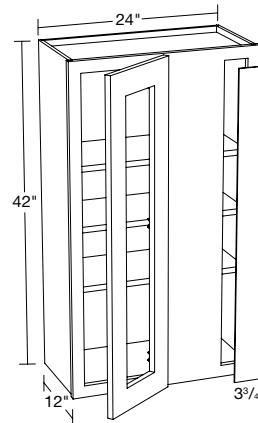
- Three adjustable shelves that match cabinet face frame
- Cabinet can be pulled for exact fit (see installation guide)
- 3" wide filler included
- 3¾" wide blind closure panel included - field installed
- Door width is 11¾"
- Specify Right or Left hinge, Right hinge shown
- Specify Right or Left blind, Right blind shown
- **NEW** FREE Depth Modification: 5" to 15" deep



**WBCU2736PFG**

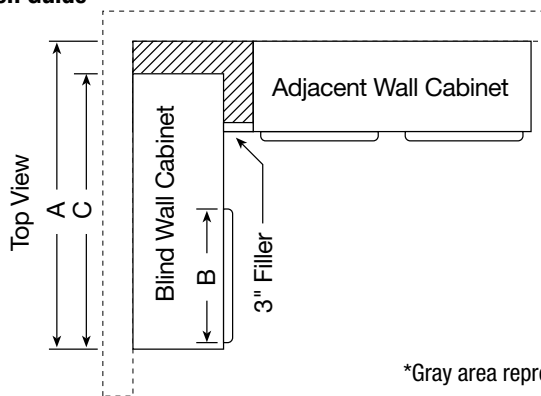
## 42" High Wall Blind Corner Unit

- Three adjustable shelves that match cabinet face frame
- Cabinet can be pulled for exact fit (see installation chart)
- 3" wide filler included
- 3¾" wide blind closure panel included - field installed
- Door width is 11¾"
- Specify Right or Left hinge, Right hinge shown
- Specify Right or Left blind, Right blind shown
- **NEW** FREE Depth Modification: 5" to 15" deep



**WBCU2742PFG**

## Blind Corner Installation Guide



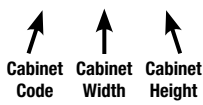
BLIND WALL INSTALLATION GUIDE			
Cabinet	Wall Space "A"	Frame Opening	Cabinet
	Min - Max	Width "B"	Width "C"
WBCU2730	25" - 30"	8 <sup>7</sup> / <sub>8</sub> "	24"
WBCU2736	25" - 30"	8 <sup>7</sup> / <sub>8</sub> "	24"
WBCU2742	25" - 30"	8 <sup>7</sup> / <sub>8</sub> "	24"

\*Gray area represents empty space. Cabinet is designed to be pulled for exact space.

## WALL CABINET CODING

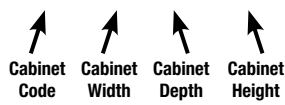
### STANDARD (12" DEEP)

**W 30 30**



### REFRIGERATOR (24" DEEP)

**W 36 24 18**

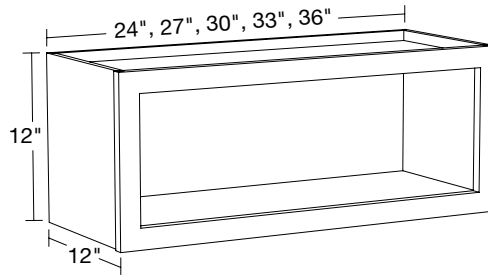


- All wall cabinets are 12" deep unless otherwise noted. Refrigerator wall cabinets are 24" deep
- Standard cabinet exterior sides are color matched to face frame
- Matching interior is standard on ND cabinets
- **Shelf adjustment holes on the interior sides and back of cabinet will be visible**

### 12" High No Door

- No adjustable shelf
- **NEW** FREE Depth Modification: 5" to 15" deep

**D**

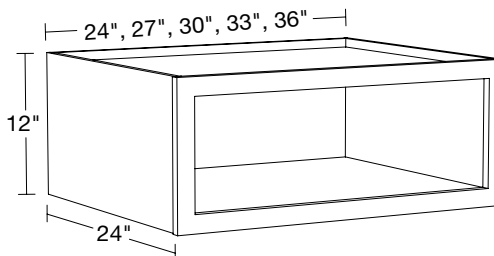


**W2412ND**  
**W2712ND**  
**W3012ND**  
**W3312ND**  
**W3612ND**

### 12" High x 24" Deep No Door

- No adjustable shelf
- Must be supported from back and both sides
- **NEW** FREE Depth Modification: 16" to 23" deep

**D**

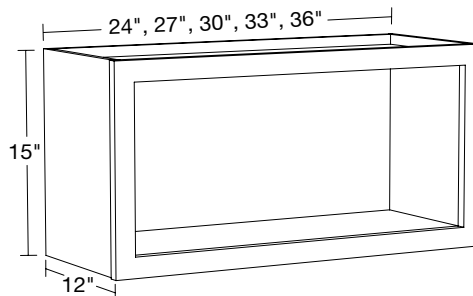


**W242412ND**  
**W272412ND**  
**W302412ND**  
**W332412ND**  
**W362412ND**

### 15" High No Door

- No adjustable shelf
- **NEW** FREE Depth Modification: 5" to 15" deep

**D**

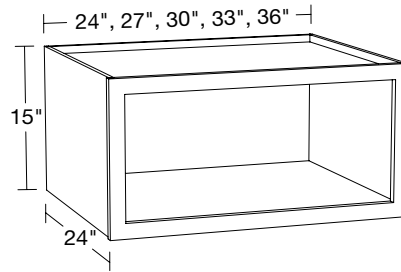


**W2415ND**  
**W2715ND**  
**W3015ND**  
**W3315ND**  
**W3615ND**

# WALL CABINETS WITH NO DOORS

## 15" High x 24" Deep No Door

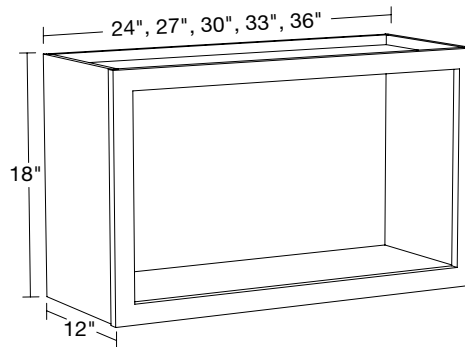
- No adjustable shelf
- Must be supported from back and both sides
- **NEW** FREE Depth Modification: 16" to 23" deep



W242415ND  
W272415ND  
W302415ND  
W332415ND  
W362415ND

## 18" High No Door

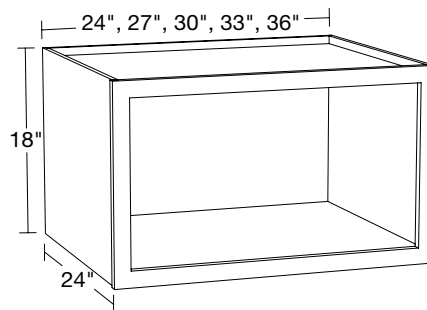
- No adjustable shelf
- **NEW** FREE Depth Modification: 5" to 15" deep



W2418ND  
W2718ND  
W3018ND  
W3318ND  
W3618ND

## 18" High x 24" Deep No Door

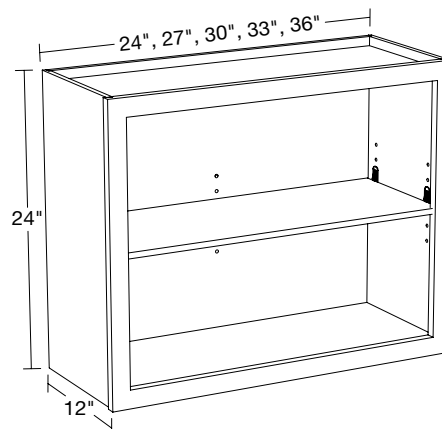
- No adjustable shelf
- Must be supported from back and both sides
- **NEW** FREE Depth Modification: 16" to 23" deep



W242418ND  
W272418ND  
W302418ND  
W332418ND  
W362418ND

## 24" High No Door

- One adjustable shelf that matches cabinet face frame
- **NEW** FREE Depth Modification: 5" to 15" deep

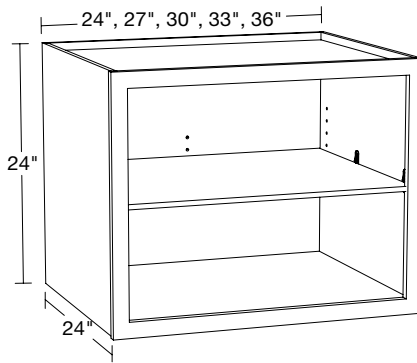


W2424ND  
W2724ND  
W3024ND  
W3324ND  
W3624ND

# WALL CABINETS WITH NO DOORS

## 24" High x 24" Deep No Door

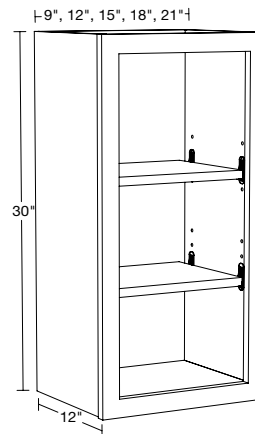
- One adjustable shelf that matches cabinet face frame
- Must be supported from back and both sides
- **NEW** FREE Depth Modification: 16" to 23" deep



W242424ND  
W272424ND  
W302424ND  
W332424ND  
W362424ND

## 30" High No Door

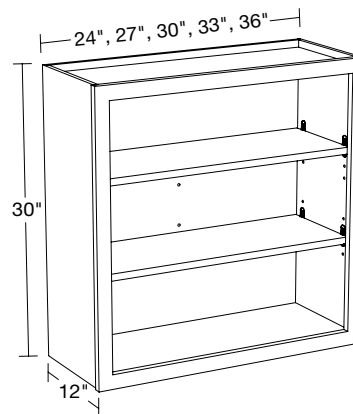
- Two adjustable shelves that match cabinet face frame
- **NEW** FREE Depth Modification: 5" to 15" deep



W0930ND  
W1230ND  
W1530ND  
W1830ND  
W2130ND

## 30" High No Door

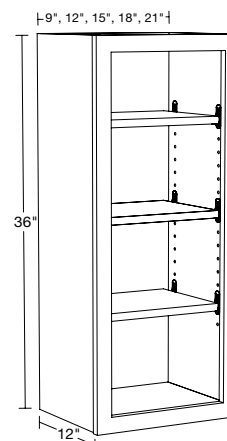
- Two adjustable shelves that match cabinet face frame
- **NEW** FREE Depth Modification: 5" to 15" deep



W2430ND  
W2730ND  
W3030ND  
W3330ND  
W3630ND

## 36" High No Door

- Three adjustable shelves that match cabinet face frame
- **NEW** FREE Depth Modification: 5" to 15" deep

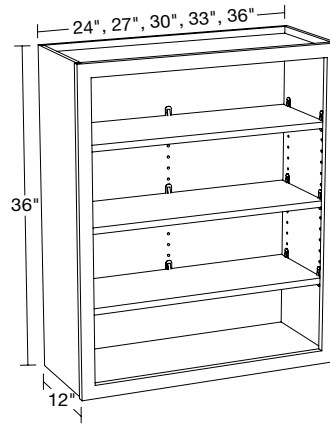


W0936ND  
W1236ND  
W1536ND  
W1836ND  
W2136ND

# WALL CABINETS WITH NO DOORS

## 36" High No Door

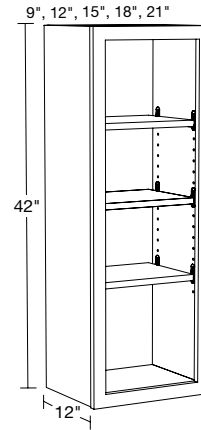
- Three adjustable shelves that match cabinet face frame
- **NEW** FREE Depth Modification: 5" to 15" deep



W2436ND  
W2736ND  
W3036ND  
W3336ND  
W3636ND

## 42" High No Door

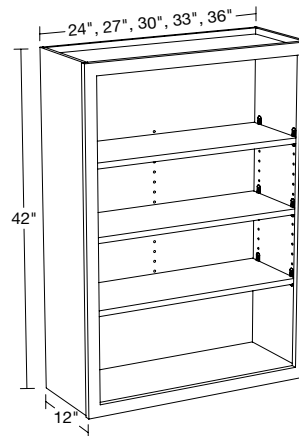
- Three adjustable shelves that match cabinet face frame
- **NEW** FREE Depth Modification: 5" to 15" deep



W0942ND  
W1242ND  
W1542ND  
W1842ND  
W2142ND

## 42" High No Door

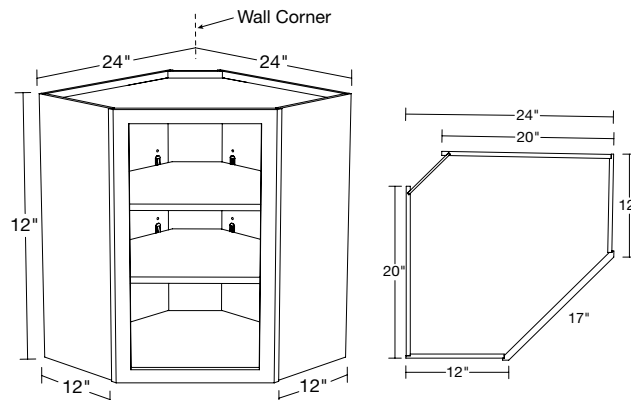
- Three adjustable shelves that match cabinet face frame
- **NEW** FREE Depth Modification: 5" to 15" deep



W2442ND  
W2742ND  
W3042ND  
W3342ND  
W3642ND

## 30" High Wall Angle

- Two adjustable shelves that match cabinet face frame
- Clip corner back provides clearance for installation
- Clip corner back is 1/4" plywood



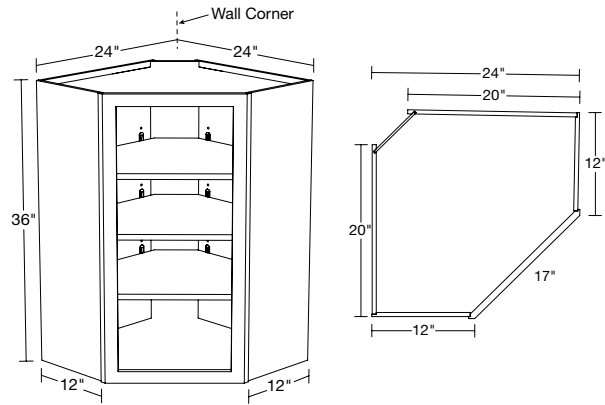
WA2430ND

# WALL CABINETS WITH NO DOORS

## 36" High Wall Angle

- Three adjustable shelves that match cabinet face frame
- Clip corner back provides clearance for installation
- Clip corner back is 1/4" plywood

A

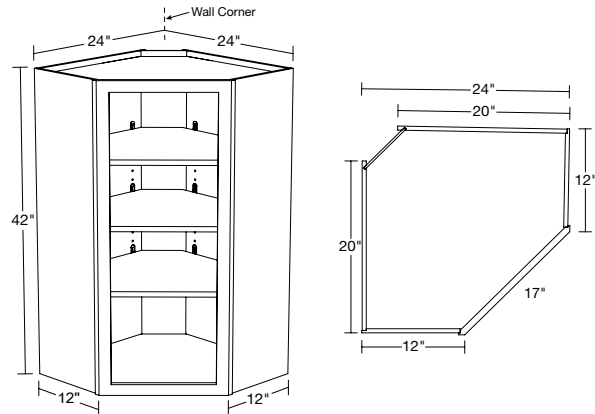


WA2436ND

## 42" High Wall Angle

- Three adjustable shelves that match cabinet face frame
- Clip corner back provides clearance for installation
- Clip corner back is 1/4" plywood

A

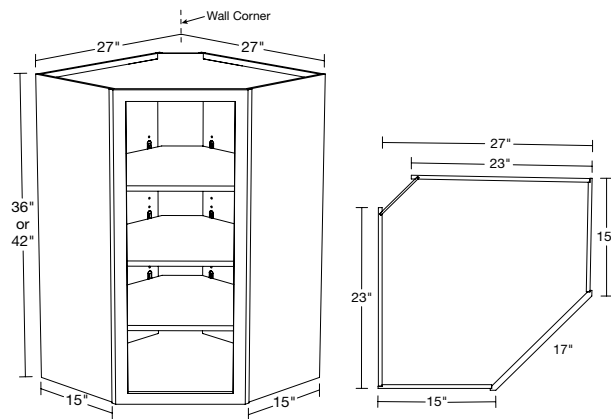


WA2442ND

## 36" and 42" High x 15" Deep Wall Angle

- Three adjustable shelves that match cabinet face frame
- Clip corner back provides clearance for installation
- Clip corner back is 1/4" plywood

A



WA271536ND

WA271542ND

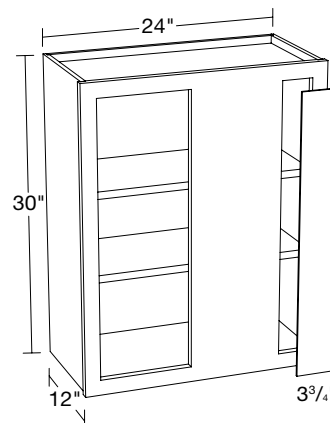
## 30" High Wall Blind Corner Unit

- Two adjustable shelves that match cabinet face frame
- 3" wide filler included
- 3 3/4" wide blind closure panel included - field installed
- Cabinet can be pulled for exact fit (see installation guide)
- Specify Right or Left blind, Right blind shown
- **NEW** FREE Depth Modification: 5" to 15" deep

F

A

D



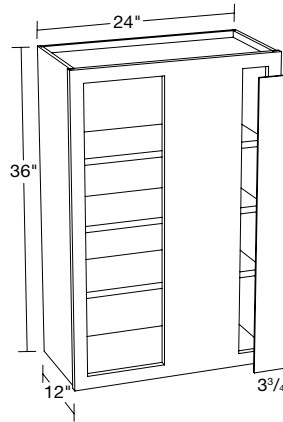
WBCU2730ND

# WALL CABINETS WITH NO DOORS

## 36" High Wall Blind Corner Unit

- Three adjustable shelves that match cabinet face frame
- Cabinet can be pulled for exact fit (see installation guide)
- 3" wide filler included
- 3¾" wide blind closure panel included - field installed
- Specify Right or Left blind, Right blind shown
- **NEW** FREE Depth Modification: 5" to 15" deep

F A D

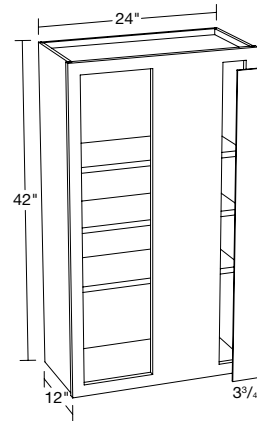


WBCU2736ND

## 42" High Wall Blind Corner Unit

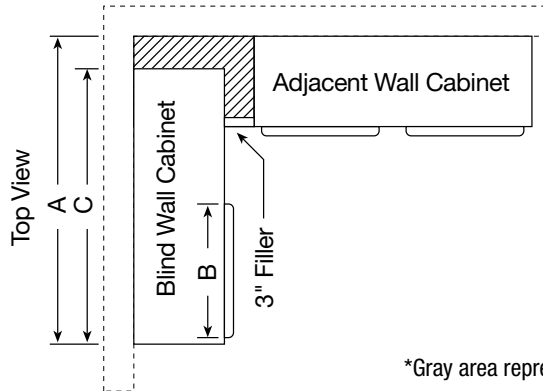
- Three adjustable shelves that match cabinet face frame
- Cabinet can be pulled for exact fit (see installation guide)
- 3" wide filler included
- 3¾" wide blind closure panel included - field installed
- Specify Right or Left blind, Right blind shown
- **NEW** FREE Depth Modification: 5" to 15" deep

F A D



WBCU2742ND

## Blind Corner Installation Guide



BLIND WALL INSTALLATION GUIDE			
Cabinet	Wall Space "A"	Frame Opening	Cabinet
	Min - Max	Width "B"	Width "C"
WBCU2730	25" - 30"	8 <sup>7</sup> / <sub>8</sub> "	24"
WBCU2736	25" - 30"	8 <sup>7</sup> / <sub>8</sub> "	24"
WBCU2742	25" - 30"	8 <sup>7</sup> / <sub>8</sub> "	24"

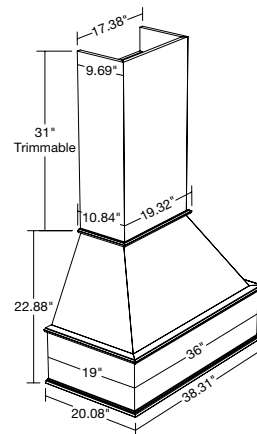
\*Gray area represents empty space. Cabinet is designed to be pulled for exact space.



WRHC36S

## Range Hood Combo - Straight Valance

- Includes Hood, Chimney, Hood Liner and Blower
- Chimney is trimmable to adjust the height
- Blower is 390 CFM, 6.0 sones, enclosed light
- Clearance of 3" on each side is recommended
- Only available in paint or stain



## Placing Wall Cabinets Next to a Return Wall

When placing cabinets against a side wall, use a minimum  $\frac{3}{4}$ " filler between wall and cabinet to allow doors to fully open.



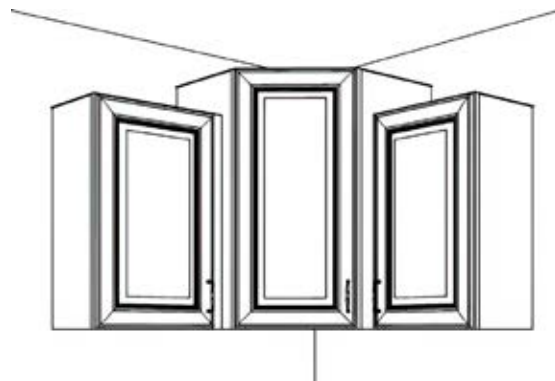
## Using Accessories with Wall Cabinets

Make sure to allow proper clearance on each side so doors can open 90 degrees or more. This will allow the interior accessory to pull down correctly.



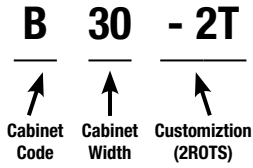
## Staggering Wall Cabinets

When using the WA271536/42 corner cabinets, make sure to place a  $\frac{3}{4}$ " filler next to adjacent cabinet if the adjacent cabinet is shallower.



# BASE CABINETS

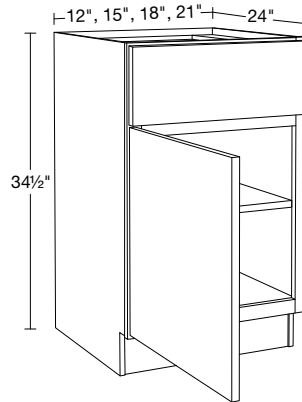
## BASE CABINET CODING



- Standard Base Cabinets are 24" deep and 34½" high
- Cabinet depth does not include door thickness
- Products are available in all doors styles unless stated otherwise
- Standard cabinet exterior sides are color matched to face frame
- RTF and melamine door styles require a (Heat\_Shield) to protect doors and drawers from heat-emitting appliances. See page 79 for details
- Base cabinets are shipped with an unfinished toe kick. Matching Toe Kick (MTK8) must be ordered separately, and field installed
- **Soft-close hinges and full-extension drawer glides unless stated otherwise**

### 24" Deep Single Door

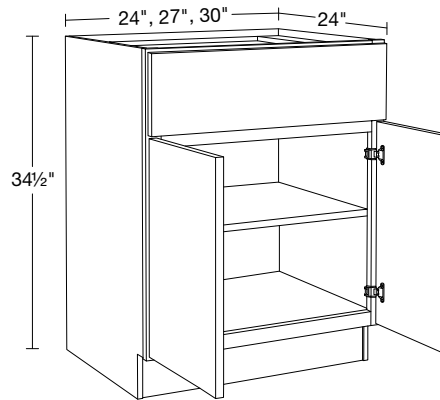
- One full-depth adjustable shelf
- Specify Right or Left hinge, Left hinge shown
- **NEW** **FREE Depth Modification: 9" to 23" deep** (9" to 14" deep options have false front & no drawer)



**B12**  
**B15**  
**B18**  
**B21**

### 24" Deep Double Door

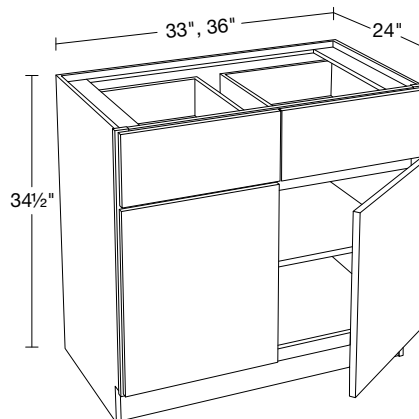
- One full-depth adjustable shelf
- **NEW** **FREE Depth Modification: 9" to 23" deep** (9" to 14" deep options have false front & no drawer)



**B24**  
**B27**  
**B30**

### 24" Deep Double Door

- One full-depth adjustable shelf
- **NEW** **FREE Depth Modification: 9" to 23" deep** (9" to 14" deep options have false front & no drawer)

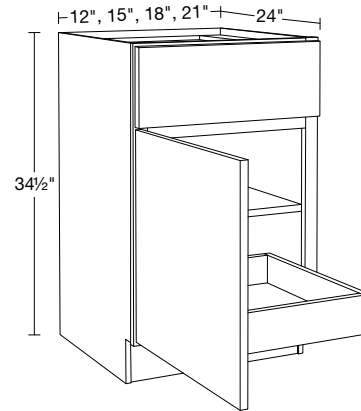


**B33**  
**B36**

## 24" Deep Single Door with 1 Roll-Out Tray

- One full-depth adjustable shelf
- One full-width, full-extension, soft-close roll-out tray
- Roll-out trays are not adjustable
- Specify Right or Left hinge, Left hinge shown

**A H**

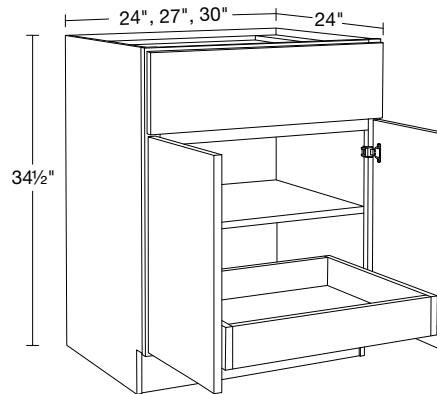


**B12-1T**  
**B15-1T**  
**B18-1T**  
**B21-1T**

## 24" Deep Double Door with 1 Roll-Out Tray

- One full-depth adjustable shelf
- One full-width, full-extension, soft-close roll-out tray
- Roll-out trays are not adjustable

**A**

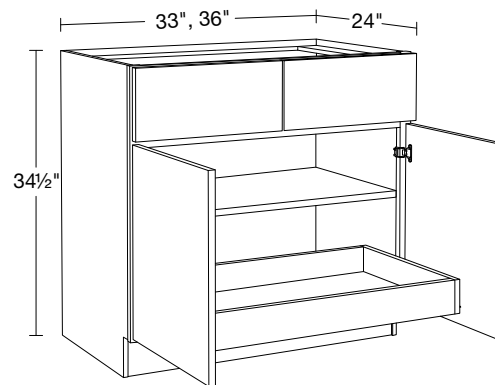


**B24-1T**  
**B27-1T**  
**B30-1T**

## 24" Deep Double Door with 1 Roll-Out Tray

- One full-depth adjustable shelf
- One full-width, full-extension, soft-close roll-out tray
- Roll-out trays are not adjustable

**A**

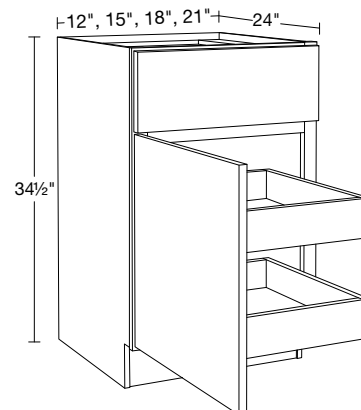


**B33-1T**  
**B36-1T**

## 24" Deep Single Door with 2 Roll-Out Trays

- Two full-width, full-extension, soft-close roll-out trays
- Roll-out trays are not adjustable
- Specify Right or Left hinge, Left hinge shown

**H**

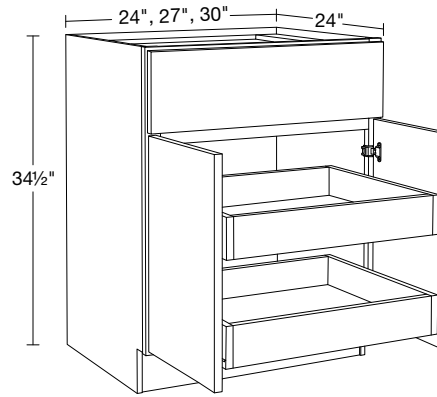


**B12-2T**  
**B15-2T**  
**B18-2T**  
**B21-2T**

# BASE CABINETS

## 24" Deep Double Door with 2 Roll-Out Trays

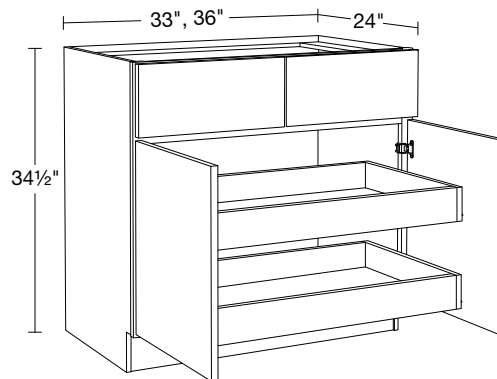
- Two full-width, full-extension, soft-close roll-out trays
- Roll-out trays are not adjustable



**B24-2T**  
**B27-2T**  
**B30-2T**

## 24" Deep Double Door with 2 Roll-Out Trays

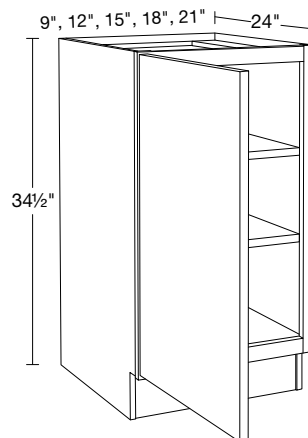
- Two full-width, full-extension, soft-close roll-out trays
- Roll-out trays are not adjustable



**B33-2T**  
**B36-2T**

## 24" Deep Single Full-Height Door

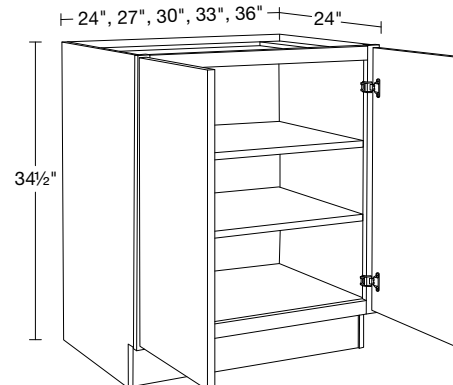
- Two full-depth adjustable shelves
- 9" wide and smaller doors will not feature a raised center panel
- Specify Right or Left hinge, Left hinge shown
- **NEW** FREE Depth Modification: 9" to 23" deep



**B09FH**  
**B12FH**  
**B15FH**  
**B18FH**  
**B21FH**

## 24" Deep Double Full-Height Door

- Two full-depth adjustable shelves
- **NEW** FREE Depth Modification: 9" to 23" deep

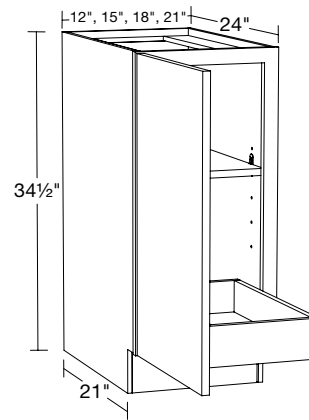


**B24FH**  
**B27FH**  
**B30FH**  
**B33FH**  
**B36FH**

## 24" Deep Single Full-Height Door with 1 Roll-Out Tray

- One full-depth adjustable shelf
- One full-width, full-extension, soft-close roll-out tray
- Roll-out trays are not adjustable
- Specify Right or Left hinge, Left hinge shown

**A H**

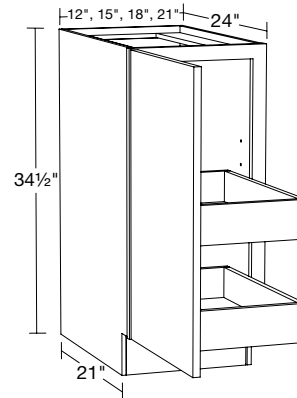


**B12FH-1T**  
**B15FH-1T**  
**B18FH-1T**  
**B21FH-1T**

## 24" Deep Single Full-Height Door with 2 Roll-Out Trays

- Two full-width, full-extension, soft-close roll-out trays
- Roll-out trays are not adjustable
- Specify Right or Left hinge, Left hinge shown

**H**

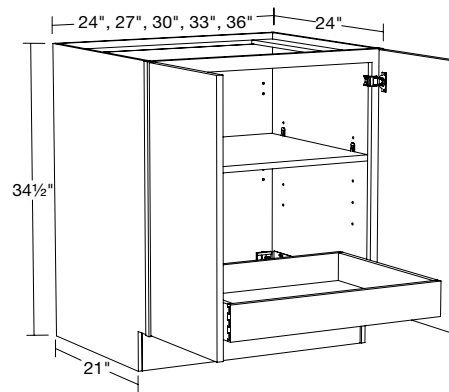


**B12FH-2T**  
**B15FH-2T**  
**B18FH-2T**  
**B21FH-2T**

## 24" Deep Double Full-Height Door with 1 Roll-Out Tray

- One full-depth adjustable shelf
- One full-width, full-extension, soft-close roll-out tray
- Roll-out trays are not adjustable

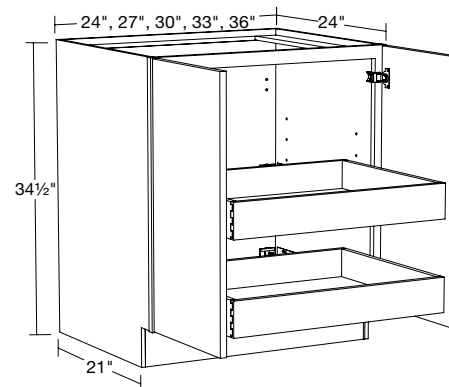
**A**



**B24FH-1T**  
**B27FH-1T**  
**B30FH-1T**  
**B33FH-1T**  
**B36FH-1T**

## 24" Deep Double Full-Height Door with 2 Roll-Out Trays

- Two full-width, full-extension, soft-close roll-out trays
- Roll-out trays are not adjustable



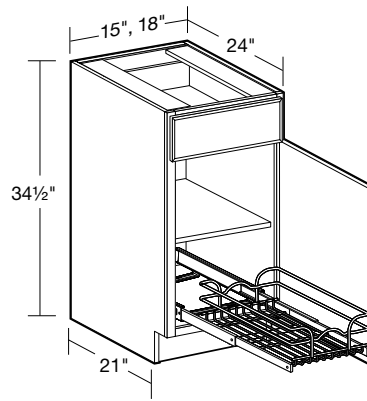
**B24FH-2T**  
**B27FH-2T**  
**B30FH-2T**  
**B33FH-2T**  
**B36FH-2T**

# BASE CABINETS

## 24" Deep Single Door with 1 Chrome Roll-Out Tray

- Field installed
- One full-width chrome wire roll-out tray
- 100 lb. rated full-extension, ball-bearing glides (not soft close)
- Floor mounting, not adjustable
- One full-depth adjustable shelf
- Specify Right or Left hinge, Right hinge shown

F A H

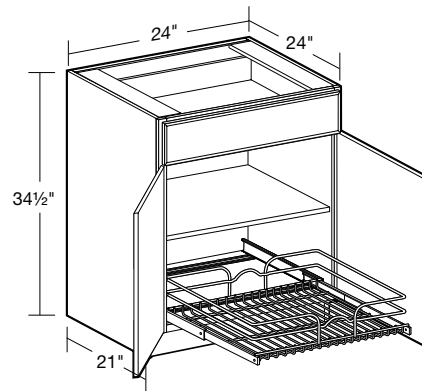


B15-1WT  
B18-1WT

## 24" Deep Double Door with 1 Chrome Roll-Out Tray

- Field installed
- One full-width chrome wire roll-out tray
- 100 lb. rated full-extension, ball-bearing glides (not soft close)
- Floor mounting, not adjustable
- One full-depth adjustable shelf

F A

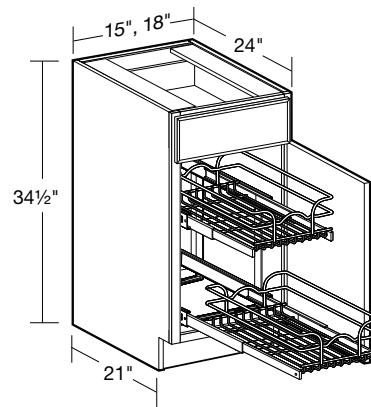


B24-1WT

## 24" Deep Single Door with 2 Chrome Roll-Out Trays

- Field installed
- Two full-width chrome wire roll-out trays
- 100 lb. rated full-extension, ball-bearing glides (not soft close)
- (3) adjustable heights
- Floor, side, and rear-mounted
- Specify Right or Left hinge, Right hinge shown

F H

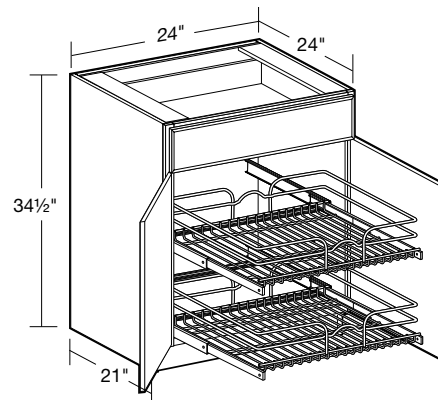


B15-2WT  
B18-2WT

## 24" Deep Double Door with 2 Chrome Roll-Out Trays

- Field installed
- Two full-width chrome wire roll-out trays
- 100 lb. rated full-extension, ball-bearing glides (not soft close)
- (3) adjustable heights
- Floor, side, and rear-mounted

F



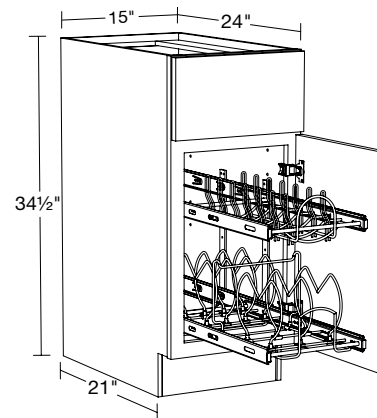
B24-2WT

## 24" Deep Single Door with 2-Tier Cookware Organizer

B15-CWO

- Field installed
- Two chrome wire tiers operate independently
- Adjustable dividers on bottom tier accommodate different size pots and pans
- Floor, side, and rear-mounted
- 100 lb. rated full-extension soft close ball-bearing glides
- Specify Right or Left hinge, Right hinge shown

F H

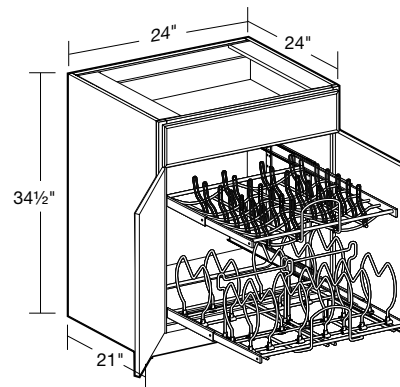


## 24" Deep Double Door with 2-Tier Cookware Organizer

B24-CWO

- Field installed
- Two chrome wire tiers operate independently
- Adjustable dividers on bottom tier accommodate different size pots and pans
- Floor, side, and rear-mounted
- 100 lb. rated full-extension soft close ball-bearing glides

F



## 24" Deep Single Door with Cutlery Tray

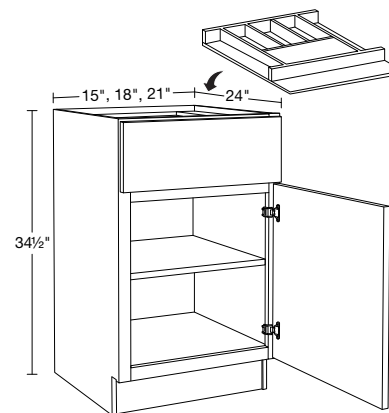
B15-CT

B18-CT

B21-CT

- One full-depth adjustable shelf
- Solid hardwood drawer insert
- 6 compartments 10"-14" deep (B15, B18)
- 8 compartments 10"-14" deep (B21)
- One full-width front utensil compartment
- Specify Right or Left hinge, Right hinge shown

A H



## 24" Deep Single Door with Utensil Tray

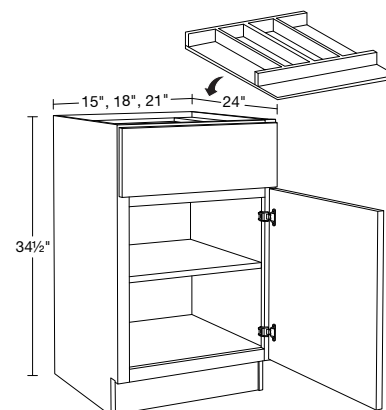
B15-UT

B18-UT

B21-UT

- One full-depth adjustable shelf
- Solid hardwood drawer insert
- 2 additional compartments 16" deep (B15)
- 4 additional compartments 16" deep (B18)
- 5 additional compartments 16" deep (B21)
- One full-width front utensil compartment
- Specify Right or Left hinge, Right hinge shown

A H

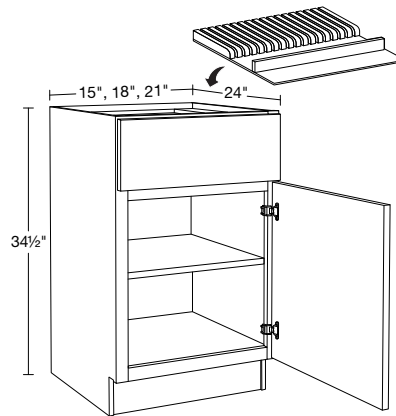


# BASE CABINETS

## 24" Deep Single Door with Knife Block

- One full-depth adjustable shelf
- Solid hardwood drawer insert
- 10 knife slots + utensil compartment (B15)
- 13 knife slots + utensil compartment (B18)
- 16 knife slots + utensil compartment (B21)
- One full-width front utensil compartment
- Specify Right or Left hinge, Right hinge shown

A H

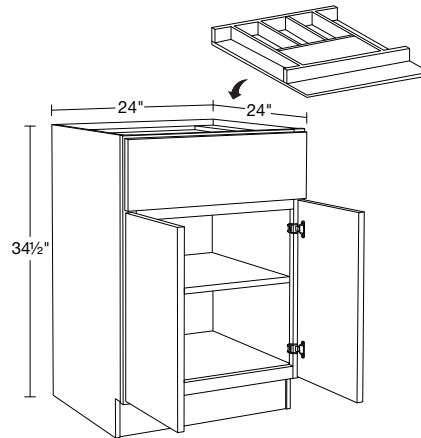


B15-KB  
B18-KB  
B21-KB

## 24" Deep Double Door with Cutlery Tray

- One full-depth adjustable shelf
- Solid hardwood drawer insert
- 8 compartments 10"-14" deep (B24)
- One full-width front utensil compartment

A

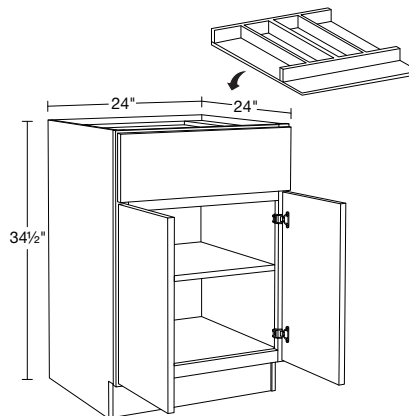


B24-CT

## 24" Deep Double Door with Utensil Tray

- One full-depth adjustable shelf
- Solid hardwood drawer insert
- 5 additional compartments 16" deep (B24)
- One full-width front utensil compartment

A

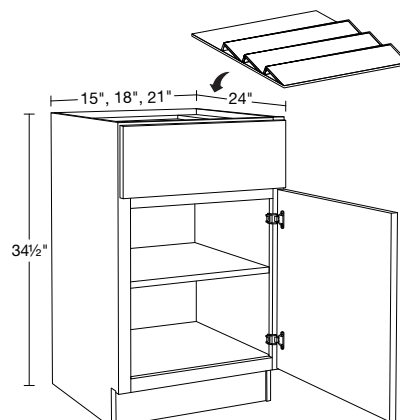


B24-UT

## 24" Deep Single Door with Spice Tray

- One full-depth adjustable shelf
- Solid hardwood drawer insert
- Three 5" high angled tiers
- Rear 4" deep compartment
- Specify Right or Left hinge, Right hinge shown

A H



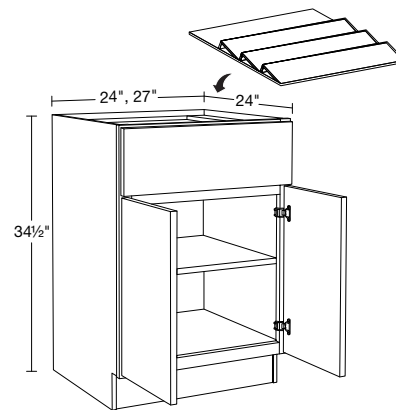
B15-ST  
B18-ST  
B21-ST



## 24" Deep Double Door with Spice Tray

- One full-depth adjustable shelf
- Solid hardwood drawer insert
- Three 5" high angled tiers
- Rear 4" deep compartment

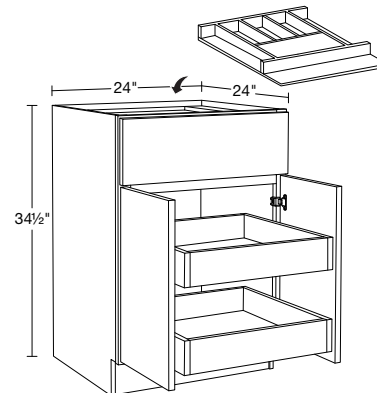
**A**



**B24-ST**  
**B27-ST**

## 24" Deep Double Door with 2 Roll-Out Trays and Cutlery Tray

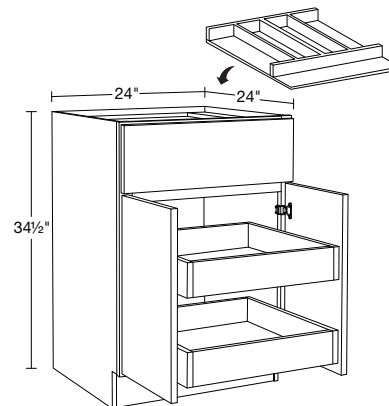
- Two full-width, full-extension, soft-close roll-out trays
- Solid hardwood drawer insert
- 8 compartments 10"-14" deep (B24)
- One full-width front utensil compartment
- Roll-out trays are not adjustable



**B24-2T-CT**

## 24" Deep Double Door with 2 Roll-Out Trays and Utensil Tray

- Two full-width, full-extension, soft-close roll-out trays
- Solid hardwood drawer insert
- 5 additional compartments 16" deep (B24)
- One full-width front utensil compartment
- Roll-out trays are not adjustable

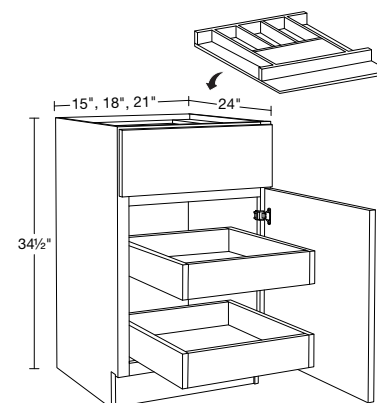


**B24-2T-UT**

## 24" Deep Single Door with 2 Roll-Out Trays and Cutlery Tray

- Two full-width, full-extension, soft-close roll-out trays
- Solid hardwood drawer insert
- 6 compartments 10"-14" deep (B15, B18)
- 8 compartments 10"-14" deep (B21)
- Roll-out trays are not adjustable
- Specify Right or Left hinge, Right hinge shown

**H**



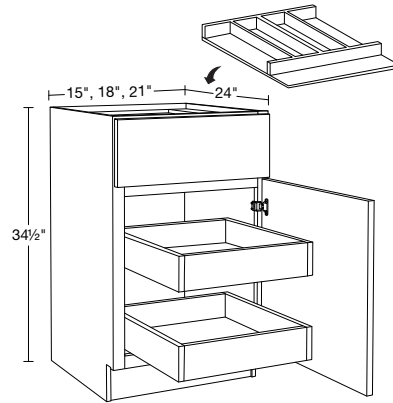
**B15-2T-CT**  
**B18-2T-CT**  
**B21-2T-CT**

# BASE CABINETS

## 24" Deep Single Door with 2 Roll-Out Trays and Utensil Tray

- Two full-width, full-extension, soft-close roll-out trays
- Solid hardwood drawer insert
- 2 additional compartments 16" deep (B15)
- 4 additional compartments 16" deep (B18)
- 5 additional compartments 16" deep (B21)
- One full-width front utensil compartment
- Roll-out trays are not adjustable
- Specify Right or Left hinge, Right hinge shown

**H**

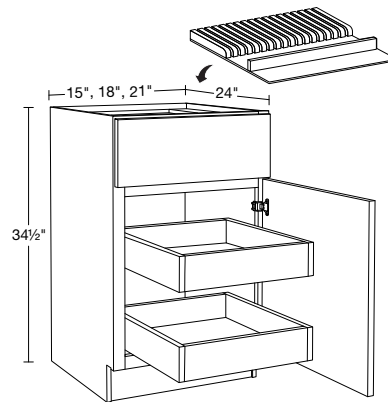


**B15-2T-UT**  
**B18-2T-UT**  
**B21-2T-UT**

## 24" Deep Single Door with 2 Roll-Out Trays and Knife Block

- Two full-width, full-extension, soft-close roll-out trays
- Solid hardwood drawer insert
- 10 knife slots + utensil compartment (B15)
- 13 knife slots + utensil compartment (B18)
- 16 knife slots + utensil compartment (B21)
- One full-width front utensil compartment
- Roll-out trays are not adjustable
- Specify Right or Left hinge, Right hinge shown

**H**

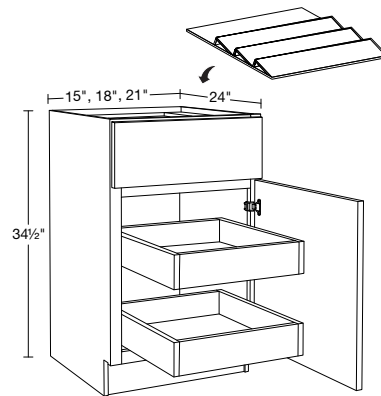


**B15-2T-KB**  
**B18-2T-KB**  
**B21-2T-KB**

## 24" Deep Single Door with 2 Roll-Out Trays and Spice Tray

- Two full-width, full-extension, soft-close roll-out trays
- Solid hardwood drawer insert
- Three 5" high angled tiers
- Rear 4" deep compartment
- Roll-out trays are not adjustable
- Specify Right or Left hinge, Right hinge shown

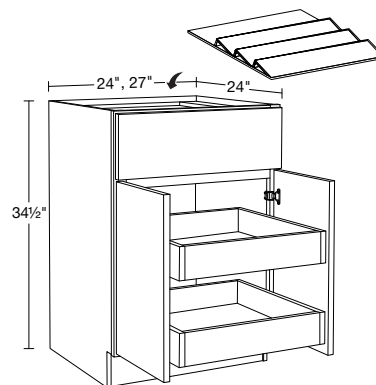
**H**



**B15-2T-ST**  
**B18-2T-ST**  
**B21-2T-ST**

## 24" Deep Double Door with 2 Roll-Out Trays and Spice Tray

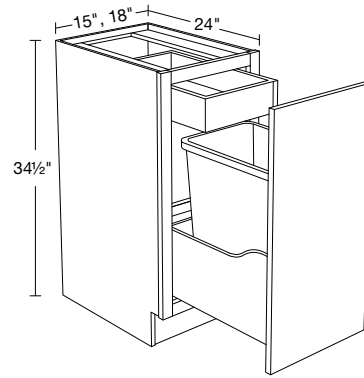
- Two full-width, full-extension, soft-close roll-out trays
- Solid hardwood drawer insert
- Three 5" high angled tiers
- Rear 4" deep compartment
- Roll-out trays are not adjustable



**B24-2T-ST**  
**B27-2T-ST**

## 24" Deep DELUXE Single 35 qt. Waste Basket Pull-Out

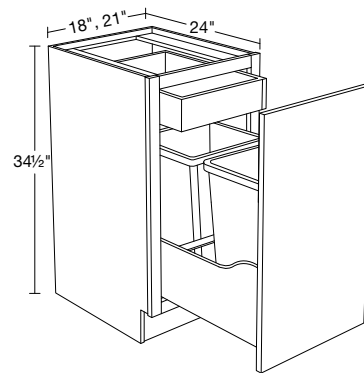
- Basket is removable
- Baskets slide on heavy duty, full-extension, soft-close glides
- 35-quart white plastic basket sits in a dovetailed plywood drawer box
- Basket dimensions: 14"W x 10"D x 18"H
- Roll-Out tray not adjustable or removable
- Top mount roll-out tray for trash bag storage



**B1DWB15**  
**B1DWB18**

## 24" Deep DELUXE Double 35 qt. Waste Basket Pull-Out

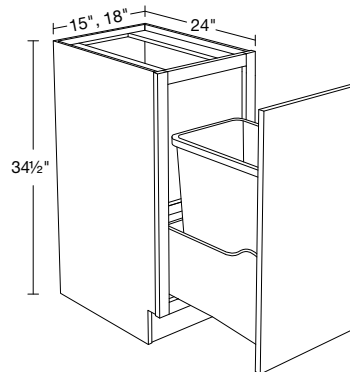
- Basket is removable
- Baskets slide on heavy duty, full-extension, soft-close glides
- Two 35-quart white plastic baskets sit in a dovetailed plywood drawer box
- Basket dimensions: 14"W x 10"D x 18"H
- Roll-Out tray not adjustable or removable
- Top mount roll-out tray for trash bag storage



**B2DWB18**  
**B2DWB21**

## Base Full 50 qt. Single Wastebasket

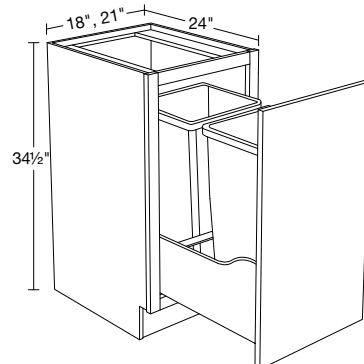
- Basket is removable
- Baskets slide on heavy duty, full-extension, soft-close glides
- 50-quart white plastic basket sits in a dovetailed plywood drawer box
- Basket dimensions: 10<sup>3</sup>/<sub>4</sub>"W x 14<sup>3</sup>/<sub>4</sub>"D x 21<sup>3</sup>/<sub>4</sub>"H



**B1LWB15**  
**B1LWB18**

## Base Full 50 qt. Double Wastebasket

- Baskets are removable
- Baskets slide on heavy duty, full-extension, soft-close glides
- Two 50-quart white plastic baskets sit in a dovetailed plywood drawer box
- Basket dimensions: 10<sup>3</sup>/<sub>4</sub>"W x 14<sup>3</sup>/<sub>4</sub>"D x 21<sup>3</sup>/<sub>4</sub>"H

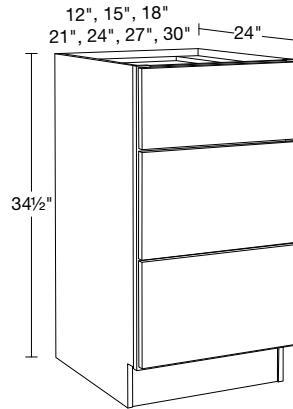


**B2LWB18**  
**B2LWB21**

# BASE CABINETS

## 24" Deep Base - 3 Drawers

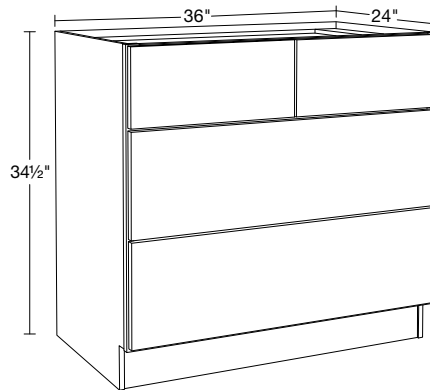
- One full-extension, soft-close standard top drawer
  - Two full-extension, soft-close deep drawers
  - **NEW** **FREE Depth Modification: 15" to 23" deep**
- \*Maximum drawer handle width is 4" wide for raised panel styles, 5½" wide for recessed panel styles.



**BD12\***  
**BD15**  
**BD18**  
**BD21**  
**BD24**  
**BD27**  
**BD30**

## 24" Deep Base - 4 Drawers

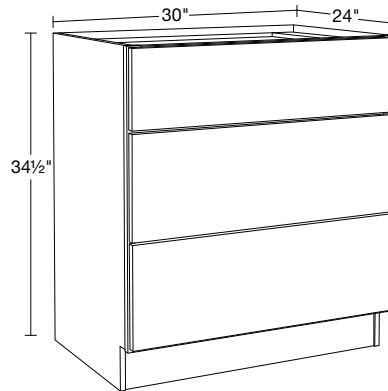
- Two full-extension, soft-close standard top drawers
- Two full-extension, soft-close deep drawers
- **NEW** **FREE Depth Modification: 9" to 23" deep**



**BD36**

## 24" Deep Base Cooktop - Single False Front

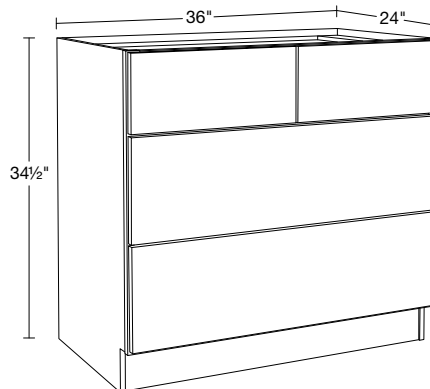
- False top drawer front
- Two full-extension, soft-close deep drawers
- Accepts drop-in cooktop



**BCT30**

## 24" Deep Base Cooktop - Double False Front

- False top drawer fronts
- Two full-extension, soft-close deep drawers
- Accepts drop-in cooktop

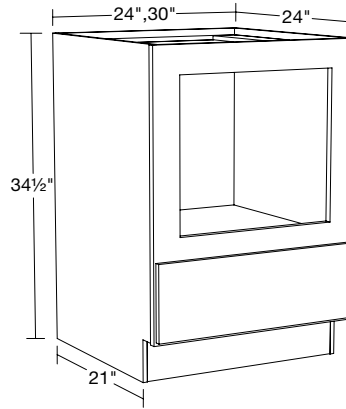


**BCT36**

## Base Microwave Cabinet

- Fixed, full-depth interior shelf
- One full-extension solid wood, dovetailed drawer box with soft-close runners that can hold up to 90 pounds
- Features matching interior
- 24" wide cabinet has a max. microwave opening of 22½" wide and 16⅞" high
- 30" wide cabinet has a max. microwave opening of 28½" wide and 16⅞" high

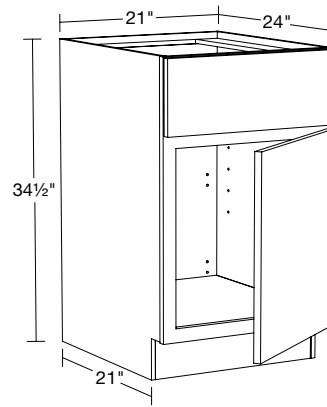
**NOTE** The Microwave Oven opening can be trimmed out up to 1½" wider



**BMC24**  
**BMC30**

## 21" Deep Single Door Sink Base

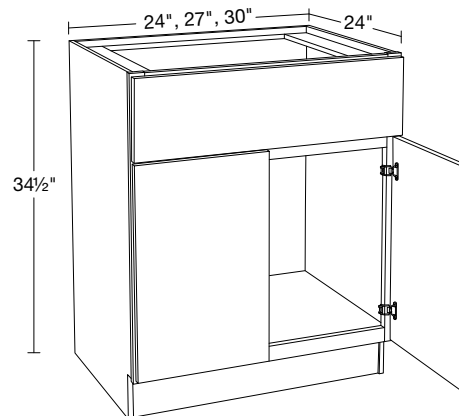
- Maximum sink cutout 19" wide
- No adjustable shelf
- False drawer front
- Specify Right or Left hinge, Right hinge shown
- **NEW** FREE Depth Modification: 9" to 23" deep



**SB21**

## 24" Deep Sink Base

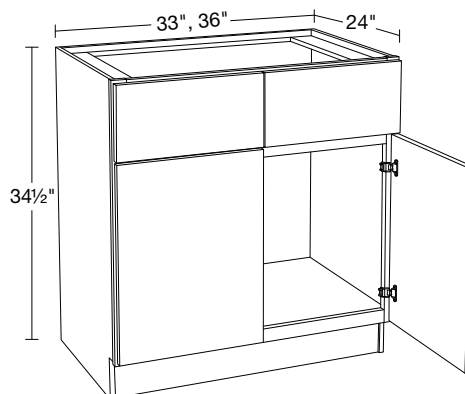
- No adjustable shelf
- False drawer front
- May also be used as drop-in cooktop base
- **NEW** FREE Depth Modification: 9" to 23" deep



**SB24**  
**SB27**  
**SB30**

## 24" Deep Sink Base

- No adjustable shelf
- Two false drawer fronts
- May also be used as drop-in cooktop base
- **NEW** FREE Depth Modification: 9" to 23" deep



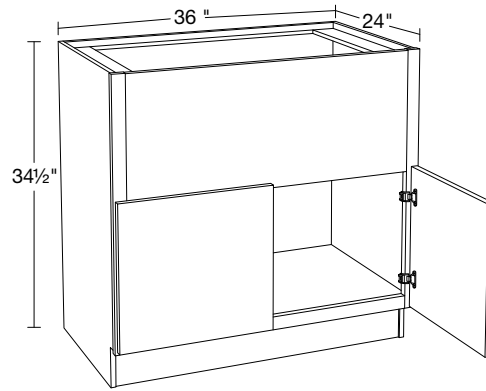
**SB33**  
**SB36**

# BASE CABINETS

## 24" Deep Farm Sink Base

- Front rail is field modified to fit sink
- No adjustable shelf
- **NEW** FREE Depth Modification: 9" to 23" deep

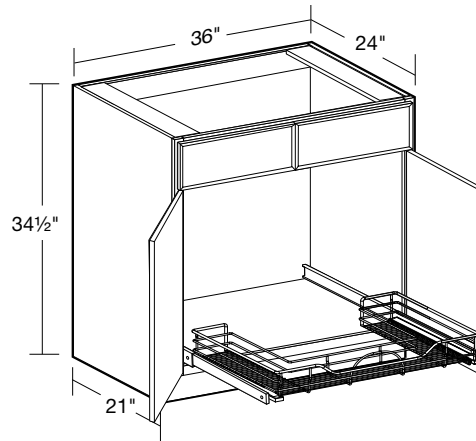
**F D**



**FSB36**

## 24" Deep Sink Base with 1 Chrome Roll-Out Tray

- No adjustable shelf
- Two false drawer fronts
- One full-width U-shaped chrome wire roll-out tray (not soft close)
- Designed to fit around sink plumbing

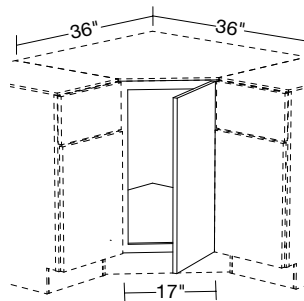


**SB36-1USWP**

## Sink Front Angle

- Angle sink front must be installed between two cabinets
- Frame/door can be installed with hinges on right or left
- Floor support and toe base must be field constructed
- Maximum sink width for this application is 25 3/4"

**F**

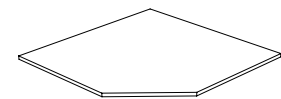


## FACE FRAME & DOOR

**SFA36**

## CORNER FLOOR

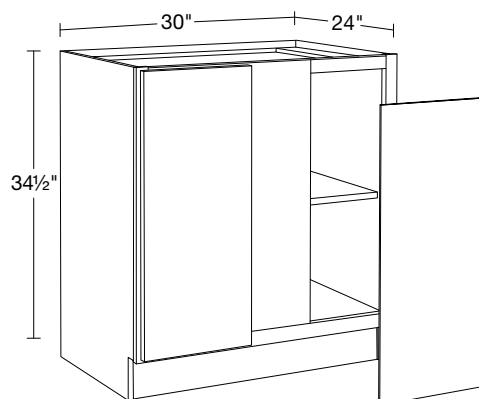
**SFAF36**



## 24" Deep Blind Base Corner Unit

- Specify Right or Left hinge
- Specify Right or Left blind, Right blind shown
- Cabinet can be pulled for exact fit (see installation chart)
- 3" wide filler included
- 9 7/8" wide blind closure panel included - field installed
- Door width is 11 3/4"
- **NEW** FREE Depth Modification: 9" to 23" deep

**F A H D**

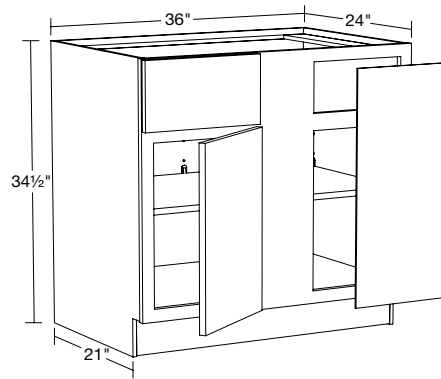


**BBCU39**

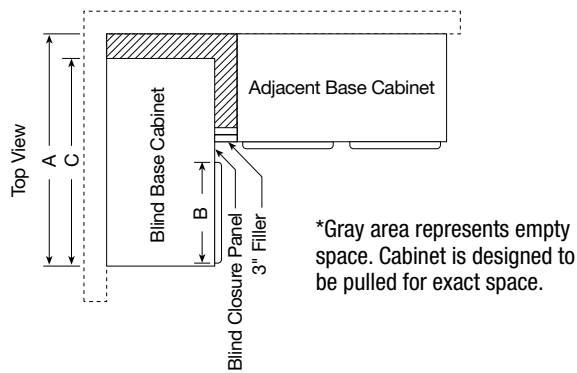
## 24" Deep Blind Base Corner Unit

**BBCU42**

- Specify Right or Left hinge, Right hinge shown
- Specify Right or Left blind, Right blind shown
- Cabinet can be pulled for exact fit (see installation chart)
- 3" wide filler included
- 12¾" wide blind closure panel included - field installed
- Door width is 14¾"
- **NEW** **FREE Depth Modification: 9" to 23" deep** (9" to 14" deep options have false front & no drawer)



## Blind Base Corner Installation

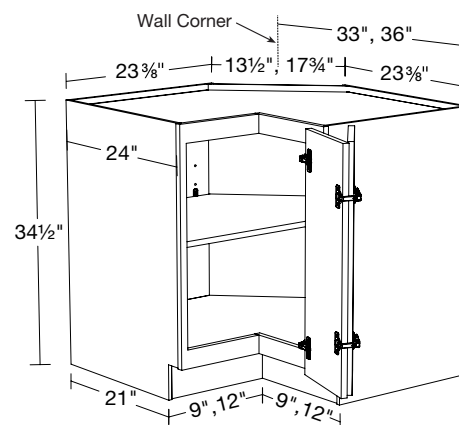


Blind Base Installation Guide				
Cabinet	Wall Space "A"		Frame Opening	Cabinet
	Min	Max	Width "B"	Width "C"
BBCU39	39"	42"	8 7/8"	30"
BBCU42	42"	45"	12"	36"

## 33" and 36" Easy Reach

**EZR33**  
**EZR36**

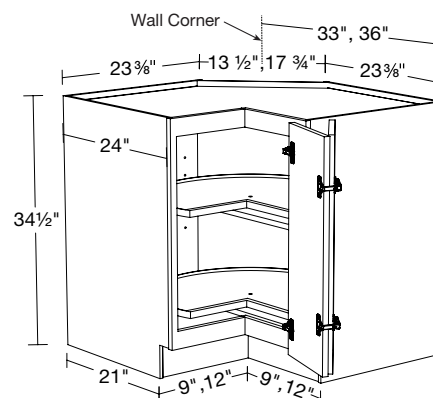
- One full-depth straight adjustable shelf (reversible)
- Door opens 170° for easy access
- Clip corner is ¼" plywood
- 33" wide cabinet doors will not feature a raised center panel
- Cabinet requires a minimum 29" clearance to fit through doorway
- **SOFT-CLOSE DOOR (SCD) OPTION NOT AVAILABLE**
- Specify Right or Left hinge, Right hinge shown



## 33" and 36" Easy Reach Super Suzan

**EZR33SS**  
**EZR36SS**

- Two 26" or 28" diameter, pie-cut independently revolving all wood shelves
- Door opens 170° for easy access
- Clip corner is ¼" plywood
- 33" wide cabinet doors will not feature a raised center panel
- Cabinet requires a minimum 29" clearance to fit through doorway
- **SOFT-CLOSE DOOR (SCD) OPTION NOT AVAILABLE**
- Specify Right or Left hinge, Right hinge shown

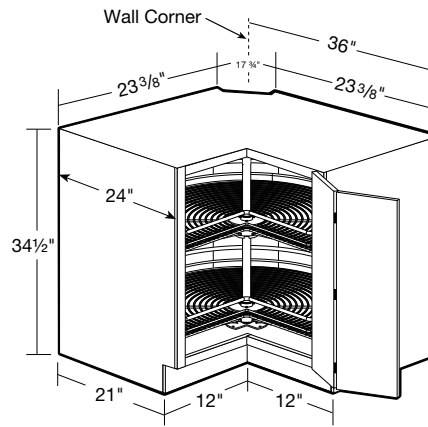


# BASE CABINETS

## 36" Easy Reach Chrome Susan

- **CHROME SUSAN FIELD INSTALLED**
- Door opens 170° for easy access
- Clip corner is ¼" plywood
- Cabinet requires a minimum 29" clearance to fit through doorway
- **SOFT-CLOSE DOOR (SCD) OPTION NOT AVAILABLE**
- Specify Right or Left hinge, Right hinge shown

F H

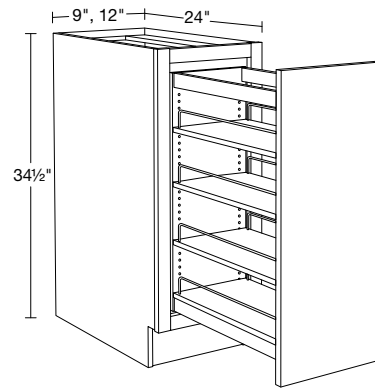


EZR36-2WLS

## 24" Deep Base Pantry Pull-Out

- Available in 9" & 12" width cabinets
- Full-extension ball-bearing slides provide stable, smooth pull-out function
- Adjustable shelves with chrome rails
- 9" wide and smaller doors will not feature a raised center panel

A

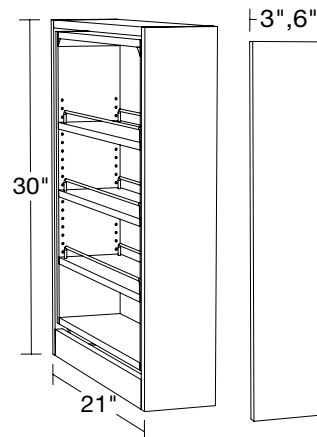


BPP09  
BPP012

## 24" Deep Filler Pantry Pull-Out

- Available in 3" & 6" widths with matching Filler Strip
- Full-extension ball-bearing slides provide stable, smooth pull-out function
- Adjustable shelves with chrome rails
- Pull-out unit must be installed between two cabinets or cabinet and wall
- Top and bottom of filler unfinished
- Filler strip attached to pull-out unit after installation

A



BFP03  
BFP06

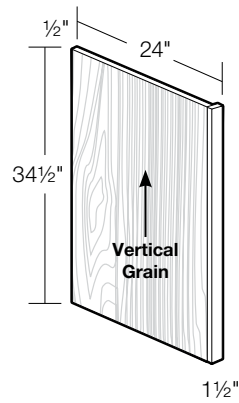


## 24" Deep End Panel with 1½" wide Filler

BP1.5

- Panel and 1½" wide filler supplied loose; field installed
- Solid wood filler for stained finishes. MDF filler for painted, RTF, and melamine door styles
- Reversible, may be installed left or right
- ½" thick plywood panel finished to match the cabinet face frame
- Top and bottom of filler is unfinished
- Filler can be trimmed down by ⅝"

F

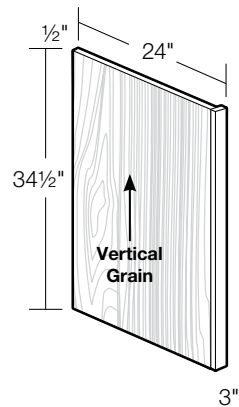


## 24" Deep End Panel with 3" wide Filler

BP3

- Panel and 3" wide filler supplied loose; field installed
- Solid wood filler for stained finishes. MDF filler for painted, RTF, and melamine door styles
- Reversible, may be installed left or right
- ½" thick plywood panel finished to match the cabinet face frame
- Top and bottom of filler is unfinished
- Filler can be trimmed down by ⅝"

F

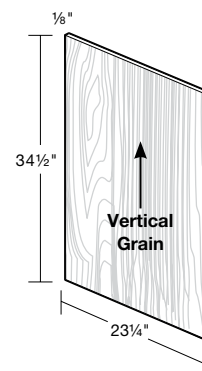


## Base Skin

BSK345

- ⅛" thick plywood panel finished to match the cabinet face frame
- Can be field modified for shallower depth cabinets
- Field installed

F

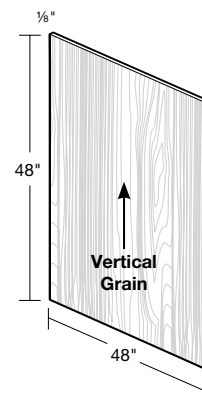


## Island Skin

ISK4848

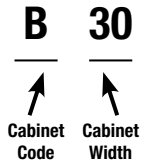
- ⅛" thick plywood panel finished to match the cabinet face frame
- Field modified and installed

F



# BASE CABINETS WITH NO DOORS

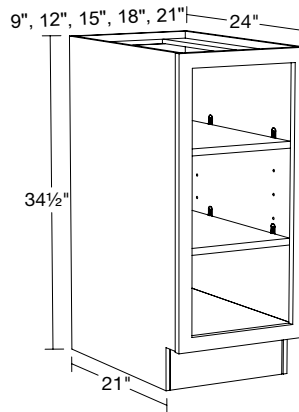
## BASE CABINET CODING



- Standard Base Cabinets are 24" deep and 34½" high
- Matching interior is standard on ND cabinets
- Standard cabinet exterior sides are color matched to face frame
- Base cabinets are shipped with an unfinished toe-kick. Finished toe-kicks (MTK8) must be ordered separately and field installed
- **Shelf adjustment holes on the interior sides and back of cabinets will be visible**

### 24" Deep Single No Door

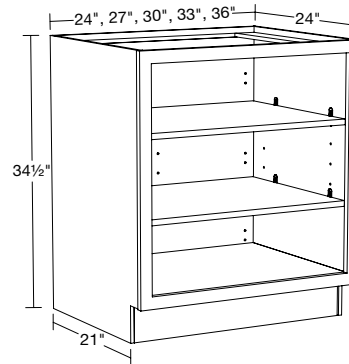
- Two full-depth adjustable shelves that match cabinet interior finish
- **NEW** FREE Depth Modification: 9" to 23" deep



**B09ND**  
**B12ND**  
**B15ND**  
**B18ND**  
**B21ND**

### 24" Deep Double No Door

- Two full-depth adjustable shelves that match cabinet interior finish
- **NEW** FREE Depth Modification: 9" to 23" deep



**B24ND**  
**B27ND**  
**B30ND**  
**B33ND**  
**B36ND**

### Using ND Base Cabinets

By modifying the depth of a B24ND down to 12", you can use it on the end of a cabinet run for an interesting transition in the kitchen. This option is shown with a MWEP30 on the exposed side of the ND (no door) cabinet to mimic a finished door.



## Designing Around a Range

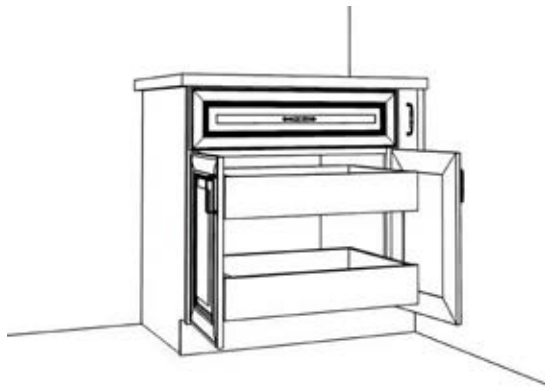
Make sure to give landing space on each side of the appliance when placing in design area.

RTF and melamine door styles require a (Heat\_Shield) to protect doors and drawers from heat-emitting appliances. See page 79 for details.



## Clearance for Roll-Out Trays

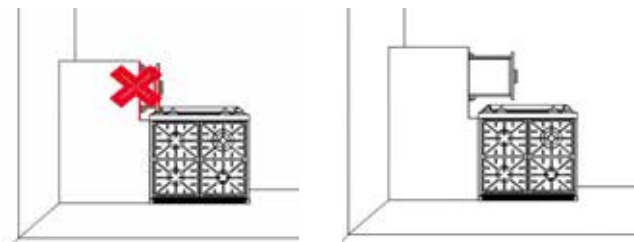
Be sure to leave enough clearance for doors to open at least 90° when placing next to wall or refrigerator cabinet. This will allow the roll-out trays to operate correctly.



## Blind Cabinets with Drawers

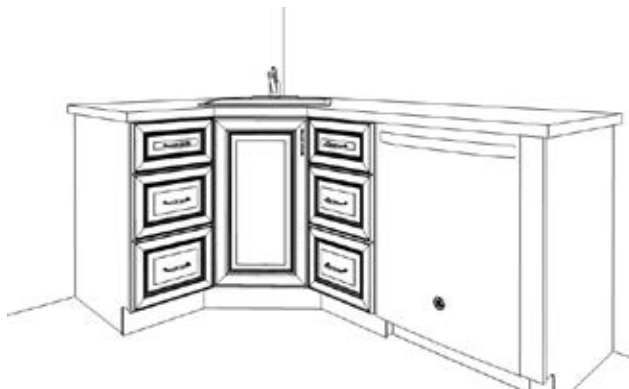
When placing a blind base cabinet, cabinet with drawer or trash pull-out, make sure to allow enough clearance so drawer/pull-out will open fully.

Make sure to leave enough space to allow drawer to open if placing around corner from range or appliance.



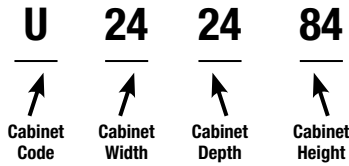
## Using a Sink Front Angle

For sufficient dishwasher door clearance and loading/unloading space, a 15" wide base cabinet is recommended for use between a corner sink base and dishwasher.



# TALL CABINETS

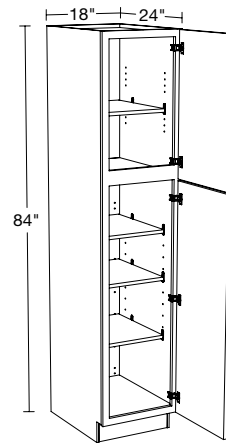
## TALL CABINET CODING



- Standard Tall Cabinets are 24" deep
- Cabinet depth does not include door thickness
- Products are available in all door styles unless stated otherwise
- Standard cabinet exterior sides are color matched to face frame
- Soft-close hinges unless stated otherwise
- RTF and melamine door styles require a (Heat\_Shield) to protect doors and drawers from heat-emitting appliances. See page 79 for details

### 24" Deep Two-Door Utility

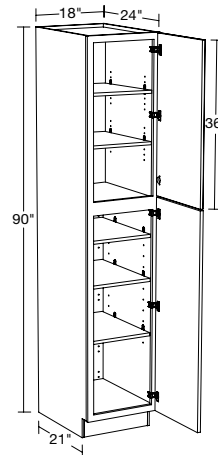
- One fixed shelf dividing upper and lower doors, four adjustable shelves
- Optional roll-out trays or additional shelves available
- Specify Right or Left hinge, Right hinge shown
- **NEW** FREE Depth Modification: 9" to 23" deep



**U182484**

### 24" Deep Two-Door Utility

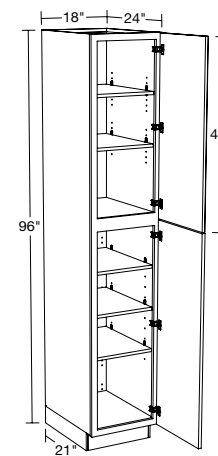
- One fixed shelf dividing upper and lower doors, five adjustable shelves
- Optional roll-out trays or additional shelves available
- Specify Right or Left hinge, Right hinge shown
- **NEW** FREE Depth Modification: 9" to 23" deep



**U182490**

### 24" Deep Two-Door Utility

- One fixed shelf dividing upper and lower doors, five adjustable shelves
- Optional roll-out trays or additional shelves available
- TSK96 is recommended if the cabinet will be on the end of a run
- Loose toe kick box for ease of installation
- Loose toe kick box will have a finished side, but will have a seam at bottom
- Specify Right or Left hinge, Right hinge shown
- **NEW** FREE Depth Modification: 9" to 23" deep

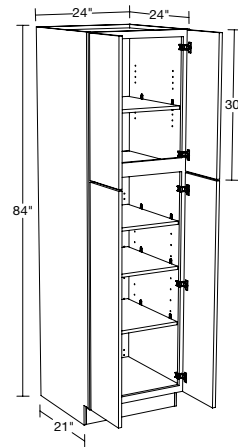


**U182496**



## 24" Deep Four-Door Utility

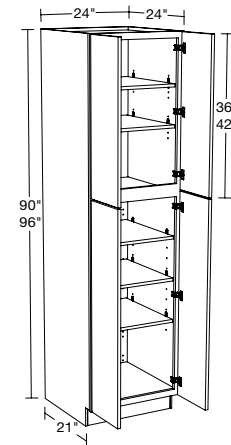
- One shelf dividing upper and lower doors, four adjustable shelves
- Optional roll-out trays or additional shelves available
- **NEW** FREE Depth Modification: 9" to 23" deep



U242484

## 24" Deep Four-Door Utility

- One fixed shelf dividing upper and lower doors, five adjustable shelves
- Optional roll-out trays or additional shelves available
- TSK96 is recommended if the cabinet will be on the end of a run
- On 96", loose toe kick box for ease of installation
- Loose toe kick box will have a finished side, but will have a seam at bottom
- **NEW** FREE Depth Modification: 9" to 23" deep

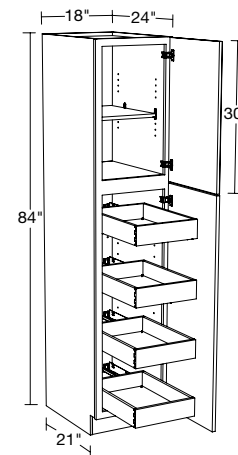


U242490

U242496

## 24" Deep Two-Door Utility with Four Roll-Out Trays

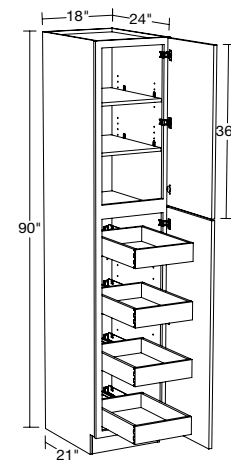
- One fixed shelf dividing upper and lower doors
- Four full-width, repositionable, full-extension, soft-close roll-out trays
- One adjustable shelf
- Specify Right or Left hinge, Right hinge shown



U182484-4T

## 24" Deep Two-Door Utility with Four Roll-Out Trays

- One fixed shelf dividing upper and lower doors
- Four full-width, repositionable, full-extension, soft-close roll-out trays
- Two adjustable shelves
- Specify Right or Left hinge, Right hinge shown



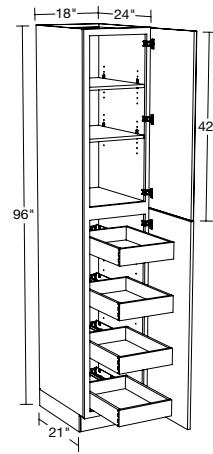
U182490-4T

# TALL CABINETS

## 24" Deep Two-Door Utility with Four Roll-Out Trays

- One fixed shelf dividing upper and lower doors
- Four full-width, repositionable, full-extension, soft-close roll-out trays
- Two adjustable shelves
- TSK96 is recommended if the cabinet will be on the end of a run
- Loose toe kick box for ease of installation
- Loose toe kick box will have a finished side, but will have a seam at bottom
- Specify Right or Left hinge, Right hinge shown

A H

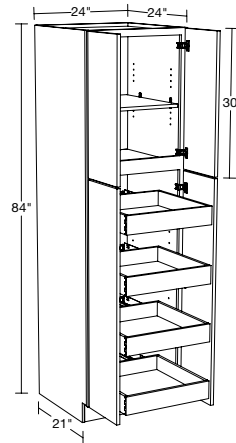


U182496-4T

## 24" Deep Four-Door Utility with Four Roll-Out Trays

- One fixed shelf dividing upper and lower doors
- Four full-width, repositionable, full-extension, soft-close roll-out trays
- One adjustable shelf

A

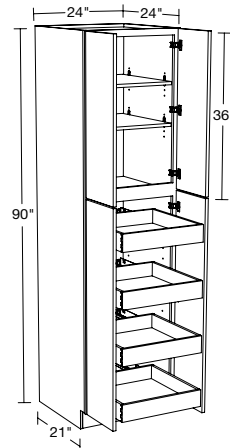


U242484-4T

## 24" Deep Four-Door Utility with Four Roll-Out Trays

- One fixed shelf dividing upper and lower doors
- Four full-width, repositionable, full-extension, soft-close roll-out trays
- Two adjustable shelves

A

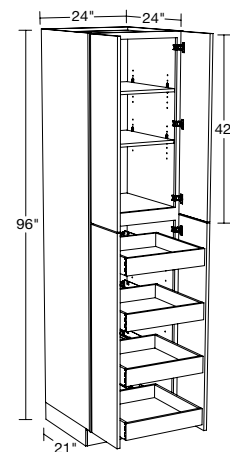


U242490-4T

## 24" Deep Four-Door Utility with Four Roll-Out Trays

- One fixed shelf dividing upper and lower doors
- Four full-width, repositionable, full-extension, soft-close roll-out trays
- Two adjustable shelves
- TSK96 is recommended if the cabinet will be on the end of a run
- Loose toe kick box for ease of installation
- Loose toe kick box will have a finished side, but will have a seam at bottom

A

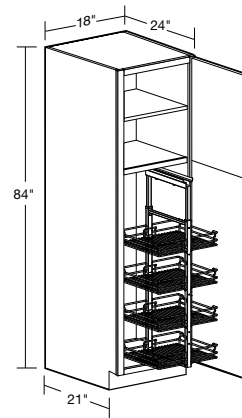


U242496-4T

## 24" Deep Two-Door Utility with Four Pull-Out Chrome Trays

- FIELD INSTALLED PULL-OUT UNIT
- Pull-out unit includes 4 chrome baskets and optional door mounts
- Top and bottom glides are soft closing and 250 lb. weight rated
- One fixed shelf dividing upper and lower door
- One adjustable upper shelf
- Specify Right or Left hinge, Right hinge shown

**F A H**

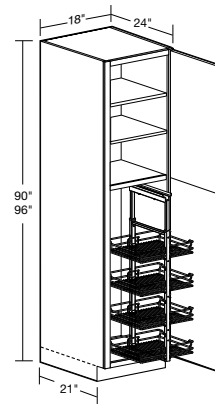


**U182484-P04WS**

## 24" Deep Two-Door Utility with Four Pull-Out Chrome Trays

- FIELD INSTALLED PULL-OUT UNIT
- Pull-out unit includes 4 chrome baskets and optional door mounts
- Top and bottom glides are soft closing and 250 lb. weight rated
- One fixed shelf dividing upper and lower door
- Two adjustable upper shelves
- On 96", loose toe kick box for ease of installation
- Loose toe kick box will have a finished side, but will have a seam at bottom
- For 96" unit TSK96 is recommended if the cabinet will be on the end of a run
- Specify Right or Left hinge, Right hinge shown

**F A H**



**U182490-P04WS**

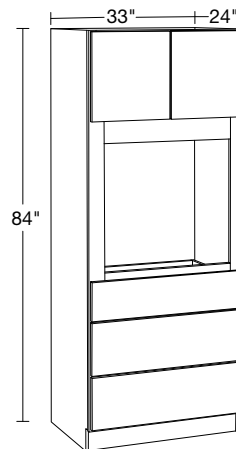
**U182496-P04WS**

## 24" Deep Universal Oven

- Consult chart for oven cutout dimensions
- No adjustable shelf
- 3 field removable drawers
- 3" stiles in oven compartment
- For frame openings refer to pages 88-90

**F**

CABINET	MIN CUTOUT WIDTH	MAX CUTOUT WIDTH	MIN CUTOUT HEIGHT	MAX CUTOUT HEIGHT
OC332484U	27"	31"	22"	55"



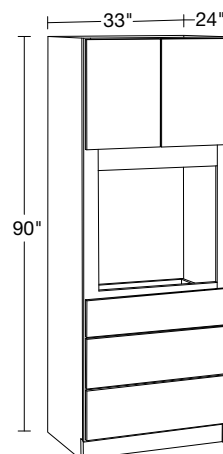
**OC332484U**

## 24" Deep Universal Oven

- Consult chart for oven cutout dimensions
- One adjustable shelf
- 3 field removable drawers
- 3" stiles in oven compartment
- For frame openings refer to pages 88-90

**F A**

CABINET	MIN CUTOUT WIDTH	MAX CUTOUT WIDTH	MIN CUTOUT HEIGHT	MAX CUTOUT HEIGHT
OC332490U	27"	31"	22"	55"



**OC332490U**

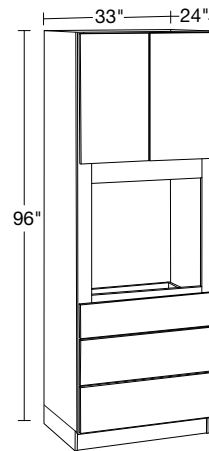
# TALL CABINETS

## 24" Deep Universal Oven

- Consult chart for oven cutout dimensions
- One adjustable shelf
- 3 field removable drawers
- 3" stiles in oven compartment
- Loose toe kick box for ease of installation
- Loose toe kick box will have a finished side, but will have a seam at bottom
- TSK96 is recommended if the cabinet will be on the end of a run
- For frame openings refer to pages 88-90

F A

CABINET	MIN WIDTH	MAX WIDTH	MIN HEIGHT	MAX HEIGHT
OC332496U	27"	31"	22"	55"

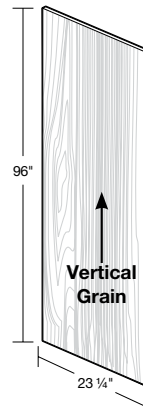


OC332496U

## Tall Skin

- 1/8" thick plywood panel finished to match the cabinet face frame
- Can be field modified for shallower depth or shorter tall cabinets
- Field installed

F

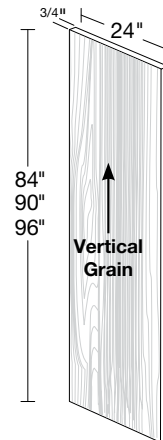


TSK96

## 24" Deep x 3/4" thick Refrigerator Panel

- 3/4" thick plywood panel finished to match the cabinet face frame
- Reversible, may be installed left or right

F

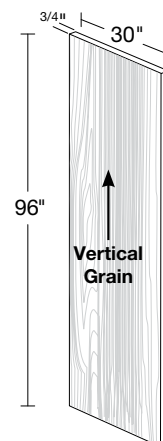


RP3484  
RP3490  
RP3496

## 30" Deep x 3/4" thick Refrigerator Panel

- 3/4" thick plywood panel finished to match the cabinet face frame
- Reversible, may be installed left or right

F



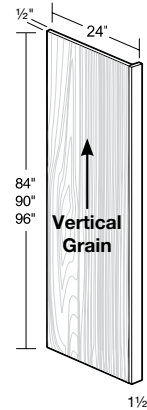
RP343096



## 24" Deep Refrigerator Panel with 1½" wide Filler

- Panel and 1½" wide filler supplied loose; field installed
- Solid wood filler for stained finishes. MDF filler for painted, RTF, and melamine door styles
- Reversible, may be installed left or right
- ½" thick plywood panel finished to match the cabinet face frame
- Top and bottom of filler is unfinished
- Filler can be trimmed down by ⅝"

F

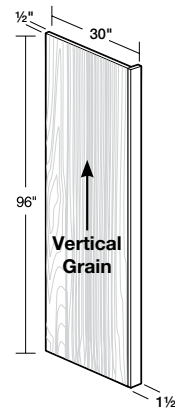


RP1.584  
RP1.590  
RP1.596

## 30" Deep Refrigerator Panel with 1½" wide Filler

- Panel and 1½" wide filler supplied loose; field installed
- Solid wood filler for stained finishes. MDF filler for painted, RTF, and melamine door styles
- Reversible, may be installed left or right
- ½" thick plywood panel finished to match the cabinet face frame
- Top and bottom of filler is unfinished
- Panel and filler can be trimmed for 84" and 90" applications

F

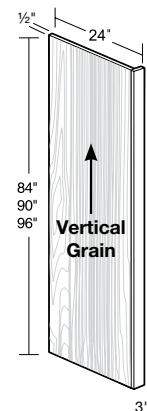


RP1.53096

## 24" Deep Refrigerator Panel with 3" wide Filler

- Panel and 3" wide filler supplied loose; field installed
- Solid wood filler for stained finishes. MDF filler for painted, RTF, and melamine door styles
- Reversible, may be installed left or right
- ½" thick plywood panel finished to match the cabinet face frame
- Top and bottom of filler is unfinished
- Filler can be trimmed down by ⅝"

F

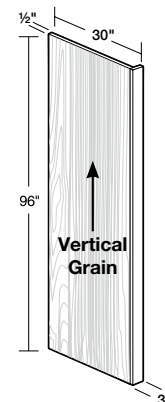


RP384  
RP390  
RP396

## 30" Deep Refrigerator Panel with 3" wide Filler

- Panel and 3" wide filler supplied loose; field installed
- Solid wood filler for stained finishes. MDF filler for painted, RTF, and melamine door styles
- Reversible, may be installed left or right
- ½" thick plywood panel finished to match the cabinet face frame
- Top and bottom of filler is unfinished
- Panel and filler can be trimmed for 84" and 90" applications

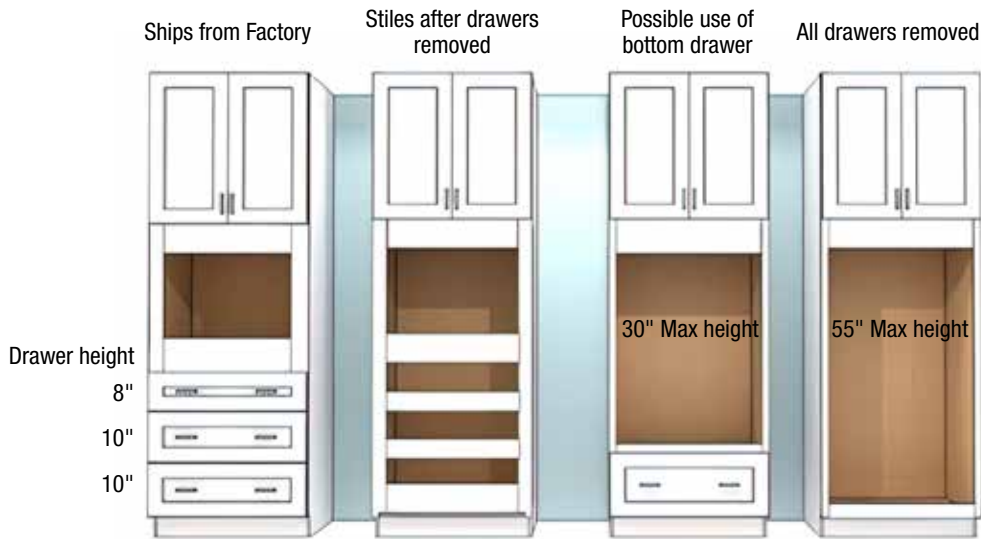
F



RP33096

# TALL CABINETS

## Universal Oven Cabinet



The Universal Oven cabinet will need to be modified on the job site to fit your specific appliance. By removing the drawers and stiles between the drawers, you can achieve an opening height between 21" and 55", and a maximum width of 31". The height of the upper doors will not be affected with these modifications. Your appliance size and the amount of modification required will determine if the drawers will be able to be used. In some instances, the top drawer may be dropped to the bottom position, thus allowing a drawer to remain. Installation and modification of the cabinet is completed on your job site, not in the factory. Support for the appliance is not supplied by the cabinet company and will need to be determined based on appliance manufacture requirement.

## TALL CABINET CODING

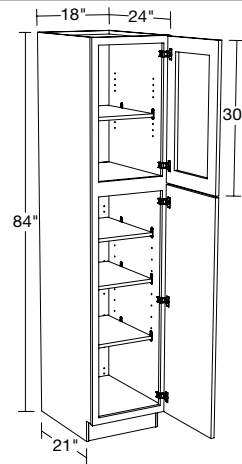
<b>U</b>	<b>24</b>	<b>24</b>	<b>84</b>
↑	↑	↑	↑
Cabinet Code	Cabinet Width	Cabinet Depth	Cabinet Height

- Standard Tall Cabinets are 24" deep
- Cabinet depth does not include door thickness
- Not available on RTF or melamine finished door styles
- Standard cabinet exterior sides are color matched to face frame
- Clear glass ships separate from cabinets and is field installed
- Matching interior is standard on PFG cabinets
- Soft-close hinges unless stated otherwise
- **Shelf adjustment holes on the interior sides and back of cabinet will be visible**

### 24" Deep Two-Door Utility

- Upper doors prepped for glass, matching cabinet interior throughout
- One fixed shelf dividing upper and lower doors, four adjustable shelves
- Optional roll-out trays or additional shelves available
- Specify Right or Left hinge, Right hinge shown
- **NEW** FREE Depth Modification: 9" to 23" deep

**F A H D**

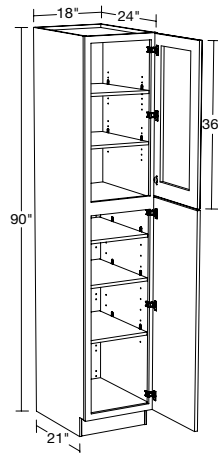


**U182484PFG**

### 24" Deep Two-Door Utility

- Upper doors prepped for glass, matching cabinet interior throughout
- One fixed shelf dividing upper and lower doors, five adjustable shelves
- Optional roll-out trays or additional shelves available
- Specify Right or Left hinge, Right hinge shown
- **NEW** FREE Depth Modification: 9" to 23" deep

**F A H D**

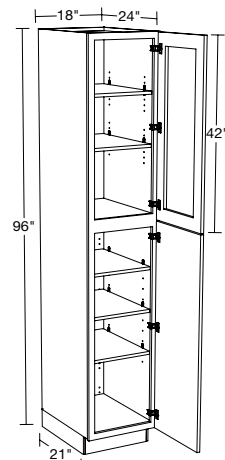


**U182490PFG**

### 24" Deep Two-Door Utility

- Upper doors prepped for glass, matching cabinet interior throughout
- One fixed shelf dividing upper and lower doors, five adjustable shelves
- Optional roll-out trays or additional shelves available
- TSK96 is recommended if the cabinet will be on the end of a run
- Loose toe kick box for ease of installation
- Loose toe kick box will have a finished side, but will have a seam at bottom
- Specify Right or Left hinge, Right hinge shown
- **NEW** FREE Depth Modification: 9" to 23" deep

**F A H D**

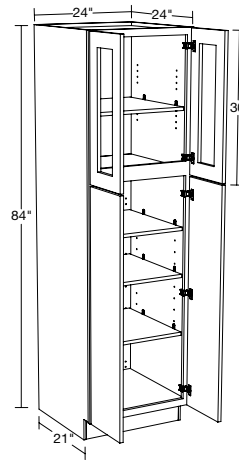


**U182496PFG**

# TALL CABINETS WITH GLASS DOORS

## 24" Deep Four-Door Utility

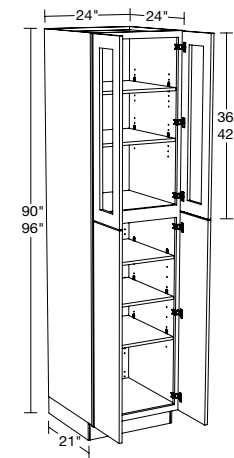
- Upper doors prepped for glass, matching cabinet interior throughout
- One fixed shelf dividing upper and lower doors, four adjustable shelves
- Optional roll-out trays or additional shelves available
- **NEW** FREE Depth Modification: 9" to 23" deep



U242484PFG

## 24" Deep Four-Door Utility

- Upper doors prepped for glass, matching cabinet interior throughout
- One fixed shelf dividing upper and lower doors, five adjustable shelves
- Optional roll-out trays or additional shelves available
- On 96", loose toe kick box for ease of installation
- Loose toe kick box will have a finished side, but will have a seam at bottom
- For 96" unit TSK96 is recommended if the cabinet will be on the end of a run
- **NEW** FREE Depth Modification: 9" to 23" deep

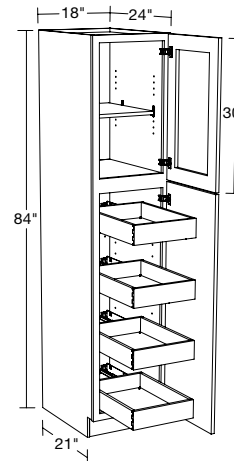


U242490PFG

U242496PFG

## 24" Deep Two-Door Utility with Four Roll-Out Trays

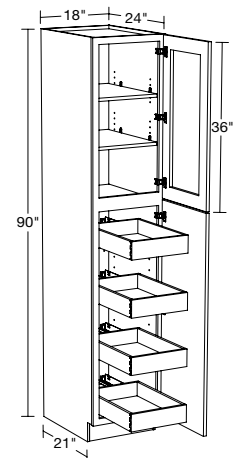
- Upper doors prepped for glass, matching cabinet interior throughout
- One fixed shelf dividing upper and lower doors
- Four full-width, repositionable, full-extension, soft-close roll-out trays in natural wood color
- One adjustable shelf
- Specify Right or Left hinge, Right hinge shown



U182484PFG-4T

## 24" Deep Two-Door Utility with Four Roll-Out Trays

- Upper doors prepped for glass, matching cabinet interior throughout
- One fixed shelf dividing upper and lower doors
- Four full-width, repositionable, full-extension, soft-close roll-out trays in natural wood color
- Two adjustable shelves
- Specify Right or Left hinge, Right hinge shown



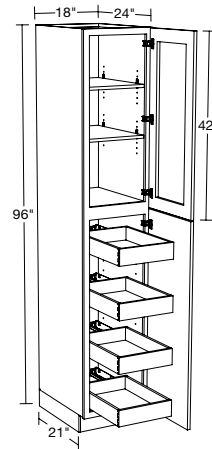
U182490PFG-4T

# TALL CABINETS WITH GLASS DOORS

## 24" Deep Two-Door Utility with Four Roll-Out Trays

- Upper doors prepped for glass, matching cabinet interior throughout
- One fixed shelf dividing upper and lower doors
- Four full-width, repositionable, full-extension, soft-close roll-out trays in natural wood color
- Two adjustable shelves
- TSK96 is recommended if the cabinet will be on the end of a run
- Loose toe kick box for ease of installation
- Loose toe kick box will have a finished side, but will have a seam at bottom
- Specify Right or Left hinge, Right hinge shown

F A H

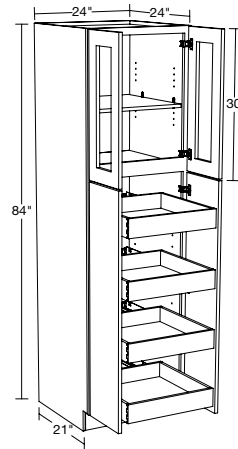


U182496PFG-4T

## 24" Deep Four-Door Utility with Four Roll-Out Trays

- Upper doors prepped for glass, matching cabinet interior throughout
- One fixed shelf dividing upper and lower doors
- Four full-width, repositionable, full-extension, soft-close roll-out trays
- One adjustable shelf

F A

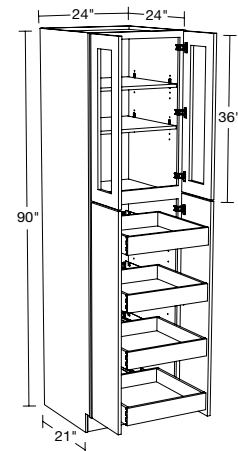


U242484PFG-4T

## 24" Deep Four-Door Utility with Four Roll-Out Trays

- Upper doors prepped for glass, matching cabinet interior throughout
- One fixed shelf dividing upper and lower doors
- Four full-width, repositionable, full-extension, soft-close roll-out trays
- Two adjustable shelves

F A

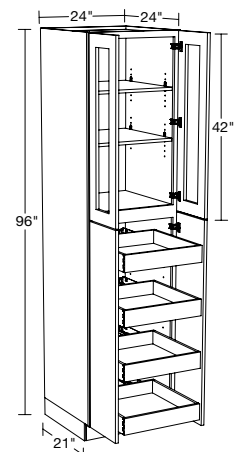


U242490PFG-4T

## 24" Deep Four-Door Utility with Four Roll-Out Trays

- Upper doors prepped for glass, matching cabinet interior throughout
- One fixed shelf dividing upper and lower doors
- Four full-width, repositionable, full-extension, soft-close roll-out trays
- Two adjustable shelves
- Loose toe kick box for ease of installation
- Loose toe kick box will have a finished side, but will have a seam at bottom
- TSK96 is recommended if the cabinet will be on the end of a run

F A



U242496PFG-4T

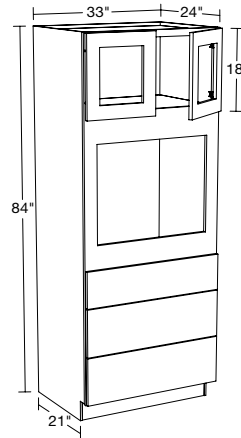
# TALL CABINETS WITH GLASS DOORS

## 24" Deep Universal Oven

- Upper doors prepped for glass, matching cabinet interior throughout
- Consult chart for oven cutout dimensions
- No adjustable shelf
- 3 field removable drawers
- 3" stiles in oven compartment
- For frame openings refer to pages 88-90

F

CABINET	MIN CUTOUT WIDTH	MAX CUTOUT WIDTH	MIN CUTOUT HEIGHT	MAX CUTOUT HEIGHT
OC332484U	27"	31"	22"	55"



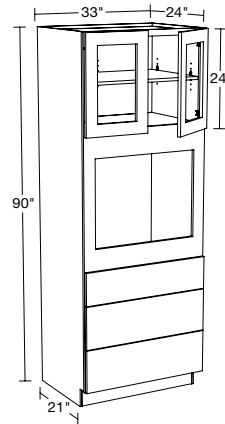
OC332484PFGU

## 24" Deep Universal Oven

- Upper doors prepped for glass, matching cabinet interior throughout
- Consult chart for oven cutout dimensions
- One adjustable shelf
- 3 field removable drawers
- 3" stiles in oven compartment
- For frame openings refer to pages 88-90

F A

CABINET	MIN CUTOUT WIDTH	MAX CUTOUT WIDTH	MIN CUTOUT HEIGHT	MAX CUTOUT HEIGHT
OC332490U	27"	31"	22"	55"



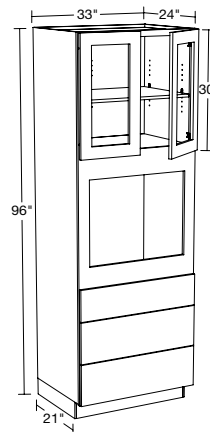
OC332490PFGU

## 24" Deep Universal Oven

- Upper doors prepped for glass, matching cabinet interior throughout
- Consult chart for oven cutout dimensions
- One adjustable shelf
- 3 field removable drawers
- 3" stiles in oven compartment
- Loose toe kick box for ease of installation
- Loose toe kick box will have a finished side, but will have a seam at bottom
- TSK96 is recommended if the cabinet will be on the end of a run
- For frame openings refer to pages 88-90

F A

CABINET	MIN WIDTH	MAX WIDTH	MIN HEIGHT	MAX HEIGHT
OC332496U	27"	31"	22"	55"

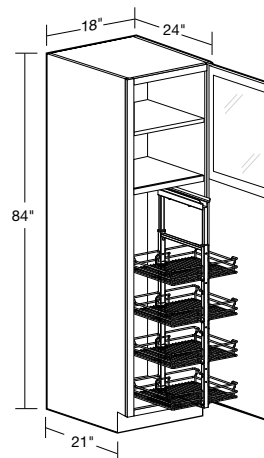


OC332496PFGU

## 24" Deep Two-Door Utility with Four Pull-Out Chrome Trays

- Upper doors prepped for glass, matching cabinet interior throughout
- FIELD INSTALLED PULL-OUT UNIT
- Pull-out unit includes 4 chrome baskets and optional door mounts
- Top and bottom glides are soft closing and 250 lb. weight rated
- One fixed shelf dividing upper and lower door
- One adjustable upper shelf
- Specify Right or Left hinge, Right hinge shown

F A H



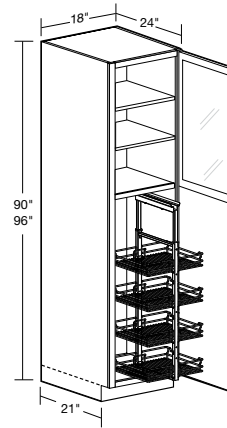
U182484PFG-P04WS

F Field Installed A Adjustable Shelf H L or R Hinge D Depth Modification

## TALL CABINETS WITH GLASS DOORS

### 24" Deep Two-Door Utility with Four Pull-Out Chrome Trays

- Upper doors prepped for glass, matching cabinet interior throughout
- FIELD INSTALLED PULL-OUT UNIT
- Pull-out unit includes 4 chrome baskets and optional door mounts
- Top and bottom glides are soft closing and 250 lb. weight rated
- One fixed shelf dividing upper and lower door
- Two adjustable upper shelves
- On 96", loose toe kick box for ease of installation
- Loose toe kick box will have a finished side, but will have a seam at bottom
- For 96" unit TSK96 is recommended if the cabinet will be on the end of a run
- Specify Right or Left hinge, Right hinge shown

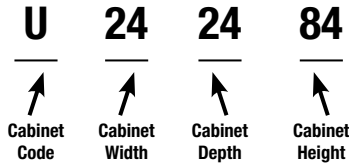


**U182490PFG-P04WS**

**U182496PFG-P04WS**

# TALL CABINETS WITH NO DOORS

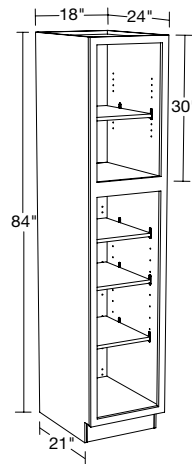
## TALL CABINET CODING



- Standard Tall Cabinets are 24" deep
- Standard cabinet exterior sides are color matched to face frame
- Matching interior is standard on ND cabinets
- **Shelf adjustment holes on the interior sides and back of cabinet will be visible**

### 24" Deep No Door Utility

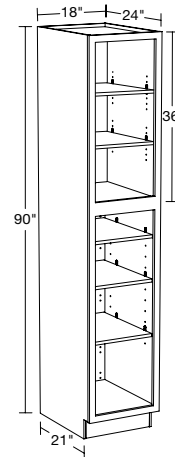
- One fixed shelf dividing upper and lower section, four adjustable shelves
- **NEW** FREE Depth Modification: 9" to 23" deep



**U182484ND**

### 24" Deep No Door Utility

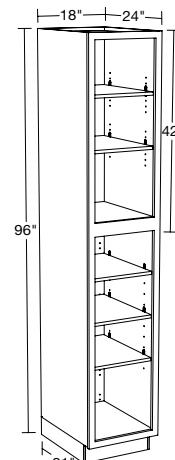
- One fixed shelf dividing upper and lower section, five adjustable shelves
- **NEW** FREE Depth Modification: 9" to 23" deep



**U182490ND**

### 24" Deep No Door Utility

- One fixed shelf dividing upper and lower section, five adjustable shelves
- TSK96 is recommended if the cabinet will be on the end of a run
- Loose toe kick box for ease of installation
- Loose toe kick box will have a finished side, but will have a seam at bottom
- **NEW** FREE Depth Modification: 9" to 23" deep



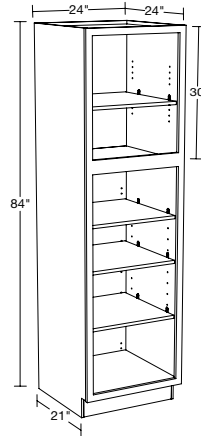
**U182496ND**



# TALL CABINETS WITH NO DOORS

## 24" Deep No Door Utility

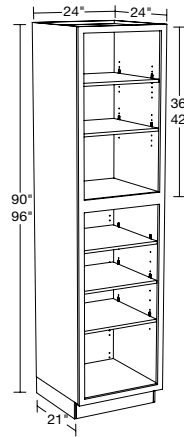
- One fixed shelf dividing upper and lower section, four adjustable shelves
- **NEW** FREE Depth Modification: 9" to 23" deep



**U242484ND**

## 24" Deep No Door Utility

- One fixed shelf dividing upper and lower section, five adjustable shelves
- On 96", loose toe kick box for ease of installation
- Loose toe kick box will have a finished side, but will have a seam at bottom
- For 96" unit TSK96 is recommended if the cabinet will be on the end of a run
- **NEW** FREE Depth Modification: 9" to 23" deep



**U242490ND**

**U242496ND**

# TALL CABINETS

---

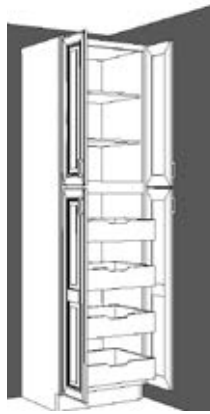
## Modify the Depth of a Tall Cabinet

Modify the depth of a 24" wide utility cabinet (U242484, U242490, or U242496) down to 12" and use it facing out next to a refrigerator or another utility cabinet for shallow food storage, storing brooms/mops, or create a hidden message center.



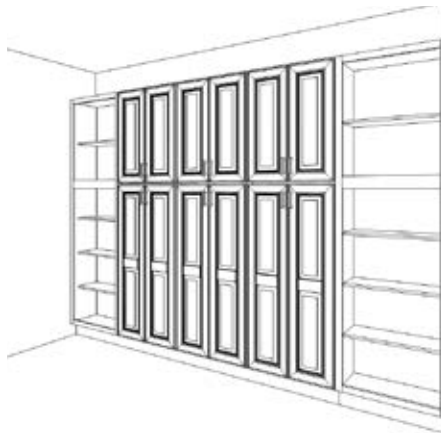
## Clearance for Roll-Out Trays

Be sure to leave enough clearance for doors to open at least 90° when placing next to wall or refrigerator cabinet. This will allow the roll-out trays to operate correctly.



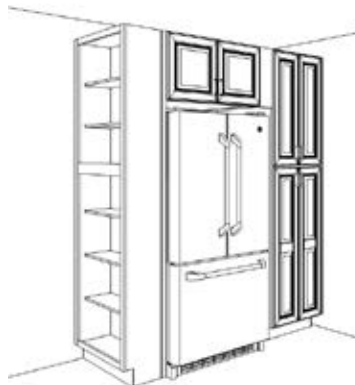
## Modify the Depth of a Tall Cabinet

A narrow alcove in your kitchen or a pantry like storage area can be transformed into an entire wall of open and closed storage by using a combination of ND and Standard Tall cabinets with a reduced depth.

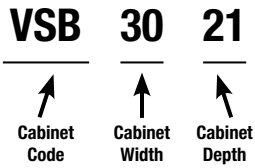


## Modify the Depth of a Tall Cabinet

Modify the depth of a 24" wide Utility cabinet with no doors (U242484ND, U242490ND, or U242496ND) down to 12" and use it facing out next to a refrigerator or another utility cabinet for open storage and an interesting transition in the kitchen.



## VANITY CABINET CODING



- Standard Vanity Base Cabinets are 21" deep and 34½" high
- Standard Desk Cabinets are 21" deep and 28½" high
- Cabinet depth does not include door thickness
- Depth modifications are available where indicated. Use Standard Base Cabinet coding to order as specified
- Products are available in all doors styles unless stated otherwise
- Standard cabinet exterior sides are color matched to face frame
- Base cabinets are shipped with an unfinished toe kick. Matching Toe Kick (MTK8) must be ordered separately, and field installed
- **Soft-close hinges and full-extension drawer glides unless stated otherwise**

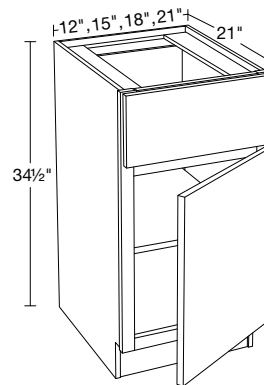
### 21" Deep Single Door Vanity Base

- One full-depth adjustable shelf
- One standard drawer
- Specify Right or Left hinge, Right hinge shown



#### For Depth Modifications

- Order B12, B15, B18 or B21
- Select 9" to 23" depth
- 9" to 14" deep have false fronts & no drawer



**STANDARD  
21" DEPTHS**

**VB1221  
VB1521  
VB1821  
VB2121**

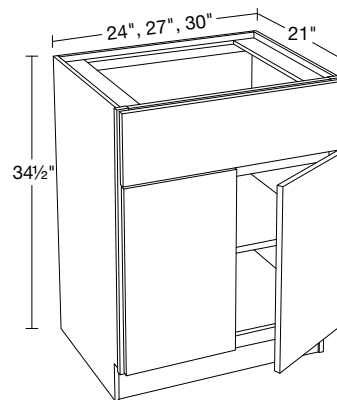
### 21" Deep Double Door Vanity Base

- One full-depth adjustable shelf
- One standard drawer



#### For Depth Modifications

- Order B24, B27 or B30
- Select 9" to 23" depth
- 9" to 14" deep have false fronts & no drawer



**STANDARD  
21" DEPTHS**

**VB2421  
VB2721  
VB3021**

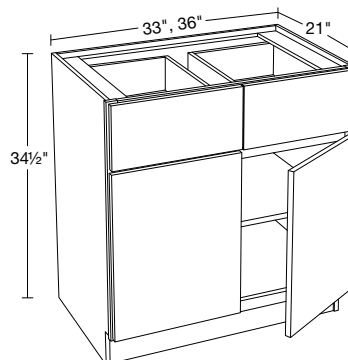
### 21" Deep Double Door Vanity Base

- One full-depth adjustable shelf
- Two standard drawers



#### For Depth Modifications

- Order B33 or B36
- Select 9" to 23" depth
- 9" to 14" deep have false fronts & no drawer



**STANDARD  
21" DEPTHS**

**VB3321  
VB3621**

# VANITY & DESK CABINETS

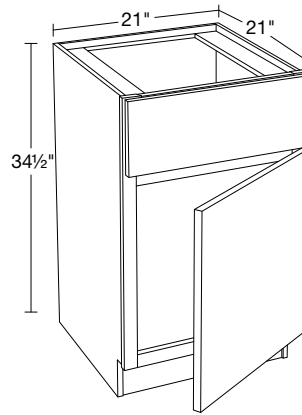
## 21" Deep Single Door Vanity Sink Base

- Maximum sink cutout 19" wide
- No adjustable shelf
- False drawer front
- Specify Right or Left hinge, Right hinge shown

**H**

### For Depth Modifications

- Order SB21
- Select 9" to 23" depth



STANDARD  
21" DEPTHS

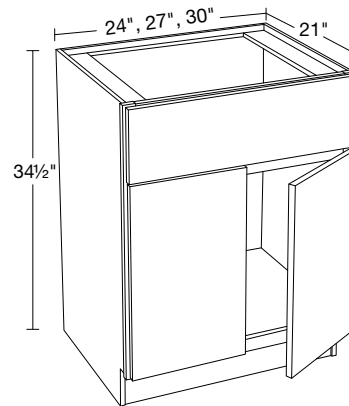
**VSB2121**

## 21" Deep Double Door Vanity Sink Base

- No adjustable shelf
- False drawer front

### For Depth Modifications

- Order SB24, SB27 or SB30
- Select 9" to 23" depth



STANDARD  
21" DEPTHS

**VSB2421**

**VSB2721**

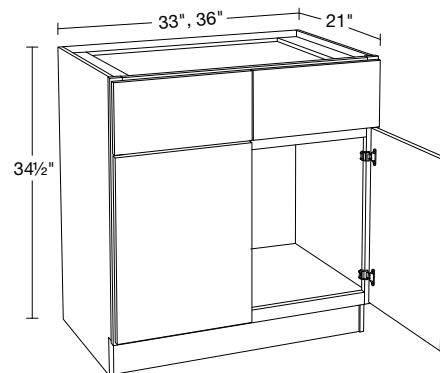
**VSB3021**

## 21" Deep Double Door Vanity Sink Base

- No adjustable shelf
- Two false fronts

### For Depth Modifications

- Order SB33 or SB36
- Select 9" to 23" depth



STANDARD  
21" DEPTHS

**VSB3321**

**VSB3621**

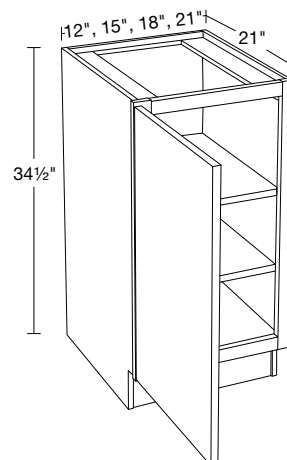
## 21" Deep Single Full-Height Door Vanity Base

- Two adjustable shelves
- Specify Right or Left hinge, Left hinge shown

**A H**

### For Depth Modifications

- Order B12FH, B15FH, B18FH or B21FH
- Select 9" to 23" depth



STANDARD  
21" DEPTHS

**VB1221FH**

**VB1521FH**

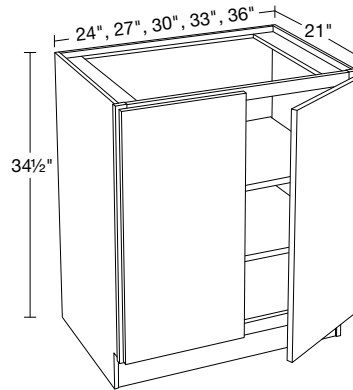
**VB1821FH**

**VB2121FH**

## 21" Deep Double Full-Height Door Vanity Base

- Two adjustable shelves

**A**



STANDARD  
21" DEPTHS

**VB2421FH**  
**VB2721FH**  
**VB3021FH**  
**VB3321FH**  
**VB3621FH**

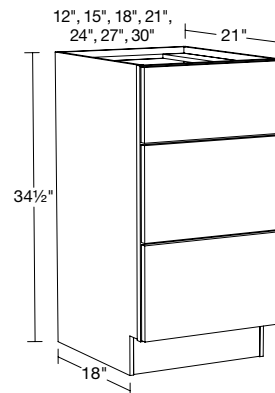
### For Depth Modifications

- Order B24FH, B27FH, B30FH or B36FH
- Select 9" to 23" depth

## 21" Deep Vanity Base Drawer

- One standard drawer
- Two deep drawers

\*Maximum drawer handle width for drawers is 4" wide for raised panel styles, 5 1/2" wide for recessed panel styles.



STANDARD  
21" DEPTHS

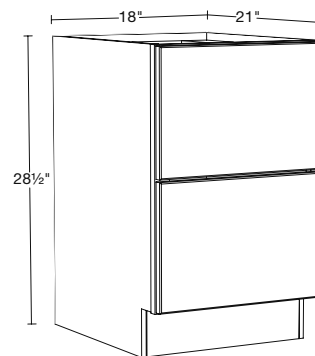
**VBD1221\***  
**VBD1521**  
**VBD1821**  
**VBD2121**  
**VBD2421**  
**VBD2721**  
**VBD3021**

### For Depth Modifications

- Order BD12, BD15, BD18, BD21, BD24, BD27, or BD30
- Select 15" to 23" depth

## 21" Deep Desk Drawer

- Two extra-deep drawers
- Comfortable height for dressing table or writing surface
- Not available in RTF or melamine finishes
- Does not support hanging files

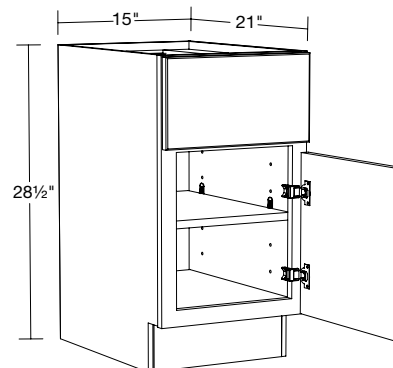


**DDR18**

## 21" Deep Desk Door

- One adjustable shelf
- Comfortable height for dressing table or writing surface
- Not available in RTF or melamine finishes
- Specify Right or Left hinge, Right hinge shown

**A H**



**DD015**

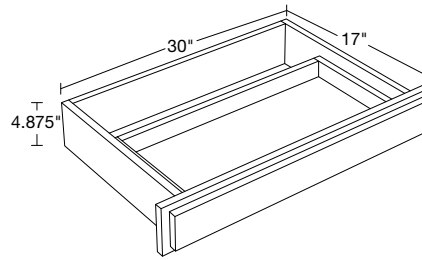
# VANITY & DESK CABINETS

---

## 21" Deep Desk Knee Drawer

DKD30

- One full-width drawer
- Knee drawer is designed to be installed between two base cabinets
- Comfortable height for dressing table or writing surface when installed at 28½" height with 1½" thick countertop
- Flat panel drawer front for all door styles
- May be trimmed up to 1" on each side
- Not available in RTF or melamine finishes
- **SOFT-CLOSE DOOR (SCD) OPTION NOT AVAILABLE**



F

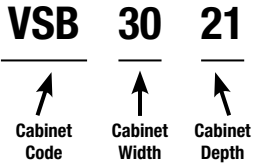
---

---

---

# VANITY & DESK CABINETS WITH NO DOORS

## VANITY CABINET CODING

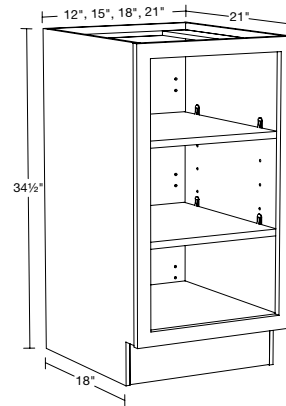


- Standard Vanity Base Cabinets are 21" deep and 34 1/2" high
- Matching interior is standard on PFG cabinets
- Depth modifications are available where indicated. Use Standard Base Cabinet coding to order as specified
- Products are available in all doors styles unless stated otherwise
- Standard cabinet exterior sides are color matched to face frame
- Base cabinets are shipped with an unfinished toe kick. Matching Toe Kick (MTK8) must be ordered separately, and field installed
- **Shelf adjustment holes on the interior sides and back of cabinet will be visible**

### 21" Deep Single Door Vanity Base

- Two adjustable shelves that match cabinet face frame

**A**



**STANDARD  
21" DEPTHS**

**VB1221ND  
VB1521ND  
VB1821ND  
VB2121ND**

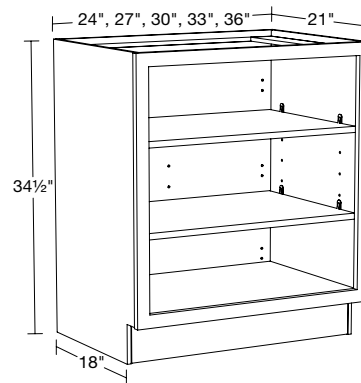
#### For Depth Modifications

- Order B12ND, B15ND, B18ND or B21ND
- Select 9" to 23" depth

### 21" Deep Double Door Vanity Base

- Two adjustable shelves that match cabinet face frame

**A**



**STANDARD  
21" DEPTHS**

**VB2421ND  
VB2721ND  
VB3021ND  
VB3321ND  
VB3621ND**

#### For Depth Modifications

- Order B24ND, B27ND, B30ND or B36ND
- Select 9" to 23" depth

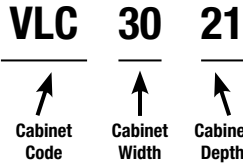
### Using ND Vanity Cabinets

Use a ND cabinet as narrow as VB1521ND in your bathroom to store rolled towels or wash cloths.



# VANITY LINEN CABINETS

## VANITY CABINET CODING



- Standard Vanity Cabinets are 21" deep
- Cabinet depth does not include door thickness
- Depth Modifications are available where indicated. Use Standard Base Cabinet coding to order as specified
- Standard cabinet exterior sides are color matched to face frame

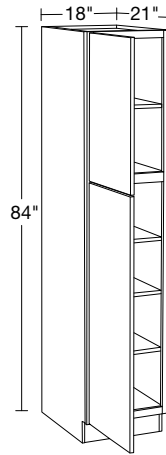
### 21" Deep Two-Door Linen

- One fixed shelf dividing upper and lower sections, four adjustable shelves
- Specify Right or Left hinge, Left hinge shown



#### For Depth Modifications

- Order U182484
- Select 9" to 23" depth



**STANDARD  
21" DEPTHS  
VLC182184**

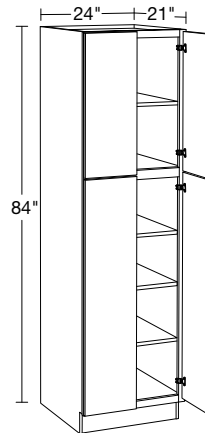
### 21" Deep Four-Door Linen

- One fixed shelf dividing upper and lower sections, four adjustable shelves



#### For Depth Modifications

- Order U242484
- Select 9" to 23" depth

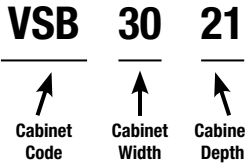


**STANDARD  
21" DEPTHS  
VLC242184**



# VANITY LINEN CABINETS WITH GLASS DOORS

## VANITY CABINET CODING



- Standard Vanity Linen Cabinets are 21" deep
- Cabinet depth does not include door thickness
- Depth modifications are available where indicated. Use Standard Base Cabinet coding to order as specified
- Not available on RTF or melamine finished door styles
- Standard cabinet exterior sides are color matched to face frame
- Clear glass ships separate from cabinets and is field installed
- Matching interior is standard on PFG cabinets
- Soft-close hinges unless stated otherwise
- **Shelf adjustment holes on the interior sides and back of cabinet will be visible**

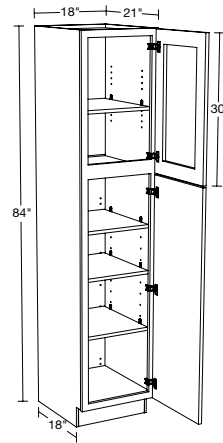
### 21" Deep Two-Door Linen

- Upper doors prepped for glass, matching cabinet interior throughout
- One fixed shelf dividing upper and lower doors, four adjustable shelves
- Specify Right or Left hinge, Right hinge shown



#### For Depth Modifications

- Order U182484PFG
- Select 9" to 23" depth



STANDARD  
21" DEPTHS

VLC182184PFG

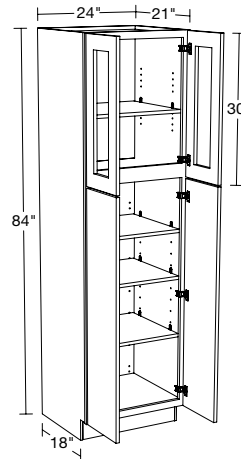
### 21" Deep Four-Door Linen

- Upper doors prepped for glass, matching cabinet interior throughout
- One fixed shelf dividing upper and lower doors, four adjustable shelves



#### For Depth Modifications

- Order U242484PFG
- Select 9" to 23" depth



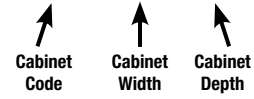
STANDARD  
21" DEPTHS

VLC242184PFG

# VANITY LINEN CABINETS WITH NO DOORS

## VANITY CABINET CODING

**VLC 30 21**



- Standard Vanity Linen Cabinets are 21" deep
- Standard cabinet exterior sides are color matched to face frame
- Depth modifications are available where indicated. Use Standard Base Cabinet coding to order as specified
- Matching interior is standard on ND cabinets
- **Shelf adjustment holes on the interior sides and back of cabinet will be visible**

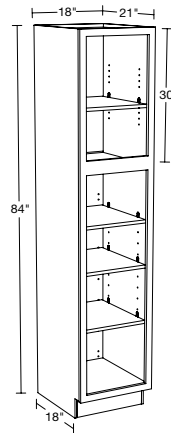
### 21" Deep No Door Linen

- One fixed shelf dividing upper and lower sections, four adjustable shelves

**A**

#### For Depth Modifications

- Order U182484ND
- Select 9" to 23" depth



**STANDARD  
21" DEPTHS  
VLC182184ND**

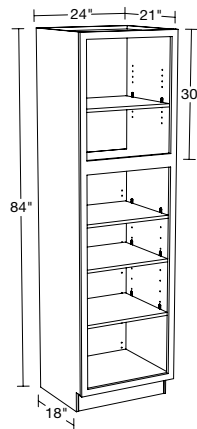
### 21" Deep No Door Linen

- One fixed shelf dividing upper and lower sections, four adjustable shelves

**A**

#### For Depth Modifications

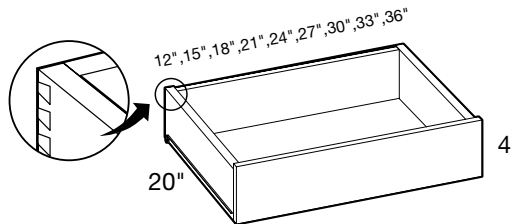
- Order U242484ND
- Select 9" to 23" depth



**STANDARD  
21" DEPTHS  
VLC242184ND**

## Roll-Out Tray Kits

- 5/8" Solid wood dovetail construction
- Includes soft-close, full-extension, undermount glides
- 90 lb. load capacity
- Available for use in base and tall cabinets
- Field-install into factory pre-drilled locations only
- Consult availability guide
- Roll-out trays not available for Vanity Linen Cabinets or reduced depth cabinets
- The roll-out trays are natural birch in color and will not be color matched if added to a PFG or No door cabinet with matching interior



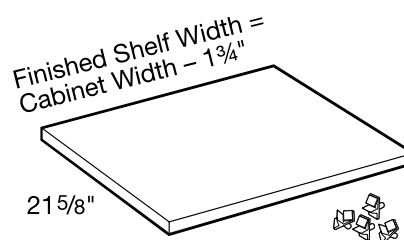
ROT12  
ROT15  
ROT18  
ROT21  
ROT24  
ROT27  
ROT30  
ROT33  
ROT36

F

ROLL-OUT TRAY KIT AVAILABILITY GUIDE		
PART#	DESIGNED TO FIT	ACTUAL WIDTH
ROT12	B12, B12FH	8"
ROT15	B15, B15FH	11"
ROT18	B18, B18FH, U182484 / 90 / 96	14"
ROT21	B21, B21FH	17"
ROT24	B24, B24FH, SB24, U242484 / 90 / 96	20"
ROT27	B27, B27FH, SB27	23"
ROT30	B30, B30FH, SB30	26"
ROT33	B33, B33FH, SB33	29"
ROT36	B36, B36FH, SB36	32"

## Base Cabinet Shelf Kits

- 3/4" thick plywood with natural birch finish and matching edge banding
- Edgebanded on front edge
- One shelf and set of clips per kit
- Consult availability guide



SK1224  
SK1524  
SK1824  
SK2124  
SK2424  
SK2724  
SK3024  
SK3324  
SK3624

F

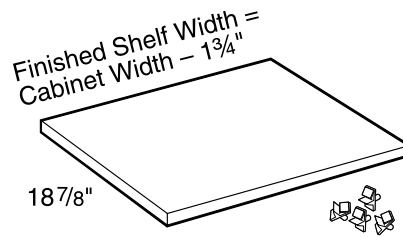
SHELF KIT AVAILABILITY GUIDE		
PART#	DESIGNED TO FIT	ACTUAL WIDTH
SK1224	B12, B12FH	10 1/4"
SK1524	B15, B15FH	13 1/4"
SK1824	B18, B18FH, U182484/96	16 1/4"
SK2124	B21, B21FH	19 1/4"
SK2424	B24, B24FH, SB24, U242484 / 90 / 96	22 1/4"
SK2724	B27, B27FH, SB27	25 1/4"
SK3024	B30, B30FH, SB30, BBCU39	28 1/4"
SK3324	B33, B33FH, SB33, OC332484U / 90U / 96U	31 1/4"
SK3624	B36, B36FH, SB36, BBCU42	34 1/4"

# ACCESSORIES

## Vanity Shelf Kit

- ¾" thick plywood with natural birch finish and matching edge banding
- Edgebanded on front edge
- One shelf and set of clips per kit
- Consult availability guide
- EXAMPLE: 36" wide vanity cabinet uses VSK3621

F

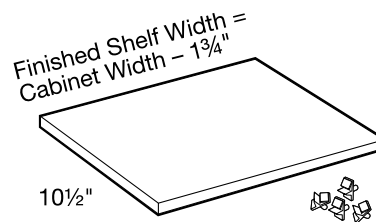


- VSK1221
- VSK1521
- VSK1821
- VSK2121
- VSK2421
- VSK2721
- VSK3021
- VSK3321
- VSK3621

## Wall Cabinet Shelf Kits

- ¾" thick plywood with natural birch finish and matching edge banding
- Edgebanded on front edge
- One shelf and set of clips per kit
- Consult availability guide
- EXAMPLE: 36" wide wall cabinet uses SK3612

F

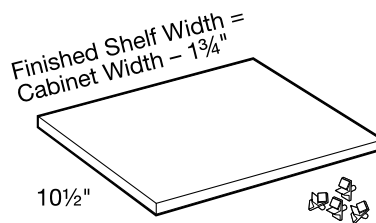


- SK1212
- SK1512
- SK1812
- SK2112
- SK2412
- SK2712
- SK3012
- SK3312
- SK3612

## Matching Interior Wall Cabinet Shelf Kits

- Shelf kits are ¾" thick plywood finished to match cabinet face frame
- Edgebanded on front edge
- One shelf and set of clips per kit
- Consult availability guide
- EXAMPLE: 36" wide wall cabinet uses SK3612MI

F



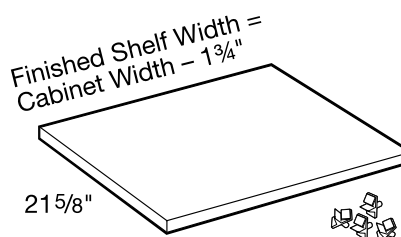
- SK1212MI
- SK1512MI
- SK1812MI
- SK2112MI
- SK2412MI
- SK2712MI
- SK3012MI
- SK3312MI
- SK3612MI

SHELF KIT AVAILABILITY GUIDE FOR WALLS		
PART#	DESIGNED TO FIT	ACTUAL WIDTH
SK1212MI	W1230/36/42-PFG, W1230/36/42-ND	10¼"
SK1512MI	W1530/36/42-PFG, W1530/36/42-ND	13¼"
SK1812MI	W1830/36/42-PFG, W1830/36/42-ND	16¼"
SK2112MI	W2130/36/42-PFG, W2130/36/42-ND	19¼"
SK2412MI	W2430/36/42-PFG, W2430/36/42-ND	22¼"
SK2712MI	W2730/36/42-PFG, W2730/36/42-ND	25¼"
SK3012MI	W3024/30/36/42-PFG, W3024/30/36/42-ND	28¼"
SK3312MI	W3330/36/42-PFG, W3330/36/42-ND	31¼"
SK3612MI	W3624/30/36/42-PFG, W3624/30/36/42-ND	34¼"

## Matching Interior Base Cabinet Shelf Kits

- Shelf kits are  $\frac{3}{4}$ " thick plywood with natural birch finish and matching edge banding
- Edgebanded on front edge
- One shelf and set of clips per kit
- Consult availability guide

F



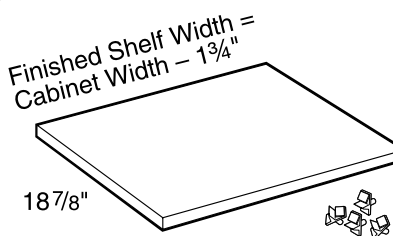
- SK1224MI
- SK1524MI
- SK1824MI
- SK2124MI
- SK2424MI
- SK2724MI
- SK3024MI
- SK3324MI
- SK3624MI

SHELF KIT AVAILABILITY GUIDE FOR BASES/TALLS		
PART#	DESIGNED TO FIT	ACTUAL WIDTH
SK1224MI	B12ND	10 $\frac{1}{4}$ "
SK1524MI	B15ND	13 $\frac{1}{4}$ "
SK1824MI	B18ND, U182484/90/96-PFG, U182484/90/96-ND	16 $\frac{1}{4}$ "
SK2124MI	B21ND	19 $\frac{1}{4}$ "
SK2424MI	B24ND, U242484/90/96-PFG, U242484/90/96-ND	22 $\frac{1}{4}$ "
SK2724MI	B27ND	25 $\frac{1}{4}$ "
SK3024MI	B30ND, W302424PFG, W302424ND	28 $\frac{1}{4}$ "
SK3324MI	B33ND, OC332484/90/96U	31 $\frac{1}{4}$ "
SK3624MI	B36ND, W362424PFG, W362424ND	34 $\frac{1}{4}$ "

## Matching Interior Vanity Shelf Kit

- Shelf kits are  $\frac{3}{4}$ " thick plywood with natural birch finish and matching edge banding
- Edgebanded on front edge
- EXAMPLE: 36" wide vanity cabinet uses VSK3621MI

F

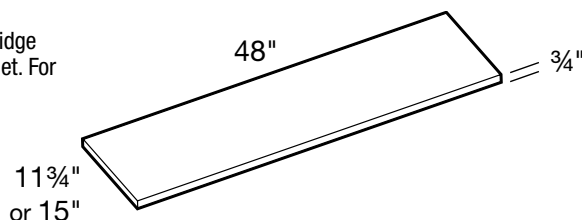


- VSK1221MI
- VSK1521MI
- VSK1821MI
- VSK2121MI
- VSK2421MI
- VSK2721MI
- VSK3021MI
- VSK3321MI
- VSK3621MI

## Wood Furniture Shelf

- $\frac{3}{4}$ " thick plywood color matched to cabinetry face frame
- The two longer sides are edge banded
- DESIGN TIP: Use a wood furniture shelf to finish the bottom of bridge cabinets where you will be able to see the underside of the cabinet. For example: Over a sink

F

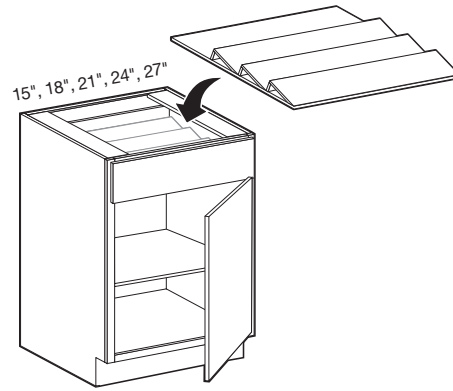


- WFS48
- WFS4815

# ACCESSORIES

## Spice Drawer Insert

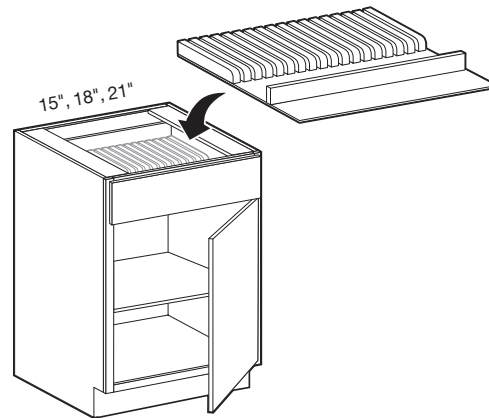
- Solid hardwood drawer insert
- Three 5" high angled tiers
- Rear 4" deep compartment
- Sized to fit inside 15", 18", 21", 24", 27" wide drawers
- Not for use in modified depth cabinets



**SDI15**  
**SDI18**  
**SDI21**  
**SDI24**  
**SDI27**

## Knife Block Insert

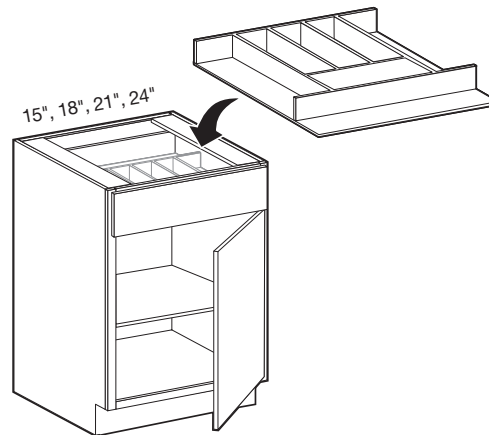
- Solid hardwood drawer insert
- One full-width front utensil compartment
- KBI15: 10 knife slots + utensil compartment (fits B15, BD15)
- KBI18: 13 knife slots + utensil compartment (fits B18, BD18, B36, BD36)
- KBI21: 16 knife slots + utensil compartment (fits B21)
- Not for use in modified depth cabinets



**KBI15**  
**KBI18**  
**KBI21**

## Cutlery Divider Tray

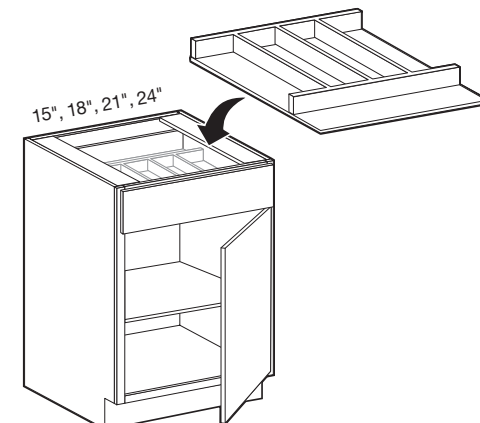
- Solid hardwood drawer insert
- One full-width front utensil compartment
- CDT15: 6 compartments 10"-14" deep (fits B15, BD15)
- CDT18: 6 compartments 10"-14" deep (fits B18, BD18, B36, BD36)
- CDT21: 8 compartments 10"-14" deep (fits B21)
- CDT24: 8 compartments 10"-14" deep (fits B24, BD24)
- Not for use in modified depth cabinets



**CDT15**  
**CDT18**  
**CDT21**  
**CDT24**

## Utensil Divider Tray

- Solid hardwood drawer insert
- One full-width front utensil compartment
- UTD15: 2 additional compartments 16" deep (fits B15, BD15)
- UTD18: 4 additional compartments 16" deep (fits B18, BD18, B36, BD36)
- UTD21: 5 additional compartments 16" deep (fits B21)
- UTD24: 5 additional compartments 16" deep (fits B24, BD24)
- Not for use in modified depth cabinets

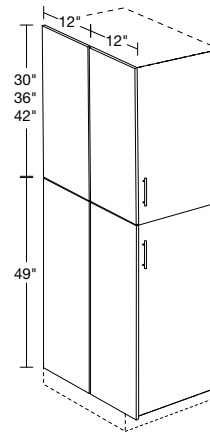


**UTD15**  
**UTD18**  
**UTD21**  
**UTD24**

## Matching Tall End Panels

- 3/4" thick
- Field installation
- Will arrive as four separate panels for Left or Right side application
- Cannot be used in conjunction with modified depth cabinets
- RTF and melamine matching end panels will not be notched. Use a field trimmable TSK96 before adding the end panels for a flush application

F

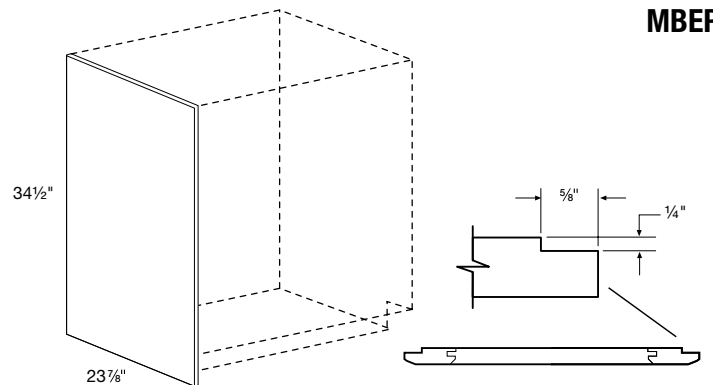


**MUEK84**  
**MUEK90**  
**MUEK96**

## Matching Base End Panel

- 3/4" thick
- Field installation
- Panel is for Left or Right application
- Cannot be used in conjunction with modified depth cabinets
- RTF and melamine matching end panels will not be notched. Use a field trimmable BSK345 before adding the end panel for a flush application

F



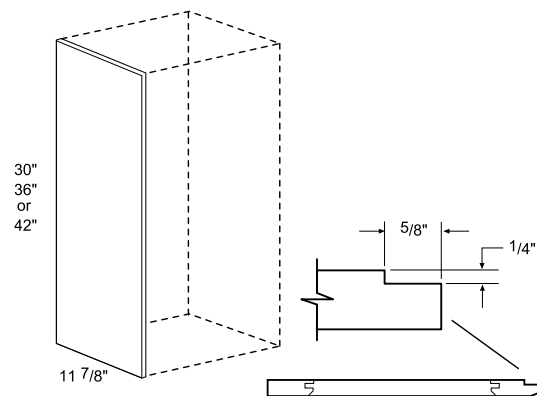
**MBEP**

\*Only painted and stained end panels are notched

## Matching Wall End Panels

- 3/4" thick
- Field installation
- Panel is for Left or Right application
- Cannot be used in conjunction with modified depth cabinets
- RTF and melamine matching end panels will not be notched. Use a field trimmable WSK1542 before adding the end panels for a flush application

F



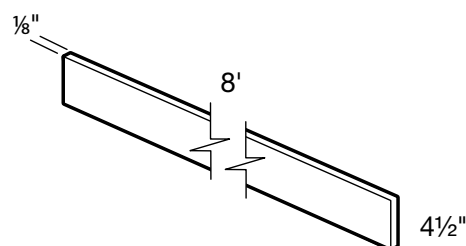
**MWEP30**  
**MWEP36**  
**MWEP42**

\*Only painted and stained end panels are notched

## 8' Finished Toe Kick – Matches Frame Color

- 1/8" thick plywood finished to match the cabinet face frame
- Field modified and installed

F



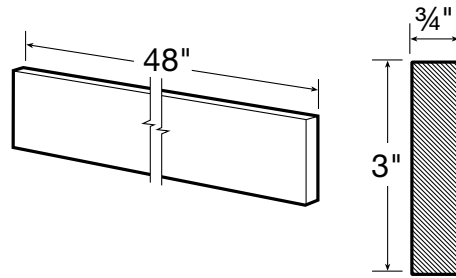
**MTK8**

# ACCESSORIES

## 48" Valance

- 3/4" thick solid wood for stained finishes
- 3/4" thick MDF for painted, RTF, and melamine finishes
- May be trimmed on each end

F

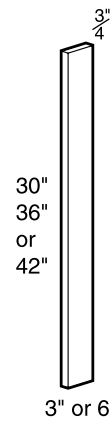


VA48

## Filler Strips

- 3/4" thick solid wood for stained finishes
- 3/4" thick MDF for painted, RTF, and melamine finishes
- Face and sides finished

F



FS30

FS36

FS42

FS84

FS630

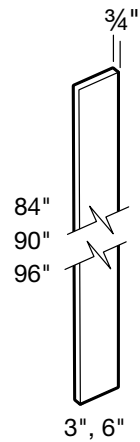
FS636

FS642

## Tall Filler Strips

- 3/4" thick solid wood for stained finishes
- 3/4" thick MDF for painted, RTF, and melamine finishes
- Face and sides finished

F



FS84

FS90

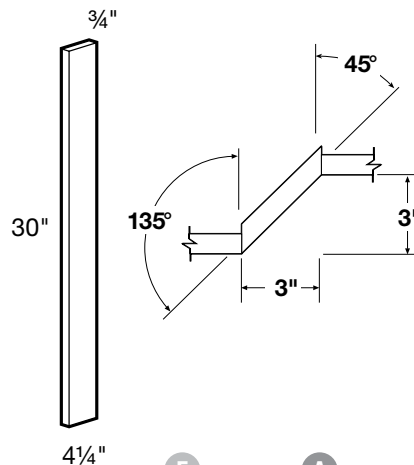
FS96

FS696

## Angle Fillers

- 3/4" thick solid wood
- Face and all edges finished
- Only available in painted white and cinnamon stain

F



AF330

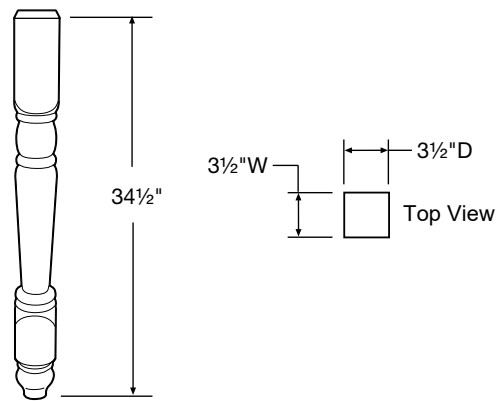
AF342



## Spindle

- Solid hardwood
- Not available in RTF or melamine finishes

F

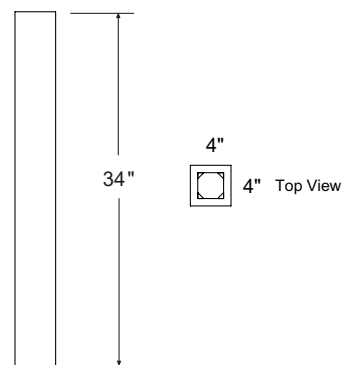


SPL

## Column Spindle Leg

- Solid hardwood
- Not available in RTF or melamine finishes

F

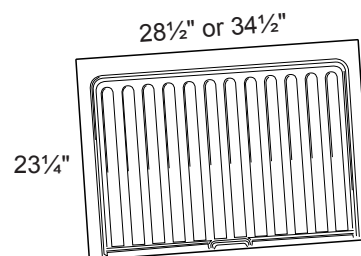


CSL4

## Sink Base Liner

- Helps protect sink cabinet from damage due to leaks in piping or drains
- Sleek surface for easy cleanup
- SBL2730 can be trimmed to fit SB27 or SB30
- SBL3336 can be trimmed to fit SB33 or SB36
- Field installed
- Grey polystyrene easy to clean surface
- Not for use in modified depth cabinets

F



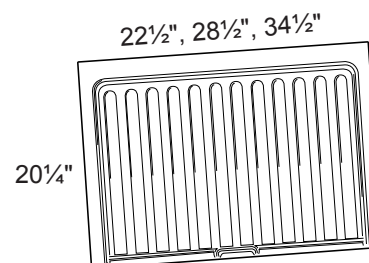
SBL2730

SBL3336

## 21" Deep Vanity Sink Base Liner

- Helps protect sink cabinet from damage due to leaks in piping or drains
- VSBL2124 can be trimmed to fit VSB2121 or VSB2421
- VSBL2730 can be trimmed to fit VSB2721 or VSB3021
- VSBL3336 can be trimmed to fit VSB3321 or VSB3621
- Field installed
- Grey polystyrene easy to clean surface
- Not for use in modified depth cabinets

F



VSBL2124

VSBL2730

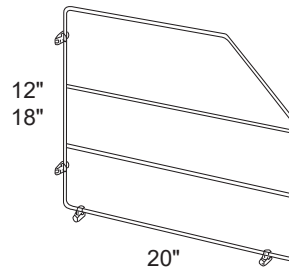
VSBL3336

# ACCESSORIES

## Tray Dividers

- Available in 12" & 18" heights
- Chrome finish
- Stores baking sheets, serving dishes, etc.
- Comes with 4 clips & fasteners
- Attaches to cabinet middle or bottom shelf
- Field installed
- Not for use in modified depth cabinets

F

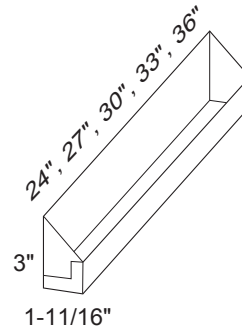


**TD12CR**  
**TD18CR**

## Tilt-out Tray Kits

- Kit attaches to the sink base false drawer front to create tilt-out drawer
  - Holds sponges, scouring pads, dish soaps, etc.
  - Stainless steel construction
  - Field installed prior to countertop
- \*Two trays included to fit double false fronts

F

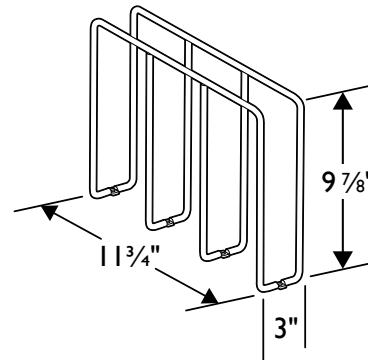


**SBT0TK24**  
**SBT0TK27**  
**SBT0TK30**  
**SBT0TK33\***  
**SBT0TK36\***

## U-Shaped Tray Divider 3" - Chrome

- Bakeware Organizer
- Use 2 or more to organize cabinet
- Can be used in base or wall cabinet
- Field installation with only 4 screws

F

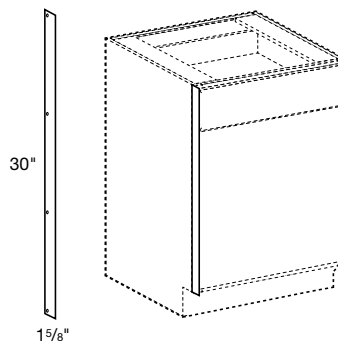


**USTD3-CR**

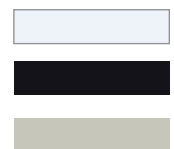
## Heat Shield

- Helps protect cabinet doors adjacent to heat-emitting appliances
- Attaches to the cabinet face frame
- Available in White, Black, or Almond
- Should be used on both sides of the range, bridge cabinets above the range, and with oven cabinets
- Should be ordered when using RTF or melamine door styles. See pages 1-4 for details
- Ships individually, be sure to specify the total quantity needed

F



**Heat\_Shield\_White**  
**Heat\_Shield\_Black**  
**Heat\_Shield\_Almond**



## Touch-Up Kit

TUK

- Includes fill stick, touch-up pen, and 4 door bumpers



# DECORATIVE MOLDING

## Crown Molding

When returning crown molding to the wall at the end of a run, allow at least 3" of wall space. This allows molding to return properly without interfering with doors or other obstacles.

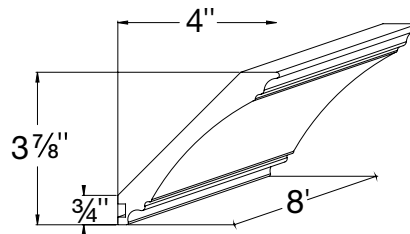


## Transitional Crown

TCM8

- 3/4" thick solid wood for stained finishes
- 3/4" thick MDF for painted, RTF, and melamine finishes
- Use with TMMS8 for top of cabinet installation

F

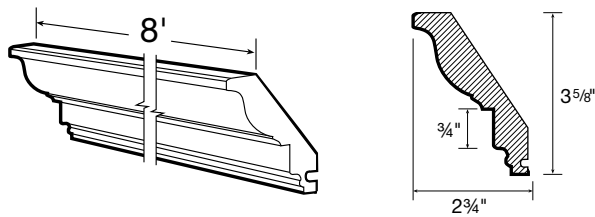


## Classic Crown Molding

CCM8

- 3/4" thick solid wood
- Use with TMMS8 for top of cabinet installation
- Only available in painted white

F

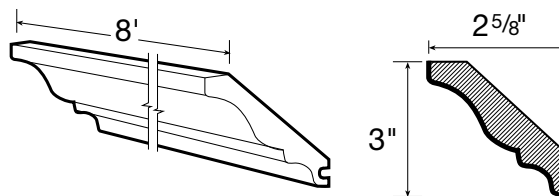


## Crown Molding

CM8

- 3/4" thick solid wood
- Use with TMMS8 for top of cabinet installation
- Not available in melamine finish

F

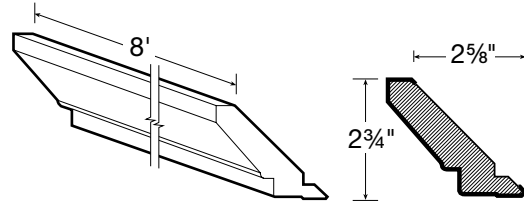


## Contemporary Crown Molding

CMV8

- 3/4" thick solid MDF
- Only available in RTF finishes
- TMMS8 not required

F

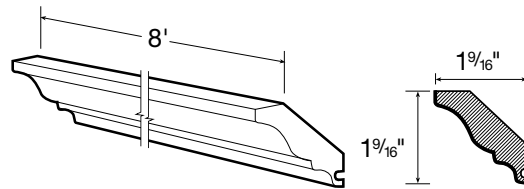


## Soffit Crown Molding

SCM8

- 3/4" thick solid wood
- Use with TMMS8 for top of cabinet installation
- Not available in RTF or melamine finishes

F

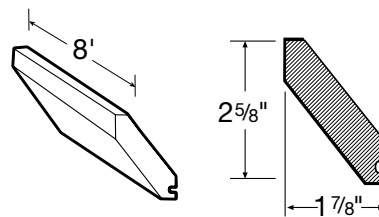


## Angle Crown Molding

ACM8

- 3/4" thick solid wood
- Use with TMMS8 for top of cabinet installation
- Not available in RTF or melamine finishes

F

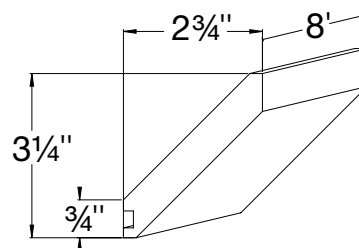


## Flat Shaker Angle Crown

FSM8

- 3/4" thick solid wood for stained finishes
- 3/4" thick MDF for painted, RTF, and melamine finishes
- Use with TMMS8 for top of cabinet installation

F



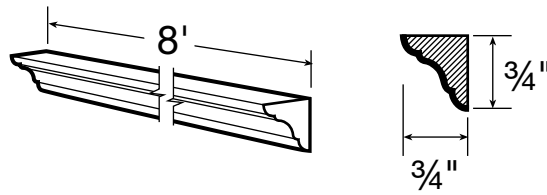
# DECORATIVE MOLDING

## Inside Corner Molding

ICM8

- 3/4" thick solid wood

F

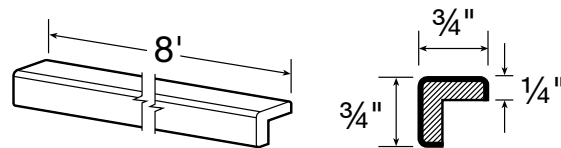


## Outside Corner Molding

OSC8

- 1/4" thick solid wood

F

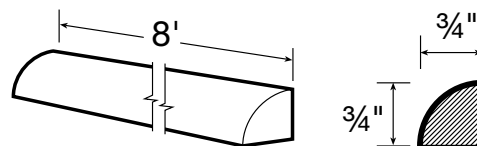


## Quarter Round

QR8

- 3/4" thick solid wood

F

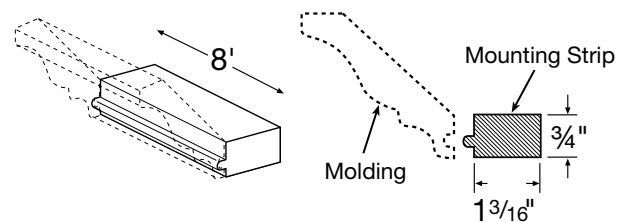


## Top Molding Mounting Strip

TMMS8

- 3/4" thick solid unfinished wood
- Recommended for installation of ACM8, CM8, CCM8, SCM8, TCM8, and FSM8 moldings

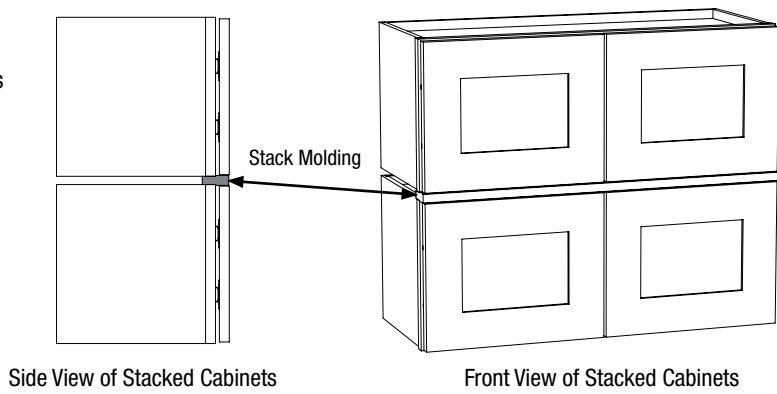
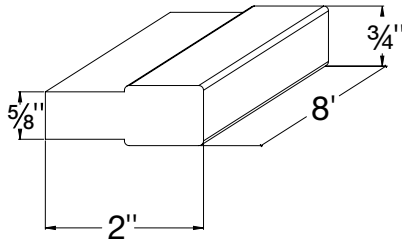
F



## Stack Molding

- 3/4" thick solid wood for stained finishes
- 3/4" thick MDF for painted, RTF, and melamine finishes

F

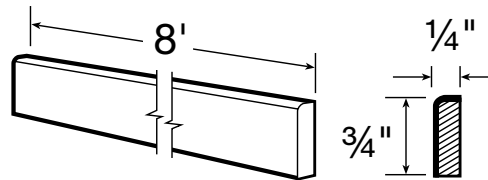


STM8

## Scribe Molding

- 1/4" thick solid wood

F

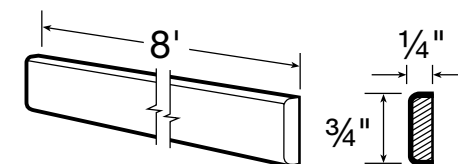


SM8

## Batten Molding

- 1/4" thick solid wood

F

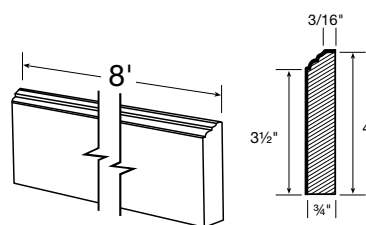


BM8

## Furniture Base Molding

- 3/4" thick solid wood for stained finishes
- 3/4" thick MDF for painted, RTF, and melamine finishes

F



FBM8

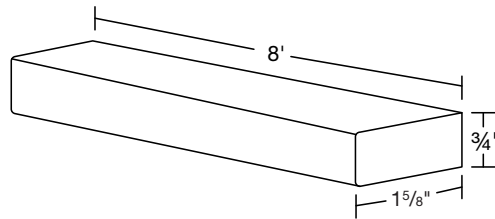
# DECORATIVE MOLDING

## Shaker Light Rail

LRM8

- 3/4" thick solid wood for stained finishes
- 3/4" thick MDF for painted, RTF, and melamine finishes

F

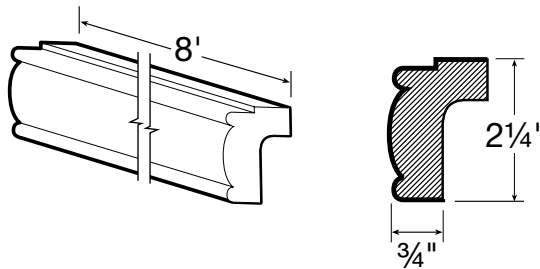


## Classic Light Rail

CLR8

- 3/4" thick solid wood
- Not available in RTF or melamine finishes

F

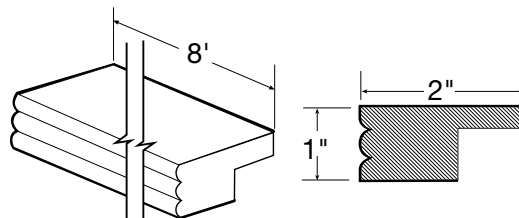


## Beaded Light Rail

BLR8

- 1" thick solid wood
- Not available in RTF or melamine finishes

F

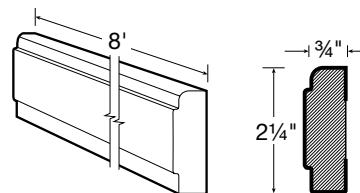


## Contemporary Light Rail

LRV8

- 3/4" thick solid MDF
- Only available in RTF or melamine finishes

F





## Square Bar Pull

- Matte black



### DH801-96MBL

4 1/4" Square Bar Pull  
3 3/4" center (96mm)

### DH801-128MBL

5 1/2" Square Bar Pull  
5" center (128mm)

### DH00801-17MBL

6 3/4" Square Bar Pull  
6 5/16" center (160mm)

## Square Bar Pull

- Brushed nickel



### DH801-96BRN

4 1/4" Square Bar Pull  
3 3/4" center (96mm)

### DH801-128BRN

5 1/2" Square Bar Pull  
5" center (128mm)

### DH00801-17BRN

6 3/4" Square Bar Pull  
6 5/16" center (160mm)

## Square Bar Pull

- Champagne Bronze



### DH873-96CHBR

4 1/4" Square Bar Pull  
3 3/4" center (96mm)

### DH873-128CHBR

5 3/8" Square Bar Pull  
5" center (128mm)

### DH873-160CHBR

6 3/4" Square Bar Pull  
6 5/16" center (160mm)

## Tubular Bar Pull

- Brushed nickel



### DH5016-96BRN

5 3/8" Tubular Bar Pull  
3 3/4" center (96mm)

### DH5016-128BRN

6 5/8" Tubular Bar Pull  
5" center (128mm)

### DH5016-160BRN

7 7/8" Tubular Bar Pull  
6 5/16" center (160mm)

# DECORATIVE HARDWARE

---

## Tubular Bar Pull

- Champagne Bronze



### DH5016-96CHBR

5 $\frac{3}{8}$ " Tubular Bar Pull  
3 $\frac{3}{4}$ " center (96mm)

### DH5016-128CHBR

6 $\frac{5}{8}$ " Tubular Bar Pull  
5" center (128mm)

### DH5016-160CHBR

7 $\frac{7}{8}$ " Tubular Bar Pull  
6 $\frac{5}{16}$ " center (160mm)

---

## Euro Pull

- Euro railing pull
- Brushed nickel
- DESIGN TIP: Make sure to double check the length of drawer/door to ensure pull will fit the cabinet



### DH45-100 - 6 $\frac{15}{16}$ " Euro Pull

3 $\frac{13}{16}$ " center (96mm)

### DH45-102 - 10 $\frac{3}{4}$ " Euro Pull

7 $\frac{9}{16}$ " center (192mm)

### DH45-104 - 14 $\frac{7}{8}$ " Euro Pull\*

11 $\frac{3}{4}$ " center (298mm)

---

## Round knob

- Brushed nickel
- 1 $\frac{1}{4}$ " diameter



### DH99-188

---

## Contemporary Bow Pull

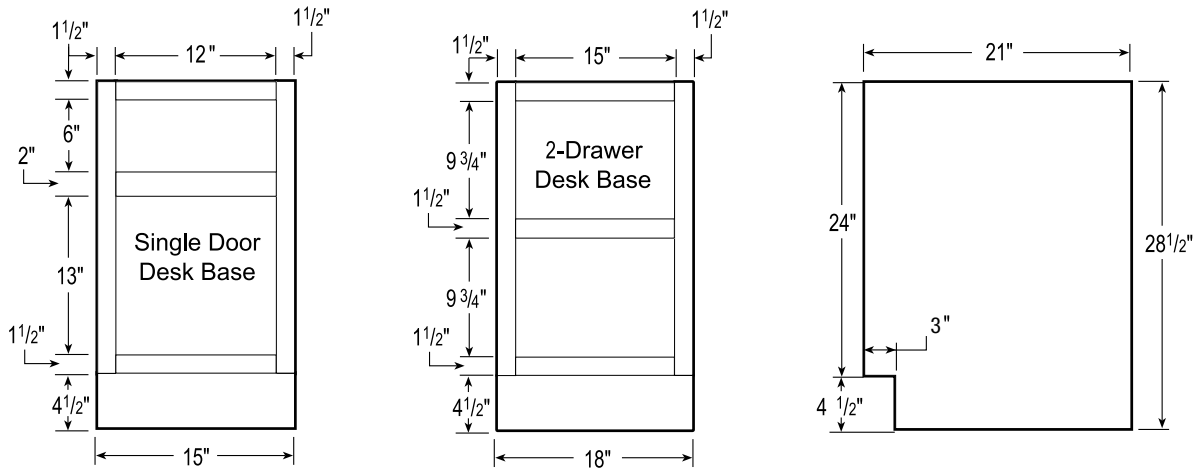
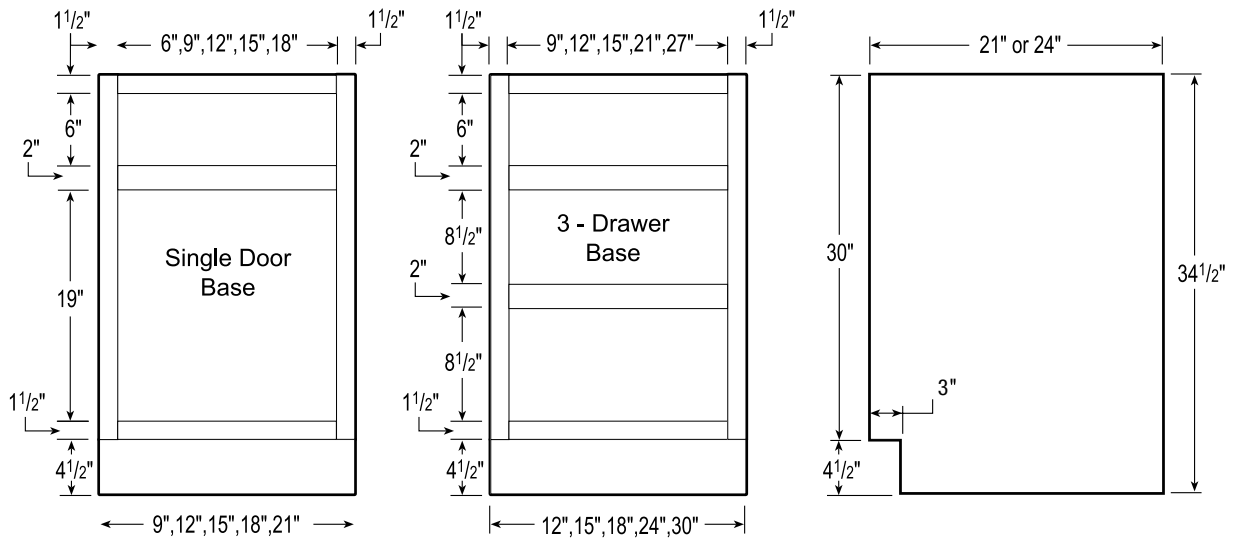
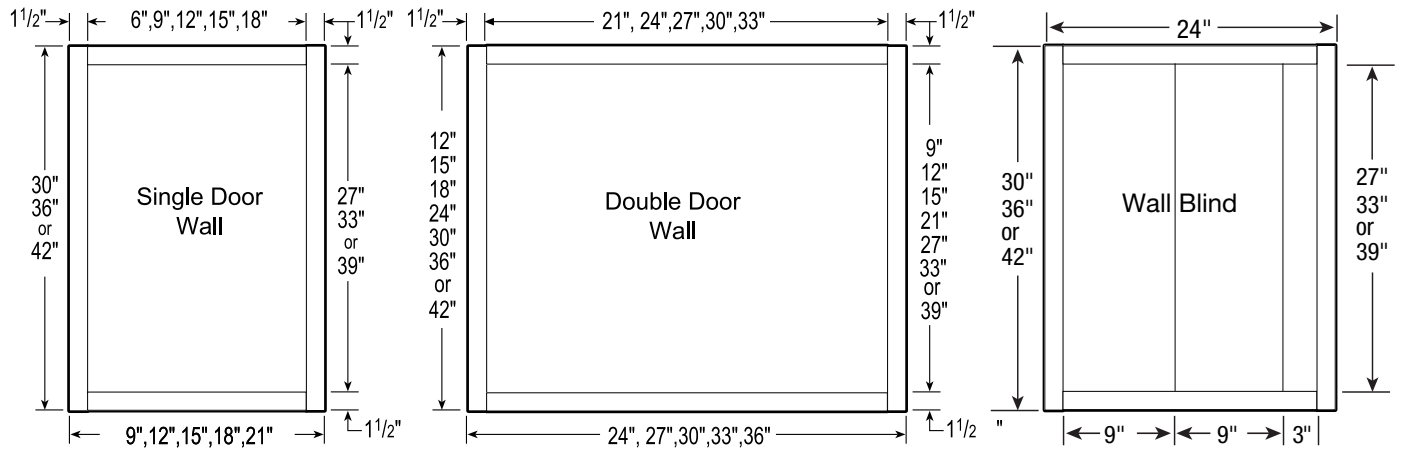
- Brushed nickel
- 3 $\frac{3}{4}$ " center (96mm)
- 5 $\frac{1}{4}$ " outside length



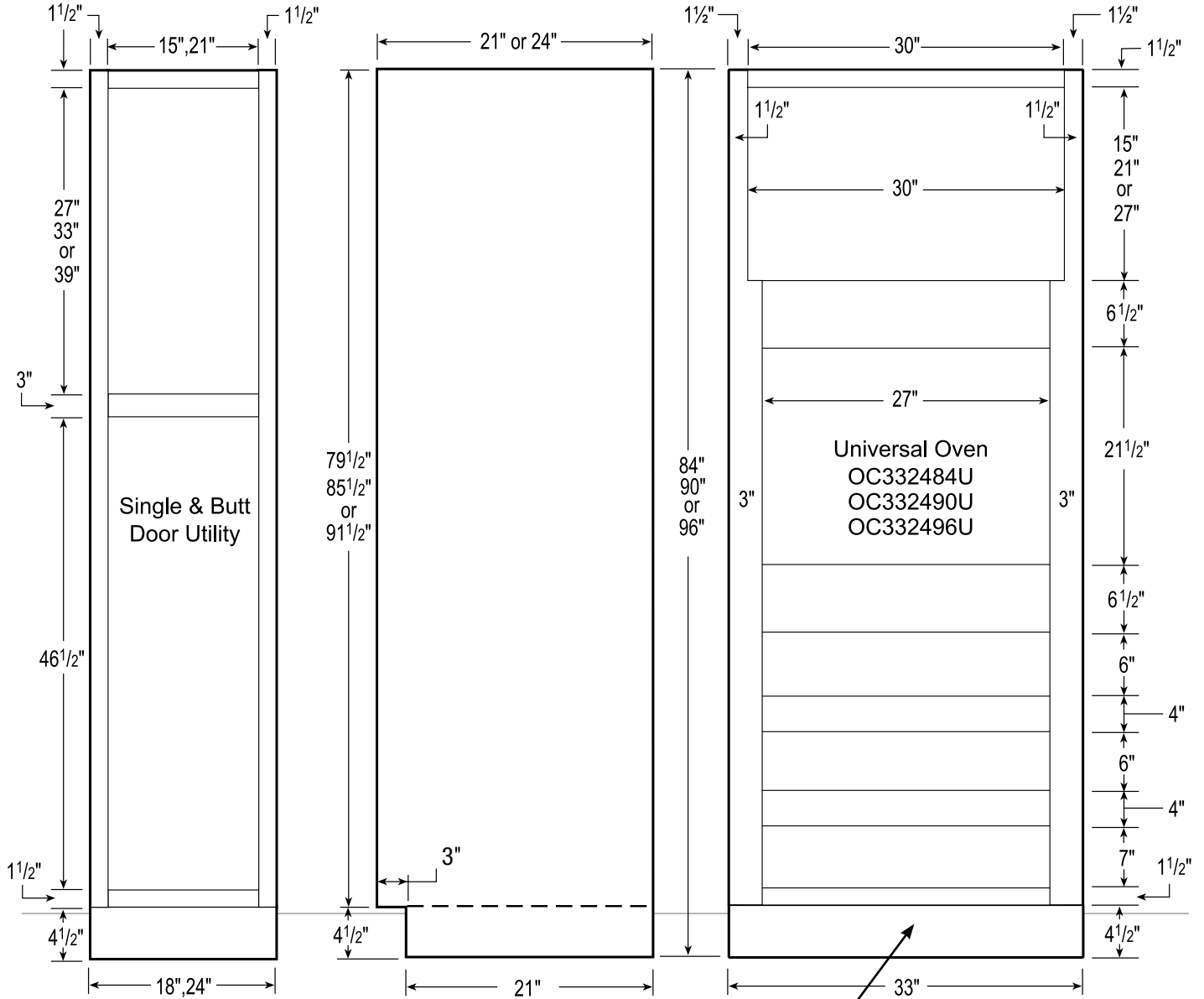
### DH99-128

---

# CABINET FRAME & OPENING DIMENSIONS

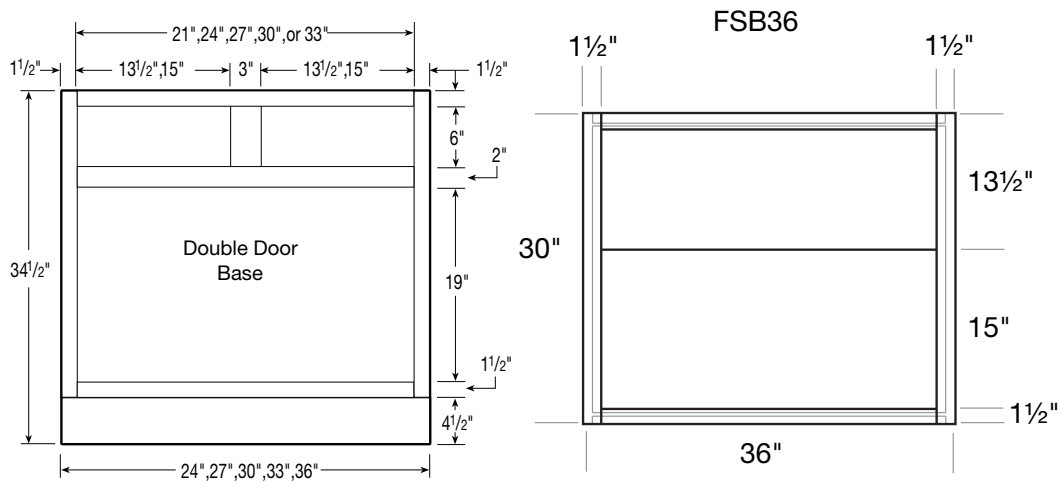


# CABINET FRAME & OPENING DIMENSIONS

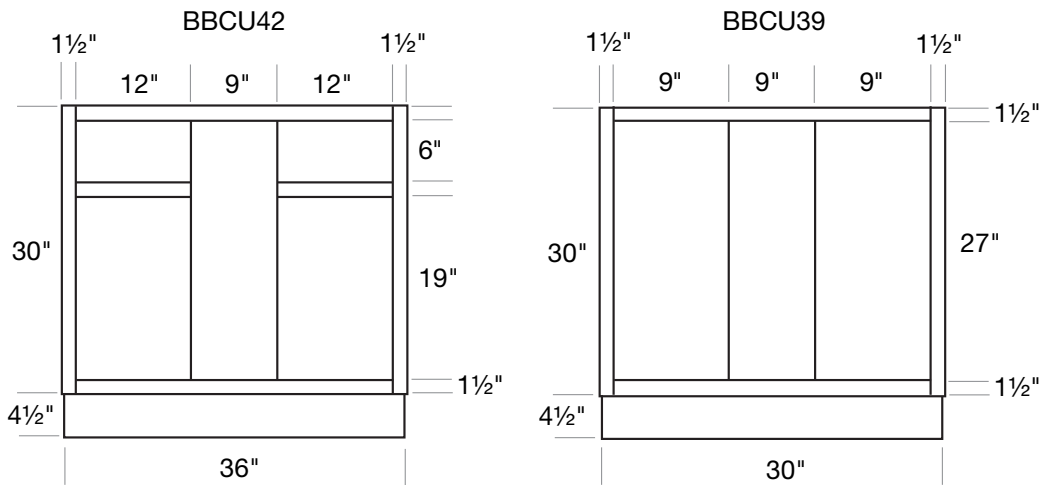


**NOTE: 96" TALL CABINETS ARE SUPPLIED WITH LOOSE TOE KICK BOX (EXPOSED SIDES REQUIRE TSK96)**

# CABINET FRAME & OPENING DIMENSIONS



Note: B21, B24, B27, and B30 have one full-width drawer.  
B33 will include two drawers



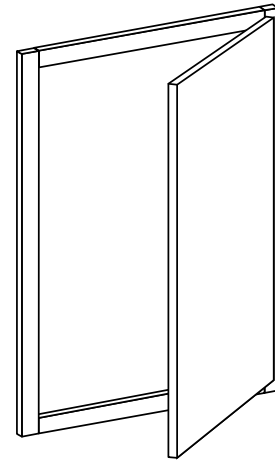
DRAWER BOX INSIDE DIMENSIONS						
CABINET	SHALLOW DRAWER			DEEP DRAWER		
	HEIGHT	DEPTH	WIDTH	HEIGHT	DEPTH	WIDTH
B12, BD12	4 <sup>3</sup> / <sub>8</sub> "	19 <sup>11</sup> / <sub>16</sub> "	6 <sup>7</sup> / <sub>8</sub> "	6 <sup>3</sup> / <sub>4</sub> "	19 <sup>11</sup> / <sub>16</sub> "	6 <sup>7</sup> / <sub>8</sub> "
VB1221, VBD1221	4 <sup>3</sup> / <sub>8</sub> "	16 <sup>11</sup> / <sub>16</sub> "	6 <sup>7</sup> / <sub>8</sub> "	6 <sup>3</sup> / <sub>4</sub> "	16 <sup>11</sup> / <sub>16</sub> "	6 <sup>7</sup> / <sub>8</sub> "
B15, BBCU42, BD15	4 <sup>3</sup> / <sub>8</sub> "	19 <sup>11</sup> / <sub>16</sub> "	9 <sup>7</sup> / <sub>8</sub> "	6 <sup>3</sup> / <sub>4</sub> "	19 <sup>11</sup> / <sub>16</sub> "	9 <sup>7</sup> / <sub>8</sub> "
VB1521, VBD1521	4 <sup>3</sup> / <sub>8</sub> "	16 <sup>11</sup> / <sub>16</sub> "	9 <sup>7</sup> / <sub>8</sub> "	6 <sup>3</sup> / <sub>4</sub> "	16 <sup>11</sup> / <sub>16</sub> "	9 <sup>7</sup> / <sub>8</sub> "
DDO15	4 <sup>3</sup> / <sub>8</sub> "	16 <sup>11</sup> / <sub>16</sub> "	9 <sup>7</sup> / <sub>8</sub> "	N/A	N/A	N/A
B18, BD18	4 <sup>3</sup> / <sub>8</sub> "	19 <sup>11</sup> / <sub>16</sub> "	12 <sup>7</sup> / <sub>8</sub> "	6 <sup>3</sup> / <sub>4</sub> "	19 <sup>11</sup> / <sub>16</sub> "	12 <sup>7</sup> / <sub>8</sub> "
DDR18	N/A	N/A	N/A	6 <sup>3</sup> / <sub>4</sub> "	16 <sup>11</sup> / <sub>16</sub> "	12 <sup>7</sup> / <sub>8</sub> "
VB1821, VBD1821	4 <sup>3</sup> / <sub>8</sub> "	16 <sup>11</sup> / <sub>16</sub> "	12 <sup>7</sup> / <sub>8</sub> "	6 <sup>3</sup> / <sub>4</sub> "	16 <sup>11</sup> / <sub>16</sub> "	12 <sup>7</sup> / <sub>8</sub> "
B21	4 <sup>3</sup> / <sub>8</sub> "	19 <sup>11</sup> / <sub>16</sub> "	15 <sup>7</sup> / <sub>8</sub> "	N/A	N/A	N/A
B24, BD24	4 <sup>3</sup> / <sub>8</sub> "	19 <sup>11</sup> / <sub>16</sub> "	18 <sup>7</sup> / <sub>8</sub> "	6 <sup>3</sup> / <sub>4</sub> "	19 <sup>11</sup> / <sub>16</sub> "	18 <sup>7</sup> / <sub>8</sub> "
VB242, VBD2421	4 <sup>3</sup> / <sub>8</sub> "	16 <sup>11</sup> / <sub>16</sub> "	18 <sup>7</sup> / <sub>8</sub> "	N/A	N/A	N/A
B27	4 <sup>3</sup> / <sub>8</sub> "	19 <sup>11</sup> / <sub>16</sub> "	21 <sup>7</sup> / <sub>8</sub> "	N/A	N/A	N/A
B30, BD30	4 <sup>3</sup> / <sub>8</sub> "	19 <sup>11</sup> / <sub>16</sub> "	24 <sup>7</sup> / <sub>8</sub> "	6 <sup>3</sup> / <sub>4</sub> "	19 <sup>11</sup> / <sub>16</sub> "	24 <sup>7</sup> / <sub>8</sub> "
VB3021	4 <sup>3</sup> / <sub>8</sub> "	16 <sup>11</sup> / <sub>16</sub> "	24 <sup>7</sup> / <sub>8</sub> "	N/A	N/A	N/A
VBD30	4 <sup>3</sup> / <sub>8</sub> "	16 <sup>11</sup> / <sub>16</sub> "	24 <sup>7</sup> / <sub>8</sub> "	6 <sup>3</sup> / <sub>4</sub> "	16 <sup>11</sup> / <sub>16</sub> "	24 <sup>7</sup> / <sub>8</sub> "
B33	4 <sup>3</sup> / <sub>8</sub> "	19 <sup>11</sup> / <sub>16</sub> "	11 <sup>1</sup> / <sub>4</sub> "	N/A	N/A	N/A
B36, BD36	4 <sup>3</sup> / <sub>8</sub> "	4 <sup>3</sup> / <sub>8</sub> "	12 <sup>7</sup> / <sub>8</sub> "	6 <sup>3</sup> / <sub>4</sub> "	19 <sup>11</sup> / <sub>16</sub> "	30 <sup>7</sup> / <sub>8</sub> "
VB3621	4 <sup>3</sup> / <sub>8</sub> "	16 <sup>11</sup> / <sub>16</sub> "	12 <sup>7</sup> / <sub>8</sub> "	N/A	N/A	N/A
OC332484U, OC332490U, OC332496U	4 <sup>3</sup> / <sub>8</sub> "	19 <sup>11</sup> / <sub>16</sub> "	24 <sup>7</sup> / <sub>8</sub> "	N/A	N/A	N/A

# DECORATIVE & REPLACEMENT DOOR AND DRAWER FRONTS

## Wall Cabinets

Cabinet	Front	Qty
W0930	Door0930	1
W1230	Door1230	1
W1530	Door1530	1
W1830	Door1830	1
W2130	Door2130	1
W2430	Door1230	2
W2730	Door1330	2
W3030	Door1530	2
W3330	Door1630	2
W3630	Door1830	2
W0936	Door0936	1
W1236	Door1236	1
W1536	Door1536	1
W1836	Door1836	1
W2136	Door2136	1
W2436	Door1236	2
W2736	Door1336	2
W3036	Door1536	2
W3336	Door1636	2
W3636	Door1836	2
W0942	Door0942	1
W1242	Door1242	1
W1542	Door1542	1
W1842	Door1842	1
W2142	Door2142	1

Cabinet	Front	Qty
W2442	Door1242	2
W2742	Door1342	2
W3042	Door1542	2
W3342	Door1642	2
W3642	Door1842	2
W2412	Door1212	2
W2712	Door1312	2
W3012	Door1512	2
W3312	Door1612	2
W3612	Door1812	2
W2415	Door1215	2
W2715	Door1315	2
W3015	Door1515	2
W3315	Door1615	2
W3615	Door1815	2
W2418	Door1218	2
W2718	Door1318	2
W3018	Door1518	2
W3318	Door1618	2
W3618	Door1818	2
W2424	Door1224	2
W2724	Door1324	2
W3024	Door1524	2
W3324	Door1624	2
W3624	Door1824	2



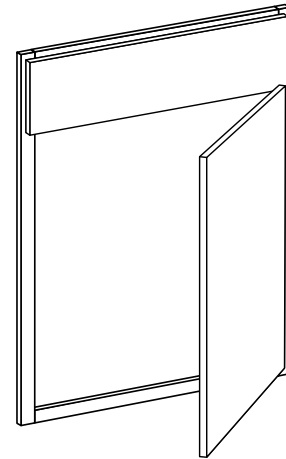
\*Frame is not included.

Door fronts come with pre drilled hinge holes. Hinges are not included.

# DECORATIVE & REPLACEMENT DOOR AND DRAWER FRONTS

## Base Cabinets

Cabinet	Front	Qty
B12FH	Door1230	1
B15FH	Door1530	1
B18FH	Door1830	1
B21FH	Door2130	1
B24FH	Door1230	2
B27FH	Door1330	2
B30FH	Door1530	2
B33FH	Door1630	2
B36FH	Door1830	2
EZR33	Door0830	2
EZR36	Door1130	2



\*Frame is not included.

Door fronts come with pre drilled hinge holes. Hinges are not included.

Cabinet	Front	Qty	Front	Qty
B12	Door1221	1	DF128	1
B15	Door1521	1	DF158	1
B18	Door1821	1	DF188	1
B21	Door2121	1	DF218	1
B24	Door1221	2	DF248	1
B27	Door1321	2	DF278	1
B30	Door1521	2	DF308	1
B33	Door1621	2	DF168	2
B36	Door1821	2	DF188	2

Cabinet	Front	Qty	Front	Qty
SB21	Door2121	1	DF218	1
SB24	Door1221	2	DF248	1
SB27	Door1321	2	DF278	1
SB30	Door1521	2	DF308	1
SB33	Door1621	2	DF168	2
SB36	Door1821	2	DF188	2
FSB36	Door1818	2		

Cabinet	Front	Qty	Front	Qty
BD12	DF128	1	DDF1210	2
BD15	DF158	1	DDF1510	2
BD18	DF188	1	DDF1810	2
BD21	DF218	1	DDF2110	2
BD24	DF248	1	DDF2410	2
BD27	DF278	1	DDF2710	2
BD30	DF308	1	DDF3010	2
BD36	DF188	2	DDF3610	2

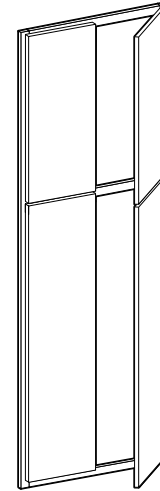
Cabinet	Front	Qty
EZR33	Door0830	2
EZR36	Door1130	2

# DECORATIVE & REPLACEMENT DOOR AND DRAWER FRONTS

## Tall Cabinets

Cabinet	Front	Qty	Front	Qty
U1884	Door1849	1	Door1830	1
U1890	Door1849	1	Door1836	1
U1896	Door1849	1	Door1842	1
U2484	Door1249	2	Door1230	2
U2490	Door1249	2	Door1236	2
U2496	Door1249	2	Door1242	2

Cabinet	Front	Qty	Front	Qty	Front	Qty
OC3384	Door1618	2	DF338	1	DDF3310	2
OC3390	Door1624	2	DF338	1	DDF3310	2
OC3396	Door1630	2	DF338	1	DDF3310	2



\*Frame is not included.

Door fronts come with pre drilled hinge holes. Hinges are not included.

## Vanity Cabinets

Cabinet	Front	Qty
VB12	Door1221	1
VB15	Door1521	1
VB18	Door1821	1
VB21	Door2121	1
VB12FH	Door1230	1
VB15FH	Door1530	1
VB18FH	Door1830	1
VB21FH	Door2130	1

Cabinet	Front	Qty	Front	Qty
VBD12	DF128	1	DDF1210	2
VBD15	DF158	1	DDF1510	2
VBD18	DF188	1	DDF1810	2
VBD24	DF248	1	DDF2410	2
VBD30	DF308	1	DDF3010	2

Cabinet	Front	Qty	Front	Qty
VLC182184	Door1849	1	Door1830	1
VLC242184	Door1249	2	Door1230	2







# Semi-Custom Kitchen & Bath Cabinetry

## Limited Lifetime Warranty

Ideal Cabinetry® (warrantor) warrants to the original consumer purchaser, that all products manufactured or supplied by warrantor will be free from defects in material and workmanship. This warranty is for your lifetime as long as you own the cabinetry, on product used for Residential Purposes only and is not transferable to subsequent owners. Proof of Purchase is required.

This warranty does not cover damage resulting from normal wear, accident, misuse or lack of reasonable and necessary maintenance and service; nor does it warranty the improper installation or unauthorized repair, alteration, or modification or defects in the product when the product is installed. This warranty is limited to the repair or replacement of the defective part at the sole discretion of warrantor. Warranty is limited to Home Decorators Collection branded products excluding all electrical components: Excluded items may carry separate warranties as provided directly by the manufacturer of these products.

It is our option to provide repair parts or replace with functionally equivalent product. Return of product may be required for replacements. Such repair parts or replacement shall be at warrantor's expense, but customer shall bear all other expenses, including, but not limited to, cost of removal, transportation, re-installation, communication and any special service required by customer such as, overtime labor, etc.

Natural woods and finishes vary in color, grain pattern and exhibit color changes over time. Cabinets may darken or lighten with age due to exposure to certain environmental conditions including but not limited to sunlight, moisture, household cleaners, smoke, etc. Painted cabinets may show cracking at seams. These variations are considered the natural characteristics of the material and finishes and are not covered under this warranty.

In the event of a warranted product performance issue, submit request including proof of purchase documentation, specific description of warranty issue (include photos) in writing to:

Warranty Department  
210 Century Boulevard  
Bartow, FL 33830

Due to nature of materials and finishes Ideal Cabinetry cannot guarantee warranty replacement will be an exact match.

Ideal Cabinetry reserves the right to alter design, specifications and material without obligation to make changes to product previously manufactured.

EXCEPT TO THE EXTENT PROVIDED BY APPLICABLE LAW, ALL IMPLIED WARRANTIES, INCLUDING WARRANTIES OF MERCHANTABILITY AND FITNESS FOR A PARTICULAR PURPOSE, ARE LIMITED IN DURATION TO THE SHORTER OF THE PERIOD PROVIDED BY LAW OR THE PERIOD OF THIS WARRANTY, AND UNDER NO CIRCUMSTANCE SHALL HOME DECORATORS COLLECTION BE LIABLE FOR INCIDENTAL OR CONSEQUENTIAL DAMAGES SUSTAINED IN CONNECTION WITH THE PRODUCT. THE EXPRESS WARRANTY ABOVE CONSTITUTES THE ENTIRE WARRANTY AND IS IN LIEU OF ALL OTHERS EXPRESSED OR IMPLIED.

Some states do not allow the exclusion or limitation of incidental or consequential damages, or limitation on how long an implied warranty lasts, therefore, the above limitations or exclusions may not apply to you. This warranty gives you specific legal rights, and you may also have other rights, which vary from state to state.

### INDEMNITY

Ideal Cabinetry shall not be liable for either its failure to perform or its delays in performance hereunder arising out of or resulting from causes beyond its control, including but not limited to, acts of God, acts of Representation, acts of Government, wars, fires, floods, epidemics, quarantine, strike, freight embargoes, weather or default by suppliers due to any such causes.

# HOME DECORATORS COLLECTION



*Hargrove Vanguard Oak*

## SEMI-CUSTOM KITCHEN & BATH CABINETS

**Have Questions? Need Design Help?**

[HDCkitchens.com](https://www.HDCkitchens.com)   [HomerDesignTools.com](https://www.HomerDesignTools.com)   [866-373-9131](tel:866-373-9131)

Monday-Friday 9 A.M. to 6 P.M. EST

*October 2024*

Instant Kitchen Estimator



CARB2 compliant



HDC-A\_W-SPECBOOK-1024