



TABLE OF CONTENTS

---

**Product Information**

Clear Opening .....2  
Unit Sizing .....3

**Options**

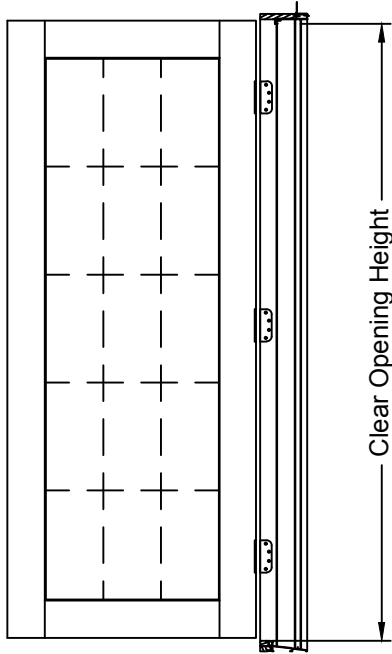
Divided Lite Options .....4  
Mullion Options .....5  
Trim Options .....6

**Section Details**

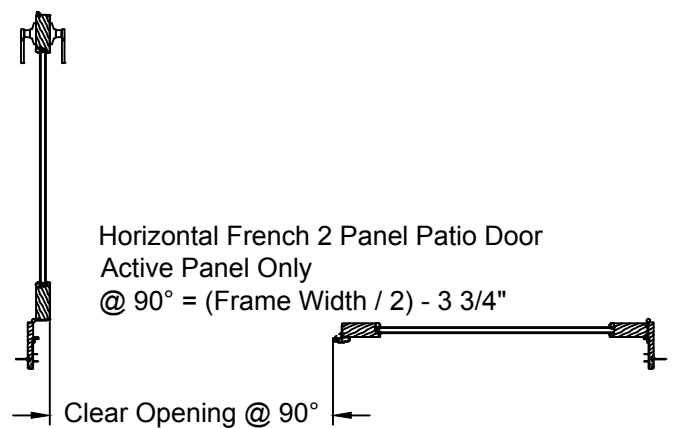
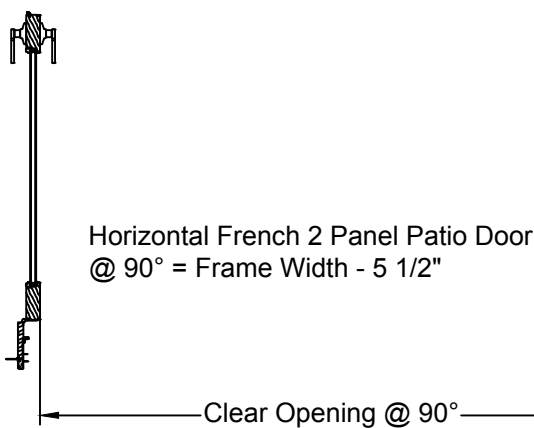
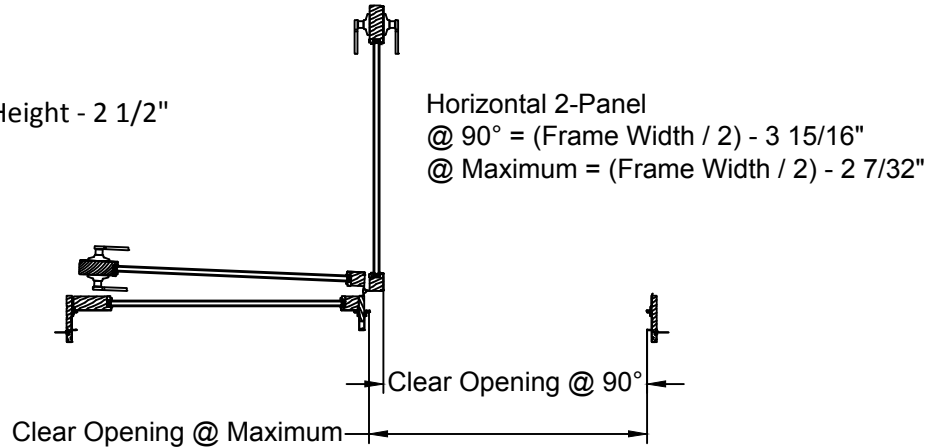
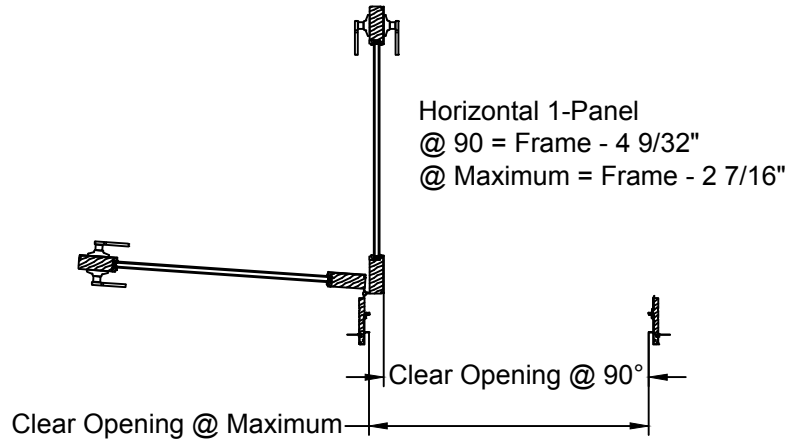
Standard Operator:  
Vertical Section .....7  
2 Panel Horizontal Section .....8  
3 Panel Horizontal Section .....9  
Entry Door Operator:  
Vertical Section .....10  
Horizontal Section .....11  
Sidelite:  
Vertical Section .....12  
Horizontal Section .....13  
French Door 2 Panel:  
Vertical Section .....14  
Horizontal Section .....15



CLEAR OPENING



Vertical Clear Opening = Frame Height - 2 1/2"





**UNIT SIZING**

General Notes:

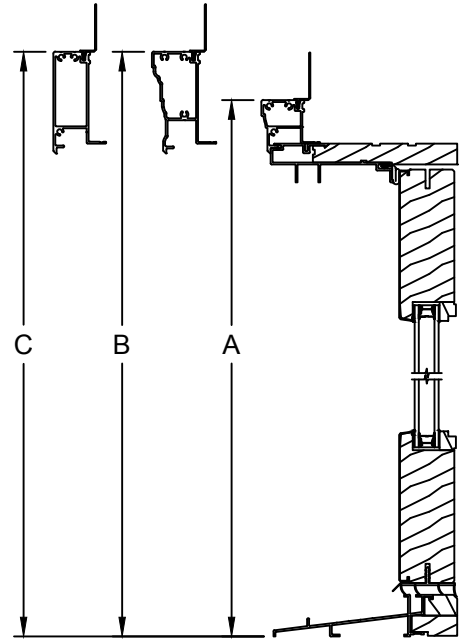
Unit size is always the maximum size of the patio door with or without trim and does not include nail fin.

Masonry Opening:

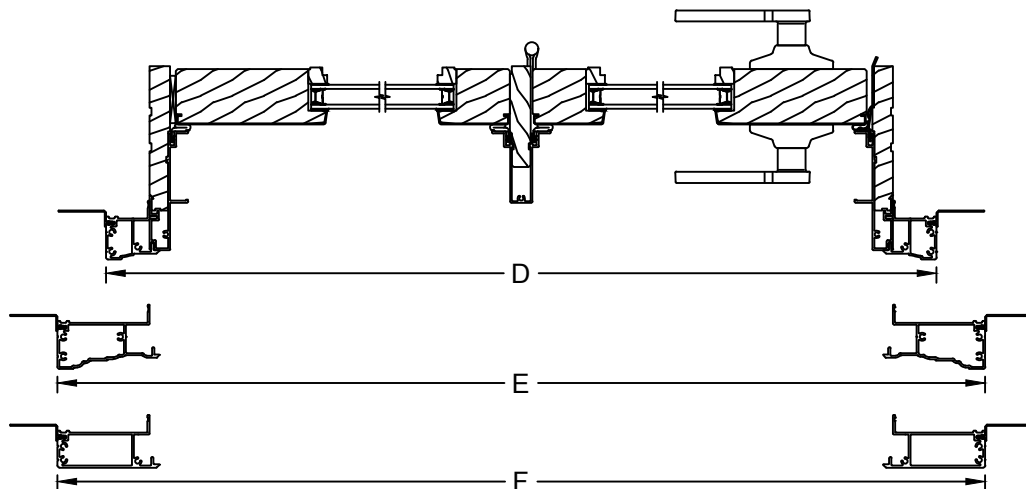
Masonry opening is always 1/2" over (height and width) the frame size.

Rough Opening:

Rough opening is always 1/2" over frame size of the patio door.



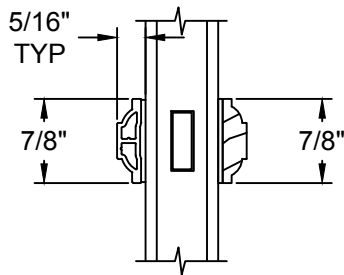
Vertical Sections		
Trim Option	Dimension	Frame +
Brickmould	A	1 1/2"
Adams Casing	B	3"
3 1/2" Flat Casing	C	3"



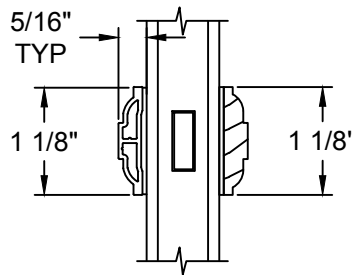
Horizontal Sections		
Trim Option	Dimension	Frame +
Brickmould	D	3"
Adams Casing	E	6"
3 1/2" Flat Casing	F	6"



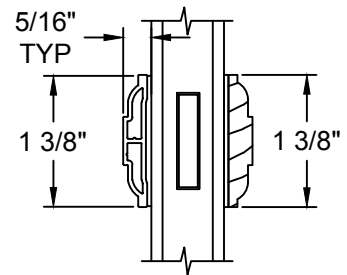
DIVIDED LITE OPTIONS



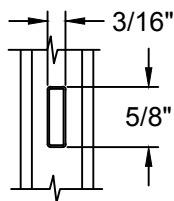
7/8" Bead SDL



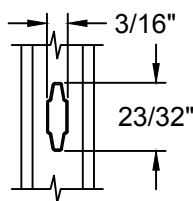
1 1/8" Bead SDL



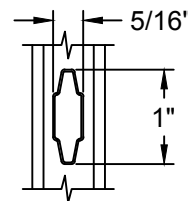
1 3/8" Bead SDL



5/8" Flat GBG



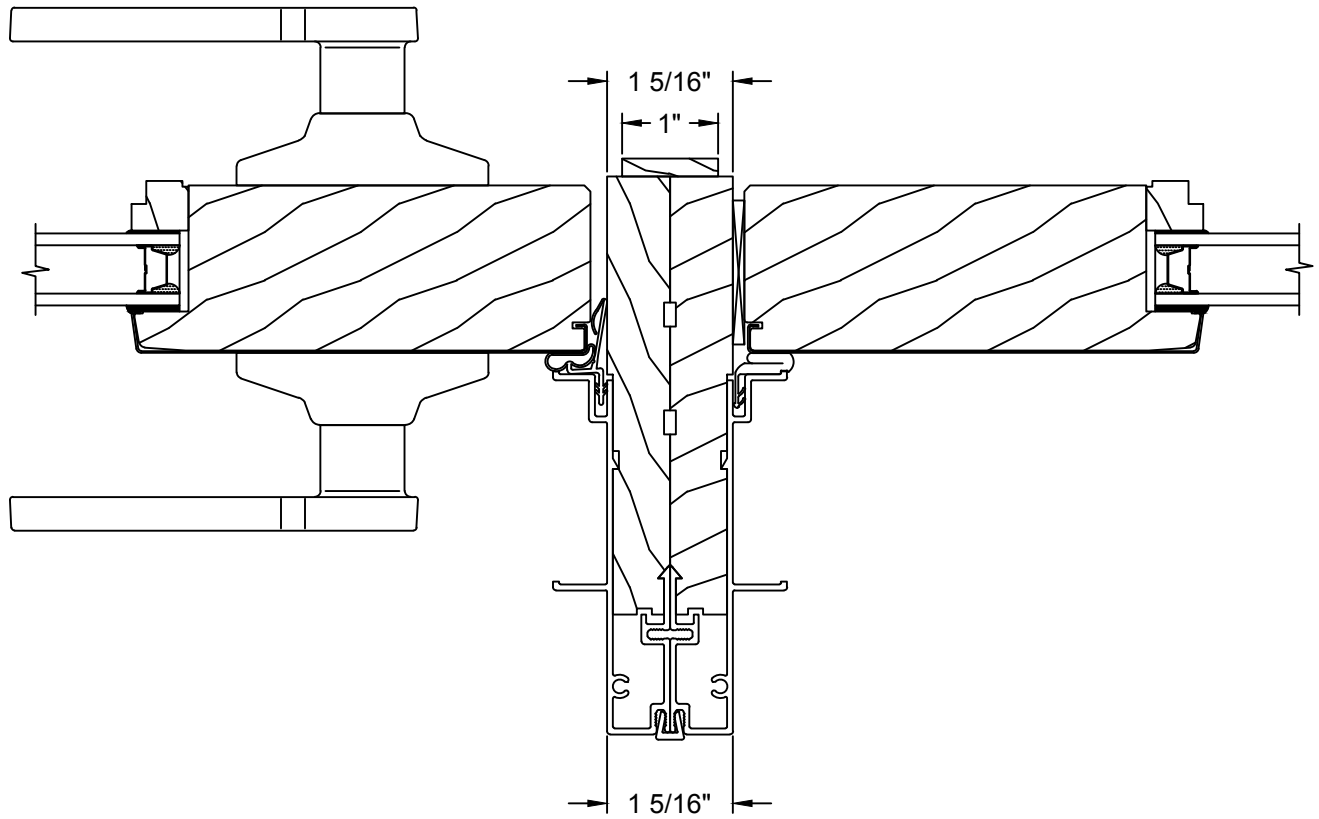
23/32" Contour GBG



1" Contour GBG



MULLION OPTIONS

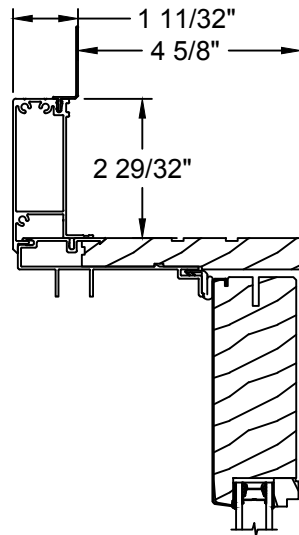
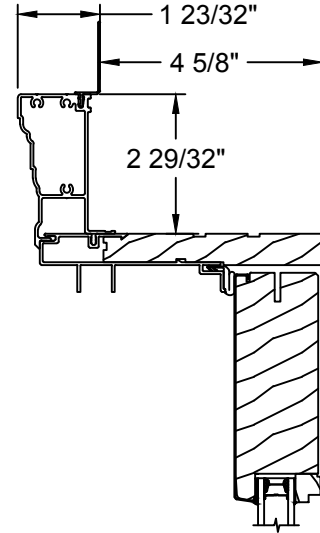
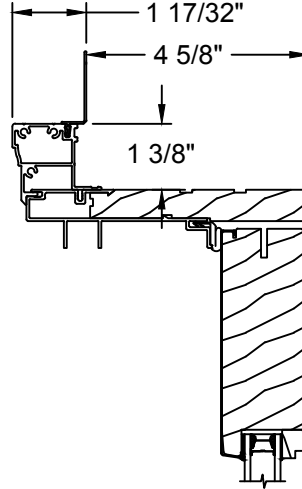
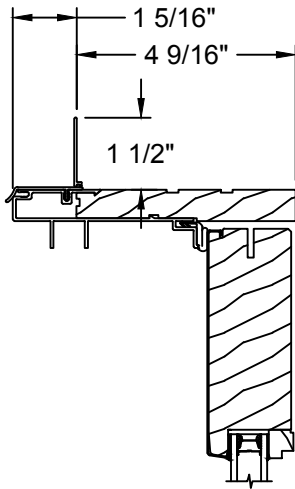


Patio Door with Sidelite

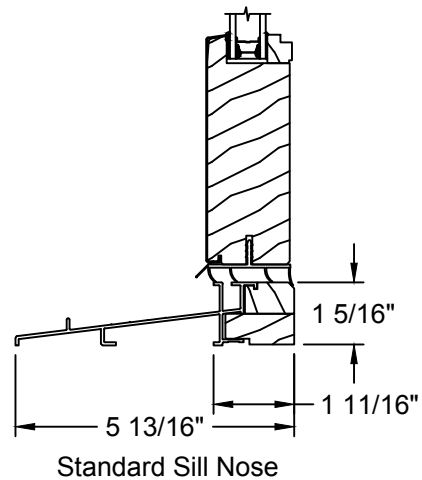


TRIM OPTIONS

Exterior Trim

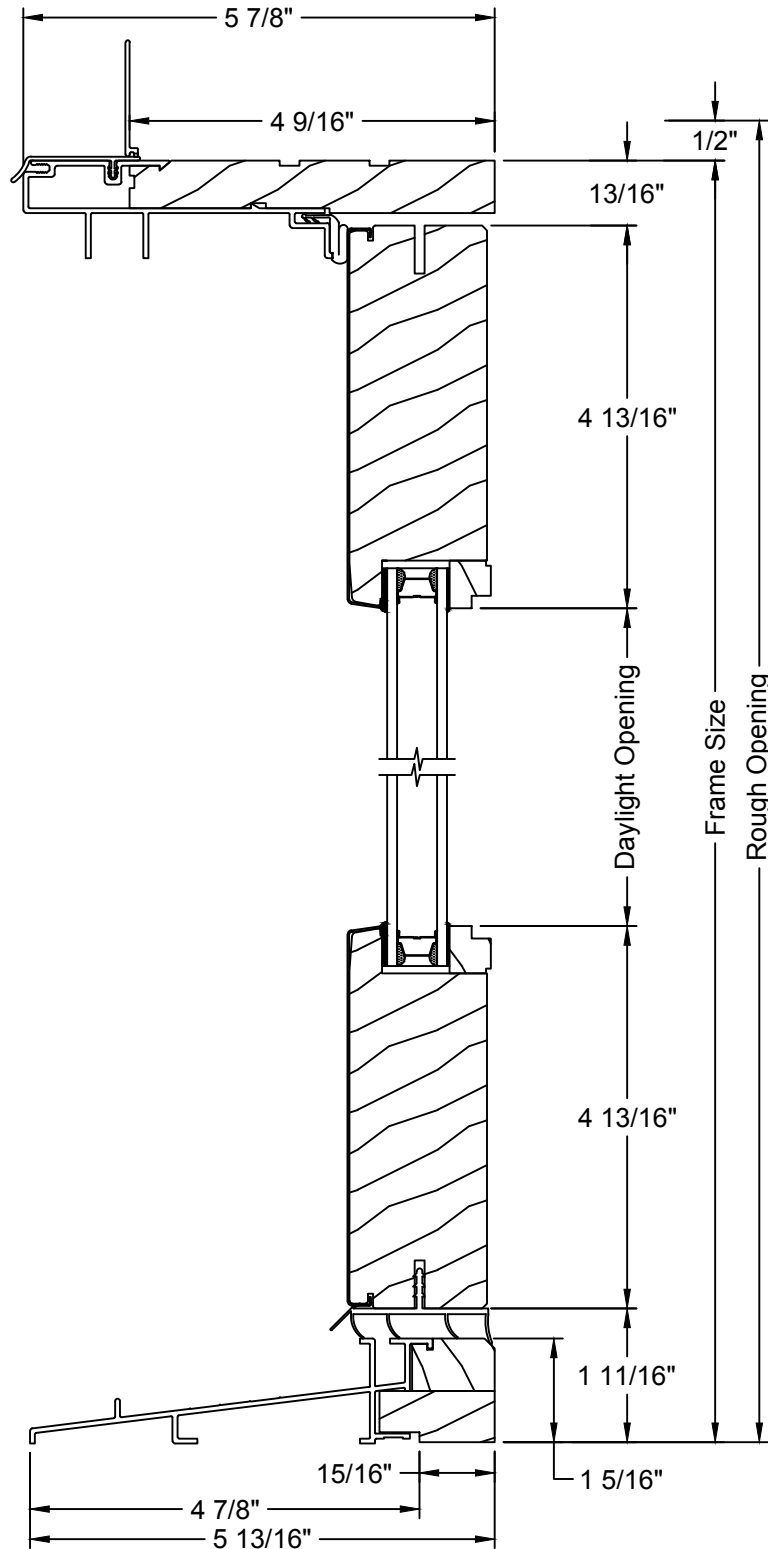


Sill Nose Options



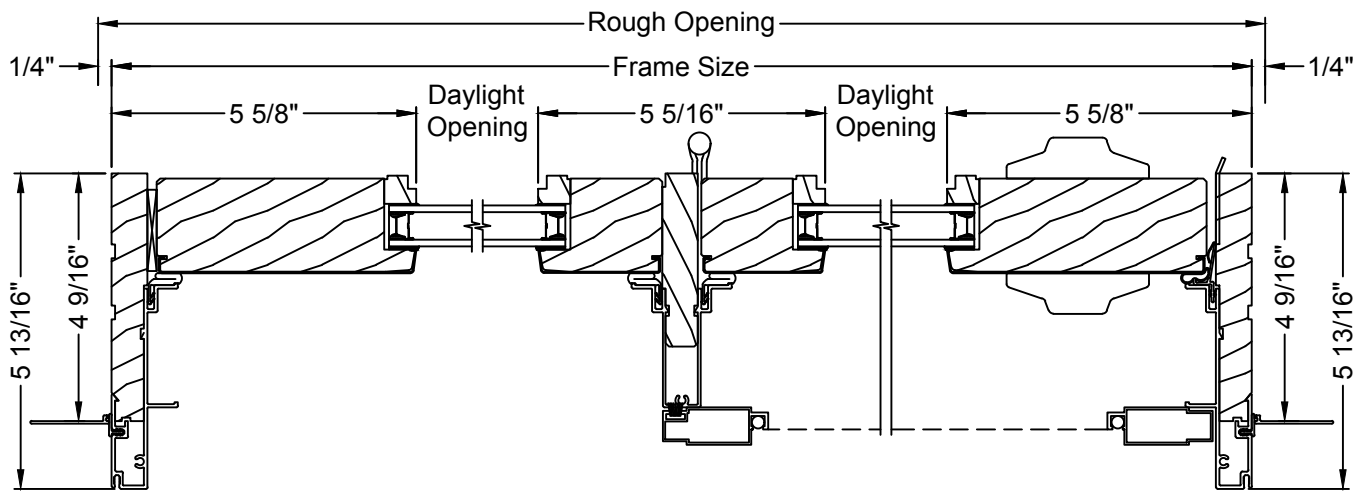


OPERATOR - VERTICAL SECTION





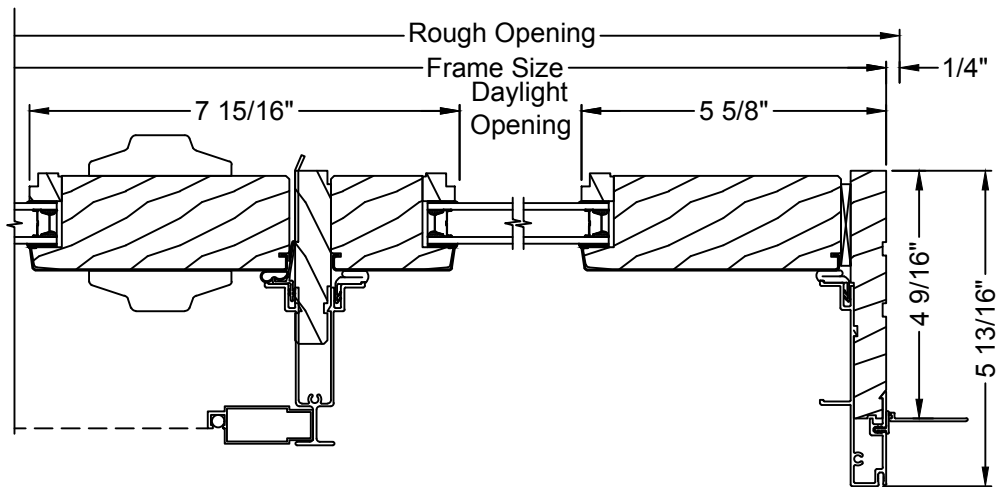
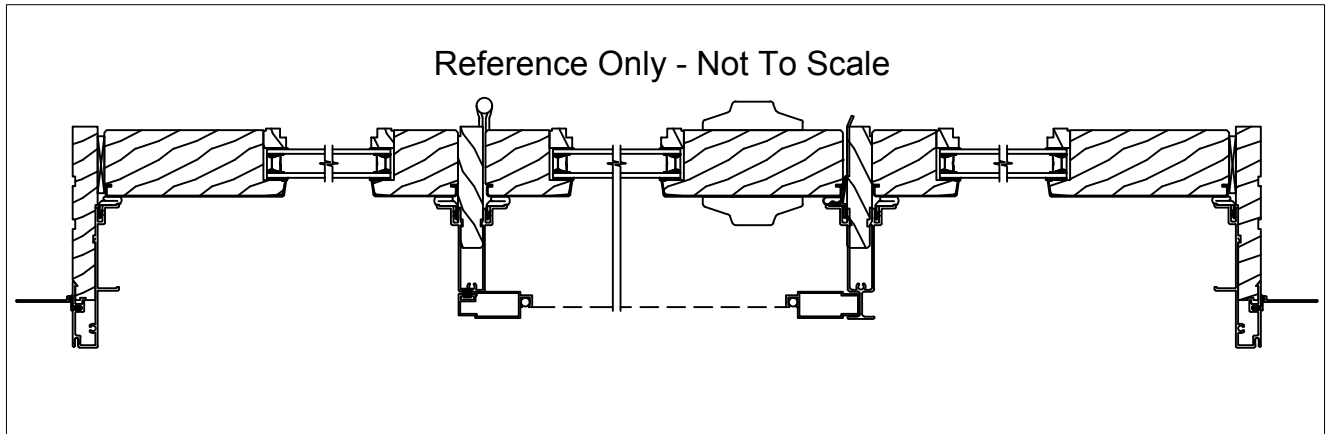
2 PANEL OPERATOR - HORIZONTAL SECTION







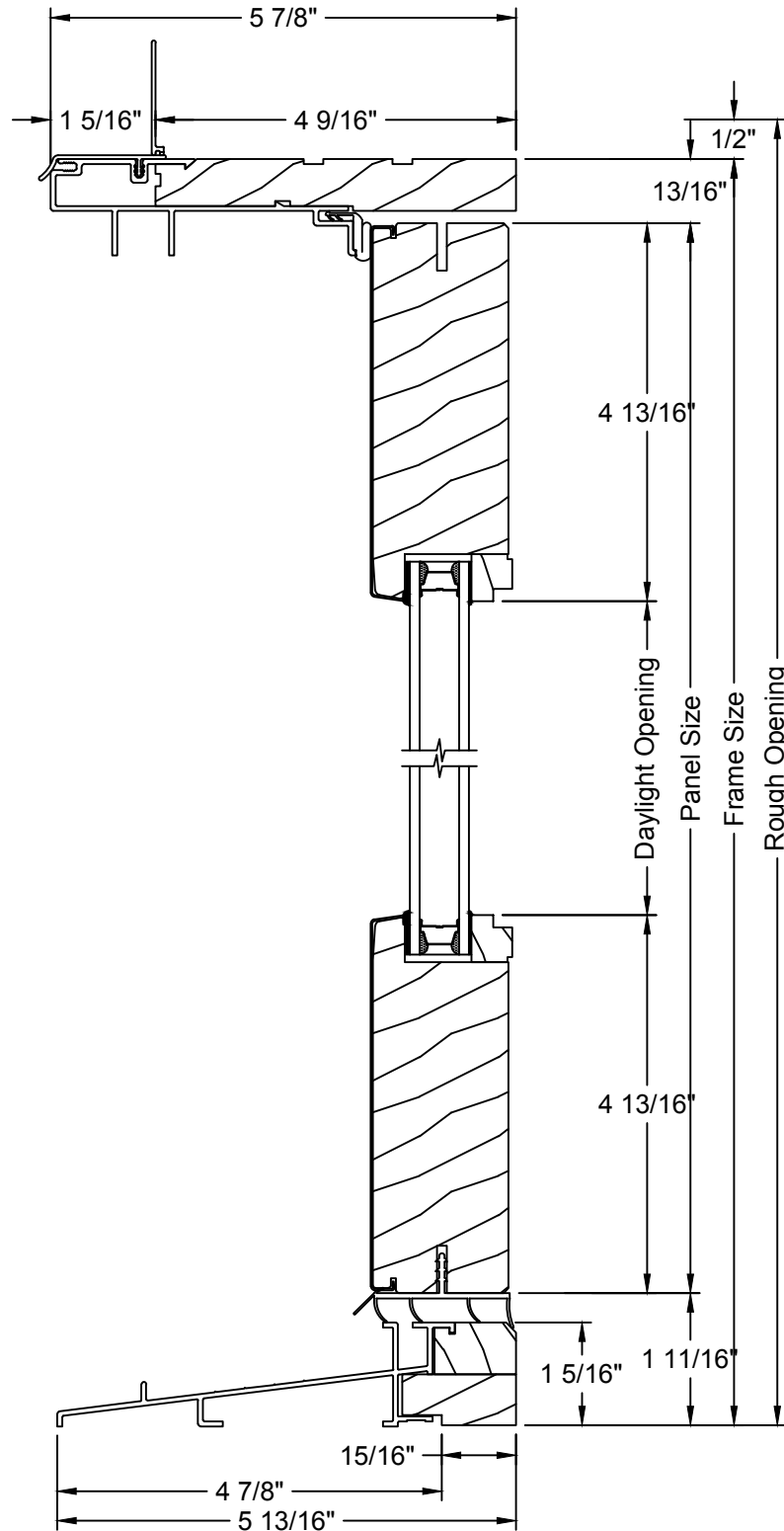
3 PANEL OPERATOR - HORIZONTAL SECTION



Reference 2 Panel Door For  
Remaining Left Side of Door

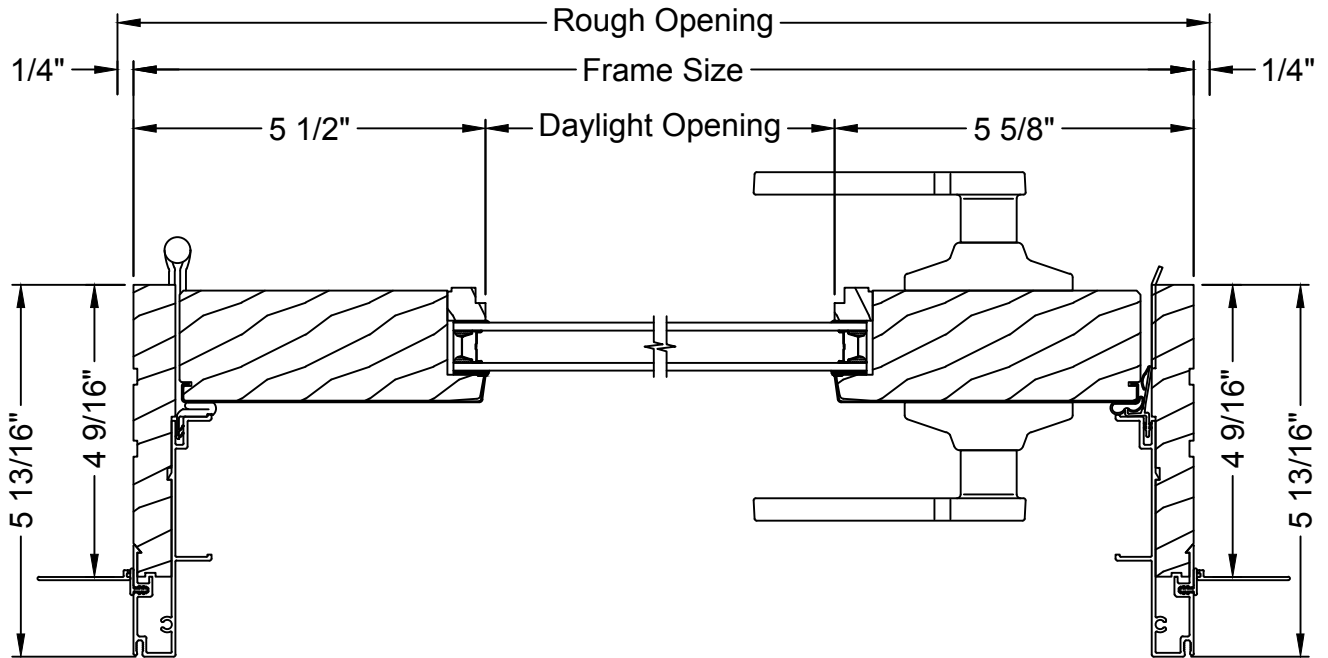


ENTRY DOOR OPERATOR - VERTICAL SECTION



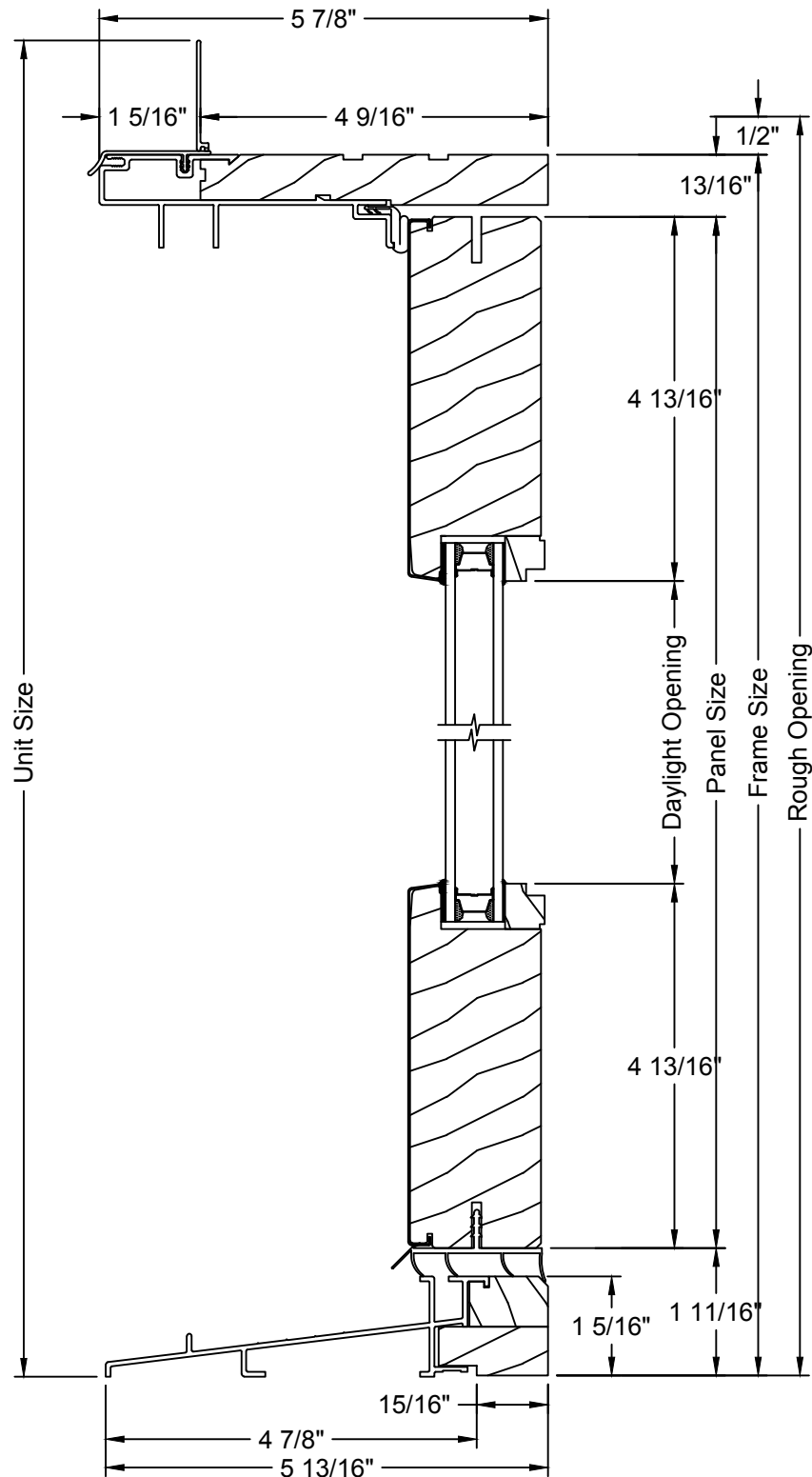


ENTRY DOOR OPERATOR - HORIZONTAL SECTION



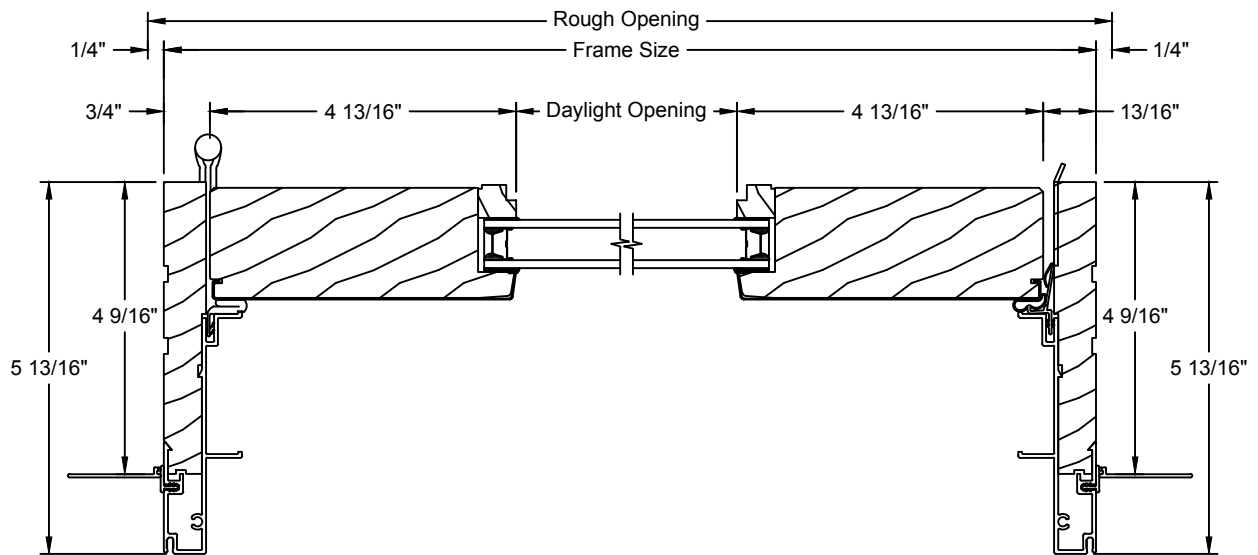


SIDELITE - VERTICAL SECTION



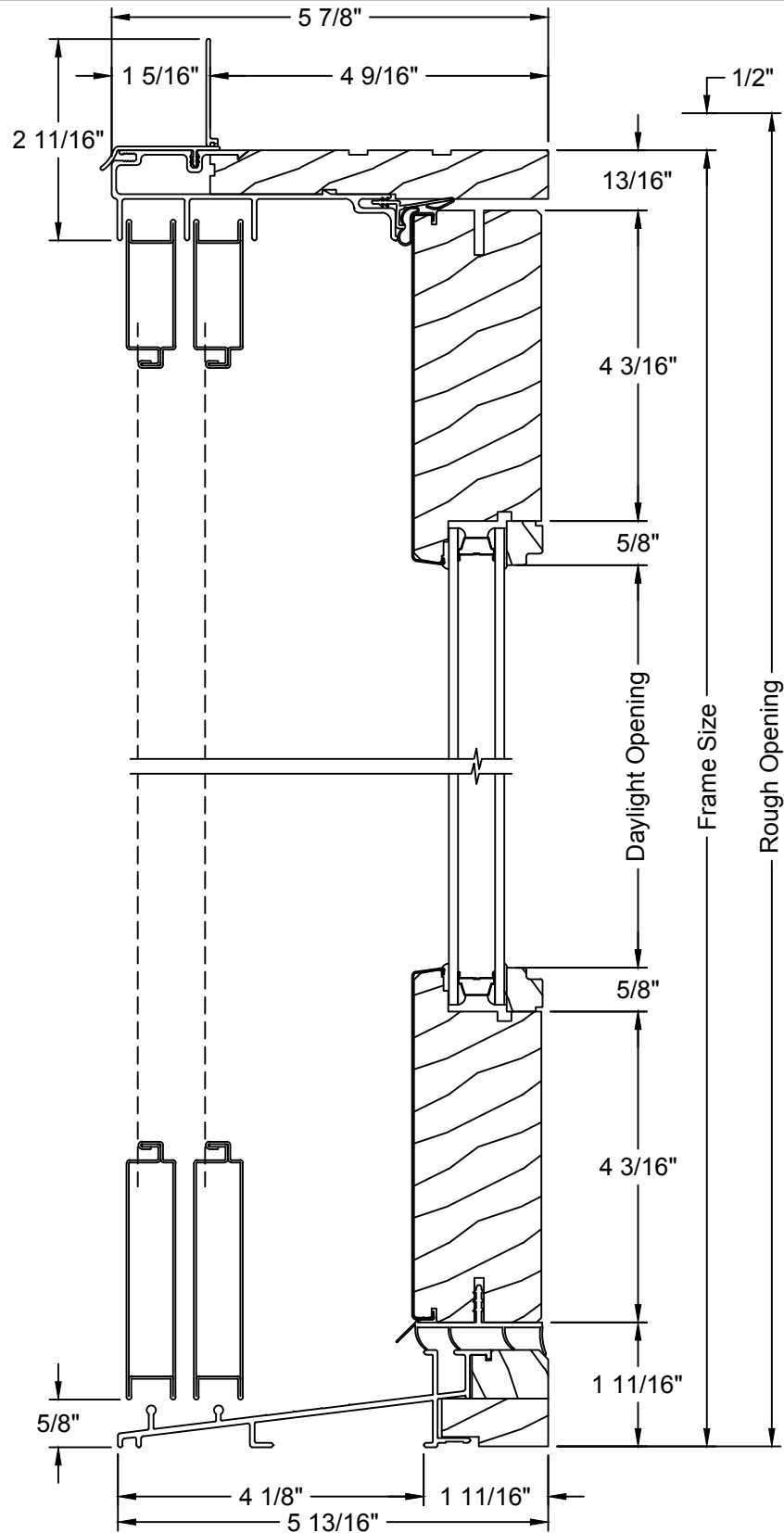


SIDELITE - HORIZONTAL SECTION





FRENCH DOOR 2 PANEL - VERTICAL SECTION





FRENCH DOOR 2 PANEL - HORIZONTAL SECTION

