

HOME
DECORATORS
COLLECTION

KITCHEN & BATH CABINETS

Semi Custom | Ships in 7-10 Days



NEW for 2023
Grayson Deep Onyx



SPECIFICATION GUIDE

Ships in 7-10 Days | Plywood Cabinetry | Soft Close Doors & Drawers
Factory Built in the USA | Limited Lifetime Warranty

For use with 20/20 catalogs: HOME_DEC, HOME_DC2

HDCKitchens.com 866-373-9131

HDCKitchens.com



HomerDesignTools.com



Exclusively at





Semi-Custom Kitchen & Bath Cabinetry

Limited Lifetime Warranty

Ideal Cabinetry® (warrantor) warrants to the original consumer purchaser, that all products manufactured or supplied by warrantor will be free from defects in material and workmanship. This warranty is for your lifetime as long as you own the cabinetry, on product used for Residential Purposes only and is not transferable to subsequent owners. Proof of Purchase is required.

This warranty does not cover damage resulting from normal wear, accident, misuse or lack of reasonable and necessary maintenance and service; nor does it warranty the improper installation or unauthorized repair, alteration, or modification or defects in the product when the product is installed. This warranty is limited to the repair or replacement of the defective part at the sole discretion of warrantor. Warranty is limited to Home Decorators Collection branded products excluding all electrical components: Excluded items may carry separate warranties as provided directly by the manufacturer of these products.

It is our option to provide repair parts or replace with functionally equivalent product. Return of product may be required for replacements. Such repair parts or replacement shall be at warrantor's expense, but customer shall bear all other expenses, including, but not limited to, cost of removal, transportation, re-installation, communication and any special service required by customer such as, overtime labor, etc.

Natural woods and finishes vary in color, grain pattern and exhibit color changes over time. Cabinets may darken or lighten with age due to exposure to certain environmental conditions including but not limited to sunlight, moisture, household cleaners, smoke, etc. Painted cabinets may show cracking at seams. These variations are considered the natural characteristics of the material and finishes and are not covered under this warranty.

In the event of a warranted product performance issue, submit request including proof of purchase documentation, specific description of warranty issue (include photos) in writing to:

Warranty Department
210 Century Boulevard
Bartow, FL 33830

Due to nature of materials and finishes Ideal Cabinetry cannot guarantee warranty replacement will be an exact match.

Ideal Cabinetry reserves the right to alter design, specifications and material without obligation to make changes to product previously manufactured.

EXCEPT TO THE EXTENT PROVIDED BY APPLICABLE LAW, ALL IMPLIED WARRANTIES, INCLUDING WARRANTIES OF MERCHANTABILITY AND FITNESS FOR A PARTICULAR PURPOSE, ARE LIMITED IN DURATION TO THE SHORTER OF THE PERIOD PROVIDED BY LAW OR THE PERIOD OF THIS WARRANTY, AND UNDER NO CIRCUMSTANCE SHALL HOME DECORATORS COLLECTION BE LIABLE FOR INCIDENTAL OR CONSEQUENTIAL DAMAGES SUSTAINED IN CONNECTION WITH THE PRODUCT. THE EXPRESS WARRANTY ABOVE CONSTITUTES THE ENTIRE WARRANTY AND IS IN LIEU OF ALL OTHERS EXPRESSED OR IMPLIED.

Some states do not allow the exclusion or limitation of incidental or consequential damages, or limitation on how long an implied warranty lasts, therefore, the above limitations or exclusions may not apply to you. This warranty gives you specific legal rights, and you may also have other rights, which vary from state to state.

INDEMNITY

Ideal Cabinetry shall not be liable for either its failure to perform or its delays in performance hereunder arising out of or resulting from causes beyond its control, including but not limited to, acts of God, acts of Representation, acts of Government, wars, fires, floods, epidemics, quarantine, strike, freight embargoes, weather or default by suppliers due to any such causes.

Table of Contents

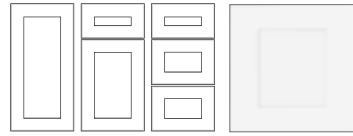


- Door Styles 2-3
- Cabinet Construction 4
- Customization Options..... 5
- Matching Interior Options..... 6
- Style Tips 7-8
- Wall Cabinets 9-22
- Base Cabinets 23-31
- Tall Cabinets..... 32-40
- Vanity Cabinets..... 41-46
- Accessories..... 47-52
- Decorative Molding 53-54
(includes crowns and light rails)
- Decorative Hardware..... 55-56
(includes handles, knobs & cups)
- Cabinet Frame & Opening Dimensions 57-59
- Cabinet Front Only Availability Guide..... 60

PLEASE NOTE: Line drawings are artistic representations of products for general dimensioning purposes. These should not be relied upon for accurate product appearance. Please consult the website or a designer if you have any questions or specific design requirements. Photography is for illustration purposes. Actual colors may vary slightly due to the printing process. We recommend ordering a sample door to see the color and finish you like for yourself.

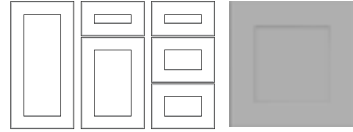
Shaker Door Styles

Newport Pacific White (NPW)



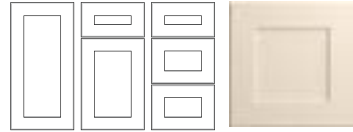
- 3/4" thick x 3" wide MDF Shaker framed doors with 5/8" thick solid MDF center panels
- 3/4" thick x 3" wide MDF Shaker framed drawer fronts with 5/8" thick solid MDF recessed center panels
- Soft close hinges & full extension drawers with soft close
- Available in White painted finish
- Decorative hardware required
- Available with glass doors or open cabinets

Tremont Pearl Gray (TPG)



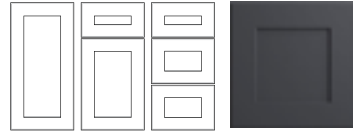
- 3/4" thick x 3" wide MDF Shaker framed doors with 5/8" thick solid MDF center panels
- 3/4" thick x 3" wide MDF Shaker framed drawer fronts with 5/8" thick solid MDF recessed center panels
- Soft close hinges & full extension drawers with soft close
- Available in Gray painted finish
- Decorative hardware required
- Available with glass doors or open cabinets

Newport Blended Cream (NBC)



- 3/4" thick x 3" wide MDF Shaker framed doors with 5/8" thick Solid MDF center Panels
- 3/4" thick x 3" wide MDF Shaker framed drawer fronts with 5/8" thick Solid MDF center Panels
- Soft close hinges & full extension drawers with soft close
- Available in Cream painted finish
- Decorative hardware required
- Available with glass doors or open cabinets

Newport Deep Onyx (NDO)



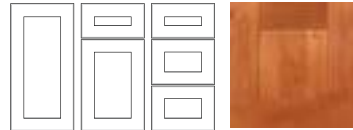
- 3/4" thick x 3" wide MDF Shaker framed doors with 5/8" thick Solid MDF center Panels
- 3/4" thick x 3" wide MDF Shaker framed drawer fronts with 5/8" thick Solid MDF center Panels
- Soft close hinges & full extension drawers with soft close
- Available in Deep Onyx painted finish
- Decorative hardware required
- Available with glass doors or open cabinets

Newport Mythic Blue (NMB)



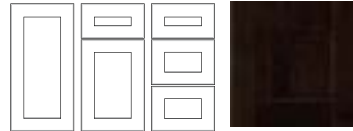
- 3/4" thick x 3" wide MDF Shaker framed doors with 5/8" thick Solid MDF center Panels
- 3/4" thick x 3" wide MDF Shaker framed drawer fronts with 5/8" thick Solid MDF center Panels
- Soft close hinges & full extension drawers with soft close
- Available in Blue painted finish
- Decorative hardware required
- Available with glass doors or open cabinets

Hargrove Cinnamon (HCN)



- 3/4" thick x 3" wide solid maple Shaker mortise and tenon framed doors with 5/8" thick veneer over MDF recessed center panels
- 3/4" thick x 3" wide solid maple Shaker mortise and tenon framed drawer fronts with 5/8" thick veneer over MDF recessed center panels
- Soft close hinges & full extension drawers with soft close
- Available in Cinnamon stain finish
- Decorative hardware required
- Available with glass doors or open cabinets

Franklin Manganite (FMG)



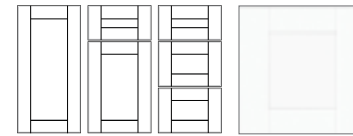
- 3/4" thick x 3" wide solid maple Shaker mortise and tenon framed doors with 5/8" thick veneer over MDF recessed center panels
- 3/4" thick x 3" wide solid maple Shaker mortise and tenon framed drawer fronts with 5/8" thick veneer over MDF recessed center panels
- Soft close hinges & full extension drawers with soft close
- Available in dark Mocha stain finish
- Decorative hardware required
- Available with glass doors or open cabinets

All of our painted door styles feature solid wood painted face frames. As with any painted wood surface, expansion and contraction with changes in climate may cause fractures in the paint surface at joints. This is an acceptable characteristic and will vary based on climate conditions. In addition, there may be a slight color shift over time due to continued exposure to both natural and artificial light.

Full Overlay cabinetry is constructed from various pieces of solid wood and wood veneers. Differences in grain pattern and color should be expected. Color differences in wood are the result of variations in minerals found in the soil native to the tree's origin. Absorption of these minerals will vary by tree or parts of said tree. In addition, color changes can be experienced due to different exposure to light. All species of wood will display characteristics such as knots, pinholes, sap runs, mineral streaks and darkening with age. It is the natural beauty of wood to exhibit these characteristics and they will be present throughout your cabinetry.

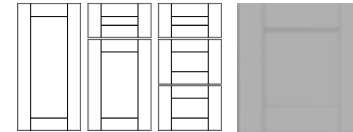
Shaker Door Styles

Washington Vesper White (VWW)



- 3/4" thick x 3" vinyl clad MDF recessed panel doors with flat melamine back
- 3/4" thick x 3" vinyl clad MDF recessed panel drawer fronts with flat melamine back
- Soft close hinges & full extension drawers with soft close
- Available in White
- Decorative hardware required
- Not available with glass doors
- Available with open cabinets

Washington Veiled Gray (WVG)



- 3/4" thick x 3" vinyl clad MDF recessed panel doors with flat melamine back
- 3/4" thick x 3" vinyl clad MDF recessed panel drawer fronts with flat melamine back
- Soft close hinges & full extension drawers with soft close
- Available in Gray
- Decorative hardware required
- Not available with glass doors
- Available with open cabinets

Washington Vessel Blue (WVB)



- 3/4" thick x 3" vinyl clad MDF recessed panel doors with flat white melamine back
- 3/4" thick x 3" vinyl clad MDF recessed panel drawer fronts with flat white melamine back
- Soft close hinges & full extension drawers with soft close
- Available in Blue
- Decorative hardware required
- Not available with glass doors
- Available with open cabinets

New for 2023

Grayson Pacific White (GPW)



- 3/4" thick x 3" wide MDF Shaker framed doors with 5/8" thick solid MDF raised center panels
- 3/4" thick x 3" wide MDF Shaker framed drawer fronts with 5/8" thick solid MDF raised center panels
- Soft close hinges & full extension drawers with soft close
- Available in White painted finish
- Decorative hardware required
- Available with glass doors or open cabinets
- 9" wide and smaller doors will not feature a raised center panel

Grayson Pearl Gray (GPG)



- 3/4" thick x 3" wide MDF Shaker framed doors with 5/8" thick solid MDF raised center panels
- 3/4" thick x 3" wide MDF Shaker framed drawer fronts with 5/8" thick solid MDF raised center panels
- Soft close hinges & full extension drawers with soft close
- Available in Gray painted finish
- Decorative hardware required
- Available with glass doors or open cabinets
- 9" wide and smaller doors will not feature a raised center panel

Grayson Deep Onyx (GDO)



- 3/4" thick x 3" wide MDF Shaker framed doors with 5/8" thick solid MDF raised center panels
- 3/4" thick x 3" wide MDF Shaker framed drawer fronts with 5/8" thick solid MDF raised center panels
- Soft close hinges & full extension drawers with soft close
- Available in Deep Onyx painted finish
- Decorative hardware required
- Available with glass doors or open cabinets
- 9" wide and smaller doors will not feature a raised center panel

Grayson Mythic Blue (GMB)



- 3/4" thick x 3" wide MDF Shaker framed doors with 5/8" thick solid MDF raised center panels
- 3/4" thick x 3" wide MDF Shaker framed drawer fronts with 5/8" thick solid MDF raised center panels
- Soft close hinges & full extension drawers with soft close
- Available in Blue painted finish
- Decorative hardware required
- Available with glass doors or open cabinets
- 9" wide and smaller doors will not feature a raised center panel

Raised Panel Shaker Door Styles



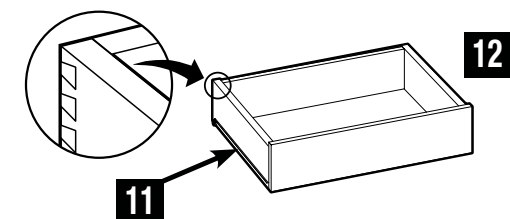
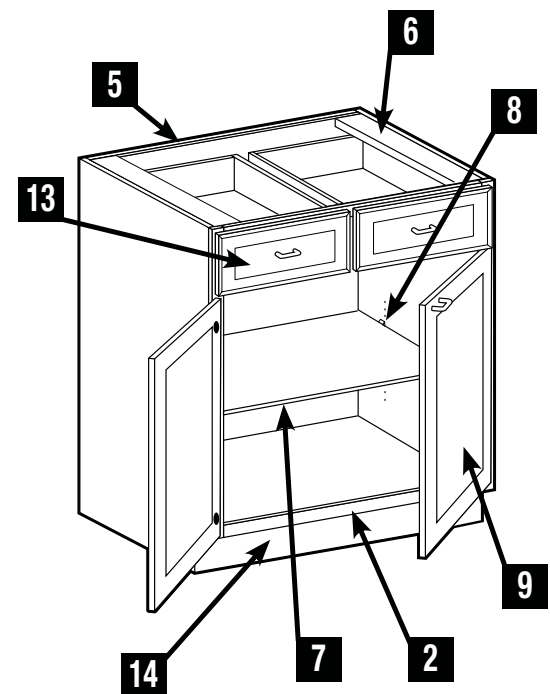
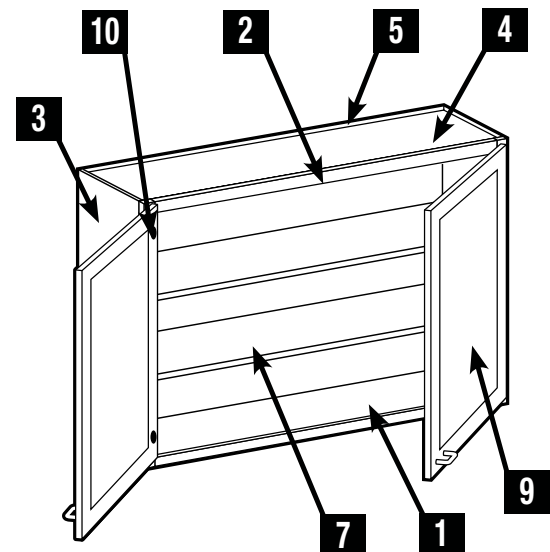
Scan to
Order Door
Samples



Scan to
View
Gallery

Photography is for illustration purposes. Actual colors may vary slightly due to the printing process. We recommend ordering a sample door to see the color and finish you like for yourself.

Standard Cabinet Construction



1	INTERIOR	Natural birch laminate provides a durable, wipe clean finish.
2	FACE FRAME	1½" wide x ¾" thick solid hardwood pocket screwed.
3	END PANELS	½" thick CARB2 plywood, exterior laminate is color matched to the face frame.
4	FLOOR & CEILING	½" thick CARB2 plywood, both sides captured by end panels.
5	BACK PANELS	½" thick CARB2 plywood with natural birch laminate interior and raw exterior. The 'clipped' back panels on Wall Angle and Easy Reach Corner cabinets will be ¼" plywood.
6	"I-BEAM" SUPPORTS	½" thick CARB2 plywood, full depth braces provide stability and support for countertop attachment.
7	ADJUSTABLE SHELVES	¾" thick CARB2 plywood finished with natural birch laminate and matching edgebanding. Base and wall adjustable shelves are full depth. 75 lb. weight capacity
8	SHELF SUPPORTS	Clear, high strength plastic with locking top tab to prevent shelf tip. Provides easy shelf adjustment.
9	DOORS	Stylish, full-overlay doors available in stained hardwoods or MDF. See pages 2-3 for details.
10	HINGES	Fully concealed 110° opening Soft Close hinges with 6-way adjustment for ease of alignment.
11	RUNNERS/GLIDES	Drawers feature smooth gliding, full extension, ball bearing runners with Soft Closing shocks that engage when drawer is 1" from closed. Interior roll out trays have epoxy coated side mount runners. Both are rated for 100lb static and 75lb dynamic loads.
12	DRAWERS & ROLL-OUT TRAYS	5/8" thick finger jointed hardwood four sided dovetail box construction, finished with a clear top coat and a ¼" thick captured plywood floor. 75 lb. weight capacity
13	DRAWER FRONTS	Stylish full overlay drawer fronts. See pages 2-3 for details. For Standard kitchen base cabinets, the drawer front is 8" high. For drawer base cabinets, the top drawer front is 8" high and the bottom two drawer fronts are 10 ½" high.
14	INTEGRAL TOE KICK	½" thick plywood secured between end panels. Provides solid backing for installation of Matching Toe Kick (MTK8) or other materials such as ceramic, vinyl, etc.



Customization Options

FINISHED END OPTIONS



1. All Cabinet Sides are manufactured from ½" thick CARB2 compliant plywood covered with a laminate which is color-matched to the face frame and doors.

2. Optional Matching End Panels are ¾" thick overlay panels that match the construction of the door style selected. They are available for standard depth base cabinets (MBEP) and standard depth wall cabinets in three heights (MWEP30, MWEP36, MWEP42). Matching End Panels are packaged separately for field installation. Detailed specs for these items can be found on page 50.

CUSTOM DEPTH

CABINET TYPE	CUSTOM DEPTH MIN-MAX
12" DEEP WALL	5" to 15"
24" DEEP WALL	16" to 23"
STANDARD BASE*	9" to 23"
BASE DRAWER*	15" to 23"
TALL UTILITY/LINEN	9" to 23"

- Available on standard cabinet types in 1" depth increments

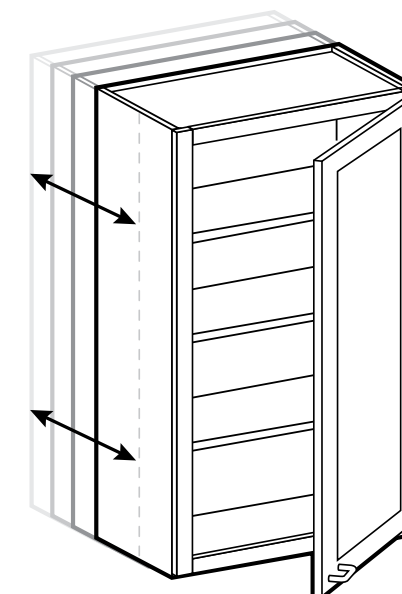
* Base cabinets with drawers that are customized from 15" to 23" deep will include working drawers. 9" to 14" deep cabinets will have no drawer and a false drawer front.

* Vanity cabinets can be customized by selecting the standard base version. For example: select BD18 instead of a VBD1821 and customize the depth.

* Custom Depth changes need to be added to the cabinet before the order is placed. This can be done in your design program or in the shopping cart.



2020 TIP



Matching Interior Options

Shelf adjustment holes will be visible on the back wall and side walls of the cabinet interior

Wall Cabinets prepared for glass (PFG)

Found on pages 14-17



- Wall cabinets traditional door frames will be routed and prepared for clear glass (PFG).
- Clear glass panels will be furnished cut to size and will ship separately, direct to the ship-to address, for field installation
- It is recommended that the glass panels be installed with clear silicone
- PFG cabinet interiors will automatically be finished to match the face frame color, including adjustable shelves
- Not available in WVB/WVG/WVV door styles

Tall Cabinets prepared for glass (PFG)

Found on pages 36-38

- Not available in WVB/WVG/WVV door styles.

Vanity linen Cabinets prepared for glass (PFG)

Found on pages 45



- Tall Utility/Vanity Linen cabinets – only the upper door frames will be routed and prepped for clear glass (PFG).
- Matching Interior shelves are only supplied for the upper portion of the cabinet, where the PFG doors are located when roll out trays are indicated.
- Lower portion will have solid finger jointed hardwood roll out trays if roll out trays are indicated
- Standard Base, Vanity Base, and lower doors on Tall cabinets are not available Prepped For Glass as a safety precaution
- Not available in WVB/WVG/WVV door styles.

Wall Cabinets with no doors (ND)

Found on pages 18-21



Tall Cabinets with no doors (ND)

Found on pages 39

Vanity linen Cabinets with no doors (ND)

Found on pages 46



Base Cabinets with no doors (ND)

Found on pages 30



- 'No Door' cabinet interiors and shelves will be finished to match the face frame color

Style Tips



Newport Mythic Blue and Newport Pacific White

Add a new level to your island by using desk height cabinets. These are good for baking area's or kids work spaces. To create the decorative panel look on the side of unique spaces, you can use our fillers and cut them to fit on the job site.



Newport Deep Onyx

Turn your laundry room into a room you enjoy being in! Add a large sink and drawers for easy clean-up and storage. Open shelves give easy access and an open feel to your new space.



Newport Blended Cream

Make wall storage open and airy using No Door (ND) cabinets and glass door cabinets (PFG) together with standard wall cabinets. These cabinets are available in all wall cabinet sizes we offer, so get creative!

Style Tips



Newport Mythic Blue and Newport Pacific White

Need a nice square post for your island, or want a raised bar? Use fillers to create a square post to the width and height of your choosing. This image uses 6" wide fillers, however 3" wide fillers can be used as well. To create the apron under the countertop turn fillers horizontally and cut to fit on the job site.



Franklin Manganite

Want countertop storage that is behind closed doors? Use wall bridge cabinets in 18" high, placed under standard wall cabinets to create this space. You can add dimension to your kitchen by making these cabinets 15" deep, and gain extra storage as well! No door bridge cabinets can help create an open feel to your space. Placing these above a baking area or desk area can give easy access to cookbooks, mixing bowls or nice décor! Make sure to purchase skin to conceal any seams.



Washington Veiled Gray

Using a full height door cabinet for your sink base can add a modern twist to your traditional kitchen. Make your new kitchen transitional!

Wall Cabinets

WALL CABINET CODING

STANDARD (12" DEEP)

W 30 30

↑ ↑ ↑

Cabinet Code Cabinet Width Cabinet Height

REFRIGERATOR (24" DEEP)

W 36 24 18

↑ ↑ ↑ ↑

Cabinet Code Cabinet Width Cabinet Depth Cabinet Height

- All wall cabinets are 12" deep unless otherwise noted. Actual height of 24" high cabinets is 23½" overall. Refrigerator wall cabinets are 24" deep.
- Cabinet depth does not include door thickness
- Products are available in all door styles unless stated otherwise
- Standard cabinet exterior sides are color matched to face frame
- Soft close hinges unless stated otherwise

15" High Double Door

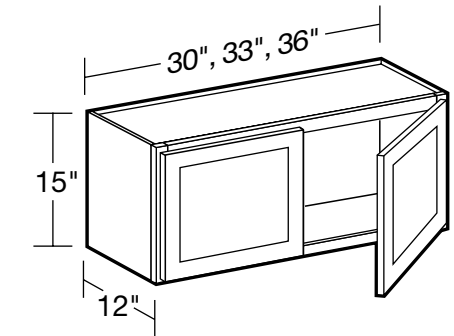


CUSTOM DEPTH

W3015

W3315

W3615



- No adjustable shelf
- **CUSTOM DEPTH: 5" to 15" deep**

12" High Double Door

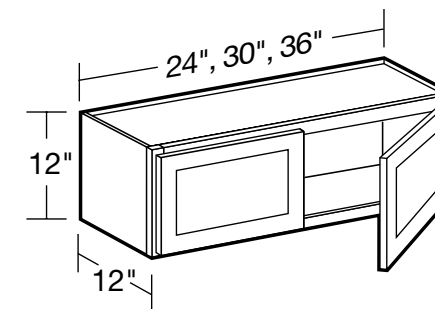


CUSTOM DEPTH

W2412

W3012

W3612



- No adjustable shelf
- **CUSTOM DEPTH: 5" to 15" deep**

15" High x 24" Deep Double Door

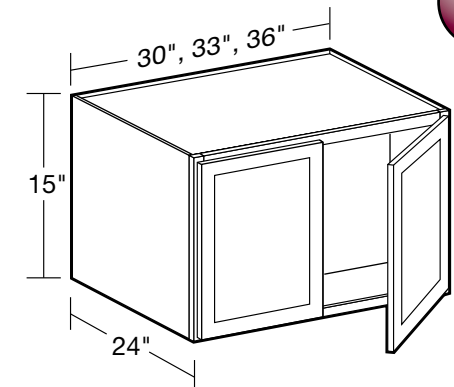


CUSTOM DEPTH

W302415

W332415

W362415



- No adjustable shelf
- Must be supported from back and both sides
- **CUSTOM DEPTH: 16" to 23" deep**

12" High x 24" Deep Double Door

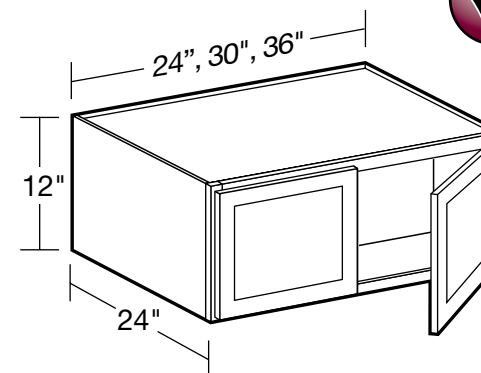


CUSTOM DEPTH

W242412

W302412

W362412



- No adjustable shelf
- Must be supported from back and both sides
- **CUSTOM DEPTH: 16" to 23" deep**

18" High Double Door

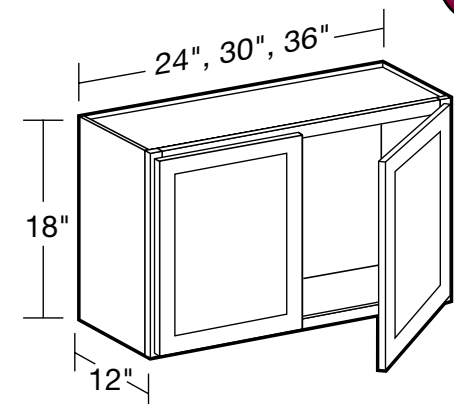


CUSTOM DEPTH

W2418

W3018

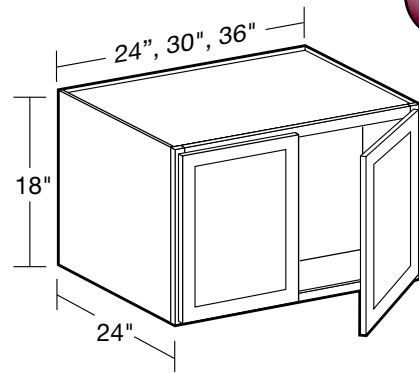
W3618



- No adjustable shelf
- **CUSTOM DEPTH: 5" to 15" deep**

Wall Cabinets

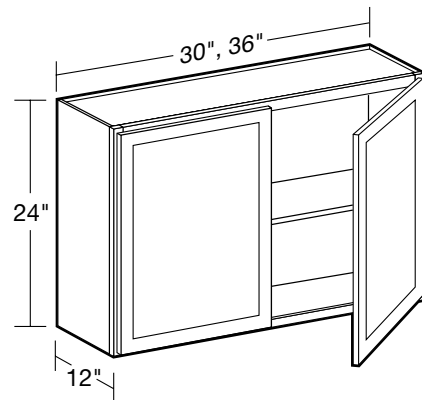
18" High x 24" Deep Double Door



W242418
W302418
W362418

- No adjustable shelf
- Must be supported from back and both sides
- **CUSTOM DEPTH: 16" to 23" deep**

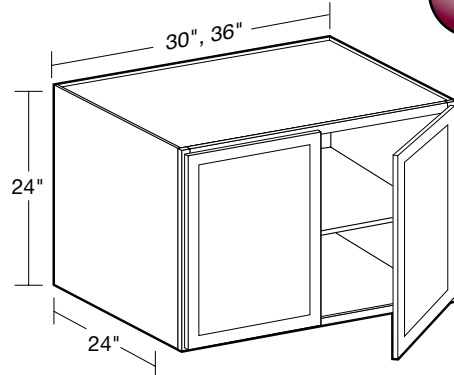
24" High Double Door



W3024
W3624

- One adjustable shelf
- **CUSTOM DEPTH: 5" to 15" deep**

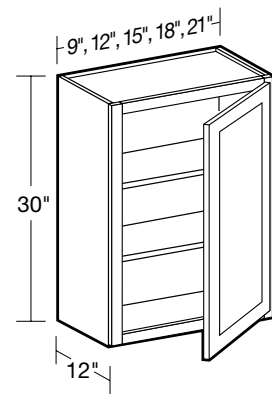
24" High x 24" Deep Double Door



W302424
W362424

- One adjustable shelf
- Must be supported from back and both sides
- **CUSTOM DEPTH: 16" to 23" deep**

30" High Single Door

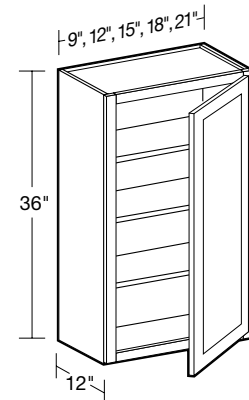


SPECIFY
RIGHT or LEFT HINGED

W0930
W1230
W1530
W1830
W2130

- Two adjustable shelves
- 9" Wide G-Door styles will not feature a raised center panel
- **CUSTOM DEPTH: 5" to 15" deep**

36" High Single Door

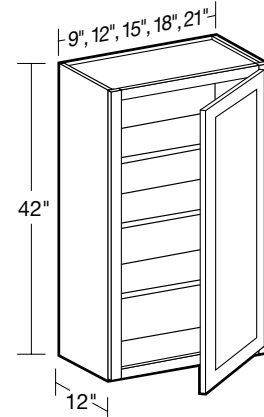


SPECIFY
RIGHT or LEFT HINGED

W0936
W1236
W1536
W1836
W2136

- Three adjustable shelves
- 9" Wide G-Door styles will not feature a raised center panel
- **CUSTOM DEPTH: 5" to 15" deep**

42" High Single Door

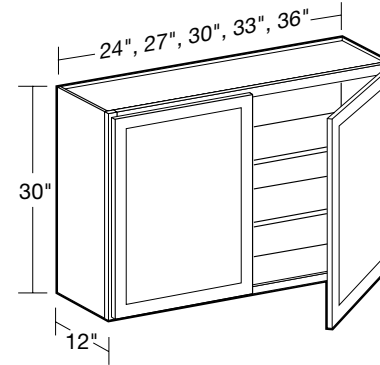


SPECIFY
RIGHT or LEFT HINGED

W0942
W1242
W1542
W1842
W2142

- Three adjustable shelves
- 9" Wide G-Door styles will not feature a raised center panel
- **CUSTOM DEPTH: 5" to 15" deep**

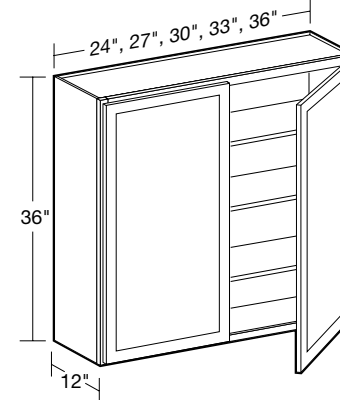
30" High Double Door



W2430
W2730
W3030
W3330
W3630

- Two adjustable shelves
- **CUSTOM DEPTH: 5" to 15" deep**

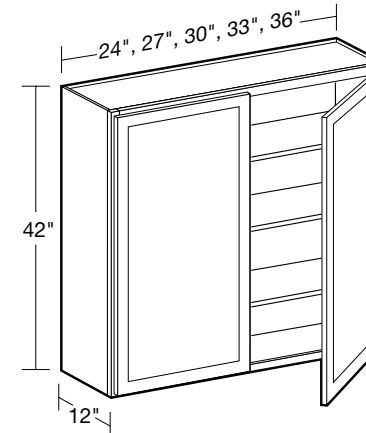
36" High Double Door



W2436
W2736
W3036
W3336
W3636

- Three adjustable shelves
- **CUSTOM DEPTH: 5" to 15" deep**

42" High Double Door

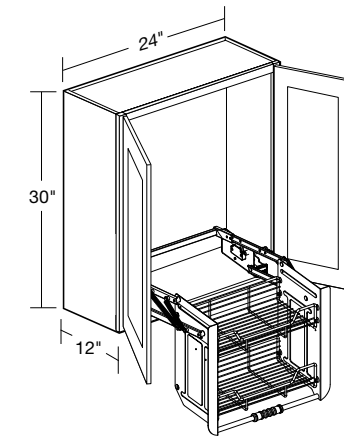


W2442
W2742
W3042
W3342
W3642

- Three adjustable shelves
- **CUSTOM DEPTH: 5" to 15" deep**

Wall Cabinets

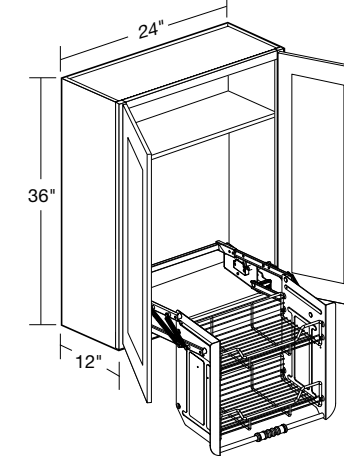
30" High Double Door with Pull Down Chrome Shelves



W2430-PDSCR

- Field install at desired height in cabinet
- Two tier chrome shelves lowers 10" and brings items forward 14 3/4"
- Gas assisted mechanism smoothly raises and lowers unit
- Locking arm feature holds shelf in down position
- No adjustable shelf

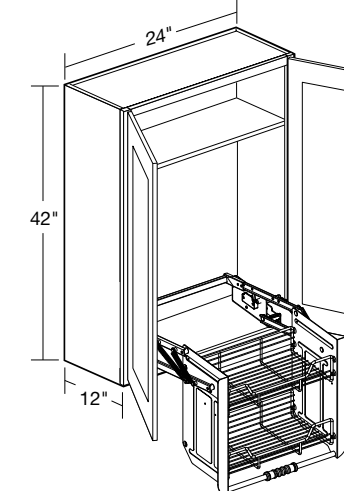
36" High Double Door with Pull Down Chrome Shelves



W2436-PDSCR

- Field install at desired height in cabinet
- Two tier chrome shelves lowers 10" and brings items forward 14 3/4"
- Gas assisted mechanism smoothly raises and lowers unit
- Locking arm feature holds shelf in down position
- One adjustable shelf

42" High Double Door with Pull Down Chrome Shelves

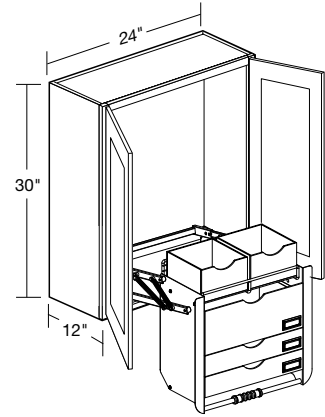


W2442-PDSCR

- Field install at desired height in cabinet
- Two tier chrome shelves lowers 10" and brings items forward 14 3/4"
- Gas assisted mechanism smoothly raises and lowers unit
- Locking arm feature holds shelf in down position
- One adjustable shelf

Wall Cabinets

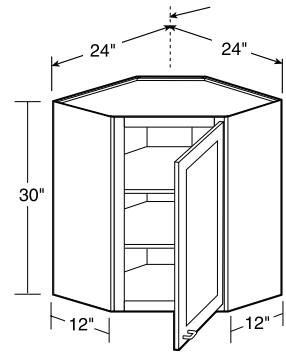
30" High Double Door with Pull Down Frosted Shelves



W2430-PDSFR

- Field install at desired height in cabinet
- Features 5 removable acrylic storage bins
- Lowers items 10" and brings forward 14 3/4"
- Gas assisted mechanism smoothly raises and lowers unit
- Locking arm feature
- No adjustable shelf

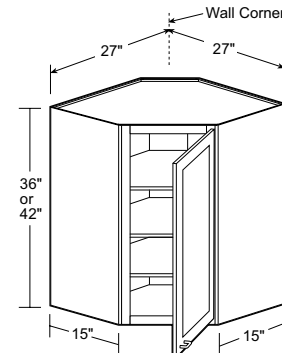
30" High Wall Angle



SPECIFY
RIGHT or LEFT HINGED
WA2430

- Two adjustable shelves
- Clip corner back provides clearance for installation
- Clip corner back is 1/4" plywood

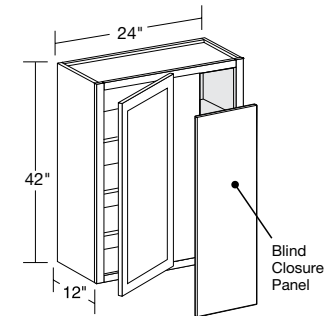
36" and 42" High x 15" Deep Wall Angle



SPECIFY
RIGHT or LEFT HINGED
WA271536
WA271542

- Three adjustable shelves
- Clip corner back provides clearance for installation
- Clip corner back is 1/4" plywood

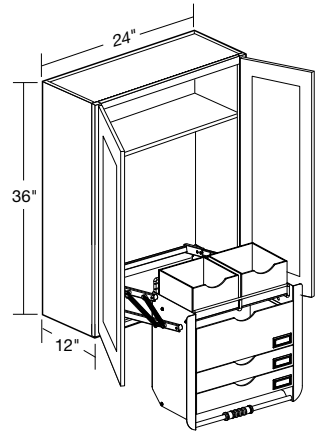
42" High Wall Blind Corner



SPECIFY
RIGHT or LEFT BLIND
WBCU2742

- Three adjustable shelves
- Indicate R or L for blind side (right shown)
- Cabinet can be pulled for exact fit (see installation chart)
- 3" filler & 3/16" blind closure panel included - field installed
- Door width is 11-3/4"
- **CUSTOM DEPTH: 5" to 15" deep**

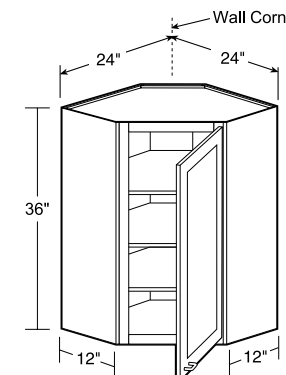
36" High Double Door with Pull Down Frosted Shelves



W2436-PDSFR

- Field install at desired height in cabinet
- Features 5 removable acrylic storage bins
- Lowers items 10" and brings forward 14 3/4"
- Gas assisted mechanism smoothly raises and lowers unit
- Locking arm feature
- One adjustable shelf

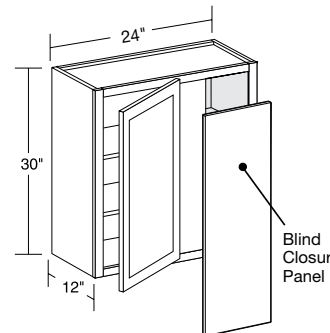
36" High Wall Angle



SPECIFY
RIGHT or LEFT HINGED
WA2436

- Three adjustable shelves
- Clip corner back provides clearance for installation
- Clip corner back is 1/4" plywood

30" High Wall Blind Corner



SPECIFY
RIGHT or LEFT BLIND
WBCU2730

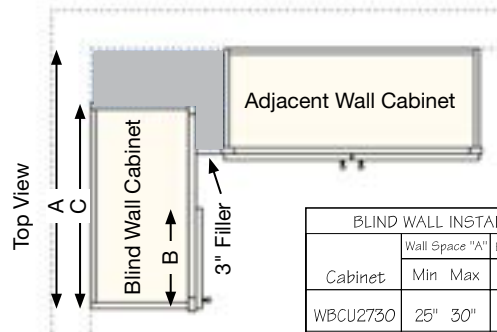
- Two adjustable shelves
- Indicate R or L for blind side (right shown)
- Cabinet can be pulled for exact fit (see installation guide)
- 3" filler & 3/16" blind closure panel included - field installed
- Door width is 11-3/4"
- **CUSTOM DEPTH: 5" to 15" deep**

Blind Corner Installation Guide

*Gray area represents empty space. Cabinet is designed to be pulled for exact space.

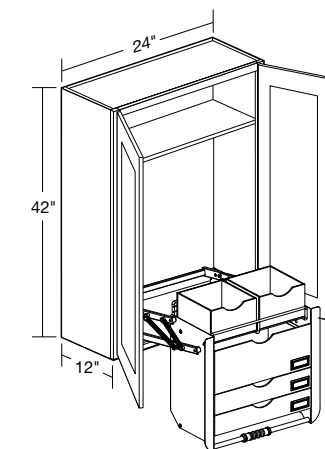


2020 TIP



Cabinet	Wall Space "A"		Frame Opening	Cabinet
	Min	Max	Width "B"	Width "C"
WBCU2730	25"	30"	8 7/8"	24"
WBCU2736	25"	30"	8 7/8"	24"
WBCU2742	25"	30"	8 7/8"	24"

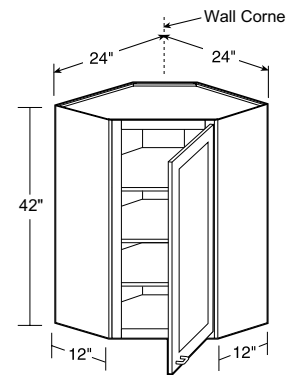
42" High Double Door with Pull Down Frosted Shelves



W2442-PDSFR

- Field install at desired height in cabinet
- Features 5 removable acrylic storage bins
- Lowers items 10" and brings forward 14 3/4"
- Gas assisted mechanism smoothly raises and lowers unit
- Locking arm feature
- One adjustable shelf

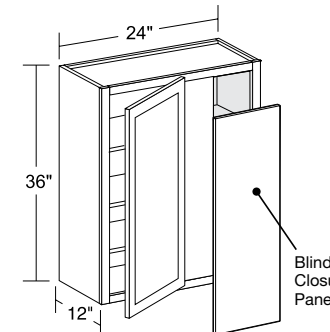
42" High Wall Angle



SPECIFY
RIGHT or LEFT HINGED
WA2442

- Three adjustable shelves
- Clip corner back provides clearance for installation
- Clip corner back is 1/4" plywood

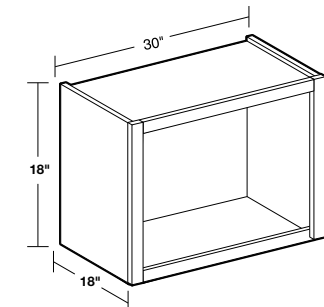
36" High Wall Blind Corner



SPECIFY
RIGHT or LEFT BLIND
WBCU2736

- Three adjustable shelves
- Indicate R or L for blind side (right shown)
- Cabinet can be pulled for exact fit (see installation guide)
- 3" filler & 3/16" blind closure panel included - field installed
- Door width is 11-3/4"
- **CUSTOM DEPTH: 5" to 15" deep**

Wall Microwave Cabinet



WMC301818ND

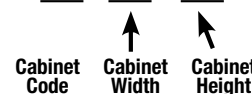
- Matching interior and exterior sides standard
- Best installed between two cabinets or cabinet and wall if possible
- Cannot be installed against Wall Angle cabinet (WA) or Wall Blind Corner Unit (WBCU)

Wall Cabinets with Glass Doors

WALL CABINET CODING

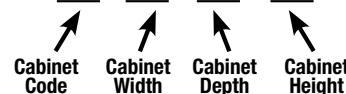
STANDARD (12" DEEP)

W 30 30



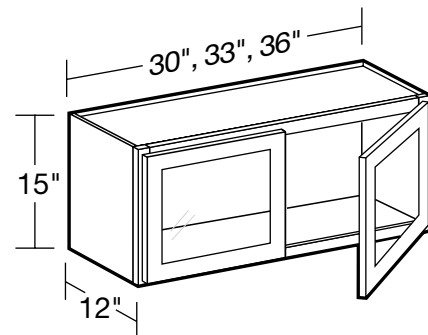
REFRIGERATOR (24" DEEP)

W 36 24 18



- Standard wall cabinets are 12" deep. Refrigerator wall cabinets are 24" deep.
- Cabinet depth does not include door thickness
- Not available in WVV, WVG or WVB
- Standard cabinet exterior sides are color matched to face frame
- Clear glass ships separate from cabinets
- Matching interiors are standard in PFG cabinets
- Soft close hinges
- Shelf adjustment holes on the interior sides and back of cabinets will be visible**

15" High Double Door

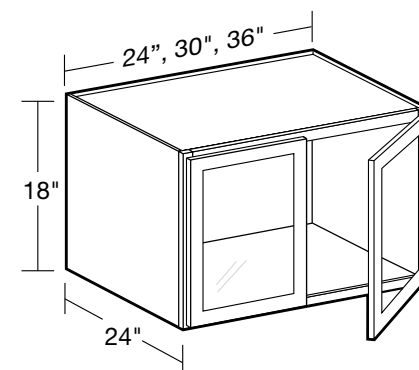


- No adjustable shelf
- CUSTOM DEPTH: 5" to 15" deep**



W3015PFG
W3315PFG
W3615PFG

18" High x 24" Deep Double Door

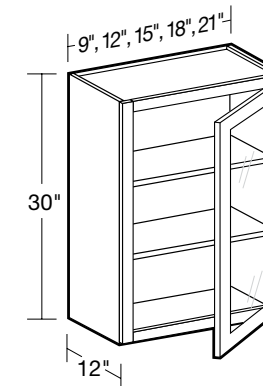


- No adjustable shelf
- Must be supported from back and both sides
- CUSTOM DEPTH: 16" to 23" deep**



W242418PFG
W302418PFG
W362418PFG

30" High Single Door



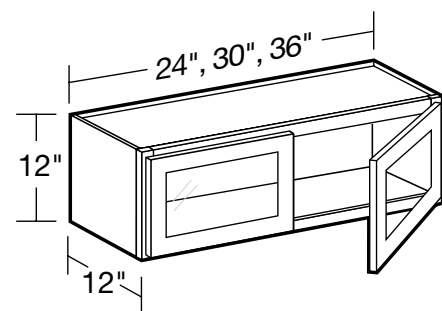
- Two adjustable shelves, matching cabinet finish
- 9" Wide G-Door styles will not feature a raised center panel**
- CUSTOM DEPTH: 5" to 15" deep**



SPECIFY
RIGHT or LEFT HINGED

W0930PFG
W1230PFG
W1530PFG
W1830PFG
W2130PFG

12" High Double Door

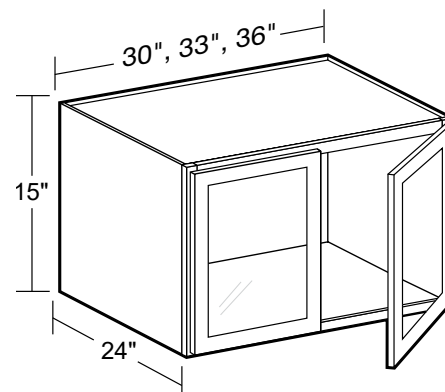


- No adjustable shelf
- CUSTOM DEPTH: 5" to 15" deep**



W2412PFG
W3012PFG
W3612PFG

15" High x 24" Deep Double Door

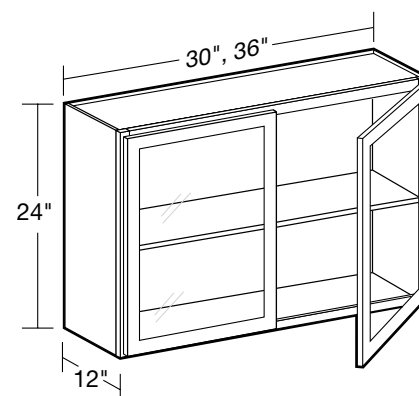


- No adjustable shelf
- Must be supported from back and both sides
- CUSTOM DEPTH: 16" to 23" deep**



W302415PFG
W332415PFG
W362415PFG

24" High Double Door

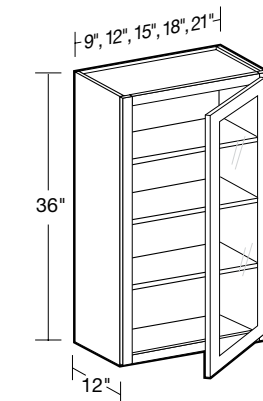


- One adjustable shelf, matching cabinet finish
- CUSTOM DEPTH: 5" to 15" deep**



W3024PFG
W3624PFG

36" High Single Door



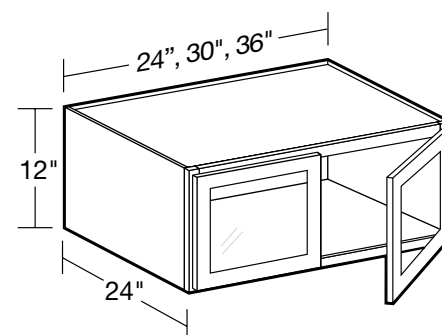
- Three adjustable shelves, matching cabinet finish
- 9" Wide G-Door styles will not feature a raised center panel**
- CUSTOM DEPTH: 5" to 15" deep**



SPECIFY
RIGHT or LEFT HINGED

W0936PFG
W1236PFG
W1536PFG
W1836PFG
W2136PFG

12" High x 24" Deep Double Door

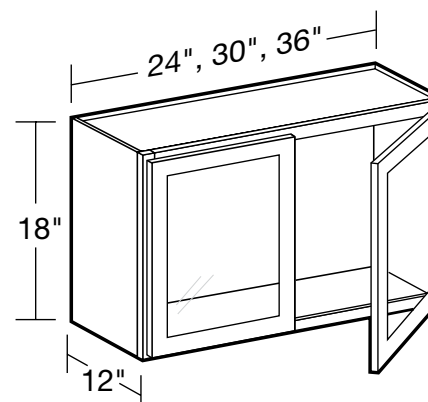


- No adjustable shelf
- Must be supported from back and both sides
- CUSTOM DEPTH: 16" to 23" deep**



W242412PFG
W302412PFG
W362412PFG

18" High Double Door

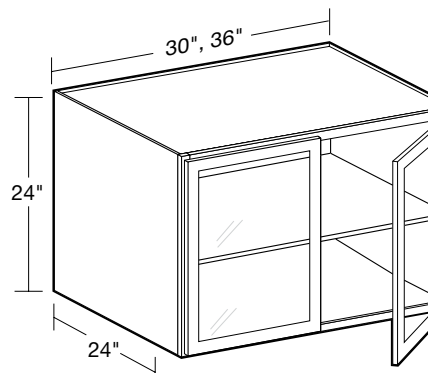


- No adjustable shelf
- CUSTOM DEPTH: 5" to 15" deep**



W2418PFG
W3018PFG
W3618PFG

24" High x 24" Deep Double Door

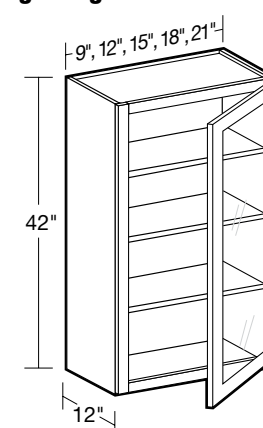


- One adjustable shelf, matching cabinet finish
- Must be supported from back and both sides
- CUSTOM DEPTH: 16" to 23" deep**



W302424PFG
W362424PFG

42" High Single Door



- Three adjustable shelves, matching cabinet finish
- 9" Wide G-Door styles will not feature a raised center panel**
- CUSTOM DEPTH: 5" to 15" deep**

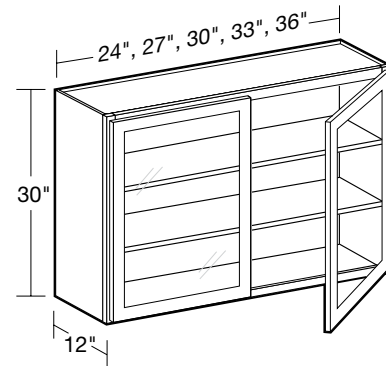


SPECIFY
RIGHT or LEFT HINGED

W0942PFG
W1242PFG
W1542PFG
W1842PFG
W2142PFG

Wall Cabinets with Glass Doors

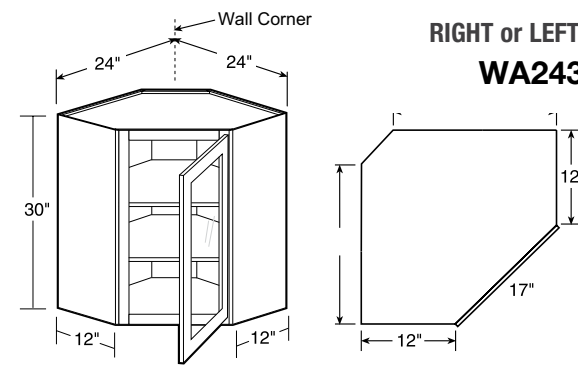
30" High Double Door



W2430PFG
W2730PFG
W3030PFG
W3330PFG
W3630PFG

- Two adjustable shelves, matching cabinet finish
- **CUSTOM DEPTH: 5" to 15" deep**

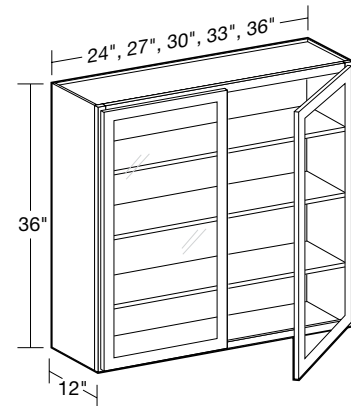
30" High Wall Angle



SPECIFY
 RIGHT or LEFT HINGED
WA2430PFG

- Two adjustable shelves, matching cabinet finish
- Clip corner back provides clearance for installation
- Clip corner back is 1/4" plywood

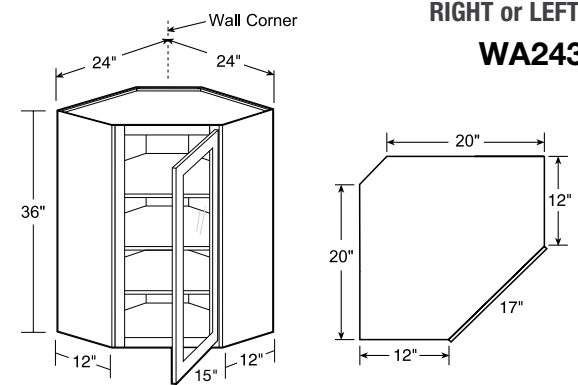
36" High Double Door



W2436PFG
W2736PFG
W3036PFG
W3336PFG
W3636PFG

- Three adjustable shelves, matching cabinet finish
- **CUSTOM DEPTH: 5" to 15" deep**

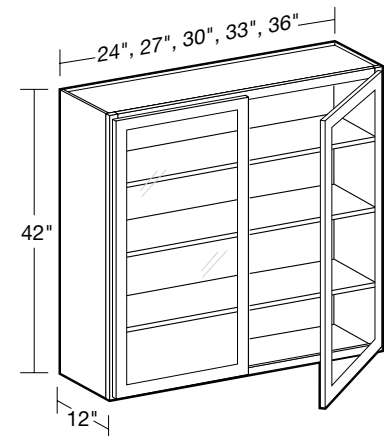
36" High Wall Angle



SPECIFY
 RIGHT or LEFT HINGED
WA2436PFG

- Three adjustable shelves, matching cabinet finish
- Clip corner back provides clearance for installation
- Clip corner back is 1/4" plywood

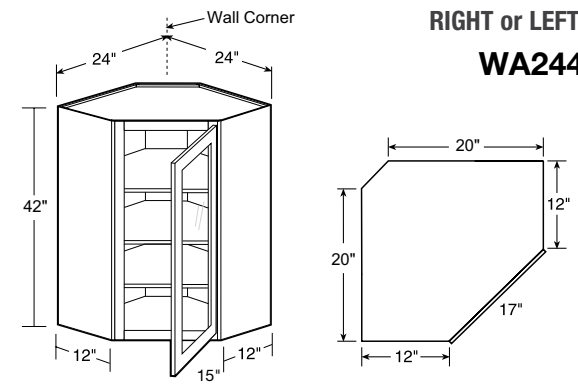
42" High Double Door



W2442PFG
W2742PFG
W3042PFG
W3342PFG
W3642PFG

- Three adjustable shelves, matching cabinet finish
- **CUSTOM DEPTH: 5" to 15" deep**

42" High Wall Angle

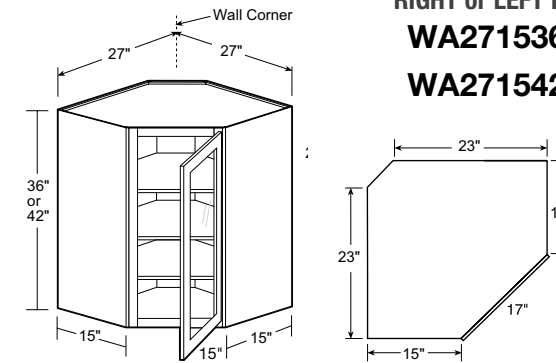


SPECIFY
 RIGHT or LEFT HINGED
WA2442PFG

- Three adjustable shelves, matching cabinet finish
- Clip corner back provides clearance for installation
- Clip corner back is 1/4" plywood

Glass Wall Cabinets with Glass Doors

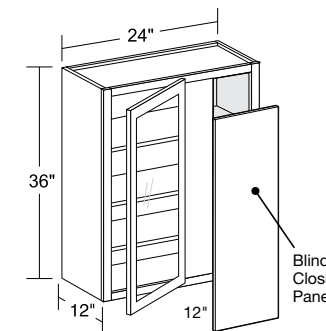
36" and 42" High x 15" Deep Wall Angle



SPECIFY
 RIGHT or LEFT HINGED
WA271536PFG
WA271542PFG

- Three adjustable shelves, matching cabinet finish
- Clip corner back provides clearance for installation
- Clip corner back is 1/4" plywood

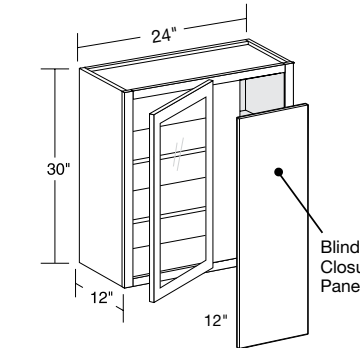
36" High Wall Blind Corner



SPECIFY
 RIGHT or LEFT BLIND
WBCU2736PFG

- Three adjustable shelves, matching cabinet finish
- Indicate R or L for blind side (right shown)
- Cabinet can be pulled for exact fit (see installation guide)
- 3" filler included & 3/16" blind closure panel included - field installed
- Door width is 11 3/4"
- **CUSTOM DEPTH: 5" to 15" deep**

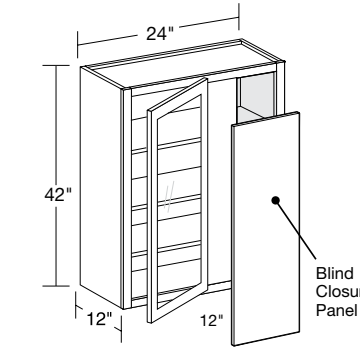
30" High Wall Blind Corner



SPECIFY
 RIGHT or LEFT BLIND
WBCU2730PFG

- Two adjustable shelves, matching cabinet finish
- Indicate R or L for blind side (right shown)
- Cabinet can be pulled for exact fit (see installation guide)
- 3" filler included & 3/16" blind closure panel included - field installed
- Door width is 11 3/4"
- **CUSTOM DEPTH: 5" to 15" deep**

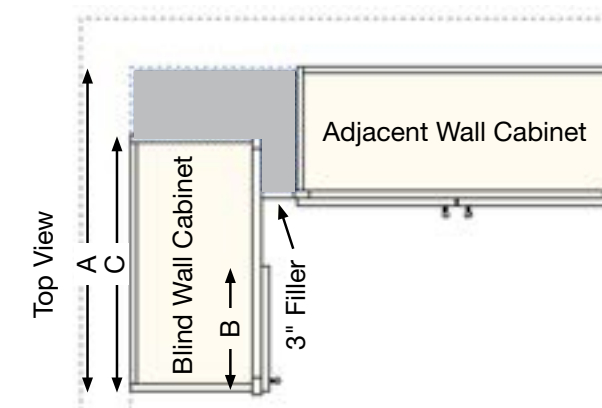
42" High Wall Blind Corner



SPECIFY
 RIGHT or LEFT BLIND
WBCU2742PFG

- Three adjustable shelves, matching cabinet finish
- Indicate R or L for blind side (right shown)
- Cabinet can be pulled for exact fit (see installation chart)
- 3" filler included & 3/16" blind closure panel included - field installed
- Door width is 11 3/4"
- **CUSTOM DEPTH: 5" to 15" deep**

Blind Corner Installation Guide



BLIND WALL INSTALLATION GUIDE			
Cabinet	Wall Space "A"	Frame Opening	Cabinet
	Min - Max	Width "B"	Width "C"
WBCU2730	25" - 30"	8 7/8"	24"
WBCU2736	25" - 30"	8 7/8"	24"
WBCU2742	25" - 30"	8 7/8"	24"



PLAY
 2020 TIP

*Gray area represents empty space. Cabinet is designed to be pulled for exact space.

Wall Cabinets with No Doors

WALL CABINET CODING

STANDARD (12" DEEP)

W 30 30

Cabinet Code Cabinet Width Cabinet Height

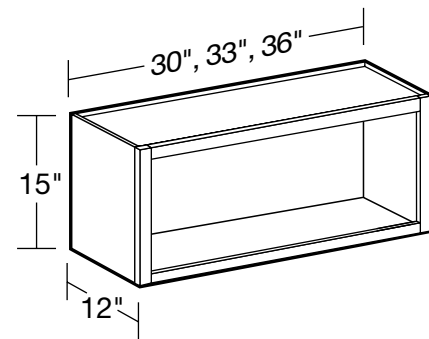
REFRIGERATOR (24" DEEP)

W 36 24 18

Cabinet Code Cabinet Width Cabinet Depth Cabinet Height

- Standard wall cabinets are 12" deep. Refrigerator wall cabinets are 24" deep.
- Matching interiors are standard in wall cabinets with no door
- Products are available in all door styles unless stated otherwise
- Standard cabinet exterior sides are color matched to face frame
- No Doors
- Shelf adjustment holes on the interior sides and back of cabinets will be visible

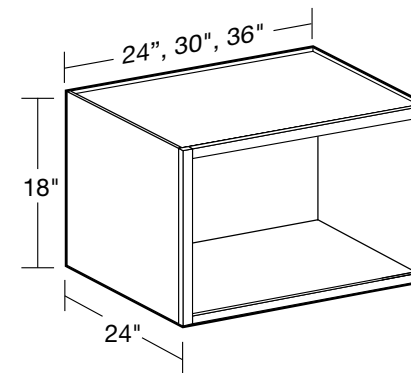
15" High No Door



W3015ND
W3315ND
W3615ND

- No adjustable shelf
- CUSTOM DEPTH: 5" to 15" deep

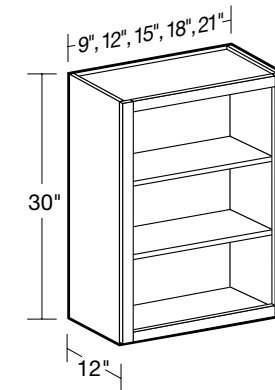
18" High x 24" Deep No Door



W242418ND
W302418ND
W362418ND

- No adjustable shelf
- Must be supported from back and both sides
- CUSTOM DEPTH: 16" to 23" deep

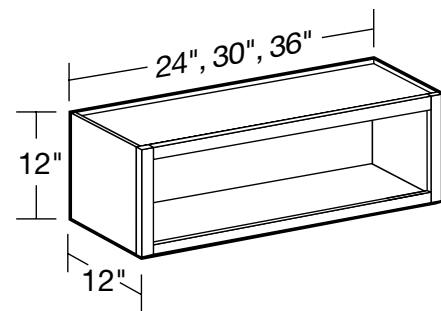
30" High No Door



W0930ND
W1230ND
W1530ND
W1830ND
W2130ND

- Two adjustable shelves, matching cabinet finish
- CUSTOM DEPTH: 5" to 15" deep

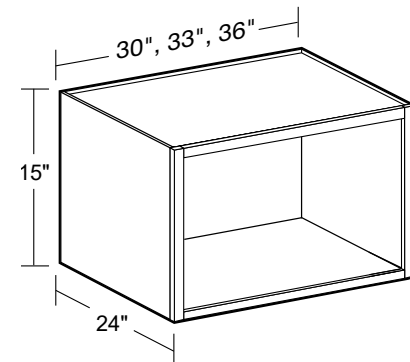
12" High No Door



W2412ND
W3012ND
W3612ND

- No adjustable shelf
- CUSTOM DEPTH: 5" to 15" deep

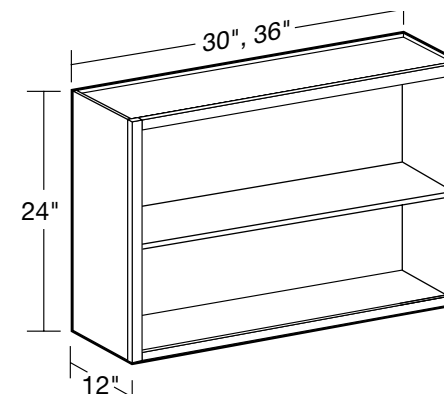
15" High x 24" Deep No Door



W302415ND
W332415ND
W362415ND

- No adjustable shelf
- Must be supported from back and both sides
- CUSTOM DEPTH: 16" to 23" deep

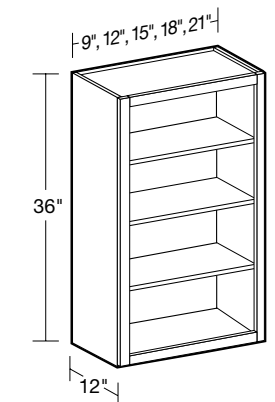
24" High No Door



W3024ND
W3624ND

- One adjustable shelf, matching cabinet finish
- CUSTOM DEPTH: 5" to 15" deep

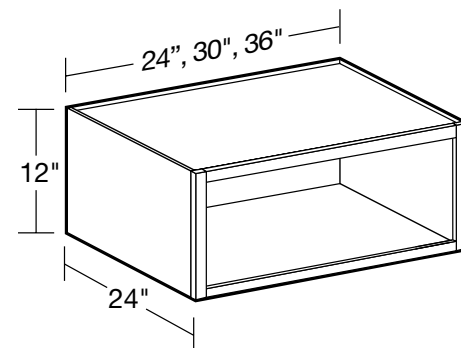
36" High No Door



W0936ND
W1236ND
W1536ND
W1836ND
W2136ND

- Three adjustable shelves, matching cabinet finish
- CUSTOM DEPTH: 5" to 15" deep

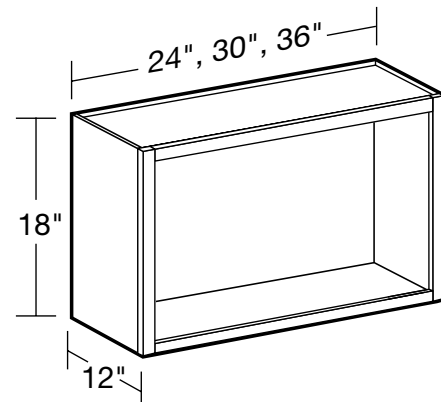
12" High x 24" Deep No Door



W242412ND
W302412ND
W362412ND

- No adjustable shelf
- Must be supported from back and both sides
- CUSTOM DEPTH: 16" to 23" deep

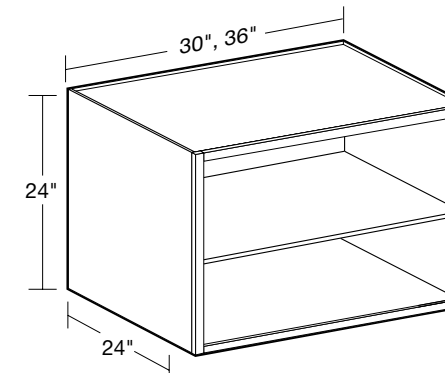
18" High No Door



W2418ND
W3018ND
W3618ND

- No adjustable shelf
- CUSTOM DEPTH: 5" to 15" deep

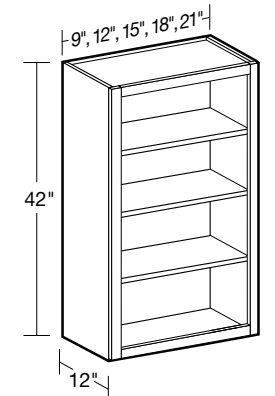
24" High x 24" Deep No Door



W302424ND
W362424ND

- One adjustable shelf, matching cabinet finish
- Must be supported from back and both sides
- CUSTOM DEPTH: 16" to 23" deep

42" High No Door

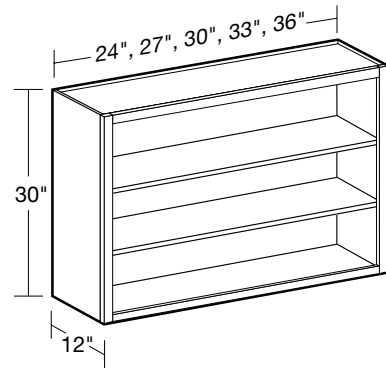


W0942ND
W1242ND
W1542ND
W1842ND
W2142ND

- Three adjustable shelves, matching cabinet finish
- CUSTOM DEPTH: 5" to 15" deep

Wall Cabinets with No Doors

30" High No Door

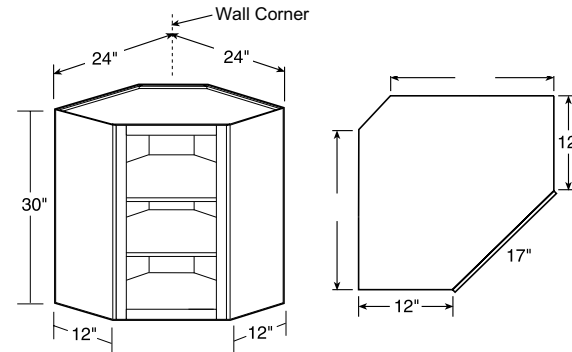


W2430ND
W2730ND
W3030ND
W3330ND
W3630ND

- Two adjustable shelves, matching cabinet finish
- **CUSTOM DEPTH: 5" to 15" deep**

30" High Wall Angle

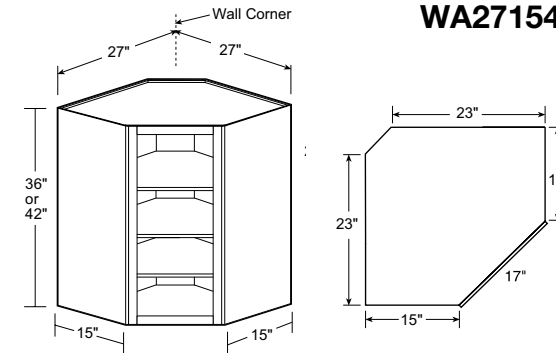
WA2430ND



- Two adjustable shelves, matching cabinet finish
- Clip corner back provides clearance for installation
- Clip corner back is 1/4" plywood

36" and 42" High x 15" Deep Wall Angle

WA271536ND
WA271542ND

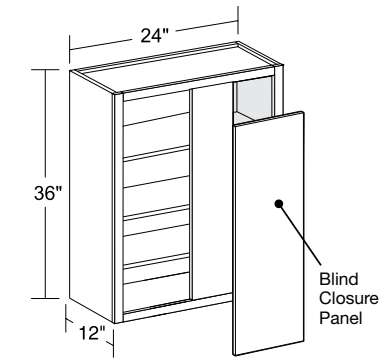


- Three adjustable shelves, matching cabinet finish
- Clip corner back provides clearance for installation
- Clip corner back is 1/4" plywood

36" High Wall Blind Corner

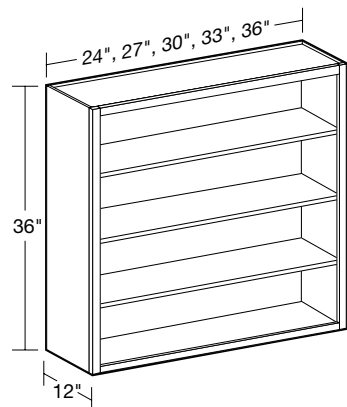


SPECIFY
RIGHT or LEFT BLIND
WBCU2736ND



- Three adjustable shelves, matching cabinet finish
- Indicate R or L for blind side (right shown)
- Cabinet can be pulled for exact fit (see installation guide)
- 3" filler & 3/16" blind closure panel included - field installed
- **CUSTOM DEPTH: 5" to 15" deep**

36" High No Door

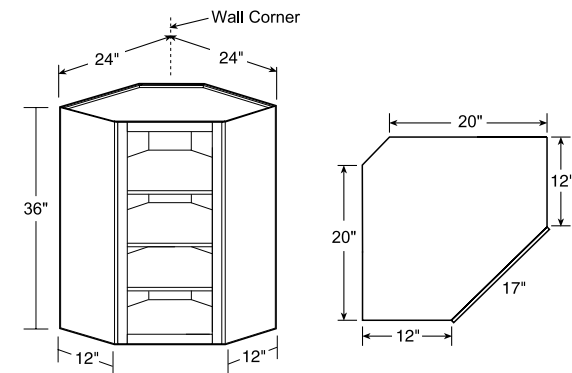


W2436ND
W2736ND
W3036ND
W3336ND
W3636ND

- Three adjustable shelves, matching cabinet finish
- **CUSTOM DEPTH: 5" to 15" deep**

36" High Wall Angle

WA2436ND

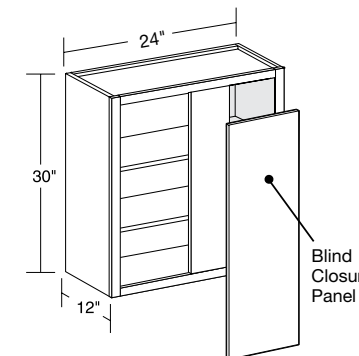


- Three adjustable shelves, matching cabinet finish
- Clip corner back provides clearance for installation
- Clip corner back is 1/4" plywood

30" High Wall Blind Corner



SPECIFY
RIGHT or LEFT BLIND
WBCU2730ND

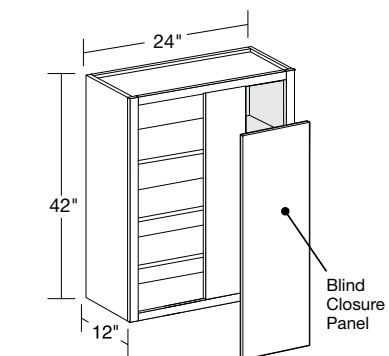


- Two adjustable shelves, matching cabinet finish
- Indicate R or L for blind side (right shown)
- Cabinet can be pulled for exact fit (see installation guide)
- 3" filler & 3/16" blind closure panel included - field installed
- **CUSTOM DEPTH: 5" to 15" deep**

42" High Wall Blind Corner

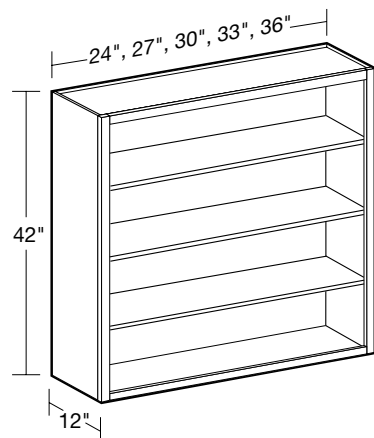


SPECIFY
RIGHT or LEFT BLIND
WBCU2742ND



- Three adjustable shelves, matching cabinet finish
- Indicate R or L for blind side (right shown)
- Cabinet can be pulled for exact fit (see installation chart)
- 3" filler & 3/16" blind closure panel included - field installed
- **CUSTOM DEPTH: 5" to 15" deep**

42" High No Door

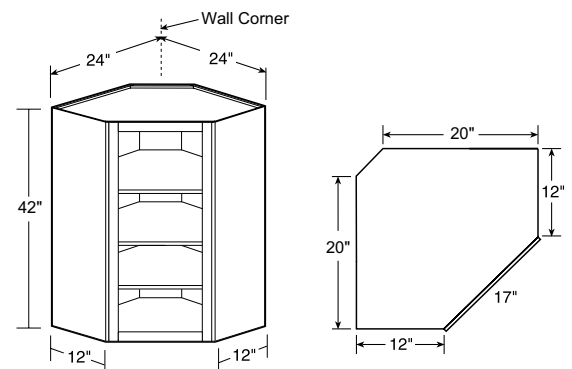


W2442ND
W2742ND
W3042ND
W3342ND
W3642ND

- Three adjustable shelves, matching cabinet finish
- **CUSTOM DEPTH: 5" to 15" deep**

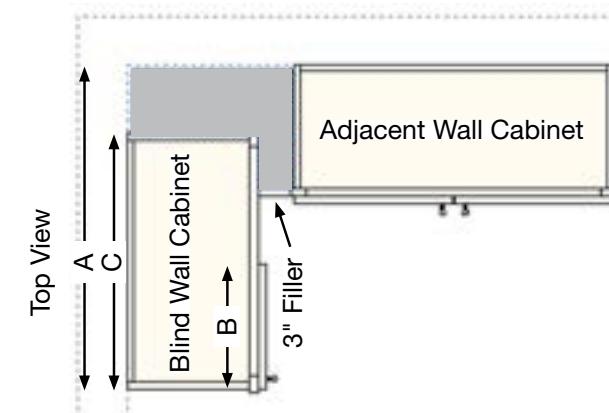
42" High Wall Angle

WA2442ND



- Three adjustable shelves, matching cabinet finish
- Clip corner back provides clearance for installation
- Clip corner back is 1/4" plywood

Blind Corner Installation Guide



BLIND WALL INSTALLATION GUIDE			
Cabinet	Wall Space "A"	Frame Opening	Cabinet
	Min - Max	Width "B"	Width "C"
WBCU2730	25" - 30"	8 ⁷ / ₈ "	24"
WBCU2736	25" - 30"	8 ⁷ / ₈ "	24"
WBCU2742	25" - 30"	8 ⁷ / ₈ "	24"



PLAY

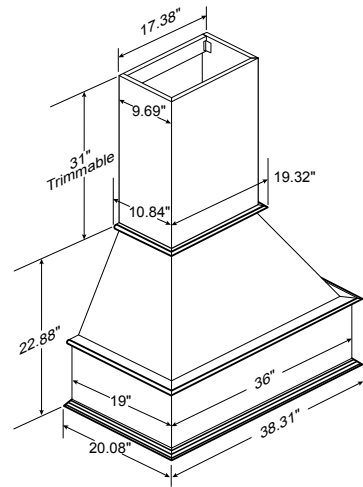
2020 TIP

*Gray area represents empty space. Cabinet is designed to be pulled for exact space.

Wall Cabinets

Range Hood Combo - Straight Valance

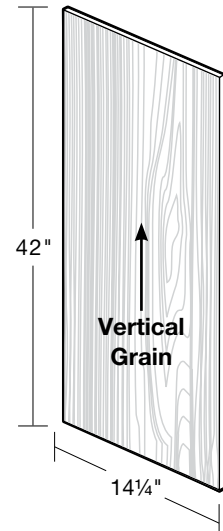
WRHC36S



- Available 36" width
- Includes Hood, Chimney, Hood Liner and Blower
- Chimney is trimmable to adjust the height
- Blower is 390 CFM, 6.0 sones, enclosed light
- Clearance of 3" on each side is recommended

15" Wide Wall Skin

WSK1542



- 1/8" thick plywood finished with laminate color matched to cabinetry face frame
- Field modified and installed
- Can be modified for shallower depth and shorter wall cabinets

Placing wall cabinets next to a return wall



When placing cabinets against a side wall, use a minimum of 3/4" filler between wall and cabinet to allow doors to open

Staggering Upper Cabinets



When using the WA271536/42 corner cabinets, make sure to place a 3/4" filler next to adjacent cabinet if the adjacent cabinet is shallower.

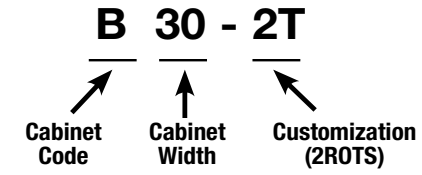
Using the Wall Cabinet with accessories



Make sure to allow proper clearance on each side so doors can open 90 degrees or more. This will allow the interior accessory to pull down correctly.

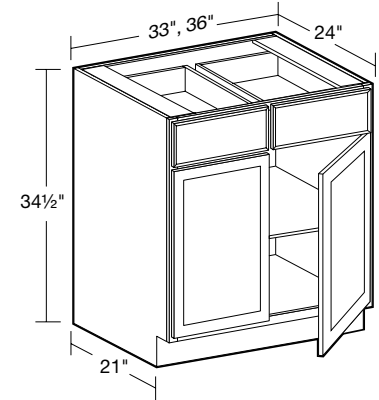
Base Cabinets

BASE CABINET CODING



- Standard Base Cabinets are 24" deep and 34 1/2" high
- Desk Height base cabinets are 21" deep and 28 1/2" high
- Cabinet depth does not include door thickness
- Products are available in all door styles unless stated otherwise
- Standard cabinet exterior sides are color matched to face frame
- Base cabinets are shipped with an unfinished toekick. Finished toekicks must be ordered separately and field installed.
- Soft close hinges & full extension drawers with soft close unless otherwise stated.

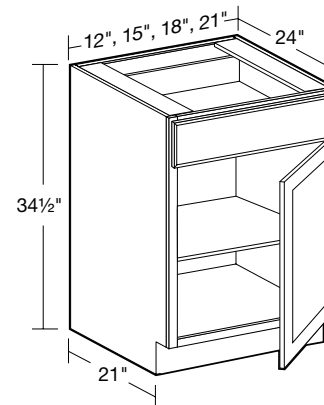
24" Deep Double Door



B33
B36

- One full-depth adjustable shelf
- **CUSTOM DEPTH: 9" to 23" deep (9" to 14" deep options have false front & no drawer)**

24" Deep Single Door



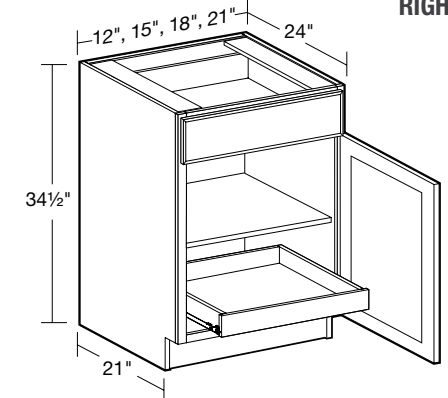
SPECIFY
RIGHT or LEFT HINGED

B12
B15
B18
B21

- One full-depth adjustable shelf
- **CUSTOM DEPTH: 9" to 23" deep (9" to 14" deep options have false front & no drawer)**

24" Deep Single Door with 1 Roll-Out Tray

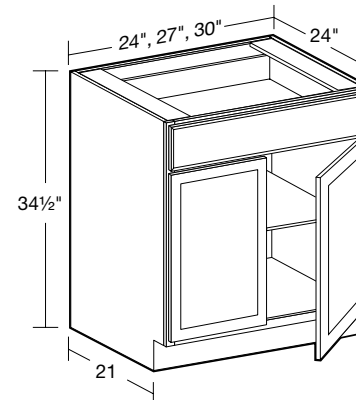
SPECIFY
RIGHT or LEFT HINGED



B12-1T
B15-1T
B18-1T
B21-1T

- One full-depth adjustable shelf
 - One full width roll-out tray
- NOTE: Roll-out trays are not full extension, soft close or adjustable**

24" Deep Double Door

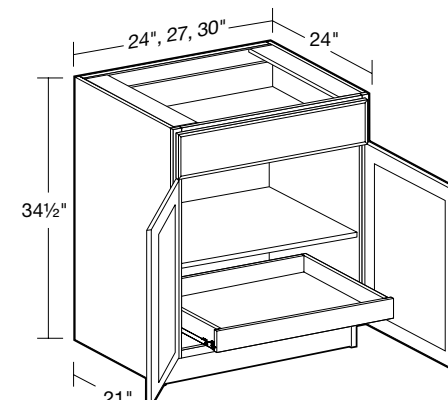


B24
B27
B30

- One full-depth adjustable shelf
- **CUSTOM DEPTH: 9" to 23" deep (9" to 14" deep options have false front & no drawer)**

24" Deep Double Door with 1 Roll-Out Tray

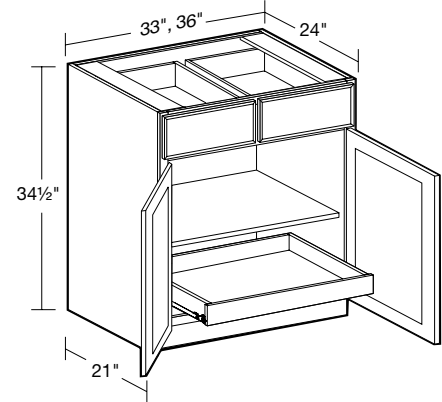
B24-1T
B27-1T
B30-1T



- One full-depth adjustable shelf
 - One full width roll-out tray
- NOTE: Roll-out trays are not full extension, soft close or adjustable**

Base Cabinets

24" Deep Double Door with 1 Roll-Out Tray



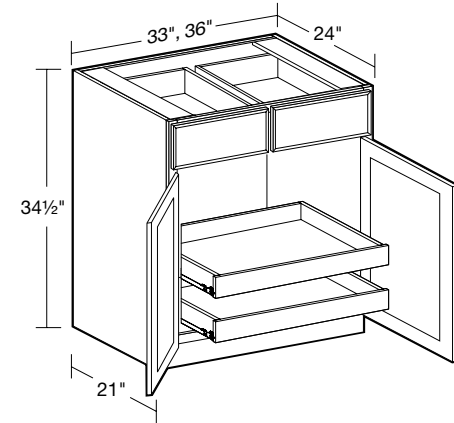
B33-1T
B36-1T



PLAY
DESIGN TIP

- One full-depth adjustable shelf
 - One full width roll-out tray
- NOTE:** Roll-out trays are not full extension, soft close or adjustable

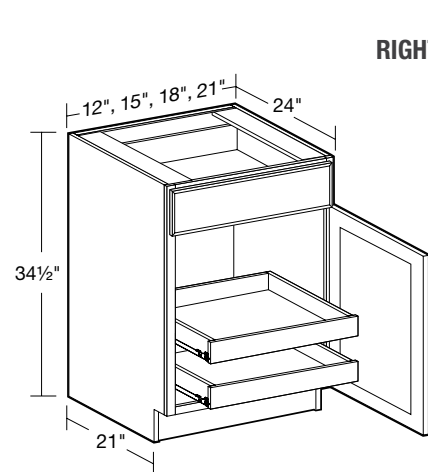
24" Deep Double Door with 2 Roll-Out Trays



B33-2T
B36-2T

- Two full-depth roll-out trays
- NOTE:** Roll-out trays are not full extension, soft close or adjustable

24" Deep Single Door with 2 Roll-Out Trays

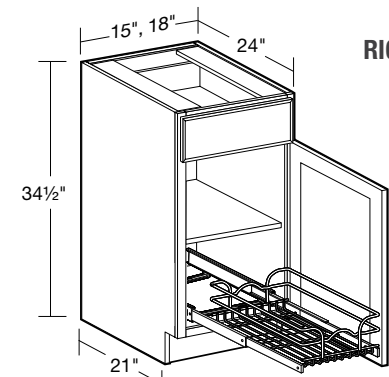


SPECIFY
RIGHT or LEFT HINGED

B12-2T
B15-2T
B18-2T
B21-2T

- Two full width roll-out trays
- NOTE:** Roll-out trays are not full extension, soft close or adjustable

24" Deep Single Door with 1 Chrome Roll-Out Tray

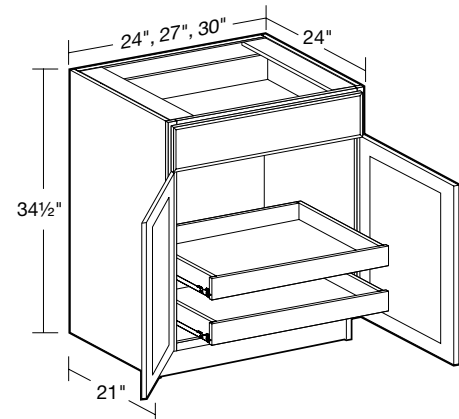


SPECIFY
RIGHT or LEFT HINGED

B15-1WT
B18-1WT

- **FIELD INSTALLED**
- One full width chrome wire roll-out tray
- 100 lb rated full-extension, ball bearing slides (not soft close)
- Floor mounting, not adjustable
- One full depth adjustable shelf

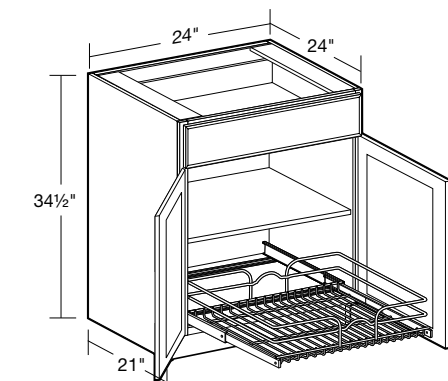
24" Deep Double Door with 2 Roll-Out Trays



B24-2T
B27-2T
B30-2T

- Two full width roll-out trays
- NOTE:** Roll-out trays are not full extension, soft close or adjustable

24" Deep Double Door with 1 Chrome Roll-Out Tray

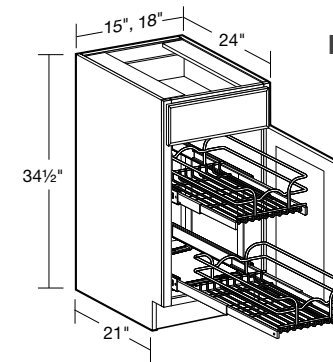


B24-1WT

- **FIELD INSTALLED**
- One full width chrome wire roll-out tray
- 100 lb rated full-extension, ball bearing slides (not soft close)
- Floor mounting, not adjustable
- One full depth adjustable shelf

Base Cabinets

24" Deep Single Door with 2 Chrome Roll-Out Trays

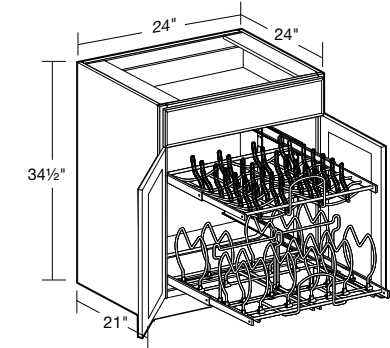


SPECIFY
RIGHT or LEFT HINGED

B15-2WT
B18-2WT

- **FIELD INSTALLED**
- Two full width chrome wire roll-out trays
- Features 100lb rated full-extension, ball bearing slides (not soft close)
- (3) adjustable heights
- Floor, side, and rear mounted

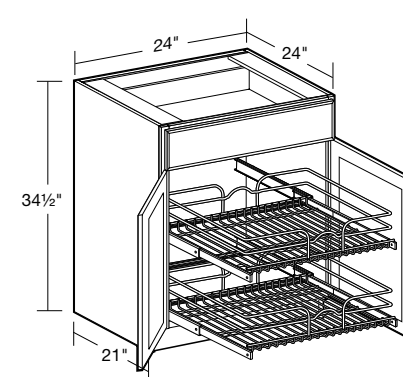
24" Deep Double Door with 2-Tier Cookware Organizer



B24-CWO

- **FIELD INSTALLED**
- Two chrome wire tiers operate independently
- Adjustable dividers on bottom tier accommodate different size pots and pans
- Floor, side, and rear mounted
- 100lb rated full-extension soft close ball-bearing slides

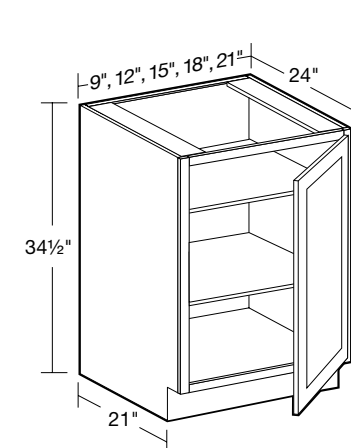
24" Deep Double Door with 2 Chrome Roll-Out Trays



B24-2WT

- **FIELD INSTALLED**
- Two full width chrome wire roll-out trays
- Features 100lb rated full-extension, ball bearing slides (not soft close)
- (3) adjustable heights
- Floor, side, and rear mounted

24" Deep Single Full Height Door

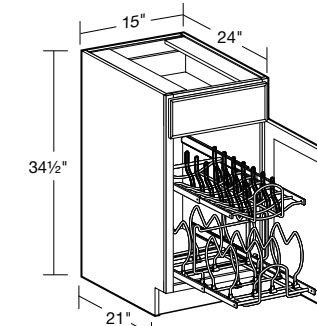


SPECIFY
RIGHT or LEFT HINGED

B09FH
B12FH
B15FH
B18FH
B21FH

- Two full-depth adjustable shelves
- **9" Wide G-Door styles will not feature a raised center panel**
- **CUSTOM DEPTH: 9" to 23" deep**

24" Deep Single Door with 2-Tier Cookware Organizer

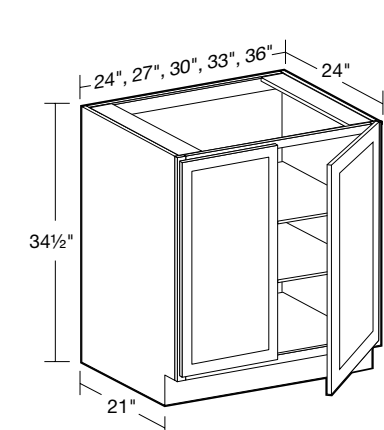


SPECIFY
RIGHT or LEFT HINGED

B15-CWO

- **FIELD INSTALLED**
- Two chrome wire tiers operate independently
- Adjustable dividers on bottom tier accommodate different size pots and pans
- Floor, side, and rear mounted
- 100lb rated full-extension soft close ball-bearing slides

24" Deep Double Full Height Door

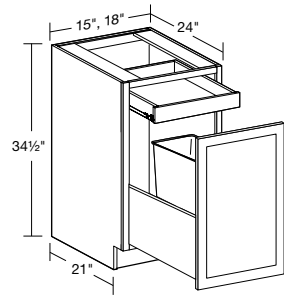


B24FH
B27FH
B30FH
B33FH
B36FH

- Two full-depth adjustable shelves
- **CUSTOM DEPTH: 9" to 23" deep**

Base Cabinets

24" Deep DELUXE Single 35 qt. Waste Basket Pullout



B1DWB15
B1DWB18



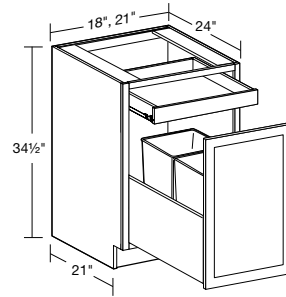
PLAY

DESIGN TIP

- Basket is removable
- Basket slides on heavy duty, full extension, Soft Close runners

- 35 quart white plastic basket sits in a dovetailed plywood drawer box
- Basket dimensions: 14"W x 10"D x 18"H
- Rollout tray not adjustable, removable or soft close
- Top mount roll-out tray for trash bag storage
- **SOFT CLOSE INCLUDED!**

24" Deep DELUXE Double 35 qt. Waste Basket Pullout



B2DWB18
B2DWB21



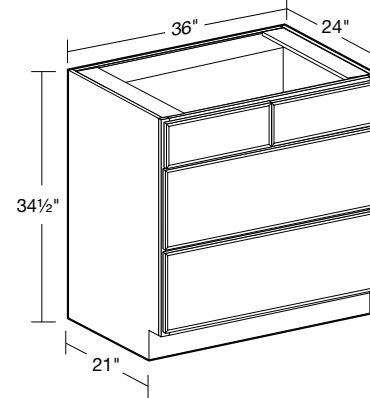
PLAY

DESIGN TIP

- Basket is removable
- Baskets slide on heavy duty, full extension, Soft Close runners

- Two 35 quart white plastic baskets sit in a dovetailed plywood drawer box
- Basket dimensions: 14"W x 10"D x 18"H
- Rollout tray not adjustable, removable or soft close
- Top mount roll-out tray for trash bag storage
- **SOFT CLOSE INCLUDED!**

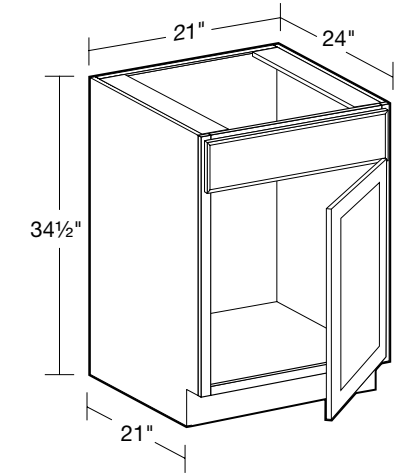
24" Deep Base Cooktop - Double False Front



BCT36

- False top drawer fronts
- Two deep drawers
- Accepts drop-in cooktop

21" Deep Single Door Sink Base

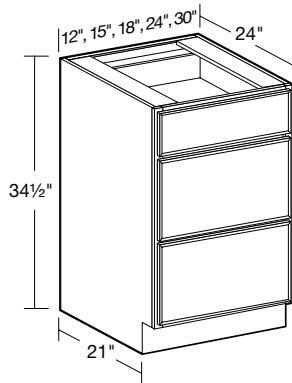


SPECIFY
RIGHT or LEFT HINGED
SB21



- Maximum sink cutout 19" wide
- No shelf
- False drawer front

24" Deep Base - 3 Drawers

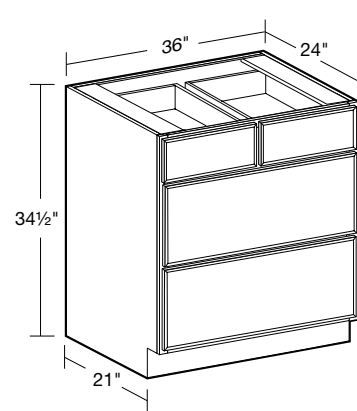


BD12*
BD15
BD18
BD24
BD30

- One standard top drawer
- Two deep drawers
- **CUSTOM DEPTH: 15" to 23" deep**

* Maximum drawer handle width is 4" wide for raised panel styles, 5 1/2" wide for recessed panel styles.

24" Deep Base - 4 Drawers



BD36

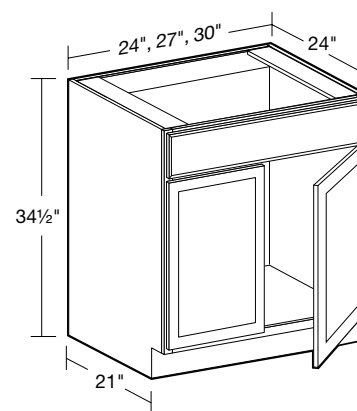


PLAY

DESIGN TIP

- Two standard top drawers
- Two deep drawers
- **CUSTOM DEPTH: 15" to 23" deep**

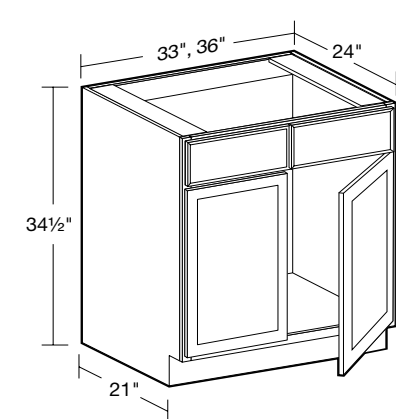
24" Deep Sink Base



SB24
SB27
SB30

- No shelf, false drawer front
- May also be used as drop-in cooktop base
- **CUSTOM DEPTH: 9" to 23" deep**

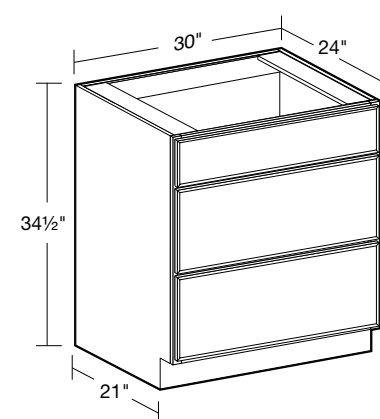
24" Deep Sink Base



SB33
SB36

- No shelf, two false drawer fronts
- May also be used as drop-in cooktop base
- **CUSTOM DEPTH: 9" to 23" deep**

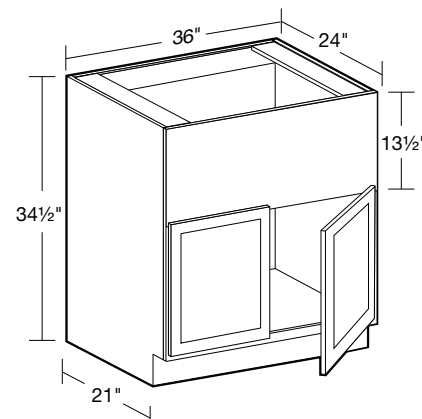
24" Deep Base Cooktop - Single False Front



BCT30

- False top drawer front
- Two deep drawers
- Accepts drop-in cooktop

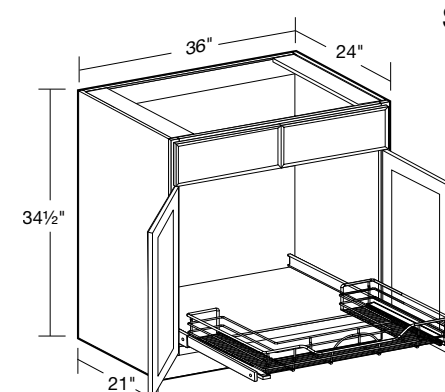
24" Deep Farm Sink Base



FSB36

- Front rail is field modified to fit sink
- No shelf
- **CUSTOM DEPTH: 9" to 23" deep**

24" Deep Sink Base with 1 Chrome Roll-out Tray



SB36-1USWP

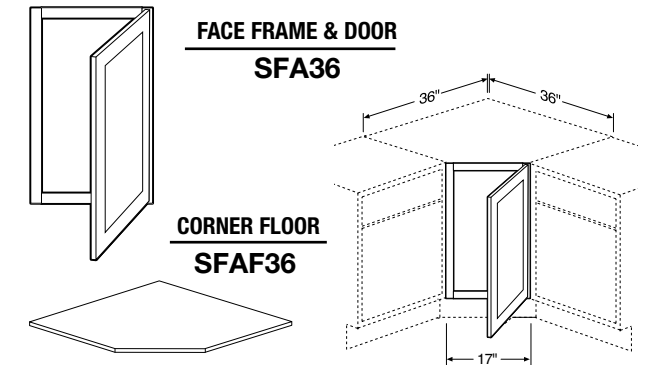


PLAY

DESIGN TIP

- No Shelf, two false drawer fronts
- One full width U-shaped chrome wire roll-out tray (not soft close)
- Designed to fit around sink plumbing

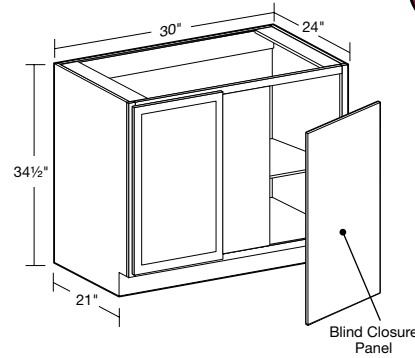
Sink Front Angle



- Angle sink front must be installed between two cabinets
- Frame/door can be installed with hinges on right or left
- Floor support and toe base must be field constructed
- Maximum sink width for this application 25 3/4"

Base Cabinets

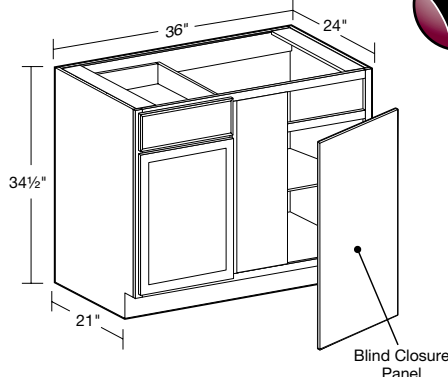
24" Deep Blind Base Corner



SPECIFY
RIGHT or
LEFT BLIND
BBCU39

- Indicate R or L for blind side (right shown)
- Cabinet can be pulled for exact fit (see installation chart)
- 3" filler & 3/16" blind closure panel included - field installed
- Door width is 11-3/4"
- **CUSTOM DEPTH: 9" to 23" deep**

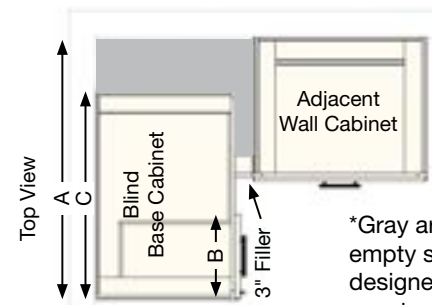
24" Deep Blind Base Corner



SPECIFY
RIGHT or
LEFT BLIND
BBCU42

- Indicate R or L for blind side (right shown)
- Cabinet can be pulled for exact fit (see installation chart)
- 3" filler & 3/16" blind closure panel included - field installed
- Door width is 14-3/4"
- **CUSTOM DEPTH: 9" to 23" deep (9" to 14" deep options have false front & no drawer)**

Blind Base Corner Installation

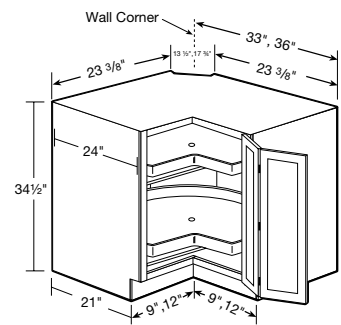


2020 TIP

*Gray area represents empty space. Cabinet is designed to be pulled for exact space.

BLIND BASE INSTALLATION GUIDE			
Cabinet	Wall Space "A"		Cabinet
	Min	Max	
BBCU39	39"	42"	8 7/8"
BBCU42	42"	45"	12"

33" and 36" Easy Reach Super Suzan



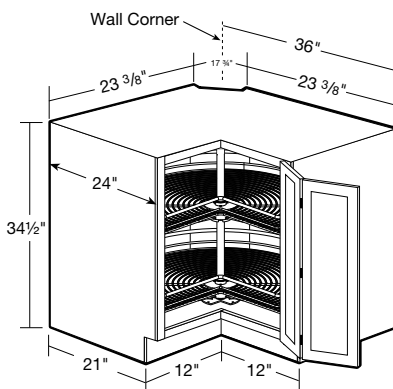
SPECIFY
RIGHT or LEFT HINGED
EZR33SS
EZR36SS



DESIGN TIP

- Two 26" or 28" diameter, pie-cut independently revolving all wood shelves
- Doors open 170 degrees for easy access
- Clip corner is 1/4" plywood
- 33" wide cabinet doors will not feature a raised center panel
- **SOFT CLOSE DOOR (SCD) OPTION NOT AVAILABLE**

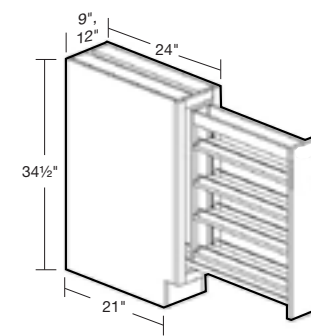
36" Easy Reach Chrome Susan



SPECIFY
RIGHT or LEFT HINGED
EZR36-2WLS

- **CHROME SUSAN FIELD INSTALLED**
- Doors open 170 degrees for easy access
- Clip corner is 1/4" plywood
- **SOFT CLOSE DOOR (SCD) OPTION NOT AVAILABLE**

24" Deep Base Pantry Pullout



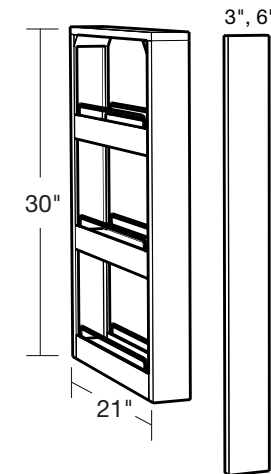
BPPO9
BPPO12



DESIGN TIP

- Available in 9" & 12" width cabinets
- Full extension ball bearing slides provide stable, smooth pullout function
- Adjustable shelves with chrome rails
- **9" Wide G-Door styles will not feature a raised center panel**

24" Deep Filler Pantry Pullout

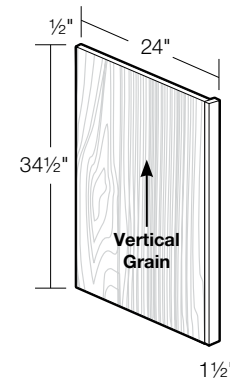


BFPO3
BFPO6

- Available in 3" & 6" widths with matching Filler Strip
- Full extension ball bearing slides provide stable, smooth pullout function
- Adjustable shelves with chrome rails
- Pull-out unit must be installed between two cabinets or cabinet and wall*
- Top and bottom of filler unfinished
- Filler strip attached to pull-out unit after installation

*See page 30 for tip when installing between a cabinet and a wall

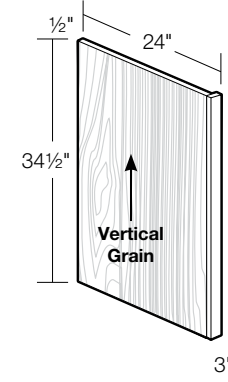
24" Deep End Panel with 1 1/2" wide Filler



BP1.5

- 1 1/2" wide filler included
- Solid wood filler for stained finishes/MDF for painted and vinyl wrapped finishes
- Panel and filler supplied loose for field assembly
- Reversible, may be installed left or right
- 1/2" thick plywood panel finished with laminate color matched to cabinetry face frame
- Top and bottom of filler unfinished
- Filler can be trimmed down by 5/8" on jobsite

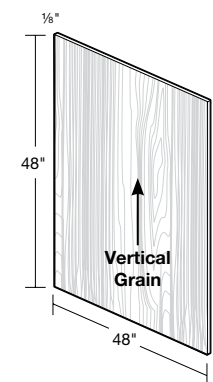
24" Deep End Panel with 3" wide Filler



BP3

- 3" wide filler included
- Solid wood filler for stained finishes/MDF for painted and vinyl wrapped finishes
- Panel and filler supplied loose for field assembly
- Reversible, may be installed left or right
- 1/2" thick plywood panel finished with laminate color matched to cabinetry face frame
- Top and bottom of filler unfinished
- Filler can be trimmed down by 5/8" on jobsite

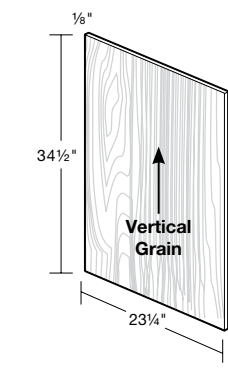
Island Skin



ISK4848

- 1/8" thick plywood finished with laminate color matched to cabinetry face frame
- Field modified and installed
- Top and bottom of filler unfinished

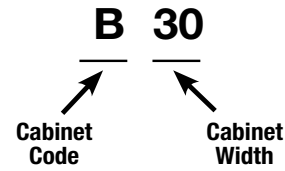
Base Skin



BSK345

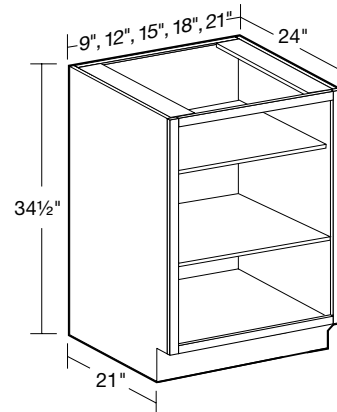
- 1/8" thick plywood finished with laminate color matched to cabinetry face frame
- Field modified and installed
- Can be field modified for shallower depth cabinets
- Finish matches cabinetry face frame
- Top and bottom of filler unfinished

BASE CABINET CODING



- Standard Base Cabinets are 24" deep and 34½" high
- Matching interiors are standard in base cabinets with no doors
- Standard cabinet exterior sides are color matched to face frame
- Base cabinets are shipped with an unfinished toekick. Finished toekicks (MTK8) must be ordered separately and field installed.
- Shelf adjustment holes on the interior sides and back of cabinets will be visible**

24" Deep Single Full Height No Door



CUSTOM DEPTH

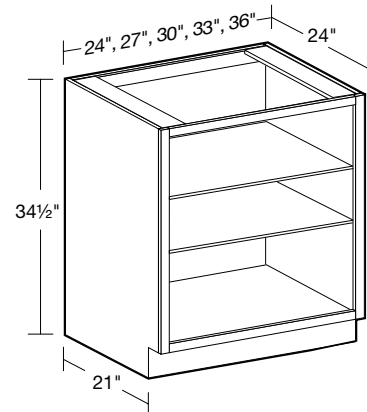
- B09ND
- B12ND
- B15ND
- B18ND
- B21ND

- Two full-depth adjustable shelves
- **CUSTOM DEPTH: 9" to 23" deep**

24" Deep Double Full Height No Door



CUSTOM DEPTH



- B24ND
- B27ND
- B30ND
- B33ND
- B36ND

- Two full-depth adjustable shelves
- **CUSTOM DEPTH: 9" to 23" deep**

Using ND Base Cabinets



Customize the depth of B24ND down to 12" you can use it on the end of a cabinet run for an interesting transition in the kitchen. This option is shown with a MWE30 on the exposed side of the ND (no door) cabinet to mimic a finished door.

Using ND Base Cabinets



Use only one adjustable shelf in a B24ND or wider in your laundry room to allow space to store laundry baskets.

Base Filler Pull outs



If placing next to a wall - Must use BP1.5 or BP3 between wall and pull out.

Designing Around a Range



Make sure to give landing space on each side of a cooking appliance when placing in design.

Clearance for Roll Out Trays



Be sure to leave enough clearance for doors to open at least 90 degrees. This will allow the roll out trays to be operated correctly.

Blind Cabinets with Drawers



When placing a blind base cabinet, cabinet with drawer or trash pull out, make sure to allow enough clearance so drawer/pull out will open fully.

Make sure to leave enough space to allow drawer to open if placing around corner from range or appliance.

Using a Sink Front Angle



For sufficient dishwasher door clearance and loading/unloading space, a 15" wide base cabinet is recommended for use between a corner sink base and dishwasher.

Built-in Microwave Base Modification

This assembly requires a drawer base, either 24" or 30" wide - depending on the size of the built in microwave you purchase separately.

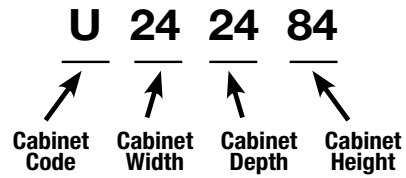
Assembly requires the onsite removal of the top two drawers from the cabinet. Consult the manufacturer specifications for cut out dimensions, as additional modification may be required.



Depending on the cut out dimensions the use of a filler (FS30), to fill the gap between the bottom of the microwave and the drawer. Consult the manufacturer specifications for proper support and possible use of a trim kit*.

*Trim kit and microwave will be purchased independently from supplier of your choice.

TALL CABINET CODING



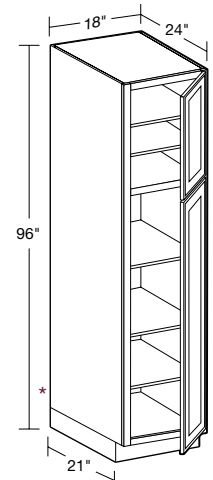
- Standard Tall Cabinets are 24" deep
- Products are available in all door styles unless stated otherwise
- Standard cabinet exterior sides are color matched to face frame
- Soft close hinges unless stated otherwise

24" Deep Two Door Utility



SPECIFY
RIGHT or LEFT HINGED

U182496



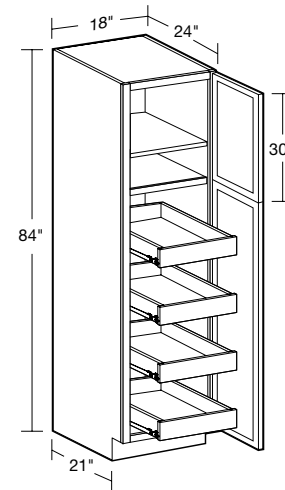
- One fixed shelf dividing upper and lower doors, five adjustable shelves
- Optional rollout trays or additional shelves available
- TSK96 is recommended if the cabinet will be on the end of a run
- * Loose toe kick box for ease of installation
- **CUSTOM DEPTH: 9" to 23" deep**

NOTE: Loose toe kick box will have a finished side, but will have a seam at bottom

24" Deep Two Door Utility with Four Rollout Trays

SPECIFY
RIGHT or LEFT HINGED

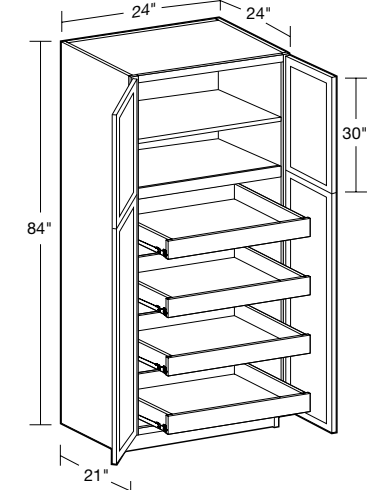
U182484-4T



- One fixed shelf dividing upper and lower doors
- Four repositionable, full width rollout trays
- One adjustable shelf
- Roll out trays are not full extension or soft close

24" Deep Four Butt Door Utility with Four Rollout Trays

U242484-4T



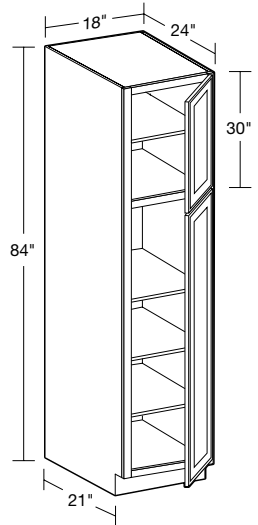
- One fixed shelf dividing upper and lower doors
- Four repositionable, full width rollout trays
- One adjustable shelf
- Roll out trays are not full extension or soft close

24" Deep Two Door Utility



SPECIFY
RIGHT or LEFT HINGED

U182484

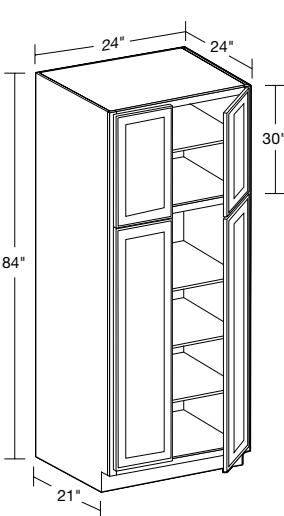


- One fixed shelf dividing upper and lower doors, four adjustable shelves
- Optional rollout trays or additional shelves available
- **CUSTOM DEPTH: 9" to 23" deep**

24" Deep Four Butt Door Utility



U242484

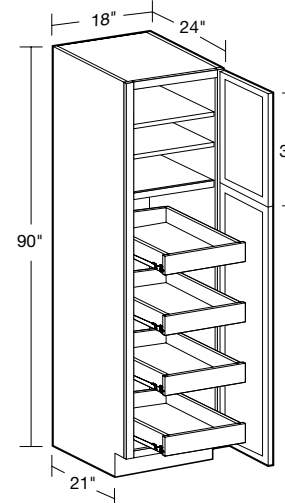


- One fixed shelf dividing upper and lower doors, four adjustable shelves
- Optional rollout trays or additional shelves available
- **CUSTOM DEPTH: 9" to 23" deep**

24" Deep Two Door Utility with Four Rollout Trays

SPECIFY
RIGHT or LEFT HINGED

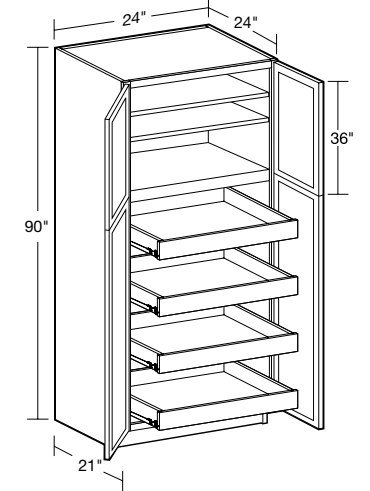
U182490-4T



- One fixed shelf dividing upper and lower doors
- Four repositionable, full width rollout trays
- Two adjustable shelves
- Roll out trays are not full extension or soft close

24" Deep Four Butt Door Utility with Four Rollout Trays

U242490-4T



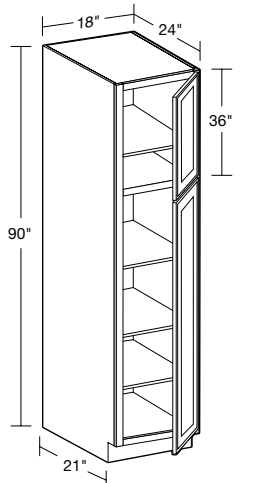
- One fixed shelf dividing upper and lower doors
- Four repositionable, full width rollout trays
- Two adjustable shelves
- Roll out trays are not full extension or soft close

24" Deep Two Door Utility



SPECIFY
RIGHT or LEFT HINGED

U182490

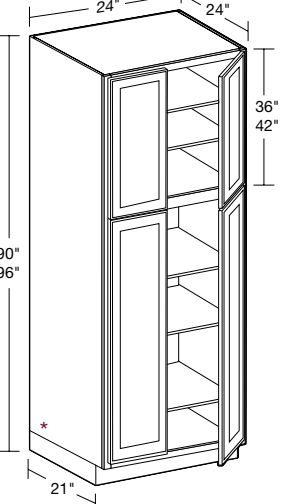


- One fixed shelf dividing upper and lower doors, four adjustable shelves
- Optional rollout trays or additional shelves available
- **CUSTOM DEPTH: 9" to 23" deep**

24" Deep Four Butt Door Utility



U242490
U242496



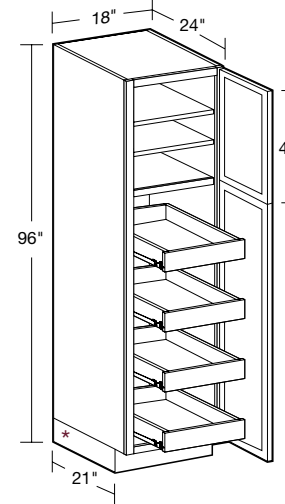
- One fixed shelf dividing upper and lower doors, five adjustable shelves
- Optional rollout trays or additional shelves available
- TSK96 is recommended if the cabinet will be on the end of a run
- * On 96", loose toe kick box for ease of installation
- **CUSTOM DEPTH: 9" to 23" deep**

NOTE: Loose toe kick box will have a finished side, but will have a seam at bottom

24" Deep Two Door Utility with Four Rollout Trays

SPECIFY
RIGHT or LEFT HINGED

U182496-4T

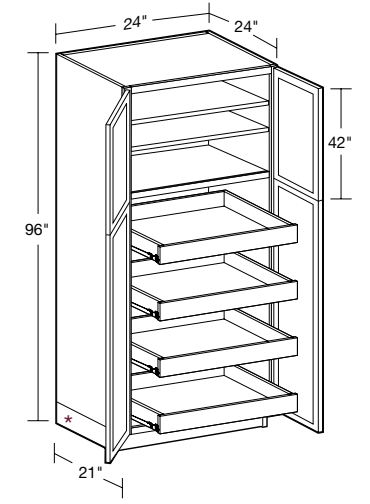


- One fixed shelf dividing upper and lower doors
- Four repositionable, full width rollout trays
- Two adjustable shelves
- TSK96 is recommended if the cabinet will be on the end of a run
- * Loose toe kick box for ease of installation
- Roll out trays are not full extension or soft close

NOTE: Loose toe kick box will have a finished side, but will have a seam at bottom

24" Deep Four Butt Door Utility with Four Rollout Trays

U242496-4T



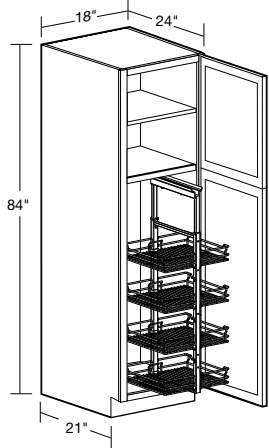
- One fixed shelf dividing upper and lower doors
- Four repositionable, full width rollout trays
- Two adjustable shelves
- TSK96 is recommended if the cabinet will be on the end of a run
- * Loose toe kick box for ease of installation
- Roll out trays are not full extension or soft close

NOTE: Loose toe kick box will have a finished side, but will have a seam at bottom

Tall Cabinets

24" Deep Two Door Utility with Four Pull-out Chrome Trays

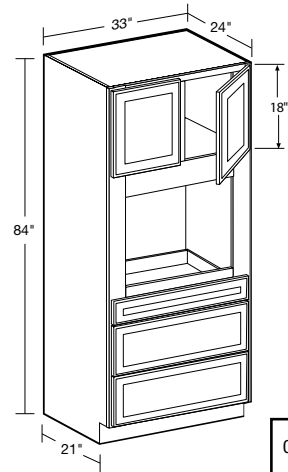
SPECIFY
RIGHT or LEFT HINGED
U182484-PO4WS



- **FIELD INSTALLED PULL-OUT UNIT**
- Pull-out unit includes 4 chrome baskets and optional door mounts
- Top and bottom glides are soft closing and 250 lb. weight rated
- One fixed shelf dividing upper and lower door
- One adjustable upper shelf

24" Deep Universal Oven

OC332484U



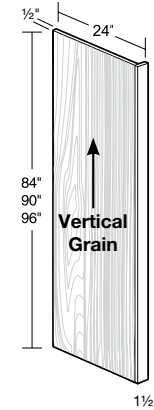
- Consult chart for oven cutout dimensions
- No adjustable shelf
- 3 field removable drawers
- 3" stiles in oven compartment
- For frame openings refer to page 57-59

CABINET	MIN. CUTOUT WIDTH	MAX CUTOUT WIDTH	MIN. CUTOUT HEIGHT	MAX CUTOUT HEIGHT
OC332484U	27"	31"	22"	60"

Tall Cabinets

24" Deep Refrigerator Panel with 1 1/2" wide Filler

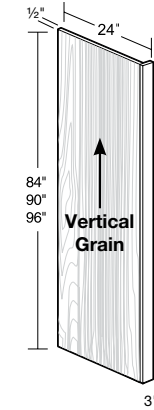
RP1.584
RP1.590
RP1.596



- 1 1/2" wide filler included
- Solid wood filler for stained finishes/MDF for painted and vinyl wrapped finishes
- Panel and filler supplied loose for field assembly
- Reversible, may be installed left or right
- 1/2" thick plywood panel finished with laminate color matched to cabinetry face frame
- Filler can be trimmed down by 5/8" on jobsite

24" Deep Refrigerator Panel with 3" wide Filler

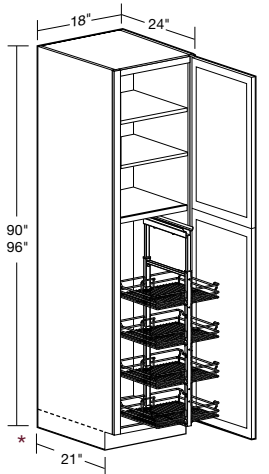
RP384
RP390
RP396



- 3" wide filler included
- Solid wood filler for stained finishes/MDF for painted and vinyl wrapped finishes
- Panel and filler supplied loose for field assembly
- Reversible, may be installed left or right
- 1/2" thick plywood panel finished with laminate color matched to cabinetry face frame
- Filler can be trimmed down by 5/8" on jobsite

24" Deep Two Door Utility with Four Pull-out Chrome Trays

SPECIFY
RIGHT or LEFT HINGED
U182490-PO4WS
U182496-PO4WS

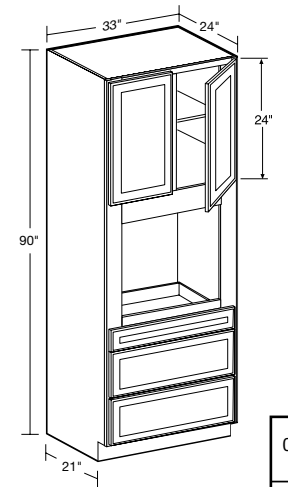


- **FIELD INSTALLED PULL-OUT UNIT**
- Pull-out unit includes 4 chrome baskets and optional door mounts
- Top and bottom glides are soft closing and 250 lb. weight rated
- One fixed shelf dividing upper and lower door
- Two adjustable upper shelves
- * Loose toe kick box for ease of installation
- TSK96 is recommended if the cabinet will be on the end of a run

NOTE: Loose toe kick box will have a finished side, but will have a seam at bottom

24" Deep Universal Oven

OC332490U

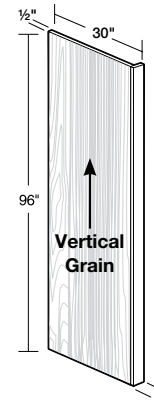


- Consult chart for oven cutout dimensions
- One adjustable shelf
- 3 field removable drawers
- 3" stiles in oven compartment
- For frame openings refer to page 57-59

CABINET	MIN. CUTOUT WIDTH	MAX CUTOUT WIDTH	MIN. CUTOUT HEIGHT	MAX CUTOUT HEIGHT
OC332490U	27"	31"	22"	60"

30" Deep Refrigerator Panel with 1 1/2" wide Filler

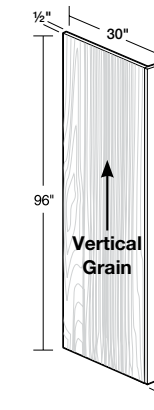
RP1.53096



- 1 1/2" wide filler included
- Solid wood filler for stained finishes/MDF for painted and vinyl wrapped finishes
- Panel and filler supplied loose for field assembly
- Reversible, may be installed left or right
- Trimmable in field for 84" and 90" applications
- 1/2" thick plywood panel finished with laminate color matched to cabinetry face frame
- Filler can be trimmed down by 5/8" on jobsite

30" Deep Refrigerator Panel with 3" wide Filler

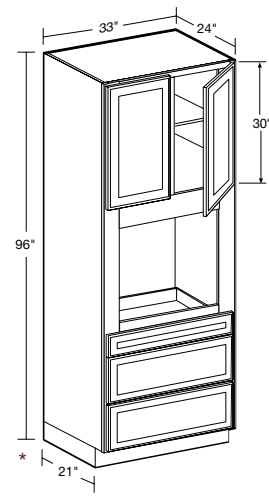
RP33096



- 3" wide filler included
- Solid wood filler for stained finishes/MDF for painted and vinyl wrapped finishes
- Panel and filler supplied loose for field assembly
- Reversible, may be installed left or right
- Trimmable in field for 84" and 90" applications
- 1/2" thick plywood panel finished with laminate color matched to cabinetry face frame
- Filler can be trimmed down by 5/8" on jobsite

24" Deep Universal Oven

OC332496U



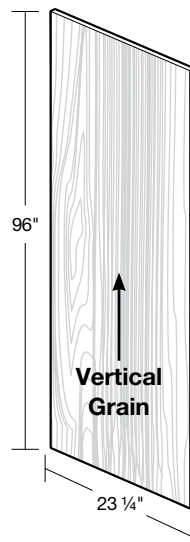
- Consult chart for oven cutout dimensions
- One adjustable shelf
- 3 field removable drawers
- 3" stiles in oven compartment
- * Loose toe kick box for ease of installation
- TSK96 is recommended if the cabinet will be on the end of a run
- For frame openings refer to p.57-59

NOTE: Loose toe kick box will have a finished side, but will have a seam at bottom

CABINET	MIN. WIDTH	MAX WIDTH	MIN. HEIGHT	MAX HEIGHT
OC332496U	27"	31"	22"	69"

Tall Skin

TSK96



- 1/8" thick plywood finished with laminate color matched to cabinetry face frame
- Field modified and installed
- Can be modified for shallower depth and shorter tall cabinets
- Finish matches cabinetry face frame

Ships from
Factory

Stiles after
drawers removed

Possible use of
bottom drawer

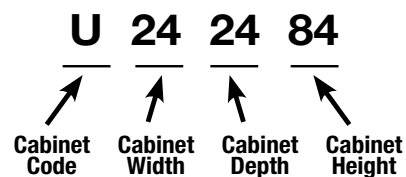
All drawers
removed



The Universal Oven cabinet will need to be modified on the job site to fit your specific appliance. By removing the drawers and stiles between the drawers you can achieve an opening height between 21" and 60", and a maximum width of 30". The height of the upper doors will not be affected with these modifications. Your appliance size and the amount of modification required will determine if the drawers will be able to be used. In some instances, the top drawer may be dropped to the bottom position, thus allowing a drawer to remain. Installation and modification of the cabinet is completed on your job site, not in the factory. Support for the appliance is not supplied by the cabinet company and will need to be determined based on appliance manufacture requirement.

Tall Cabinets with Glass Doors

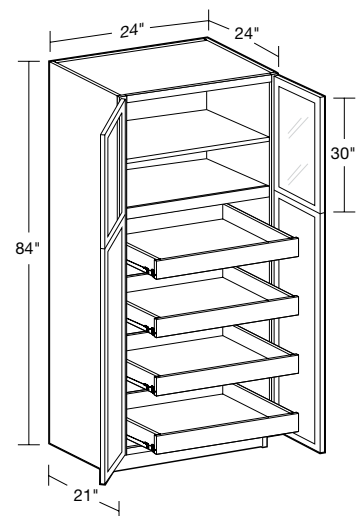
TALL CABINET CODING



- Standard Tall Cabinets are 24" deep
- Not available in WWV, WVW or WVB
- Clear glass ships separate from cabinets
- Standard cabinet exterior is color matched to face frame
- Matching interiors are standard in PFG cabinets
- Soft close hinges unless otherwise stated
- **Shelf adjustment holes on the interior sides and back of cabinets will be visible**

24" Deep Four Butt Door Utility with Four Rollout Trays

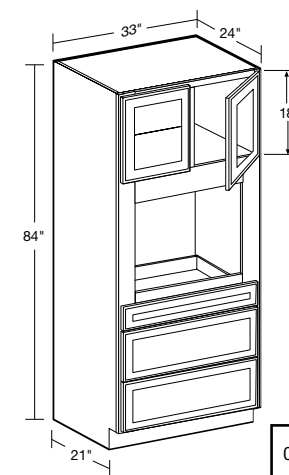
U242484PFG-4T



- Upper doors prepped for glass, matching cabinet interior throughout
- One fixed shelf dividing upper and lower doors
- Four repositionable, full width rollout trays, in natural wood color
- One adjustable shelf
- Roll out trays are not full extension or soft close

24" Deep Universal Oven

OC332484PFGU



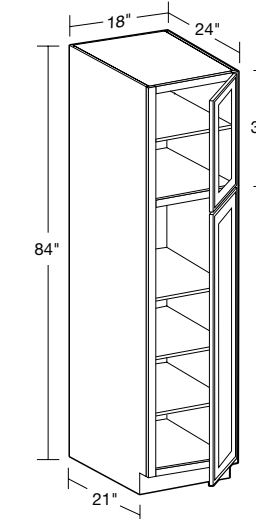
- Upper doors prepped for glass, matching cabinet interior throughout
- Consult chart for oven cutout dimensions
- No adjustable shelf
- 3 field removable drawers
- 3" stiles in oven compartment
- For frame openings refer to page 57-59

CABINET	MIN. CUTOUT WIDTH	MAX CUTOUT WIDTH	MIN. CUTOUT HEIGHT	MAX CUTOUT HEIGHT
OC332484U	27"	31"	22"	60"

24" Deep Two Door Utility



SPECIFY
RIGHT or LEFT HINGED
U182484PFG

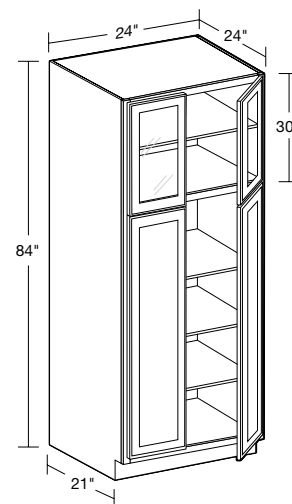


- Upper doors prepped for glass, matching cabinet interior throughout
- One fixed shelf dividing upper and lower doors, four adjustable shelves
- Optional rollout trays or additional shelves available
- **CUSTOM DEPTH: 9" to 23" deep**

24" Deep Four Butt Door Utility



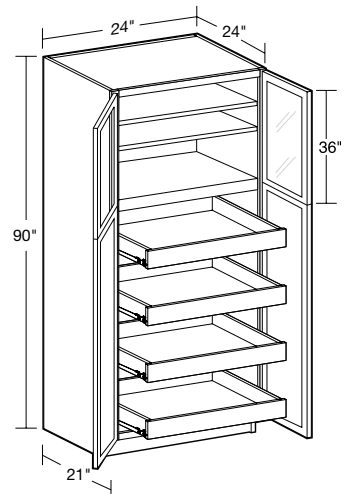
U242484PFG



- Upper doors prepped for glass, matching cabinet interior throughout
- One fixed shelf dividing upper and lower doors, four adjustable shelves
- Optional rollout trays or additional shelves available
- **CUSTOM DEPTH: 9" to 23" deep**

24" Deep Four Butt Door Utility with Four Rollout Trays

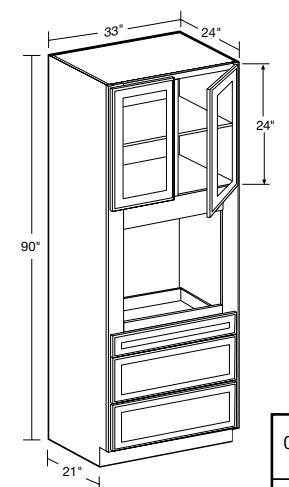
U242490PFG-4T



- Upper doors prepped for glass, matching cabinet interior throughout
- One fixed shelf dividing upper and lower doors
- Four repositionable, full width rollout trays, in natural wood color
- Two adjustable shelves
- Roll out trays are not full extension or soft close

24" Deep Universal Oven

OC332490PFGU



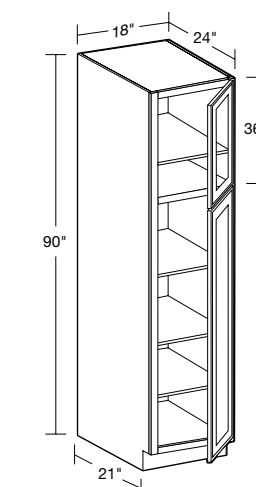
- Upper doors prepped for glass, matching cabinet interior throughout
- Consult chart for oven cutout dimensions
- One adjustable shelf
- 3 field removable drawers
- 3" stiles in oven compartment
- For frame openings refer to page 57-59

CABINET	MIN. CUTOUT WIDTH	MAX CUTOUT WIDTH	MIN. CUTOUT HEIGHT	MAX CUTOUT HEIGHT
OC332490U	27"	31"	22"	60"

24" Deep Two Door Utility



SPECIFY
RIGHT or LEFT HINGED
U182490PFG

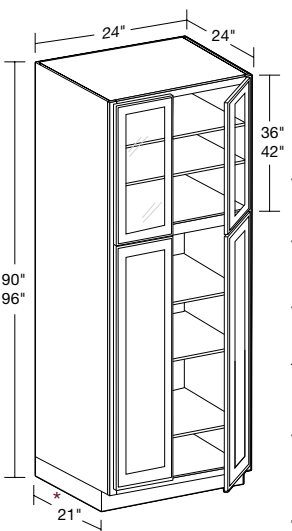


- Upper doors prepped for glass, matching cabinet interior throughout
- One fixed shelf dividing upper and lower doors, four adjustable shelves
- Optional rollout trays or additional shelves available
- **CUSTOM DEPTH: 9" to 23" deep**

24" Deep Four Butt Door Utility



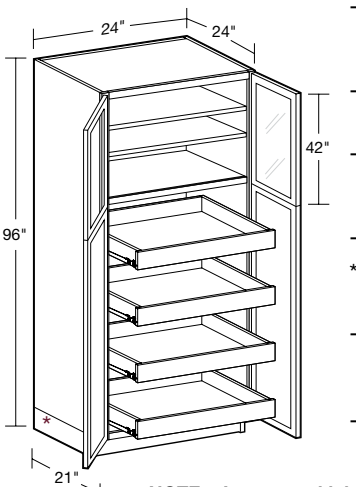
U242490PFG
U242496PFG



- Upper doors prepped for glass, matching cabinet interior throughout
- One fixed shelf dividing upper and lower doors, five adjustable shelves
- Optional rollout trays or additional shelves available
- * On 96", loose toe kick box for ease of installation
- For 96" unit TSK96 is recommended if the cabinet will be on the end of a run
- **CUSTOM DEPTH: 9" to 23"**

24" Deep Four Butt Door Utility with Four Rollout Trays

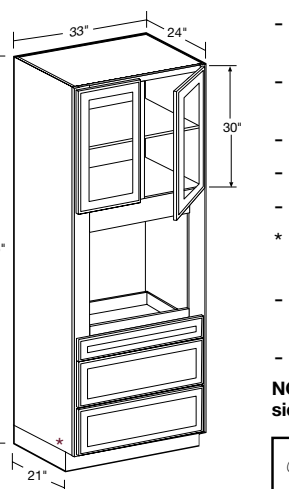
U242496PFG-4T



- Upper doors prepped for glass, matching cabinet interior throughout
- One fixed shelf dividing upper and lower doors
- Four repositionable, full width rollout trays, in natural wood color
- Two adjustable shelves
- * Loose toe kick box for ease of installation
- TSK96 is recommended if the cabinet will be on the end of a run
- Roll out trays are not full extension or soft close

24" Deep Universal Oven

OC332496PFGU



- Upper doors prepped for glass, matching cabinet interior throughout
- Consult chart for oven cutout dimensions
- One adjustable shelf
- 3 field removable drawers
- 3" stiles in oven compartment
- * Loose toe kick box for ease of installation
- TSK96 is recommended if the cabinet will be on the end of a run
- For frame openings refer to p. 57-59

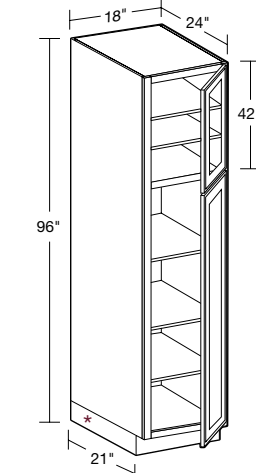
NOTE: Loose toe kick box will have a finished side, but will have a seam at bottom

CABINET	MIN. WIDTH	MAX WIDTH	MIN. HEIGHT	MAX HEIGHT
OC332496U	27"	31"	22"	69"

24" Deep Two Door Utility



SPECIFY
RIGHT or LEFT HINGED
U182496PFG

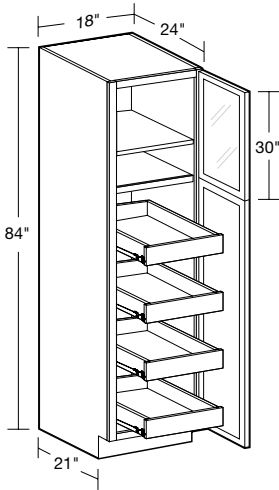


- Upper doors prepped for glass, matching cabinet interior throughout
- One fixed shelf dividing upper and lower doors, five adjustable shelves
- Optional rollout trays or additional shelves available
- TSK96 is recommended if the cabinet will be on the end of a run
- * Loose toe kick box for ease of installation
- **CUSTOM DEPTH: 9" to 23" deep**

NOTE: Loose toe kick box will have a finished side, but will have a seam at bottom

Tall Cabinets with Glass Doors

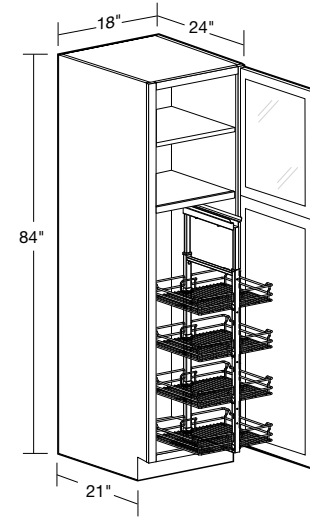
24" Deep Two Door Utility with Four Rollout Trays



SPECIFY
RIGHT or LEFT HINGED
U182484PFG-4T

- Upper doors prepped for glass, matching cabinet interior throughout
- One fixed shelf dividing upper and lower doors
- Four repositionable, full width rollout trays, in natural wood color
- One adjustable shelf
- Roll out trays are not full extension or soft close

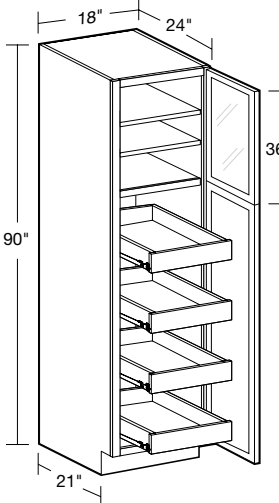
24" Deep Two Door Utility with Four Pull-out Chrome Trays



SPECIFY
RIGHT or LEFT HINGED
U182484PFG-PO4WS

- Upper doors prepped for glass, matching cabinet interior throughout
- **FIELD INSTALLED PULL-OUT UNIT**
- Pull-out unit includes 4 chrome baskets and optional door mounts
- Top and bottom glides are soft closing and 250 lb. weight rated
- One fixed shelf dividing upper and lower door
- One adjustable upper shelf

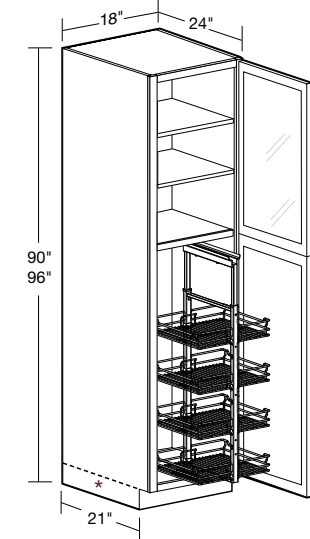
24" Deep Two Door Utility with Four Rollout Trays



SPECIFY
RIGHT or LEFT HINGED
U182490PFG-4T

- Upper doors prepped for glass, matching cabinet interior throughout
- One fixed shelf dividing upper and lower doors
- Four repositionable, full width rollout trays, in natural wood color
- Two adjustable shelves
- Roll out trays are not full extension or soft close

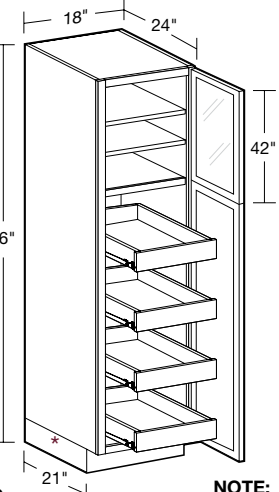
24" Deep Two Door Utility with Four Pull-out Chrome Trays



SPECIFY
RIGHT or LEFT HINGED
U182490PFG-PO4WS
U182496PFG-PO4WS

- Upper doors prepped for glass, matching cabinet interior throughout
- **FIELD INSTALLED PULL-OUT UNIT**
- Pull-out unit includes 4 chrome baskets and optional door mounts
- Top and bottom glides are soft closing and 250 lb. weight rated
- One fixed shelf dividing upper and lower door

24" Deep Two Door Utility with Four Rollout Trays



SPECIFY
RIGHT or LEFT HINGED
U182496PFG-4T

- Upper doors prepped for glass, matching cabinet interior throughout
- One fixed shelf dividing upper and lower doors
- Four repositionable, full width rollout trays, in natural wood color
- Two adjustable shelves
- TSK96 is recommended if the cabinet will be on the end of a run
- * Loose toe kick box for ease of installation
- Roll out trays are not full extension or soft close

- Two adjustable upper shelves
- TSK96 is recommended if the cabinet will be on the end of a run
- * Loose toe kick box for ease of installation

NOTE: Loose toe kick box will have a finished side, but will have a seam at bottom

NOTE: Loose toe kick box will have a finished side, but will have a seam at bottom

Tall Cabinets with No Door

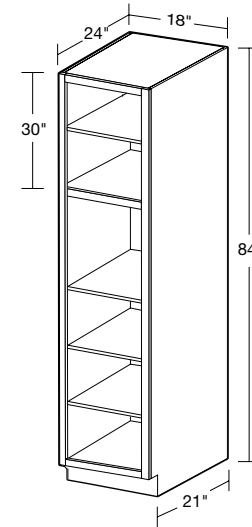
TALL CABINET CODING

U 24 24 84

↑ ↑ ↑ ↑
Cabinet Code Cabinet Width Cabinet Depth Cabinet Height

- Standard Tall Cabinets are 24" deep
- Standard cabinet exterior sides are color matched to face frame
- Matching interiors are standard in tall cabinets with no doors
- **Shelf adjustment holes on the interior sides and back of cabinets will be visible**

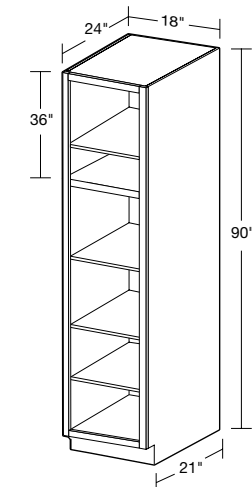
24" Deep No Door Utility



CUSTOM DEPTH
U182484ND

- One fixed shelf dividing upper and lower section, four adjustable shelves
- **CUSTOM DEPTH: 9" to 23" deep**

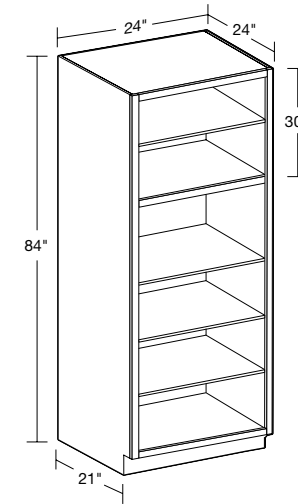
24" Deep No Door Utility



CUSTOM DEPTH
U182490ND

- One fixed shelf dividing upper and lower section, four adjustable shelves
- **CUSTOM DEPTH: 9" to 23" deep**

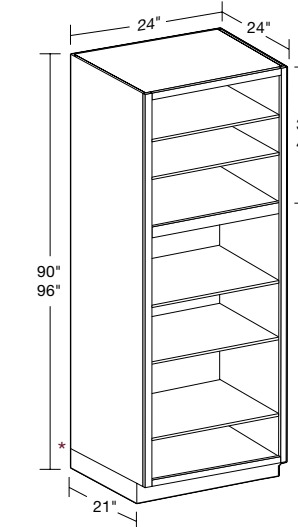
24" Deep No Door Utility



CUSTOM DEPTH
U242484ND

- One fixed shelf dividing upper and lower section, four adjustable shelves
- **CUSTOM DEPTH: 9" to 23" deep**

24" Deep No Door Utility

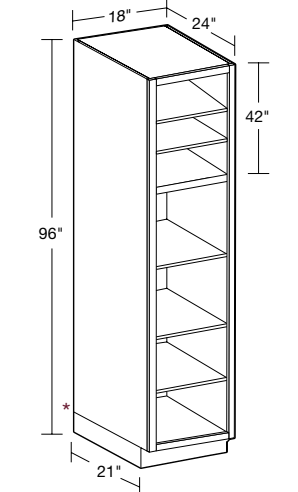


CUSTOM DEPTH
U242490ND
U242496ND

- One fixed shelf dividing upper and lower section, five adjustable shelves
- * On 96", loose toe kick box for ease of installation
- For 96" unit TSK96 is recommended if the cabinet will be on the end of a run
- **CUSTOM DEPTH: 9" to 23" deep**

NOTE: Loose toe kick box will have a finished side, but will have a seam at bottom

24" Deep No Door Utility



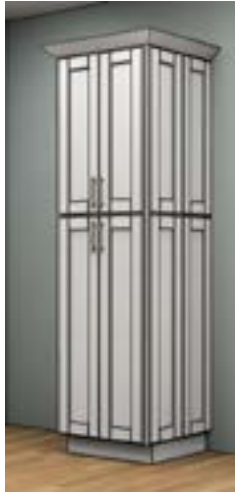
CUSTOM DEPTH
U182496ND

- One fixed shelf dividing upper and lower section, five adjustable shelves
- TSK96 is recommended if the cabinet will be on the end of a run
- * Loose toe kick box for ease of installation
- **CUSTOM DEPTH: 9" to 23" deep**

NOTE: Loose toe kick box will have a finished side, but will have a seam at bottom

Tall Cabinets Design Tips

Decorative Ends for Tall Cabinets



For decorative ends on a tall 24" deep cabinet use a CFOU and a tall skin.

Clearance for Roll Out Trays



Make sure to leave enough clearance for door to open at least 90 degrees when placing next to wall or refrigerator cabinet.

Customizing the Depth of a Tall Cabinet



Customize the depth of a 24" wide utility cabinet (U242484, U242490, or U242496) down to 12" and use it facing out next to a refrigerator or another utility cabinet for shallow food storage, storing brooms/mops, or create a hidden message center.

Customizing the Depth of a Tall Cabinet



A narrow alcove in your kitchen or a pantry like storage area can be transformed into an entire wall of open and closed storage by using a combination of ND and Standard Utility cabinets with a reduced depth.

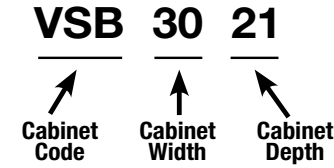
Customizing the Depth of a Tall Cabinet



Customize the depth of a 24" wide Utility cabinet with no doors (U242484ND, U242490ND, or U242496ND) down to 12" and use it facing out next to a refrigerator or another utility cabinet for open storage and an interesting transition in the kitchen.

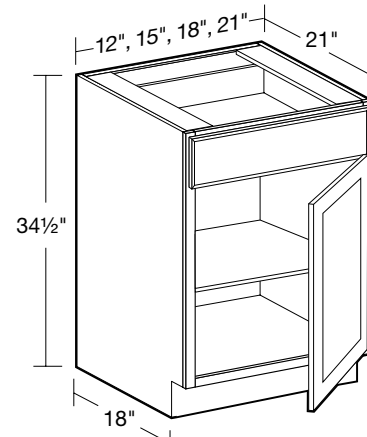
Vanity & Desk Cabinets

VANITY CABINET CODING



- Standard Vanity Base Cabinets are 21" deep and 34½" high
- Cabinet depth does not include door thickness
- Custom Depths are available where indicated. Use Standard Base Cabinet coding to order as specified.**
- Products are available in all door styles unless stated otherwise
- Standard cabinet exterior sides are color matched to face frame
- Soft close unless otherwise stated

21" Deep Single Door Vanity Base



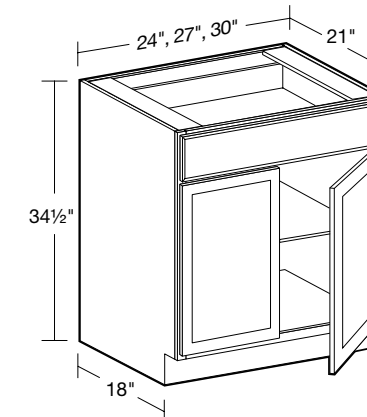
SPECIFY RIGHT or LEFT HINGED
STANDARD 21" DEPTHS
VB1821 VB1221
VB2121 VB1521

CUSTOM DEPTH

- Order B12, B15, B18 or B21
- Select 9" to 23" depth
- 9" to 14" deep have false fronts & no drawer

- One full depth adjustable shelf
- One standard drawer

21" Deep Double Door Vanity Base



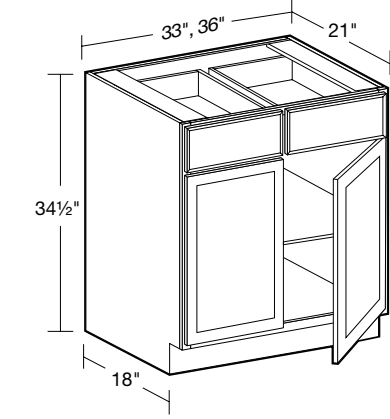
STANDARD 21" DEPTHS
VB2421
VB2721
VB3021

CUSTOM DEPTH

- Order B24, B27 or B30
- Select 9" to 23" depth
- 9" to 14" deep have false fronts & no drawer

- One full depth adjustable shelf
- One standard drawer

21" Deep Double Door Vanity Base



STANDARD 21" DEPTHS
VB3321
VB3621

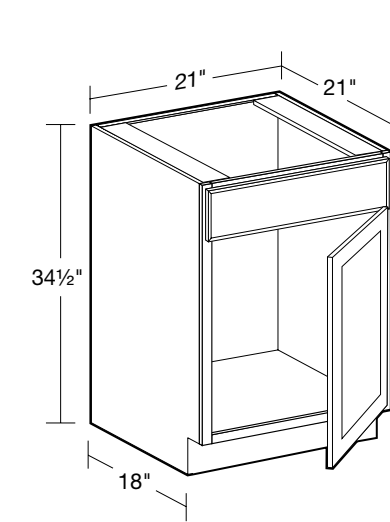
CUSTOM DEPTH

FOR CUSTOM DEPTHS

- Order B33 or B36
- Select 9" to 23" depth
- 9" to 14" deep have false fronts & no drawer

- One full depth adjustable shelf
- Two standard drawers

21" Deep Single Door Vanity Sink Base



SPECIFY RIGHT or LEFT HINGED
VSB2121

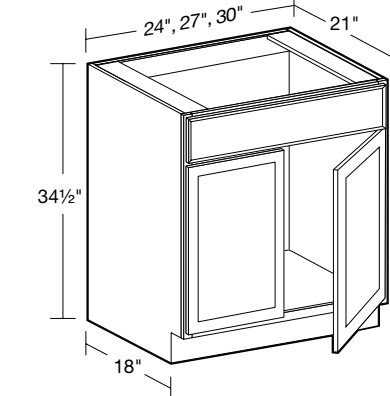
CUSTOM DEPTH

FOR CUSTOM DEPTHS

- Order SB21
- Select 9" to 23" depth

- Maximum sink cutout 19" wide
- No shelf
- False drawer front

21" Deep Double Door Vanity Sink Base



STANDARD 21" DEPTHS
VSB2421
VSB2721
VSB3021

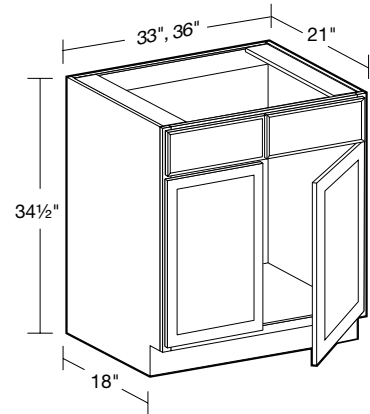
CUSTOM DEPTH

FOR CUSTOM DEPTHS

- Order SB24, SB27 or SB30
- Select 9" to 23" depth

- No shelf
- False drawer front

21" Deep Double Door Vanity Sink Base



**STANDARD
21" DEPTHS**
VSB3321
VSB3621

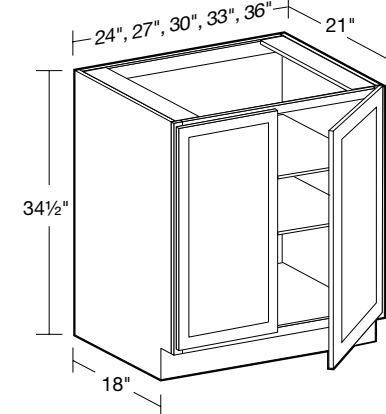


FOR CUSTOM DEPTHS

- Order **SB33** or **SB36**
- Select 9" to 23" depth

- No shelf, two false fronts

21" Deep Double Full Height Door Vanity Base



**STANDARD
21" DEPTHS**
VB2421FH
VB2721FH
VB3021FH
VB3321FH
VB3621FH

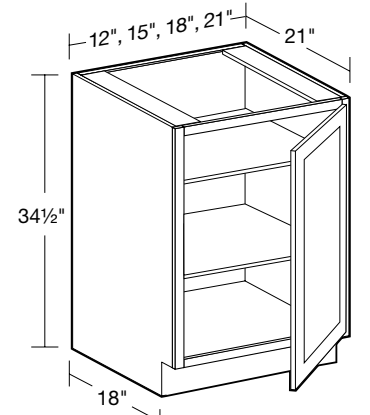


FOR CUSTOM DEPTHS

- Order **B24FH**, **B27FH**, **B30FH** or **B36FH**
- Select 9" to 23" depth

- Two adjustable shelves

21" Deep Single Full Height Door Vanity Base



**SPECIFY
RIGHT or LEFT HINGED**
**STANDARD
21" DEPTHS**
VB1221FH
VB1521FH
VB1821FH
VB2121FH

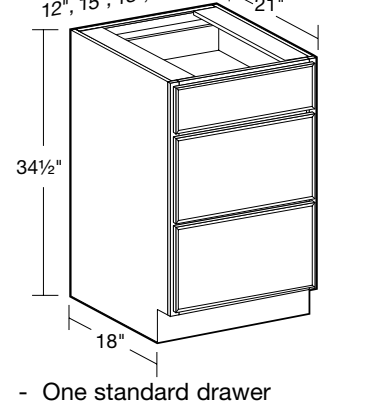


FOR CUSTOM DEPTHS

- Order **B12FH**, **B15FH**, **B18FH** or **B21FH**
- Select 9" to 23" depth

- Two adjustable shelves

21" Deep Vanity Base Drawer



**STANDARD
21" DEPTHS**
VBD1221*
VBD1521
VBD1821
VBD2421
VBD3021



FOR CUSTOM DEPTHS

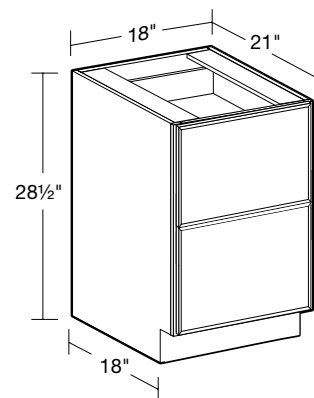
- Order **BD12**, **BD15**, **BD18**, **BD24** or **VBD3021**
- Select 15" to 23" depth

- One standard drawer
- Two deep drawers

* Maximum drawer handle width for drawers is 4" wide for raised panel styles, 5 1/2" wide for recessed panel styles.

21" Deep Desk Drawer

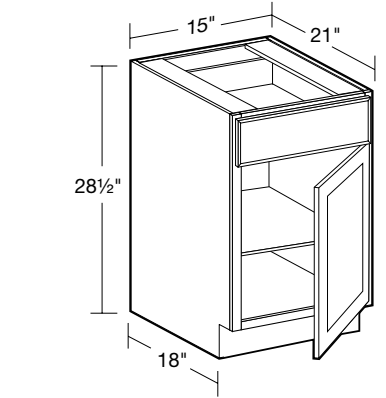
DDR18



- Two standard drawers*
- Comfortable height for dressing table or writing surface
- Not available in **WWV**, **WVG** or **WVB** door styles

*Does not support hanging files.

21" Deep Desk Door

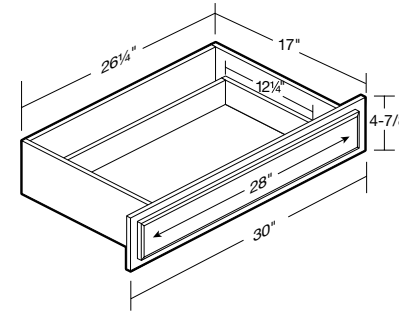


**SPECIFY
RIGHT or LEFT HINGED**
DDO15

- One adjustable shelf
- Comfortable height for dressing table or writing surface
- Not available in **WWV**, **WVG** or **WVB** door styles

21" Deep Desk Knee Drawer

DKD30



- One full width pencil/cosmetic drawer
- Knee drawer is designed for use between two base cabinets
- Comfortable height for dressing table or writing surface when installed at 28 1/2" height with 1 1/2" thick countertop
- **Slab drawer front all door styles**
- May be trimmed up to 1" on each side

NOTE: Full Extension Soft-Close Runner Not Available

NOTE: Not available in **WWV**, **WVG** or **WVB** door styles

Vanity Cabinets with No Door

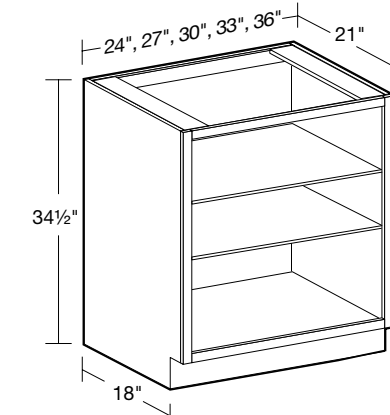
VANITY CABINET CODING

VSB 30 21

↑ Cabinet Code ↑ Cabinet Width ↑ Cabinet Depth

- Standard Vanity Base Cabinets are 21" deep and 34 1/2" high
- Matching interiors are standard in vanity cabinets with no doors
- **Custom Depths are available where indicated. Use Standard Base Cabinet coding to order as specified.**
- Products are available in all door styles unless stated otherwise
- Standard cabinet exterior sides are color matched to face frame
- **Shelf adjustment holes on the interior sides and back of cabinets will be visible**

21" Deep Double Full Height Door Vanity Base



**STANDARD
21" DEPTHS**
VB2421ND
VB2721ND
VB3021ND
VB3321ND
VB3621ND

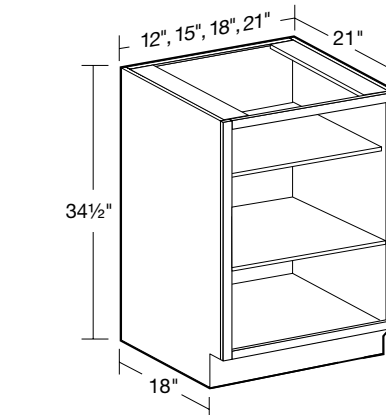


FOR CUSTOM DEPTHS

- Order **B24ND**, **B27ND**, **B30ND** or **B36ND**
- Select 9" to 23" depth

- Two adjustable shelves

21" Deep Single Full Height Door Vanity Base



**STANDARD
21" DEPTHS**
VB1221ND
VB1521ND
VB1821ND
VB2121ND



FOR CUSTOM DEPTHS

- Order **B12ND**, **B15ND**, **B18ND** or **B21ND**
- Select 9" to 23" depth

- Two adjustable shelves

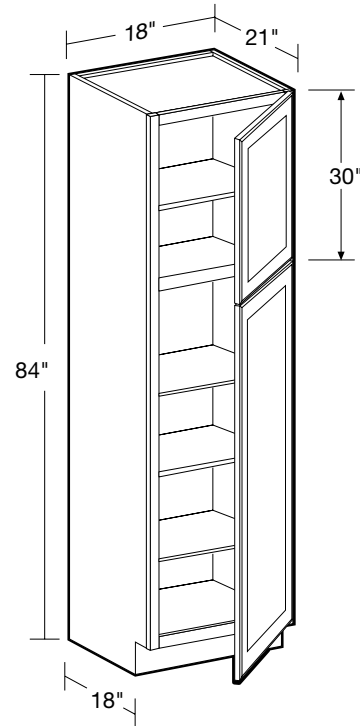
Using ND Vanity Cabinets



Use an ND cabinet as narrow as **VB1521ND** in your bathroom to store rolled towels or wash cloths

Vanity Linen Cabinets

21" Deep Two Door Linen

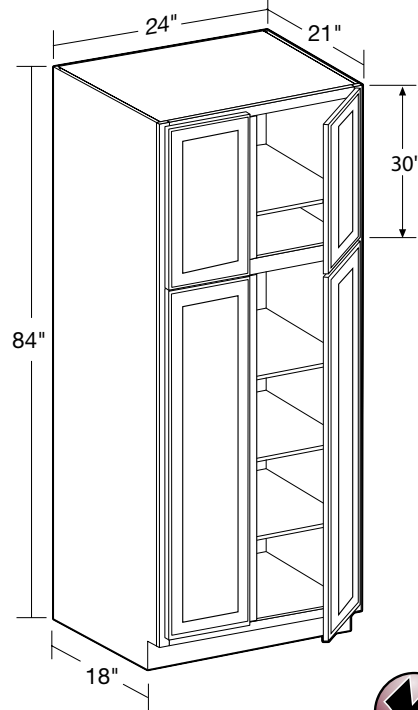


SPECIFY
RIGHT or LEFT HINGED
STANDARD
21" DEPTH
VLC182184

CUSTOM DEPTH
FOR CUSTOM DEPTHS
· Order **U182484**
· Select 9" to 23" depth

- One fixed shelf dividing upper and lower doors, four adjustable shelves

21" Deep Four Door Linen



STANDARD
21" DEPTH
VLC242184

CUSTOM DEPTH
FOR CUSTOM DEPTHS
· Order **U242484**
· Select 9" to 23" depth

Note: Roll out trays not available for Vanity Linen Cabinets or reduced depth cabinets.

- One fixed shelf dividing upper and lower doors, four adjustable shelves

Vanity Linen Cabinets with Glass Doors

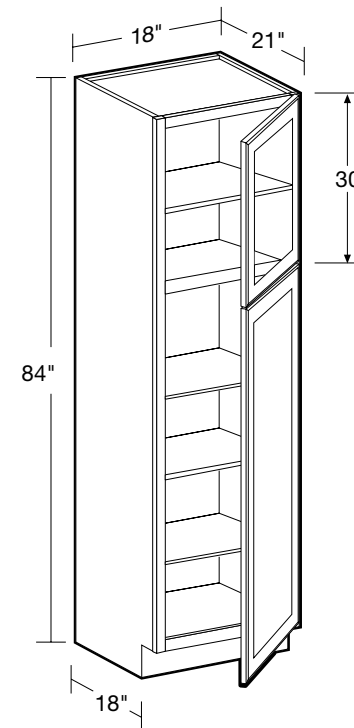
VANITY CABINET CODING

VLC 30 21

↑ Cabinet Code ↑ Cabinet Width ↑ Cabinet Depth

- Standard Vanity Cabinets are 21" deep
- Cabinet depth does not include door thickness
- **Custom Depths are available where indicated. Use Standard Base Cabinet coding to order as specified.**
- Not available in WWW, WVG or WVB
- Standard cabinet exterior sides are color matched to face frame
- Glass ships separate from cabinets
- Matching interiors are standard in PFG cabinets
- **Shelf adjustment holes on the interior sides and back of cabinets will be visible**

21" Deep Two Door Linen

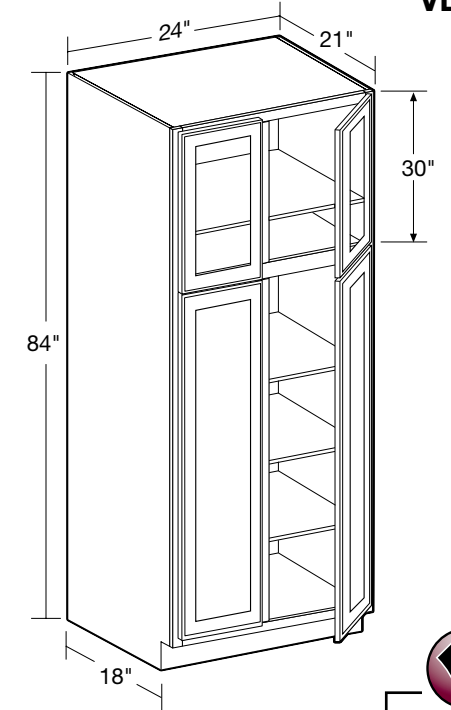


SPECIFY
RIGHT or LEFT HINGED
STANDARD
21" DEPTH
VLC182184PFG

CUSTOM DEPTH
FOR CUSTOM DEPTHS
· Order **U182484PFG**
· Select 9" to 23" depth

- Upper doors prepped for glass, matching cabinet interior throughout
- One fixed shelf dividing upper and lower doors, four adjustable shelves

21" Deep Four Door Linen

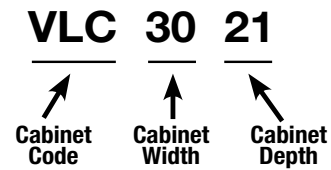


STANDARD
21" DEPTH
VLC242184PFG

CUSTOM DEPTH
FOR CUSTOM DEPTHS
· Order **U242484PFG**
· Select 9" to 23" depth

- Upper doors prepped for glass, matching cabinet interior throughout
- One fixed shelf dividing upper and lower doors, four adjustable shelves

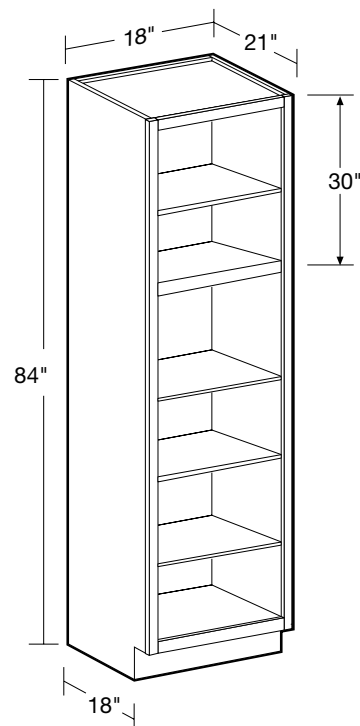
VANITY CABINET CODING



- Standard Vanity Linen Cabinets are 21" deep
- Custom Depths are available where indicated. Use Standard Base Cabinet coding to order as specified.
- Products are available in all door styles unless stated otherwise
- Standard cabinet exterior sides are color matched to face frame
- Matching interiors are standard in vanity linen cabinets with no doors
- Shelf adjustment holes on the interior sides and back of cabinets will be visible

21" Deep Two Door Linen

STANDARD
21" DEPTH
VLC182184ND



CUSTOM DEPTH

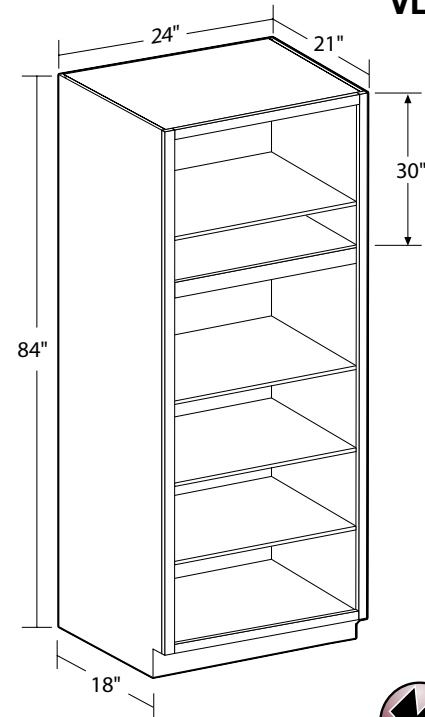
FOR CUSTOM DEPTHS

- Order **U182484ND**
- Select 9" to 23" depth

- One fixed shelf dividing upper and lower sections, four adjustable shelves

21" Deep Four Door Linen

STANDARD
21" DEPTH
VLC242184ND



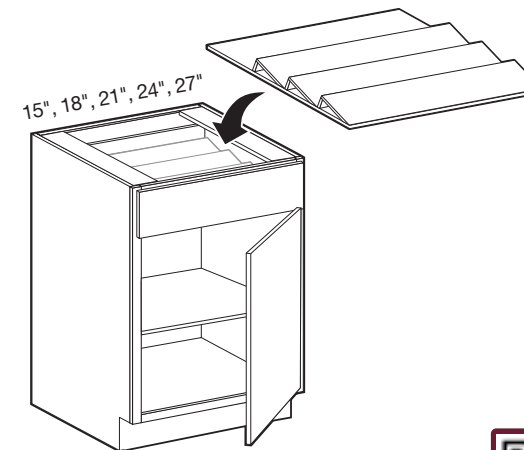
CUSTOM DEPTH

FOR CUSTOM DEPTHS

- Order **U242484ND**
- Select 9" to 23" depth

- One fixed shelf dividing upper and lower sections, four adjustable shelves

Spice Drawer Insert



SDI15
SDI18
SDI21
SDI24
SDI27

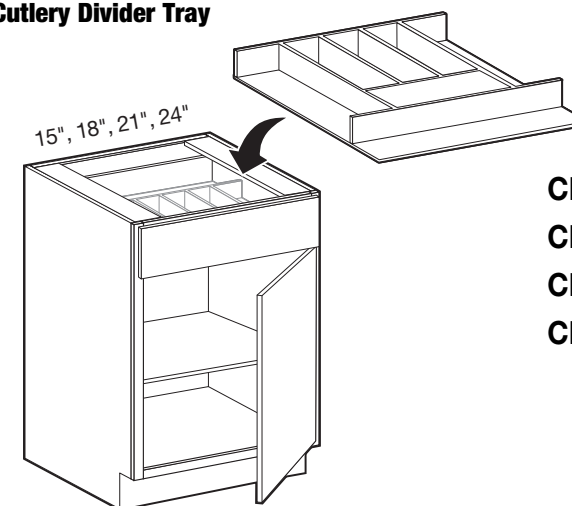


PLAY

DESIGN TIP

- Solid hardwood drawer insert
- Three 5" high angled tiers
- Rear 4" deep compartment
- Sized to fit inside 15", 18", 21", 24", 27" wide drawers
- Not for use in custom-depth cabinets

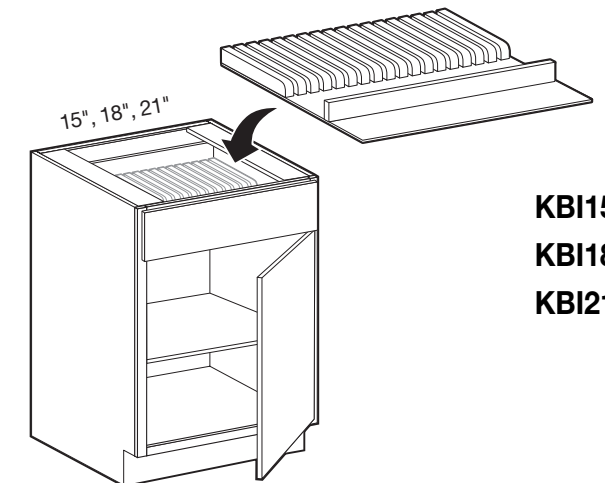
Cutlery Divider Tray



CDT15
CDT18
CDT21
CDT24

- Solid hardwood drawer insert
- One full width front utensil compartment
- CDT15:** 6 compartments 10"-14" deep (fits B15, BD15)
- CDT18:** 6 compartments 10"-14" deep (fits B18, BD18, B36, BD36)
- CDT21:** 8 compartments 10"-14" deep (fits B21)
- CDT24:** 8 compartments 10"-14" deep (fits B24, BD24)
- Not for use in custom-depth cabinets

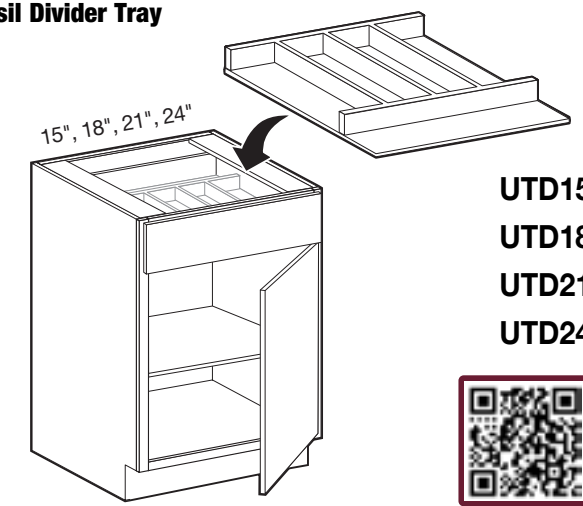
Knife Block Insert



KBI15
KBI18
KBI21

- Solid hardwood drawer insert
- One full width front utensil compartment
- KBI15:** 10 knife slots + utensil compartment (fits B15, BD15)
- KBI18:** 13 knife slots + utensil compartment (fits B18, BD18, B36, BD36)
- KBI21:** 16 knife slots + utensil compartment (fits B21)
- Not for use in custom-depth cabinets

Utensil Divider Tray



UTD15
UTD18
UTD21
UTD24



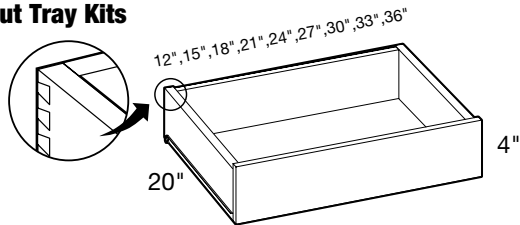
PLAY

DESIGN TIP

- Solid hardwood drawer insert
- One full width front utensil compartment
- UTD15:** 2 additional compartments 16" deep (fits B15, BD15)
- UTD18:** 4 additional compartments 16" deep (fits B18, BD18, B36, BD36)
- UTD21:** 5 additional compartments 16" deep (fits B21)
- UTD24:** 5 additional compartments 16" deep (fits B24, BD24)
- Not for use in custom-depth cabinets

Accessories

Rollout Tray Kits



ROT12 ROT18 ROT24 ROT30 ROT36
ROT15 ROT21 ROT27 ROT33

NOTE: Roll out trays not available for Vanity Linen Cabinets or reduced depth cabinets.

NOTE: The roll out trays are natural birch in color and will not be color matched if added to a PFG or No door cabinet with matching interior.

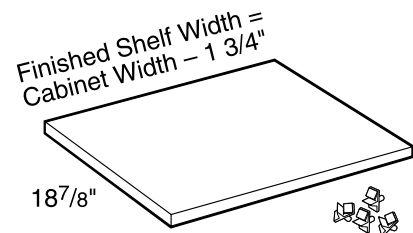
- 5/8" Solid wood dovetail construction
- Consult availability guide
- Includes 3/4" extension epoxy coated smooth-glide edge mounted runners
- 75 lb. load capacity
- Available for use base and tall cabinets
- Field-install into factory pre-drilled locations only
- Soft close not included



DESIGN TIP

ROLL-OUT TRAY KIT AVAILABILITY GUIDE		
PART#	DESIGNED TO FIT	ACTUAL WIDTH
ROT12	B12, B12FH	8"
ROT15	B15, B15FH	11"
ROT18	B18, B18FH, U182484 / 90 / 96	14"
ROT21	B21, B21FH	17"
ROT24	B24, B24FH, SB24, U242484 / 90 / 96	20"
ROT27	B27, B27FH, SB27	23"
ROT30	B30, B30FH, SB30	26"
ROT33	B33, B33FH, SB33	29"
ROT36	B36, B36FH, SB36	32"

Vanity Shelf Kit

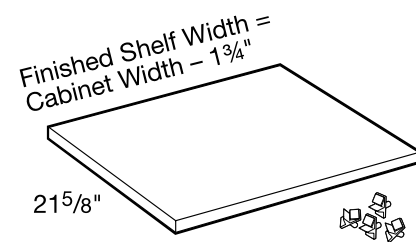


VSK1221 VSK2121 VSK3021
VSK1521 VSK2421 VSK3321
VSK1821 VSK2721 VSK3621

- 3/4" Thick plywood faced with natural birch laminate and matching edgebanding.
- Edgebanded on front edge
- One shelf and set of clips per kit
- Consult availability guide

48 EXAMPLE: 36" wide vanity cabinet uses VSK3621

Base Cabinet Shelf Kits

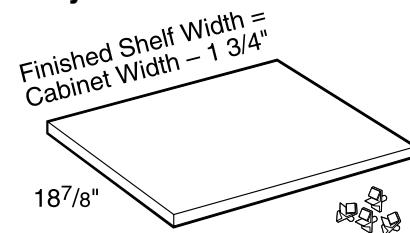


SK1224 SK2124 SK3024
SK1524 SK2424 SK3324
SK1824 SK2724 SK3624

- 3/4" Thick plywood faced with natural birch laminate and matching edgebanding.
- Edgebanded on front edge
- One shelf and set of clips per kit
- Consult availability guide

SHELF KIT AVAILABILITY GUIDE		
PART#	DESIGNED TO FIT	ACTUAL WIDTH
SK1224	B12, B12FH	10 1/4"
SK1524	B15, B15FH	13 1/4"
SK1824	B18, B18FH, U182484/96	16 1/4"
SK2124	B21, B21FH	19 1/4"
SK2424	B24, B24FH, SB24, U242484 / 90 / 96	22 1/4"
SK2724	B27, B27FH, SB27	25 1/4"
SK3024	B30, B30FH, SB30, BBCU39	28 1/4"
SK3324	B33, B33FH, SB33, OC332484U / 90U / 96U	31 1/4"
SK3624	B36, B36FH, SB36, BBCU42	34 1/4"

Matching Interior Vanity Shelf Kit

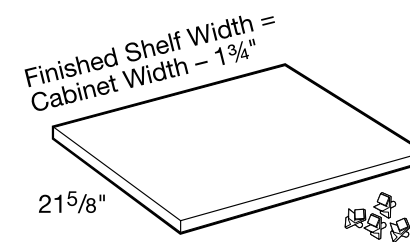


VSK1221MI VSK2121MI VSK3021MI
VSK1521MI VSK2421MI VSK3321MI
VSK1821MI VSK2721MI VSK3621MI

- Shelf kits are 3/4" thick plywood finished with laminate and matching edgebanding color matched to cabinetry face frame
- Edgebanded on front edge

EXAMPLE: 36" wide vanity cabinet uses VSK3621MI

Matching Interior Base Cabinet Shelf Kits

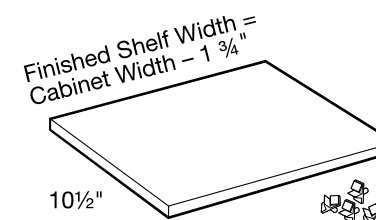


SK1224MI SK2124MI SK3024MI
SK1524MI SK2424MI SK3324MI
SK1824MI SK2724MI SK3624MI

- Shelf kits are 3/4" thick plywood finished with laminate and matching edgebanding color matched to cabinetry face frame
- Edgebanded on front edge
- One shelf and set of clips per kit
- Consult availability guide

SHELF KIT AVAILABILITY GUIDE FOR BASES/TALLS		
PART#	DESIGNED TO FIT	ACTUAL WIDTH
SK1224MI	B12ND	10 1/4"
SK1524MI	B15ND	13 1/4"
SK1824MI	B18ND, U182484/90/96-PFG, U182484/90/96-ND	16 1/4"
SK2124MI	B21ND	19 1/4"
SK2424MI	B24ND, U242484/90/96-PFG, U242484/90/96-ND	22 1/4"
SK2724MI	B27ND	25 1/4"
SK3024MI	B30ND, W302424PFG, W302424ND	28 1/4"
SK3324MI	B33ND, OC332484/90/96U	31 1/4"
SK3624MI	B36ND, W362424PFG, W362424ND	34 1/4"

Wall Cabinet Shelf Kits

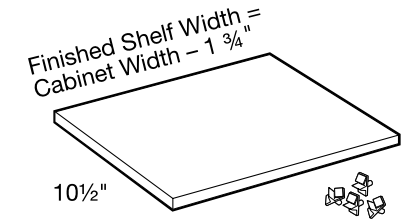


SK1212 SK2112 SK3012
SK1512 SK2412 SK3312
SK1812 SK2712 SK3612

- 3/4" Thick plywood faced with natural birch laminate and matching edgebanding
- Edgebanded on front edge
- One shelf and set of clips per kit

EXAMPLE: 36" wide wall cabinet uses SK3612

Matching Interior Wall Cabinet Shelf Kits



SK1212MI SK2112MI SK3012MI
SK1512MI SK2412MI SK3312MI
SK1812MI SK2712MI SK3612MI

- Shelf kits are 3/4" thick plywood finished with laminate and matching edgebanding color matched to cabinetry face frame
- Edgebanded on front edge
- One shelf and set of clips per kit
- Consult availability guide

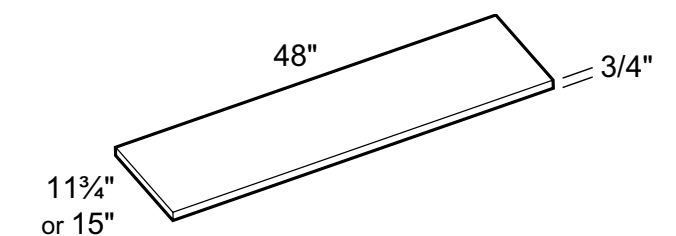
EXAMPLE: 36" wide wall cabinet uses SK3612MI

SHELF KIT AVAILABILITY GUIDE FOR WALLS		
PART#	DESIGNED TO FIT	ACTUAL WIDTH
SK1212MI	W1230/36/42-PFG, W1230/36/42-ND	10 1/4"
SK1512MI	W1530/36/42-PFG, W1530/36/42-ND	13 1/4"
SK1812MI	W1830/36/42-PFG, W1830/36/42-ND	16 1/4"
SK2112MI	W2130/36/42-PFG, W2130/36/42-ND	19 1/4"
SK2412MI	W2430/36/42-PFG, W2430/36/42-ND	22 1/4"
SK2712MI	W2730/36/42-PFG, W2730/36/42-ND	25 1/4"
SK3012MI	W3024/30/36/42-PFG, W3024/30/36/42-ND	28 1/4"
SK3312MI	W3330/36/42-PFG, W3330/36/42-ND	31 1/4"
SK3612MI	W3624/30/36/42-PFG, W3624/30/36/42-ND	34 1/4"

Wood Furniture Shelf

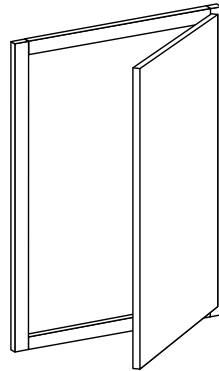
DESIGN TIP: Use a wood furniture shelf to finish the bottom of bridge cabinets where you will be able to see the underside of the cabinet. For example: Over a sink

WFS48
WFS4815



- 3/4" thick plywood color matched to cabinetry face frame
- Two long sides edgebanded

Cabinet Fronts Only (CFO)

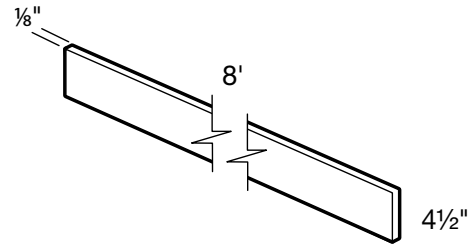


Most Wall cabinets can be ordered as "Cabinet Fronts Only". Face frame, doors, hinges and bumpers will be supplied and shipped loose.

Please consult CFO availability guide on page 60.

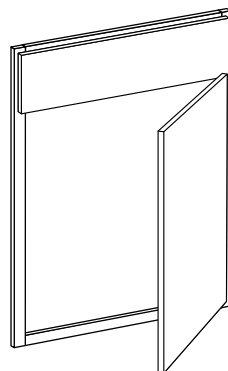
8' Finished Toe Kick – Matches Frame Color

MTK8



- 1/8" thick plywood finished with laminate color matched to cabinetry face frame
- Field modified and installed

Cabinet Fronts Only (CFO)



Most Base cabinets can be ordered as "Cabinet Fronts Only". Face frame, doors, drawer fronts, hinges, and bumpers will be supplied and shipped loose. In addition, plastic corner blocks will be supplied for false front installation requirements.

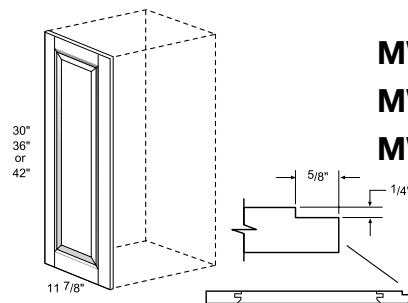
Please consult CFO availability guide on page 60.

Matching Wall End Panels

MWEP30

MWEP36

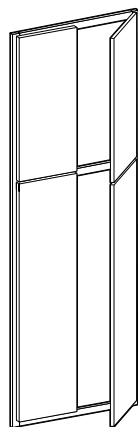
MWEP42



- 3/4" thick
- Field installation
- Panel is for Left or Right application & fits flush against cabinet sides

NOTE: Cannot be used in conjunction with Custom Depth Cabinets
NOTE: For **VVV**, **VVG** or **VVB** the matching panel will not be a flush application. Field adjustment to the side of the cabinet will be required

Cabinet Fronts Only (CFO)

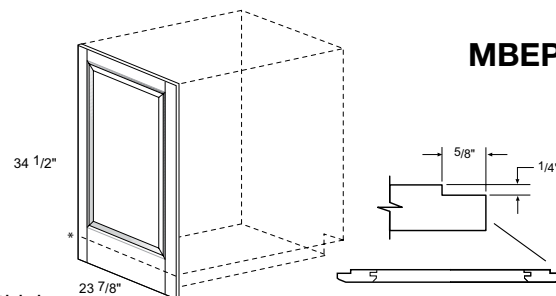


Most Tall cabinets can be ordered as "Cabinet Fronts Only". Face frame, doors, hinges and bumpers will be supplied and shipped loose.

Please consult CFO availability guide on page 60.

Matching Base End Panel

MBEP

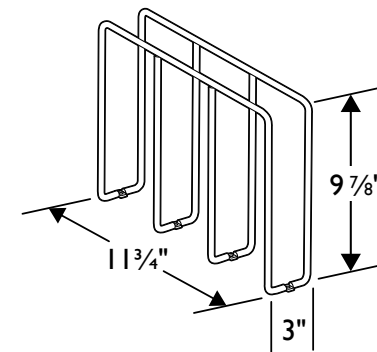


- 3/4" thick
- Field installation
- Panel is for Left or Right application & fits flush against cabinet sides

NOTE: Cannot be used in conjunction with Custom Depth Cabinets
NOTE: **VG**, **VW** or **VB** bottom rail is a 3" wide rail vs the 7 1/2" extended bottom rail

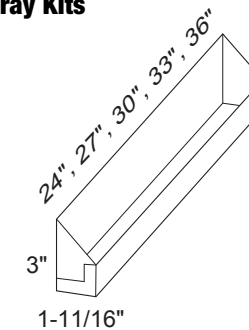
U-Shaped Tray Divider 3" - Chrome

USTD3-CR



- Bakeware Organizer
- Use 2 or more to organize cabinet
- Can be used in base or wall cabinet
- **Field installation with only 4 screws**

Tilt-out Tray Kits



SBTOTK24

SBTOTK27

SBTOTK30

SBTOTK33*

SBTOTK36*



PLAY

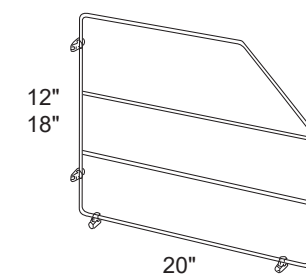
DESIGN TIP

- Kit attaches to sink base false drawer front to create tilt-out drawer
- Holds sponges, scouring pads, dish soaps, etc.
- Stainless steel construction
- Field installed prior to countertop
- * Two trays included to fit double false fronts

Tray Dividers

TD12CR

TD18CR

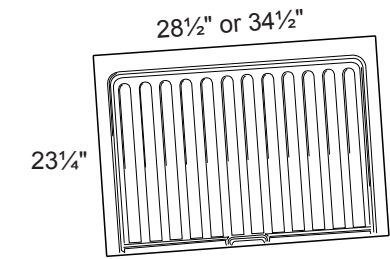


- Available in 12" & 18" heights
- Chrome finish
- Stores baking sheets, serving dishes, etc.
- Comes with 4 clips & fasteners
- Attaches to cabinet middle or bottom shelf
- Field installed
- Not for use in custom-depth cabinets

Sink Base Liner

SBL2730

SBL3336



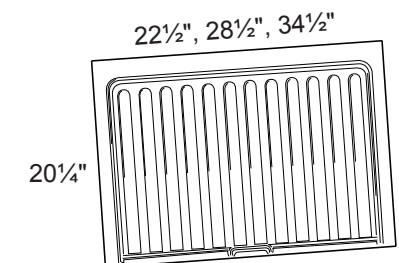
- Helps protect sink cabinet from damage due to leaks in piping or drains
- Sleek surface for easy cleanup
- SBL2730 can be trimmed to fit SB27 or SB30
- SBL3336 can be trimmed to fit SB33 or SB36
- Field installed
- Grey polystyrene easy to clean surface
- Not for use in custom-depth cabinetry

21" Deep Vanity Sink Base Liner

VSBL2124

VSBL2730

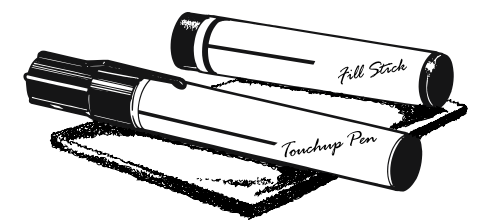
VSBL3336



- Helps protect sink cabinet from damage due to leaks in piping or drains
- VSBL2124 can be trimmed to fit VSB2121 or VSB2421
- VSBL2730 can be trimmed to fit VSB2721 or VSB3021
- VSBL3336 can be trimmed to fit VSB3321 or VSB3621
- Field installed
- Grey polystyrene easy to clean surface
- Not for use in custom-depth cabinetry

Touch-Up Kit

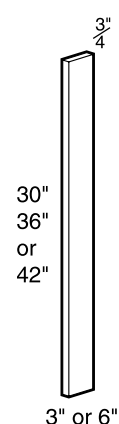
TUK



- Includes fill stick, touch-up pen, and 4 door bumpers

Accessories

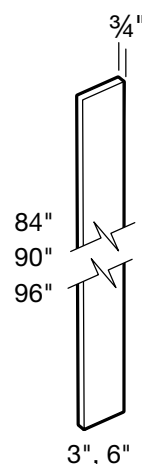
Filler Strips



FS30 FS630
FS36 FS636
FS42 FS642
FS84

- 3/4" thick MDF for Painted and Vinyl Finishes
- 3/4" thick solid wood for stained finishes
- Face and sides finished

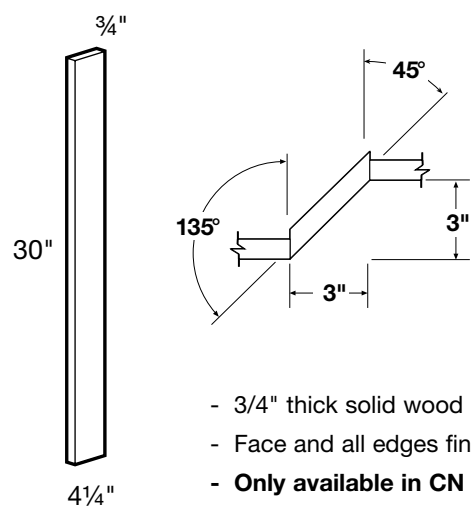
Tall Filler Strips



FS84
FS90
FS96
FS696

- 3/4" thick MDF for Painted and Vinyl Finishes
- 3/4" thick solid wood for stained finishes
- Face and sides finished

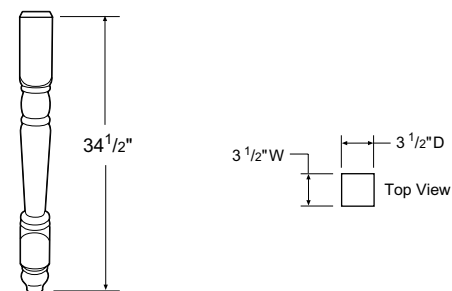
Angle Fillers



AF330
AF342

- 3/4" thick solid wood
- Face and all edges finished
- **Only available in CN and PW**

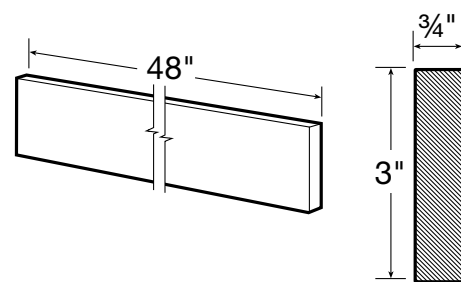
Spindle



SPL

- Solid hardwood
- Available in all styles except WVB, WVV and WVG

48" Valance

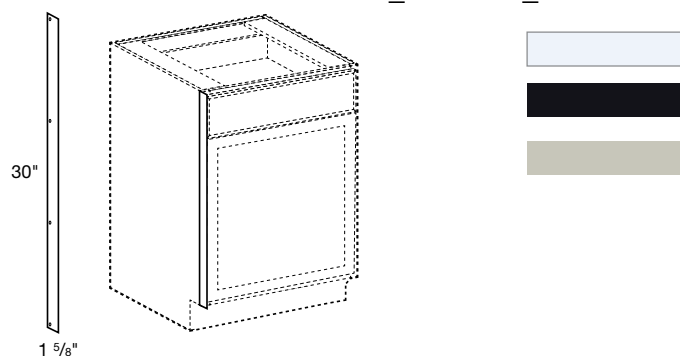


VA48

- 3/4" thick solid wood
- May be trimmed on each end

Heat Shield

HEAT_SHIELD_WHITE
HEAT_SHIELD_BLACK
HEAT_SHIELD_ALMOND

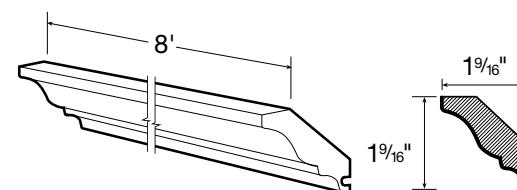


- Attaches to the cabinet face frame
- Available in White, Almond or Black
- Helps protect cabinet doors adjacent to ovens

Decorative Molding

Soffit Crown Molding

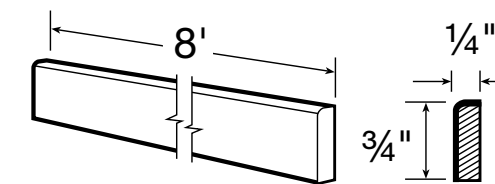
SCM8



- 3/4" thick solid wood
- Use with TMMS8 for top of cabinet installation
- **Available in all styles except WVB, WVV and WVG**

Scribe Molding

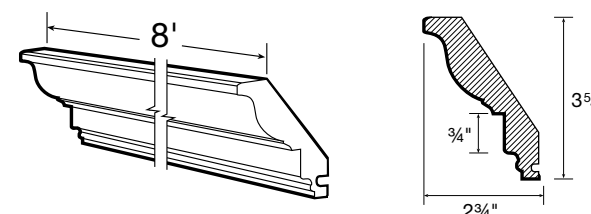
SM8



- 1/4" thick solid wood

Classic Crown Molding

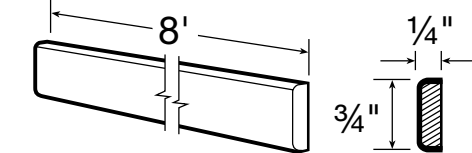
CCM8



- 3/4" thick solid wood
- Use with TMMS8 for top of cabinet installation
- **Only available in PW**

Batten Molding

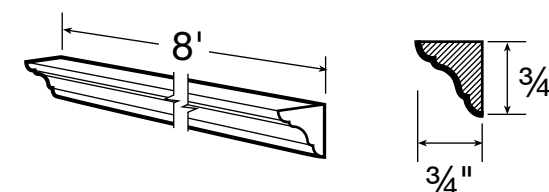
BM8



- 1/4" thick solid wood

Inside Corner Molding

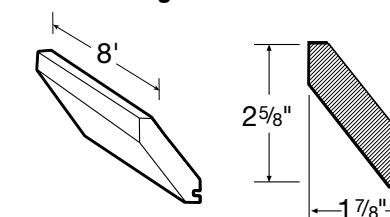
ICM8



- 3/4" thick solid wood

Angle Crown Molding

ACM8

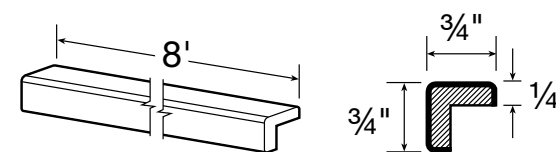


DESIGN TIP: When returning crown molding to the wall at the end of a run, allow at least 3" of wall space

- 3/4" thick solid wood
- Use with TMMS8 for top of cabinet installation
- **Available in all styles except WVB, WVV and WVG**

Outside Corner Molding

OSC8



- 3/4" thick solid wood

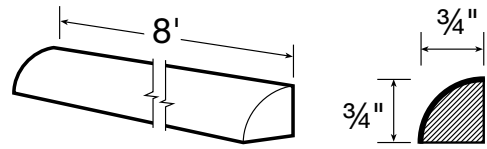


DESIGN TIP: When returning crown molding to the wall at the end of a run, allow at least 3" of wall space. This allows molding to return properly without interfering with doors or other obstacles.

NOTE: Thick dark lines indicate finished edges **NOTE:** All Decorative moldings ship in 8ft length

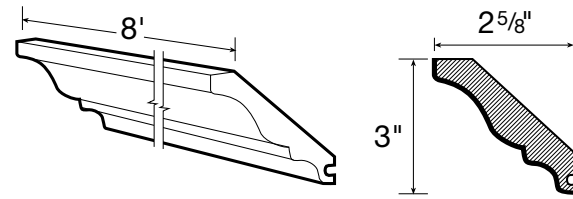
Decorative Molding

Quarter Round **QR8**



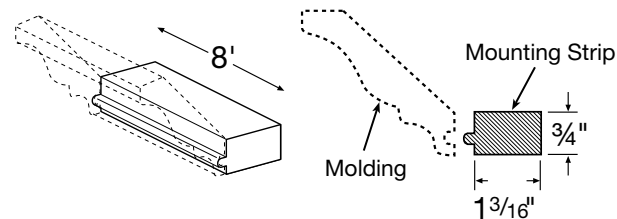
- 3/4" thick solid wood

Crown Molding **CM8**



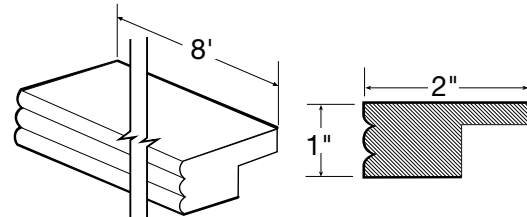
- 3/4" thick solid wood
 - Use with TMMS8 for top of cabinet installation
 - Available in all styles except WVB, WVV and WVG

Top Molding Mounting Strip **TMMS8**



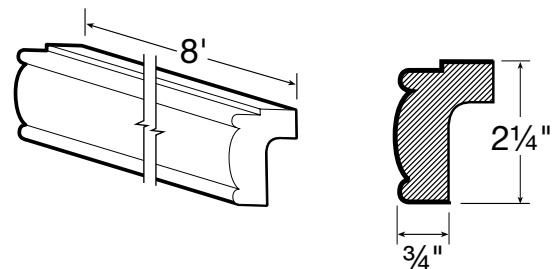
- 3/4" thick solid unfinished wood
 - Recommended for installation of ACM8, CM8, CCM8, SCM8 moldings

Beaded Light Rail **BLR8**



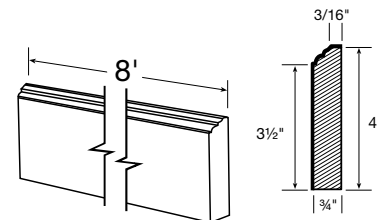
- 1" thick solid wood

Classic Light Rail **CLR8**



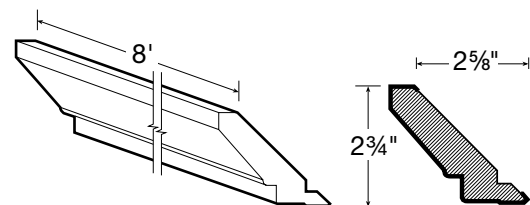
- 3/4" thick solid wood

Furniture Base Molding **FBM8**



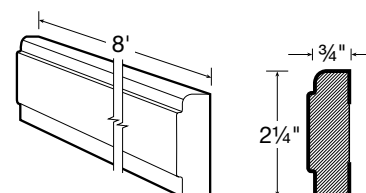
- 3/4" thick solid wood

Contemporary Crown Molding **CMV8**



- 3/4" solid vinyl wrapped MDF
 - Only available in WVB, WVV and WVG finishes
 - TMMS8 not required

Contemporary Light Rail **LRV8**



- 3/4" solid vinyl wrapped MDF
 - Only available in WVB, WVV and WVG finishes

Decorative Hardware



- Matte black

DH801-96MBL
4-1/4" Square Bar Pull
 3 3/4" center (96mm)

DH801-128MBL
5-1/2" Square Bar Pull
 5" center (128mm)

DH00801-17MBL
6-3/4" Square Bar Pull
 6-5/16" center (160mm)



- Brushed nickel

DH801-96BRN
4-1/4" Square Bar Pull
 3 3/4" center (96mm)

DH801-128BRN
5-1/2" Square Bar Pull
 5" center (128mm)

DH00801-17BRN
6-3/4" Square Bar Pull
 6-5/16" center (160mm)



- Champagne Bronze

DH873-96CHBR
4-1/4" Square Bar Pull
 3 3/4" center (96mm)

DH873-128CHBR
5-3/8" Square Bar Pull
 5" center (128mm)

DH873-160CHBR
6-3/4" Square Bar Pull
 6-5/16" center (160mm)



- Brushed nickel

DH5016-96BRN
5-3/8" Tubular Bar Pull
 3 3/4" center (96mm)

DH5016-128BRN
6-5/8" Tubular Bar Pull
 5" center (128mm)

DH5016-160BRN
7-7/8" Tubular Bar Pull
 6-5/16" center (160mm)



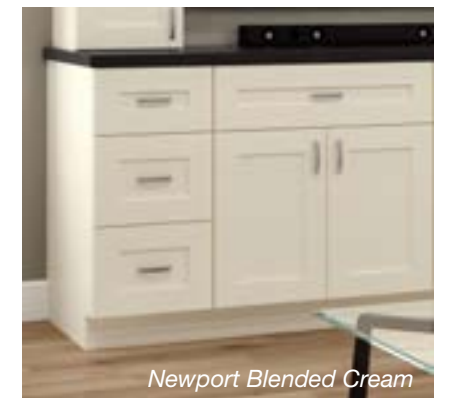
- Champagne Bronze

DH5016-96CHBR
5-3/8" Tubular Bar Pull
 3 3/4" center (96mm)

DH5016-128CHBR
6-5/8" Tubular Bar Pull
 5" center (128mm)

DH5016-160CHBR
7-7/8" Tubular Bar Pull
 6-5/16" center (160mm)

DESIGN TIP: When selecting hardware for your cabinetry keep in mind that some drawer fronts will not accept longer wider hardware options. We offer multiple widths to accommodate your needs.



Decorative Hardware



Newport Pacific White



- Euro railing pull
- Brushed nickel

DH45-100 - 6 15/16" Euro Pull
3-13/16" center (96mm)

DH45-102 - 10 3/4" Euro Pull
7-9/16" center (192mm)

DH45-104 - 14 7/8" Euro Pull*
11-3/4" center (298mm)

DESIGN TIP: Make sure to double check the length of drawer/door to ensure pull will fit the cabinet



DH99-188

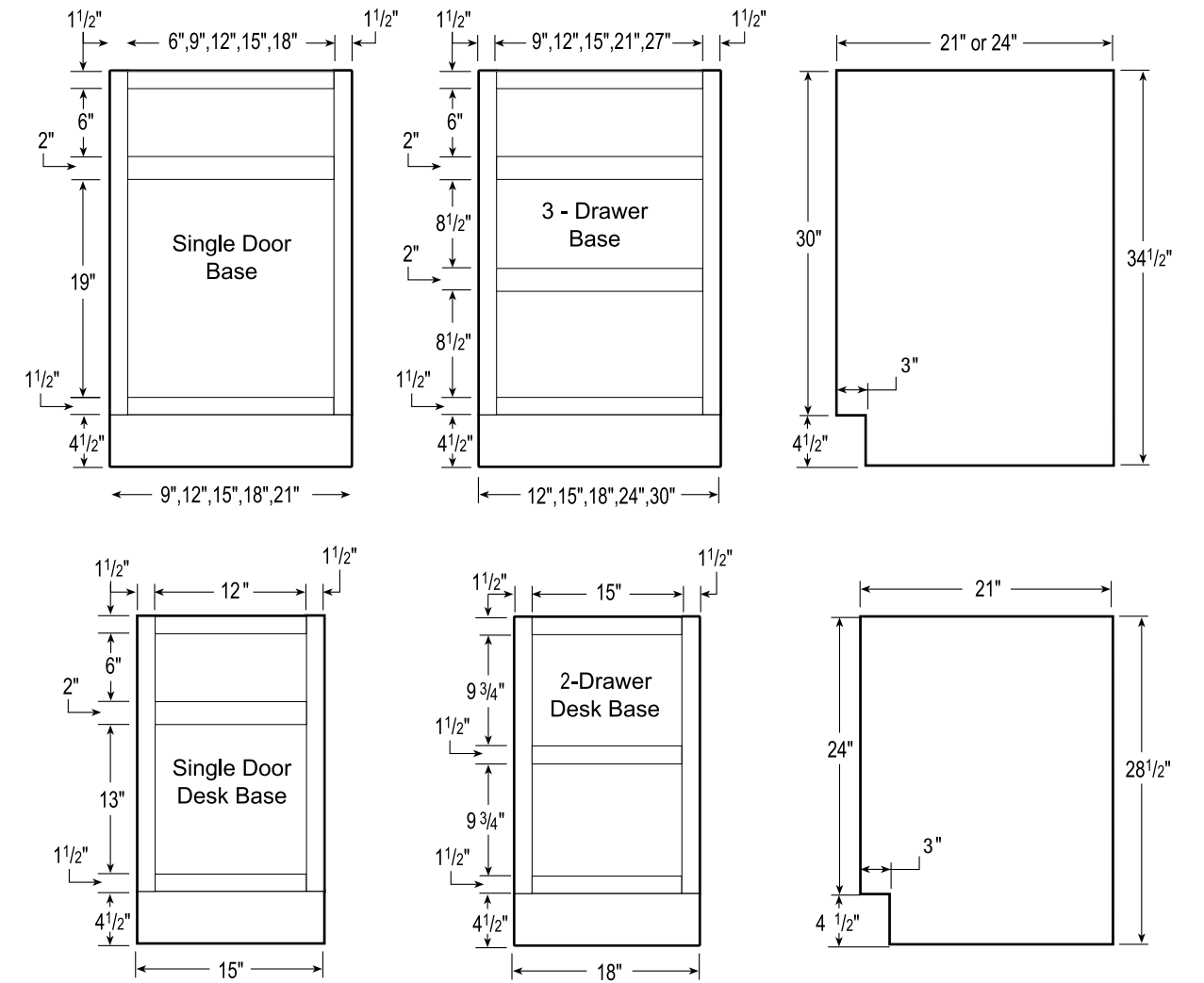
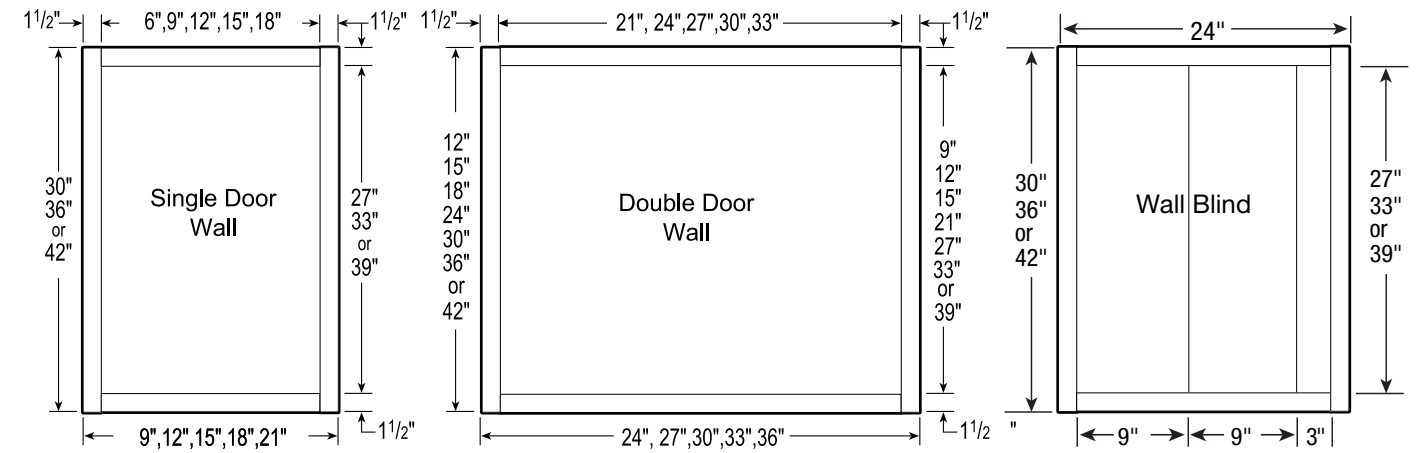
- Round knob
- Brushed nickel
- 1-1/4" diameter



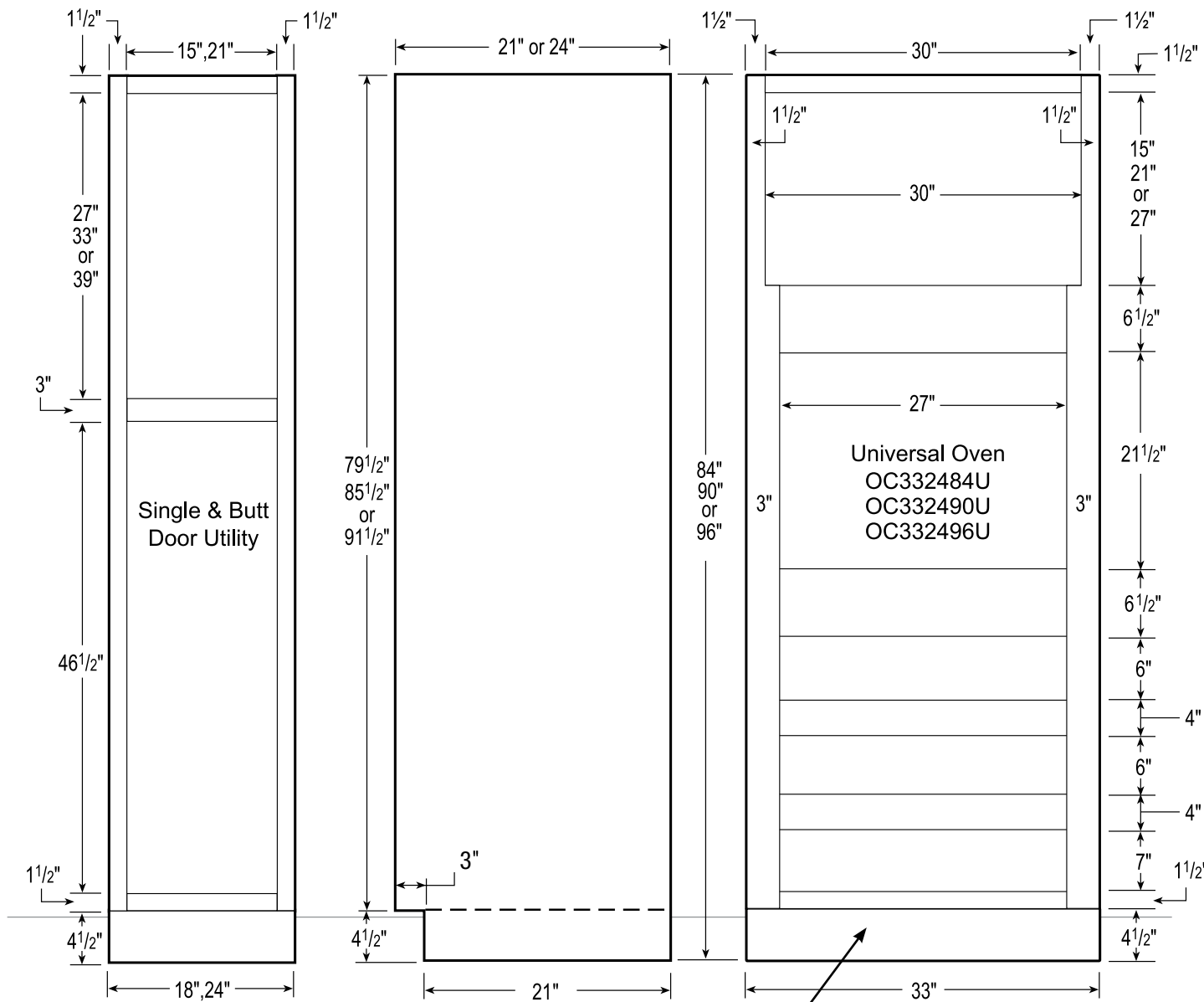
DH99-128

- Contemporary bow pull
- Brushed nickel
- 3-3/4" center (96mm)
- 5-1/4" outside length

Cabinet Frame & Opening Dimensions

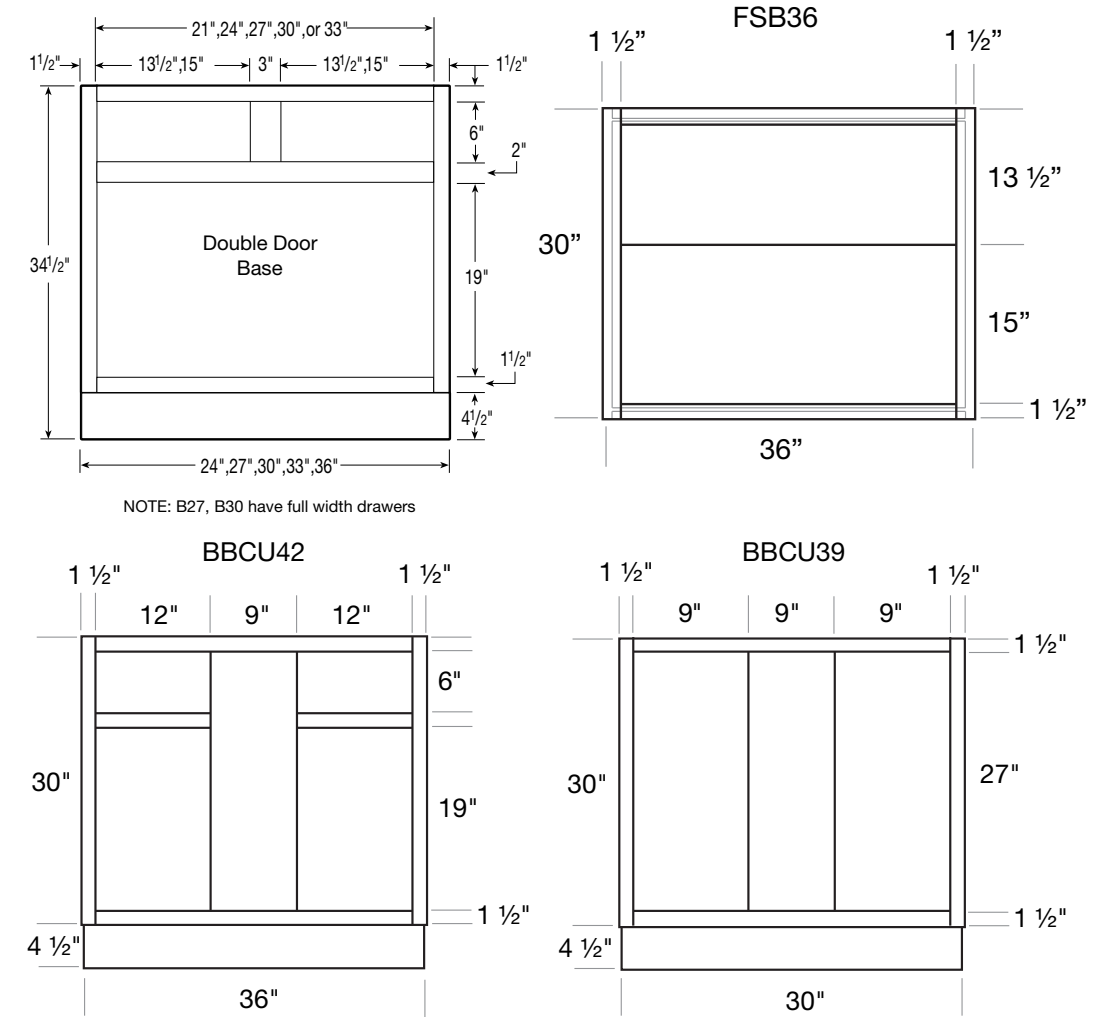


Cabinet Frame & Opening Dimensions



NOTE: 96" TALL CABINETS ARE SUPPLIED WITH LOOSE TOE KICK BOX (EXPOSED SIDES REQUIRE TSK96)

Cabinet Frame & Opening Dimensions



NOTE: B27, B30 have full width drawers

CABINET	DRAWER BOX INSIDE DIMENSIONS					
	SHALLOW DRAWER			DEEP DRAWER		
	HEIGHT	DEPTH	WIDTH	HEIGHT	DEPTH	WIDTH
B12, BD12	4-3/8"	19-11/16"	6-7/8"	6-3/4"	19-11/16"	6-7/8"
VB1221, VBD1221	4-3/8"	16-11/16"	6-7/8"	6-3/4"	16-11/16"	6-7/8"
B15, BBCU42, BD15	4-3/8"	19-11/16"	9-7/8"	6-3/4"	19-11/16"	9-7/8"
VB1521, VBD1521	4-3/8"	16-11/16"	9-7/8"	6-3/4"	16-11/16"	9-7/8"
DDO15	4-3/8"	16-11/16"	9-7/8"	N/A	N/A	N/A
B18, BD18	4-3/8"	19-11/16"	12-7/8"	6-3/4"	19-11/16"	12-7/8"
DDR18	N/A	N/A	N/A	6-3/4"	16-11/16"	12-7/8"
VB1821, VBD1821	4-3/8"	16-11/16"	12-7/8"	6-3/4"	16-11/16"	12-7/8"
B21	4-3/8"	19-11/16"	15-7/8"	N/A	N/A	N/A
B24, BD24	4-3/8"	19-11/16"	18-7/8"	6-3/4"	19-11/16"	18-7/8"
VB242, VBD2421	4-3/8"	16-11/16"	18-7/8"	N/A	N/A	N/A
B27	4-3/8"	19-11/16"	21-7/8"	N/A	N/A	N/A
B30, BD30	4-3/8"	19-11/16"	24-7/8"	6-3/4"	19-11/16"	24-7/8"
VB3021	4-3/8"	16-11/16"	24-7/8"	N/A	N/A	N/A
VBD30	4-3/8"	16-11/16"	24-7/8"	6-3/4"	16-11/16"	24-7/8"
B33	4-3/8"	19-11/16"	11-1/4"	N/A	N/A	N/A
B36, BD36	4-3/8"	19-11/16"	12-7/8"	6-3/4"	19-11/16"	30-7/8"
VB3621	4-3/8"	16-11/16"	12-7/8"	N/A	N/A	N/A
OC332484U, OC332490U, OC332496U	4-3/8"	19-11/16"	24-7/8"	N/A	N/A	N/A

HOME DECORATORS COLLECTION



Newport Mythic Blue

SEMI-CUSTOM KITCHEN & BATH CABINETS

Have Questions? Need Design Help?

 [HDCkitchens.com](https://www.HDCkitchens.com)  [HomerDesignTools.com](https://www.HomerDesignTools.com)  866-373-9131

Monday-Friday 9 A.M. to 8 P.M. EST | Saturday 9 A.M. to 6 P.M. EST

January 2023

Instant Kitchen Estimator



KCMA



CARB2 compliant



HDC-A_W-SPECBOOK-0123