



INSTALLATION INSTRUCTIONS & HOME OWNERS MANUAL

ECO 8 | ECO 11 | ECO 18 | ECO 24 | ECO 27 | ECO 36

IMPORTANT SAFETY INFORMATION

When installing or using any high voltage electrical appliance, basic safety precautions should always be followed. Under no circumstance should you attempt to clean, install, inspect, repair, disassemble or otherwise service this water heater, without first shutting off **all** power to the unit directly at the circuit breaker box. **SERIOUS BODILY INJURY OR DEATH COULD OCCUR IF YOU IGNORE THIS WARNING.**

THIS PRODUCT SHOULD BE INSTALLED BY A QUALIFIED ELECTRICIAN AND A QUALIFIED PLUMBER IN ACCORDANCE WITH ALL NATIONAL, STATE, PROVINCIAL AND LOCAL ELECTRICAL & PLUMBING CODES.

PLEASE READ THESE INSTRUCTIONS THOROUGHLY AND COMPLETELY PRIOR TO INSTALLATION & USE. FAILURE TO DO SO COULD CAUSE PROPERTY DAMAGE, SERIOUS INJURY, OR DEATH.

This manual should be given to the homeowner after installation and should be retained for future reference.



Tested and certified by the Water Quality Association against NSF/ANSI 372 for lead free compliance.

IMPORTANT SAFETY INFORMATION

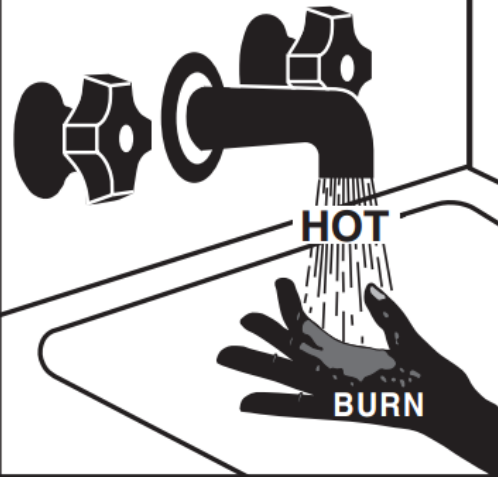
READ ALL INSTRUCTIONS BEFORE USING



DANGER! **WATER TEMPERATURE SAFETY SETTING**

Safety and energy conservation are factors to be considered when selecting the water temperature setting of water heater's thermostat. Water temperatures above the 125°F can cause severe burns or death from scalding. Be sure to read and follow the warnings outlined on the label pictured below. This label is also located on the water heater near the thermostat access panel.

! DANGER



Water temperature over 125°F can cause severe burns instantly or death from scalds.

Children, disabled and elderly are at highest risk of being scalded.

See instruction manual before setting temperature at water heater.

Feel water before bathing or showering.

Temperature limiting valves are available, see manual.

Time/Temperature Relationship in Scalds

Temperature	Time To Produce a Serious Burn
120°F	More than 5 minutes
125°F	1½ to 2 minutes
130°F	About 30 seconds
135°F	About 10 seconds
140°F	Less than 5 seconds
145°F	Less than 3 seconds
150°F	About 1½ seconds
155°F	About 1 second

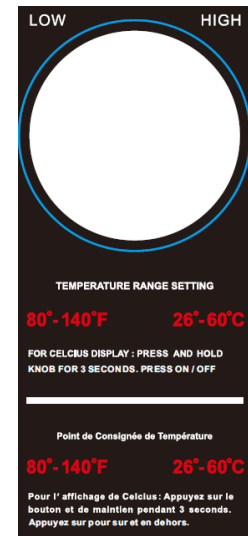
Table courtesy of Shriners Burn Institute

The chart shown above may be used as a guide in determining the proper water temperature for your home.



DANGER: Households with small children, disabled, or elderly persons may require a 120°F or lower thermostat setting to prevent contact with "HOT" water. The temperature of the water in the heater is regulated by the electronic control on the front of the water heater. To comply with safety regulations, the thermostat was set at 120°F before the water heater was shipped from the factory.

Please consult Section 10 to learn more about setting your heaters temperature. Rotate right for higher temperature (up to 140F) or rotate left for cooler temperature (as low as 80F) will be displayed on the screen above the knob.



Notice: Mixing valves are recommended for reducing point of use water temperature by mixing hot and cold water in branch water lines. It is recommended that a mixing valve complying with the Standard for Temperature Actuated Mixing Valves for Hot Water Distribution Systems, ASSE 1017 be installed.

ABOUT YOUR TANKLESS WATER HEATER

Congratulations on the purchase of your Electric Tankless Water Heater! You have purchased the most technologically-advanced electric tankless water heater on the market today.

Your new electric tankless water heater features advanced water flow rate and temperature sensors designed to modulate power to the heating elements to maintain a precise user-selected output water temperature between 80°F and 140°F (subject to incoming water temperature and power of the selected model).

To get the best performance and energy savings from your electric tankless water heater, it is important that it be installed in accordance with our instructions and the electrical and plumbing codes applicable to your area, and that you read this manual thoroughly for important operating instructions and tips.

If you have questions at any time, please contact us directly at:

EcoSmart Green Energy Products
400 Captain Neville Drive, Waterbury, CT 06705
Toll Free: 1-877-474-6473
Support@EcoSmartUS.com

CONTENTS

1. BEFORE INSTALLATION
2. SELECTING A LOCATION TO INSTALL
3. MOUNTING YOUR WATER HEATER
4. PLUMBING INSTALLATION
5. ELECTRICAL INSTALLATION
6. SIZING GUIDE
7. GENERAL OPERATING INSTRUCTIONS
8. MAINTENANCE
9. TROUBLE SHOOTING GUIDE
10. USER INTERFACE

1- BEFORE INSTALLATION

PLEASE READ THESE INSTRUCTIONS THOROUGHLY AND COMPLETELY PRIOR TO INSTALLATION & USE. FAILURE TO FOLLOW INSTRUCTIONS COULD CAUSE PROPERTY DAMAGE, SERIOUS PERSONAL INJURY, OR DEATH.

By installing this product, you acknowledge the terms of the manufacturer's warranty. Once the heater is installed, do not return product to the place of purchase. If you have any questions regarding the warranty or product return policies, please contact EcoSmart at 1-877-474-6473.

Inspect all components. The contents of your box should include one of the following units:

- ECO 8
- ECO 11
- ECO 18
- ECO 24
- ECO 27
- ECO 36

4- PLUMBING INSTALLATION

Please follow all plumbing instructions carefully. We recommend that this product be installed by a licensed and qualified plumber in accordance with all applicable national, state, provincial, and local plumbing codes.

Installation Instructions

STEP 1: Connect the HOT WATER line to the water heater OUTLET located on the left side of the heater when facing unit. Connect the COLD WATER line to the water heater marked INLET on the right side when facing unit.

STEP 2: After tightening both fittings at the water heater, open several hot water faucets and allow water to run through the water heater for at least 2 to 3 minutes. This process purges all the air from the water lines and MUST be performed prior to turning on the power at the unit. FAILURE TO FOLLOW THIS STEP CAN CAUSE PERMANENT DAMAGE TO THE HEATING ELEMENTS. If any maintenance is performed on the water heater or the home's plumbing system that may introduce air into the plumbing pipes, it is important to turn the power off to the water heater and purge the air out of the lines before allowing the unit to power up.

STEP 3: Carefully inspect all connections, unions, and the pressure relief valve (if installed) for leaks.

IMPORTANT NOTES:

1. Do not solder any pipes with unit connected to pipes – heat from soldering may damage the flow sensor. Doing so will void the warranty.
2. This automatic tankless water heater is equipped with both computer-controlled and electro-mechanical auto resetting thermostat switches for high-limited temperature protection. Since this product does not use a storage tank, the use of a temperature pressure relief valve (T&P) is not required for most installations. UL Standard 499 does NOT require that a pressure relief valve be used. However, a T&P valve may be required to meet installation codes in your area. If one is required, install the pressure relief valve in accordance with local codes and ensure that it operates correctly and that air is purged from the valve prior to installing the water heater. When connecting to Flex or High Temperature CPVC pipe, we recommend that a T&P valve be used for added safety.
Please note: Installations in the Commonwealth of Massachusetts and State of Kentucky require a pressure relief valve. Please check your local installation codes for any special requirements.
3. The maximum operating water pressure is 150 PSI. If the water pressure is higher, a pressure reducing valve must be installed on the main incoming water supply line prior to installing the electric tankless water heater.
4. Flexible water heater hoses are recommended to be used with your water heater as part of the installation. When connecting the inlet water pipe to the unit, make sure to use a wrench to hold the unit's connection, and another wrench to tighten, so that the flow sensor on the unit will not be loosened or damaged. Serious internal damage to the water heater can occur if the inlet or outlet connections are over tightened or if solder connections were made.
5. We recommend that a manual shut-off valve (ball valve) is installed on the inlet and outlet of the water heater so that there is a convenient shut-off point available in the event that future maintenance or servicing is required. It is extremely important to flush the lines to eliminate all plumbing paste or residue in the lines caused by any welding or soldering before connecting pipes to the water heater.

We recommend that all the water pipes or hoses within 3 feet of the inlet and outlet connections be rated for high temperature applications with a 150°F minimum.

5- ELECTRICAL INSTALLATION

EcoSmart recommends that this product be installed by a licensed and qualified electrician in accordance with all applicable national, state, provincial, and local electrical codes. As with all electrical appliances, under no circumstances should you attempt to install, repair or disassemble this water heater without first shutting off all power to the unit directly at the fuse or breaker box. **Make sure to shut off all breakers. SERIOUS BODILY INJURY OR DEATH COULD OCCUR IF YOU IGNORE THIS WARNING.**

All wiring (wire gauge) and circuit protection (breakers) must comply with the U.S. National Electrical Code (NEC) in the USA, or the Canadian Electrical Code (CEC) in Canada. Failure to do so could result in property damage and/or personal injury, and void your warranty. Note: The Canadian Electrical Code generally requires that all supply wires and corresponding circuit protection used for domestic hot water heating and hydronic heating applications be sized to a minimum of 125% of the maximum current rating of the heater (see model specifications below for details).

Before installing this product, ensure that the home has sufficient electrical power available to handle the maximum amperage load of the applicable model.

IMPORTANT NOTES:

Model ECO 8 and ECO 11 require 1 set of wire and ground (**see wiring diagram**)

Model ECO 18 requires 2 sets of wire and ground (**see wiring diagram**)

Model ECO 24 and ECO 27 require 3 sets of wire and ground (**see wiring diagram**)

Model ECO 36 requires 4 sets of wire and ground (**see wiring diagram**)

Please see electrical specifications by model and wiring diagram on the next page for additional electrical information.

Each set of wires must be connected to its own individual double pole breaker.

Installation Instructions

STEP 1: Take each wire pair and connect them to one breaker (see wiring diagram). Make sure that each breaker is connected with one black wire and one red wire

STEP 2: Using a suitable wire gauge that meets all applicable electrical codes for the size of the breakers used, run the correct sets of wire from the home's main breaker panel to the tankless water heater.

STEP 3: A separate ground conductor for each incoming circuit is required.

STEP 4: DOUBLE CHECK the electrical connections to make sure they are correct and that all wire connections are tight and secure. Also confirm that the correct breaker size and wire gauge has been used and confirm that the unit has been connected to a ground in accordance with applicable codes.

STEP 5: Confirm that all the air has been purged from the water lines prior to turning on power to the unit. Refer to STEP 2 in the plumbing installation section.

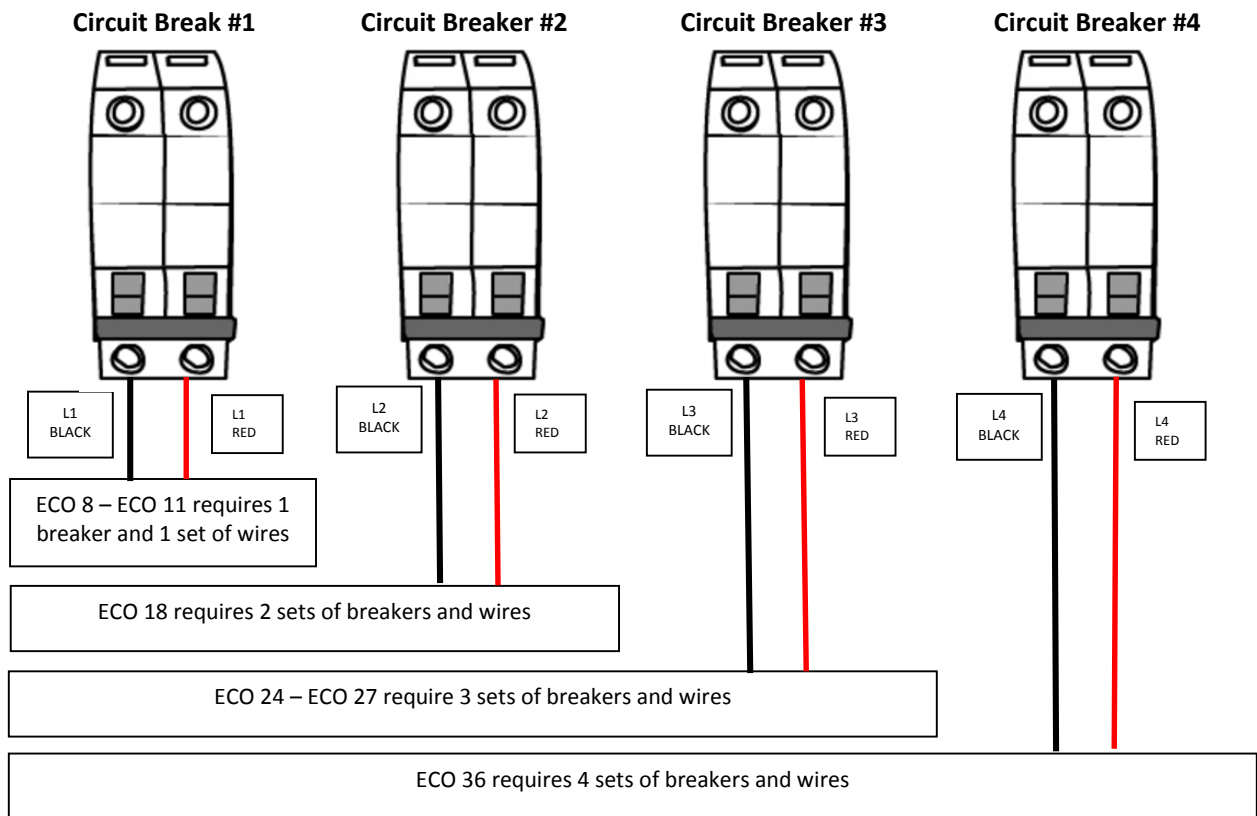
CAUTION: Ensure that you have made the correct connections. You must follow the wire connection as shown to ensure proper operation of the unit. If you mix up one set of wires with another, the unit will not operate correctly even though it turns on and otherwise appears to function properly.

The water heater is now installed and ready to use! Follow the General Operating Instructions to complete the setup. We highly recommend that this is done with the homeowner present.

Electrical Specifications by Model

MODELS	ECO 8	ECO11	ECO 18	ECO 24	ECO 27	ECO 36
ELEMENTS	1	2	2	3	3	4
VOLTAGE	240 V	240 V	240 V	240 V	240 V	240 V
MAX kW	8 kW	13 kW	18 kW	24 kW	27 kW	36 kW
KW PER ELEMENT	8 kW	6.5 kW	9 kW	8 kW	9 kW	9 kW
MAX AMPERAGE DRAW	33 AMPS	54 AMPS	75 AMPS	100 AMPS	112.5 AMPS	150 AMPS
REQUIRED BREAKERS	1 x 40 AMP	1 X 60 AMP	2 X 40 AMP	3 x 40 AMP	3 X 40 AMP	4 X 40 AMP
REQUIRED WIRE GAUGE	1 x 8 AWG	1 x 6 AWG	2 X 8 AWG	3 x 8 AWG	3 X 8 AWG	4 X 8 AWG

Wiring Diagram



208V Jumper Setting

When using 208V service for these units instead of 240V you must change the jumper setting to ensure proper unit functionality. Using a 208V service will give you 75% capacity. There are two different types of control boards: Thru Hole and Surface Mount. For assistance determining control board type, please visit EcoSmartUS.com

Model	ECO 8	ECO 11	ECO 18	ECO 24	ECO 27	ECO 36
New Jumper Setting (Thru Hole)	8	8	5.5	5.5	5.5	7
New Jumper Setting (Surface Mount)	8	7	7	5.5	7	7

6- SIZING GUIDE

Please use the chart below to see how many gallons per minute your tankless water heater can produce with your incoming water temperature. The gallons per minute is calculated assuming 105°F outlet temperature.

Incoming Water Temperature	ECO 8	ECO 11	ECO 18	ECO 24	ECO 27	ECO 36
40°F	0.8	1.4	1.9	2.5	2.8	3.8
45°F	0.9	1.5	2.0	2.7	3.1	4.1
50°F	1.0	1.6	2.2	3.0	3.4	4.5
55°F	1.1	1.8	2.5	3.3	3.7	4.9
60°F	1.2	2.0	2.7	3.6	4.1	5.5
65°F	1.4	2.2	3.1	4.1	4.6	6.1
70°F	1.6	2.5	3.5	4.7	5.3	7.0
75°F	1.8	3.0	4.1	5.5	6.1	8.2
80°F	2.2	3.6	4.9	6.6	7.4	9.8

(Gallons per Minute)

FLOW REGULATOR – OPTIONAL

To ensure the optimal temperature output and overall performance of your tankless water heater you may require a flow regulator. These flow regulators are installed on the outlet connection of your tankless water heater and limit the maximum volume coming out of your unit to a specified flow rate to prevent the exit temperature from becoming too cool. To learn more about flow regulators or find out how to purchase one for your tankless water heater visit us online at EcoSmartUS.com or contact us at 1-877-474-6473.

Steps for Choosing a Flow Regulator

1. Find your model in the chart on the left
2. Choose the column with the inlet water temperature closest to your geographical location
3. Take the GPM or gallons per minute you find and match it with the corresponding flow regulator on the right

	Inlet Water Temperature				EcoSmart Part Number	Maximum Flow Rate	Connection Size
	40°F	50°F	60°F	70°F			
ECO 8	1.0	1.0	1.0	1.5	ECO IFR 1-2	1.0 GPM	1/2" Compression
ECO 11	1.0	1.0	1.5	2.0		1.5 GPM	1/2" Compression
ECO 18	2.0	2.0	2.0	3.0		2.0 GPM	1/2" Compression
ECO 24	2.0	2.0	3.0	4.0	ECO IFR 3-4	2.0 GPM	3/4" NPT
ECO 27	2.0	3.0	4.0	5.0		3.0 GPM	3/4" NPT
ECO 36	3.0	4.0	5.0	5.0		4.0 GPM	3/4" NPT
						5.0 GPM	3/4" NPT

*Selection based on inlet temperature above and outlet temperature of 105°F

7- GENERAL OPERATING INSTRUCTIONS

Operating your new tankless water heater is similar to using any traditional water heating system. However, it is very important that you carefully read all of the setup procedures and operating instructions and tips to ensure the maximum performance and energy savings from your new water heater. We recommend that all members of the household read these General Operating Instructions.

How your new water heater works: Your tankless water heater does not store hot water like a conventional tank-type water heater. It contains high powered heating elements that are capable of heating water on-demand. As soon as you turn on a hot water faucet, a sophisticated flow sensor recognizes that you have turned on the water. This sensor measures flow rate while another sensor measures the incoming water temperature. This information is transmitted continually to the computer logic controls which decide how much power to send to the heating elements to heat the water to your desired temperature. Once the water faucet is turned off your water heater will turn off as well.

8- MAINTENANCE

To ensure maximum performance of your water heater and to reduce the risk of a water leak, we recommend the following maintenance:

Inspect the connections on the inlet and outlet of the water heater at least on an annual basis for any signs of damage or failure. Any signs of damage, cracks, leakage or weakness should be addressed. Take care not to over tighten the connections. Serious internal damage to your water heater can occur if you over tighten the water heater connections at the unit.

IMPORTANT NOTES:

As with all electrical appliances, under no circumstances should you attempt to install, repair or disassemble this water heater without first shutting off all power to the unit directly at the fuse or breaker box. **SERIOUS BODILY INJURY OR DEATH COULD OCCUR IF YOU IGNORE THIS WARNING.**

When any maintenance is performed on the water heater or the home's plumbing system that may introduce air into the plumbing pipes, it is important to turn the power off to the water heater and purge the air out of the lines before allowing the unit to power up. **FAILURE TO DO SO COULD CAUSE PERMANENT DAMAGE TO THE HEATING ELEMENT AND VOID YOUR WARRANTY.**

If you have a water supply with a high level of mineralization (hard water), you should increase the frequency of your maintenance.

9- TROUBLE SHOOTING GUIDE

Are you having problems with your water heater?

Please call or email our customer service and technical support team for any help you may need.

TOLL FREE 1-877-474-6473

support@ecosmartUS.com

The following table represents some of the most common technical support questions we receive. Before calling us, please read thoroughly to see if your question or problem is addressed.

PROBLEM	POSSIBLE CAUSE	SOLUTION
Water heater is not heating at all (water is flowing but the unit is not heating - the outgoing water temperature is the same as the cold water supply) - the digital display does NOT light up.	No power or incorrect wiring.	Make sure the breakers at main electrical panel are ON. You may have a faulty breaker or unit may be wired incorrectly.
	Flow rate is too low / water pressure is too low.	Your water heater has an activation flow rate of approximately 0.3 GPM. If your water flow rate is less than this level, your unit will not activate. Increase the flow rate.
Water heater is not heating at all (water is flowing but the unit is not heating - the outgoing water temperature is the same as the cold water supply) The digital display DOES light up.	Internal part failure.	Please call us for technical assistance.
Water heater is heating, but the water temperature is not hot enough.	User temperature setting too low.	Turn up the temperature setting on the unit.
	Flow rate is too high.	Depending on your incoming water temperature and the power output of your model, your water flow rate may exceed the physical heating capacity of your water heater. Reduce the flow rate by installing an EcoSmart Flow Regulator. Use the chart in section 6 to find out which flow regulator works best for your particular model.
	Crossed wires.	If it's a new installation, have your electrician double check the wiring. Is possible that the wiring is incorrect.
	Voltage less than 240 volts.	The heating elements on your water heater are design for 240 volts. When used with a lower voltage, they produce less heating power. You may need to upgrade to a larger model.
	Mixing too much cold water.	You do not need to mix as much cold water with your tankless water heater compared to when you use a conventional water heater. You may also have an anti-scald feature on your faucet that is mixing cold water. These types of faucets can usually be adjusted to reduce the amount of cold water mixed.
The water temperature at the faucet is less than the temperature setting of my water heater.	Voltage less than 240 volts.	The computer chips in your tankless water heater are programmed with the expectation that your incoming line voltage is 240 volts. If you have less than 240 volts, it may affect the reading on your water heater's digital display and cause it to read slightly higher than the actual output temperature. To compensate for this, increase the setting on your water heater if you need / want hotter water.
	Anti-Scald pressure/balancing valve or tempering valve.	Your faucet may have an anti-scald feature or a tempering valve that automatically mixes cold water even when you turn your control lever or handle to full hot. These devices are usually adjustable so you can turn off the cold mix completely. You can compensate for this by increasing the setting on your water heater if you need/want hotter water.
	Thermal loss due to long pipe run	As the hot water from the heater runs through the hot water delivery system to your faucet, some heat will be lost especially if it has long distance to travel or the pipes are cold. This is normal. You can compensate for this by increasing the setting on your water heater if you need/want hotter water.

10- USER INTERFACE

Power

- Click adjustment knob, the display will turn on
- Click the adjustment knob again, the display will turn off

C/F Conversion

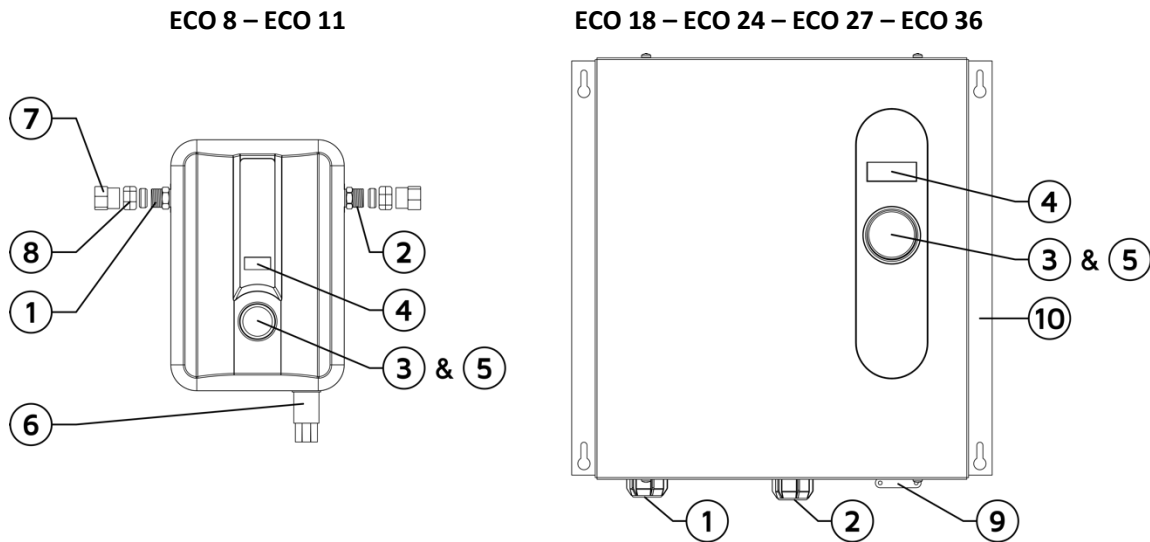
- Press the adjustment knob for 3 seconds, the display will change from Fahrenheit to Celsius or vice versa

Temperature Control

- Turning the knob clockwise increases the set output water temperature
- Turning the knob counter clockwise decreases the set output water temperature
- You can set or adjust the temperature at any time between 80°F – 140°F (27°C – 60°C). The temperature can be changed to your desired setting. The display will only stay on when the unit is in use or when you are setting the temperature.

CAUTION: Removing the cover to change the temperature set point exposes electrical shock and burn hazards, which can cause INJURY or DEATH. Adjustment should only be done by a licensed plumber or electrician.

DANGER: Hotter water increases the potential for Hot Water SCALDS.



1. Hot Water Outlet
2. Cold Water Inlet
3. Celsius/Fahrenheit Conversion (Press & Hold 3 sec.)
4. Temperature Set Point Display

5. Adjustment Knob & Temperature Control
6. Wire Connection
7. Brass Compression Nut
8. Brass Compression Ferrule

9. Electrical Strain Relief
10. Mounting Bracket (1")

Model Number	Height	Width	Depth	Pipe Centers Distance
ECO 8	11 1/2 inches	8 inches	3 3/4 inches	-
ECO 11	11 1/2 inches	8 inches	3 3/4 inches	-
ECO 18	17 inches	14 inches	3 3/4 inches	5 7/8 inches
ECO 24	17 inches	17 inches	3 3/4 inches	5 7/8 inches
ECO 27	17 inches	17 inches	3 3/4 inches	5 7/8 inches
ECO 36	17 inches	21 inches	3 3/4 inches	9 13/16 inches

ECOSMART GREEN ENERGY PRODUCTS

MANUFACTURERS WARRANTY MAINLAND USA and CANADA- LIMITED LIFETIME OUTSIDE MAINLAND USA – 5 YEARS

1. **PRODUCT WARRANTY:** EcoSmart Green Energy Products warrants to the original purchaser at the original address or the authorized transferee of such purchaser (collectively, the “Buyer”) EcoSmart Tankless Water Heater and its components to be free from defects in materials and workmanship, under normal use and service from the date of installation, provided that the Product is installed within thirty (30) days from date of receipt and installed by a licensed electrician and plumber (specific proof required) and maintained in accordance with Products written instructions. The Product Warranty will be in effect upon receipt of the Warranty Registration by EcoSmart U.S. offices. The Warranty Registration is included in the Operating and Maintenance Manual supplied with each new product and must be fully completed and submitted via fax, mail or website within (30) days of receipt of Product. Incomplete Warranty Registrations will not be accepted. Product Warranties are void without receipt of Warranty Registration within (30) days of receipt of Product.

SUCH WARRANTIES DO NOT COVER:

- Product failure caused by liming, sediment buildup, chemical corrosion, chlorine/chloride corrosion, or freezing.
- Product failure caused by the failure to remove air from system prior to or during operation.
- Product misuse, tampering or misapplication, accidental damage, improper installation or the application of improper voltage.
- Costs incurred for shipping, delivery, handling and/or administrative charges.
- Labor charges of any kind.

THE FOREGOING WARRANTIES ARE EXCLUSIVE AND IN LIEU OF ANY OTHER WARRANTY, EXPRESSED OR IMPLIED, INCLUDING BUT NOT LIMITED TO ANY IMPLIED WARRANTY OF MERCHANTABILITY OR FITNESS FOR A PARTICULAR PURPOSE OR PATENT OR OTHER INTELLECTUAL PROPERTY RIGHT INFRINGEMENT.

2. **LIMITATION OF REMEDIES AND DAMAGES:** EcoSmart Green Energy Products liability and Buyer’s exclusive remedy hereunder will be limited solely to repair or replacement of Product under Warranty by EcoSmart Service Center with respect to any claim made within the applicable Warranty. EcoSmart Green Energy Products reserves the right to accept or reject any such claim in whole or in part. EcoSmart Green Energy Products will not accept the return of any product without prior written approval from EcoSmart Service Center and the issuance of a Return Merchandise Authorization Number clearly marked on the outside packaging of the return shipment. ECOSMART GREEN ENERGY PRODUCTS WILL NOT BE LIABLE, UNDER ANY CIRCUMSTANCES, FOR CONSEQUENTIAL OR INCIDENTAL DAMAGES, INCLUDING BUT NOT LIMITED TO LABOR COSTS OR LOST PROFITS RESULTING FROM THE USE OF (OR INABILITY TO USE) THE PRODUCTS OR FROM THE PRODUCTS BEING INCORPORATED IN OR BECOMING A COMPONENT OF ANY OTHER PRODUCT OR GOODS.

3. **WARRANTY REGISTRATION:** To be covered under the EcoSmart Green Energy Products Manufacturer’s Limited Lifetime Warranty Buyer must register product within thirty (30) calendar days of receipt of Product using the Warranty Registration Card included with the Product, this Warranty may be submitted via mail to ECOSMART GREEN ENERGY PRODUCTS LOCATED AT **400 Captain Neville Drive, Waterbury, CT, 06705**. THIS IS A LIMITED LIFETIME MANUFACTURER’S WARRANTY THAT CONVEYS BENEFITS TO THE ORIGINAL PURCHASERS, SUBJECT TO THE TERMS AND CONDITIONS SET FORTH HEREIN. Keep Product documents in a safe and secure location. Buyer obligation under the terms of purchase and sale require that Warranty Registration must be returned within the prescribed timeframe (within 30 calendar days) and retain all proof of purchase, installer receipts for Warranty in order to protect Buyer’s rights and obtain Manufacturer’s Limited Lifetime Warranty benefits. The Warranty resides with the Buyer with proof of purchase; not simply with an individual in possession of a Product. If the Product is to be installed in new construction at a date later than 30 days from the date of receipt, send further information in advance of thirty (30) day deadline when known so we may update your Warranty record.

4. **FURTHER LIMITATIONS AND EXCLUSIONS AFFECTING YOUR WARRANTY:** This warranty is void if the Product is not installed in accordance with relevant, local electrical and plumbing codes and in accordance with the installation

instructions specified by the manufacturer. Local codes will override manufacturer's instructions at the time of installation and if additional installation parts are required, the costs will be the responsibility of Buyer. Above ground level installations must be protected with drip pans and drains just as the codes call for protective requirements used in regular hot water tank installations. Buyer hereby accepts the entire responsibility for ascertaining whether they have sufficient electrical power at their residence to operate our Electric Tankless Water Heaters as indicated in our specifications which are readily available at our website (WWW.ECOSMARTUS.COM), in our brochures and contained in the shipping box for installers to read before installations. If, within (30) days of purchase and prior to installation, the Buyer finds that the purchased unit is not suitable for their demands Buyer must return the unit to the EcoSmart office. Buyer is responsible for any charges that may be incurred to complete the return. A Buyer is eligible for a full refund or credit ONLY if the returned unit is received by EcoSmart within thirty (30) calendar days of receipt AND has been inspected by EcoSmart and found to be in the same condition as when purchased. Only when these two conditions are met will a Buyer receive a refund or replacement unit. EcoSmart Green Energy Products will not accept the return of any product without prior written approval from EcoSmart Green Energy Products and the issuance of a Return Merchandise Authorization Number clearly marked on the outside packaging of the return shipment.

AFTER (30) CALENDAR DAYS FROM RECEIPT OF PRODUCT THERE WILL BE NO RETURNS OR WARRANTY WITHOUT RECEIPT OF WARRANTY REGISTRATION BY ECOSMART US. BUYER ACCEPTS ALL SALES AS FINAL. ANY ALTERATION TO THE PRODUCT VOIDS ALL WARRANTIES. ECOSMART GREEN ENERGY PRODUCTS IS NOT RESPONSIBLE FOR ANY OTHER CHARGE OR EXPENSE INCURRED, OTHER THAN THE ORIGINAL PURCHASE PRICE OF THE PRODUCT. ECOSMART GREEN ENERGY PRODUCTS shall not be liable for consequential, special, incidental or contingent expenses or damages arising directly or indirectly from any defect in or of the Product; nor will EcoSmart Green Energy Products be liable for any water damage arising directly or indirectly from the use of the Product or from the failure of or defect in any component part or connecting plumbing. EcoSmart Green Energy Products and Buyer agree to the above terms in their entirety and accept all sales as final without recourse to a credit card company or other financial institution and hereby agree to stipulations and specifications defined within Manufacturer's Limited Lifetime Warranty.

5. Warranty Procedure for service: Have a licensed electrician determine the exact issue that requires repair. Please note that technical support is available for qualified technicians only (licensed electricians and/or plumbers). Technical support that involves potentially dangerous electrical conditions is not available to unqualified persons. When contacting EcoSmart Service Center, please be sure that the technician has a copy of the original Warranty Registration and has reviewed the "Homeowners and Installation Manual" that was supplied with the Product. EcoSmart Technical Assistance, at its sole discretion, will determine the best method for repair. Methods of repair include, but are not limited to, replacement of specific part of Product or replacement of whole unit. If a whole unit requires replacement under the terms of this Manufacturer's Warranty, the original unit must be returned to the ECOSMART office. Buyer must secure the cost of return delivery and replacement unit with a valid U.S. credit card. Credit Card Authorization Forms are available upon request. If the replaced unit arrives at the EcoSmart office within ten (10) calendar days of shipment of new unit and is found to comply within the specifications of this Manufacturer's Warranty then the credit card will not be charged, otherwise, Buyer will be charged amount of replacement unit and shipment cost as agreed upon within Credit Card Authorization Form. If EcoSmart Technical Assistance determines a component requires repair or replacement under the terms of this Manufacturer's Limited Lifetime Warranty, the part will be shipped via standard ground delivery. **If faster shipping service is desired, the Buyer must select and pay for same.**

ANY QUESTIONS REGARDING OUR FIVE (5) YEAR WARRANTY SHOULD BE DIRECTED TO OUR SERVICE CENTER BY CALLING TOLL FREE 877-474-6473 BETWEEN 8:00 AM and 5:00 PM MONDAY thru FRIDAY EASTERN TIME. NO RETURN WILL BE ACCEPTED BY ECOSMART WITHOUT PRIOR APPROVAL AND THE ISSUANCE OF RETURN MERCHANDISE AUTHORIZATION NUMBER CLEARLY MARKED ON THE EXTERIOR OF PACKAGING.

EcoSmart Green Energy Products • 400 Captain Neville Drive, Waterbury, CT, 06705 • TOLL FREE: 877-474-6473

ECOSMART SPANISH MANUAL

INSTRUCCIONES DE INSTALACIÓN Y MANUAL DEL PROPIETARIO

ECO 8 | ECO 11 | ECO 18 | ECO 24 | ECO 27 | ECO 36

INFORMACIÓN IMPORTANTE SOBRE SEGURIDAD

Cuando se instala o usa un aparato eléctrico de alto voltaje, siempre se deben tener en cuenta precauciones de seguridad básicas. En ningún caso se debe intentar limpiar, instalar, inspeccionar, reparar, desarmar ni reparar de ninguna otra manera este calefón calentador de agua sin apagar primero **toda** la alimentación de energía a la unidad directamente en la caja de disyuntores. **SI SE IGNORA ESTA ADVERTENCIA SE PUEDEN PRODUCIR LESIONES CORPORALES GRAVES O LA MUERTE.**

ESTE PRODUCTO DEBE SER INSTALADO POR UN ELECTRICISTA CALIFICADO Y UN PLOMERO CALIFICADO DE ACUERDO CON TODOS LOS CÓDIGOS ELÉCTRICOS Y DE PLOMERÍA NACIONALES, ESTATALES, PROVINCIALES Y LOCALES.

POR FAVOR, LEA ESTAS INSTRUCCIONES METICULOSAMENTE Y EN SU TOTALIDAD ANTES DE LA INSTALACIÓN Y EL USO. DE NO HACERLO SE PODRÍAN PRODUCIR DAÑOS MATERIALES, LESIONES GRAVES O LA MUERTE.

Este manual se debe entregar al propietario después de la instalación y se debe conservar para referencia futura.



Probado y certificado por la Water Quality Association de conformidad con la norma NSF/ANSI 372 sobre cumplimiento de ausencia de plomo.

INFORMACIÓN IMPORTANTE SOBRE SEGURIDAD

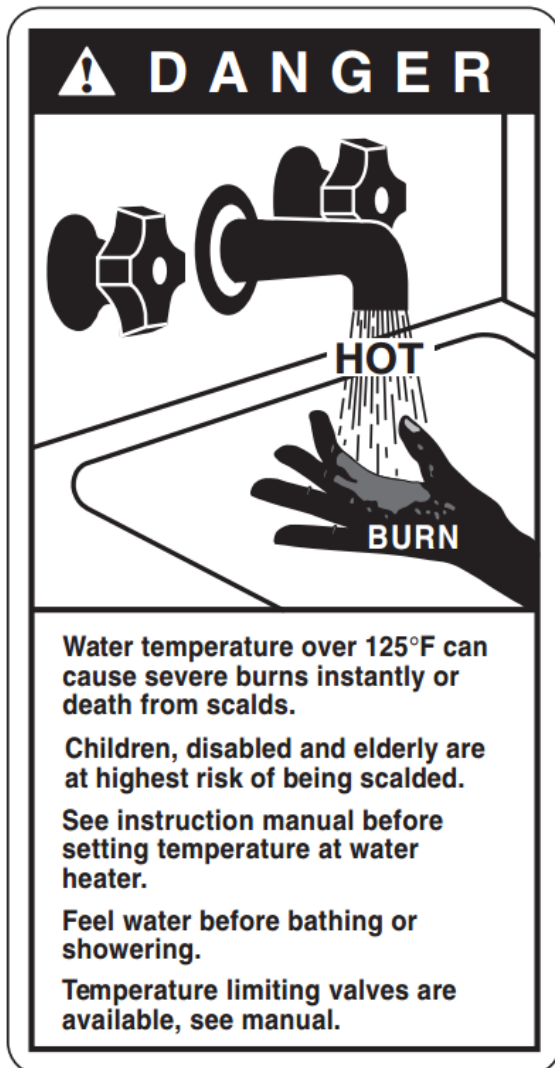
LEA TODAS LAS INSTRUCCIONES ANTES DEL USO



¡PELIGRO!

GRADUACIÓN SEGURA DE LA TEMPERATURA DEL AGUA

La seguridad y la conservación de la energía son factores a considerar cuando se selecciona la graduación de temperatura del agua del termostato del calentador de agua. La temperatura del agua por encima de 125°F puede causar quemaduras graves o la muerte por escaldaduras. Asegúrese de leer y observar las advertencias indicadas en la etiqueta que se ve en la imagen de abajo. Esta etiqueta también se encuentra en el calentador de agua cerca del panel de acceso al termostato.



Time/Temperature Relationship in Scalds

Temperature	Time To Produce a Serious Burn
120°F	More than 5 minutes
125°F	1½ to 2 minutes
130°F	About 30 seconds
135°F	About 10 seconds
140°F	Less than 5 seconds
145°F	Less than 3 seconds
150°F	About 1½ seconds
155°F	About 1 second

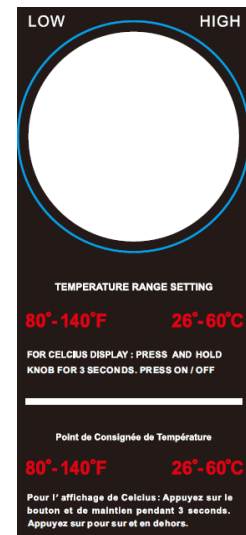
Table courtesy of Shriners Burn Institute

El cuadro que aparece arriba se puede usar como guía para determinar la temperatura del agua adecuada para su hogar.



PELIGRO: Los hogares donde hay niños pequeños, discapacitados o ancianos pueden necesitar una graduación del termostato de 120° F o menos para evitar el contacto con agua "CALIENTE". La temperatura del agua del calentador se regula mediante el control electrónico que está en el frente del mismo. Para cumplir con las regulaciones de seguridad, el termostato se graduó en 120°F antes del embarque del calentador en fábrica.

Por favor, consulte la Sección 10 para más información acerca de la graduación de temperatura de su calentador. Rote hacia la derecha para mayor temperatura (hasta 140°F) o hacia la izquierda para menor temperatura (hasta 80°F); aparecerá en la pantalla encima de la perilla.



Aviso: Se recomiendan las válvulas mezcladoras para reducir la temperatura del agua en el punto de uso mezclando agua caliente y fría en las tuberías de derivación. Se recomienda instalar una válvula mezcladora que cumpla con la Norma para Válvulas Mezcladoras Activadas por Temperatura para Sistemas de Distribución de Agua Caliente ASSE 1017.

ACERCA DE SU CALEFÓN SIN TANQUE

¡Felicitaciones por la compra del calefón eléctrico sin tanque! Usted ha comprado el calefón eléctrico sin tanque tecnológicamente más avanzado del mercado actual.

Su nuevo calefón eléctrico sin tanque presenta sensores avanzados de temperatura y velocidad de caudal diseñados para modular energía a los elementos calefactores para mantener la temperatura exacta del agua de salida seleccionada por el usuario entre 80°F y 140°F (sujeto a la temperatura del agua de entrada y el suministro de energía del modelo seleccionado).

Para obtener el mejor rendimiento y ahorro energético de su calefón eléctrico sin tanque es importante que se lo instale de acuerdo con nuestras instrucciones y los códigos eléctricos y de plomería aplicables a su área y que lea este manual meticulosamente para comprenderse de las instrucciones operativas y sugerencias importantes.

Si tiene alguna pregunta en cualquier momento, por favor, comuníquese con nosotros directamente en:

EcoSmart Green Energy Products
400 Captain Neville Drive, Waterbury, CT 06705
Teléfono para llamadas gratuitas: 1-877-474-6473
Support@EcoSmartUS.com

CONTENIDO

1. ANTES DE LA INSTALACIÓN
2. SELECCIÓN DEL LUGAR DE INSTALACIÓN
3. MONTAJE DE SU CALEFÓN
4. INSTALACIÓN DE PLOMERÍA
5. INSTALACIÓN ELÉCTRICA
6. GUÍA DE TAMAÑOS
7. INSTRUCCIONES OPERATIVAS GENERALES
8. MANTENIMIENTO
9. GUÍA PARA LA SOLUCIÓN DE PROBLEMAS
10. INTERFAZ DEL USUARIO

1 – ANTES DE LA INSTALACIÓN

POR FAVOR, LEA ESTAS INSTRUCCIONES METICULOSAMENTE Y EN SU TOTALIDAD ANTES DE LA INSTALACIÓN Y EL USO. SI NO SE RESPETAN LAS INSTRUCCIONES SE PODRÍAN PRODUCIR DAÑOS MATERIALES, LESIONES PERSONALES GRAVES O LA MUERTE.

Al instalar este producto usted reconoce los términos de la garantía del fabricante. Después de instalado el calefón no devuelva el producto al lugar de compra. Si tiene alguna pregunta sobre la garantía o las políticas de devolución del producto, por favor, comuníquese con EcoSmart al 1-877-474-6473.

Inspeccione todos los componentes. El contenido de la caja debe incluir una de las siguientes unidades:

- ECO 8
- ECO 11
- ECO 18
- ECO 24
- ECO 27
- ECO 36

2 - SELECCIÓN DEL LUGAR DE INSTALACIÓN

Este producto únicamente se puede instalar en interiores. Puede instalar su unidad en una ubicación exterior en tanto y en cuanto se lo coloque en un cerramiento adecuado que lo proteja de la lluvia, salpicaduras de agua, la luz solar directa, residuos e insectos.

NO instale este producto en un lugar donde pueda estar sujeto a temperaturas de congelación. Si el agua que está dentro de su calefón sin tanque se congela puede causar daños graves y permanentes que no son cubiertos por la garantía.

NO coloque el calefón en un lugar de difícil acceso.

Asegúrese de que el calefón y el caño de salida del agua caliente no estén al alcance de los niños, de manera que no estén en condiciones de alterar los controles de temperatura ni de lesionarse al tocar la cañería de salida del agua caliente. La cañería del agua de salida puede estar muy caliente.

Este producto NO necesita ventilación.

Evite instalar su calefón sin tanque en un lugar propenso a la humedad excesiva o el polvo o en un área donde pueda ser salpicado con agua u otros líquidos. NO lo instale debajo de cañerías de agua o aire acondicionado que puedan tener pérdidas o condensar humedad que pudieran luego gotear dentro del calefón. NO lo instale encima de tableros o cajas de empalme eléctricos.

PRECAUCIÓN: El calefón no se debe ubicar en un área donde un derrame provoque daños al área adyacente o los pisos inferiores de la estructura. Si no se pueden evitar esas áreas, se recomienda instalar una bandeja de goteo adecuada, con buen drenaje, debajo del calefón.

3 - MONTAJE DE SU CALEFÓN

Su calefón sin tanque se debe sujetar a la superficie de montaje con 4 tornillos (1 pulgada de largo como mínimo) usando las ménsulas de montaje incorporadas a cada lado del calefactor. Asegúrese de que la superficie de montaje sea sólida y firme y que la unidad quede nivelada antes de sujetar los tornillos. Para facilitar la instalación y el mantenimiento, recomendamos que este producto se instale en posición vertical, con las conexiones de agua de entrada y salida en la parte inferior de la unidad en el caso de las ECO 18, ECO 24, ECO 27 y ECO 36 y con las conexiones de agua de entrada y salida en los lados izquierdo y derecho en el caso de las unidades ECO 8 y ECO 11.

Separaciones recomendadas: 12 pulgadas encima y debajo del calefón

6 pulgadas delante y a los costados del calefón

PRECAUCIÓN: Los materiales combustibles se deben mantener a 24 pulgadas de distancia de su calefón y del caño de salida de agua caliente.

4 – INSTALACIÓN DE PLOMERÍA

Por favor, siga todas las instrucciones de plomería con atención. Recomendamos que este producto sea instalado por un plomero matriculado y calificado de conformidad con todos los códigos de plomería nacionales, estatales, provinciales y locales aplicables.

Instrucciones de instalación

PASO 1: Conecte la cañería de AGUA CALIENTE con la SALIDA del calefón ubicada del lado izquierdo mirando la unidad de frente. Conecte la cañería de AGUA FRÍA con la ENTRADA marcada del calefón ubicada del lado derecho mirando la unidad de frente.

PASO 2: Después de apretar las dos uniones del calefón, abra varios grifos de agua caliente y deje correr el agua a través del calefón durante al menos 2 ó 3 minutos. Este proceso purga todo el aire de las cañerías y SE DEBE realizar antes de encender la alimentación eléctrica de la unidad. SI NO SE REALIZA ESTE PASO SE PUEDEN PRODUCIR DAÑOS PERMANENTES EN LOS ELEMENTOS CALEFACTORES. Si se realiza alguna tarea de mantenimiento del calefón o del sistema de cañerías del hogar que pudiera introducir aire en las cañerías es importante apagar el suministro eléctrico del calefón y purgar el aire de las cañerías antes de encender la unidad.

PASO 3: Inspeccione con atención todas las conexiones, uniones y la válvula de alivio de presión (en caso de haber) para detectar cualquier pérdida.

AVISOS IMPORTANTES:

1. No suelde ningún caño con la unidad conectada a la cañería; el calor de soldadura puede dañar el sensor de caudal. Si lo hace se anulará la garantía.
2. Este calefón automático sin tanque está equipado con interruptores de termostato de restauración automática electromecánicos y controlados por computadora para protección contra alta temperatura por limitación. Como este producto no usa un tanque de almacenamiento en la mayoría de las instalaciones no se necesita una válvula de alivio de presión y temperatura (T&P). La norma UL 499 NO exige el uso de una válvula de alivio de presión. Sin embargo, tal vez sea necesario instalar una válvula T&P para cumplir con los códigos de su área. Si es así, instale la válvula de alivio de presión de acuerdo con los códigos locales y asegúrese de que funcione correctamente y que el aire se purgue de la válvula antes de instalar el calefón. Al conectar con un tubo CPVC flexible o de alta temperatura recomendamos usar una válvula T&P para mayor seguridad.
Por favor, tenga en cuenta lo siguiente: Las instalaciones realizadas en el Estado de Massachusetts y en el Estado de Kentucky exigen válvula de alivio de presión. Por favor, consulte los códigos de instalación locales para ver los requisitos especiales.
3. La presión de agua operativa máxima es 150 psi. Si la presión de agua es superior, se debe instalar una válvula reductora de presión en la tubería de suministro de agua de entrada principal antes de instalar el calefón eléctrico sin tanque.
4. Se recomienda el uso de mangueras flexibles para calefón como parte de la instalación. Al conectar el caño de agua de entrada a la unidad asegúrese de usar una llave para sujetar la conexión de la unidad y otra llave para ajustar, de manera que el sensor de caudal de la unidad no se suelte ni dañe. Se pueden producir daños internos graves en el calefón si las conexiones de entrada o salida se aprietan en exceso o si se realizan conexiones de soldadura.
5. Recomendamos instalar una válvula de cierre manual (válvula esférica) en la entrada y salida del calefón de manera que haya un punto de cierre conveniente disponible en caso de ser necesario realizar alguna tarea de mantenimiento o reparación en el futuro. Es sumamente importante lavar las cañerías con chorro de agua para eliminar cualquier pasta o residuo de plomería de las mismas que pudiera ser causado por soldadura antes de conectar los caños al calefón.

Recomendamos que todas las cañerías o mangueras de agua que se encuentren dentro de 3 pies de distancia de las conexiones de entrada y salida tengan capacidad nominal para aplicaciones de alta temperatura con un valor mínimo de 150°F.

5 – INSTALACIÓN ELÉCTRICA

EcoSmart recomienda que este producto sea instalado por un electricista matriculado y calificado de conformidad con todos los códigos de electricidad nacionales, estatales, provinciales y locales aplicables. Como sucede con todos los aparatos eléctricos, en ningún caso debe intentar instalar, reparar ni desarmar este calefón sin antes desconectar todo el suministro eléctrico de la unidad directamente en la caja de fusibles o disyuntor. **Asegúrese de desconectar todos los disyuntores. SI SE IGNORA ESTA ADVERTENCIA SE PUEDEN PRODUCIR LESIONES CORPORALES GRAVES O LA MUERTE.**

Todo el cableado (calibre del cable) y la protección de circuitos (disyuntores) deben cumplir con el Código Eléctrico Nacional en EE.UU. (NEC) o el Código Eléctrico Canadiense de Canadá (CEC). De lo contrario se pueden producir daños materiales y/o lesiones personales y se anula la garantía. Nota: El Código Eléctrico Canadiense generalmente exige que todos los cables de suministro y la protección de circuitos correspondiente utilizados para la calefacción doméstica por agua caliente y las aplicaciones de calefacción hidrónica sean de una medida como mínimo igual al 125% de la capacidad nominal máxima del calefón (vea los detalles en las especificaciones del modelo más abajo).

Antes de instalar este producto, asegúrese de que el hogar tenga suficiente energía eléctrica disponible para manejar la carga de amperaje máxima del modelo aplicable.

AVISOS IMPORTANTES:

Los modelos ECO 8 y ECO 11 exigen 1 juego de cable y tierra **(vea el diagrama de cableado)**

El modelo ECO 18 exige 2 juegos de cable y tierra **(vea el diagrama de cableado)**

Los modelos ECO 24 y ECO 27 exigen 3 juegos de cable y tierra **(vea el diagrama de cableado)**

El modelo ECO 36 exige 4 juegos de cable y tierra **(vea el diagrama de cableado)**

Por favor, vea las especificaciones eléctricas por modelo y diagrama de cableado en la página siguiente para consultar información eléctrica adicional.

Cada juego de cables se debe conectar con su propio disyuntor de doble polo individual.

Instrucciones de instalación

PASO 1: Tome cada par de cables y conéctelo con un disyuntor (vea el diagrama de cableado). Asegúrese de que cada disyuntor se conecte con un cable negro y un cable rojo

PASO 2: Con un calibre de cable adecuado que cumpla con todos los códigos eléctricos aplicables para el tamaño de disyuntores utilizados, tienda los juegos correctos de cable desde el tablero del disyuntor principal de su hogar hasta el calefón sin tanque.

PASO 3: Se necesita un conductor de tierra separado para cada circuito de entrada.

PASO 4: VUELVA A COMPROBAR las conexiones eléctricas para asegurarse de que sean correctas y que todas las conexiones de cables estén firmes y sujetas. También confirme que se haya utilizado el tamaño de disyuntor y el calibre de cable correctos y que la unidad se haya conectado a tierra de acuerdo con los códigos aplicables.

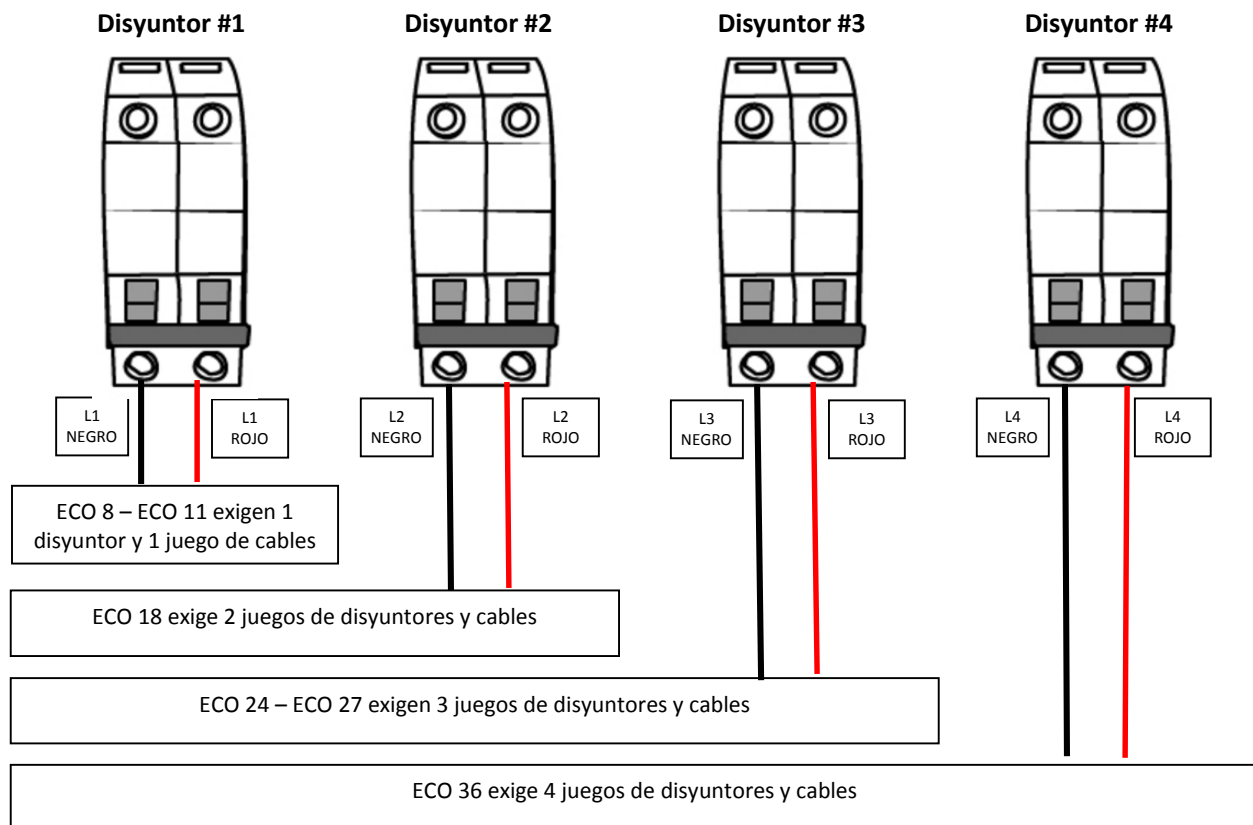
PASO 5: Confirme que se haya purgado todo el aire de las cañerías de agua antes de encender el suministro eléctrico de la unidad. Consulte el PASO 2 de la sección instalación de plomería.

PRECAUCIÓN: Asegúrese de haber hecho las conexiones correctas. Debe seguir la conexión de cables tal como se muestra para asegurar el funcionamiento adecuado de la unidad. Si mezcla un juego de cables con otro la unidad no funcionará correctamente aun cuando se encienda y parezca funcionar correctamente. ¡El calefón ya está instalado y listo para el uso! Siga las Instrucciones Operativas Generales para completar la instalación. Recomendamos enfáticamente que esto se realice en presencia del propietario.

Especificaciones eléctricas por modelo

MODELOS	ECO 8	ECO11	ECO 18	ECO 24	ECO 27	ECO 36
ELEMENTOS	1	2	2	3	3	4
VOLTAJE	240 V	240 V	240 V	240 V	240 V	240 V
MÁX kW	8 kW	13 kW	18 kW	24 kW	27 kW	36 kW
KW POR ELEMENTO	8 kW	6,5 kW	9 kW	8 kW	9 kW	9 kW
AMPERAJE MÁXIMO	33 AMP	54 AMP	75 AMP	100 AMP	112,5 AMP	150 AMP
DISYUNTORES REQUERIDOS	1 x 40 AMP	1 x 60 AMP	2 x 40 AMP	3 x 40 AMP	3 x 40 AMP	4 x 40 AMP
CALIBRE DE CABLE REQUERIDO	1 x 8 AWG	1 x 6 AWG	2 x 8 AWG	3 x 8 AWG	3 x 8 AWG	4 x 8 AWG

Diagrama de cableado



Configuración De Punte 208V

Cuando utilice un servicio de 208V para estas unidades de 240V debe cambiar la configuración del puente para asegurarse de que la unidad funcione correctamente. Si utiliza un servicio de 208V tendrá un 75% de capacidad. Hay dos tipos diferentes de tableros de control: Agujero pasante y montaje en superficie. Para obtener asistencia respecto del tipo de tablero de control, visite EcoSmartUS.com

Model	ECO 8	ECO 11	ECO 18	ECO 24	ECO 27	ECO 36
Nueva configuración de puente (Agujero pasante)	8	8	5.5	5.5	5.5	7
Nueva configuración de puente (Montaje en superficie)	8	7	7	5.5	7	7

6 – GUÍA DE TAMAÑOS

Por favor, utilice el cuadro de abajo para ver cuántos galones por minuto puede producir su calefón sin tanque con su temperatura de agua entrante. Los galones por minuto se calculan suponiendo una temperatura de salida de 105°F.

Temperatura de agua entrante	ECO 8	ECO 11	ECO 18	ECO 24	ECO 27	ECO 36
40°F	0,8	1,4	1,9	2,5	2,8	3,8
45°F	0,9	1,5	2,0	2,7	3,1	4,1
50°F	1,0	1,6	2,2	3,0	3,4	4,5
55°F	1,1	1,8	2,5	3,3	3,7	4,9
60°F	1,2	2,0	2,7	3,6	4,1	5,5
65°F	1,4	2,2	3,1	4,1	4,6	6,1
70°F	1,6	2,5	3,5	4,7	5,3	7,0
75°F	1,8	3,0	4,1	5,5	6,1	8,2
80°F	2,2	3,6	4,9	6,6	7,4	9,8

(Galones por minuto)

REGULADOR DE CAUDAL - OPCIONAL

Para asegurar una salida de temperatura y un rendimiento general óptimos de su calefón sin tanque tal vez necesite un regulador de caudal. Estos reguladores de caudal se instalan en la conexión de salida de su calefón sin tanque y limitan el volumen máximo que sale de su unidad a una velocidad de caudal especificada para evitar que la temperatura de salida se vuelva demasiado fresca. Para más información sobre reguladores de caudal o para averiguar cómo comprar uno para su calefón sin tanque visítenos en línea en EcoSmartUS.com o comuníquese con nosotros al 1-877-474-6473.

Pasos para elegir un regulador de caudal

1. Encuentre su modelo en el cuadro, del lado izquierdo
2. Elija la columna con la temperatura de agua de entrada más cercana a su ubicación geográfica
3. Tome el valor de GPM – galones por minuto – que encuentre y combine el mismo con el regulador de caudal correspondiente del lado derecho

Temperatura del agua de entrada

	40°F	50°F	60°F	70°F
ECO 8	1,0	1,0	1,0	1,5
ECO 11	1,0	1,0	1,5	2,0
ECO 18	2,0	2,0	2,0	3,0
ECO 24	2,0	2,0	3,0	4,0
ECO 27	2,0	3,0	4,0	5,0
ECO 36	3,0	4,0	5,0	5,0

Número de pieza de EcoSmart	Velocidad de caudal máxima	Tamaño de conexión
ECO IFR 1-2	1,0 GPM	Compresión ½"
	1,5 GPM	Compresión ½"
	2,0 GPM	Compresión ½"
ECO IFR 3-4	2,0 GPM	3/4" NPT
	3,0 GPM	3/4" NPT
	4,0 GPM	3/4" NPT
	5,0 GPM	3/4" NPT

*Selección basada en la temperatura de entrada de arriba y la temperatura de salida de 105°F

7 - INSTRUCCIONES OPERATIVAS GENERALES

El funcionamiento de su calefón sin tanque es similar al de cualquier sistema tradicional de calefacción por agua. Sin embargo, es muy importante que lea con atención todos los procedimientos de instalación y las instrucciones operativas y sugerencias para asegurar el rendimiento máximo y ahorro de energía con su nuevo calefón de agua. Recomendamos que todos los integrantes del hogar lean estas Instrucciones Operativas Generales.

Cómo funciona su nuevo calefón: Su calefón sin tanque no almacena agua caliente como un termotanque convencional. Contiene elementos de calefacción de alto poder energético que son capaces de calentar el agua a demanda. Apenas abre un grifo de agua caliente, un sofisticado sensor de caudal reconoce que usted ha abierto el agua. Este sensor mide la velocidad de caudal mientras otro sensor mide la temperatura del agua de entrada. Esta información se transmite continuamente a los controles lógicos computarizados que deciden cuánta energía se debe enviar a los elementos de calefacción para calentar el agua a la temperatura que usted desea. Apenas se cierra el grifo también se apaga el calefón.

8 - MANTENIMIENTO

Para asegurar el máximo rendimiento de su calefón y para reducir el riesgo de pérdida de agua, recomendamos el siguiente mantenimiento:

Inspeccione las conexiones en la entrada y salida del calefón al menos de forma anual para verificar cualquier indicio de daño o falla. Se debe resolver cualquier señal de daño, grietas, pérdida o debilidad. Preste atención para no apretar demasiado las conexiones. Si se aprietan en exceso las conexiones del calefón se pueden producir daños internos graves en la unidad.

AVISOS IMPORTANTES:

Como sucede con todos los aparatos eléctricos, en ningún caso debe intentar instalar, reparar ni desarmar este calefón sin antes desconectar todo el suministro eléctrico de la unidad directamente en la caja de fusibles o disyuntor. **SI SE IGNORA ESTA ADVERTENCIA SE PUEDEN PRODUCIR LESIONES CORPORALES GRAVES O LA MUERTE.**

Cuando se realiza alguna tarea de mantenimiento del calefón o del sistema de cañerías del hogar que pudiera introducir aire en las cañerías es importante apagar el suministro eléctrico del calefón y purgar el aire de las cañerías antes de encender la unidad. **DE NO HACERLO SE PUEDEN PRODUCIR DAÑOS PERMANENTES DEL ELEMENTO CALEFACTOR Y SE ANULA LA GARANTÍA.**

Si tiene un suministro de agua con un alto nivel de mineralización (agua dura), debe aumentar la frecuencia del mantenimiento.

9 - GUÍA PARA LA SOLUCIÓN DE PROBLEMAS

¿Está teniendo problemas con su calefón?

Por favor, llámenos o envíe un mensaje de correo electrónico a nuestro equipo de atención al cliente y servicio técnico para solicitar cualquier ayuda que necesite.

TELÉFONO PARA LLAMADAS GRATUITAS 1-877-474-6473

support@ecosmartUS.com

La siguiente tabla representa algunas de las preguntas de apoyo técnico más comunes que recibimos. Antes de llamarnos, por favor, léalas a fondo para ver si se refieren a su pregunta o problema.

PROBLEMA	CAUSA POSIBLE	SOLUCIÓN
El calefón no calienta nada (el agua corre pero la unidad no está calentando – la temperatura del agua que sale es igual que la del suministro de agua fría) – la pantalla digital NO se ilumina.	No hay suministro eléctrico o el cableado es incorrecto.	Asegúrese de que los disyuntores del tablero eléctrico principal estén ENCENDIDOS. Puede tratarse de un defecto en el disyuntor o que el cableado de la unidad sea incorrecto.
	La velocidad del caudal es demasiado baja/la presión del agua es demasiado baja.	Su calefactor tiene una velocidad de caudal de activación de aproximadamente 0,3 GPM. Si su velocidad de caudal de agua es inferior a este nivel, la unidad no se activará. Aumente la velocidad de caudal.
El calefón no calienta nada (el agua corre pero la unidad no está calentando – la temperatura del agua que sale es igual que la del suministro de agua fría) – la pantalla digital SE ilumina.	Falla de piezas internas.	Por favor, llámenos para solicitar asistencia técnica.
El calefactor está calentando, pero la temperatura del agua no es suficientemente caliente.	La graduación de temperatura del usuario es demasiado baja.	Aumente la graduación de temperatura en la unidad.
	La velocidad de caudal es demasiado alta.	Según la temperatura del agua que entra y la salida de energía de su modelo, su velocidad de caudal de agua puede superar la capacidad de calefacción física de su calefón. Reduzca la velocidad de caudal instalando un regulador de caudal EcoSmart. Use el cuadro de la sección 6 para averiguar qué regulador de caudal funciona mejor para su modelo particular.
	Cables cruzados.	Si es una instalación nueva, haga que su electricista vuelva a controlar el cableado. Es posible que el cableado sea incorrecto.
	Voltaje inferior a 240 voltios.	Los elementos calefactores de su calefón están diseñados para 240 voltios. Cuando se usan con un voltaje inferior, producen menos potencia de calentamiento. Tal vez necesite pasar a un modelo más grande.
	Mezcla demasiada agua fría.	Con su calefón sin tanque no necesita mezclar tanta agua fría como cuando usa un termostato convencional. También puede tener un dispositivo antiescaldadura en su grifo que esté mezclando agua fría. Estos tipos de grifos habitualmente se pueden ajustar para reducir la cantidad de agua fría que se mezcla.
La temperatura del agua en el grifo es inferior a la graduación de temperatura de mi calefón.	Voltaje inferior a 240 voltios.	Los chips computarizados de su calefón sin tanque están programados para un voltaje de entrada de 240 voltios. Si tiene menos de 240 voltios, la lectura de la pantalla digital de su calefón puede verse afectada y provocar una lectura ligeramente mayor que la temperatura de salida real. Para compensarlo, aumente la graduación de su calefón si necesita/quiere agua más caliente.
	Válvula de compensación/presión antiescaldadura o válvula de templado.	Su grifo puede tener un dispositivo antiescaldadura o válvula de templado que automáticamente mezcla agua fría aun cuando usted gire la palanca o manija de control hasta caliente total. Habitualmente estos dispositivos son ajustables, así que usted puede anular la mezcla fría completamente. Puede compensarlo aumentando la graduación de su calefón si necesita/quiere agua más caliente.
	Pérdida térmica debido a la extensión de la cañería	Como el agua caliente del calefón recorre el sistema de entrega de agua caliente hasta su grifo, se perderá parte del calor, especialmente si la distancia a recorrer es larga o si los caños están fríos. Es normal. Puede compensarlo aumentando la graduación de su calefón si necesita/quiere agua más caliente.

10 – INTERFAZ DE USUARIO

Encendido

- Haga clic en la perilla de ajuste, se encenderá la pantalla
- Haga clic en la perilla de ajuste otra vez, se apagará la pantalla

Conversión C/F

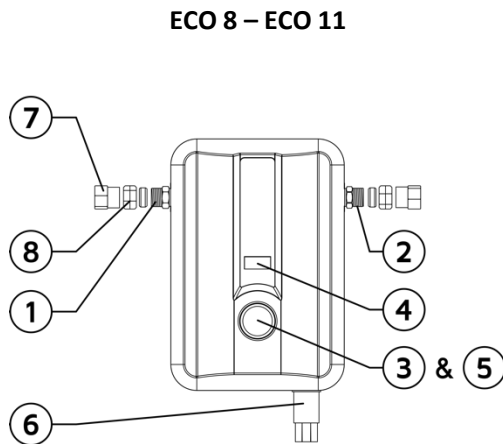
- Presione la perilla de ajuste durante 3 segundos; la pantalla cambiará de Fahrenheit a Celsius o viceversa

Control de temperatura

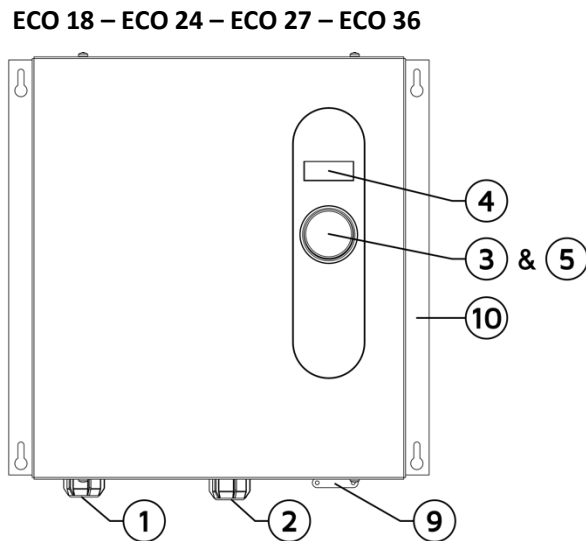
- Girando la perilla en el sentido de las agujas del reloj aumenta la temperatura del agua de salida fijada
- Girando la perilla en el sentido contrario a las agujas del reloj se reduce la temperatura del agua de salida fijada
- Puede fijar o ajustar la temperatura en cualquier momento entre 80°F – 140°F (27°C – 60°C). La temperatura se puede modificar según la graduación que desee. La pantalla solamente permanecerá encendida mientras la unidad esté en uso o cuando usted esté fijando la temperatura.

PRECAUCIÓN: Al retirar la tapa para cambiar el punto de temperatura fijado se genera una situación de exposición a peligros de descarga eléctrica y quemaduras que pueden causar LESIONES o la MUERTE. El ajuste sólo puede ser realizado por un plomero o electricista matriculado.

PELIGRO: El agua más caliente aumenta el potencial de ESCALDADURAS por agua caliente.



1. Salida de agua caliente
2. Entrada de agua fría
3. Conversión Celsius/Fahrenheit (Presione y mantenga 3 segundos)
4. Pantalla de punto de ajuste de temperatura



5. Perilla de ajuste y control de temperatura
6. Conexión de cable
7. Tuerca de compresión de latón
8. Casquillo de compresión de latón
9. Alivio de tensión eléctrica
10. Ménsula de montaje (1")

Modelo número	Altura	Ancho	Profundidad	Distancia de centro de caño
ECO 8	11 1/2 pulgadas	8 pulgadas	3 3/4 pulgadas	-
ECO 11	11 1/2 pulgadas	8 pulgadas	3 3/4 pulgadas	-
ECO 18	17 pulgadas	14 pulgadas	3 3/4 pulgadas	5 7/8 pulgadas
ECO 24	17 pulgadas	17 pulgadas	3 3/4 pulgadas	5 7/8 pulgadas
ECO 27	17 pulgadas	17 pulgadas	3 3/4 pulgadas	5 7/8 pulgadas
ECO 36	17 pulgadas	21 pulgadas	3 3/4 pulgadas	9 13/16 pulgadas

ECOSMART GREEN ENERGY PRODUCTS

GARANTÍA DEL FABRICANTE

EE.UU. CONTINENTAL y CANADÁ: LIMITADA DE POR VIDA
FUERA DE EE.UU. CONTINENTAL: 5 AÑOS

1. GARANTÍA DEL PRODUCTO: EcoSmart Green Energy Products garantiza al comprador original, en su domicilio original, o al destinatario autorizado de ese comprador (de forma colectiva, el "Comprador") que el calefón calentador de agua sin tanque EcoSmart y sus componentes se encuentran libres de defectos de materiales y fabricación, en condiciones normales de uso y mantenimiento, a partir de la fecha de instalación, siempre y cuando el Producto se instale dentro del plazo de treinta (30) días a partir de la fecha de recepción y sea instalado por un electricista y plomero matriculado (se exige constancia específica) y sea objeto de mantenimiento de acuerdo con las instrucciones escritas del Producto. La Garantía del Producto tendrá vigencia a partir del momento de recepción del Registro de Garantía por parte de las oficinas de EcoSmart en EE.UU. El Registro de Garantía se encuentra incluido en el Manual de Funcionamiento y Mantenimiento suministrado con cada nuevo producto y se debe completar en su totalidad y enviar por fax, correo electrónico o el sitio web dentro de los treinta (30) días posteriores a la recepción del Producto. No se aceptarán Registros de Garantía incompletos. Las Garantías del Producto son nulas si el Registro de Garantía no se recibe dentro de los treinta (30) días de recibido el Producto.

ESAS GARANTÍAS NO CUBREN:

- Fallas del producto debido a acumulación de cal, acumulación de sedimentos, corrosión química, corrosión por cloro/cloruro o congelación.
- Falla del producto causada por no haber extraído el aire del sistema antes de ponerlo en funcionamiento o durante el uso.
- Uso incorrecto, alteración o aplicación incorrecta del Producto, daño accidental, instalación inadecuada o aplicación de voltaje inadecuado.
- Costos originados por el embarque, la entrega, gastos de manipulación y/o administrativos.
- Cargas laborales de ningún tipo.

LAS GARANTÍAS PRECEDENTES SON EXCLUSIVAS Y SE OTORGAN EN LUGAR DE CUALQUIER OTRA GARANTÍA, EXPRESA O IMPLÍCITA, INCLUIDA, SIN LIMITACIÓN, CUALQUIER GARANTÍA IMPLÍCITA DE MERCANTIBILIDAD O DE IDONEIDAD PARA UN FIN PARTICULAR O PATENTE U OTRA INFRACCIÓN DE DERECHOS DE PROPIEDAD INTELECTUAL.

2. LIMITACIÓN DE RECURSOS Y DAÑOS Y PERJUICIOS: La responsabilidad de EcoSmart Green Energy Products y los recursos exclusivos del Comprador en virtud de la presente se limitarán únicamente a la reparación o reemplazo del Producto cubierto por la Garantía por parte del Centro de Servicios de EcoSmart con respecto a cualquier reclamo formulado dentro de la Garantía aplicable. EcoSmart Green Energy Products hace reserva de su derecho de aceptar o rechazar cualquier reclamo de ese tipo, en todo o en parte. EcoSmart Green Energy Products no aceptará la devolución de ningún producto sin la aprobación escrita previa por parte del Centro de Servicios de EcoSmart y la emisión de un Número de Autorización de Mercadería de Devolución claramente marcado en el embalaje exterior del embarque de devolución. ECOSMART GREEN ENERGY PRODUCTS NO SERÁ RESPONSABLE, BAJO NINGUNA CIRCUNSTANCIA, DE LA COMPENSACIÓN DE DAÑOS INDIRECTOS O ACCESORIOS, INCLUIDOS, SIN LIMITACIÓN, COSTOS LABORALES O LUCRO CESANTE, RESULTANTES DEL USO (O DE LA IMPOSIBILIDAD DE USO) DE LOS PRODUCTOS O DE LA INCORPORACIÓN DE LOS PRODUCTOS EN CUALQUIER OTRO PRODUCTO O MERCADERÍA O COMO COMPONENTE DE CUALQUIER OTRO PRODUCTO O MERCADERÍA.

3. REGISTRO DE LA GARANTÍA: Para estar cubierto por la Garantía Limitada de por Vida del Fabricante de EcoSmart Green Energy Products, el Comprador debe registrar el producto dentro del plazo de treinta (30) días calendario después de recibido el Producto, usando la Tarjeta de Registro de la Garantía incluida con el Producto; esta Garantía se puede enviar por correo electrónico a ECOSMART GREEN ENERGY PRODUCTS ubicada en **400 Captain Neville Drive, Waterbury, CT, 06705**. ESTA ES UNA GARANTÍA LIMITADA DE POR VIDA DEL FABRICANTE QUE OTORGA LOS BENEFICIOS A LOS COMPRADORES ORIGINALES, SUJETO A LOS TÉRMINOS Y CONDICIONES QUE AQUÍ SE ESTIPULAN. Mantenga los documentos del Producto en un lugar seguro. La obligación del Comprador en virtud de los términos de compraventa establece que el Registro de la Garantía se debe devolver dentro del período indicado (30 días calendario) y que debe conservar todas las constancias de compra y la Garantía se extiende al Comprador con constancia de compra, no simplemente a la persona que tenga el Producto en su poder. Si el Producto se ha de instalar en una construcción nueva con fecha posterior a los 30 días siguientes a la fecha de recepción, envíe información adicional con anterioridad a la finalización del plazo de treinta (30) días, cuando tenga conocimiento de la misma, a los efectos de que actualicemos su registro de Garantía.

4. LIMITACIONES Y EXCLUSIONES ADICIONALES QUE AFECTAN SU GARANTÍA: Esta garantía es nula si el Producto no se instala de conformidad con los códigos eléctricos y de plomería locales pertinentes y de acuerdo con las instrucciones de instalación especificadas por el fabricante. Los códigos locales reemplazarán a las instrucciones del fabricante en el momento de la instalación y si fuera necesario contar con piezas de instalación adicionales, los costos correrán por cuenta y cargo del Comprador. Las

instalaciones por encima del nivel del piso se deben proteger con bandejas de goteo y drenajes de conformidad con los requisitos de protección de los códigos que se aplican en las instalaciones habituales de tanques de agua caliente. Por la presente el Comprador acepta plena responsabilidad en lo atinente a determinar si en su domicilio se cuenta con energía eléctrica suficiente para el funcionamiento de nuestros calefones calentadores de agua eléctricos sin tanque según lo indicado en nuestras especificaciones, las cuales están fácilmente disponibles en nuestro sitio web (WWW.ECOSMARTUS.COM), en nuestros folletos y en la caja de embarque para su lectura por parte de los instaladores antes de la instalación. Si dentro del plazo de treinta (30) días posteriores a la compra y previo a la instalación el Comprador determina que la unidad comprada no es adecuada para sus necesidades, el Comprador debe devolver la unidad a la oficina de EcoSmart. El Comprador es responsable de los gastos que se pueden generar para que se proceda a la devolución. El Comprador es elegible para el reembolso o crédito total ÚNICAMENTE si EcoSmart recibe la unidad devuelta dentro del plazo de treinta (30) días calendario posteriores a la recepción Y al inspeccionar la misma EcoSmart comprueba que se encuentra en las mismas condiciones que en el momento de la compra. El Comprador recibirá el reembolso o una unidad de reemplazo únicamente si se cumplen ambas condiciones. EcoSmart Green Energy Products no aceptará la devolución de ningún producto sin la aprobación escrita previa por parte de EcoSmart Green Energy Products y la emisión de un Número de Autorización de Mercadería de Devolución claramente marcado en el embalaje exterior del embarque de devolución.

TRANSCURRIDOS TREINTA (30) DÍAS CALENDARIO LUEGO DE LA RECEPCIÓN DEL PRODUCTO NO HABRÁ NINGUNA DEVOLUCIÓN NI GARANTÍA SIN LA RECEPCIÓN DEL REGISTRO DE GARANTÍA POR PARTE DE ECOSMART US. EL COMPRADOR ACEPTA TODAS LAS VENTAS COMO FINALES. CUALQUIER ALTERACIÓN DEL PRODUCTO ANULARÁ TODAS LAS GARANTÍAS. ECOSMART GREEN ENERGY PRODUCTS NO ES RESPONSABLE DE NINGÚN OTRO CONCEPTO O GASTO EN QUE SE HAYA INCURRIDO CON EXCEPCIÓN DEL PRECIO DE COMPRA ORIGINAL DEL PRODUCTO. ECOSMART GREEN ENERGY PRODUCTS no tendrá responsabilidad alguna por gastos indirectos, especiales, accesorios o contingentes ni por daños y perjuicios que surjan directa o indirectamente de cualquier defecto en o del Producto; EcoSmart Green Energy Products tampoco tendrá responsabilidad alguna por daños relacionados con el agua que surjan directa o indirectamente del uso del Producto o por la falla o el defecto de cualquier pieza componente o la plomería de conexión. EcoSmart Green Energy Products y el Comprador aceptan los términos precedentes en su totalidad y aceptan todas las ventas con carácter definitivo, sin recurso ante una compañía de tarjetas de crédito u otra institución financiera, y por el presente aceptan las estipulaciones y especificaciones definidas dentro de la Garantía Limitada de por Vida del Fabricante.

5. Procedimiento de garantía para solicitud de servicio: A través de un electricista matriculado determine el problema exacto que requiere reparación. Por favor, tenga en cuenta que hay apoyo técnico disponible únicamente para técnicos calificados (electricistas y/o plomeros matriculados). El apoyo técnico que implica condiciones eléctricas potencialmente peligrosas no está disponible para personas no calificadas. Al ponerse en contacto con el Centro de Servicios de EcoSmart, por favor, asegúrese de que el técnico tenga copia del Registro de Garantía original y haya leído el “Manual para el Propietario y de Instalación” suministrado con el Producto. Asistencia Técnica de EcoSmart, a su entera discreción, determinará el mejor método de reparación. Los métodos de reparación incluyen, sin limitación, el cambio de una pieza específica del Producto o la sustitución de toda la unidad. Si toda la unidad se debe reemplazar, de conformidad con los términos de esta Garantía del Fabricante, la unidad original se debe devolver a la oficina de ECOSMART. El Comprador debe respaldar el costo del envío en devolución y la unidad de reemplazo con una tarjeta de crédito válida en los EE.UU. Hay formularios disponibles de Autorización de Tarjeta de Crédito a solicitud. Si la unidad reemplazada llega a la oficina de EcoSmart dentro de los diez (10) días calendario del embarque de la unidad nueva y se determina que cumple con las especificaciones de esta Garantía del Fabricante, entonces no se realizará el cargo para el cobro a través de la tarjeta de crédito; de lo contrario, se cobrará al Comprador el importe de la unidad de reemplazo y el costo de embarque según lo aceptado dentro del Formulario de Autorización de Tarjeta de Crédito. Si Asistencia Técnica de EcoSmart determina que un componente requiere reparación o reemplazo de conformidad con los términos de esta Garantía Limitada de por Vida del Fabricante, la pieza se embarcará por vía terrestre estándar. **Si se desea un servicio de embarque más rápido, el Comprador debe seleccionar y pagar el mismo.**

TODAS LAS PREGUNTAS REFERIDAS A NUESTRA GARANTÍA POR CINCO (5) AÑOS SE DEBEN DIRIGIR A NUESTRO CENTRO DE SERVICIOS COMUNICÁNDOSE AL TELÉFONO PARA LLAMADAS GRATUITAS 877-474-6473 EN EL HORARIO DE 8:00 a 17:00 DE LUNES a VIERNES HORA DEL ESTE. ECOSMART NO ACEPTARÁ NINGUNA DEVOLUCIÓN SIN LA APROBACIÓN PREVIA Y LA EMISIÓN DE UN NÚMERO DE AUTORIZACIÓN DE MERCADERÍA DE DEVOLUCIÓN CLARAMENTE MARCADO EN EL EXTERIOR DEL EMBALAJE.

EcoSmart Green Energy Products • 400 Captain Neville Drive, Waterbury, CT, 06705 • TELÉFONO PARA LLAMADAS GRATUITAS: 877-474-6473

ECOSMART FRENCH MANUAL

INSTRUCTIONS D'INSTALLATION ET GUIDE DE L'UTILISATION DU PROPRIÉTAIRE

ECO 8 | ECO 11 | ECO 18 | ECO 24 | ECO 27 | ECO 36

INFORMATION DE SÉCURITÉ IMPORTANTE

Lorsque vous installez ou utilisez un appareil électrique haute tension, des mesures de sécurité de base doivent toujours être respectées. Vous ne devriez en aucun cas essayer de nettoyer, installer, inspecter, réparer, démonter ou entretenir autrement ce chauffe-eau, sans d'abord avoir fermé **complètement** l'alimentation de l'unité à partir du boîtier de disjoncteurs. **DE GRAVES DOMMAGES CORPORELS OU LA MORT PEUVENT SURVENIR SI VOUS IGNOREZ CET AVERTISSEMENT.**

CE PRODUIT DOIT ÊTRE INSTALLÉ PAR UN ÉLECTRICIEN ET UN PLOMBIER QUALIFIÉ CONFORMÉMENT À L'ENSEMBLE DES NORMES DES CODES NATIONAUX, RÉGIONAUX, PROVINCIAUX AINSI QUE LES CODES ÉLECTRIQUES ET DE PLOMBERIE.

VEUILLEZ LIRE CES INSTRUCTIONS AU COMPLET ET EN PROFONDEUR AVANT L'INSTALLATION ET L'UTILISATION. LE FAIT DE NE PAS LIRE CES INSTRUCTIONS POURRAIT PROVOQUER DES DOMMAGES MATÉRIELS, DE GRAVES BLESSURES OU MÊME LA MORT.

Ce manuel devrait être remis au propriétaire de la maison après l'installation et il devrait être conservé pour référence future.



Testé et certifié par l'organisme Water Quality Association pour la conformité aux normes SF/ANSI 372 pour l'absence de plomb.

INFORMATION DE SÉCURITÉ IMPORTANTE

LISEZ TOUTES LES INSTRUCTIONS AVANT D'UTILISER




DANGER!

PRÉCAUTION DE SÉCURITÉ POUR LA TEMPÉRATURE DE L'EAU

La sécurité et l'économie d'énergie sont des facteurs à considérer lors du réglage du thermostat pour la température de l'eau. Une température d'eau à plus de 52°C (125°F) peut provoquer de graves brûlures ou la mort par ébouillantage. Assurez-vous de lire et suivre les avertissements écrits sur l'étiquette illustrée ci-dessous. Cette étiquette est aussi placée sur le chauffe-eau près du panneau d'accès du thermostat.

! DANGER



Water temperature over 125°F can cause severe burns instantly or death from scalds.

Children, disabled and elderly are at highest risk of being scalded.

See instruction manual before setting temperature at water heater.

Feel water before bathing or showering.

Temperature limiting valves are available, see manual.

Avis : Des mitigeurs sont recommandés pour réduire la température au point d'utilisation en mélangeant l'eau chaude et froide dans les embranchements des conduits d'eau. Il est recommandé que les mitigeurs installés soient conformes avec la norme ASSE 1017 pour les mitigeurs thermostatiques des systèmes de distribution de l'eau chaude.

Time/Temperature Relationship in Scalds

Temperature	Time To Produce a Serious Burn
120°F	More than 5 minutes
125°F	1½ to 2 minutes
130°F	About 30 seconds
135°F	About 10 seconds
140°F	Less than 5 seconds
145°F	Less than 3 seconds
150°F	About 1½ seconds
155°F	About 1 second

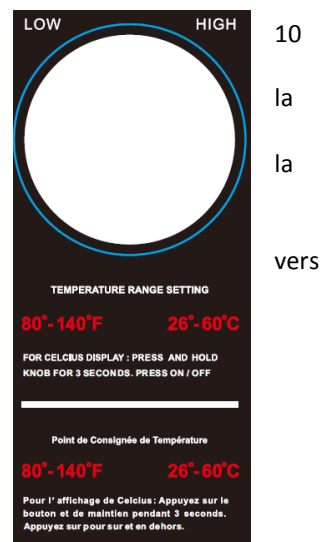
Table courtesy of Shriners Burn Institute

Le tableau ci-dessus peut être utilisé comme guide pour déterminer la température appropriée pour votre maison.



DANGER : Les demeures avec de petits enfants, des handicapés ou des personnes âgées peuvent nécessiter un réglage de thermostat (48,9°C) (120°F) ou plus bas pour éviter d'entrer en contact avec de l'eau « CHAUDE ». La température de l'eau dans le chauffe-eau est contrôlée par la commande électronique à l'avant de celui-ci. Pour être conforme avec les règles de sécurité, le thermostat a été réglé à 48,9°C (120°F) avant la livraison du chauffe-eau à partir de l'usine.

Veuillez consulter la section pour en apprendre davantage sur le réglage de température de votre chauffe-eau. Tournez vers droite pour augmenter la température (jusqu'à 54,4°C [140°F]) ou tournez la gauche pour diminuer la température (aussi bas que 26,7°C [80°F]), la température s'affiche sur l'écran par-dessus le bouton.



INFORMATION CONCERNANT LE CHAUFFE-EAU SANS RÉSERVOIR

Félicitations pour l'achat de votre chauffe-eau électrique sans réservoir! Vous avez fait l'acquisition du chauffe-eau électrique sans réservoir le plus avancé technologiquement sur le marché aujourd'hui.

Votre nouveau chauffe-eau électrique sans réservoir présente un débit d'eau et des sondes thermiques avancées conçus pour réguler l'alimentation des éléments chauffants afin de maintenir la température d'eau réglée par l'utilisateur à la sortie entre 26,7°C (80°F) et 60°C (140°F) (selon la température de l'eau à l'entrée et la puissance du modèle choisi).

Afin d'avoir la meilleure performance et de profiter des meilleures économies d'énergie de votre chauffe-eau électrique sans réservoir, il est important qu'il soit installé conformément avec nos instructions et les codes électriques et de plomberie applicables de votre région et vous devez lire complètement ce manuel pour connaître le guide d'utilisation ainsi que les conseils qui s'y rattachent.

Si vous avez des questions, contactez-nous directement en tout temps au :

EcoSmart Green Energy Products
400 Captain Neville Drive, Waterbury, CT 06705
Numéro sans frais : 1-877-474-6473
Support@EcoSmartUS.com

TABLE DES MATIÈRES

1. AVANT L'INSTALLATION
2. CHOISIR UN EMPLACEMENT D'INSTALLATION
3. INSTALLATION DE VOTRE CHAUFFE-EAU
4. INSTALLATION DE PLOMBERIE
5. INSTALLATION ÉLECTRIQUE
6. GUIDE DES CAPACITÉS
7. INSTRUCTIONS GÉNÉRALES D'UTILISATION
8. ENTRETIEN
9. GUIDE DE DÉPANNAGE
10. INTERFACE UTILISATEUR

1- AVANT L'INSTALLATION

VEUILLEZ LIRE CES INSTRUCTIONS AU COMPLET ET EN PROFONDEUR AVANT L'INSTALLATION ET L'UTILISATION. LE FAIT DE NE PAS SUIVRE CES INSTRUCTIONS POURRAIT PROVOQUER DES DOMMAGES MATÉRIELS, DE GRAVES DOMMAGES CORPORELS OU MÊME LA MORT.

En installant ce produit, vous admettez connaître les conditions stipulées dans la garantie du fabricant. Une fois que le chauffe-eau est installé, ne retournez pas le produit à l'endroit de l'achat. Si vous avez des questions concernant la garantie ou les politiques de retour du produit, veuillez contacter EcoSmart au 1-877-474-6473.

Inspectez toutes les composantes. Le contenu de votre boîte devrait inclure l'une des unités suivantes :

- ECO 8
- ECO 11
- ECO 18
- ECO 24
- ECO 27
- ECO 36

2- CHOISIR UN EMPLACEMENT D'INSTALLATION

Ce produit est conçu pour être installé à l'intérieur uniquement. Vous pourriez installer votre unité dans un emplacement extérieur du moment qu'un coffret approprié soit mis en place pour la protéger de la pluie, des éclaboussures d'eau, des rayons solaires directs, des débris et des insectes.

N'installez PAS ce produit dans un emplacement où il peut être exposé à des températures sous le point de congélation. Si l'eau à l'intérieur de votre chauffe-eau sans réservoir gèle, celle-ci peut provoquer d'importants dommages permanents qui ne sont pas couverts dans le cadre de votre garantie.

Ne placez PAS le chauffe-eau dans un endroit difficile d'accès.

Assurez-vous que le chauffe-eau et le tuyau de sortie d'eau chaude ne sont pas à portée de main des enfants de façon à ce qu'ils ne puissent pas modifier les réglages de températures ou se blesser en touchant le tuyau de sortie d'eau chaude. Le tuyau de sortie d'eau devient très chaud.

Ce produit ne nécessite PAS de ventilation.

Évitez d'installer votre chauffe-eau sans réservoir dans un endroit enclin à l'humidité, la buée ou la poussière ou dans des zones où il peut y avoir des éclaboussures d'eau ou d'autres liquides. N'installez PAS le chauffe-eau sous des conduits d'eau ou des conduits de climatisation qui peuvent couler ou faire de la condensation qui pourrait dégoutter dans le chauffe-eau. N'installez PAS le chauffe-eau au-dessus d'une boîte ou d'une jonction électrique.

AVERTISSEMENT Le chauffe-eau ne doit pas être placé dans un endroit où les fuites provoqueront des dommages dans les zones adjacentes ou à un étage inférieur du bâtiment. Aux endroits où de telles zones ne peuvent être évitées, il est recommandé qu'un égouttoir approprié, correctement drainé, soit installé sous le chauffe-eau.

3- INSTALLATION DE VOTRE CHAUFFE-EAU

Votre chauffe-eau sans réservoir devrait être fixé à la surface d'installation avec 4 vis (longueur minimum de 2,54 cm [1 po]) en utilisant les supports de fixation intégrés de chaque côté du chauffe-eau. Assurez-vous que la surface d'installation est solide et sécuritaire et assurez-vous que l'unité est de niveau avant de serrer les vis. Pour faciliter l'installation et l'entretien, nous recommandons que ce produit soit installé dans une position verticale avec les connexions d'entrée et de sortie d'eau dans le bas de l'unité pour l'ECO 18, l'ECO 24, l'ECO 27 et l'ECO 36 et avec les connexions d'entrée et de sortie d'eau du côté gauche ou droit pour les unités ECO 8 et ECO 11.

Dégagement recommandé : 30,5 cm (12 po) au-dessus et sous le chauffe-eau
15,2 cm (6 po) à l'avant et sur les côtés du chauffe-eau

AVERTISSEMENT Les matières combustibles devraient être conservées à au moins 61 cm (24 po) de distance du chauffe-eau et des tuyaux d'eau chaude.

4- INSTALLATION DE PLOMBERIE

Suivez soigneusement toutes les instructions de plomberie. Nous recommandons que ce produit soit installé par un plombier qualifié et détenant les cartes de compétence applicables selon les codes nationaux, provinciaux, d'état et régionaux.

Instructions d'installation

Étape 1 : Branchez le tuyau d'EAU CHAUDE au tuyau de SORTIE du chauffe-eau situé du côté gauche du chauffe-eau lorsque vous êtes face à l'unité. Branchez le tuyau d'EAU FROIDE au tuyau d'ENTRÉE du chauffe-eau situé du côté droit du chauffe-eau lorsque vous êtes face à l'unité.

Étape 2 : Après avoir serré les deux raccords sur le chauffe-eau, ouvrez plusieurs robinets d'eau chaude et laissez l'eau circuler à travers le chauffe-eau pendant au moins 2 à 3 minutes. Ce processus permet de purger l'air des conduits d'eau et DOIT être effectué avant de mettre en marche l'alimentation sur l'unité. LE FAIT DE NE PAS SUIVRE CETTE ÉTAPE POURRAIT ENDOMMAGER DE MANIÈRE PERMANENTE LES ÉLÉMENTS CHAUFFANTS. Si un entretien est effectué sur le chauffe-eau ou la plomberie de la maison et que cela peut introduire de l'air dans les conduits de plomberie, il est important de couper l'alimentation du chauffe-eau et d'enlever l'air des conduits avant de laisser l'unité se remettre en marche.

Étape 3 : Inspectez soigneusement tous les raccordements, raccord-union et la soupape de décharge (si celle-ci est installée) pour vérifier la présence de fuites.

REMARQUES IMPORTANTES :

1. Ne soudez pas les conduits lorsque l'unité est reliée à ceux-ci; la chaleur provenant de la soudure peut endommager le capteur de débit. Cela annulerait la garantie.
2. Ce chauffe-eau automatique sans réservoir est équipé d'un thermostat commandé par ordinateur et d'un thermostat interrupteur électromécanique à réinitialisation automatique pour une protection contre les températures élevées. Puisque ce produit n'utilise pas de réservoir de stockage, l'utilisation d'une soupape de décharge et de sécurité thermique (T&P) n'est pas requise dans la plupart des installations. La norme UL 499 NE nécessite PAS l'utilisation d'une soupape de décharge. Cependant, une soupape de décharge peut être nécessaire afin de répondre aux normes du code d'installation de votre région. Si vous devez en installer une, installez la soupape de décharge selon les codes locaux et assurez-vous qu'elle fonctionne correctement et que l'air est purgé de la soupape avant d'installer le chauffe-eau. Lorsque vous branchez les tuyaux CPVC Flex ou haute température, nous recommandons l'utilisation d'une soupape de sûreté pour augmenter la sécurité.

Remarque : Les installations dans le Commonwealth du Massachusetts et dans l'état du Kentucky nécessitent l'installation d'une soupape de décharge. Veuillez vérifier vos codes locaux d'installation pour connaître les exigences spéciales.

3. La pression d'eau maximale de fonctionnement est de 150 PSI. Si la pression d'eau est plus élevée, un détendeur-régulateur de pression doit être installé sur l'entrée d'eau principale avant d'installer le chauffe-eau électrique sans réservoir.
4. Nous recommandons l'utilisation de tuyaux à eau flexibles avec votre chauffe-eau lors de l'installation. Lorsque vous raccordez le tuyau d'entrée d'eau à l'unité, assurez-vous d'utiliser une clé à ouverture fixe pour maintenir le raccord de l'unité et une autre clé pour serrer, de manière à ce que le capteur de débit de l'unité ne soit pas desserré ou endommagé. D'importants dommages à l'intérieur du chauffe-eau peuvent se produire si les raccords d'entrée et de sortie sont trop serrés ou si des raccords soudés sont effectués.
5. Nous recommandons d'installer un robinet d'arrêt manuel (un robinet à bille) sur l'entrée et la sortie du chauffe-eau, de manière à ce qu'un point de fermeture accessible soit disponible dans les cas d'entretien ou de service sur garantie. Il est extrêmement important de purger la ligne avant de raccorder les tuyaux au chauffe-eau pour éliminer la pâte ou les résidus présents dans les conduits de plomberie provoqués par le soudage.

Nous recommandons que tous les conduits ou tuyaux à moins de 91,4 cm (3 pi) des raccords d'entrée ou de sortie soient homologués pour une utilisation à température élevée, au minimum de 65,6°C (150°F).

5- INSTALLATION ÉLECTRIQUE

EcoSmart recommande que ce produit soit installé par un électricien qualifié et détenant les cartes de compétence applicables selon les codes électriques nationaux, provinciaux, d'état et régionaux. Comme avec tous les appareils électriques, vous ne devriez en aucun cas essayer d'installer, réparer ou désassembler ce chauffe-eau sans avoir fermé complètement l'alimentation de l'unité directement au boîtier de fusibles ou de disjoncteurs. **Assurez-vous de fermer tous les disjoncteurs. DE GRAVES DOMMAGES CORPORELS OU LA MORT PEUVENT SURVENIR SI VOUS IGNOREZ CET AVERTISSEMENT.**

L'ensemble du câblage (calibre du fil) et de la protection de circuit (disjoncteurs) doit être conforme avec le Code d'électricité national aux États-Unis (NEC) ou le Code canadien de l'électricité au Canada. L'incapacité de respecter ces codes pourrait provoquer des dommages matériels et/ou corporels et annuler la garantie. Remarque : Le code canadien de l'électricité exige généralement que tous les fils et circuits de protection utilisés pour le chauffe-eau domestique et les installations de système de chauffage d'eau possèdent un calibre d'au moins 125 % du courant nominal maximal du chauffe-eau (voir les spécifications du modèle ci-dessous pour obtenir plus de détail).

Avant d'installer ce produit, assurez-vous que la maison possède un circuit électrique suffisamment puissant pour accueillir l'intensité de courant maximum du modèle choisi.

REMARQUES IMPORTANTES :

Les modèles ECO 8 et ECO 11 nécessitent 1 ensemble de fils et de mise à la terre (**consultez le schéma de câblage**)

Les modèles ECO 18 nécessitent 2 ensembles de fils et de mise à la terre (**consultez le schéma de câblage**)

Les modèles ECO 24 et ECO 27 nécessitent 3 ensembles de fils et de mise à la terre (**consultez le schéma de câblage**)

Le modèle ECO 36 nécessite 4 ensembles de fils et de mise à la terre (**consultez le schéma de câblage**)

Veillez consulter les spécifications électriques par modèle et le schéma de câblage sur la page suivante pour obtenir de l'information électrique supplémentaire.

Chaque ensemble de fils doit être connecté à son propre disjoncteur bipolaire.

Instructions d'installation

ÉTAPE 1 : Prenez chaque paire de fils et connectez-les à un disjoncteur (consultez le schéma de câblage).

Assurez-vous que chaque disjoncteur est connecté avec un fil blanc et un fil rouge

ÉTAPE 2 : À l'aide d'un fil de calibre approprié qui satisfait à tous les codes électriques en vigueur pour la taille des disjoncteurs utilisés, acheminez la bonne quantité de fil du panneau de disjoncteurs principal de la maison jusqu'au chauffe-eau sans réservoir.

ÉTAPE 3 : Un conducteur de mise à la terre séparé pour chaque circuit d'entrée est requis.

ÉTAPE 4 : FAITES UNE DOUBLE VÉRIFICATION des connexions électriques afin de vous assurer qu'elles sont correctes et que toutes les connexions de fils sont serrées et solides. Assurez-vous que la taille du disjoncteur et le calibre de fil approprié ont été utilisés et confirmez que l'unité a été connectée à une mise à la terre conformément aux codes en vigueur.

ÉTAPE 5 : Assurez-vous que tout l'air a été purgé des conduits d'eau avant de mettre l'unité en marche. Consultez l'ÉTAPE 2 dans la section d'installation de la plomberie.

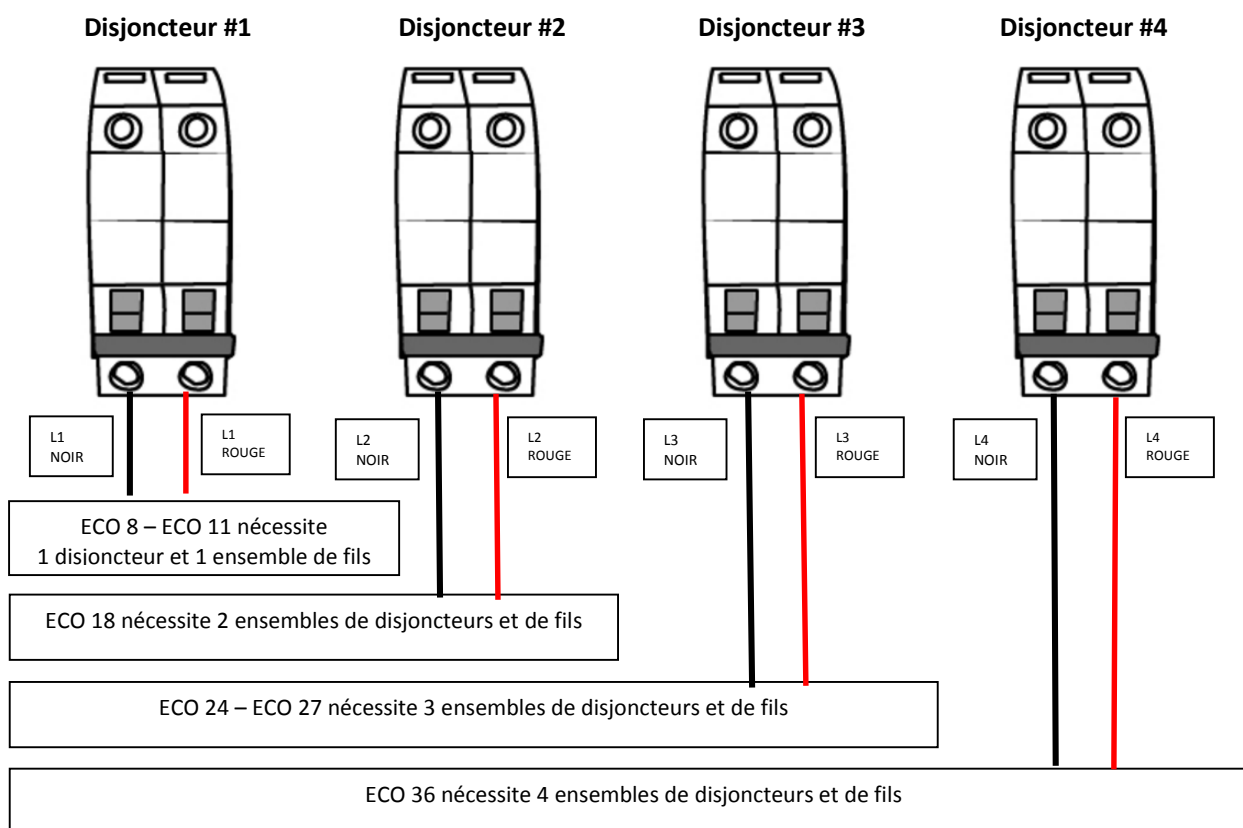
AVERTISSEMENT Assurez-vous que vous avez effectué les connexions correctement. Vous devez respecter le schéma de câblage pour vous assurer du fonctionnement approprié de l'unité. Si vous mélangez un ensemble de fils avec un autre, l'unité pourrait ne pas fonctionner correctement même si vous la mettez en marche et qu'elle devrait fonctionner correctement.

Le chauffe-eau est maintenant installé et prêt à être utilisé! Suivez les instructions générales d'utilisation pour terminer le réglage. Nous recommandons fortement d'effectuer cela en présence du propriétaire.

Spécifications électriques par modèle

MODÈLES	ECO 8	ECO11	ECO 18	ECO 24	ECO 27	ECO 36
ÉLÉMENTS	1	2	2	3	3	4
TENSION	240 V	240 V	240 V	240 V	240 V	240 V
KW MAX	8 kW	13 kW	18 kW	24 kW	27 kW	36 kW
KW PAR ÉLÉMENT	8 kW	6,5 kW	9 kW	8 kW	9 kW	9 kW
DÉBIT EN AMPÈRE MAX	33 AMPÈRES	54 AMPÈRES	75 AMPÈRES	100 AMPÈRES	112,5 AMPÈRES	150 AMPÈRES
DISJONCTEURS REQUIS	1 x 40 AMPÈRES	1 x 60 AMPÈRES	2 x 40 AMPÈRES	3 x 40 AMPÈRES	3 x 40 AMPÈRES	4 x 40 AMPÈRES
CALIBRE DE FIL REQUIS	1 x 8 AWG	1 x 6 AWG	2 x 8 AWG	3 x 8 AWG	3 x 8 AWG	4 x 8 AWG

SCHÉMA DE CÂBLAGE



Réglage Du Cavalier De 208 volts

Lorsque vous utilisez 208 volts pour ces unités plutôt que 240 volts, vous devez modifier le réglage pour assurer la fonctionnalité appropriée de l'unité. L'utilisation de 208 volts procurera 75 % de la capacité totale. Il existe deux types différents de tableaux de contrôle : à trou traversant et à montage en surface. Pour recevoir de l'aide afin de déterminer le type de tableau de commande, veuillez visiter EcoSmartUS.com.

Model	ECO 8	ECO 11	ECO 18	ECO 24	ECO 27	ECO 36
Nouveau réglage du cavalier (à trou traversant)	8	8	5.5	5.5	5.5	7
Nouveau réglage du cavalier (à montage en surface)	8	7	7	5.5	7	7

6- GUIDE DES CAPACITÉS

Veillez utiliser le tableau ci-dessous pour connaître la capacité en gallons par minute que votre chauffe-eau peut produire avec la température de votre eau à l'entrée. Les gallons par minute sont calculés en prenant une température à la sortie de 65,6°C (150°F).

Température de l'eau à l'entrée	ECO 8	ECO 11	ECO 18	ECO 24	ECO 27	ECO 36
4,4°C (40°F)	0,8	1,4	1,9	2,5	2,8	3,8
7,2°C (45°F)	0,9	1,5	2,0	2,7	3,1	4,1
10°C (50°F)	1,0	1,6	2,2	3,0	3,4	4,5
12,8°C (55°F)	1,1	1,8	2,5	3,3	3,7	4,9
15,6°C (60°F)	1,2	2,0	2,7	3,6	4,1	5,5
18,3°C (65°F)	1,4	2,2	3,1	4,1	4,6	6,1
21,1°C (70°F)	1,6	2,5	3,5	4,7	5,3	7,0
23,9°C (75°F)	1,8	3,0	4,1	5,5	6,1	8,2
26,7°C (80 F)	2,2	3,6	4,9	6,6	7,4	9,8

(Gallons par minute)

RÉGULATEUR DE DÉBIT – OPTIONNEL

Afin de vous assurer une température de sortie et une performance globale optimale de votre chauffe-eau sans réservoir, il peut être nécessaire d'installer un régulateur de débit. Ces régulateurs de débit sont installés sur le raccord de sortie de votre chauffe-eau sans réservoir et limitent le volume maximum à la sortie de votre unité à un débit spécifique afin d'éviter que la température à la sortie soit trop froide. Pour en apprendre plus au sujet des régulateurs de débit ou pour savoir où acheter l'un de nos chauffe-eau sans réservoir, visitez notre site Internet au EcoSmartUS.com ou communiquez avec nous au 1-877-474-6473.

Étapes pour choisir un régulateur de débit

1. Trouvez votre modèle dans le tableau à gauche
2. Sélectionnez la colonne avec la température d'eau d'entrée la plus près de votre emplacement géographique
3. Prenez le nombre de gallons par minute que vous trouvez et trouvez le régulateur de débit correspondant à droite

	Température de l'eau à l'entrée			
	23,9°C (40°F)	10°C (50°F)	15,6°C (60°F)	21,1°C (70°F)
ECO 8	1,0	1,0	1,0	1,5
ECO 11	1,0	1,0	1,5	2,0
ECO 18	2,0	2,0	2,0	3,0
ECO 24	2,0	2,0	3,0	4,0
ECO 27	2,0	3,0	4,0	5,0
ECO 36	3,0	4,0	5,0	5,0

Numéro de pièce EcoSmart	Débit maximum	Taille du raccord
ECO IFR 1-2	1 gallon par minute	Compression de 1,27 cm (1/2 po)
	1,5 gallon par minute	Compression de 1,27 cm (1/2 po)
	2,0 gallons par minute	Compression de 1,27 cm (1/2 po)
ECO IFR 3-4	2 gallons par minute	Pas de tuyauterie de 1,9 cm (3/4 po)
	3,0 gallons par minute	Pas de tuyauterie de 1,9 cm (3/4 po)
	4,0 gallons par minute	Pas de tuyauterie de 1,9 cm (3/4 po)
	5,0 gallons par minute	Pas de tuyauterie de 1,9 cm (3/4 po)

*Sélection basée sur la température d'entrée ci-dessus et la température de sortie à 65,6 °C (150 °F).

7- INSTRUCTIONS GÉNÉRALES D'UTILISATION

L'utilisation de votre nouveau chauffe-eau sans réservoir est similaire à l'utilisation d'un système de chauffe-eau traditionnel. Cependant, il est très important que vous lisiez soigneusement toutes les procédures de réglage et les instructions d'utilisation ainsi que les conseils afin de profiter d'une performance et d'une économie d'énergie maximum pour votre nouveau chauffe-eau. Nous recommandons que tous les membres du ménage lisent les instructions générales d'utilisation.

Fonctionnement de votre nouveau chauffe-eau : Votre chauffe-eau sans réservoir n'emmagasine pas l'eau chaude comme un chauffe-eau avec réservoir conventionnel. Il contient des éléments chauffants très puissants qui sont capables de chauffer l'eau à la demande. Dès que vous ouvrez le robinet d'eau chaude, un capteur de débit sophistiqué détecte l'ouverture du robinet et la circulation d'eau. Ce capteur mesure le débit d'eau pendant qu'un autre capteur mesure la température de l'eau à l'entrée. Cette information est transmise en permanence aux commandes logiques informatisées qui déterminent la puissance à envoyer aux éléments chauffants pour chauffer l'eau à la température désirée. Une fois que le robinet d'eau chaude est fermé, votre chauffe-eau s'arrête automatiquement.

8- ENTRETIEN

Afin d'assurer la performance maximale de votre chauffe-eau et pour réduire les risques de fuite d'eau, nous recommandons les entretiens suivants :

Inspectez les raccords sur l'entrée et la sortie du chauffe-eau au moins une fois par année pour détecter tout signe de dommage ou de mauvais fonctionnement. Tous dommages, fissures, fuites ou faiblesses doivent être réparés. Faites attention de ne pas trop serrer les raccords. D'importants dommages à votre chauffe-eau peuvent se produire si vous serrez trop les raccords qui sont liés à l'unité.

REMARQUES IMPORTANTES :

Comme avec tous les appareils électriques, vous ne devriez en aucun cas essayer d'installer, réparer ou désassembler ce chauffe-eau sans avoir fermé complètement l'alimentation de l'unité directement au boîtier de fusibles ou de disjoncteurs. **DE GRAVES DOMMAGES CORPORELS OU LA MORT PEUVENT SURVENIR SI VOUS IGNOREZ CET AVERTISSEMENT.**

Lorsqu'un entretien est effectué sur le chauffe-eau ou la plomberie de la maison et que cela peut introduire de l'air dans les conduits de plomberie, il est important de couper l'alimentation du chauffe-eau et d'enlever l'air des conduits avant de laisser l'unité se remettre en marche. **LE FAIT DE NE PAS EFFECTUER CETTE PROCÉDURE POURRAIT ENDOMMAGER DE MANIÈRE PERMANENTE LES ÉLÉMENTS CHAUFFANTS ET ANNULER LA GARANTIE.**

Si votre eau contient une grande quantité de minéraux (eau dure), vous devriez augmenter la fréquence des entretiens.

9- GUIDE DE DÉPANNAGE

Avez-vous des problèmes avec votre chauffe-eau?

Veuillez appeler ou envoyer un courriel au service à la clientèle et à l'équipe de soutien technique si vous avez besoin d'aide.

NUMÉRO SANS FRAIS 1-877-474-6473

support@ecosmartUS.com

Le tableau suivant affiche certaines des questions techniques les plus communes. Avant de nous contacter, veuillez le lire en entier pour voir si votre question ou problème est traité.

PROBLÈME	CAUSE POSSIBLE	SOLUTION
Le chauffe-eau ne chauffe pas du tout (l'eau circule, mais l'unité de chauffe pas - la température d'eau à la sortie est la même que la température d'eau à l'entrée) - l'affichage numérique ne s'allume PAS.	Pas d'alimentation ou mauvais câblage.	Vérifiez les disjoncteurs sur le panneau électrique principale pour vous assurer qu'ils sont OUVERTS. Vous pouvez avoir un disjoncteur de défectueux ou l'unité peut être mal branchée.
	Le débit/pression d'eau est trop bas.	Votre chauffe-eau a un débit d'eau d'activation d'environ 0,3 gallon par minutes. Si votre débit d'eau est inférieur à ce niveau, votre unité ne s'activera pas. Augmentez le débit d'eau.
Le chauffe-eau ne chauffe pas du tout (l'eau circule, mais l'unité de chauffe pas - la température d'eau à la sortie est la même que la température d'eau à l'entrée) - l'affichage numérique S'ALLUME.	Mauvais fonctionnement des pièces internes.	Veillez nous contacter pour l'assistance technique.
Le chauffe-eau chauffe, mais la température de l'eau n'est pas assez élevée.	Le réglage de température est trop bas.	Augmentez le réglage de température sur l'unité.
	Le débit est trop élevé.	Selon la température de votre eau à l'entrée et la puissance de sortie de votre modèle, votre débit d'eau peut dépasser la capacité de chauffage physique de votre chauffe-eau. Réduisez le débit en installant un régulateur de débit EcoSmart. Utilisez le tableau dans la section 6 pour déterminer lesquels des régulateurs de débit fonctionnent le mieux selon votre modèle.
	Fils croisés.	S'il s'agit d'une nouvelle installation, faites vérifier votre câblage à nouveau par un électricien. Il est possible que le câblage soit incorrect.
	La tension est inférieure à 240 volts.	Les éléments chauffants sur votre chauffe-eau sont conçus pour une tension à 240 volts. Lorsque vous utilisez une tension plus basse, elles produisent moins de puissance calorifique. Vous devriez peut-être changer pour un modèle plus puissant.
	Se mélange avec trop d'eau froide.	Vous n'avez pas à mélanger une aussi grande quantité d'eau froide avec votre chauffe-eau sans réservoir comparé avec l'utilisation d'un chauffe-eau conventionnel. Vous pouvez aussi installer un dispositif mitigeur sur votre robinet qui permet de mélanger l'eau froide. Ces types de robinets peuvent habituellement se régler pour réduire la quantité d'eau froide mélangée.
La température de l'eau au robinet est moins élevée que le réglage de température sur mon chauffe-eau.	La tension est inférieure à 240 volts.	La puce électronique de votre chauffe-eau sans réservoir est programmée en fonction d'une tension d'entrée de 240 volts. Si vous avez une tension inférieure à 240 volts, cela peut affecter la lecture de l'affichage numérique sur votre chauffe-eau et lui faire afficher une température légèrement plus élevée que la température de sortie réelle. Pour compenser pour cela, augmentez le réglage de température sur votre chauffe-eau si vous voulez de l'eau chaude.
	Robinet mitigeur à équilibrage de la pression ou soupape de mélange.	Votre robinet peut posséder une fonctionnalité de mitigeur ou une soupape de mélange qui mélange automatiquement l'eau froide même lorsque vous placez le levier de commande ou la poignée à la position chaude. Ces dispositifs sont habituellement réglables de manière à ce que vous puissiez arrêter complètement le mélange. Vous pouvez compenser en augmentant le réglage de température sur votre chauffe-eau si vous voulez de l'eau chaude.
	Perte de chaleur en raison de longs tuyaux	Pendant que l'eau provenant du chauffe-eau passe à travers le système de distribution de l'eau vers votre robinet, une certaine quantité de chaleur est perdue, spécialement si la distance entre le chauffe-eau et le robinet est longue. Cela est normal. Vous pouvez compenser en augmentant le réglage de température sur votre chauffe-eau si vous voulez de l'eau chaude.

10- INTERFACE UTILISATEUR

Mise sous tension

- Appuyez sur le bouton de réglage, puis l'affichage s'allumera.
- Appuyez sur le bouton de réglage à nouveau et l'affichage s'éteindra.

Conversion C/F

- Appuyez sur le bouton de réglage pendant 3 secondes et l'affichage changera de Fahrenheit à Celsius ou vice versa

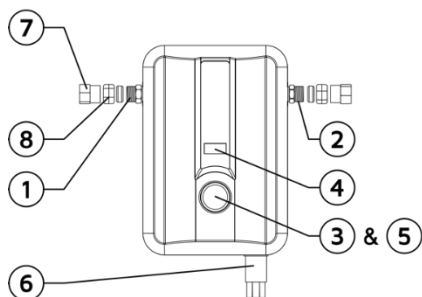
Contrôle de la température

- Tournez le bouton dans le sens des aiguilles d'une montre afin d'augmenter la température de sortie
- Tournez le bouton dans le sens contraire aux aiguilles d'une montre afin de diminuer la température de sortie
- Vous pouvez régler ou déterminer la température à n'importe quel moment à des températures de 27°C – 60°C (80°F à 140°F). La température peut être réglée au niveau désiré. L'affichage restera en marche seulement lorsque l'unité est utilisée ou lorsque vous réglez la température.

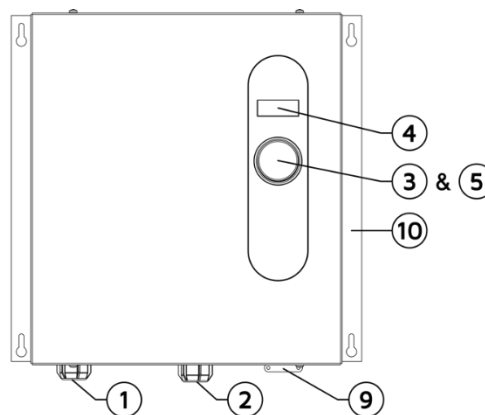
AVERTISSEMENT En enlevant le couvercle pour changer le réglage de la température, vous risquez de subir des décharges électriques et de provoquer un incendie, qui peut provoquer des BLESSURES OU LA MORT. Le réglage devrait être effectué seulement par un électricien ou un plombier compétent.

DANGER : De l'eau plus chaude augmente le potentiel d'ÉBOUILLANTAGE par eau chaude.

ECO 8 – ECO 11



ECO 18 – ECO 24 – ECO 27 – ECO 36



1. Sortie d'eau chaude

2. Entrée d'eau froide

3. Conversion Celsius/Fahrenheit (appuyez et maintenez pendant 3 secondes)

4. Affichage de la température de réglage

5. Bouton de réglage et contrôle de température

6. Fil de raccordement

7. Écrou de compression en laiton

8. Bague de compression en laiton

9. Réducteur de tension

10. Support de fixation 2,54 cm (1 po)

Numéro de modèle	Hauteur	Largeur	Profondeur	Distance au centre du tuyau
ECO 8	29,2 cm (11 1/2 po)	20,3 cm (8 po)	9,5 cm (3 3/4 po)	-
ECO 11	29,2 cm (11 1/2 po)	20,3 cm (8 po)	9,5 cm (3 3/4 po)	-
ECO 18	43,2 cm (17 po)	35,6 (14 po)	9,5 cm (3 3/4 po)	14,9 cm (5 7/8 po)
ECO 24	43,2 cm (17 po)	43,2 cm (17 po)	9,5 cm (3 3/4 po)	14,9 cm (5 7/8 po)
ECO 27	43,2 cm (17 po)	43,2 cm (17 po)	9,5 cm (3 3/4 po)	14,9 cm (5 7/8 po)
ECO 36	43,2 cm (17 po)	53,3 cm (21 po)	9,5 cm (3 3/4 po)	24,9 cm (9 13/16 po)

ECOSMART GREEN ENERGY PRODUCTS

GARANTIE DU FABRICANT

GARANTIE LIMITÉE SUR LE TERRITOIRE AUX ÉTATS-UNIS ET AU CANADA À L'EXTÉRIEUR DU TERRITOIRE DES ÉTATS-UNIS – 5 ANS

1. **GARANTIE DU PRODUIT** Les produits EcoSmart Green Energy garantissent à l'acheteur original à l'adresse originale ou le cessionnaire autorisé d'un tel acheteur (collectivement, nommé l'« Acheteur ») le chauffe-eau sans réservoir EcoSmart et ses composantes de toutes déficiences sur le matériel et la main-d'œuvre, dans le cadre d'une utilisation et d'un entretien normal à partir de la date d'installation, à condition que le Produit soit installé dans un délai de trente (30) jours à partir de la date de l'achat par un électricien et un plombier autorisé (preuve spécifique à l'appui) et entretenu conformément selon les instructions écrites des Produits. La garantie du produit entrera en vigueur à la date de l'enregistrement de la garantie aux bureaux d'EcoSmart aux États-Unis. L'enregistrement de la garantie est inclus dans le manuel d'entretien et d'utilisation fournis avec chaque nouveau produit et doit être complété en entier et soumis par télécopieur, par courrier ou sur le site Internet dans les (30) jours après avoir reçu le Produit. Les enregistrements incomplets de garantie ne seront pas acceptés. Les garanties de produit sont annulées dans le cas où l'Enregistrement de garantie n'est pas reçu dans les (30) jours suivant la réception du Produit.

DE TELLES GARANTIES NE COUVRENT PAS :

- Une défaillance du produit provoquée par l'accumulation de dépôt ou de tartre, la corrosion chimique, la corrosion par chlorure ou le gel.
- Une défaillance du produit provoquée en raison de la présence d'air dans le système qui n'aurait pas été enlevé avant ou pendant l'installation et l'utilisation.
- Une mauvaise utilisation du produit, une modification ou une mauvaise application, un dommage accidentel, une mauvaise installation ou l'utilisation d'une tension électrique inappropriée.
- Les coûts encourus pour la livraison, l'expédition, la manutention et/ou les frais administratifs.
- Les frais de main-d'œuvre de toute sorte.

LES GARANTIES QUI PRÉCÈDENT SONT EXCLUSIVES ET REMPLACENT TOUTE AUTRE GARANTIE, EXPLICITE OU IMPLICITE, INCLUANT SANS S'Y LIMITER, TOUTE GARANTIE TACITE DE QUALITÉ MARCHANDE ET DE CONVENANCE POUR UN USAGE PARTICULIER OU DE BREVET OU TOUTE AUTRE VIOLATION DE DROIT DE PROPRIÉTÉ INTELLECTUELLE.

2. **LIMITATION DES RECOURS ET DES INDEMNITÉS** : La responsabilité d'EcoSmart Green Energy Products et les recours exclusifs de l'Acheteur aux termes des présents seront limités uniquement à la réparation ou au remplacement du Produit sous garantie par le centre de service EcoSmart concernant toute réclamation effectuée dans le cadre de la Garantie applicable. EcoSmart Green Energy Products se réserve le droit d'accepter ou de rejeter une telle réclamation en tout ou en partie. EcoSmart Green Energy Products n'acceptera aucun retour de produit sans avoir d'abord reçu une approbation par écrit du centre de service EcoSmart et l'émission d'un numéro d'autorisation de retour de matériel clairement indiqué sur l'emballage de retour. ECOSMART GREEN ENERGY PRODUCTS NE SERA PAS RESPONSABLE SOUS AUCUNE CIRCONSTANCE POUR TOUS DOMMAGES INDIRECTS OU ACCESSOIRES, INCLUANT SANS S'Y LIMITER LES FRAIS DE MAIN-D'ŒUVRE OU LES PERTES DE PROFIT RÉSULTANT DE L'UTILISATION (OU L'INCAPACITÉ D'UTILISER) DES PRODUITS OU DES PRODUITS INTÉGRÉS OU DEVENANT UNE COMPOSANTE DE TOUT AUTRES PRODUITS OU MARCHANDISES.

3. **ENREGISTREMENT DE LA GARANTIE** : Pour être couvert par la garantie limitée du fabricant offert par EcoSmart Green Energy Products, l'Acheteur doit enregistrer le produit dans un délai de trente (30) jours civils après la réception du Produit à l'aide de la carte d'enregistrement de la Garantie, cette Garantie peut être soumise par courrier à ECOSMART GREEN ENERGY PRODUCTS SITUÉ AU **400 Captain Neville Drive, Waterbury, CT, 06705**. CETTE GARANTIE LIMITÉE DU FABRICANT OFFRANT DES AVANTAGES AUX ACHETEURS ORIGINAUX, EST ASSUJETTIE AUX CONDITIONS TELLES QU'ÉNONCÉES DANS LA PRÉSENTE. Conservez la documentation du produit dans un endroit sûr et sécuritaire. L'Acheteur à l'obligation dans le cadre des conditions d'achat et de vente de retourner l'enregistrement de garantie dans un délai prescrit (de 30 jours civils) et de conserver toutes les preuves d'achat et les reçus des installateurs pour la garantie afin de protéger les droits de l'Acheteur et profiter des avantages de la garantie limitée à vie du fabricant. La Garantie s'applique lorsqu'un Acheteur possède une preuve d'achat; et non uniquement avec la possession personnelle du Produit. Si le Produit doit être installé dans une nouvelle installation à une date dépassant les 30 jours de la date du reçu, envoyez des informations supplémentaires avant le délai de trente (30) jours lorsque vous les connaissez afin que nous puissions mettre le dossier de garantie à jour.

4. **AUTRES RESTRICTIONS ET EXCLUSIONS TOUCHANT VOTRE GARANTIE** : Cette garantie est annulée si le Produit n'est pas installé conformément aux codes électriques et de plomberie locaux et conformément aux instructions d'installation

spécifiées par le fabricant. Les codes locaux ont préséance sur les instructions du fabricant au moment de l'installation et si des pièces d'installations supplémentaires sont nécessaires, les coûts seront à la responsabilité de l'Acheteur. Les installations au niveau du sol doivent être protégées avec des bacs d'égouttement et des drains comme les codes l'indiquent pour les exigences en matière de protection utilisées pour les installations de réservoir d'eau chaude régulier. L'Acheteur accepte par la présente l'entière responsabilité de vérifier si la résidence où l'installation est effectuée possède suffisamment d'alimentation électrique pour faire fonctionner nos chauffe-eau électriques sans réservoir comme indiqué dans nos spécifications qui sont facilement accessibles sur notre site Internet au (WWW.ECOSMARTUS.COM), dans nos brochures et contenu dans l'emballage d'origine pour que les installateurs les lisent avant l'installation. Si, dans un délai de (30) jours de l'achat et avant l'installation, l'Acheteur détermine que l'unité acquise ne convient pas à ces demandes, l'Acheteur doit retourner l'unité au bureau EcoSmart. L'Acheteur est responsable de tous les frais liés au retour. Un Acheteur est admissible à un remboursement complet ou à un crédit UNIQUEMENT si l'unité retournée est reçue par EcoSmart dans un délai de trente (30) jours civils après la date sur le reçu d'achat ET que l'unité a été inspectée par EcoSmart et que celle-ci s'avère être dans la même condition qu'au moment de l'achat. L'Acheteur recevra un remboursement ou une unité de remplacement uniquement si ces deux conditions sont satisfaites. EcoSmart Green Energy Products n'acceptera aucun retour de produit sans avoir d'abord reçu une approbation par écrit de EcoSmart Green Energy Products et l'émission d'un numéro d'autorisation de retour de matériel clairement indiqué sur l'emballage de retour.

APRÈS (30) JOURS CIVILS DE LA DATE DE RÉCEPTION DU PRODUIT, IL N'Y AURA AUCUN RETOUR OU AUCUNE GARANTIE AVANT QU'ECOSMART AUX ÉTATS-UNIS NE REÇOIVE L'ENREGISTREMENT DE LA GARANTIE. L'ACHETEUR ACCEPTE TOUTES LES VENTES COMME FINALE. TOUTE ALTÉRATION AU PRODUIT ANNULE LES GARANTIES. ECOSMART GREEN ENERGY PRODUCTS N'EST RESPONSABLE D'AUCUN AUTRE FRAIS OU DÉPENSES ENCOURUS AUTRES QUE LE PRIX D'ACHAT ORIGINAL DU PRODUIT. ECOSMART GREEN ENERGY PRODUCTS ne peut être tenu responsable des dommages ou dépenses accessoires, spéciaux, accidentels ou contingents se produisant directement ou indirectement à partir d'une défectuosité dans ou sur le Produit; pas plus qu'EcoSmart Green Energy Products ne sera tenu responsable de tout dégât d'eau se produisant directement ou indirectement provenant de l'utilisation du Produit ou provoqué par la défaillance ou la défectuosité d'une composante ou d'un raccord de plomberie. EcoSmart Green Energy Products et l'Acheteur acceptent les conditions ci-dessus dans leur intégralité et acceptent toutes les ventes comme finale sans droit de recours à une compagnie de carte de crédit ou autre institution financière et s'entendent sur les dispositions et les spécifications décrites à l'intérieur de la garantie à vie limitée du fabricant.

5. Procédure de réparation sous garantie : Consultez un électricien autorisé pour déterminer le problème exact qui nécessite une réparation. Veuillez prendre note que le soutien technique est disponible pour les techniciens qualifiés uniquement (électriciens et/ou plombiers agréés). Le soutien technique qui implique des conditions électriques potentiellement dangereuses n'est pas offert à des personnes non qualifiées. Lorsque vous contactez le centre de service EcoSmart, assurez-vous que le technicien possède une copie originale de l'enregistrement de garantie et qu'il a passé en revue le « Manuel d'installation et du propriétaire » qui a été fourni avec le Produit. L'assistance technique EcoSmart, à sa discrétion exclusive, déterminera la meilleure méthode pour la réparation. Les méthodes de réparation comprennent, sans pour autant s'y limiter, le remplacement d'une pièce spécifique du Produit ou le remplacement complet de l'unité. Si un remplacement de l'unité est requis dans le cadre des conditions de la garantie du fabricant, l'unité originale doit être retournée au bureau d'ECOSMART. L'Acheteur doit faire autoriser les frais de retour et les coûts de l'unité de remplacement avec une carte de crédit valide aux États-Unis. Les formulaires d'autorisation de carte de crédit sont disponibles sur demande. Si l'unité à remplacer arrive au bureau EcoSmart dans un délai de dix (10) jours civils après la livraison de la nouvelle unité et que celle-ci est conforme aux spécifications de la garantie du fabricant, la carte de crédit ne sera pas facturée; autrement, l'Acheteur se verra facturer les coûts de l'unité de remplacement et les frais d'expédition comme convenu dans le formulaire d'autorisation de la carte de crédit. Si l'assistance technique EcoSmart détermine qu'une composante nécessite une réparation ou un remplacement aux termes de la garantie à vie limitée du fabricant, la pièce sera expédiée par livraison standard. **Si vous désirez avoir une expédition plus rapide, l'Acheteur doit en faire la sélection et payer les frais afférents.**

TOUTES LES QUESTIONS SUR NOTRE GARANTIE DE CINQ (5) ANS DOIVENT ÊTRE ADRESSÉES À NOTRE CENTRE DE SERVICE EN APPELANT AU NUMÉRO SANS FRAIS AU 877-474-6473 ENTRE 8 H ET 17 H DU LUNDI AU VENDREDI, HEURE DE L'EST. AUCUN RETOUR NE SERA ACCEPTÉ PAR ECOSMART SANS UNE APPROBATION PRÉALABLE ET L'ÉMISSION D'UN NUMÉRO D'AUTORISATION DE RETOUR DE MARCHANDISE INSCRIT À L'EXTÉRIEUR DE L'EMBALLAGE.

EcoSmart Green Energy Products • 400 Captain Neville Drive, Waterbury, CT, 06705 • NUMÉRO SANS FRAIS : 877-474-6473



USA AND CANADA:

EcoSmart Green Energy Products
400 Captain Neville Drive, Waterbury, CT 06705
Toll Free: 1-877-474-6473
Support@EcoSmartUS.com

PUERTO RICO:

Eemax Puerto Rico
Parque Industrial Los Frailes
Carretera #20, KM 5.2 Local #10
Toll Free: 877-474-6473, or 787-705-7605
Support@EcoSmartUS.com