



READ AND SAVE THESE INSTRUCTIONS FOR FUTURE REFERENCE

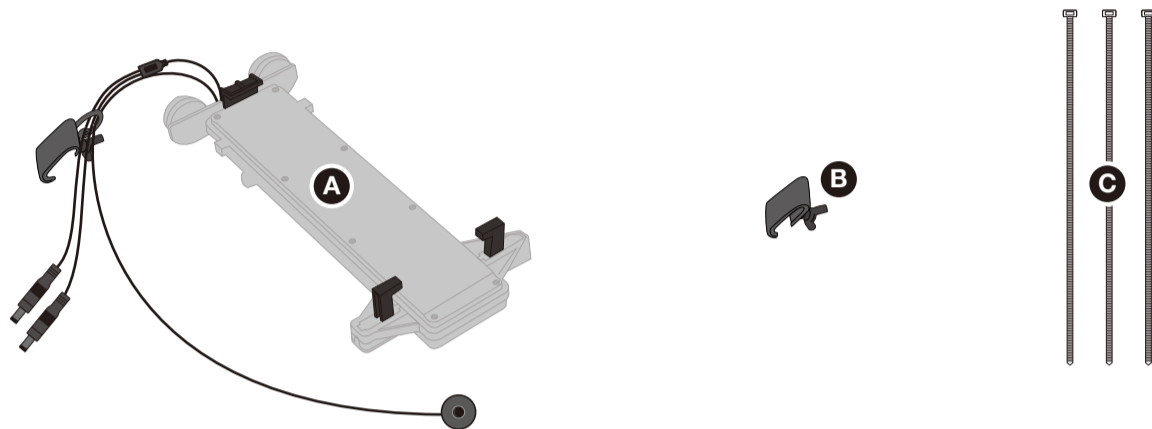
IF ANY PART IS MISSING OR BROKEN, DO NOT ATTEMPT TO ASSEMBLE THE PRODUCT AND CONTACT SVI CUSTOMER SERVICE FROM 8:30 AM TO 5:30 PM PST AT 1-855-428-3921, EMAIL CUSTOMERSERVICE@SVIUS.COM, OR CALL HOME ACCENTS HOLIDAY CUSTOMER SERVICE FROM MON-FRI 8:00 AM TO 7:00 PM AND SAT 9:00 AM TO 6:00 PM EST AT 1-855-HDHOLIDAY (1-855-434-6543).

IMPORTANT TIPS:

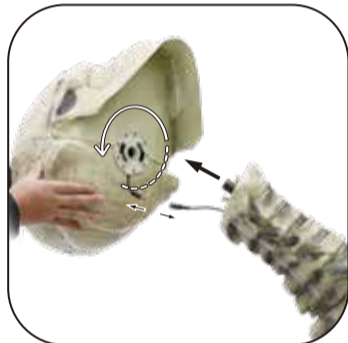
- If the item does not work, contact SVI Customer Service from 8:30 am to 5:30 pm PST at 1-855-428-3921, email customerservice@svius.com, or call Home Accents Holiday Customer Service from Mon-Fri 8:00 am to 7:00 pm and Sat 9:00 am To 6:00 pm EST at 1-855-HDHOLIDAY (1-855-434-6543).

PARTS LIST

- A. LED Unit x 1
- B. Clamp x 1
- C. Zip Ties x 3

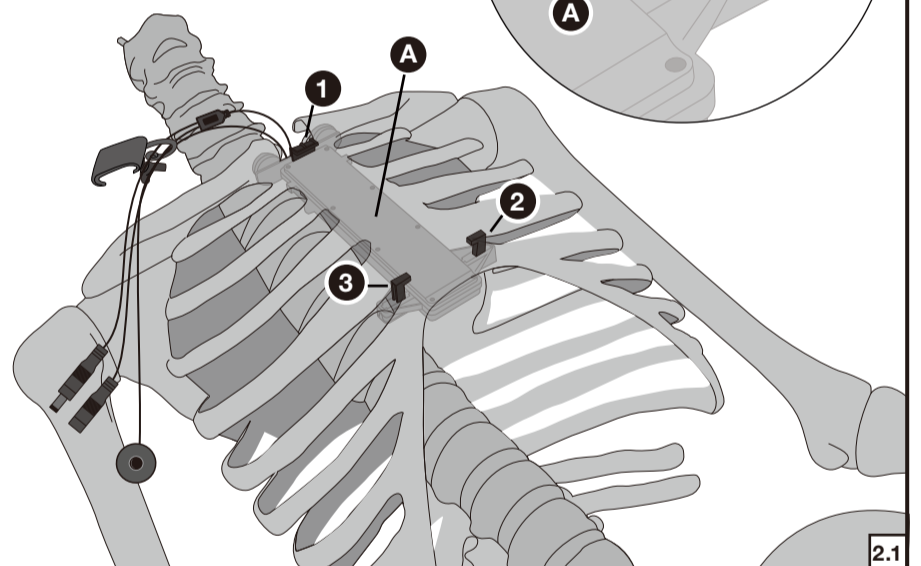
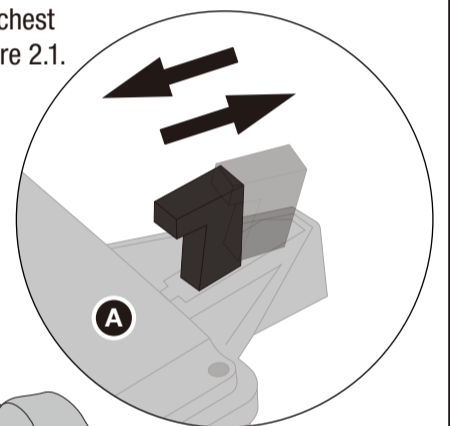


NOTE: It is recommended that at least two people assist with the installation of the Skeleton Lighting unit. Connect the Skeleton Lighting unit to the cables between the Chest and Head of the 12 Ft Skeleton.



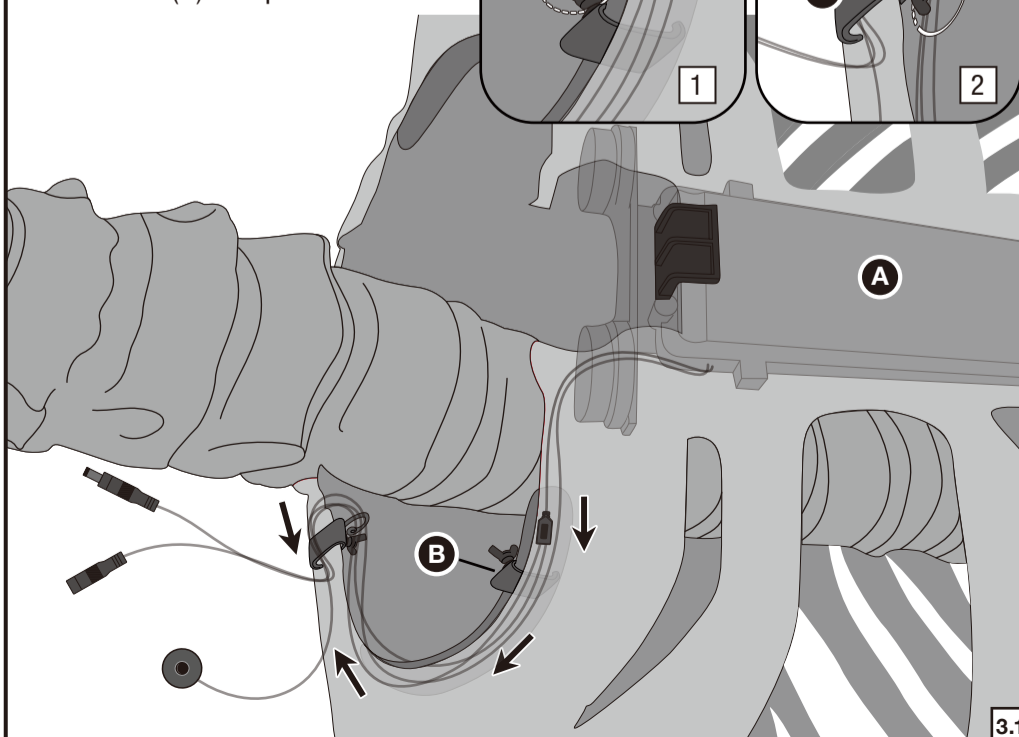
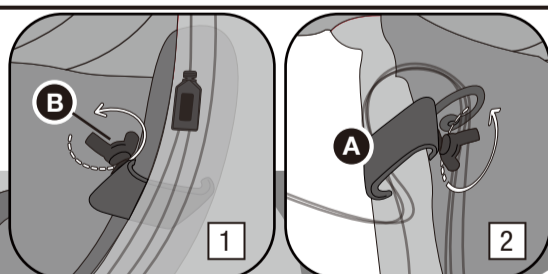
1.1

NOTE: Secure the (A) LED Unit to the inside of the chest by following steps 1, 2, 3 in order as shown in Figure 2.1.

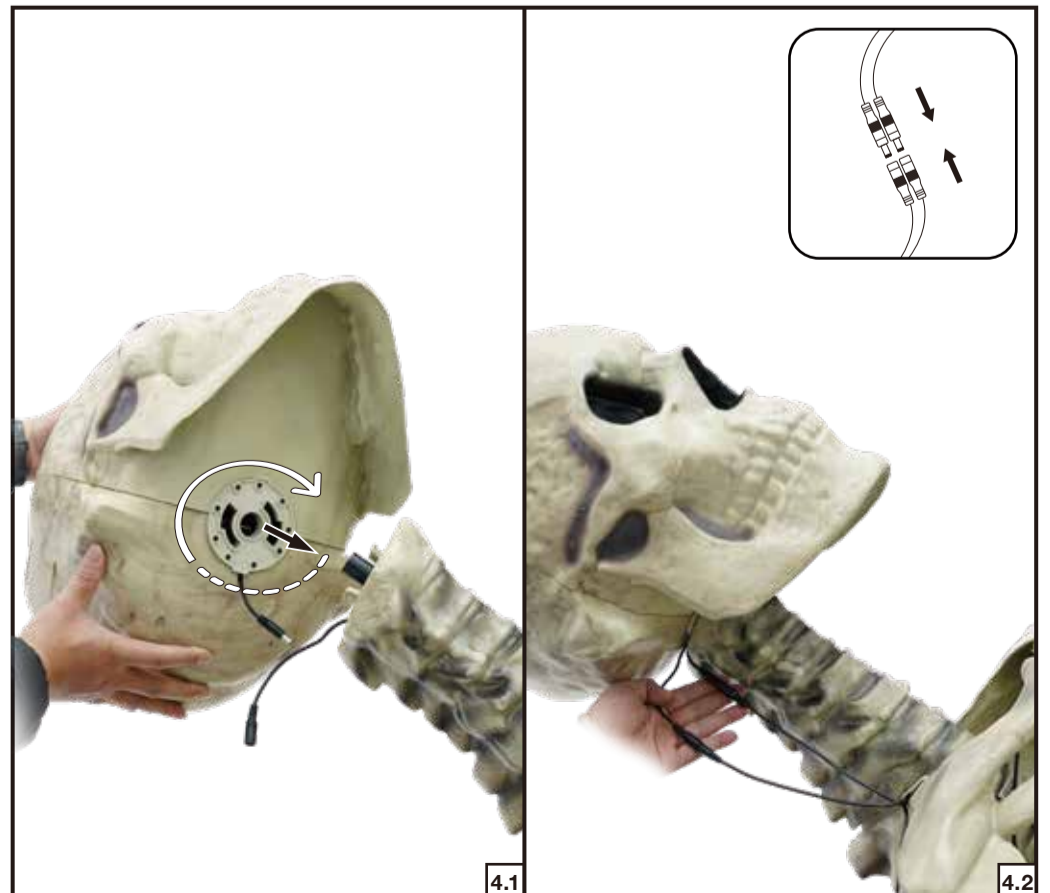


2.1

NOTE: Run the cable along the inside of the collar bone area and set the cables in the hooks available on the (A) LED Unit and (B) Clamp.



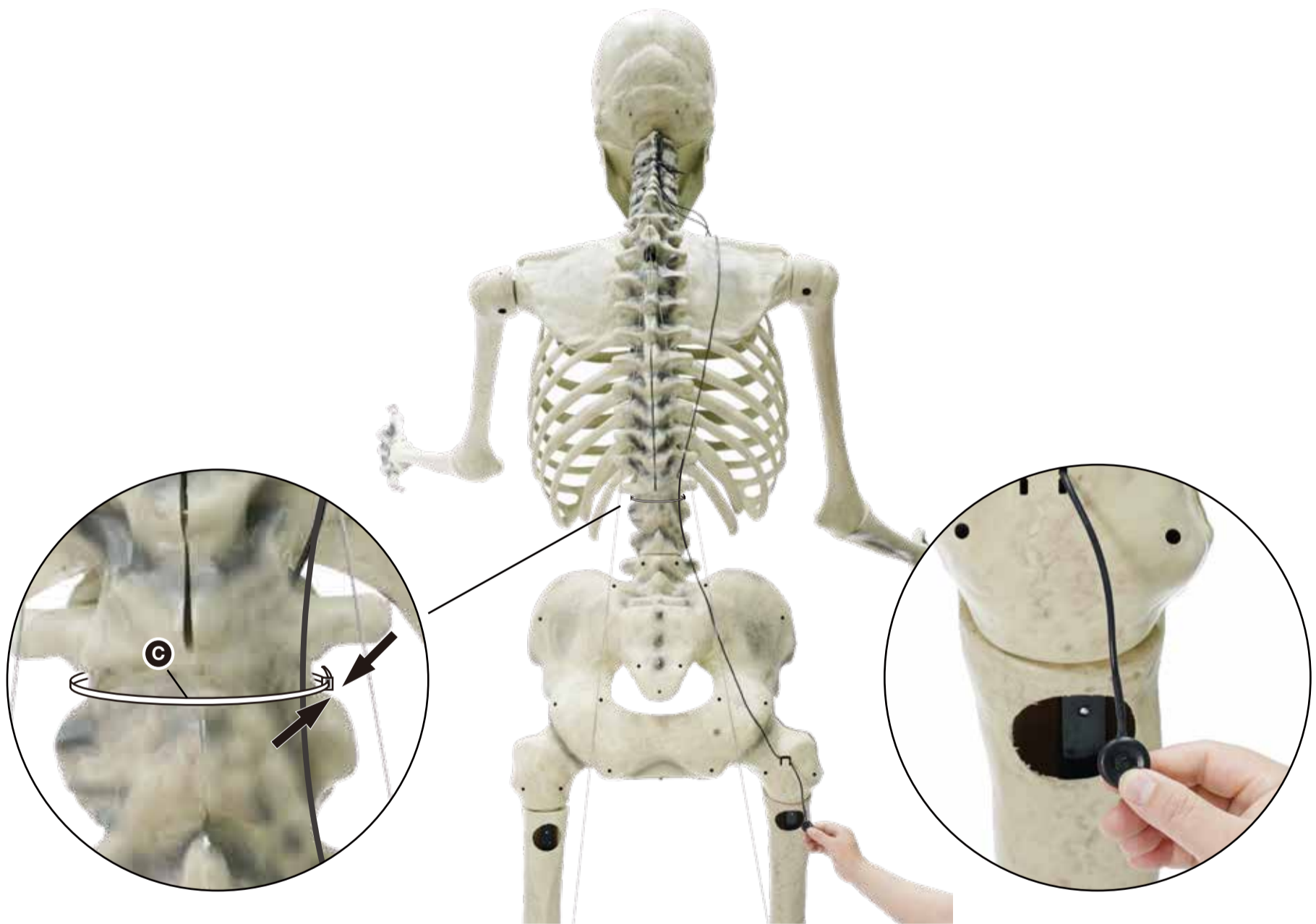
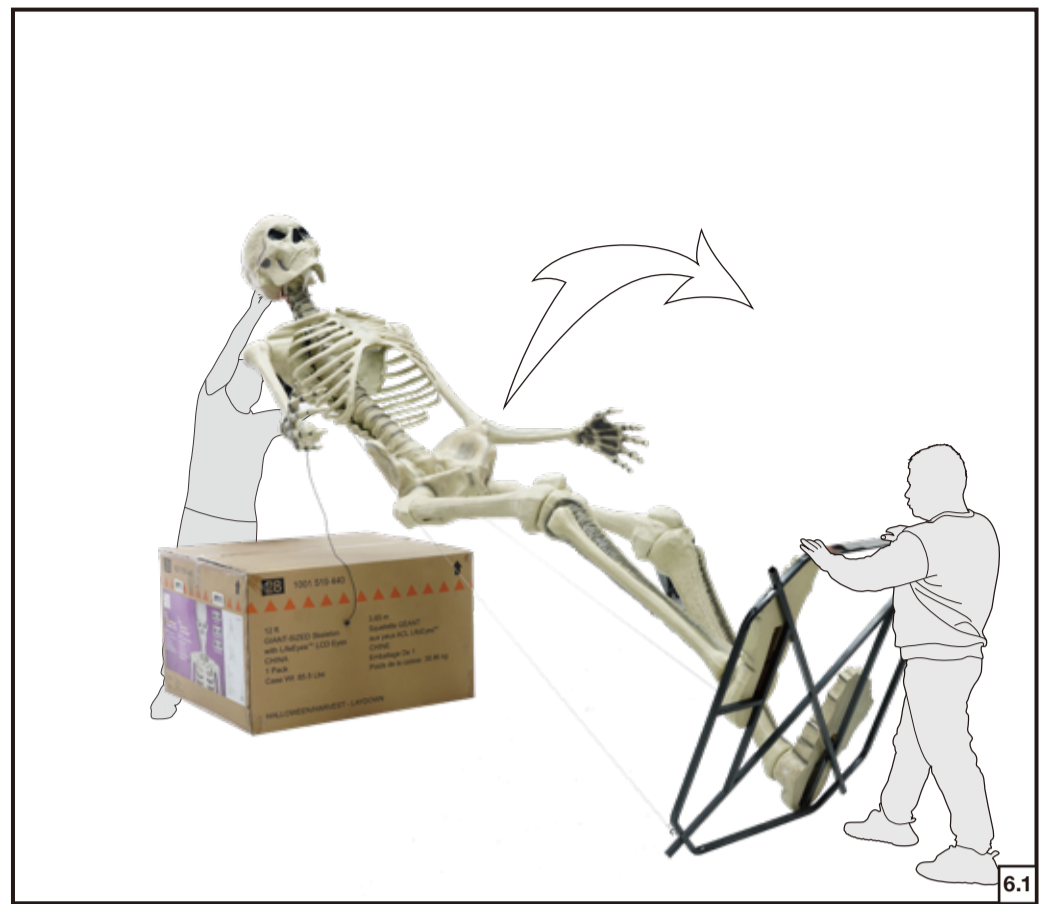
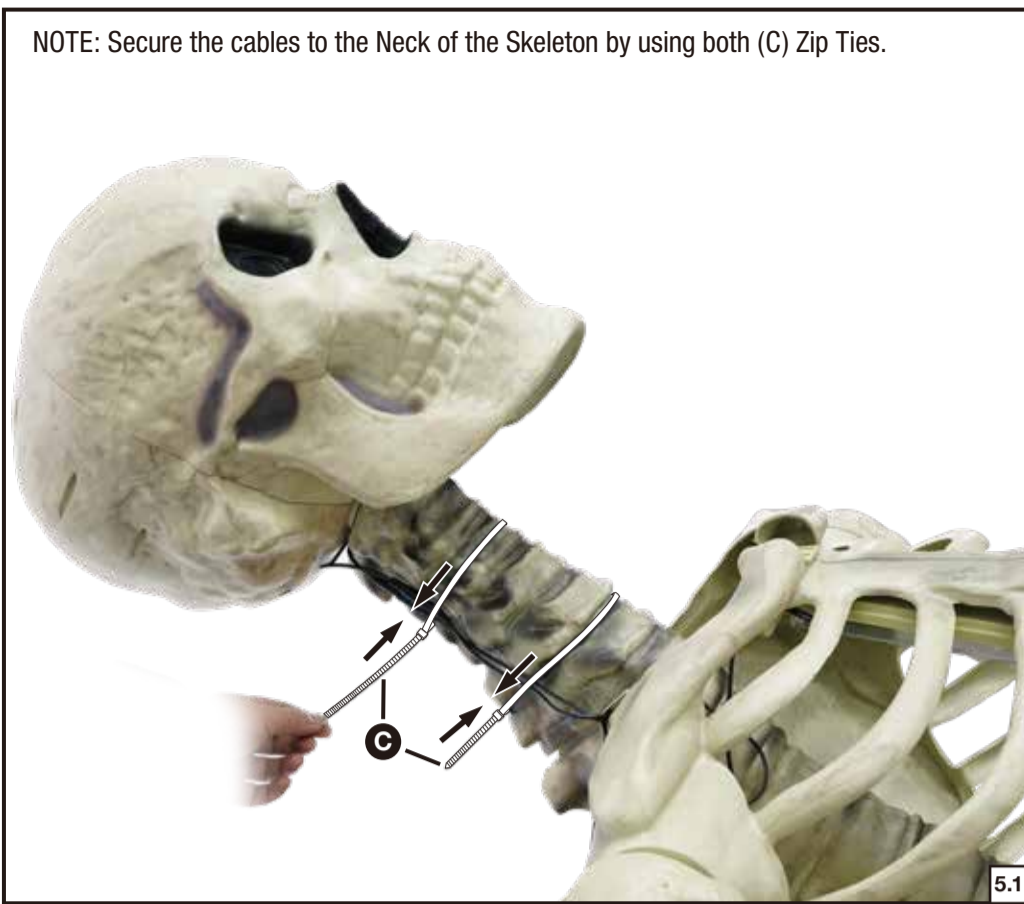
3.1



4.1

4.2

NOTE: Secure the cables to the Neck of the Skeleton by using both (C) Zip Ties.



OPERATION INSTRUCTIONS:

When Activated, the (12 Ft Skeleton Lighting) function starts on a color changing setting. Each time the TRY ME button is pressed, the color cycles to the next setting. The color settings are as follows: 1. Color Changing 2. Red 3. Lime Green 4. Green 5. Aqua 6. Blue 7. Purple 8. Light Blue.

This device complies with Part 15 of the FCC Rules. Operation is subject to the following two conditions: (1) This device may not cause harmful interference, and (2) this device must accept any interference received, including interference that may cause undesired operation.

CAUTION: Changes or modifications not expressly approved by the party responsible for compliance could void the user's authority to operate the equipment.

NOTE: This equipment has been tested and found to comply with the limits for a Class B digital device, pursuant to Part 15 of the FCC Rules. These limits are designed to provide reasonable protection against harmful interference in a residential installation. This equipment generates, uses, and can radiate radio frequency energy and, if not installed and used in accordance with the instructions, may cause harmful interference to radio communications. However, there is no guarantee that interference will not occur in a particular installation. If this equipment does cause harmful interference to radio or television reception, which can be determined by turning the equipment off and on, the user is encouraged to try to correct the interference by one or more of the following measures: Reorient or relocate the receiving antenna, Increase the separation between the equipment and receiver. Connect the equipment into an outlet on a circuit different from that to which the receiver is connected. Consult the dealer or experienced radio/TV technician for help.

CAN ICES-003(B)/NMB-003(B)