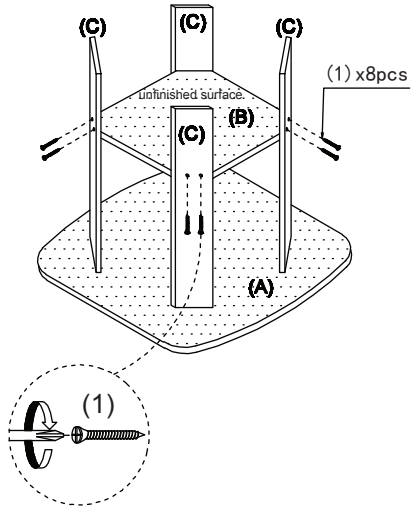


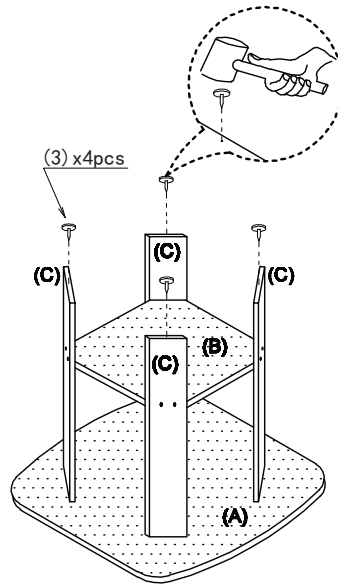
STEP 4

Attach Panel (B) to Panel (C) and tighten it using Screw (1).

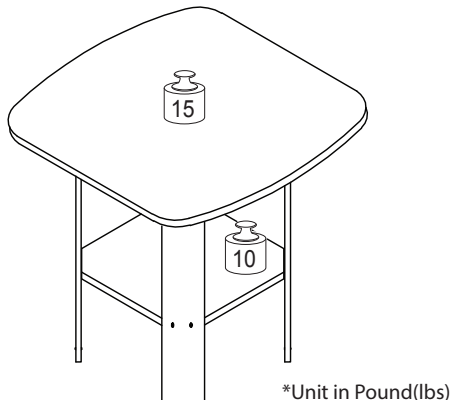


STEP 5

Install Nail Leg (3) to the bottom of Panel (C) using hammer, as shown.



Recommended Maximum Weight



WARNING:

>This unit has been designed to support the maximum loads shown. Exceeding these load limits could cause sagging, instability, product collapse, and/or serious injury.

>DO NOT allow children to climb on unit.

>Put heavier items on lower shelves.



Assembly Instruction

Furinno Simple Design End/Side Table

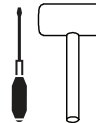
MODEL : 11180 (Set of 2)

00:25

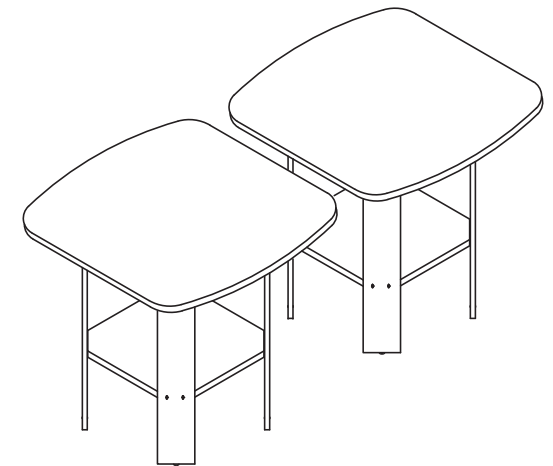
Approx. 25 minutes



Recomm. 1 Person



Tools Required

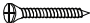






Customer Support

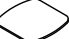
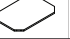
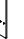
NEED HELP? For replacement requests or product inquiries, please contact our Customer Service Team by emailing us at support@furinno.com. Thank you for selecting Furinno!

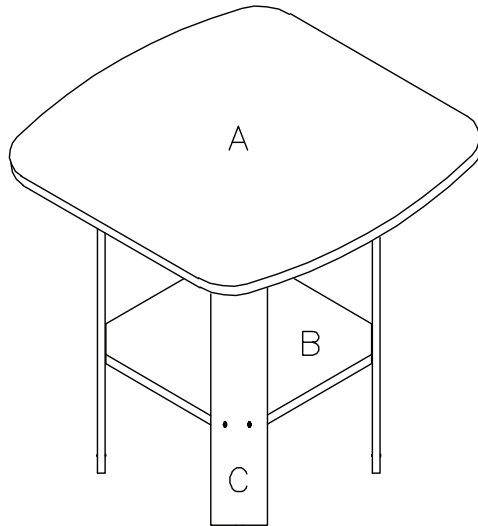
www.furinno.com



No	Hardware List	Qty
1	Chipboard Screw 	16pcs
2	Dowel 	16pcs
3	Nail Leg 	8pcs
4	Cam-Lock Nut 	8pcs
5	Cam-Lock Screw 	8pcs

*All the hardware quantity are for two sets.

No	Parts List	Qty
A	Top Panel 	2pcs
B	Shelf Panel 	2pcs
C	Leg Panel 	8pcs

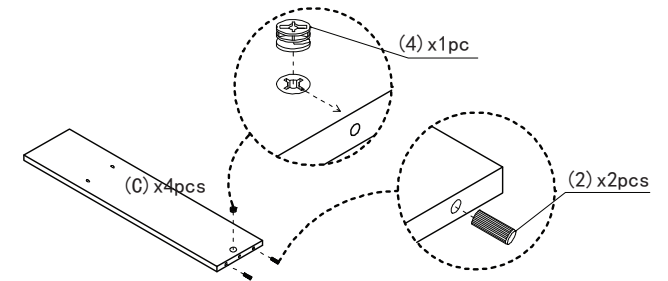


USEFUL HINTS BEFORE YOU START:

1. Read each step carefully before starting.
2. It is important that each step is performed in correct order to avoid difficulties.
3. Identify, sort and count the parts before assembly.
4. Assemble your furniture on packaging cardboard to prevent scratch or damage.
5. Clean the product with mild cleanser using soft damped cloth. Do not use harsh or abrasive cleanser.
6. Using incompatible hardware might cause damage to product.

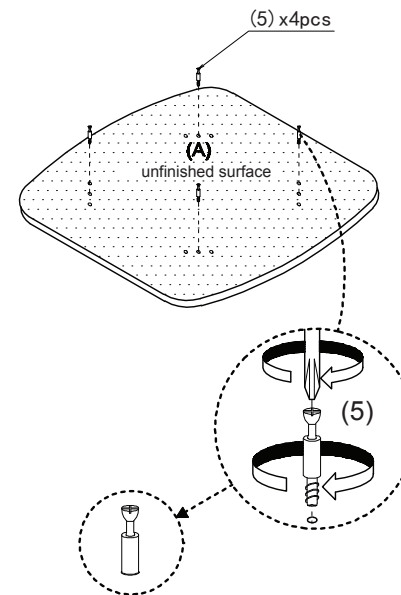
STEP 1

Insert Dowel (2) and Cam-Lock Nut (4) to Panel (C).
NOTE: Arrow on Cam-Lock Nut (4) should be pointing towards hole.



STEP 2

Insert Cam-Lock Screw (5) into pre-drilled holes on Panel (A).



STEP 3

Attach Panel (C) to Panel (A) and tighten Cam-Lock Nut (4) using screwdriver.

