

Item #1000 039 123  
Model #HD00113



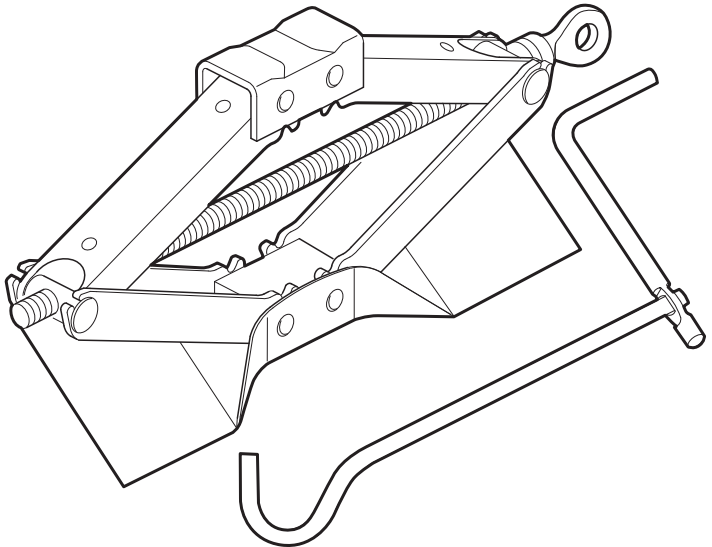
# USE AND CARE GUIDE

## 1-1/2 TON SCISSOR JACK

Questions, problems, missing parts?  
Before returning to the store, call  
Husky Customer Service  
8 a.m. - 6 p.m., EST, Monday - Friday

1-888-HD-HUSKY

HUSKYTOOLS.COM



---

### THANK YOU

*We appreciate the trust and confidence you have placed in Husky through the purchase of this scissor jack. We strive to continually create quality products designed to enhance your home. Visit us online to see our full line of products available for your home improvement needs. Thank you for choosing Husky!*

# Table of Contents

Safety Information.....	2	Maintenance .....	5
Warranty.....	2	Lubricating the Jack.....	5
Pre-Operation.....	3	Storing the Jack.....	5
Before Assembly and Operation.....	3	Rust Prevention.....	5
Specifications.....	3	Troubleshooting.....	5
How It Works.....	3		
Garage Jack Package Contents.....	3		
Jack Operation.....	4		
Care and Cleaning .....	5		
Inspection.....	5		

## Safety Information

### READ AND SAVE THESE INSTRUCTIONS

1. Read, understand, and follow all instructions before operating this device prior to use.
2. Do not overload this jack beyond the rated capacity.
3. This jack is designed for use only on hard level surfaces capable of sustaining the load. Use on other than hard level surfaces can result in jack instability and possible loss of load.
4. This is a lifting device only. Immediately after lifting, support the vehicle with jack stands.
5. Inspect the jack prior to each use. Do not attempt use if the unit is broken, bent, cracked, or has missing and/or damaged parts. Replace broken, bent, cracked, missing and/or damaged parts, and/or missing labels, warnings and/or decals with factory authorized parts prior to use.



**DANGER:** Because of the potential hazards associated with the misuse of equipment of this type, no alterations shall be made to the product without written authorization of the manufacturer or supplier.



**WARNING:** Do not get under or allow anyone under the vehicle until it has been supported by jack stands.



**WARNING:** For your safety and to prevent injury, use the service jack for lifting purposes only.



**WARNING:** This jack is a lifting device only. It is not a support device. NEVER place yourself under or near a raised vehicle supported by a jack. Immediately after lifting, support the vehicle with jack stands or other appropriate means.



**CAUTION:** Do not move or dolly the vehicle while on the jack.



**CAUTION:** Any jack that appears to be damaged or has worn parts should be removed from service immediately. If the vehicle is pushed off the jack, discard the jack. Do not reuse.



**IMPORTANT:** Lift only on areas of the vehicle as specified by the vehicle manufacturer. Use the vehicle manufacturer's instructions on proper lifting.



**NOTE:** Center the load on the saddle prior to lifting.



**NOTE:** Use of scissor jacks on sea vessels is prohibited.



**NOTE:** Some vehicles require an adapter to properly engage the frame for lifting. Only attachments and/or adaptors supplied by the manufacturer shall be used.



**NOTE:** Failure to heed these warnings may result in personal injury and/or property damage.

## Warranty

The manufacturer warrants the products to be free from defects in materials and workmanship for a period of one (1) year from the date of purchase. This warranty applies only to the original consumer purchaser and only to products used in normal use and service. If this product is found to be defective, the manufacturer's only obligation, and your exclusive remedy, is the repair or replacement of the product at the manufacturer's discretion, provided that the product has not been damaged through misuse, abuse, accident, modifications, alteration, neglect, or mishandling. This warranty shall not apply to any product as a result of an accident, misuse, abuse, negligence, alteration, faulty installation, or any other failure not relating to faulty material or workmanship. This warranty shall not apply to the finish on any portion of the products such as surface and/or weathering, as this is considered normal wear and tear.

The manufacturer does not warrant and specially disclaims any warranty, whether express or implied, of fitness for a particular purpose, other than the warranty contained herein. The manufacturer specifically disclaims any liability and shall not be liable for any consequential or incidental loss or damage, including but not limited to any labor/expense costs involved in the replacement or repair of said product.

Contact the Customer Service Team at 1-888-HD-HUSKY or visit [www.huskytools.com](http://www.huskytools.com).

# Pre-Operation

## BEFORE ASSEMBLY AND OPERATION

Compare all parts with the Package Contents lists in this manual. If any part appears missing or damaged, do not use this product. Contact the Customer Service Team at 1-888-HD-HUSKY or visit [www.huskytools.com](http://www.huskytools.com).

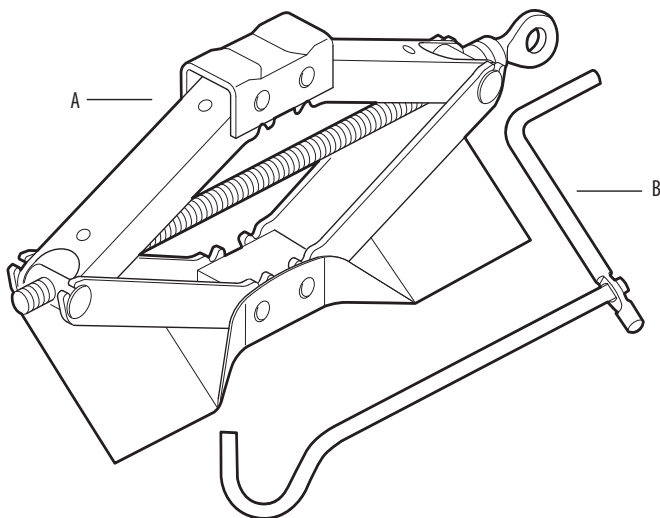
## SPECIFICATIONS

Model	Jack Dimensions	Max Load Capacity	Lifting Range	Saddle Dimensions	Jack Weight
1-1/2 Ton Scissor Jack	17.32 in. x 4.8 in. x 4.13 in.	3,000 lbs 5 in. height - 1,000 lbs. 9 in. height - 2,000 lbs. 11 in. height - 2,400 lbs. 14 in. height - 3,000 lbs.	4.125 to 15.125 in.	2.14 in. x 1.63 in.	7.3 lbs.

## HOW IT WORKS

This is a manually operated jack for emergency purposes only. To use, insert the hook end of the 2-part handle system into the eyehole at the end of the jack and begin turning clockwise to raise the jack. Turn the handle counterclockwise to lower the jack. Make sure the saddle is properly positioned before raising the vehicle.

## 1-1/2 TON SCISSOR JACK PACKAGE CONTENTS

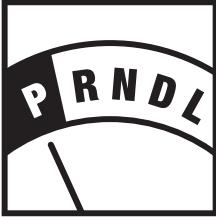


Part	Description	Quantity
A	Scissor jack	1
B	2-piece Handle	1

# Jack Operation

## 1 Turn of ignition and place vehicle in park

- Place the vehicle in PARK and apply the emergency brake.



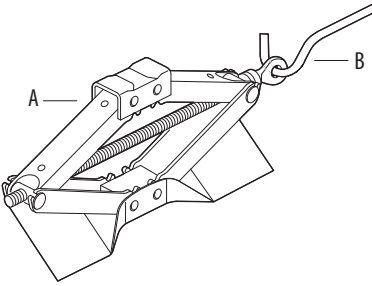
## 2 Blocking the wheels

- Chock the wheel diagonally opposite from the wheel that is being lifted in both directions.



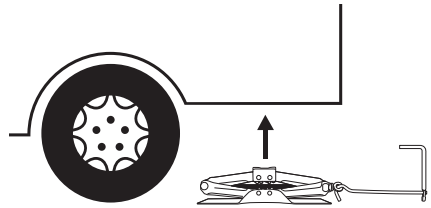
## 3 Inserting the handle

- Insert the handle (B) into the eyelet of the jack (A).



## 4 Centering the jack

- Make sure the saddle is correctly positioned. To prevent damage to the jack, do not move the jack while the handle is intact in the socket.

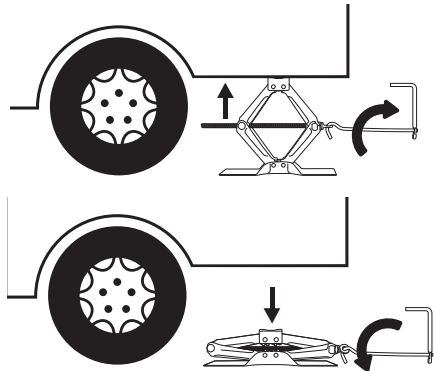


## 5 Lifting and lowering the vehicle



**WARNING:** To avoid pinching or crushing hands or feet, ALWAYS keep them clear of the jack hinge and ground contact area when lowering the vehicle. The jack is a lifting device only. DO NOT move or dolly the vehicle while it is on the jack.

- To raise a load, use one hand to hold the front part of the handle, and use the other hand to turn slowly at the rear end of the handle clockwise.
- To lower a load, use one hand to hold the front part of the handle, and use the other hand to turn slowly at the rear end of the handle counterclockwise.



# Care and Cleaning

## INSPECTION

Maintain the product according to these instructions. You may not alter this product in any way.

1. Before using, inspect the jack thoroughly. Look for cracks in the welds, bent, damaged, loose, worn or missing parts.
2. Inspect according to this manual **ONLY**.
3. If the jack has been subjected to abnormal load or shock (abuse), perform an immediate inspection. Take the product to a local customer service representative for an authorized inspection before use.

## Maintenance

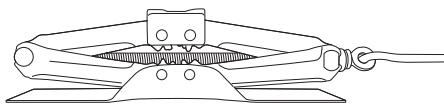
### Lubricating the jack

- Use a good grade of lubricating oil on all moving parts when needed.



### Storing the jack

- When the jack is not in use, or when storing the jack, **ALWAYS** have the lifting arm in a full down position.
- Store the jack in a dry location and the handle in a place where it will not be damaged.



## RUST PREVENTION

Clean as needed and wipe down with an oil cloth.

## Troubleshooting

Problem	Solution	Solution
The jack will not lower completely.	□ The release valve is stuck.	□ Transfer the weight load.
The jack will not hold weight.	□ Check to see if any threads are damaged.	□ Replace the jack.
The jack will not raise.	□ Check to see if any threads are damaged. □ Lubricate the moving parts.	□ Replace the jack. □ Check to see if lubricating moving parts helps.
The jack will not lift the load.	□ The weight is excessive.	□ Decrease the weight or change to a higher capacity jack.
The lift arm will not lower.	□ Check to see if any threads are damaged.	□ Replace the jack.



**Questions, problems, missing parts?  
Before returning to the store,  
call Husky Customer Service  
8 a.m.-6 p.m., EST, Monday-Friday**

**1-888-HD-HUSKY**

**[WWW.HUSKYTOOLS.COM](http://WWW.HUSKYTOOLS.COM)**

**Retain this manual for future use.**