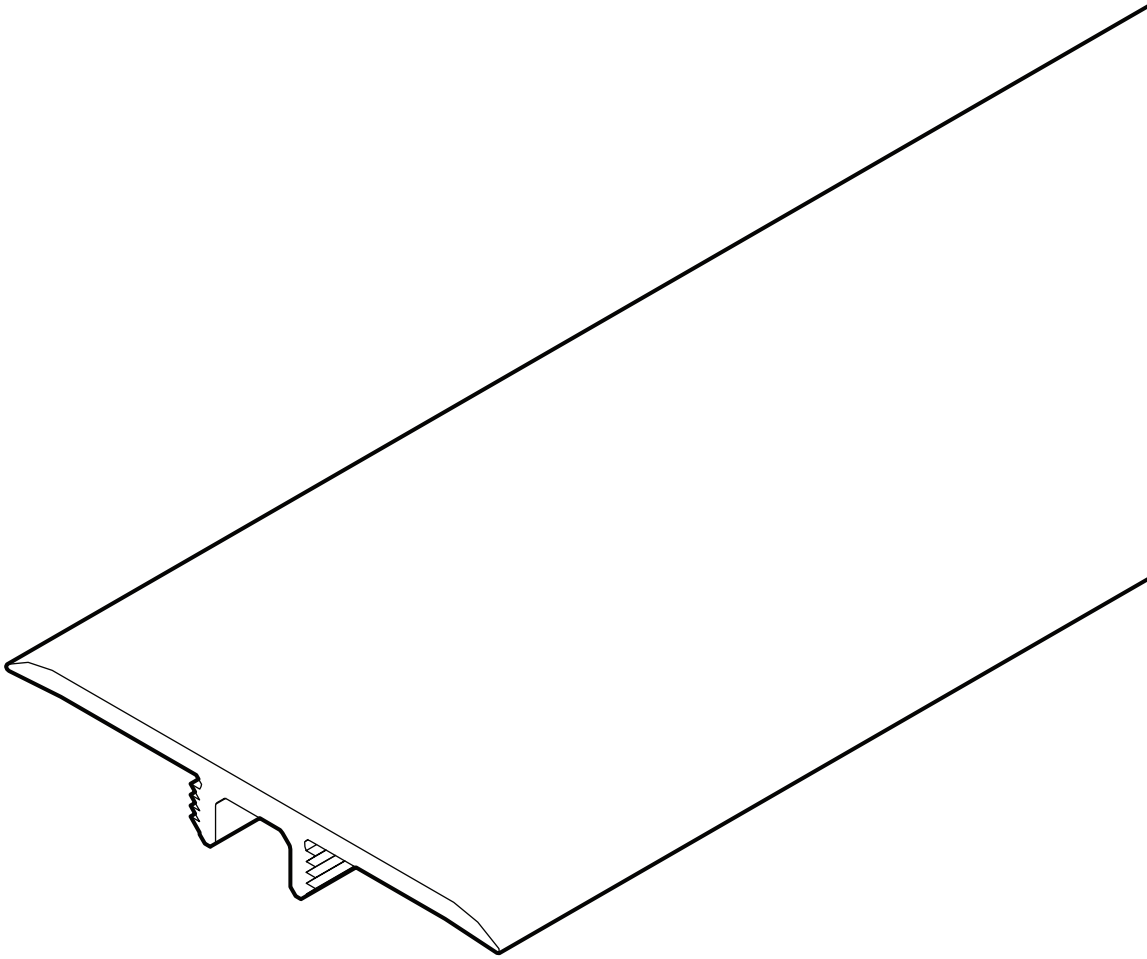


# T-MOLDING

Installation Instructions



# Technical information

## Disclaimer

The installation guidelines in this manual serve as recommendations for the fitting of the molding. Please note that the manufacturer does not bear responsibility for any product failures or liabilities resulting from installations that contravene the original flooring manufacturer's installation instructions or warranties.

## Intended use

The t-molding and clip track are intended to be used at any location to connect two floors of very similar thickness, typically at a door threshold.

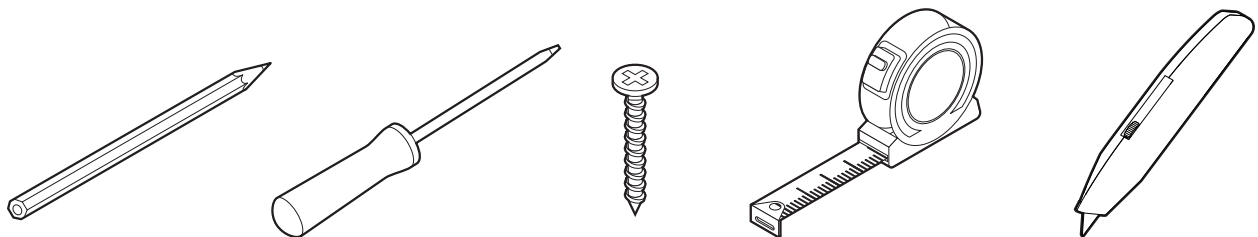
The t-molding is also intended to be used to transition from one type of flooring to another type of flooring that has a similar height.

The t-molding should only be used with clip tracks.

## Material

The t-molding and clip track are domestically manufactured out of PVC.

## Tools and materials needed



To complete the installation, you will need to gather the following:

- Pencil
- Screwdriver
- Flat screws
- Tape measure
- Utility knife

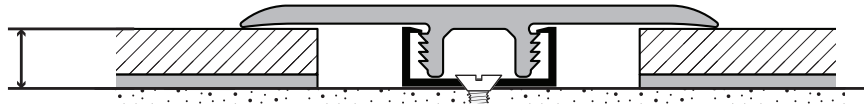
## Measure the thickness of your floor

Depending on the thickness of your flooring, you may need to incorporate shims for a proper fit. Measure the thickness of your flooring planks to determine if shims are necessary.

**NOTICE** Do not use t-molding if there is a height difference between the floors greater than 8mm. Instead, use a reducer molding.

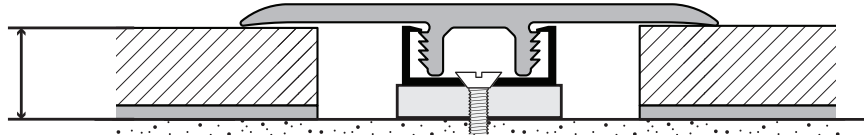
### 5-9 mm Floors

No shim needed

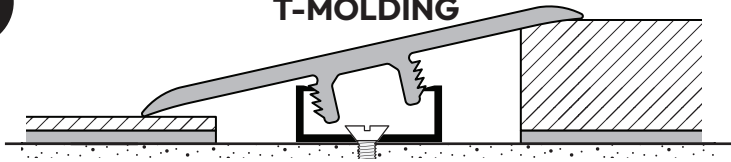


### >9 mm Floors

Shim needed



### T-MOLDING

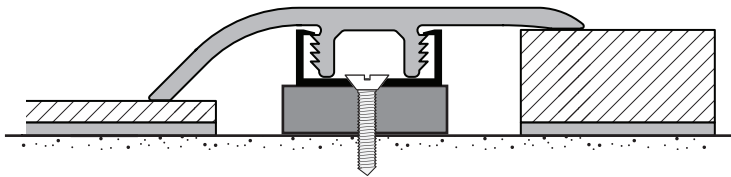


### Difference > 8 mm

Use a reducer molding

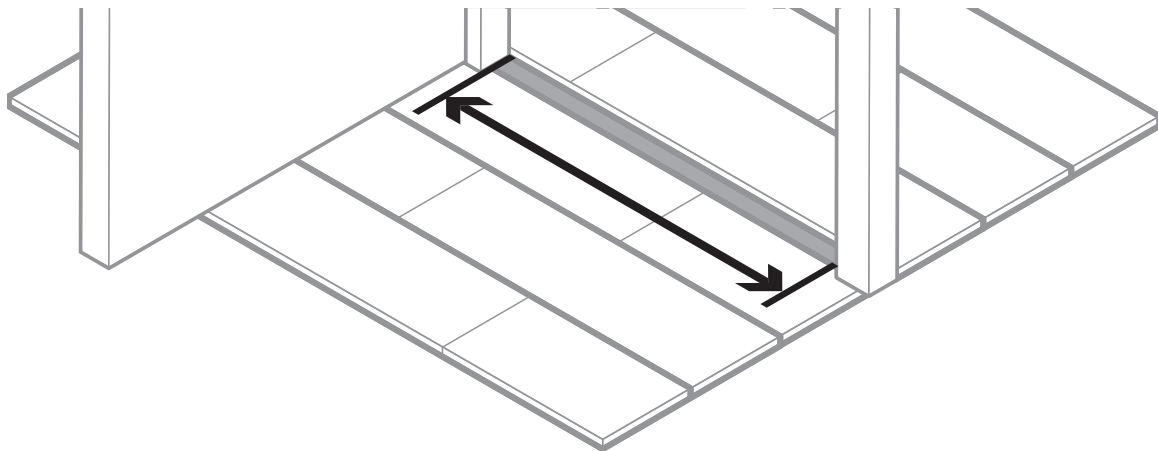


### REDUCER MOLDING

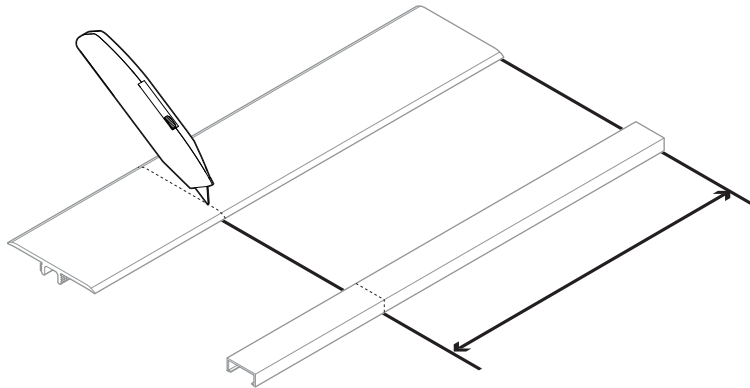


## Cut the clip track and t-molding to size

1. Measure the width of the installation area.



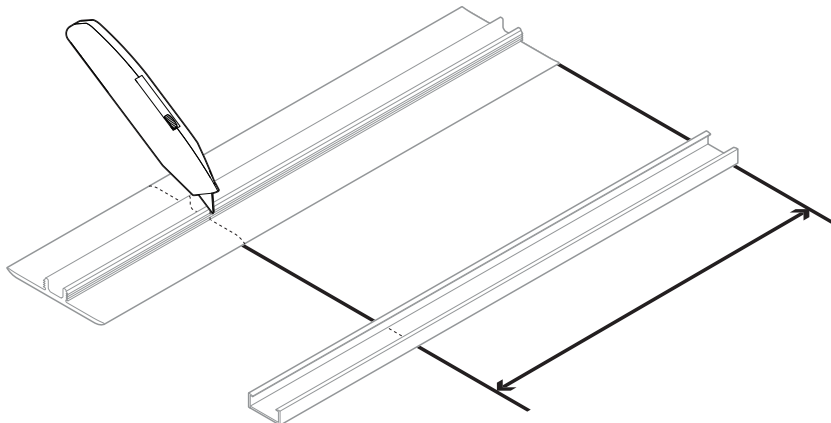
2. Score the top of the **t-molding** and the **clip track**.



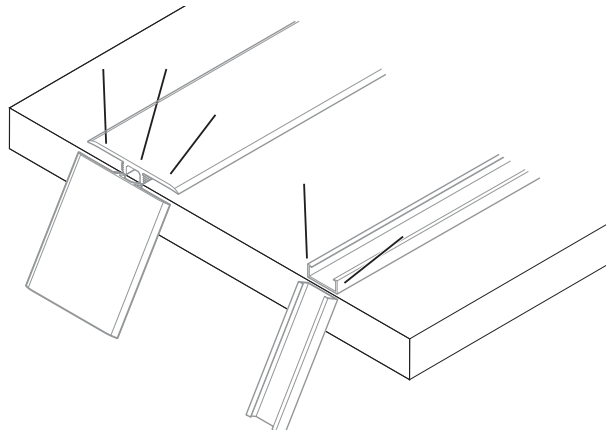
## **⚠ WARNING**

Be carefull when using a sharp tool. Carelessness may cause injury or damage.

3. Score the bottom of the **t-molding** and **clip track**.

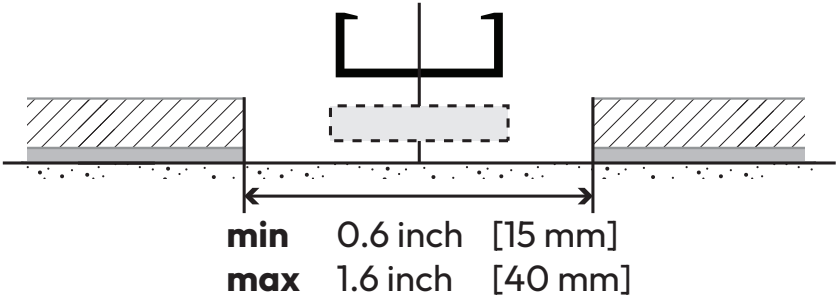


4. Use a hard work surface to snap the **t-molding** and **clip track** on the score line.

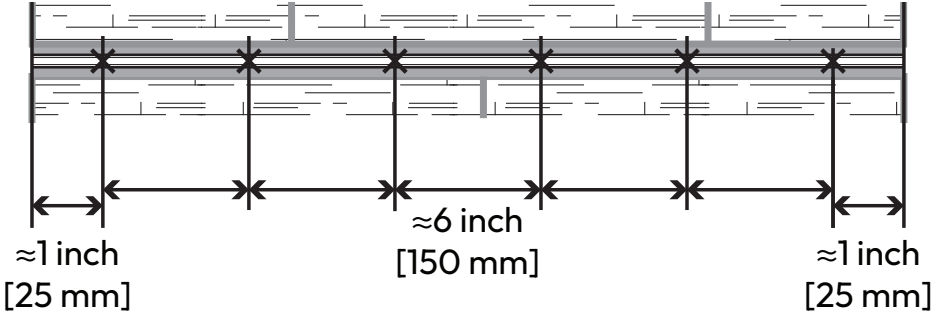


# Install the clip track into wood subflooring

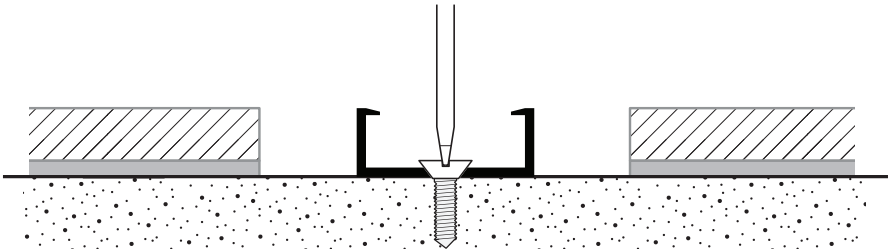
- 1. Put the **clip track** and, if needed, a shim, in the center of the gap between the flooring planks.  
**NOTICE** Make sure the gap is a minimum of 0.6 inch [15 mm] and a maximum of 1.6 inch [40 mm] wide.



- 2. Mark the **clip track** where the screws will be attached. We recommend spacing the screws approximately 1 inch [25 mm] away from either end of the **clip track** and approximately 6 inch [150 mm] apart from each other.

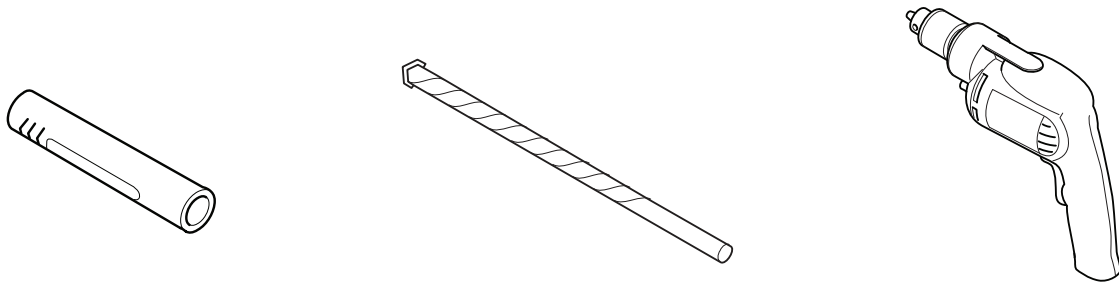


- 3. Attach the **clip track** to the subfloor using flat screws.  
**NOTICE** Make sure to use flat screws, screws with a round head will get in the way of the t-molding.



## Extra steps for concrete subflooring

### Extra tools and materials needed



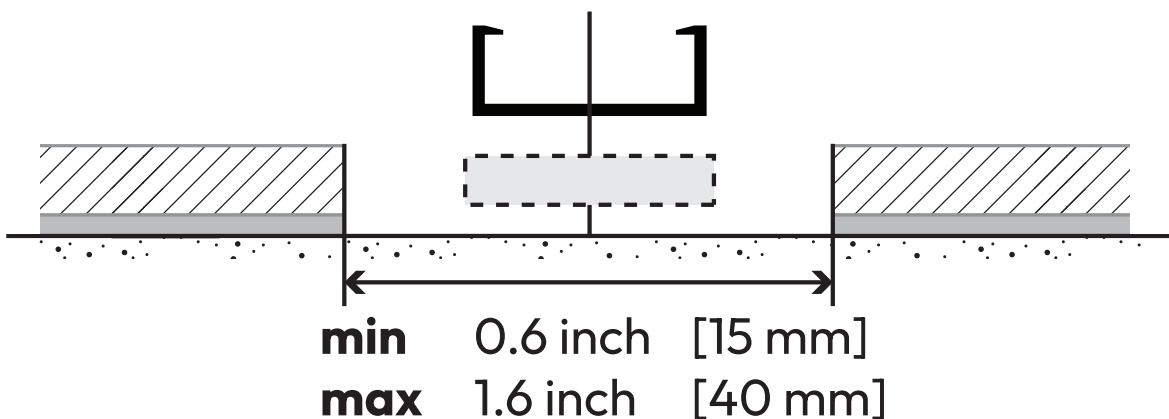
To install the track into a concrete subfloor you will also need:

- Plastic All-Purpose Anchors
- 1/4 inch Masonry Drill Bit
- Drill

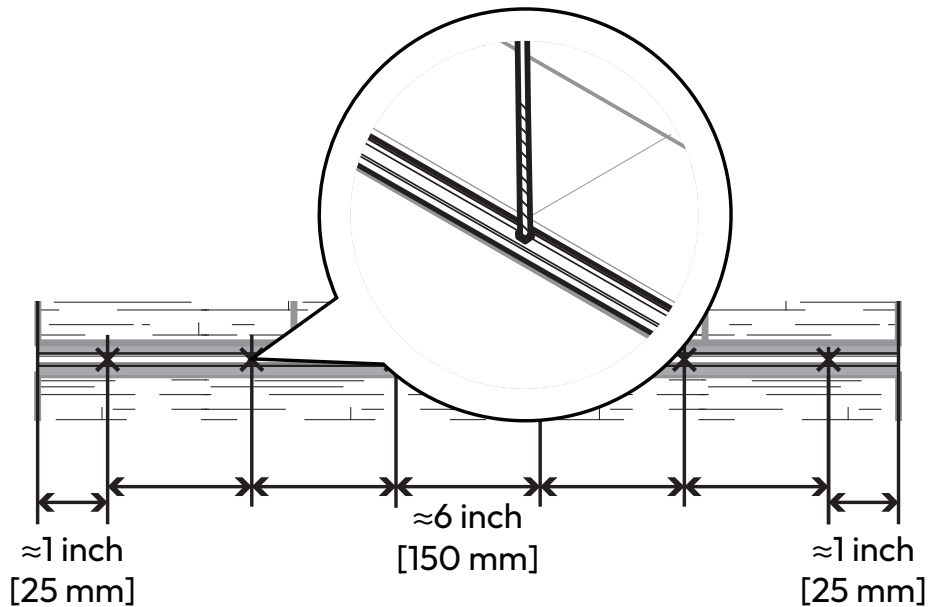
### Installing the clip track into concrete subflooring

1. Put the **clip track** and, if needed, a shim, in the center of the gap between the flooring planks.

**NOTICE** Make sure the gap is a minimum of 0.6 inch [15 mm] and a maximum of 1.6 inch [40 mm] wide.



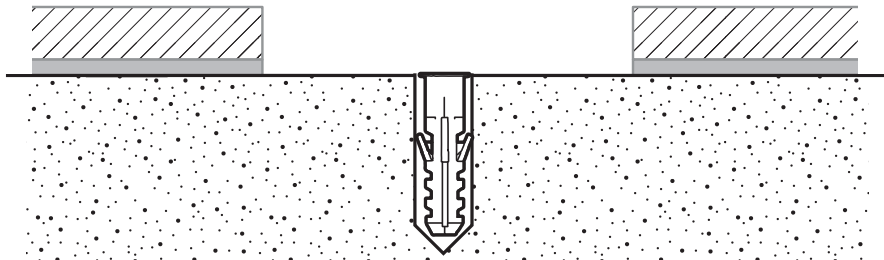
2. Mark the **clip track** where the holes will be drilled. We recommend spacing the holes approximately 1 inch [25 mm] away from either end of the **clip track** and approximately 6 inch [150 mm] apart from each other.
3. Use a 1/4 inch masonry drill bit to drill into the **clip track**, if applicable, the shim and the concrete subflooring



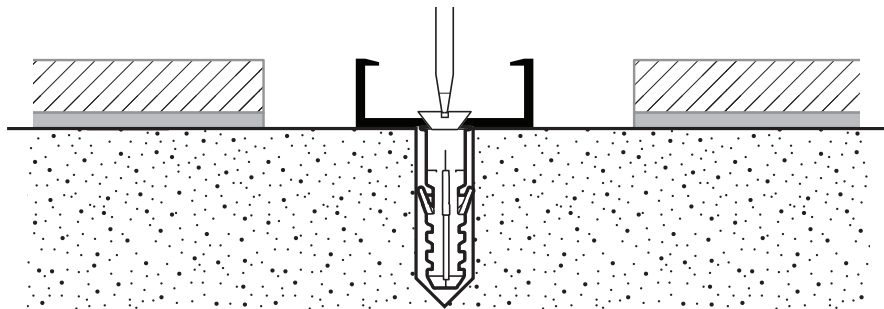
## ⚠ WARNING

Always use proper personal protective equipment when handling power tools!  
Never drill deeper than 1 inch [25 mm] into concrete subflooring.

4. Remove the **clip track**. Put an anchor into each hole.

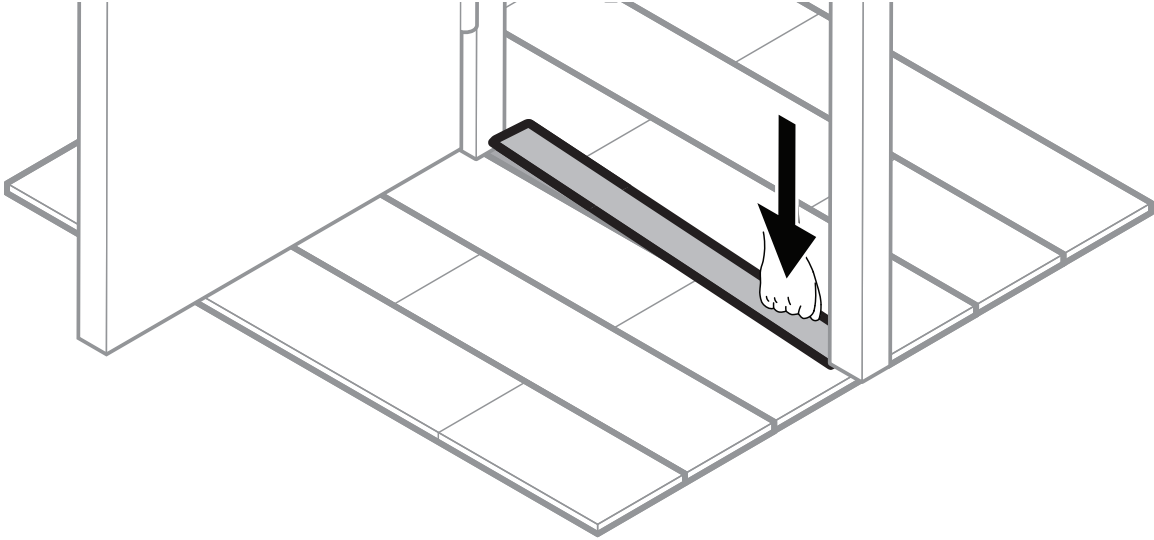


5. Attach the **clip track** to the concrete subfloor using flat screws.

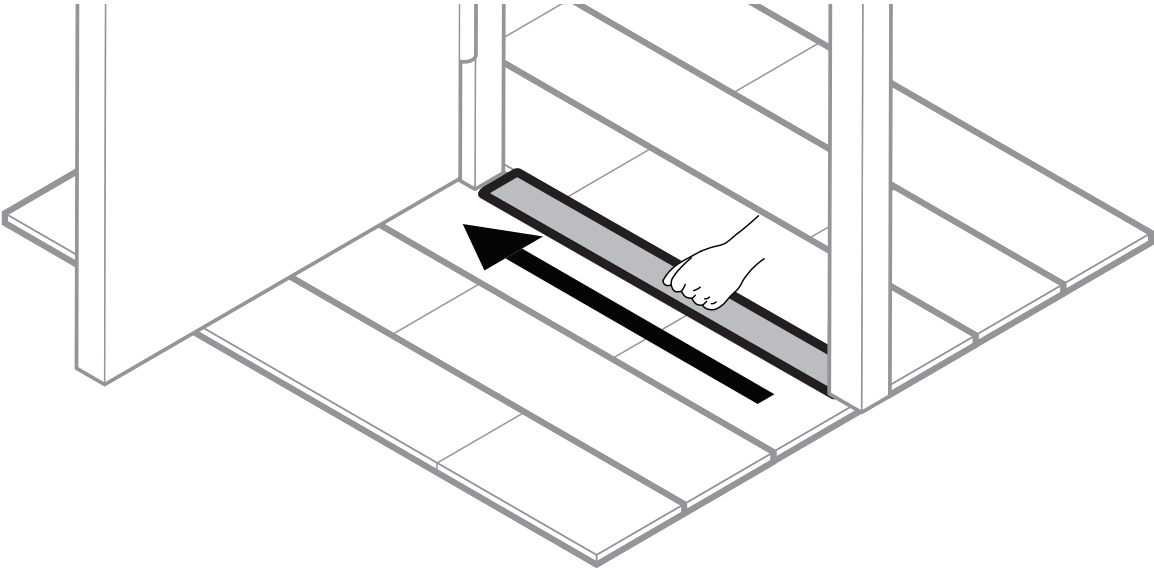


## Install the t-molding

1. Push the end of the **t-molding** into either end of the **clip tack**.



2. Push the rest of the **t-molding** into the **clip track** by sliding your hand across the **t-molding**.



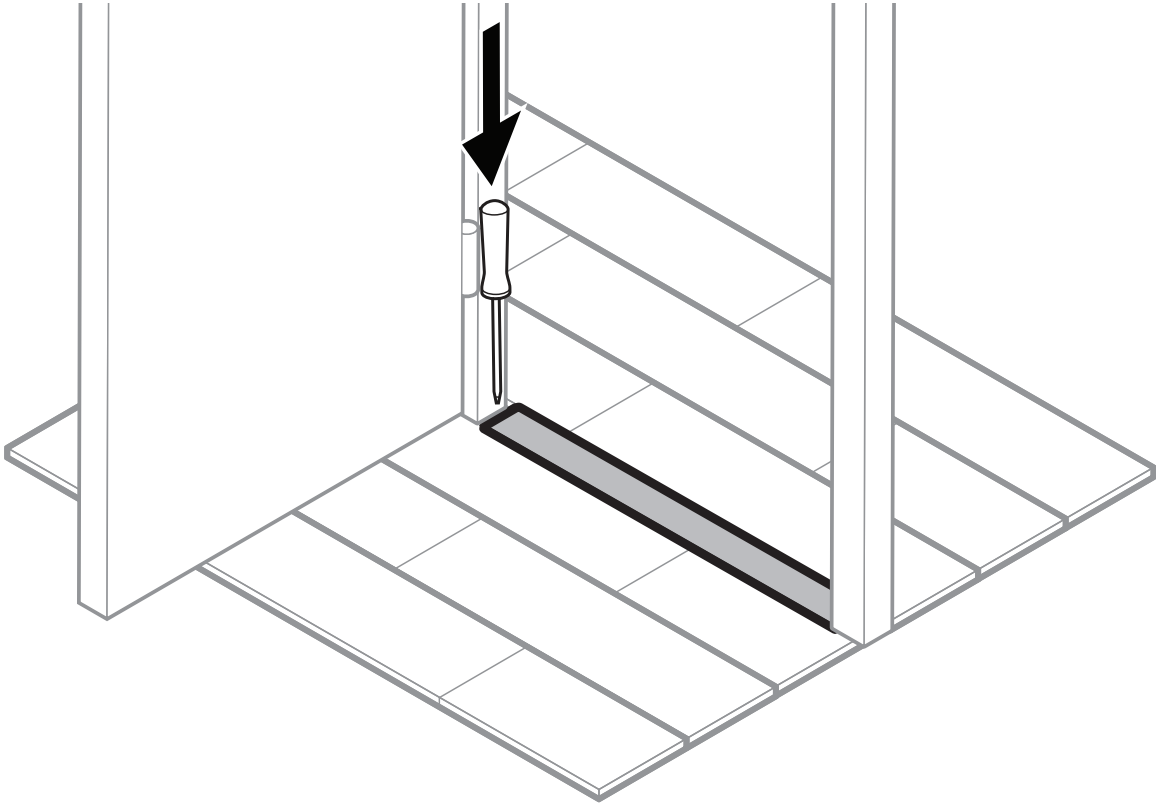
### **⚠️ WARNING**

Make sure that the t-molding is installed flush with the flooring planks. Failure to do so will create a tripping hazard.

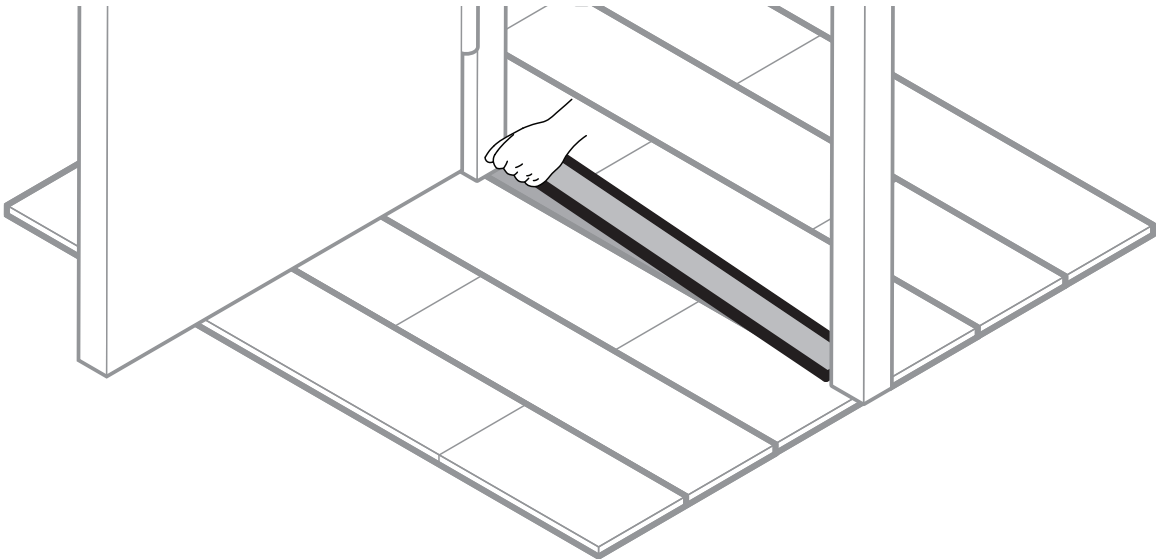


## Removing the t-molding

1. Use a flat head screwdriver to pry the end of the **t-molding** up.



2. Remove the remaining section of **t-molding** by hand.



# Dimensions

