



# HODEDAH

[www.hodedah.com](http://www.hodedah.com)

[support@hodedah.com](mailto:support@hodedah.com)

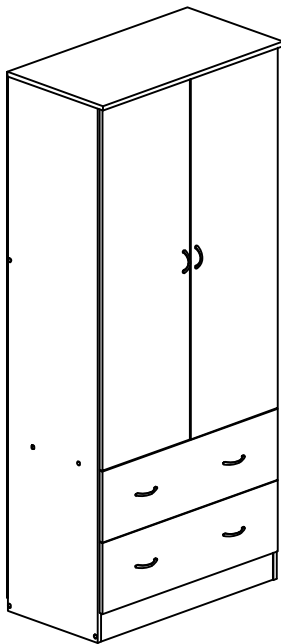
## ASSEMBLY INSTRUCTIONS

### HI 29 -A ( WARDROBE )

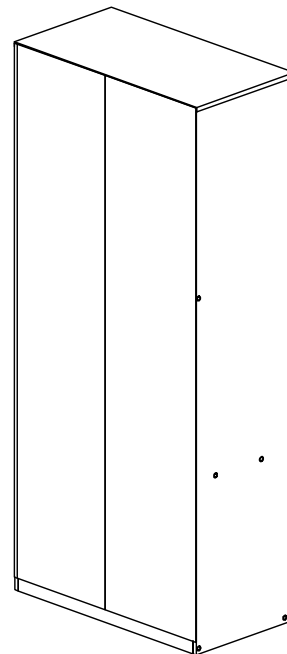
---

~ Before assembly, please read the instructions ~  
~ Keep these instructions for future reference ~

~ Follow these steps to assemble the chest cabinet~



FRONT VIEW



BACK VIEW



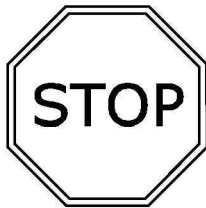
THIS INSTRUCTION BOOKLET CONTAINS IMPORTANT INFORMATION ABOUT ASSEMBLY AND SAFETY. PLEASE READ AND KEEP FOR FUTURE REFERENCE.



# Hodedah

[www.hodedah.com](http://www.hodedah.com)  
[support@hodedah.com](mailto:support@hodedah.com)

- This product contains small components, please ensure that they are kept away from small children.
- THIS INSTRUCTION BOOKLET CONTAINS **IMPORTANT** SAFETY INFORMATION. PLEASE READ AND KEEP FOR FUTURE REFERENCE.



**DO NOT RETURN PRODUCT TO THE STORE.**

If a part is missing or damaged, email our customer service. We will gladly ship your replacement parts **FREE** of charge.

**Need Parts or Assistance?**

email us at

**[support@hodedah.com](mailto:support@hodedah.com)**

For prompt, reliable service; please have your assembly manual ready.



# Hodedah

[www.hodedah.com](http://www.hodedah.com)  
[support@hodedah.com](mailto:support@hodedah.com)

Thank You For Choosing Hodedah

**To learn more about hodedah and our products visit  
[www.hodedah.com](http://www.hodedah.com)**

## **READ BEFORE BEGINNING ASSEMBLY**

- Read each step carefully. It is very important that each step of instruction is performed in the correct order. If these steps are not followed in sequence, assembly difficulties will occur.
- Make sure all parts are included. Most parts are labelled or stamped on the raw edge.
- Work in spacious area, preferably on a carpet, near the place the unit will be used.
- Do not use power tools to assemble your furniture. Power tools may strip or damage the parts.

## **HELPFUL HINTS**

- Call us if you need assistance.
- Move your new furniture carefully, with two people lift and carry the unit to it's new location.
- Never push, drag or pull your furniture (especially on carpet).

## **Warranty Information**

Hodedah warrants this product to be free from defects in material and workmanship agrees to remedy any such defect. This warranty covers one year from the date of original purchase. This is solely limited to be repair or replacement of defective parts and no assembly labor is included.

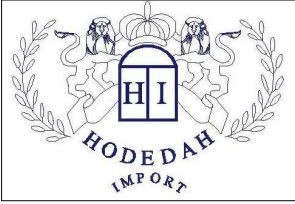
This warranty does not apply to any product which has been improperly assembled, subjected to misuse or abuse or which has been altered or repaired in any way.

To obtain warranty service, purchaser must present original bill of sale. Components repaired or replaced warranted through the remainder of the original warranty period only. The defective components will be repaired or replaced without charge, subject to the terms and conditions described above.

**For help with assembly, identifying parts, product information or to order parts, please contact us:**

Call us at:  
718-456-0505  
Monday-Friday  
9:00am-5:00pm

Visit our website:  
[www.hodedah.com](http://www.hodedah.com)



# HODEDAH

[www.hodedah.com](http://www.hodedah.com)  
[support@hodedah.com](mailto:support@hodedah.com)

① Top Panel  
1Pc  
800x425x15mm

② Right Side Panel  
1Pc  
1800x400x15mm

③ Left Side Panel  
1Pc  
1800x400x15mm

④ Kick Panels  
1Pc  
766x70x15mm

⑤ Back Strengthening Panels  
2Pcs  
766x70x15mm

⑥ Kick Panels  
1Pc  
766x100x15mm

⑦ Kick Panels  
1Pc  
766x100x15mm

⑧ Partition Panel  
1Pc  
766x400x15mm

⑨ Door Panel  
2Pcs  
1214x388x15mm

⑩ Drawer Front Panel  
2Pcs  
780x238x15mm

⑪ Drawer Side Panel  
2Pcs  
350x128x15mm

⑫ Drawer Side Panel  
2Pcs  
350x128x15mm

⑬ Drawer End Panel  
2Pcs  
709x128x15mm

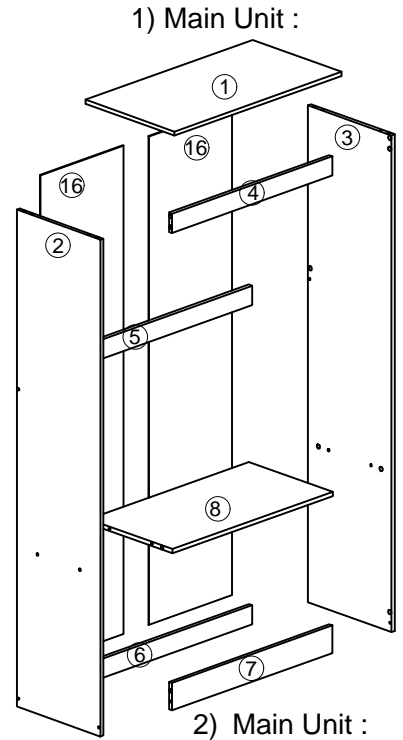
⑭ Drawer Base Panel  
2Pcs  
718x344x2.5mm

⑮ Drawer Base Supporting Panels  
2Pcs  
335x50x15mm

⑯ Back Panels  
2Pcs  
1770x397x2.5mm

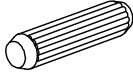
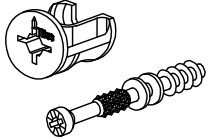

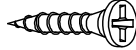
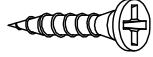
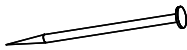
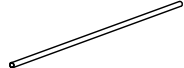

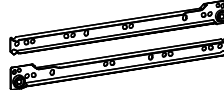
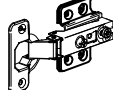



## Parts

The parts of the product are packed in one box.  
 There are inner box(es) or package(s) that included components and accessories required to complete the assembly





## ***Hardware And Accessories***

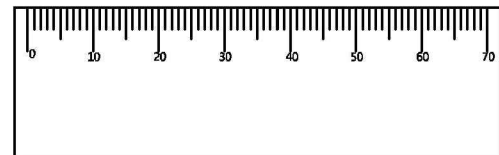
<p><b>A</b> PVC Dowel 27Pcs</p> 	<p><b>B</b> Minifix 6Sets</p> 	<p><b>C</b> Screw M4x45mm 24Pcs</p> 	<p><b>D</b> Screw M3.5x16mm 48Pcs</p> 	<p><b>E</b> Screw M3.5x21mm 12Pcs</p> 
<p><b>F</b> Nail 40Pcs</p> 	<p><b>G</b> Aluminium Pipe (760 x 19mm) 1Pc</p> 	<p><b>H</b> Handle (96mm) 6Pcs</p> 	<p><b>I</b> Drawer Slide - A (350mm) 2Sets</p>  <p>*Fix On Side Panels</p>	<p><b>J</b> Hinges 5/8 4Pcs</p> 
<p><b>K</b> V - Bracket 2Pcs</p> 	<p><b>L</b> Sticker 22Pcs</p> 	<p><b>M</b> L - Leg 4Pcs</p> 		







**IMPORTANT**

*Check the measure of the bolts on the scale below or with a measuring tape before applying them in the parts*

*Observe correctly the application and the position of each bolt accessory, as the step-by-step instructions, before applying them in the parts.*



## ***Required Or Recommended Tools***

<p><b>Sample Screwdriver</b></p> 	<p><b>Sample Hammer</b></p> 	<p><b>Sample Measuring Tape</b></p> 	<p><b>Sample Electric Screwdriver</b></p> 
--	---	---	---



**IMPORTANT!**

*The required or recommended tools for assembly are not supplied with the product.*

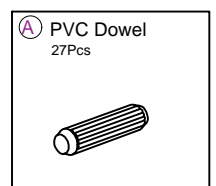
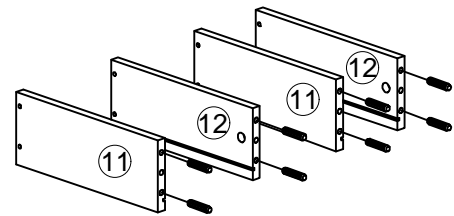
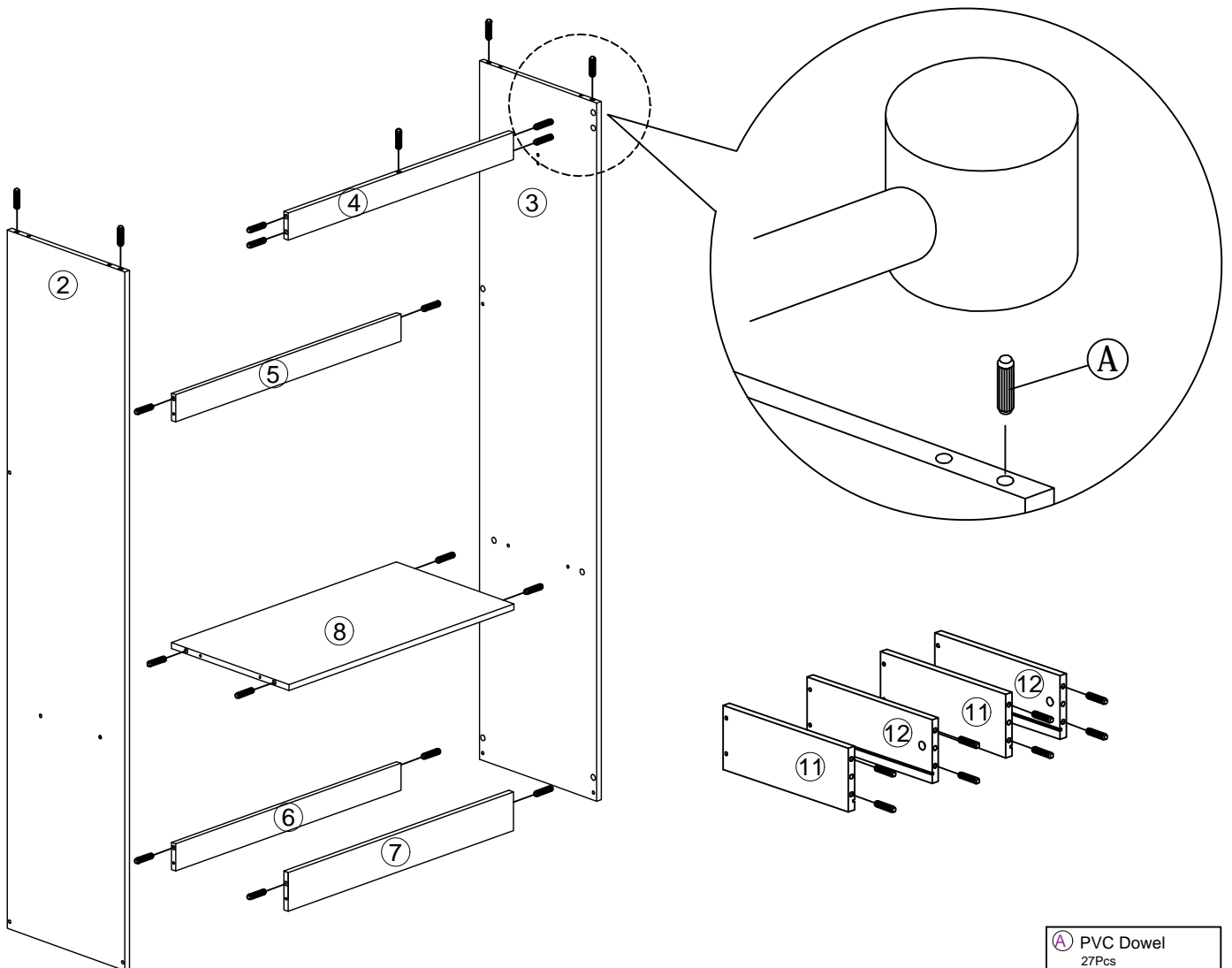


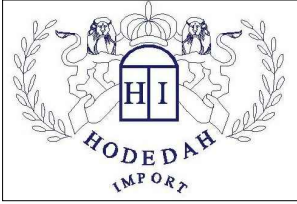
# HODEDAH

[www.hodedah.com](http://www.hodedah.com)  
[support@hodedah.com](mailto:support@hodedah.com)

## Pre - Assembly

Insert PVC dowel (A) to panel 2, 3, 4, 5, 6, 7, 8, 11 and 12 's non-thru holes as shown, using hammer to gently tap them in.





# HODEDAH

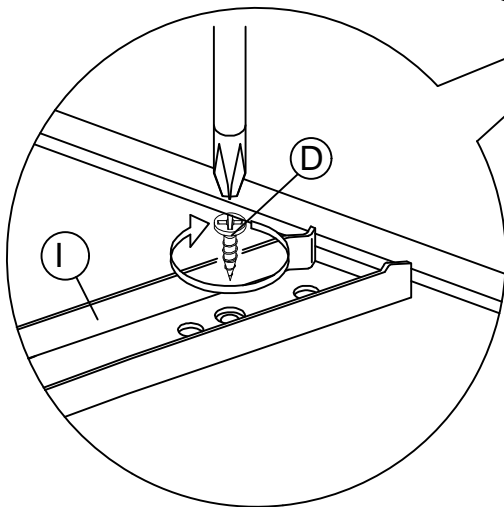
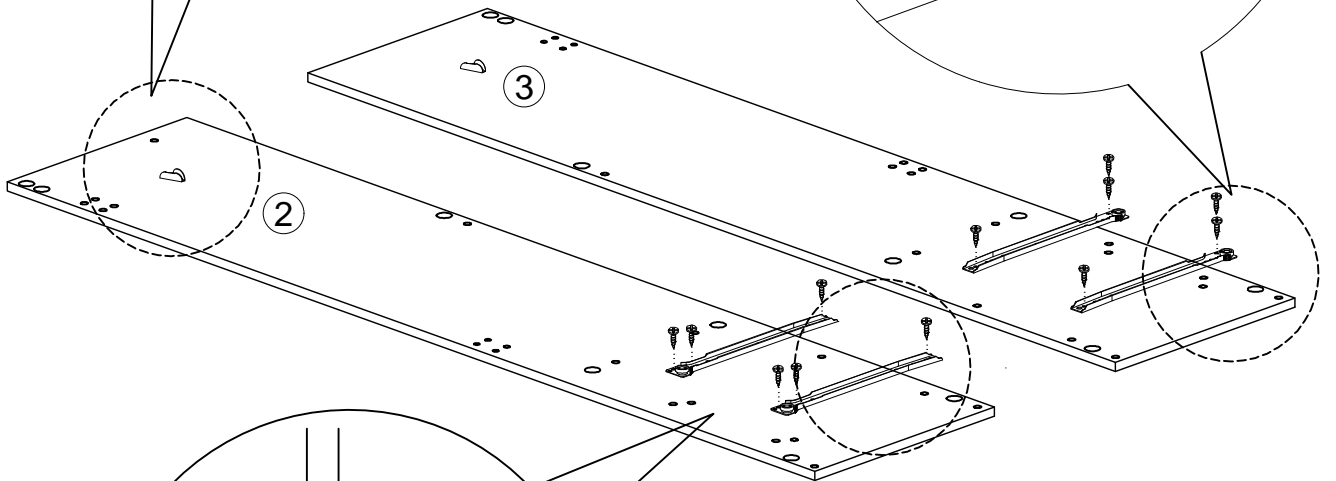
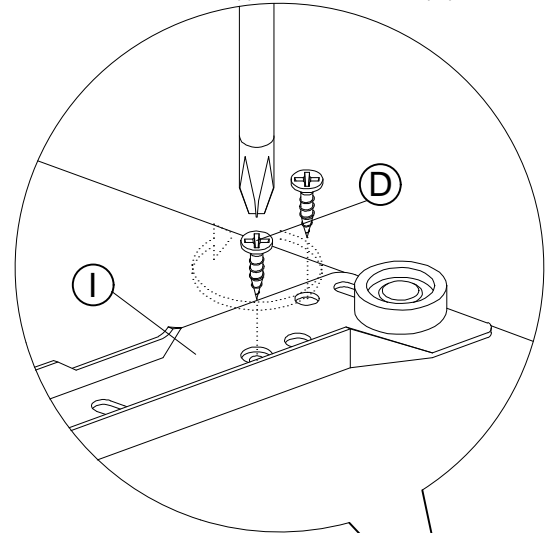
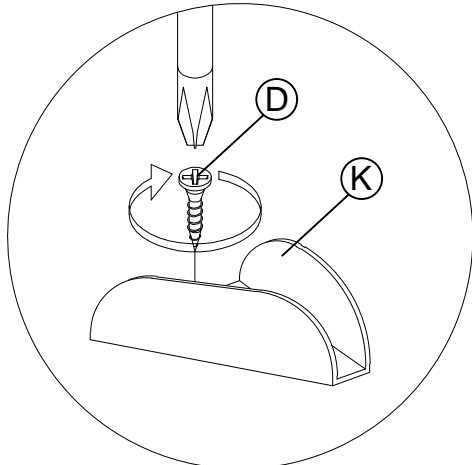
[www.hodedah.com](http://www.hodedah.com)

[support@hodedah.com](mailto:support@hodedah.com)

## Pre - Assembly

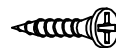
Tighten V-Bracket (K) on panel 2 and 3 as shown by using 2 screws D.

Place the drawer slide (I) at the predrilled holes on the panel 2 and 3 as shown. Then tighten the drawer slide(I) with 3 screws (D).



Place the drawer slide (I) at the panel 2 and 3 as shown. Then tighten the drawer slide(I) with 2 screws (D).

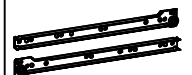
ⓓ Screw M3.5x16mm  
16Pcs

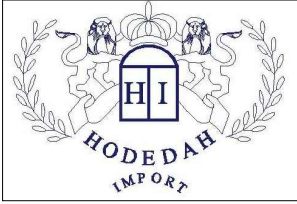


Ⓚ V - Bracket  
2Pcs



Ⓛ Drawer Slide - A  
(350mm)  
2Sets





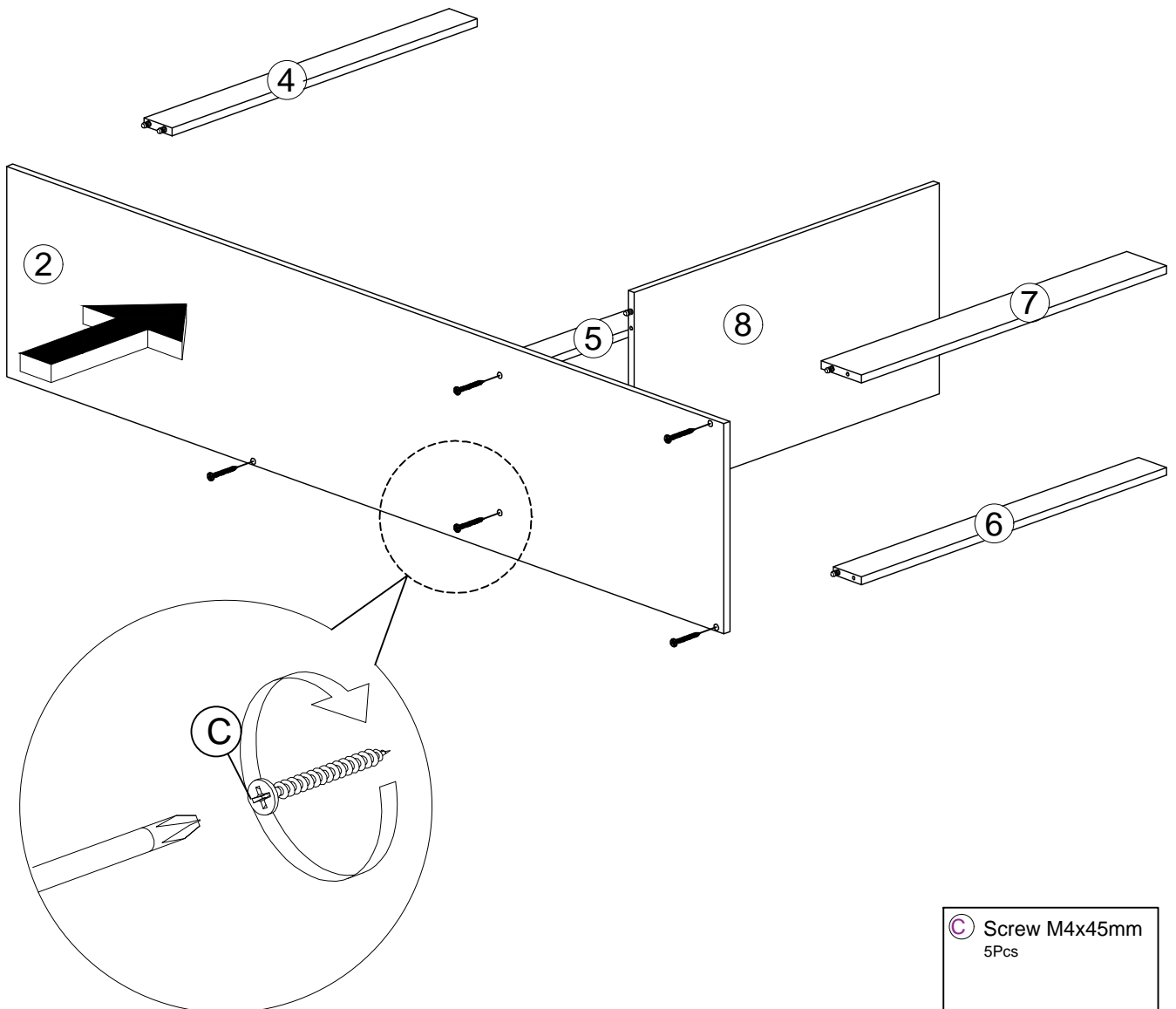
# HODEDAH

[www.hodedah.com](http://www.hodedah.com)  
[support@hodedah.com](mailto:support@hodedah.com)

## Assembly Instruction Step 1

\*Place and fix Panel 4, 5, 6, 7, 8 onto Panel 2 by inserting the (Left) dowels onto the non-thru holes at Panel 2.

\*Using tighten screws (C) from the 5 thru holes of panel 2, one by one.



### CAUTIONS

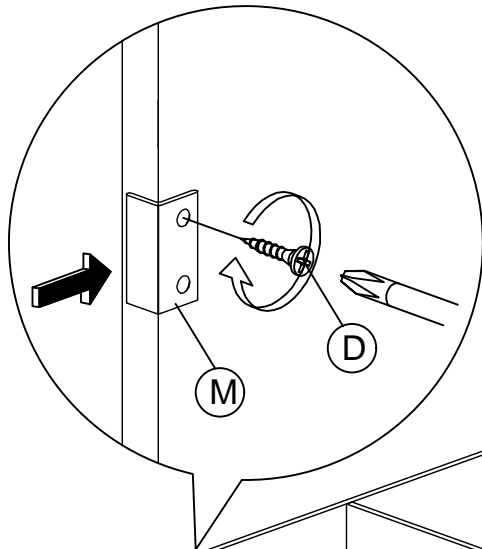
: When inserting the PVC Dowel to non-thru holes, don't push to hard. Otherwise, the side panels (2 & 3) may be damaged.



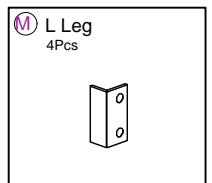
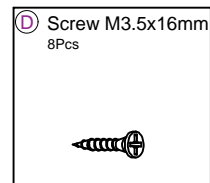
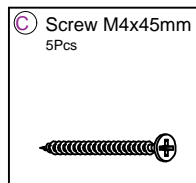
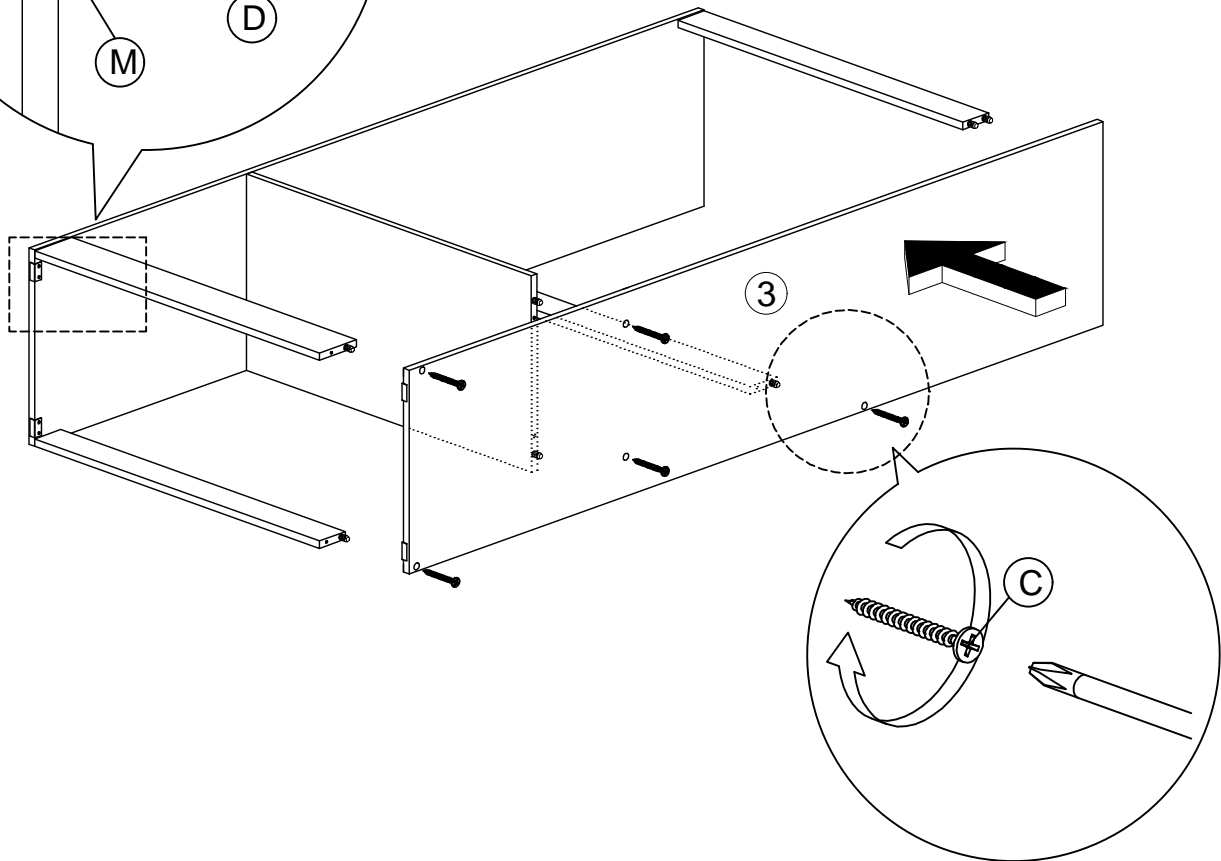
## Assembly Instruction Step 2

\*Fix Panel 3 onto Panels 4, 5, 6, 7 and 8 by inserting the panel 4, 5, 6, 7 and 8's dowels onto non-thru holes at Panel 3.

\*Using tighten 5 screws (C) from the thru holes of panel 3.



\*Place the L Leg (M) on the two side of Panel 2 and Panel 3. Using tighten 2 screws (D) thru the holes of L Leg (M) one by one.



**CAUTIONS**

: When inserting the PVC Dowel to non-thru holes, don't push to hard. Otherwise, the side panels (2 & 3) may be damaged.



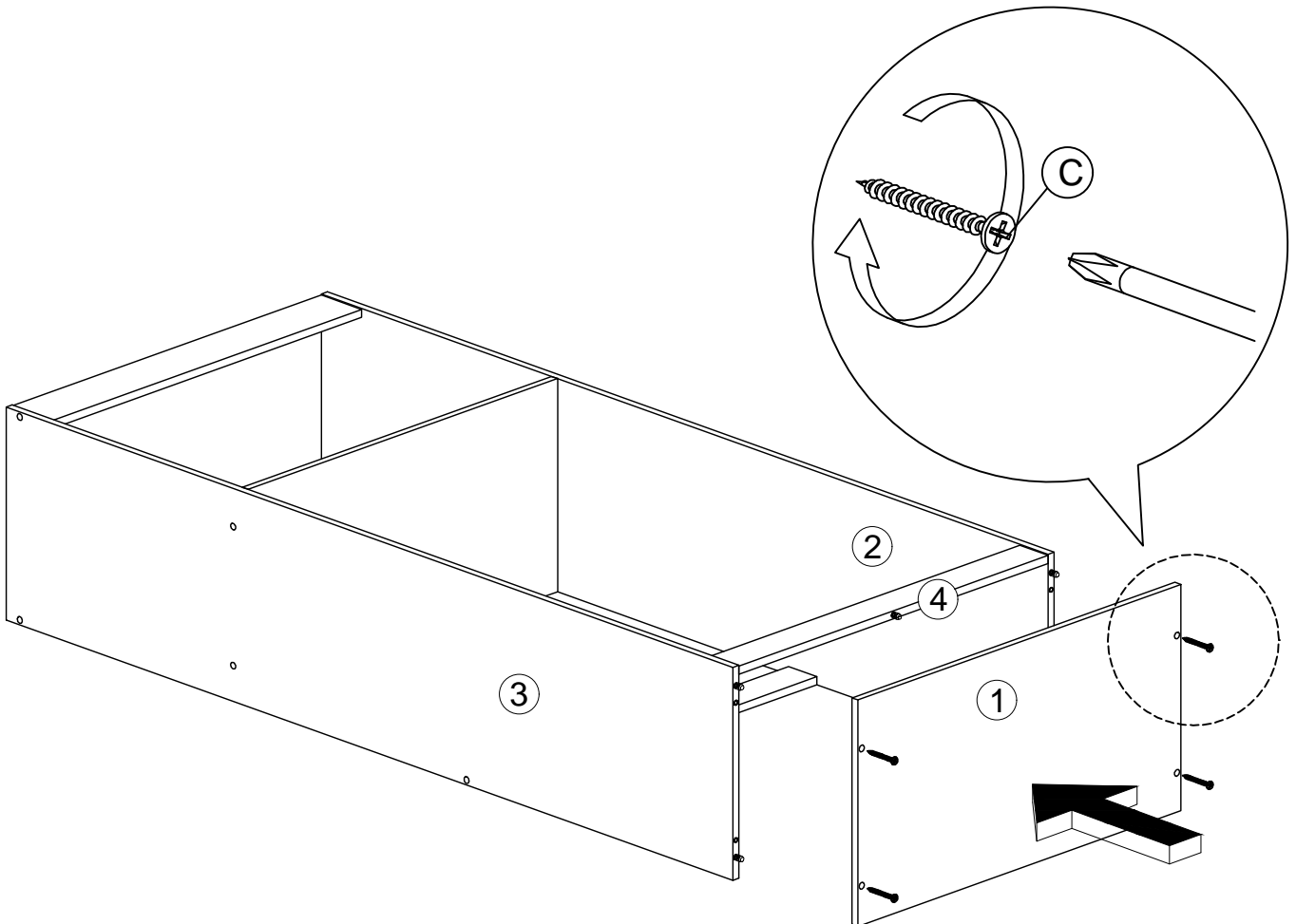
# HODEDAH

[www.hodedah.com](http://www.hodedah.com)

[support@hodedah.com](mailto:support@hodedah.com)

## Assembly Instruction Step 3

- Fix Panel 1 onto panel 2 and 3 and align properly by inserting the 5 dowels of panel 2, 3 and 4 onto the non thru holes of panel 1.
- Pushing and light tapping of panel 1 to have panel 1, panel 3, panel 2, panel 4 fix tightly.
- Use to tighten screws (C) from the thru-holes of panel 1.



(C) Screw M4x45mm  
4Pcs



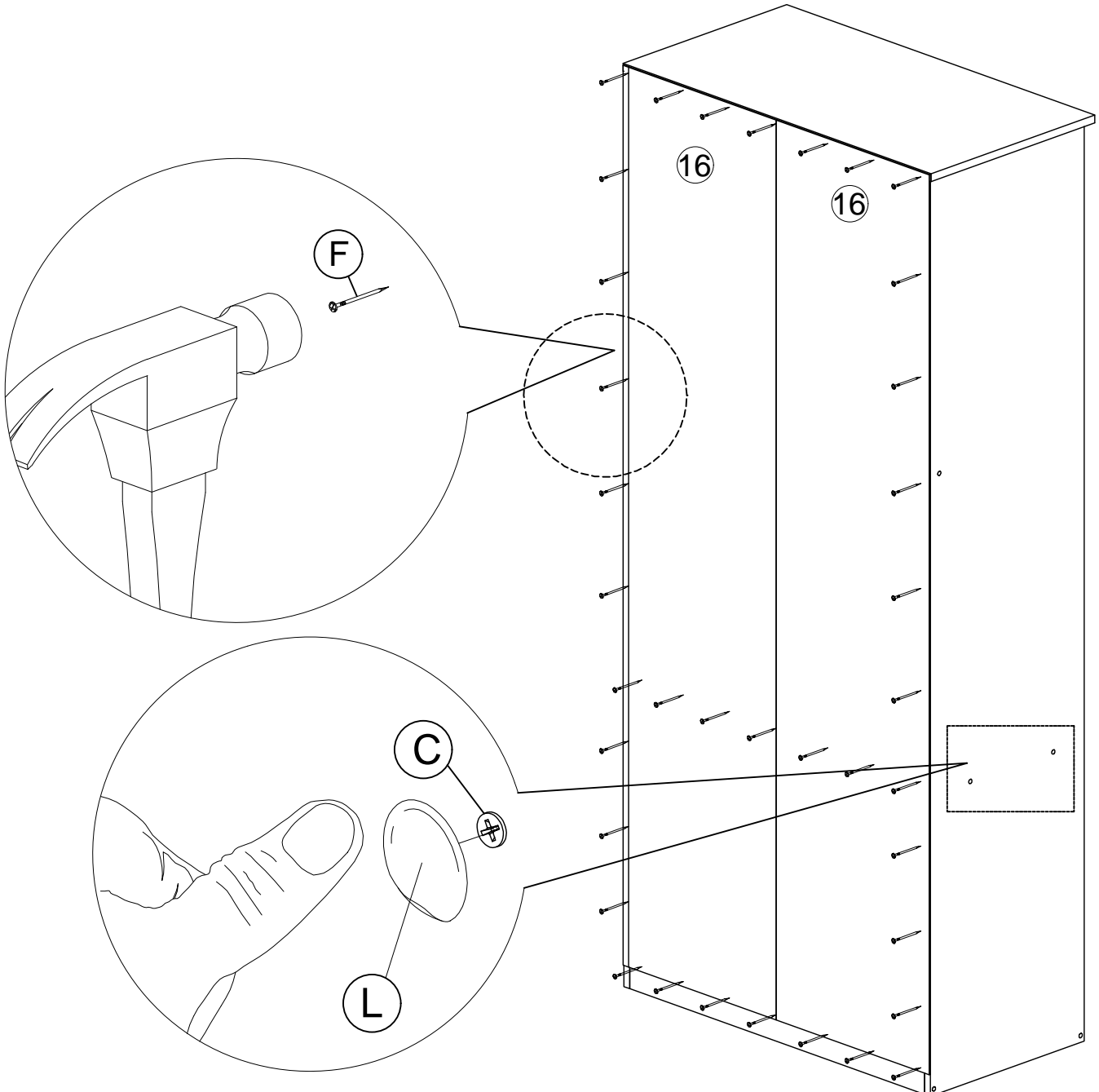


# HODEDAH

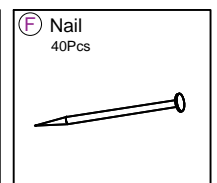
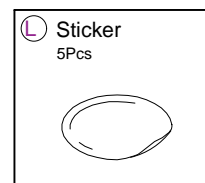
[www.hodedah.com](http://www.hodedah.com)  
[support@hodedah.com](mailto:support@hodedah.com)

## Assembly Instruction Step 4

\*Fix 40 x Nails (F) into Panel (16) using a Hammer.



\*Cover all the screws (C)' head with sticker (M) provided by stick up onto hole of screw (C)' heads one by one for all the screw (C).





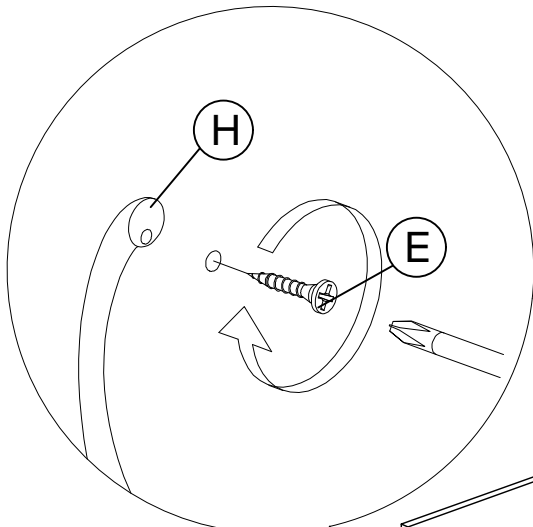
# HODEDAH

[www.hodedah.com](http://www.hodedah.com)

[support@hodedah.com](mailto:support@hodedah.com)

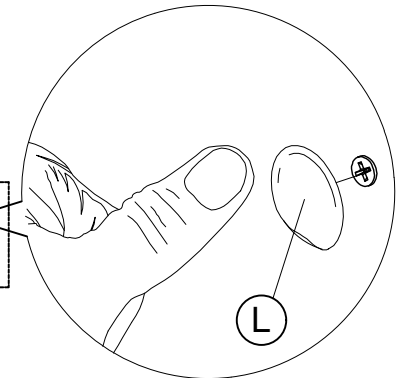
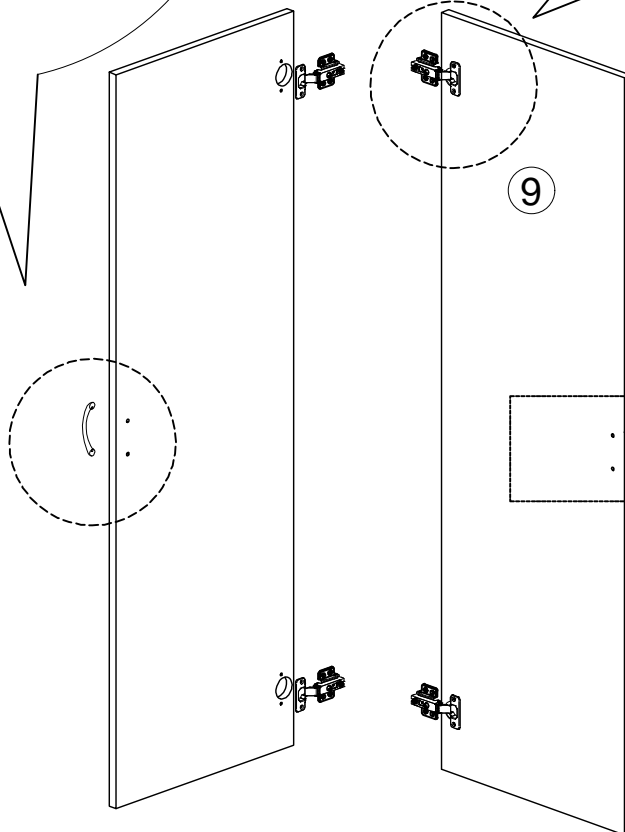
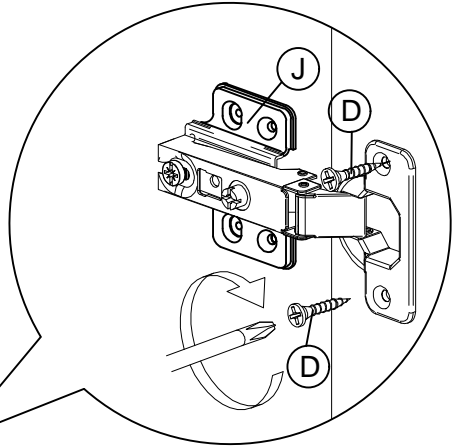
## Door Panel Assembly Instruction Step 1

\*Insert 4 Hinges (J) into door panel 9 's non-thru hole as shown, then tighten screws (D) through hinges (J) 's thru hole.

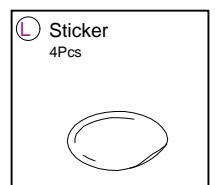
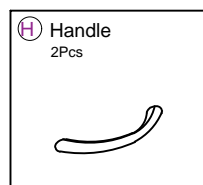
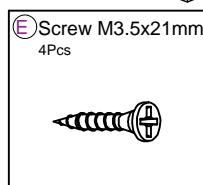
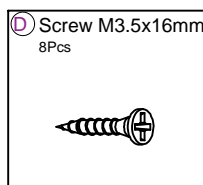
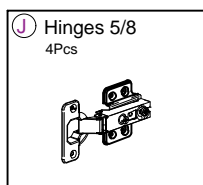


\*Tighten 2 screw (E) from inner side of door panel 9 into the handle (H) holes.

\*Remark : Door Panels 9 can use for both sides (Right door or left door).



\*Cover all screw (E)' head with sticker provided by stick up onto the hole of screw (E)' head.



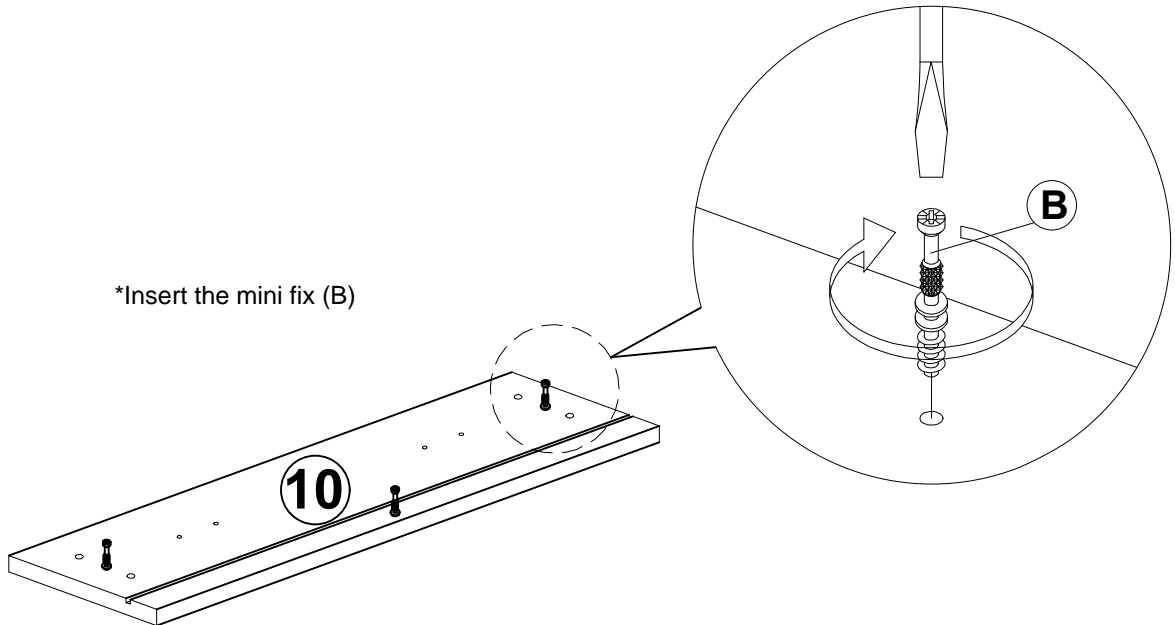


# HODEDAH

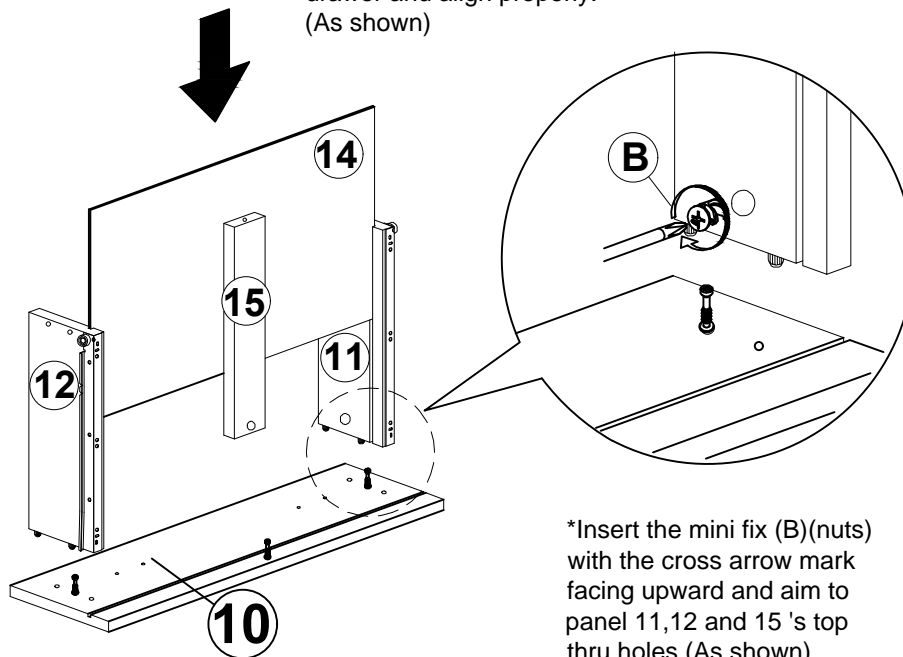
[www.hodedah.com](http://www.hodedah.com)  
[support@hodedah.com](mailto:support@hodedah.com)

## Assembly Of Drawers

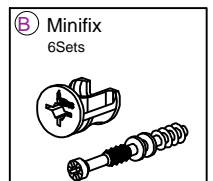
\*Insert the mini fix (B)



\*Insert Panel 14 into the drawer and align properly. (As shown)



\*Insert the mini fix (B)(nuts) with the cross arrow mark facing upward and aim to panel 11,12 and 15 's top thru holes.(As shown)

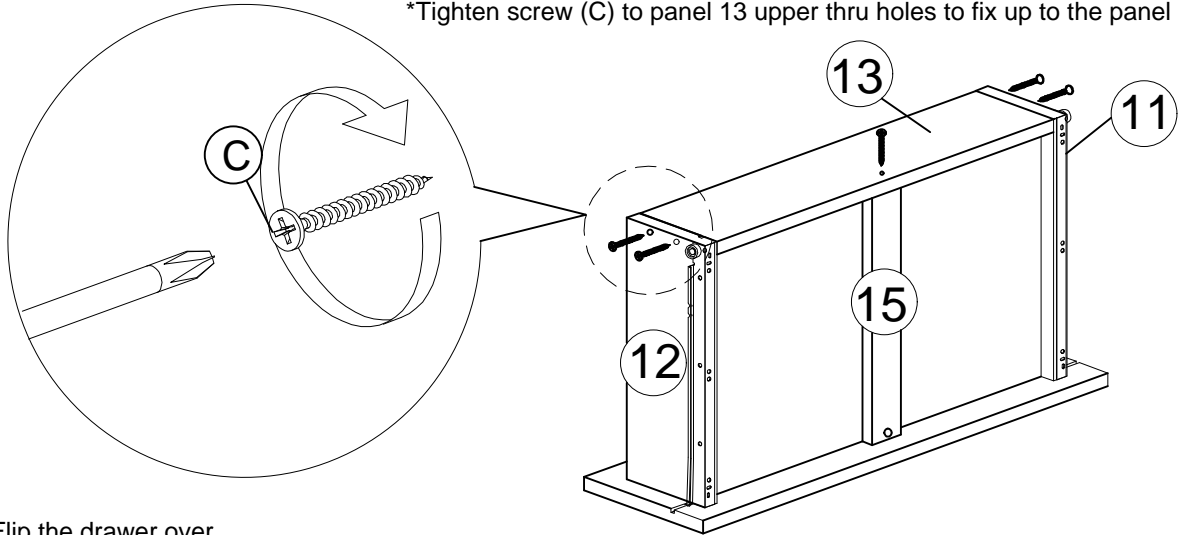




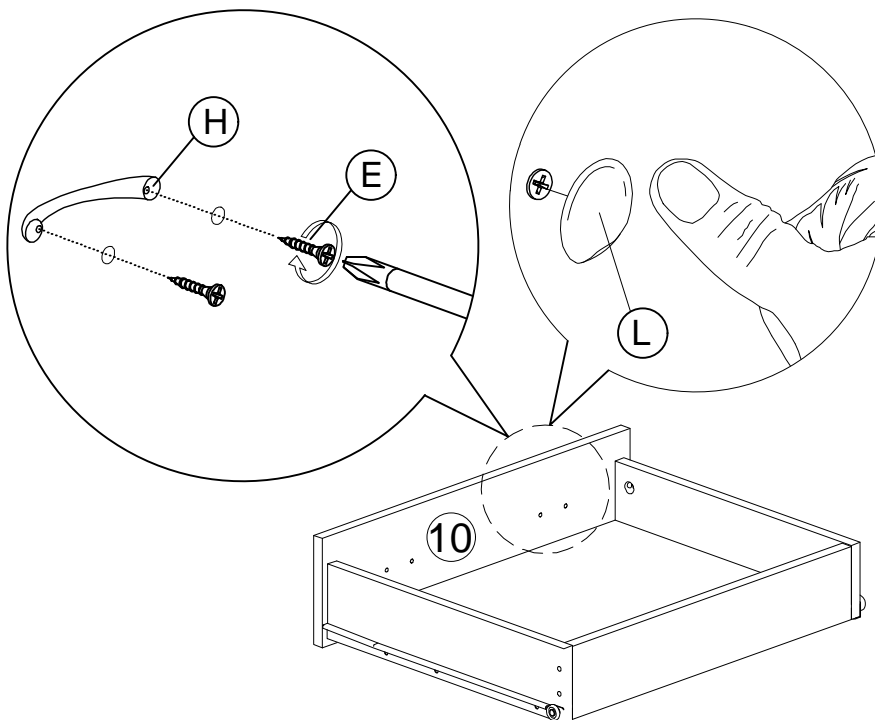
# HODEDAH

[www.hodedah.com](http://www.hodedah.com)  
[support@hodedah.com](mailto:support@hodedah.com)





- \*Place panel 13 on each side of panel 11 and 12 as shown.
- \*Then, tighten screw (C) to panel 11 's upper thru holes to fix them onto panel 13.
- \*Next tighten screw (C) to panel 12 's upper thru holes to fix up to the panel 13.
- \*Tighten screw (C) to panel 13 upper thru holes to fix up to the panel 15.

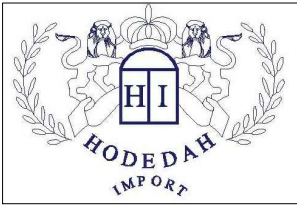


- \*Flip the drawer over.
- \*Tighten 2 screw (E) from inner side of panel 10 into the handle (H) holes.



- \*Cover all screw (E)' head with sticker (L) provided by stick up onto the hole of screw (E)' head.

<b>E</b> Screw M3.5x21mm 8Pcs 	<b>C</b> Screw M4x45mm 10Pcs 
<b>L</b> Sticker 8Pcs 	<b>H</b> Handle 4Pcs 



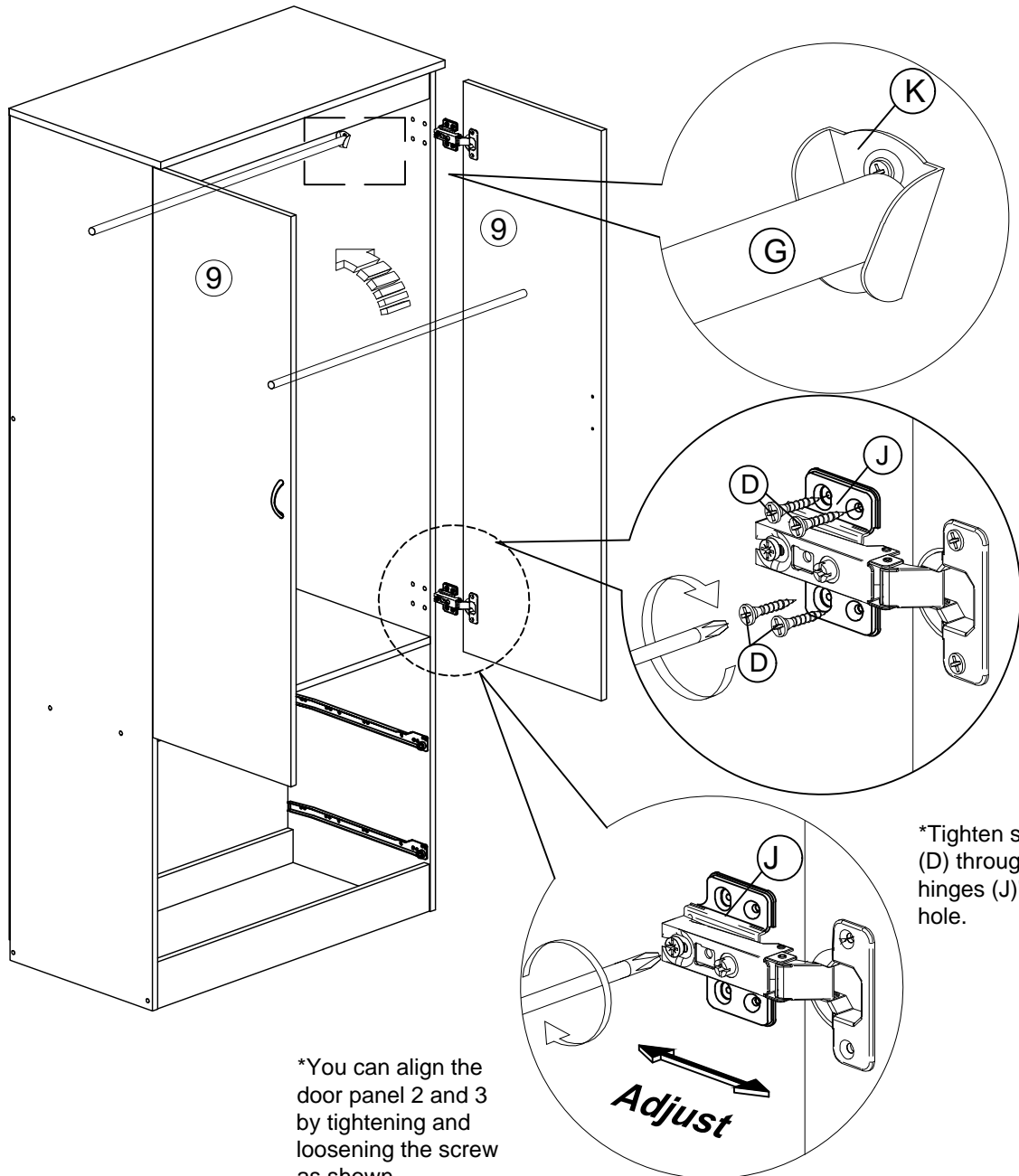
# HODEDAH

[www.hodedah.com](http://www.hodedah.com)

[support@hodedah.com](mailto:support@hodedah.com)

## Assembly Instruction Step 5

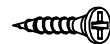
\*Place aluminium pipe onto both panel 2 and 3's V-bracket.



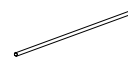
\*You can align the door panel 2 and 3 by tightening and loosening the screw as shown.

\*Tighten screw (D) through hinges (J)' s thru hole.

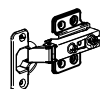
**D** Screw M3.5x16mm  
16Pcs

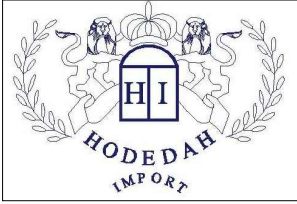


**G** Aluminium Pipe  
(760 X 19mm)  
1Pc



**J** Hinges 5/8  
4Pcs

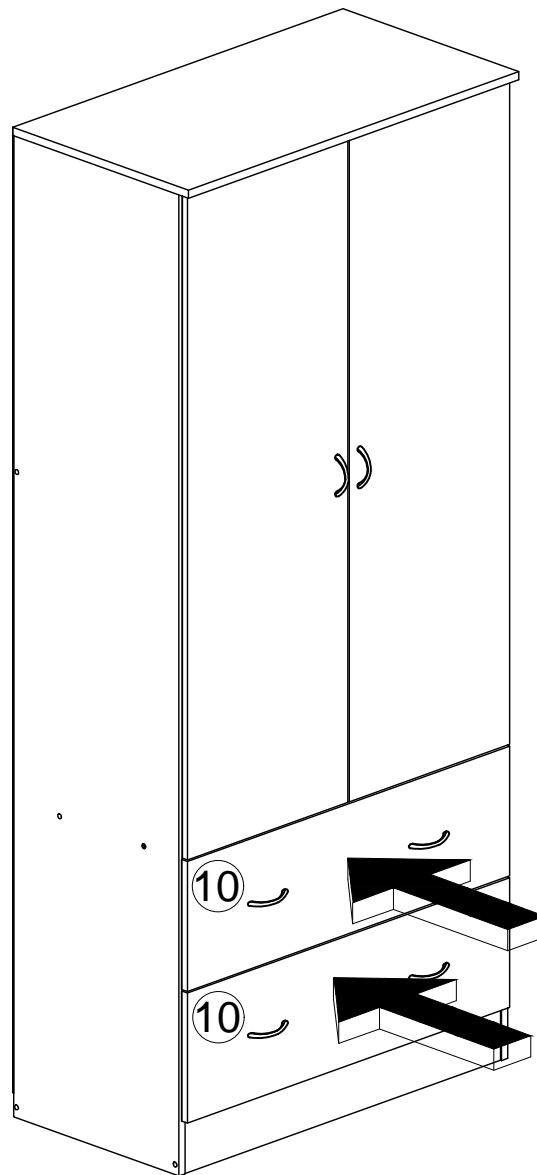




# HODEDAH

[www.hodedah.com](http://www.hodedah.com)  
[support@hodedah.com](mailto:support@hodedah.com)

## Assembly Instruction Step 6



\*Take drawer 10, and slide them (the white roller at drawer slide at both side of drawers are to go into the track of the slides at each side panel.) all the way gently, one drawer by one drawer starting from bottom one.