

PT9550SF

Profile™ Series 30" Built-In Double Convection Wall Oven

Dimensions and Installation Information (in inches)

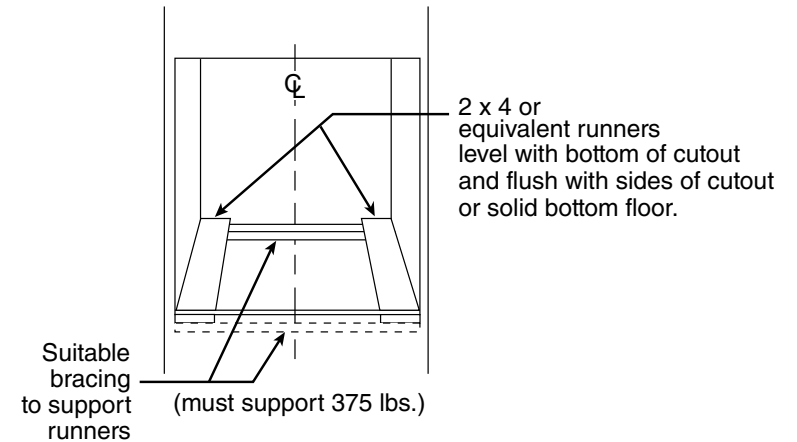
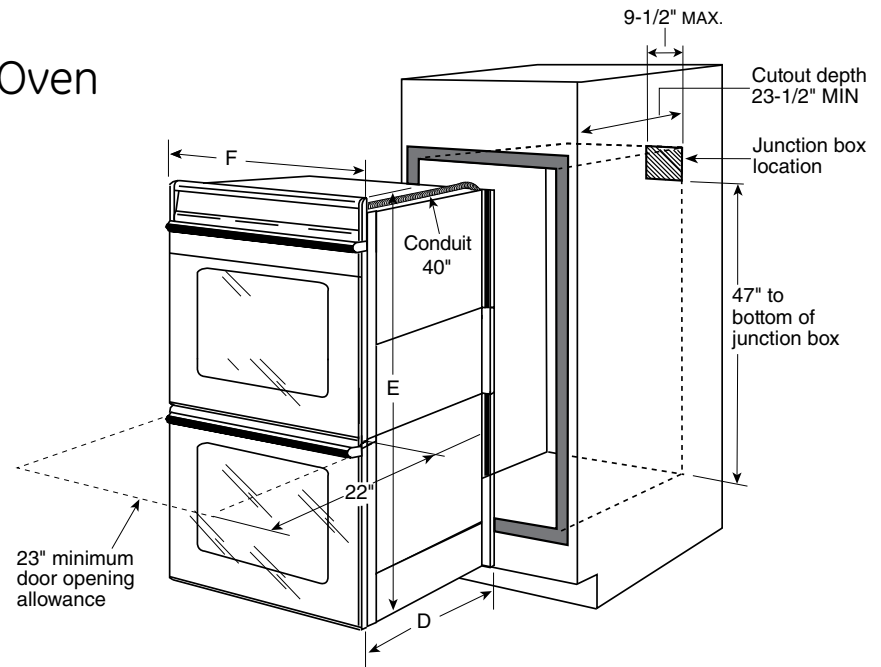
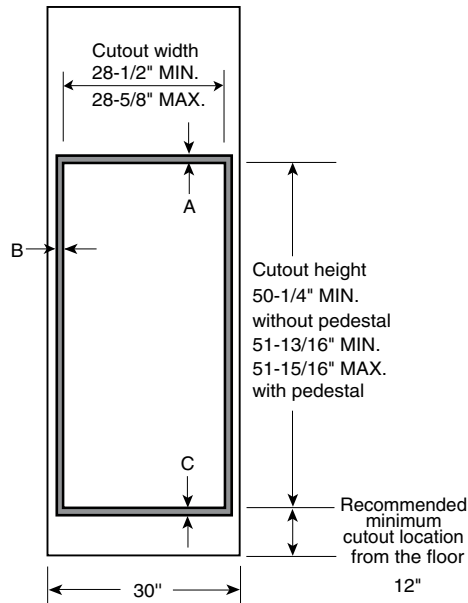
Note: Cabinets installed adjacent to wall ovens must have an adhesion spec of at least a 194°F temperature rating.

Door handle protrudes 3" from door face. Cabinets and drawers on adjacent 45° and 90° walls should be placed to avoid interference with the handle.

Electric wall ovens are not approved for installation with a plug and receptacle. They must be hard wired in accordance with installation instructions.

Installation Information: Before installing, consult installation instructions packed with product for current dimensional data.

KW Rating	
240V	9.0
208V	6.8
Breaker Size	
240V	40 Amps
208V	40 Amps



	PT9550
Cabinet	30"
A – Overlap of oven at top of cutout	1-1/4"
B – Overlap of oven over side of edges of cutout	3/4"
C – Overlap of oven at bottom of cutout	1-1/4"
Oven	
D – Overall depth with handle	27-3/16"
E – Overall height with trim	52-5/8"
F – Overall width	29-3/4"



For answers to your Monogram® or GE appliance questions, visit our website at geappliances.com or call GE Answer Center® service, 800.626.2000.



Specification Created 2/13

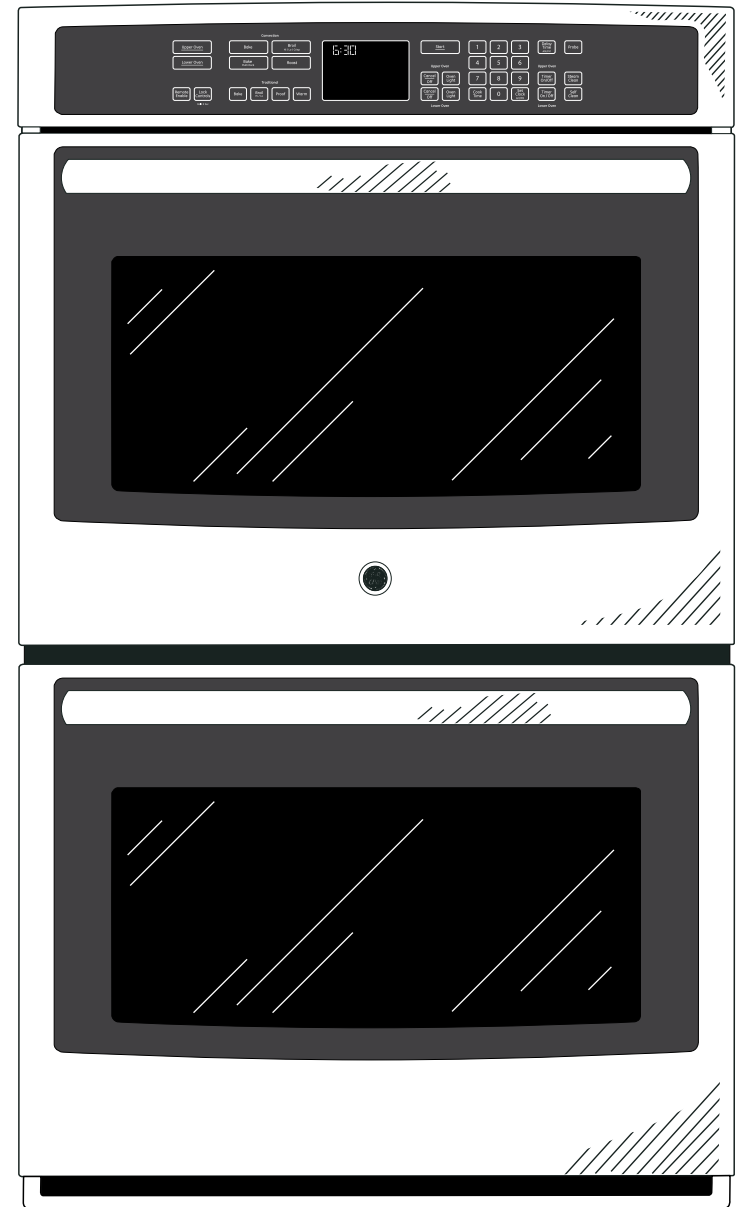
220155

PT9550SF

Profile™ Series 30" Built-In Double Convection Wall Oven

Features and Benefits

- True European Convection with Direct Air (Both Ovens) - Bakes evenly as warm air blows from the top in and around bakeware
- Connected - Wirelessly control oven functions from your smartphone
- Notification Lighting - Know the status of your oven functions with a quick glance
- Ten-Pass Bake Element - Even baking is assured with heat that covers more surface area
- Ten-Pass Dual Broil Element - Large and small dishes brown evenly with two, full-coverage elements
- Self-Clean Heavy-Duty Roller Rack - Easily access items with racks that glide smoothly
- Progressive Halogen Oven Lighting - See what you're baking with lights that slowly illuminate the oven
- Self-clean with Steam Clean Option (Both Ovens) - Clean your oven the way you want
- Glass Touch Controls - Set temperatures quickly and clean with little effort
- Double Oven 10.0 cu. ft. Total Oven Capacity (5.0 cu. ft. Both Ovens) - Large meals are easy with capacity that fits more at one time
- Model PT9550SFSS - Stainless steel



imagination at work

Specification Created 2/13

220155