

BLACKSTONE®

MODEL #1554

Français p. 25
Español p. 49

Owner's Manual

36" Griddle Cooking Station



**1-AA Battery required for ignitor
(not included)**



VIDEO ASSEMBLY

Watch an actual
BLACKSTONE 36" Griddle assembly.
Use a QR code app and scan the QR
code above. You will be taken to the
36" Griddle resource page.

www.blackstoneproducts.com/36griddle



FOR OUTDOOR USE ONLY



WARNING



Please read manual carefully before assembly
Retain this manual for future reference

<p> DANGER</p> <p>If you smell gas:</p> <ol style="list-style-type: none"> 1. Shut off gas to the appliance. 2. Extinguish any open flame. 3. If odor continues, keep away from the appliance and immediately call your gas supplier or your fire department. 	<p> WARNING</p> <ol style="list-style-type: none"> 1. Do not store or use gasoline or other flammable liquids or vapors in the vicinity of this or any other appliance. 2. An LP cylinder not connected for use shall not be stored in the vicinity of this or any other appliance.
----------------------------------------------------------------------------------------------------------------------------------------------------------------------------------------------------------------------------------------------------------------------------------------------------------------------------------------------------------------------------------------	-----------------------------------------------------------------------------------------------------------------------------------------------------------------------------------------------------------------------------------------------------------------------------------------------------------------------------------------------------------------------------------------------------

WARNING:

Before proceeding, make certain that you understand the IMPORTANT INFORMATION section of this manual.

Hazardous fire or explosion may result if instructions are ignored.



It is the consumer's responsibility to see that the griddle is properly assembled, installed, and maintained. Failure to follow the instructions in this manual could result in bodily injury and/or property damage.

FOR YOUR SAFETY IF YOU SMELL GAS:

1. Turn off gas supply at tank.
2. Extinguish all open flames; do not operate any electrical appliances.
3. Ventilate the area.
4. Check for leaks as detailed in this manual.



PRECAUTIONS:

1. Leak test all connections after each tank refill.
2. Never check for leaks with a match or open flame.
3. Do not store gasoline or other flammable vapors and liquids in the vicinity of this or any other appliance.
4. Any LP cylinder not connected for use shall not be stored in the vicinity of this or any other appliance.
5. Do not store a spare LP-gas cylinder under or near this appliance.
6. Never fill the cylinder beyond 80 percent full.
7. If the information in the above two statements is not followed exactly, a fire causing death or serious injury may occur.
8. Do not operate grill any closer than 36 inches from any combustible construction, including walls and ceilings.
9. Do not use this appliance under overhead combustible surfaces.
10. The regulator used in this unit is ZHENDAR T3. If this regulator fails, it must be replaced with the exact model and must only be replaced by a professionally licensed, authorized dealer.

 **DANGER** 

If you smell gas:

1. Shut off gas to the appliance.
2. Extinguish any open flame.
3. If odor continues, keep away from the appliance and immediately call your gas supplier or your fire department.

 **WARNING** 

1. Do not store or use gasoline or other flammable liquids or vapors in the vicinity of this or any other appliance.
2. An LP Tank not connected for use shall not be stored in the vicinity of this or any other appliance.

Call the BLACKSTONE Patio Oven Information Center for Help and Parts
 Missing Parts? Assembly Questions? Operation Problems?
 Before returning Patio Oven to store, call:
 USA (435) 252-3030 | Canada (801) 656-2041
 or email us at support@blackstoneproducts.com

Model Number _____

Serial Number _____

Date Purchased _____

To Installer/Assembler: Leave these instructions with consumer.
 To Consumer: Keep this manual for future reference.

 **CAUTION** 

Some parts may contain sharp edges, especially as noted in these instructions.
 Wear protective gloves if necessary.

 **CAUTION** 



For residential use only. Do not use for commercial cooking.

Installation Safety Precautions



- Use griddle, as purchased, only with LP (propane) gas and the regulator/valve assembly supplied.
- Griddle installation must conform with local codes, or in the absence of local codes, with either the National Fuel Gas Code, ANSI Z223.1/ NFPA 54, Natural Gas and Propane Installation Code, CSA B149.1, or Propane Storage and Handling Code, B149.2, or the Standard for Recreational Vehicles, ANSI A 119.2/NFPA 1192, and CSA Z240 RV Series, Recreational Vehicle Code, as applicable.
- Griddle is not for use in or on recreational vehicles and/or boats.
- This griddle is safety certified for use in the United States and/or Canada only. Do not modify for use in any other location. Modification will result in a safety hazard.

Safety Symbols



The symbols and boxes shown below explain what each heading means. Read and follow all of the messages found throughout the manual.

 **DANGER** 



DANGER: Indicates an imminently hazardous situation which, if not avoided, will result in death or serious injury.

 **WARNING** 

WARNING: Be alert to the possibility of serious bodily injury if the instructions are not followed. Be sure to read and carefully follow all of the messages.

 **CAUTION** 

CAUTION: Indicates a potentially hazardous situation which, if not avoided, may result in minor or moderate injury.

 **CALIFORNIA PROPOSITION 65 WARNING** 

WARNING: This product contains chemicals known to the State of California to cause cancer and birth defects or other reproductive harm. (California law requires this warning be given to customers in the State of California.) For more information: www.watts.com/prop65

TABLE OF CONTENTS

FOR YOUR SAFETY.....	2-3
USE AND CARE.....	5-11
ILLUSTRATED PARTS LIST.....	12
HARDWARE.....	13
ASSEMBLY.....	14-18
CARE AND MAINTENANCE.....	19
WARRANTY.....	20
GRIDDLE CARE & SEASONING.....	21-22
CUSTOMER SERVICE.....	23
REORDERING PARTS.....	23
CONTACT INFO.....	23



DANGER

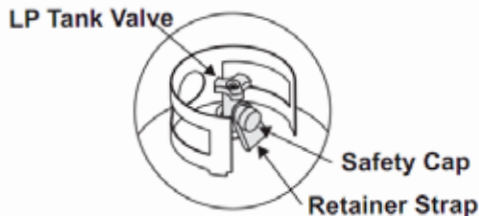


- NEVER store a spare LP cylinder under or near the appliance or in an enclosed area.
- Never fill a cylinder beyond 80% full.
- If the information in the two points above is not followed exactly, a fire causing death or serious injury may occur.
- An overfilled or improperly stored cylinder is a hazard due to possible gas release from the safety relief valve. This could cause an intense fire with risk of property damage, serious injury or death.
- If you see, smell or hear gas escaping, immediately get away from the LP cylinder and appliance and call your fire department.

LP Tank Removal, Transport And Storage

- Turn OFF all control knobs and LP tank valve. Turn coupling nut counterclockwise by hand only - do not use tools to disconnect. Lift LP tank wire upward off of LP tank collar, then lift LP tank up and off of support bracket. Install safety cap onto LP tank valve. Always use cap and strap supplied with valve.

Failure to use safety cap as directed may result in serious personal injury and/or property damage.



- A disconnected LP tank in storage or being transported must have a safety cap installed (as shown). Do not store an LP tank in enclosed spaces such as a carport, garage, porch, covered patio or other building. Never leave an LP tank inside a vehicle which may become overheated by the sun.
- Do not store an LP tank in an area where children play.

LP Tank

- The LP Tank used with your grill must meet the following requirements:
 - LP Tanks must be constructed and marked in accordance with specifications for LP Tanks of the U.S. Department of Transportation (DOT) or for Canada, CAN/CSA-B339, tanks, spheres and tubes for

transportation of dangerous goods. Transport Canada (TC). See LP Tank collar for marking.

- LP Tank valve must have:
 - Type 1 outlet compatible with regulator or grill.
 - Safety relief valve.
 - UL listed Overfill Protection Device (OPD). This OPD safety feature is identified by a unique triangular hand wheel. Use only LP Tanks equipped with this type of valve.
- LP Tank must be arranged for vapor withdrawal and include collar to protect LP Tank valve. Always keep LP Tanks in upright position during use, transit or storage.



LP Tank in upright position for vapor withdrawal

LP (Liquefied Petroleum Gas)

- LP gas is nontoxic, odorless and colorless when produced.
- For Your Safety, LP gas has been given an odor (similar to rotten cabbage) so that it can be smelled.
- LP gas is highly flammable and may ignite unexpectedly when mixed with air.

LP Tank Filling

- Use only licensed and experienced dealers.
- LP dealer must purge new tank before filling.
- Dealer should NEVER fill LP Tank more than 80% of LP Tank volume. Volume of propane in tank will vary by temperature.
- A frosty regulator indicates gas overfill. Immediately close LP Tank valve and call local LP gas dealer for assistance.
- Do not release liquid propane (LP) gas into the atmosphere. This is a hazardous practice.
- To remove gas from LP Tank, contact an LP dealer or call a local fire department for assistance. Check the telephone directory under "Gas Companies" for nearest certified LP dealers.



LP Tank Exchange

- Many retailers that sell grills offer you the option of replacing your empty LP tank through an exchange service. Use only those reputable exchange companies that inspect, precision fill, test and certify their tanks. Exchange your tank only for an OPD safety feature-equipped tank as described in the “LP Tank” section of this manual.
- Always keep new and exchanged LP tanks in upright position during use, transit or storage.
- Leak test new and exchanged LP tanks BEFORE connecting to grill.
- Place dust cap on cylinder valve outlet whenever the cylinder is not in use. Only install the type of dust cap on the cylinder valve outlet that is provided with the cylinder valve. Other types of caps or plugs may result in leakage of propane.

LP Tank Leak Test

For your safety

- Leak test must be repeated each time LP tank is exchanged or refilled.
- Do not smoke during leak test.
- Do not use an open flame to check for gas leaks.
- Griddle must be leak tested outdoors in a well-ventilated area, away from ignition sources such as gas fired or electrical appliances. During leak test, keep griddle away from open flames or sparks.
- Use a clean paintbrush and a 50/50 mild soap and water solution. Brush soapy solution onto areas indicated by arrows in figure below. Leaks are indicated by growing bubbles.

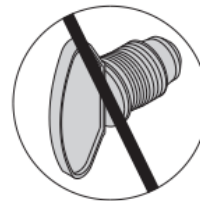
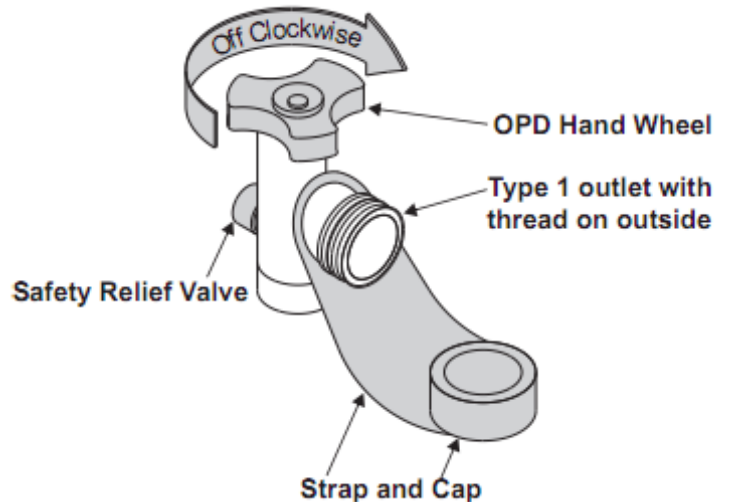
	<h1>WARNING</h1>	
<p>If “growing” bubbles appear do not use or move the LP tank. Contact an LP gas supplier or your fire department!</p>		

Do not use household cleaning agents. Damage to gas valve/hose/regulator components can result.



Connecting Regulator To The LP Tank

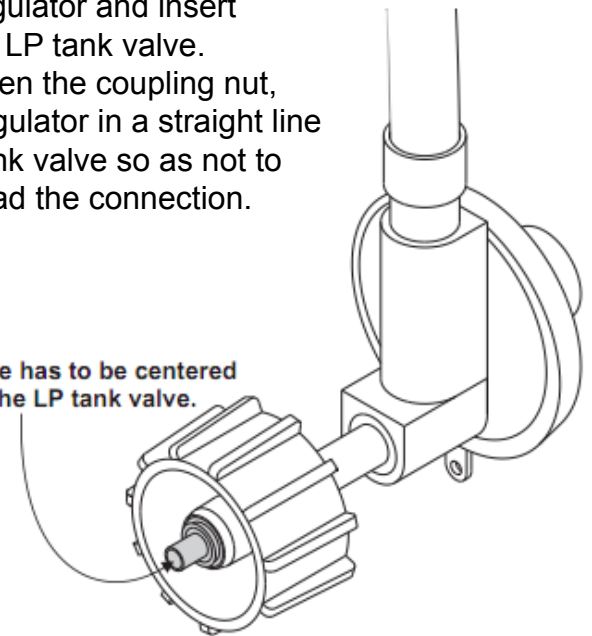
1. LP tank must be properly secured onto griddle. (Refer to assembly section.)
2. Turn all control knobs to the OFF position.
3. Turn LP tank OFF by turning OPD hand wheel clockwise to a full stop.
4. Remove the protective cap from LP tank valve. Always use cap and strap supplied with valve.

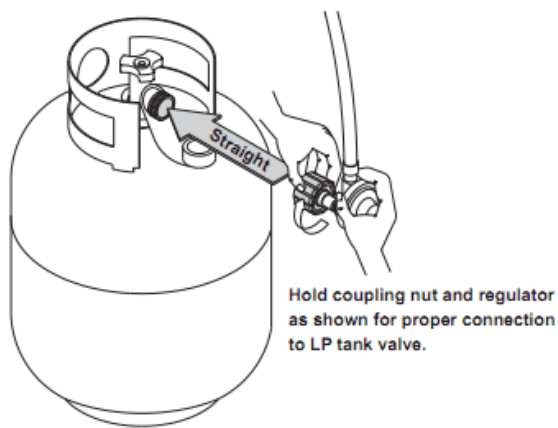


Do not insert a POL transport plug (plastic part with external threads) into the Type 1 tank valve outlet. It will defeat the Safety Relief Valve feature.

5. Hold regulator and insert nipple into LP tank valve. Hand-tighten the coupling nut, holding regulator in a straight line with LP tank valve so as not to cross thread the connection.

Nipple has to be centered into the LP tank valve.





6. Turn the coupling nut clockwise and tighten to a full stop. The regulator will seal on the back-check feature in the LP tank valve, resulting in some resistance. **An additional one-half to three-quarters turn is required to complete the connection. Tighten by hand only – do not use tools.**

NOTE:

If you cannot complete the connection, disconnect regulator and repeat steps 5 and 6. If you are still unable to complete the connection, do not use this regulator!

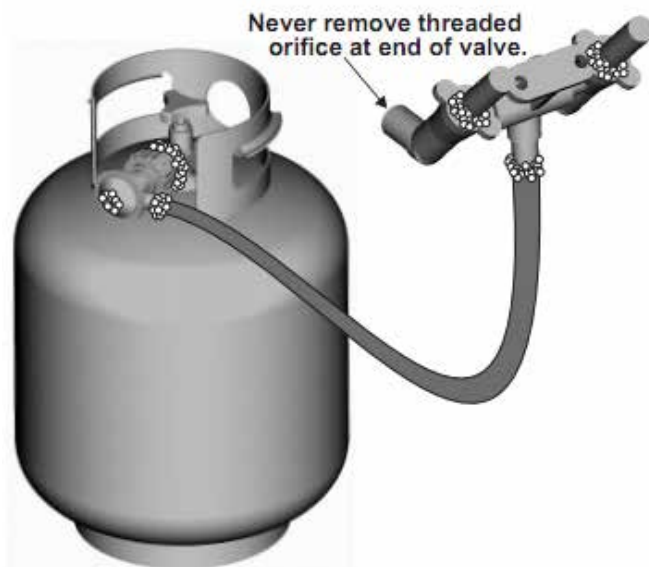
Call (435) 252-3030 for identical replacement parts.

!	DANGER	!
<ul style="list-style-type: none"> Do not insert any tool or foreign objects into the valve outlet or safety relief valve. You may damage the valve and cause a leak. Leaking propane may result in explosion, fire, severe personal injury, or death. If a leak is detected at any time, STOP and call the fire department. If you cannot stop a gas leak, immediately close LP tank valve and call LP gas supplier or your fire department! 		

!	WARNING	!
<ul style="list-style-type: none"> Never attempt to attach this grill to the self-contained LP gas system of a camper trailer or motor home. Do not use grill until leak-tested. 		

Leak Testing Valves, Hose and Regulator

1. Turn all griddle control knobs to OFF.
2. Be sure regulator is tightly connected to LP tank.
3. Completely open LP tank valve by turning OPD hand wheel counterclockwise. If you hear a rushing sound, turn gas off immediately. There is a major leak at the connection. Correct before proceeding by calling for replacement parts at (435) 252-3030.
4. Brush soapy solution onto areas where bubbles are shown in picture below:



5. If **“growing”** bubbles appear, there is a leak. Close LP tank valve immediately and retighten connections. **If leaks cannot be stopped do not try to repair. Call** for replacement parts at (435) 252-3030.
6. Always close LP tank valve after performing leak test by turning hand wheel clockwise.

Safety Tips

1. Before opening LP cylinder valve, check the coupling nut for tightness.
2. When griddle is not in use, turn off all control knobs and LP cylinder valve.
3. Never move griddle while in operation or still hot.
4. Use long-handled barbecue utensils and oven mitts to avoid burns and splatters.
5. Maximum on side shelf is 10 lbs.
6. The grease tray must be inserted into griddle and emptied after each use. Do not remove grease tray until grill has completely cooled.
7. Clean griddle often, preferably after each cookout. If a bristle brush is used to clean any of the grill cooking surfaces, ensure no loose bristles remain on cooking surfaces prior to grilling.
8. If you notice grease or other hot material dripping from grill onto valve, hose or regulator, turn off gas supply at once. Determine the cause, correct it, then clean and inspect valve, hose and regulator before continuing. Perform a leak test.
9. Keep ventilation openings in cylinder enclosure (grill cart) free and clear of debris.
10. The regulator may make a humming or whistling noise during operation. This will not affect safety or use of grill.
11. If you have a griddle problem see the “Troubleshooting Section”.
12. If the regulator frosts, turn off griddle and LP cylinder valve immediately. This indicates a problem with the cylinder and it should not be used on any product. Return to supplier!

CAUTION

- Do not use water on a grease fire. Personal injury may result. If a grease fire develops, turn knobs and LP cylinder off.
- Do not leave grill unattended while preheating or burning off food residue on HI. If grill has not been regularly cleaned, a grease fire can occur that may damage the product.

Ignitor Lighting the Griddle

Do not lean over grill while lighting.

1. In order for the igniter switch to work, please make sure the battery is properly installed.



2. Turn **OFF** gas burner control valves.



3. Turn **ON** gas at LP cylinder.






4. To ignite, push and turn the **IGNITION BURNER** knob to **MAX**.
5. Push and hold **ELECTRONIC IGNITION** button until the **IGNITION BURNER** lights.



6. If ignition does **NOT** occur in 5 seconds, turn the burner controls **OFF**, wait 5 minutes and repeat the lighting procedure.
7. To ignite remaining burners, turn each burner knob in sequence to the position, starting with the burner closest to the **IGNITION BURNER**.



8. Once each burner has ignited, turn knobs to desired setting.

	WARNING	
Turn controls and gas source or tank OFF when not in use.		
	CAUTION	
If ignition does NOT occur in 5 seconds, turn the burner controls OFF, wait 5 minutes and repeat the lighting procedure. If the burner does not ignite with the valve open, gas will continue to flow out of the burner and could accidentally ignite with risk of injury.		

Burner Flame Check

- Light burners, rotate knobs from to low. You should see a smaller flame in low position than seen on. Perform burner flame check on side burner, also. Always check flame prior to each use. If only low flame is seen refer to “Sudden drop or low flame” in the Troubleshooting.

Turning Grill Off

- Turn all knobs to the OFF position. Turn LP cylinder OFF by turning hand-wheel clockwise to a full stop.

Ignitor Check

- Turn gas off at LP cylinder. Press and hold electronic ignitor button. “Click” should be heard and spark seen each time between each collector box or burner and electrode. See “Troubleshooting” if no click or spark.

Valve Check

- Important: Make sure gas is off at LP cylinder before checking valves. Knobs lock in OFF position. To check valves, first push in knobs and release, knobs should spring back. If knobs do not spring back, replace valve assembly before using griddle. Turn knobs to low position then turn back to OFF position. Valves should turn smoothly.

Hose Check

- Before each use, check to see if hoses are cut or worn. Replace damaged hoses before using

griddle. Use only identical replacement part valve/hose/regulator as specified in the Parts List of this Use and Care Guide.

General Griddle Cleaning

- Do not mistake brown or black accumulation of grease and smoke for paint. Interiors of gas grills are not painted at the factory (and should never be painted). Apply a strong solution of detergent and water or use a griddle cleaner with scrub brush on insides of griddle lid and bottom. Rinse and allow to completely air dry. Do not apply a caustic griddle/oven cleaner to painted surfaces.
- Plastic parts: Wash with warm soapy water and wipe dry. Do not use Citrisol, abrasive cleaners, degreasers or a concentrated griddle cleaner on plastic parts. Damage to and failure of parts can result.
- Painted surfaces: Wash with mild detergent or nonabrasive cleaner and warm soapy water. Wipe dry with a soft nonabrasive cloth.
- Stainless steel surfaces: To maintain your griddle’s high quality appearance, wash with mild detergent and warm soapy water and wipe dry with a soft cloth after each use.
- Baked-on grease deposits may require the use of an abrasive plastic cleaning pad. Use only in direction of brushed finish to avoid damage. Do not use abrasive pad on areas with graphics.
- Cooking surfaces: If a bristle brush is used to clean any of the griddle cooking surfaces, ensure no loose bristles remain on cooking surfaces prior to grilling.

Storing Your Griddle

- Clean cooking grates.
- Store in dry location.
- When an LP cylinder is connected to griddle, store outdoors in a well-ventilated space and out of reach of children.
- Cover griddle if stored outdoors. Choose from a variety of griddle covers offered by manufacturers.
- Store grill indoors ONLY if LP cylinder is turned off and disconnected, removed from griddle and stored outdoors.
- When removing griddle from storage, follow “Cleaning the Burner Assembly” instructions before starting griddle.

Cleaning the Burner Assembly

Follow these instructions to clean and/or replace parts of burner assembly or if you have trouble igniting griddle.

1. Turn gas OFF at control knobs and LP cylinder.
2. Remove cooking grates and flame tamers.
3. Remove carryover tubes and burners.
4. Detach electrode from burner.

NOTE: Removal/Detachment method will depend on the burner configuration.

5. Carefully lift each burner up and away from valve openings. We suggest three ways to clean the burner tubes. Use the one easiest for you. (A) Bend a stiff wire (a light weight coat hanger works well) into a small hook. Run the hook through each burner tube several times. (B) Use a narrow bottle brush with a flexible handle (do not use a brass wire brush), run the brush through each burner tube several times. (C) Wear eye protection: Use an air hose to force air into the burner tube and out the burner ports. Check each port to make sure air comes out each hole.
6. Wire brush entire outer surface of burner to remove food residue and dirt.
7. Clean any blocked ports with a stiff wire such as an open paper clip.
8. Check burner for damage, due to normal wear and corrosion some holes may become enlarged. If any large cracks or holes are found replace burner.

VERY IMPORTANT: Burner tubes must reengage valve openings.

9. Attach electrode to burner.
10. Carefully replace burners.
11. Attach burners to brackets on firebox.

12. Reposition carryover tubes and attach to burners. Replace flame tamers and cooking grates.

Food Safety

Food safety is a very important part of enjoying the outdoor cooking experience. To keep food safe from harmful bacteria, follow these four basic steps:

Clean: Wash hands, utensils, and surfaces with hot soapy water before and after handling raw meat and poultry.

Separate: Separate raw meats and poultry from ready-to eat foods to avoid cross contamination. Use a clean platter and utensils when removing cooked foods.

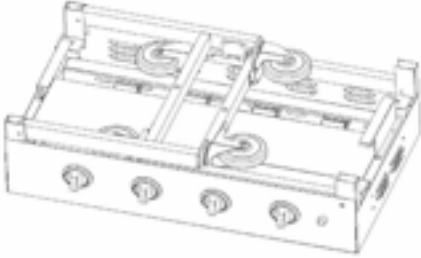


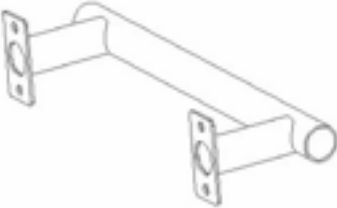

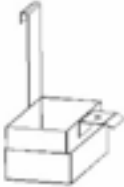




Cook: Cook meat and poultry thoroughly to kill bacteria. Use a thermometer to ensure proper internal food temperatures.

Chill: Refrigerate prepared foods and leftovers promptly. For more information Visit the Canadian partnership for Consumer Food Safety Education-www.befood safe.ca.

How To Tell If Meat Is Grilled Thoroughly

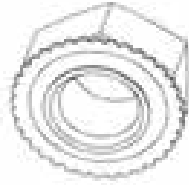
- Meat and poultry cooked on a griddle often browns very fast on the outside. Use a meat thermometer to be sure food has reached a safe internal temperature, and cut into food to check for visual signs of being done.
- Whole poultry should reach 165° F/74°C. Juices should run clear and flesh should not be pink.
- Hamburgers made of any ground meat or poultry should reach 160° F/71°C , and be brown in the middle with no pink juices. Beef, veal and lamb steaks, roasts and chops can be cooked to 145° F/63°C . All cuts of pork should reach 160° F/71°C.
- NEVER partially grill meat or poultry and finish cooking later. Cook food completely to destroy harmful bacteria.
- When reheating takeout foods or fully cooked meats like hot dogs, grill to 165° F/64°C , or until steaming hot dogs, grill to 165°F/74°C, or until steaming hot.

ILLUSTRATED PARTS LIST

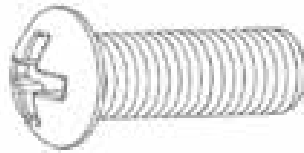
<p>1.Body 1 pc (with Knob valve)</p> 	<p>2.Bottom tray 1 pc</p> 
<p>3.Side shelf 2 pcs</p> 	<p>4.Side handle 1or2 pcs</p> 
<p>5.Griddle top 1 pc</p> 	<p>6.Oil cup 1 pc</p> 
<p>7.Upper Hanger.....1PC</p> 	<p>8.KNOB - small 4 pcs</p> 
<p>9.KNOB - big 2 pcs</p> 	<p>10.lower Fastener.....1PC</p> 

ILLUSTRATED HARDWARE LIST

1. M6 NUT 4 or 8 pcs



2. M6x12 Screw 4 or 8 pcs



WARNING: The manufacturer has made every effort to eliminate any sharp edges. However, you should handle all components with care to avoid accidental injury. Tools required: The only tool needed is a Phillips Screwdriver needed for minimal assembly on the cover and main body handles.

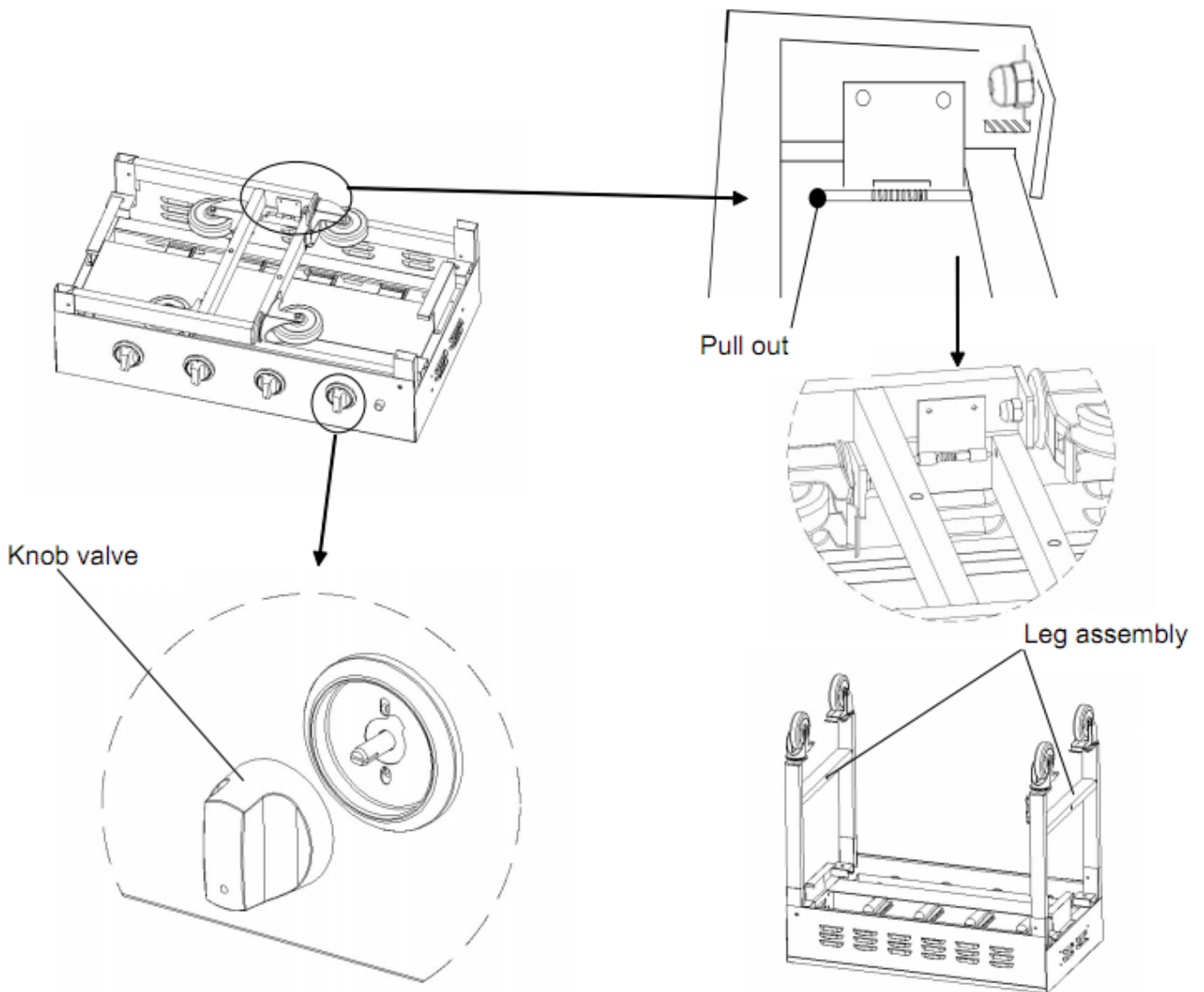
ASSEMBLY:

Please read all instructions thoroughly before proceeding. Find a large, clean area in which to assemble your grill. Please refer to the parts list and assembly diagram as necessary. Grill assembly involves large components; therefore, it is advised to have two people set up the unit.

NOTICE: *Make sure all the plastic protection is removed before assembling*

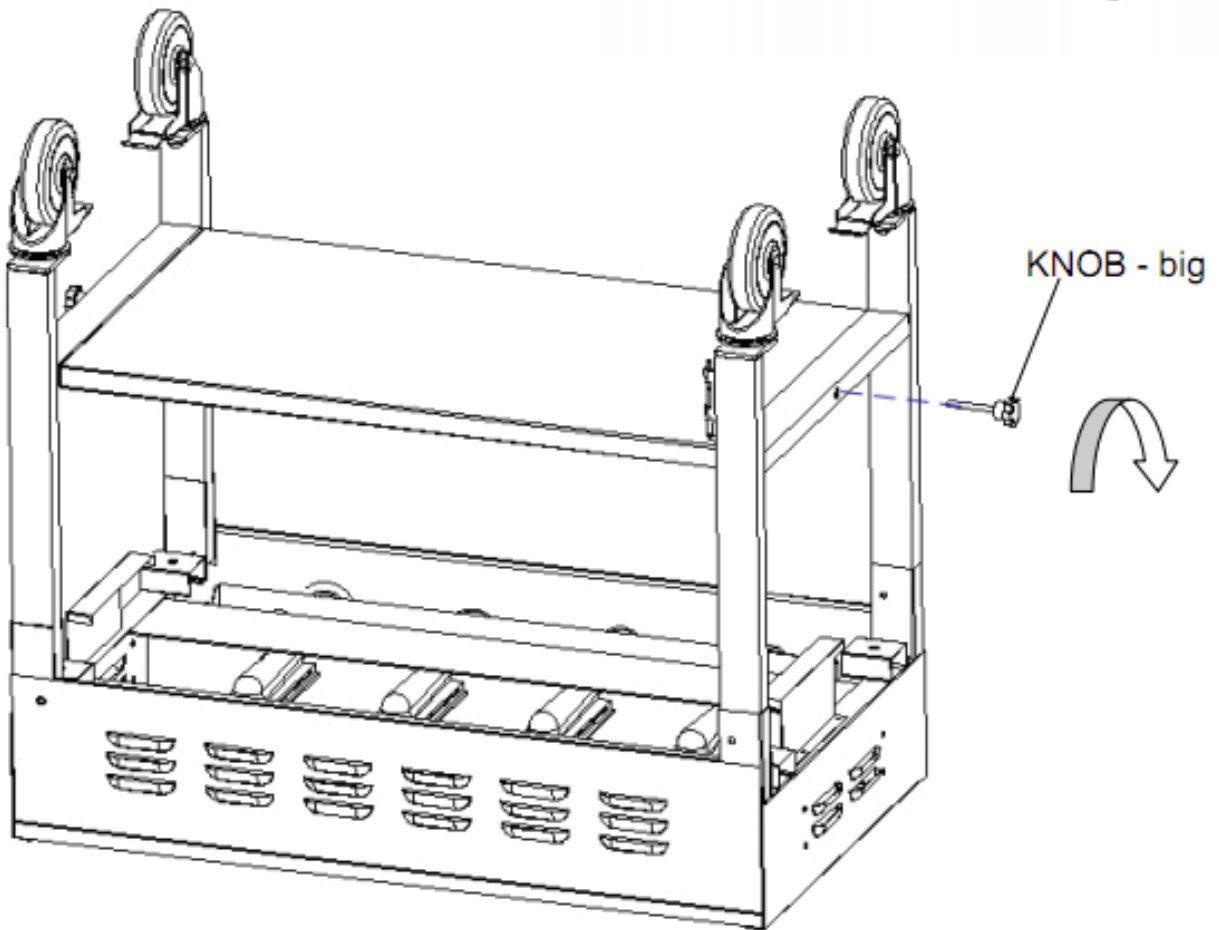
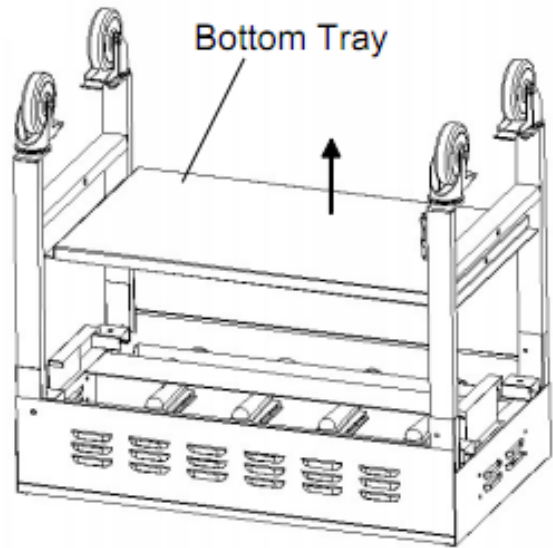
Step 1:

Open the Leg assembly. See Below



Step 2 :

Install the Bottom tray using KNOB- big .See Below
Then tighten the KNOB - big . Repeat step for other end .

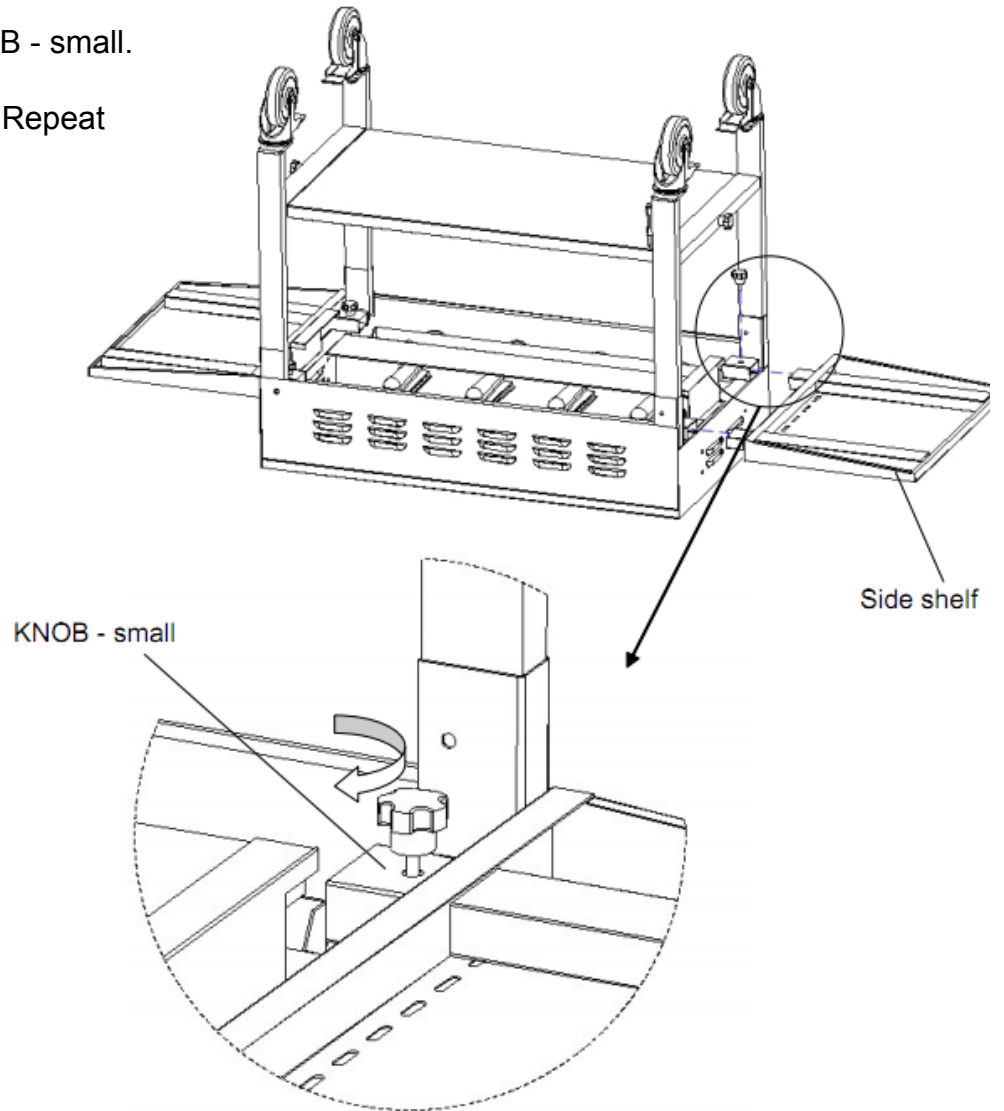


Step 3 :

Install the Side shelf using KNOB - small.

See Below

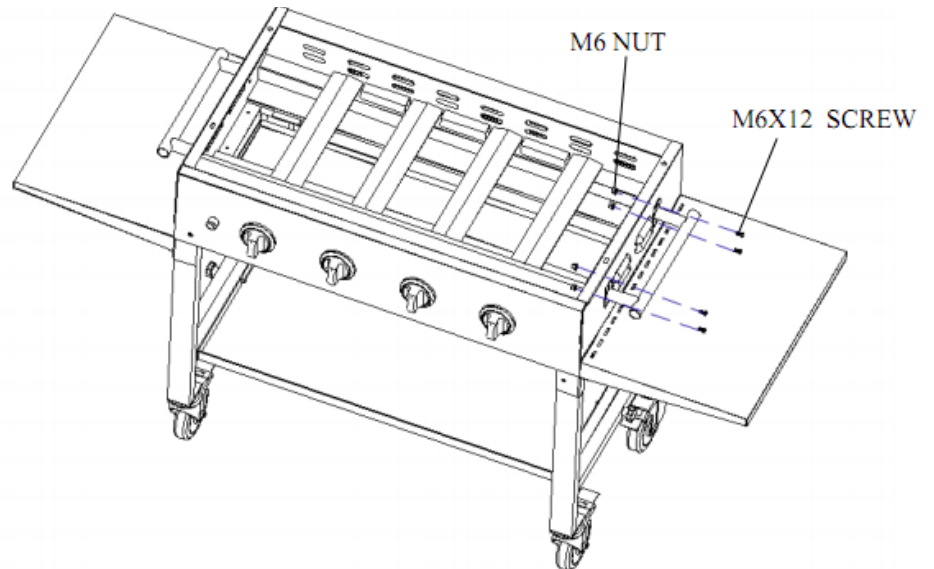
Then tighten the KNOB - small. Repeat step for other end.



Step 4 :

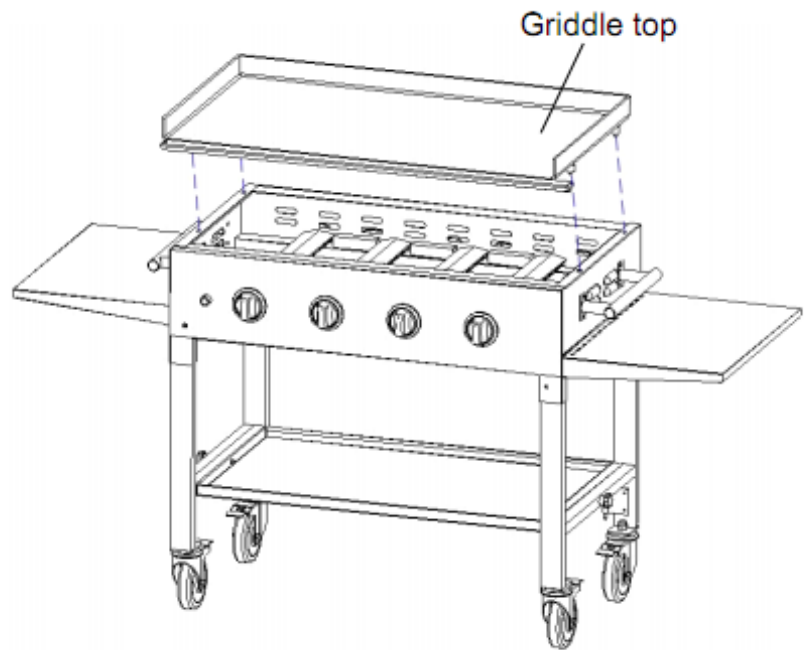
Install the Side handle using M6x12 Screw with M6 Nut.

Then tighten the Screw . Repeat step for other end .



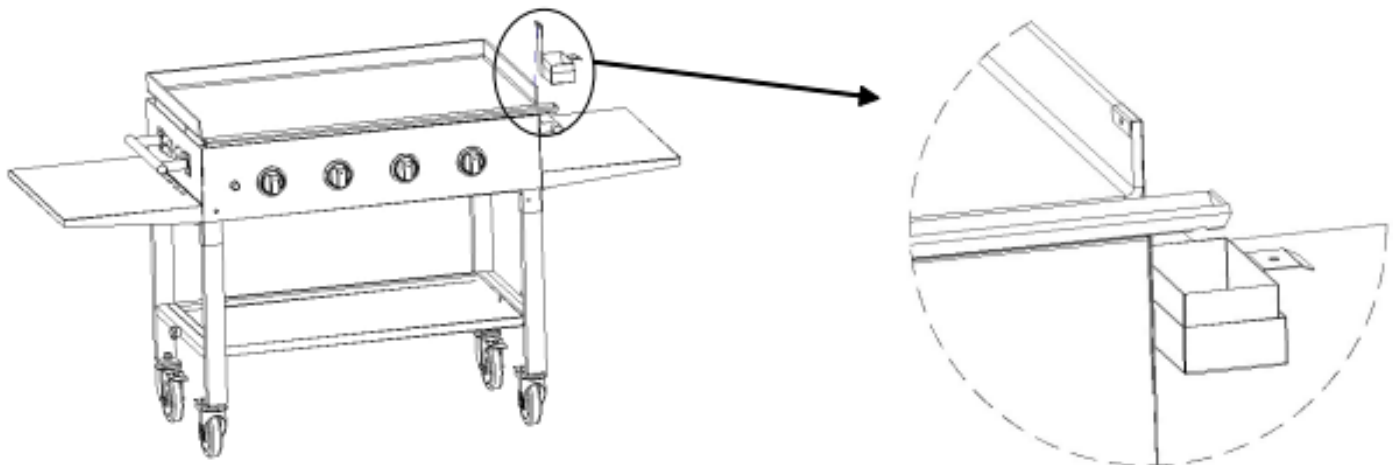
Step 5 :

Install the Griddle top. See Below.



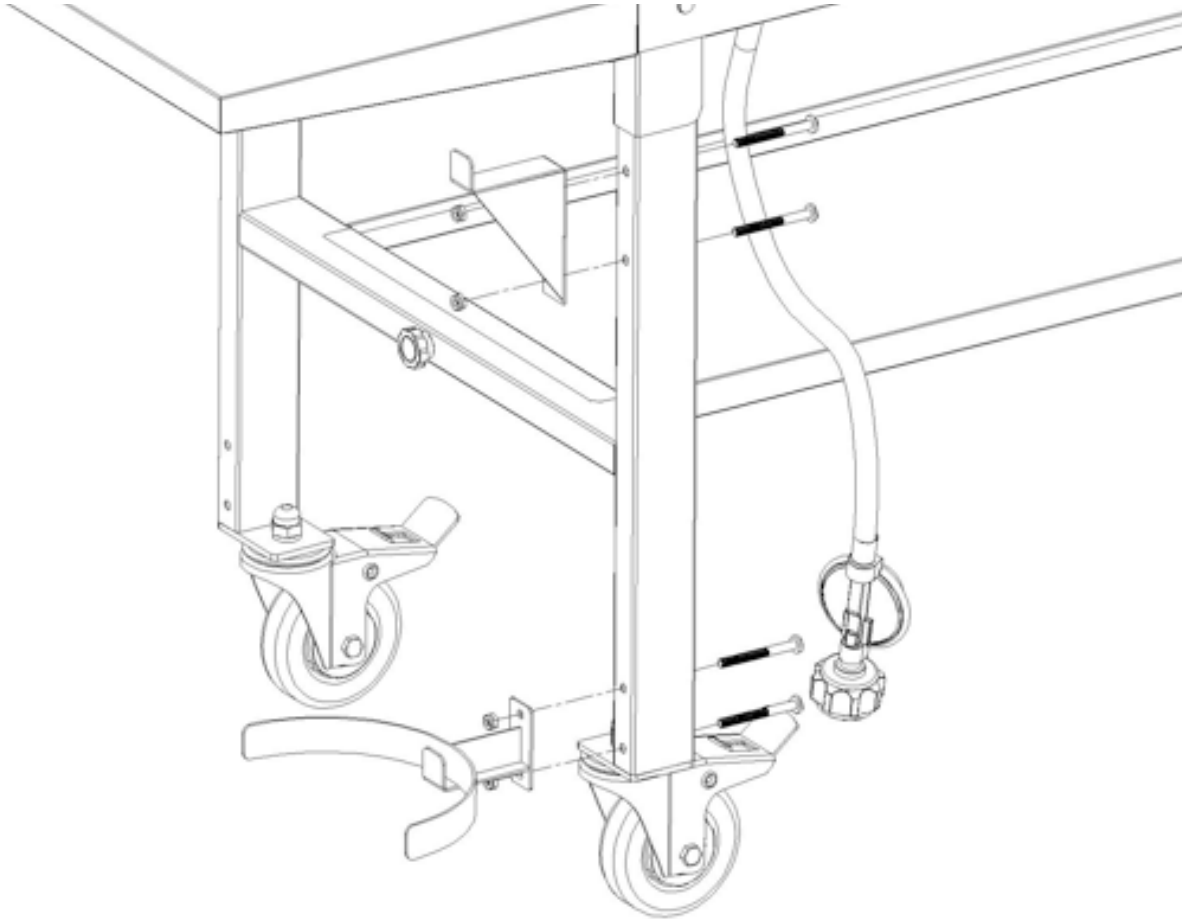
Step 6 :

Install the Oil cup. Hang the oil cup on Griddle top.
See Below.



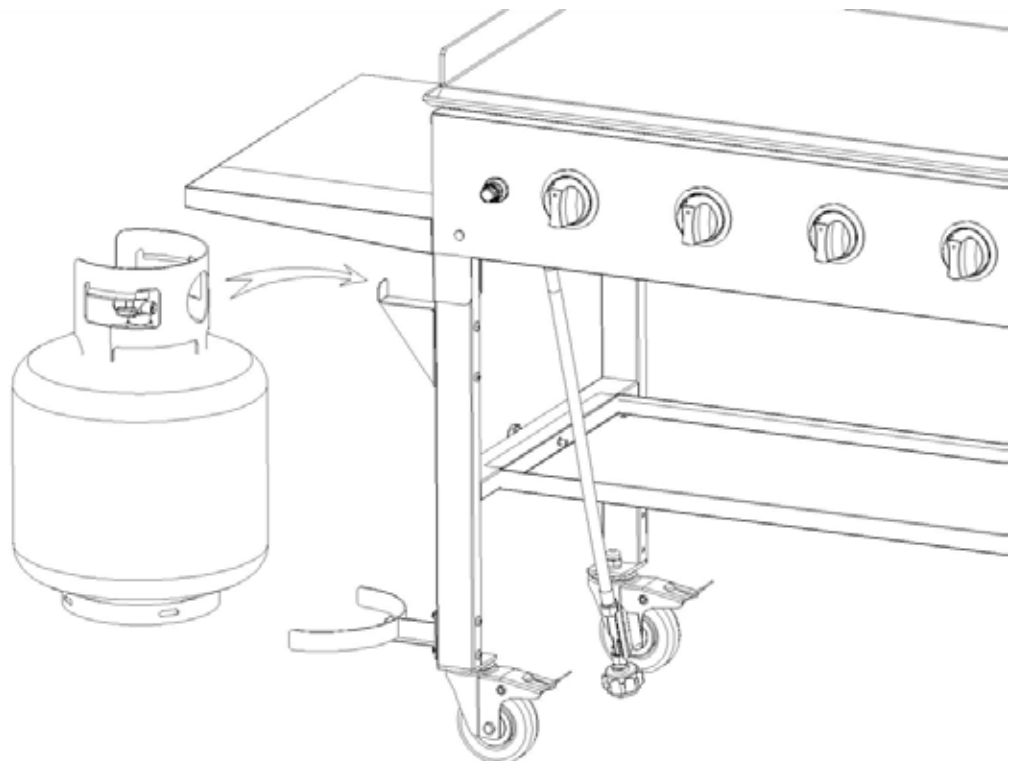
Step 7 :

Install the Cylinder upper hanger and lower fastener. See Below.



Step 8 :

Hang up the Cylinder



CARE AND MAINTENANCE

Regularly clean your grill between uses and especially after extended periods of storage. Ensure that the grill and its components are sufficiently cool before cleaning.

- Never handle hot parts with unprotected hands.
- In order to extend and maintain the life and condition of your grill, we strongly recommend that the unit be covered when left outside for any length of time, especially during the winter months.

Burner maintenance:

In most circumstances, burning off the residue after cooking will keep the burner clean. The burner should be removed and cleaned annually or whenever heavy build-up is found in order to ensure that there is no blockage (debris, insects) in either the burner portholes or venture tubes. Use pipe cleaner to clear obstructions. A wire brush can be used to remove corrosion from the burner surfaces. When refitting the burner, be careful to check that the venture tubes of the burner fit over the valve outlets.

Fittings and Storage:

Annual checking and tightening of metal fittings is recommended. Store the grill in a cool dry place. Cover the burners with aluminum foil in order to prevent insects or other debris from collecting in the burner holes. If the grill is to be stored indoors, the gas bottle must be disconnected and left outside. The gas bottle should always be stored outside, out of reach of children, and in a dry, well-ventilated area away from any sources of heat or ignition.

TROUBLE SHOOTING

PROBLEM	POSSIBLE CAUSE	SOLUTION
Burner will not light using the ignition system.	<ol style="list-style-type: none"> 1. Check battery. 2. LP gas cylinder is empty. 3. Faulty regulator. 4. Obstructions in the burner. 5. Obstructions in gas jets or gas hose. 6. Electrode wire is loose or disconnected on electrode or ignition unit. 7. Electrode or wire is damaged/faulty pushbutton igniter. 	<ol style="list-style-type: none"> 1. Replace with a good battery. 2. Replace with full cylinder. 3. Have the regulator checked or replaced. 4. Clean burner. 5. Clean jets and gas hose. 6. Reconnect wire. 7. Change electrode and wire change igniter.
Burner will not light with a match.	<ol style="list-style-type: none"> 1. LG gas cylinder is empty. 2. Faulty Regulator. 3. Obstructions in burner. 4. Obstructions in gas jets or gas hose. 	<ol style="list-style-type: none"> 1. Replace with full cylinder. 2. Have the regulator checked or replaced. 3. Clean Burner. 4. Clean jets and gas hose.
Fire in burner tube has a low flame or flashback (a hissing or roaring noise may be heard)	<ol style="list-style-type: none"> 1. LP gas cylinder is empty. 2. Obstructions in burner. 3. Obstructions in gas jets or gas hose. 4. Windy conditions. 	<ol style="list-style-type: none"> 1. Use larger cylinder. 2. Clean burner. 3. Clean jets and gas hose. 4. Use grill in a more sheltered position.

North Atlantic Imports LLC

90-Day Warranty

North Atlantic Imports, the manufacturer of **Blackstone 36" Griddle Cooking Station (Model #1554)**, will warranty for 90 days from purchase all parts, workmanship, and finishes. It will be the manufacturer's option as to whether to repair or replace any of the above items. All warranties are limited to the original purchaser only. This warranty does not cover any liability on the part of North Atlantic Imports, its agents or employees, for any indirect or consequential damages for breach of warranty. The purchaser must follow the manufacturer's usage instructions. Under no circumstances is the manufacturer responsible for damages from the failure to operate the cooking station properly. It is the responsibility of the purchaser to establish the warranty period by verifying the original purchase date with original sales receipt.

For more detailed explanation of the warranty, read below:

North Atlantic Imports LLC warrants to the owner that the product covered by this agreement is free from defects in material and workmanship under normal use and service for which it was intended if, but only if, it has been operated in accordance with North Atlantic Imports LLC instructions exclusively for domestic use, and not for private or public club, institutional or commercial purposes. North Atlantic Imports LLC's obligation under this warranty is limited to replacing or repairing, free of charge, any part or parts that may prove, to the satisfaction in North Atlantic Imports LLC, to be defective under normal home use and service within the following stated periods of time from the date of purchase; a) for ninety (90) days from purchase, all parts, finish, and workmanship. Should any failure to conform to this warranty become apparent during applicable warranty periods stated above, the original purchaser must notify North Atlantic Imports LLC of breach or warranty within the applicable warranty period. North Atlantic Imports LLC shall upon notice and compliance by the original purchaser with such instructions, correct such nonconformity by repair or replacement of the defective part or parts. Correction in the manner provided above shall constitute a fulfillment of all obligations of North Atlantic Imports LLC with respect to the quality if the product.

North Atlantic Imports LLC does not warrant this equipment to meet the requirement of any safety code of any state, municipality or other jurisdiction, and the original purchaser assumes all risk and liability whatsoever resulting from the use thereof, whether used in accordance with North Atlantic Imports LLC instructions or otherwise. This warranty does not cover and is intended to exclude any liability on the part of North Atlantic its agents, servants or employees whether under this warranty or implied by law for any indirect or consequential damages for breach on any warranty. The purchaser must establish all applicable warranty periods pursuant to this warranty by verifying the original purchase date by producing the dated sales receipt. This warranty shall not apply to this product or any other part thereof which has been subject to accident, negligence, alteration, abuse, or misuse or which as been repaired or altered without North Atlantic written consent, outside of North Atlantic Imports LLC factory. North Atlantic Imports LLC makes no warranty whatsoever in respect to accessories or parts not supplied with it. This warranty shall apply only within the boundaries of the United States of America. This warranty gives the original purchaser specific rights, and the original purchaser may also have other rights, which vary from state to state.

GRIDDLE CARE & SEASONING GUIDE

Griddle Care & Seasoning

Follow these simple cleaning and seasoning steps for optimal performance and long life of your Blackstone Griddle. We strongly recommend that the unit be covered when left outside for any length of time, especially during the winter months.

WHAT IS SEASONING?

Seasoning is the preparation of steel or cast iron cookware for use. There are two reasons for seasoning:

- To coat the cookware to prevent rust
- To create a natural, permanent non-stick cooking surface

Seasoning is an easy, but very important first step when using the Blackstone Griddle. Unlike synthetically coated griddles, steel and cast iron can be seasoned repeatedly, constantly restoring the cooking surface. When you season your griddle, you are preventing rust and providing the cookware with a natural, permanent non-stick surface.

Remember: Seasoning is an ongoing process that takes time and repeated use before a griddle or pan develops a shiny, black surface like your grandmother's cast iron cookware. The more often you cook on and season your griddle, the more non-stick the surface will become.

Cleaning Griddle

FIRST TIME:

Blackstone Griddles are pre-seasoned with cooking oil to prevent rust and damage during shipping. For first time use, wash the griddle in hot, soapy water. **THIS IS THE ONLY TIME YOU SHOULD USE SOAP ON THE GRIDDLE.** Rinse and dry completely with paper towels. Proceed with seasoning instructions.

AFTER EACH USE:

To clean the griddle after each use, scrape gently with a spatula and wipe down the griddle surface with a paper towel. For tough food residue, pour hot water onto the griddle surface and let it boil the residue off. Wipe again with a paper towel and dry completely. ¼ cup of table salt can also be used to buff off stuck on food. Proceed with Seasoning Instructions.

SEASONING INSTRUCTIONS:

- Remove all food debris with spatula or scraper.
- Apply a generous, even coating of cooking oil (olive, vegetable, peanut, etc.) to the griddle surface.
- Use a paper towel to spread the oil evenly across the cooking surface of the griddle.
- Allow griddle to cool down and store in a cool, dry place.

Frequently Asked Questions

Q. What if my griddle starts to rust?

A. If rust appears on the griddle surface, rub it off with steel wool or low grain sandpaper and re-season the surface. Take care to always completely dry your griddle before storing and keep away from rain and sprinklers.

CUSTOMERS IN HUMID OR COASTAL CLIMATES MAY REQUIRE MORE FREQUENT SEASONINGS AND THE USE OF HEAVIER COOKING OILS TO AVOID RUSTING AND CORROSION.

Q. What types of cooking oils can I use to season my griddle?

A. We recommend the following oils for seasoning purposes: olive oil, vegetable oil, canola oil, coconut oil and sesame oil. Lard can also be used to season the griddle top.

Q. Can I use dish detergent to clean my griddle?

A. Grease cutting dish detergents will erase the seasoning on the griddle. For tough spots use table salt and hot water.

Q. Why does my griddle surface look dull and dry instead of shiny and black?

A. Season is a continuous process. Over time and the more often you season your griddle top, the more shiny, black and non-stick it will become.

If you have any further questions or concerns, please feel free to contact our Customer Support directly by calling (435) 252-3030 or visit us at www.blackstoneproducts.com and click the contact us under the Company tab at the top of the page or email us at support@blackstoneproducts.com for assistance.

WE HOPE YOU ENJOY YOUR NEW BLACKSTONE PURCHASE. Now go “Get your GRIDDLE on!”

We are here to help you!

For questions regarding your BLACKSTONE Patio Oven, or if in need of replacement parts, you may contact us at:

For USA Support Call: 435.252.3030 | For Canada Support Call: 801.656.2041

or send an email to:

support@blackstoneproducts.com

We're pleased to help you with any questions concerning replacement parts or your warranty. Our customer service staff can be reached Monday through Friday from 9:00 am to 5:00 pm Mountain Standard Time. If all operators are busy or you reach us after hours, you may leave a message and your call will promptly be returned.

BLACKSTONE®

MODÈLE #1554

Manuel D'Utilisation **36" Griddle** **Station de cuisine**



**1-AA la pile pour l'allumeur
(vendue séparément)**



VIDEO : MODE D'EMPLOI D'INSTALLATION



Regardez l'actuelle installation d'une plaque de cuisson Blackstone. Utilisez le code app et scannez-le au-dessus. Vous serez directement renvoyé sur le manuel d'instruction de la plaque Blackstone.

www.blackstoneproducts.com/36griddle

USAGE EN PLEIN AIR UNIQUEMENT



Lire ce manuel avant montage et utilisation.
Manuel à conserver.

<p> DANGER</p> <p>En cas d'odeur de gaz :</p> <ol style="list-style-type: none"> 1. Couper l'alimentation de gaz. 2. Eteindre toute flamme. 3. Si l'odeur persiste, se tenir à l'écart de l'appareil et contacter immédiatement le fournisseur de gaz ou les pompiers. 	<p> AVERTISSEMENT</p> <ol style="list-style-type: none"> 4. Ne pas stocker d'essence, autres liquides inflammables ou vapeurs à proximité de cet appareil ou de tout autre appareil. 5. Ne pas conserver de bouteille de gaz non connectée à l'appareil à proximité de celui-ci ou de tout autre appareil.
-------------------------------------------------------------------------------------------------------------------------------------------------------------------------------------------------------------------------------------------------------------------------------------------------------------------------------------------------------------------------------------------------	----------------------------------------------------------------------------------------------------------------------------------------------------------------------------------------------------------------------------------------------------------------------------------------------------------------------------------------------------------------------------------------------------------------------------

AVERTISSEMENT :

Avant de commencer, lire et comprendre la section « Informations importantes » de ce manuel.

Le non respect des instructions peut provoquer un feu ou une explosion.

L'utilisateur est responsable de l'assemblage, l'installation et l'entretien du Gril BLACKSTONE suivant les instructions de ce manuel.



Le non respect des instructions peut entraîner des blessures corporelles et/ou dommages matériels.

REFLEXE DE SECURITE EN CAS D'ODEUR DE GAZ :

1. Couper l'alimentation à la bouteille de gaz.
2. Eteindre toute flamme ; ne pas utiliser d'appareil électrique à proximité.
3. Ventiler la zone.
4. Rechercher de potentielles fuites en suivant les instructions du manuel.



PRECAUTIONS :

1. Vérifier l'étanchéité des connexions après chaque recharge de bouteille de gaz.
2. Ne jamais rechercher une fuite à l'aide d'une allumette ou autre flamme.
3. Ne pas stocker d'essence, autres liquides inflammables ou vapeurs à proximité de cet appareil ou de tout autre appareil.
4. Ne pas conserver de bouteille de gaz non connectée à l'appareil à proximité de celui-ci ou de tout autre appareil.
5. Ne pas stocker de bouteille de gaz sous, à côté de l'appareil ou dans un espace clos.
6. Ne jamais remplir la bouteille au delà de 80% de sa capacité max.
7. Le non respect d'un des deux points précédent peut provoquer un feu entraînant des blessures graves ou la mort.
8. Ne pas utiliser le Gril BLACKSTONE à moins de 36 pouces de murs, plafonds ou autres constructions pouvant prendre feu. Ne jamais utiliser en intérieur.
9. Ne pas utiliser sous des surfaces combustibles.
10. Cet appareil utilise un régulateur ZHENDAR T3. En cas de défaillance, le faire remplacer, par le même model, par un professionnel agréé.

 **DANGER** 

En cas d'odeur de gaz :

1. Couper l'alimentation de gaz.
2. Eteindre toute flamme.
3. Si l'odeur persiste, se tenir à l'écart de l'appareil et contacter immédiatement le fournisseur de gaz ou les pompiers

 **AVERTISSEMENT** 

1. Ne pas stocker d'essence, autres liquides inflammables ou vapeurs à proximité de cet appareil ou de tout autre appareil.
2. Ne pas conserver de bouteille de gaz non connectée à l'appareil à proximité de celui-ci ou de tout autre appareil.

Besoin d'aide ou d'informations, appeler le centre d'information BLACKSTONE.

Des pièces manquantes ? Des questions au sujet de l'assemblage ? Problèmes d'utilisation ? Avant de rapporter le BLACKSTONE Tailgater Combo appelez le : USA (435) 252-3030 | Canada (801) 656-2041 ou email : support@blackstoneproducts.com

Numéro du modèle _____

Numéro de série _____

Date d'achat _____

Installateur : Laisser ces instructions à l'acheteur.
 Acheteur : Conserver ces instructions pour futur références.

 **ATTENTION** 

Certaines pièces peuvent être coupantes ou pointues, porter des gants de protection si nécessaire

 **ATTENTION** 



Conçu pour une utilisation privée, en plein air et non commerciale

Précautions d'installation



- Utiliser le gril, tel qu'acheté, uniquement avec du gaz propane liquide et l'ensemble régulateur/valve fourni. L'installation du gril doit être conforme aux codes locaux, ou en l'absence de tels codes, soit au National Fuel Gas Code, ANSI Z223.1/ NFPA 54, Natural Gas and Propane Installation Code, CSA B149.1, ou au Code sur le stockage et la manipulation du propane B149.2, ou à la norme Standard for Recreational Vehicles, ANSI A 119.2/NFPA 1192, et au Code pour les Véhicules de camping CSA Z240 VC Série, selon situation.
- Ce gril n'est pas conçu pour une utilisation à bord d'un bateau ou de tout autre véhicule.
- Ce gril est homologué pour une utilisation aux Etats Unis ou au Canada seulement. Ne pas tenter de le modifier pour une utilisation dans un autre pays. Toute modification pourrait entraîner des risques de sécurité.

Symboles de sécurité



Ci-dessous sont montrés les symboles utilisés dans ce manuel et leur signification. Bien lire et suivre les instructions de chaque symbole.

 **DANGER** 



DANGER : Indique une situation durant laquelle tout manquement peut entraîner des blessures graves ou la mort.

 **AVERTISSEMENT** 

AVERTISSEMENT : Indique une situation pouvant entraîner des blessures grave si les instructions ne sont pas suivies. Bien lire et suivre les instructions.

 **ATTENTION** 

ATTENTION : Indique une situation pouvant entraîner de faibles blessures.

 **Attention Californie proposition 65** 

ATTENTION : Selon l'état de Californie, ce produit contient des agents chimiques pouvant causer le cancer, des anomalies congénitales et autres problèmes liés à la reproduction. (L'état de Californie demande à ce que les consommateurs de Californie reçoivent ce message.) Pour plus d'informations visitez : www.watts.com/prop65

TABLE DES MATIERES

Sécurité.....	26-27
Utilisation et entretien.....	27-35
Schéma des pièces détachées.....	36
Pièces de quincaillerie.....	37
Assemblage.....	38-42
Entretien et maintenance.....	43
Garantie limitée.....	44
Entretien et conditionnement	45-46
Service consommateur.....	47
Commande de pièces de rechange.....	47
Contact.....	47



DANGER



- Ne pas stocker de bouteille de gaz sous, à côté de l'appareil ou dans un espace clos.
- Ne jamais remplir la bouteille au delà de 80% de sa capacité max.
- Le non respect d'un des deux points précédent peut provoquer un feu entraînant blessures graves ou la mort.
- Une bouteille trop remplie est susceptible de fuir à travers la soupape de sécurité et représente donc un danger. Cette fuite peut provoquer un feu entraînant des destructions, blessures graves ou la mort.
- Si vous voyez, sentez ou entendez une fuite de gaz, restez à distance et appelez les pompiers.

Déconnexion, transport et rangement de la bouteille.

- Tourner la valve et molette de control sur OFF. Tourner le robinet de serrage, à la main, dans le sens inverse des aiguilles d'une montre. Ne pas utiliser d'outils. Retirer le fil de maintien du col de protection de la bouteille en le tirant vers le haut. Retirer ensuite la bouteille et installer le cache de sécurité sur la valve. Toujours utiliser le cache et la sangle fournis.

L'absence de cache de sécurité peut entraîner des destructions et blessures importantes.

- Avant de transporter ou stocker une bouteille de gaz, s'assurer que le cache de sécurité est bien en place. (Comme montré ci-dessus.) Ne pas stocker la bouteille dans un espace clos, parking, garage, porche, patio couvert ou autre bâtiment. Ne jamais laisser une bouteille dans un véhicule au soleil.
- Conserver à l'écart des enfants.

Bouteille de gaz liquide

La bouteille de gaz du barbecue doit être conforme aux réglementations suivantes :

- La bouteille doit être conçue en accord avec le U.S Department of Transportation (DOT) ou pour le Canada, CAN/CSA-B339, bouteille de 20 lbs. (Dimension : largeur 12.3 pouces, hauteur 18 pouces). Sphères et tubes de transport pour matières dangereuses. Transport Canada (TC). Voir informations sur le col de protection de la bouteille.

La valve de la bouteille doit avoir :

- Une sortie de type 1 compatible avec un régulateur ou un barbecue.
- Une soupape de sécurité.
- Un Overfill Protection Device (OPD). Ce système de protection se caractérise par un robinet triangulaire, présent uniquement sur les bouteilles de gaz utilisant ce type de valve.
- La bouteille doit être disposée afin de permettre l'évacuation de vapeurs et être dotée d'un col de protection autour de la valve. Toujours maintenir la bouteille en position verticale vers le haut pendant l'utilisation, le transport et le stockage



Robinet



Bouteille en position verticale vers le haut afin de permettre l'évacuation de vapeurs..

Gaz Propane Liquide

- Le gaz propane liquide n'est pas toxique, inodore et incolore à la production.
- Par mesure de sécurité une odeur est artificiellement ajoutée afin de sentir les fuites. (Odeur de chou pourri).
- Le gaz liquide est extrêmement inflammable et peut prendre feu en contact avec l'air.

Remplissage de la bouteille


- Ne contacter que des professionnels agréés.
- Le revendeur doit nécessairement purger la bouteille avant de la remplir.
- Le revendeur ne doit JAMAIS remplir la bouteille à plus de 80% de sa capacité max. Le volume du propane dans la bouteille peut varier en fonction de la température.
- Un régulateur givré est le signe d'une bouteille trop remplie. Fermer la valve de la bouteille immédiatement et faire appel à l'assistance du revendeur.
- Répandre du gaz dans l'atmosphère est une pratique dangereuse et donc à proscrire.
- En cas de trop plein, faire appel à un revendeur agréé ou aux pompiers afin de retirer du gaz de la bouteille. Rechercher « Gaz liquide » dans l'annuaire pour trouver le revendeur agréé le plus proche.

Echange de bouteille de gaz

- De nombreux revendeurs proposent de remplacer une bouteille vide par une nouvelle bouteille au lieu de la remplir. Ne faire appel qu'à des entreprises réputées. S'assurer que les bouteilles ont été inspectées, remplies avec précision, testées et certifiées. N'échanger la bouteille qu'avec une bouteille équipée d'un robinet triangulaire de protection (OPD) décrit dans la section « Bouteille de gaz liquide » de ce manuel.
- Toujours conserver la nouvelle bouteille en position verticale et vers le haut pendant le transport, stockage et l'utilisation.
- Contrôler la présence de fuites avant de connecter la nouvelle bouteille au barbecue.
- Remplacer le cache de sécurité sur la valve de la bouteille après usage. N'utiliser que le cache fournis avec la valve de la bouteille. L'utilisation d'un autre type de cache peut entraîner des fuites de propane.

Test de recherche de fuite pour la bouteille

- Contrôler la présence de fuite à chaque changement ou recharge de la bouteille.
- Ne pas fumer pendant le test.
- Ne pas utiliser de flamme pour rechercher une fuite de gaz.
- La recherche de fuite doit être effectuée en plein air, dans une zone bien ventilée, loin de toute source d'étincelle ou d'appareil électrique ou thermique. Conserver le gril loin de toute flamme ou étincelle pendant le test.
- Utiliser un pinceau et une solution d'eau savonneuse (50/50). Appliquer la solution sur les parties indiquées par des flèches dans le schéma ci-dessous. Des bulles grossissantes signalent une fuite.



AVERTISSEMENT



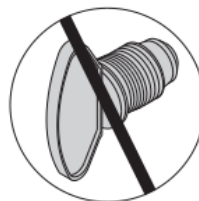
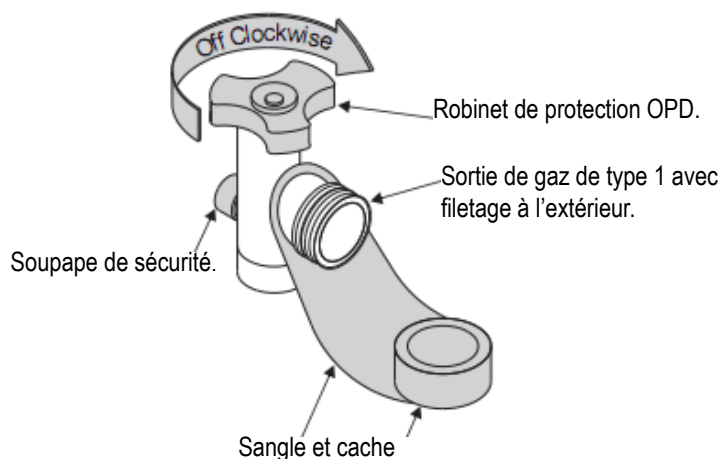
Si des bulles grossissantes apparaissent, ne pas bouger la bouteille de gaz. Contacter le revendeur de gaz ou les pompiers !

Ne pas utiliser d'agents de nettoyage domestiques. Cela pourrait endommager la valve, le tuyau ou le régulateur.



Connecter le régulateur à la valve de la bouteille

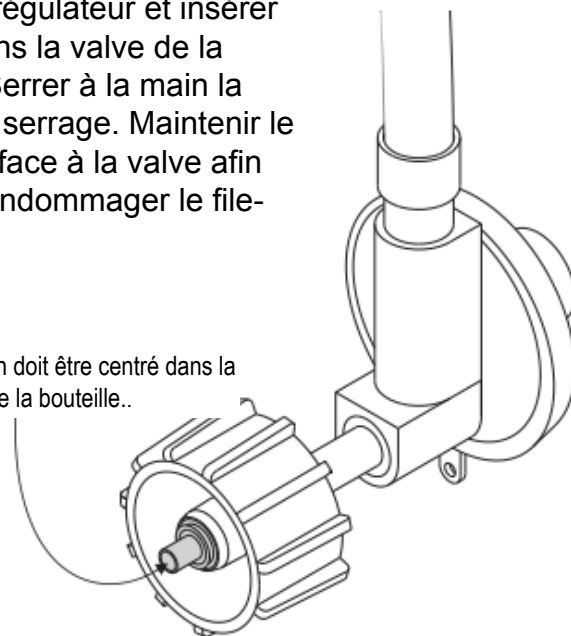
1. La bouteille doit être correctement fixée sur le gril. (Voir la section « Assemblage ».)
2. Tourner tous les boutons de contrôle sur OFF.
3. Fermer la bouteille de gaz en tournant le robinet de protection triangulaire (OPD) dans le sens des aiguilles d'une montre.
4. Retirer le cache de protection de la valve de la bouteille. Toujours utiliser le cache fournis avec la valve.

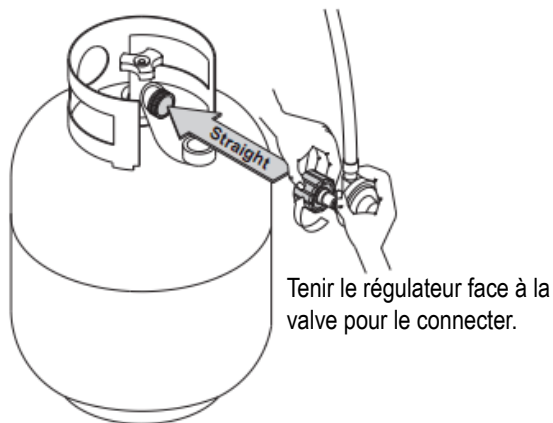


Ne pas insérer de prise POL en plastique dans la sortie de type 1 de la bouteille. Cela désactive la soupape de sécurité.

5. Tenir le régulateur et insérer le téton dans la valve de la bouteille. Serrer à la main la molette de serrage. Maintenir le régulateur face à la valve afin d'éviter d'endommager le filetage.

Le téton doit être centré dans la valve de la bouteille..





6. Serrer la molette de serrage jusqu'au bout. Le régulateur vient pousser le clapet anti retour de la valve provoquant une certaine résistance. **Tourner la molette un demi/trois quart de tour afin de finaliser la connexion. Ne serrer qu'à la main, ne pas utiliser d'outil.**

NOTE:

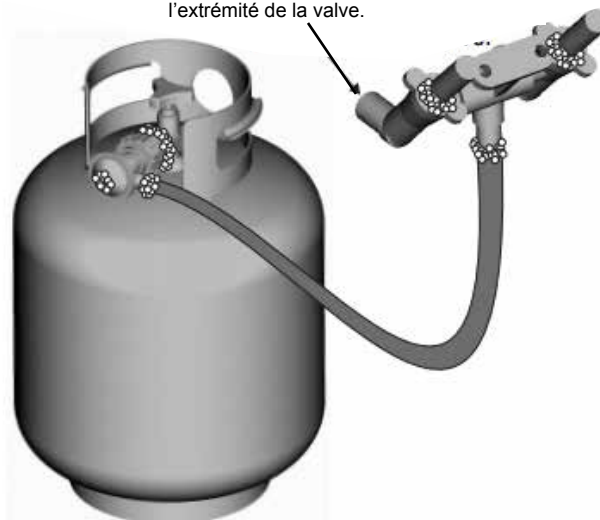
Si la connexion est impossible, retirer le régulateur et répéter les étapes 5 et 6. Si la connexion est toujours impossible, ne pas utiliser ce régulateur.

Appeler le 1.801.656.2041 pour obtenir une nouvelle pièce.

Test de recherche de fuite pour la valve, le tuyau et le régulateur

1. Tourner tous les boutons de contrôle sur OFF.
2. S'assurer que le régulateur est fermement connecté à la bouteille.
3. Ouvrir le robinet de protection triangulaire (OPD) entièrement en le tournant dans le sens inverse des aiguilles d'une montre. La présence d'un sifflement persistant est le signe d'une fuite majeure dans le système. Fermer le gaz immédiatement. Appeler le numéro suivant pour obtenir des pièces de remplacement : 1.801.656.2041.
4. Appliquer une solution savonneuse sur les éléments indiqués par les flèches dans le schéma ci-dessus.

Ne retirez jamais l'orifice fileté à l'extrémité de la valve.



	DANGER	
<ul style="list-style-type: none"> Ne pas insérer d'outil ou objet dans la valve ou la soupape de sécurité. Celles-ci pourraient être endommagées et causer des fuites. Une fuite de propane peut causer une explosion, un feu, des blessures graves ou la mort. En cas de fuite, arrêter toute opération et appeler les pompiers. Si une fuite est incontrôlable, fermer la valve de la bouteille et contacter le revendeur ou les pompiers. 		

	AVERTISSEMENT	
<p>Ne jamais tenter de relier le barbecue à un système de gaz de mobile home ou caravane.</p> <ul style="list-style-type: none"> Ne pas utiliser avant d'avoir contrôlé l'absence de fuite. 		

5. Des bulles grossissantes sont le signe d'une fuite. Fermer la valve de la bouteille immédiatement et resserrer les connexions. Si la fuite ne s'arrête pas, ne pas tenter de la réparer. Contacter le numéro suivant pour obtenir des pièces de remplacement : 1.801.656.2041.
6. Toujours refermer la valve de la bouteille après avoir fini le test de fuite en tournant le robinet dans le sens des aiguilles d'une montre.

Consignes de sécurité

1. Vérifier le serrage de la molette du régulateur avant d'ouvrir la valve de la bouteille.
2. Tourner tous les boutons de contrôle sur OFF et fermer la valve de la bouteille lorsque le gril n'est pas utilisé.
3. Ne jamais déplacer le gril pendant l'utilisation ou si il est encore chaud.
4. Utiliser des ustensiles de cuisson et gants de protections adaptés afin d'éviter tout risque de brûlure et projection.
5. La tablette latérale supporte une charge maximale de 4,54 kg (10 lb).
6. Le récipient à graisse doit être inséré dans le gril et vidé après chaque utilisation. Attendre que le gril soit complètement refroidi avant de retirer le récipient à graisse.
7. Nettoyer le gril fréquemment, de préférence après chaque utilisation. Si une brosse métallique est utilisée pour nettoyer les surfaces de cuisson, s'assurer que celles-ci sont exemptes de particules de métal avant d'utiliser l'appareil.
8. En cas de chute de graisse ou autre matière chaude sur la valve, le tuyau ou le régulateur, fermer l'arrivée de gaz. Identifier la cause et y remédier avant de poursuivre. Nettoyer les parties affectées, s'assurer qu'elles n'ont pas été endommagées. Effectuer un test de fuite avant de reprendre la cuisson.
9. Garder les ouïes de ventilations propres et exemptes de débris.
10. Il se peut que le régulateur émette un léger sifflement pendant l'utilisation. Cela n'affecte en rien la sécurité ou l'utilisation.
11. En cas de problème, consulter la section « Résolution des problèmes ».
12. En cas de givre sur le régulateur, fermer la valve de la bouteille. C'est le signe d'un problème avec la bouteille, ne pas l'utiliser et la rapporter.



ATTENTION



- N'utilisez pas d'eau pour éteindre un incendie de graisse. Cela pourrait entraîner des blessures. Si un incendie de graisse se développe, fermez les boutons de commande et la bonbonne de GPL (tournez-les sur OFF).
- Ne laissez pas le gril sans surveillance lorsque vous le préchauffez ou que vous brûlez des résidus d'aliments sur HI. Si le gril n'a pas été nettoyé régulièrement, un incendie de graisse pourrait se produire et endommager le produit.

Allumage du gril à l'aide de l'allumeur Ne pas se pencher au-dessus du gril pendant l'allumage.

1. S'assurer que la pile est correctement installée pour que l'interrupteur d'allumage puisse fonctionner.



2. Mettre les boutons de commande de brûleur à gaz sur « OFF ».



3. Tourner le gaz sur « ON » à la bouteille gaz.



4. Pour allumer, pousser le bouton IGNITION BURNER et le tourner sur MAX
5. Appuyer sur le bouton d'allumage électronique (ELECTRONIC IGNITION) et le maintenir enfoncé jusqu'à ce que le brûleur d'allumage (IGNITION BURNER) s'allume.



6. Si l'allumage NE se produit PAS dans les 5 secondes qui suivent, tourner les boutons de commande de brûleur sur OFF, attendre 5 minutes et répéter l'opération d'allumage.
7. Pour allumer les autres brûleurs, tourner le bouton de chacun des brûleurs en séquence, en commençant par le brûleur le plus près du brûleur d'allumage (IGNITION BURNER).
8. Une fois que tous les brûleurs sont allumés, tourner les boutons au réglage voulu. Si l'allumeur ne fonctionne pas, suivez les instructions d'allumage à l'aide d'une allumette.



	AVERTISSEMENT	
Fermer les boutons et l'arrivée de gaz lorsque l'appareil est hors service.		
	ATTENTION	
Si l'allumage ne se fait pas dans les 5 secondes, tourner les boutons de contrôle sur OFF, attendre 5 minutes et recommencer la procédure d'allumage. Si le bruleur n'est pas allumé et que la valve est ouverte, le gaz continue de s'échapper et peut s'allumer spontanément, provoquant des blessures.		

Allumage à l'aide d'une allumette

Ne pas se pencher au-dessus du grill pendant l'allumage.

1. Placer l'allumette sur le reposoir (suspendu sur le panneau latéral de la grille). Allumer l'allumette puis allumer le bruleur en plaçant l'allumette sur le côté droit ou gauche de la grille.
2. Appuyer et tourner simultanément le bouton de contrôle correspondant au côté où se situe l'allumette. S'assurer que le bruleur s'allume et reste allumé.
3. Allumez les brûleurs adjacents en séquence en poussant sur les boutons et en les tournant sur la position HI.

Vérification des brûleurs

- Après avoir allumé le bruleur, tourner le bouton vers « low ». La flamme devrait réduire et être plus faible que sur « high ». Vérifier la flamme sur le bruleur latéral. Toujours vérifier les flammes avant utilisation. En cas de flamme faible sur toutes les positions, voir le point « diminution soudaine ou flamme faible » dans la section « Résolution des problèmes ».

Eteindre le grill

- Tourner les boutons de contrôle en position OFF. Fermer la valve de la bouteille en tournant le robinet dans le sens des aiguilles d'une montre.

Vérification de l'allumeur

- Fermer l'arrivée de gaz à la bouteille. Appuyer et maintenir le bouton d'allumage. Un « clique » doit être entendu accompagné d'une étincelle entre les électrodes et les bruleurs. Voir section « Résolution des problèmes » si absence de « clique » ou d'étincelle.

Vérification des valves

- S'assurer que l'arrivée de gaz de la bouteille est fermée avant de vérifier les valves des boutons de contrôle. Les boutons doivent être en position OFF.

Pousser les boutons puis les relâcher. Ils devraient rebondir en position initiale rapidement. Si les boutons ne rebondissent pas, changer les valves avant d'utiliser le grill à nouveau. Tourner les boutons en position « low » puis à nouveau en position OFF. Ils devraient tourner facilement.

Vérification du tuyau

- Vérifier et nettoyer le tuyau avant chaque utilisation. En cas d'usure, abrasion, coupure ou fuite, le tuyau doit être remplacé avant la prochaine utilisation. Remplacer par le même tuyau en suivant les références fournies dans la section « liste des pièces » de ce manuel.

Nettoyage du grill

- Ne pas confondre accumulation de graisse (marron ou noire) et fumée de peinture. L'intérieur des barbecues à gaz ne sont pas peints et ne doivent pas l'être. Utiliser une solution d'eau et de détergeant ou un produit nettoyant pour four avec une brosse pour l'intérieur du et le fond du grill. Rincer et laisser sécher à l'air libre. Ne pas utiliser de produits agressifs pour fours sur les surfaces peintes.
- Pièces en plastique : nettoyer à l'eau chaude savonneuse, sécher à l'aide d'un chiffon propre et sec. Ne pas utiliser de Citrisol, nettoyants abrasifs, dégraissants ou nettoyants pour fours sur les surfaces en plastique. Cela peut les endommager et les détruire.
- Surfaces peintes : nettoyer à l'aide d'un détergeant non abrasif ou à l'eau chaude savonneuse. Sécher à l'aide d'un chiffon doux, propre et sec.
- Surfaces en acier inox : Afin de conserver l'aspect extérieur du grill, nettoyer à l'aide d'un détergeant non abrasif ou à l'eau chaude savonneuse après chaque usage. Sécher à l'aide d'un chiffon doux, propre et sec.
- Il peut être nécessaire d'utiliser une spatule en plastique pour retirer les dépôts de graisse cuits. Utiliser en mouvement parallèle à la finition brossée afin d'éviter de la détériorer. Ne pas utiliser de matériau abrasif sur les surfaces avec des motifs.
- Nettoyer la pierre de cuisson à l'aide du brosse et sans savon car celui-ci permet la pierre. Il est possible d'utiliser de l'eau chaude.
- Si une brosse métallique est utilisée pour nettoyer les surfaces de cuisson, s'assurer que celles-ci sont exemptes de particules de métal avant utilisation.

Ranger grill

- Nettoyez les grilles de cuisson.
- Entrez le grill dans un endroit sec.
- Si la bouteille de gaz reste connectée, stocker en plein air dans un endroit bien ventilé et hors de portée des enfants.
- Couvrir le grill si celui-ci est stocké dehors. Blackstone propose de nombreux modèles de couvertures pour le grill.
- Ne stocker le grill à l'intérieur qu'après avoir fermé la bouteille de gaz puis retiré celle-ci. La bouteille doit être conservée à l'extérieur.
- Après une période de stockage, suivre les instructions de « nettoyage des brûleurs » avant de commencer à utiliser le barbecue.

Nettoyage des brûleur

Suivre ces instructions pour nettoyer/remplacer les brûleurs ou en cas de difficultés à l'allumage du grill.

1. Fermer l'arrivée de gaz depuis les boutons de contrôle et la bouteille.
2. Retirer le capot. (Pièce n°10 sur la liste).
3. Retirer le bouclier anti chaleur, le couvercle en aluminium, la pierre et le panneau rotatif.
4. Détacher les électrodes du brûleur. Cette procédure dépend de la configuration du brûleur.
5. Soulever délicatement le brûleur vers le haut et le retirer de la sortie de la valve. Voici trois méthodes de nettoyage, utilisez la plus simple et la plus adaptée pour vous. (A) Plier un fil de fer (un cintre par exemple) en forme de crochet. Glisser le crochet à travers le tube plusieurs fois. (B) Utiliser un goupillon fin avec manche flexible. (Ne pas utiliser de brosse en cuivre). Glisser la brosse dans le tube plusieurs fois. (C) Porter des lunettes de protection : utiliser de l'air comprimé pour nettoyer les sorties du brûleur. S'assurer que l'air circule dans toutes les sorties.
6. Brosser toute la surface du brûleur afin de retirer saleté et résidus de nourriture.
7. Dégager les sorties bloquées à l'aide d'un fil de fer (un trombone par exemple).
8. Vérifier l'état général du brûleur. Au fil du temps, des trous de corrosion peuvent apparaître. Si ils deviennent trop importants, il est temps de changer le brûleur.
IMPORTANT: Les tubes du brûleur doivent être connectés avec les ouvertures des valves
9. Connecter l'électrode au brûleur.
10. Replacer les brûleurs.
11. Attacher les brûleurs aux crochets sur le bac.
12. Repositionner les tubes et les attacher aux brûleurs.

Sécurité alimentaire

La sécurité alimentaire est un aspect important de la cuisine à l'extérieur. Ces quelques conseils permettront de conserver une nourriture saine et sans bactéries néfastes.

Nettoyer: Se laver les mains ainsi que les ustensiles de cuisine à l'eau chaude savonneuse avant et après avoir manipulé de la viande et volaille crue.

Séparer : Garder la viande crue à l'écart du reste de la nourriture afin d'éviter toute contamination. Utiliser des ustensiles et assiettes propres après avoir cuit la nourriture.

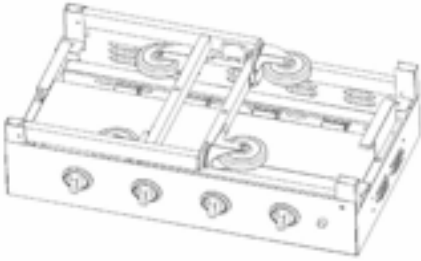

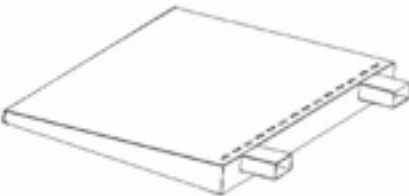
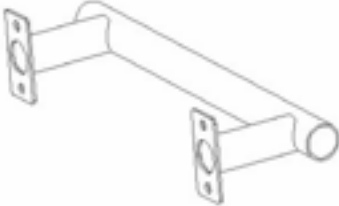

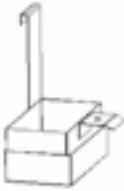




Cuir : Bien cuire les viandes et volailles afin de tuer les bactéries nocives. Contrôler la température de la viande à l'aide d'un thermomètre.

Réfrigérer : Réfrigérer la nourriture et les restes rapidement. Pour plus d'information visiter le site Canadien partenaire pour la sécurité alimentaire : www.befood-safe.ca.

La viande est-elle cuite correctement ?

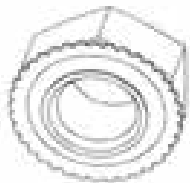
- La surface des viandes et volailles grille et change rapidement de couleur. Un thermomètre permet de s'assurer que la viande a atteint une température interne de cuisson adéquate. Découper la viande permet d'établir une vérification visuelle.
- Un poulet entier doit atteindre une température interne de 165°F/74°C. Le jus doit couler rapidement et la chair ne pas être rose.
- Les hamburgers à base de volaille ou de viande hachée doivent atteindre 160°F/71°C, être foncé à cœur sans jus rose. Les steaks de veau, agneau et bœuf doivent atteindre une température de 160°F/71°C. Toutes les parties du porc doivent également atteindre 160°F/71°C.
- NE JAMAIS cuire la viande partiellement pour reprendre la cuisson plus tard. Cuire la viande entièrement pour détruire les bactéries nocives.
- Réchauffer de la nourriture à emporter ou de la viande précuite comme des hot dogs à une température de 165°F/64°C ou jusqu'à ce que la nourriture commence à fumer.

SCHEMA DES PIECES DETACHEES

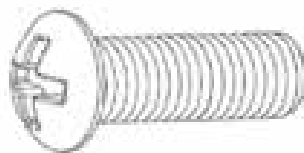
<p>1. Element principal.....1 pièce (avec bouton de contrôle)</p> 	<p>2. Plateau inférieur.....1 pièce</p> 
<p>3. Tablette latérale..... 2 pièces</p> 	<p>4. Poignée latérale..... 2 pièces</p> 
<p>5. Plateau supérieur..... 1 pièce</p> 	<p>6. Collecteur d'huile..... 1 pièce</p> 
<p>7. Crochet..... 1 pièce</p> 	<p>8. Vis de fixation - petites..... 4 pièces</p> 
<p>9. Vis de fixation - grandes..... 2 pièces</p> 	<p>10. Fixation..... 1 pièce</p> 

PIÈCES DE QUINCAILLERIE ILLUSTRÉES

1. ÉCROU M6 8 pièces



2. Vis M6x12 8 pièces



AVERTISSEMENT : Cet appareil a été conçu avec le souci d'éliminer tout bord pointu ou tranchant. Cependant il convient de manipuler les pièces avec précaution afin de prévenir les risques de blessures. Outil nécessaire : le seul outil requis pour le montage du capot et des poignés de l'élément principal, est un tournevis cruciforme (Philips).

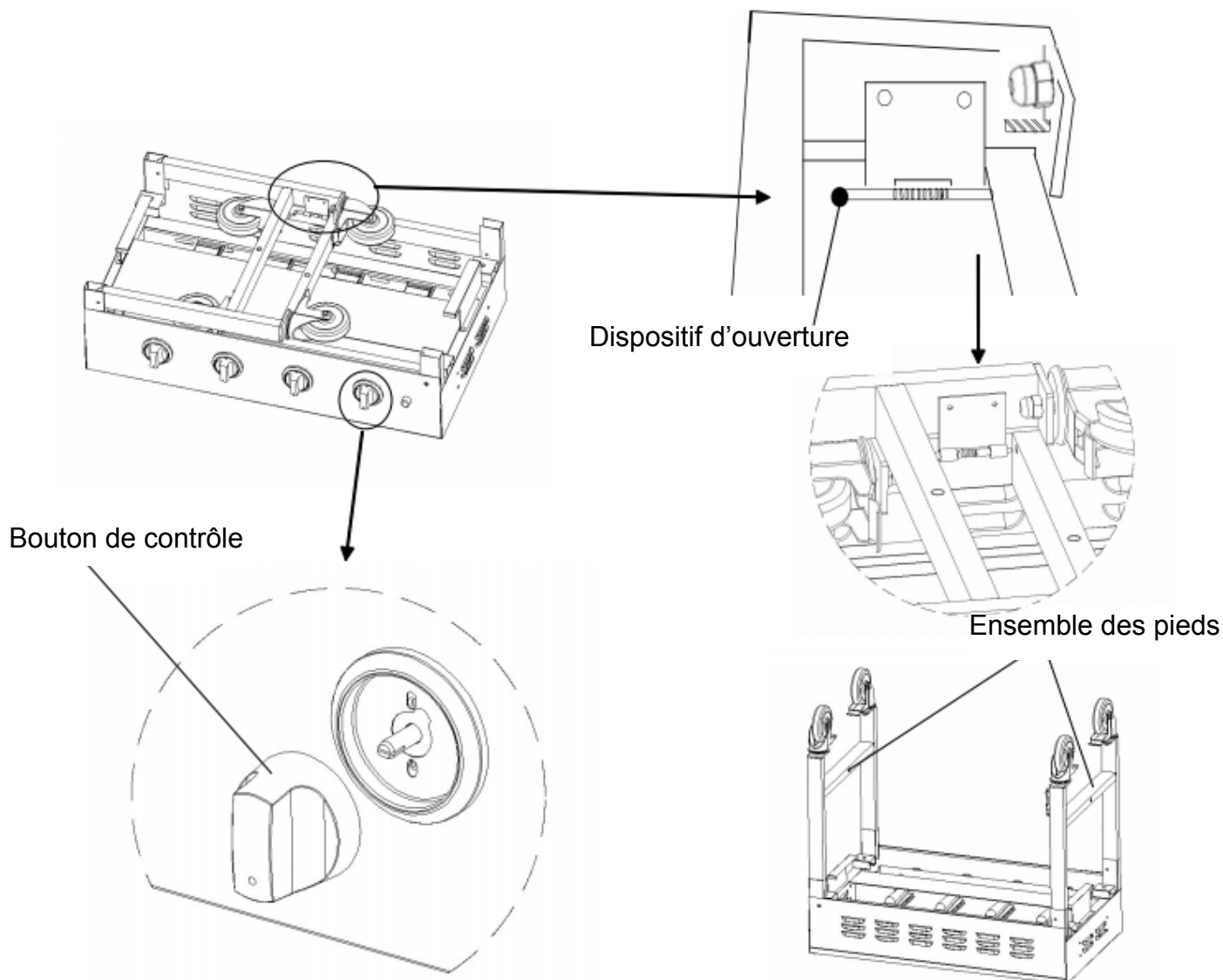
ASSEMBLAGE :

Bien lire les instructions en entier avant de procéder à l'assemblage. Travailler sur une grande surface propre. Se référer à la liste des pièces et les schémas autant de fois que nécessaire. Le gril comporte des pièces volumineuses, il est donc conseillé d'être deux afin de faciliter le montage.

A NOTER : *Retirer toutes les protections plastique avant de commencer.*

Etape 1 :

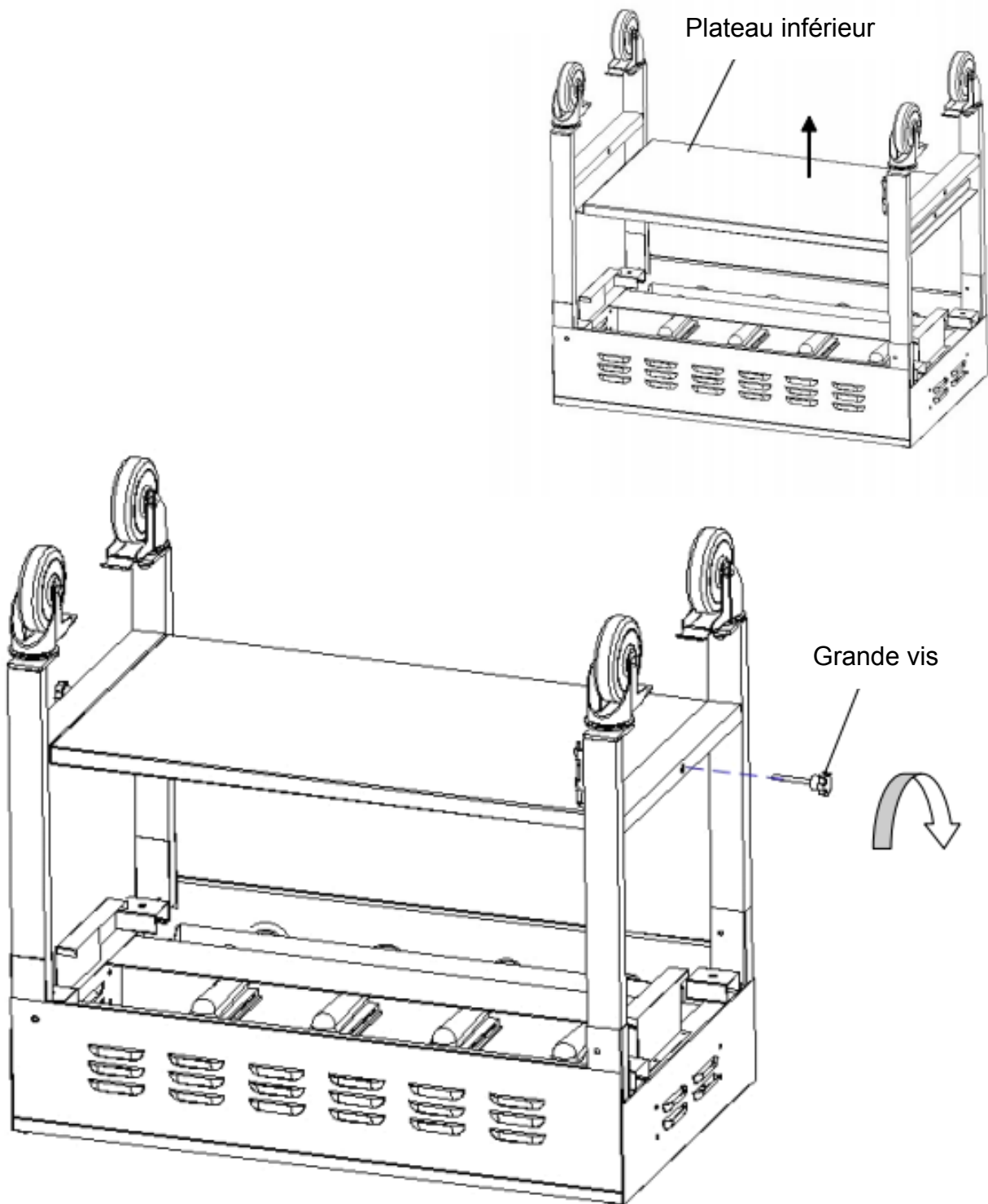
Ouvrir l'ensemble des pieds. Voir ci-dessous.



Etape 2 :

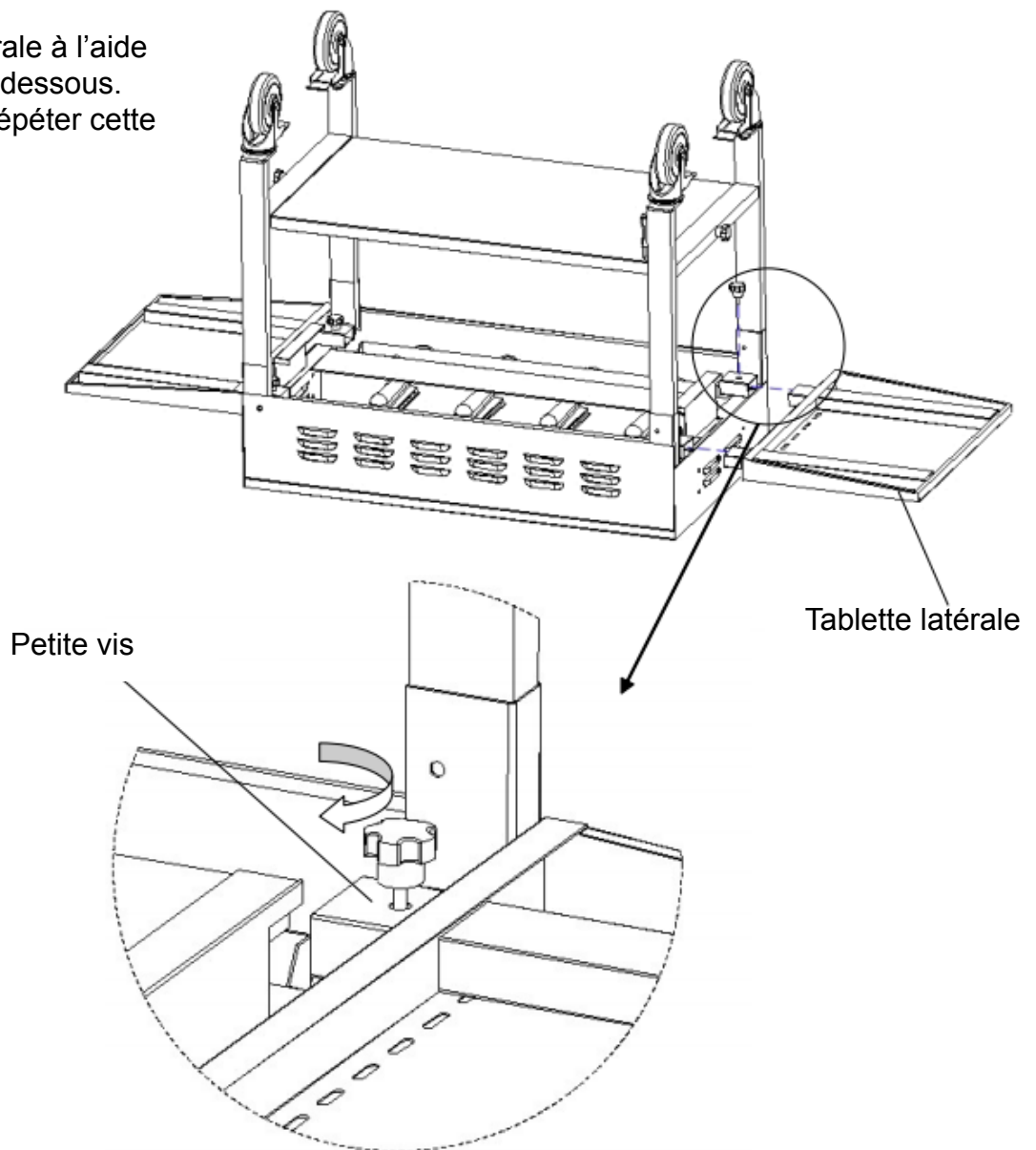
Installer le plateau inférieur à l'aide d'une grande vis. Voir ci-dessous.

Serrer ensuite la vis. Répéter cette étape de l'autre côté.



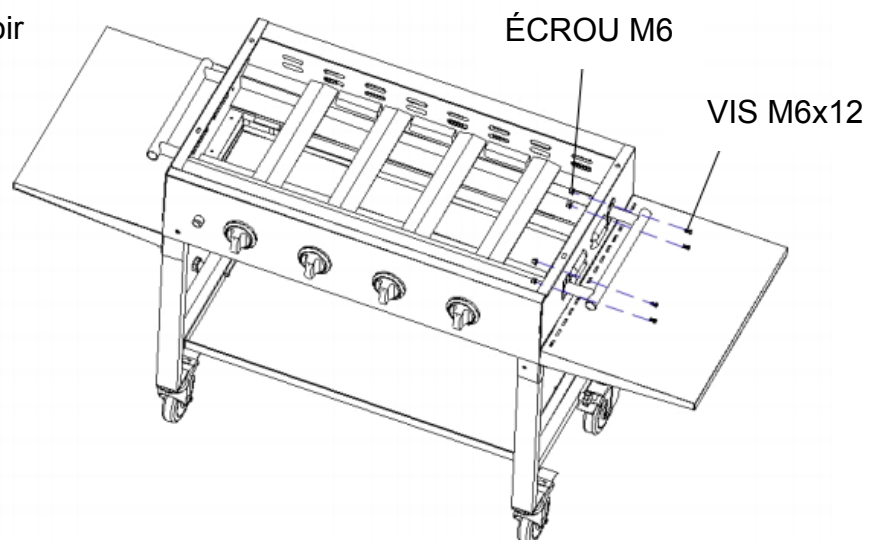
Etape 3 :

Installer la tablette latérale à l'aide d'une petite vis. Voir ci-dessous.
Serrer ensuite la vis. Répéter cette étape de l'autre côté.



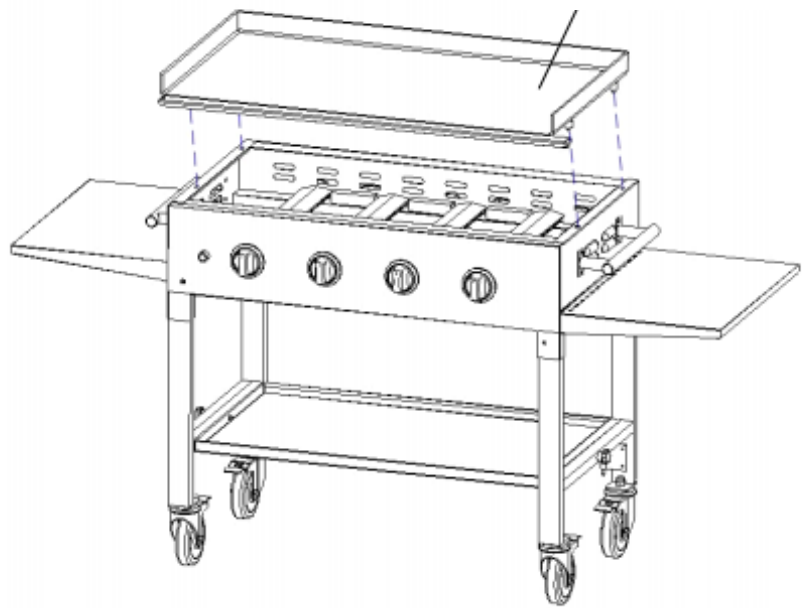
Etape 4 :

Installer la poignée latérale à l'aide des vis M6x12 et des écrous M6. Voir ci-dessous.
Serrer ensuite les vis. Répéter cette étape de l'autre côté.



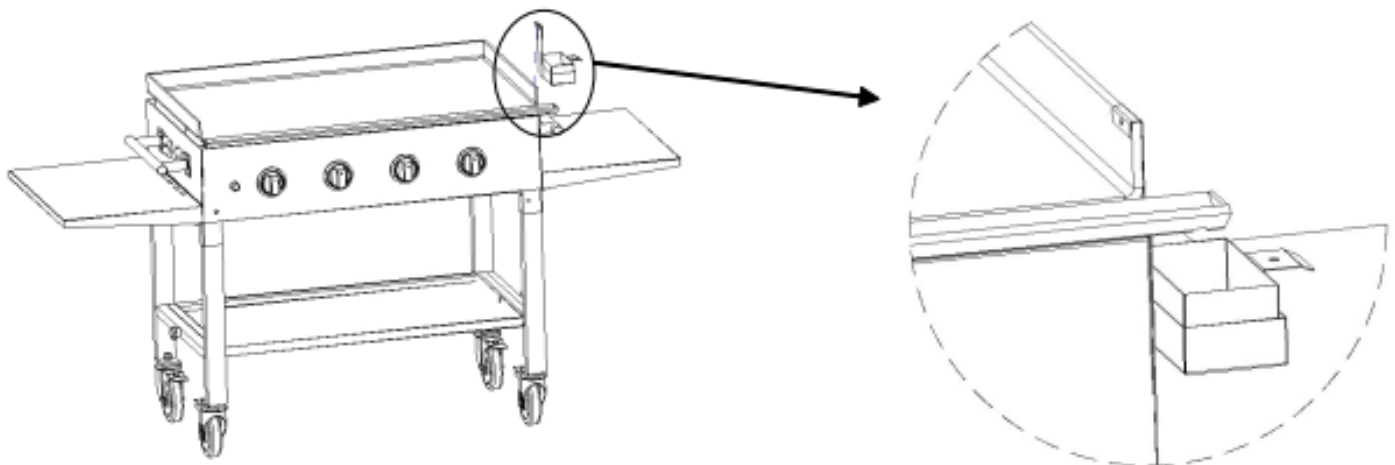
Etape 5 : Installer la plaque supérieure. Voir ci-dessous.

Plaque supérieure



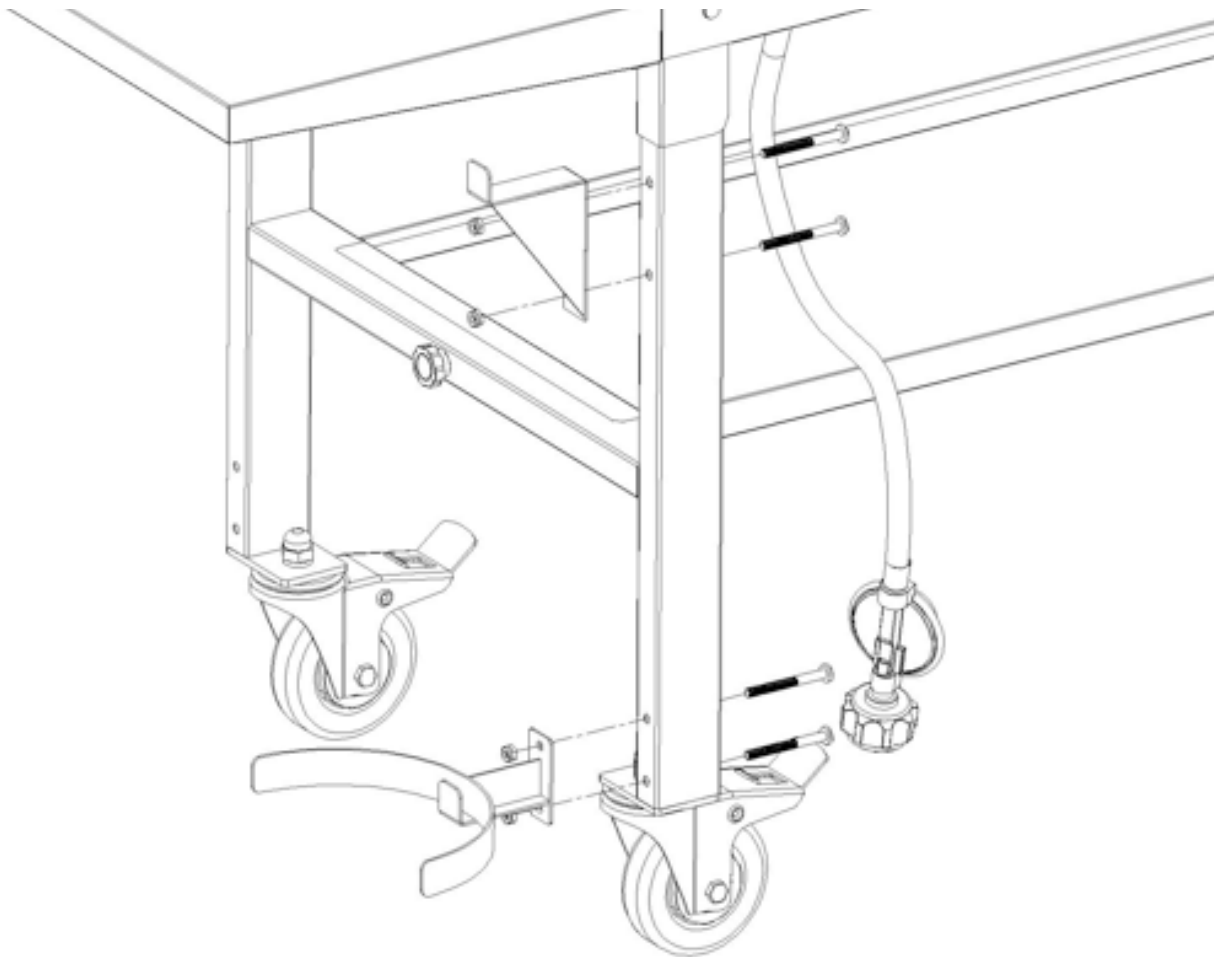
Etape 6 :

Installer le collecteur d'huile. Accrocher le collecteur d'huile à la plaque supérieure. Voir ci-dessous.



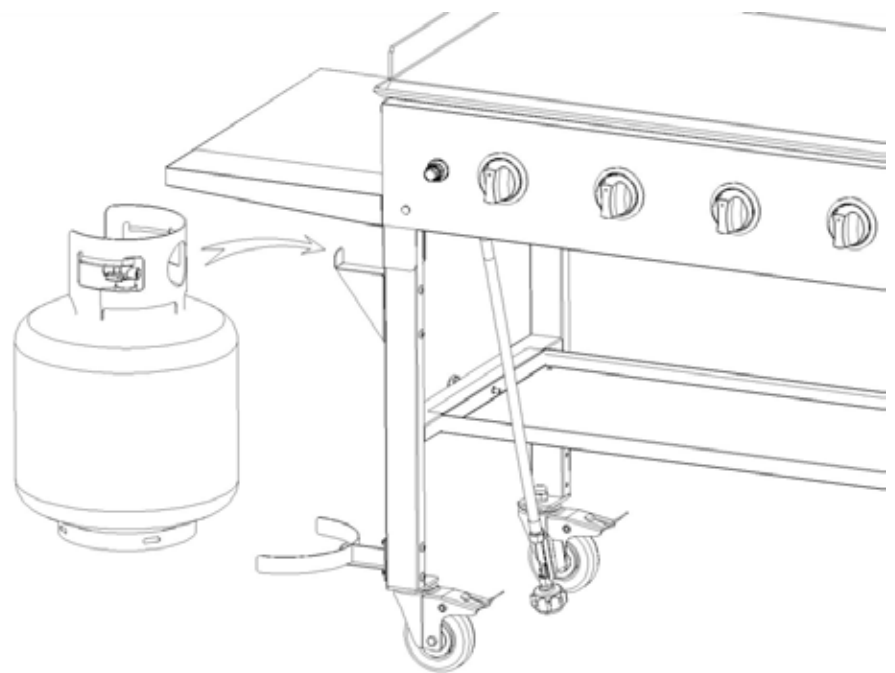
Etape 7 :

Installer le crochet et la fixation pour la bouteille. Voir ci-dessous.



Etape 8 :

Accrocher la bouteille



ENTRETIEN ET MAINTENANCE

Nettoyer le gril régulièrement, entre chaque utilisation ou après une période d'inutilisation prolongée.

Attendre que les différentes parties aient refroidi avant de les nettoyer.

- Ne jamais toucher les parties chaudes sans protection adaptée.
- En cas de stockage à l'extérieur, il est fortement recommandé de couvrir l'appareil, spécialement pendant les mois d'hiver. La durée de vie de l'appareil en dépend.

Entretien des bruleurs :

En général, brûler les résidus après la cuisson permet de garder les bruleurs propres. Ces derniers doivent être nettoyés une fois par an ou si des résidus se sont accumulés (insectes, saleté). Les bruleurs (sorties et ventilations) ne doivent pas être obstrués. Une brosse métallique peut être utilisée pour enlever la corrosion sur la surface des bruleurs. Bien s'assurer que les valves des bruleurs soient bien reconnectées avec les arrivées de gaz lors de leur remise en place..

Serrage et remisage :

Il est recommandé de vérifier le serrage des différentes parties de l'appareil une fois par an. Stocker le gril dans un endroit frais et sec. Couvrir les bruleurs de papier d'aluminium afin d'empêcher accumulations d'insectes et de résidus. En cas de stockage à l'intérieur, retirer la bouteille de gaz et conserver celle-ci à l'extérieur. La bouteille de gaz doit toujours être conservée à l'extérieur, hors de portée des enfants, dans un endroit frais, sec, à l'abri de sources de chaleur et d'étincelles.

RESOLUTION DES PROBLEMES

PROBLEME	CAUSE POSSIBLE	SOLUTION
Le bruleur ne s'allume pas à l'aide de l'allumeur.	<ol style="list-style-type: none">1. Pile hors d'usage.2. La bouteille de gaz est vide.3. Régulateur défectueux.4. Bruleur bouché.5. Arrivée de gaz bouchée. (Tuyau ou connexions aux bruleurs)..6. Electrode lâche ou déconnectée.7. L'électrode ou le circuit d'allumage sont endommagés ou défectueux.	<ol style="list-style-type: none">1. Remplacer la pile.2. Remplacer la bouteille.3. Faire vérifier ou remplacer le régulateur.4. Nettoyer le bruleur.5. Clean jets and gas hose.6. Nettoyer le tuyau et les connexions avec le bruleur.7. Changer l'électrode et le circuit d'allumage.
Le bruleur ne s'allume pas à l'aide d'une allumette.	<ol style="list-style-type: none">1. La bouteille de gaz est vide.2. Le régulateur est défectueux.3. Le bruleur est bouché.4. L'arrivée de gaz est bouchée. (Tuyau ou connexions aux bruleurs).	<ol style="list-style-type: none">1. Remplacer la bouteille de gaz.2. Faire vérifier ou remplacer le régulateur.3. Nettoyer le bruleur.4. Nettoyer le tuyau et les connexions avec le bruleur.
L'intensité de la flamme est faible ou s'éteint. (Un sifflement ou ronflement peut être entendu.)	<ol style="list-style-type: none">1. La bouteille de gaz est vide.2. Le bruleur est bouché.3. L'arrivée de gaz est bouchée. (Tuyau ou connexions aux bruleurs).4. Trop de vent.	<ol style="list-style-type: none">1. Utiliser une bouteille de gaz plus grosse.2. Nettoyer le bruleur.3. Nettoyer le tuyau et les connexions avec le bruleur.4. Utiliser le barbecue dans un endroit plus abrité.

North Atlantic Imports LLC

Garantie 90 jours

North Atlantic Imports LLC garantie les pièces, main d'œuvre et finitions (contre la rouille) pendant un an à partir de la date d'achat.

Le constructeur se réserve le droit de remplacer ou réparer les pièces en cas de prise en charge.

La garantie est limitée au premier propriétaire uniquement. Cette garantie n'engage pas la responsabilité de North Atlantic Imports LLC, ses employés ou agents pour des dommages extérieurs en cas de rupture de garantie.

L'utilisateur est tenu de respecter les instructions du constructeur.

En aucun cas le constructeur ne sera tenu responsable pour des dommages suite à une mauvaise utilisation du BLACKSTONE Griddle.

L'utilisateur est responsable de la durée de la garantie en utilisant la preuve d'achat originale de l'appareil.

Lire la section suivante pour de plus amples informations au sujet de la garantie :

La société North Atlantic Imports LLC garantie cet appareil contre tout défaut d'assemblage, de construction et lié à la main d'œuvre si et seulement si, son utilisation, non commerciale et privée, est effectuée en respectant scrupuleusement les instructions fournies par le constructeur. Cette garantie établit la responsabilité de North Atlantic Imports LLC de réparer ou échanger sans frais pour le consommateur, toute pièce qui, après examen de North Atlantic Imports LLC, serait défectueuse, dans le cadre d'une utilisation personnelle normale et dans la limite de temps suivante : a) 12 mois à compter de la date d'achat pour les pièces, finitions et main d'œuvre. Dans le cas d'un manquement à la durée de garantie ci-dessus, l'acheteur original est tenu de notifier North Atlantic Imports LLC de la rupture de garantie dans la limite du délai de garantie. Après réception de la notification de l'acheteur original, North Atlantic Imports LLC s'engage à rectifier la situation en remplaçant ou en réparant les pièces défectueuses. North Atlantic Imports LLC s'engage à respecter scrupuleusement la procédure énoncée ci-dessus dans un objectif de maintien de la qualité du produit.

North Atlantic Imports LLC ne garantit pas que cet appareil réponde au code de sécurité de quelque état, municipalité ou juridiction. L'utilisateur accepte tout risque et responsabilité liés à l'utilisation, en accord ou pas avec les instructions du constructeur, de l'appareil. Cette garantie ne couvre pas et exclut toute responsabilité de North Atlantic Imports LLC, de ses représentants, employés et agents, mentionnés dans cette garantie ou légalement liés, quant aux dommages résultants d'une rupture de la garantie. L'acheteur doit se tenir informé de la durée de garantie grâce à la date d'achat figurant sur la preuve d'achat (ticket de caisse). Cette garantie ne s'applique pas au produit, ou à toute pièce du produit en cas d'accident résultant de négligence, altération, abus, mauvaise utilisation ou transformation de l'appareil ou d'une de ses pièces, dans le cas d'une réparation sans l'accord préalable de North Atlantic Imports LLC ou en dehors de l'usine North Atlantic Imports LLC. La garantie ne couvre en aucun cas les accessoires non fournis avec l'appareil. Cette garantie s'applique dans la limite du territoire des Etats Unis d'Amérique. Cette garantie octroi certains droits à l'utilisateur, d'autres droits peuvent exister en fonction des états

UN GUIDE D'ENTRETIEN ET D'ASSAISONNEMENT

Suivez ces simples étapes de propreté et assaisonnement pour obtenir des résultats les plus optimaux et une longévité inégalable de votre plaque Blackstone. Nous vous recommandons fortement que le produit soit recouvert quand il se trouve dehors pendant une certaine période de temps, en particulier pendant l'hiver ?

QU'EST CE QUE L'ASSAISONNEMENT?

L'assaisonnement est la préparation des outils de cuisine en acier et en fer. Il existe deux raisons pour cette logique :

- Enduire les outils de cuisine pour éviter la rouille
- Créer une surface de cuisine naturelle qui ne colle jamais

L'assaisonnement est une étape facile mais absolument nécessaire lorsque le plaque Blackstone est utilisée. Contraire aux plaques enduites synthétiquement, l'acier et le fer peuvent être traités à plusieurs reprises, restaurant continuellement la surface de cuisine. Quand vous assaisonnez votre plaque, vous sauvez les outils de cuisine de la rouille et leur offre une surface naturelle qui ne colle jamais.

Nettoyer la Plaque

La Première Fois:

Les Plaques Blackstone sont déjà enduites avec de l'huile pour éviter la rouille ainsi que d'éventuelles détériorations pendant l'envoi du colis. Pour les premiers utilisateurs, lavez la plaque au savon dans de l'eau chaude. **CE SERA LA SEULE FOIS QUE VOUS DEVREZ UTILISER DU SAVON SUR LA PLAQUE.** Rincez et séchez entièrement la plaque avec du sopalín. Passez à l'étape suivante.

APRÈS CHAQUE UTILISATION:

Pour nettoyer la plaque après chaque utilisation, raclez doucement avec une spatule et essuyez la surface de la plaque avec du sopalín. Avec les morceaux de nourriture plus difficiles à enlever, versez de l'eau chaude sur la plaque et laissez les bouillir. Essuyez une fois de plus avec du sopalín et séchez. Vous pouvez également verser 75 grammes de sel sur les morceaux collés sur la plaque. Passez à l'étape suivante.

COMMENT ASSAISONNER:

- Enlevez tous les morceaux de nourriture avec la spatule ou le grattoir.
- Passez une couche généreuse d'huile (l'huile d'olive, l'huile végétale, l'huile d'arachide, etc.) sur la surface de la plaque.
- Utilisez du sopalín pour étaler l'huile de façon uniforme sur toute la surface de la plaque.
- Laissez la plaque refroidir et rangez-la dans un endroit froid et sec.

Questions Fréquentes:

Q. Que dois-je faire si ma plaque commence à rouiller?

A. Si de la rouille apparaît sur la plaque, nettoyez-la avec de la paille de fer ou du papier de verre (fin grains) et assaisonnez une fois de plus la surface. Assurez-vous de toujours sécher complètement votre plaque avant de la ranger dans un endroit sec.

LES CLIENTS QUI SE TROUVENT SOUS DES CONDITIONS DE CLIMAT HUMIDE OU TEMPÉRÉ PEUVENT AVOIR À NETTOYER LEUR PLAQUE PLUS FRÉQUEMMENT ET UTILISER DES HUILES DE CUISINE PLUS LOURDES POUR ÉVITER LA ROUILLE ET LA CORROSION.

Q. Quel genre d'huile puis-je utiliser pour assaisonner ma plaque?

A. Dans le but de l'assaisonnement, nous recommandons les huiles suivantes : l'huile d'olive, l'huile végétale, l'huile de canola, l'huile de noix de coco, l'huile de sésame. Du lard peut également être utilisé comme enduit sur la surface de la plaque.

Q. Puis-je laver ma plaque avec du détergent à vaisselle?

A. Le détergent à vaisselle pour graisses épaisses effacera l'enduit sur la plaque. Pour les taches dures à nettoyer, utilisez du sel ou de l'eau chaude.

Q. Pourquoi la surface de ma plaque ne brille plus et n'est plus noire ?

A. L'assaisonnement est continu. Après un certain temps et après que le rituel ait été répété maintes fois, la surface de votre plaque deviendra de plus en plus brillante, noire et lisse.

Si vous avez plus de questions, veuillez contacter notre service clientèle directement en appelant le (435) 252-3030 ou visitez-nous sur le site www.blackstoneproducts.com et accédez la section contactez-nous ou envoyez-nous un e-mail à support@blackstoneproducts.com.

NOUS ESPÉRONS QUE VOUS AIMEREZ VOTRE NOUVEL ACHAT BLACKSTONE. Et maintenant « Allumez votre plaque ! »

Notre équipe est là pour vous aider

En cas de questions au sujet de votre BLACKSTONE 36" Griddle ou en cas de besoin de pièces de rechange, vous pouvez nous contacter au :

Pour les Etats Unis : 435.252.3030 | Pour le Canada : 801.656.2041

Ou par email :

support@blackstoneproducts.com

C'est un plaisir de répondre à vos questions concernant les pièces de rechange ou votre garantie. Notre équipe après vente est accessible du lundi au vendredi de 8 heures à 17 heures (UTC/GMT -7). Si tous les opérateurs sont occupés ou en dehors des heures d'opération, vous pouvez laisser un message et nous vous recontacterons.

BLACKSTONE®

MODELO #1554

Manual Del Usuario

Estación De Cocina a La Parrilla Blackstone 36"



Requiere una pila de 1-AA para el encendedor (No se incluye)





VIDEO DE ENSAMBLAJE

Observe un video de ensamblaje de una parrilla BLACKSTONE de 36". Use la Aplicación de código QR y escanee el código QR aquí arriba. Usted será llevado a la página de recursos para la Parrilla de 36". www.blackstoneproducts.com/36griddle
Solamente en inglés.

SOLAMENTE PARA USO EN EXTERIORES



Favor de leer el manual cuidadosamente antes de ensamblar. Guarde este manual para referencia futura.

<p> PELIGRO</p> <p>Si siente olor a gas:</p> <ol style="list-style-type: none"> 1. Cierre la entrada de gas al aparato. 2. Apague cualquier llama encendida. 3. Si el olor continúa, manténgase alejado del aparato y llame inmediatamente a su proveedor de gas o al departamento de bomberos. 	<p> ADVERTENCIA</p> <ol style="list-style-type: none"> 1. No almacene ni utilice gasolina u otros líquidos o vapores inflamables cerca de este o cualquier otro aparato. 2. No almacene cilindros de gas LP no conectados para su uso cerca de este o cualquier otro aparato.
-------------------------------------------------------------------------------------------------------------------------------------------------------------------------------------------------------------------------------------------------------------------------------------------------------------------------------------------------------------------------------------------------------------------	----------------------------------------------------------------------------------------------------------------------------------------------------------------------------------------------------------------------------------------------------------------------------------------------------------------------------------------------------------------------------------------

ADVERTENCIA:

Antes de continuar, asegúrese de haber entendido la sección INFORMACIÓN IMPORTANTE de este manual.

Si no sigue las instrucciones puede ocurrir una explosión o un incendio peligroso.



El consumidor es responsable de verificar que la parrilla esté debidamente ensamblada, instalada y conservada. Si no respeta las instrucciones incluidas en este manual pueden ocurrir lesiones corporales y/o daños a la propiedad.

PARA SU SEGURIDAD, SI SIENTE OLOR A GAS:

1. Cierre el suministro de gas en el tanque.
2. Apague todas las llamas encendidas; no use ningún aparato eléctrico.
3. Ventile el área.
4. Revise que no haya fugas de conformidad con las indicaciones de este manual.



PRECAUCIONES:

1. Realice una prueba de fugas de todas las conexiones después de cada recarga del tanque.
2. No busque fugas utilizando un fósforo o una llama encendida.
3. No almacene gasolina u otros vapores o líquidos inflamables cerca de este o cualquier otro aparato.
4. No almacene cilindros de gas LP no conectados para su uso cerca de este o cualquier otro aparato.
5. No almacene un cilindro de gas LP de repuesto debajo o cerca de este aparato.
6. No llene el cilindro por encima del 80% de la capacidad total.
7. Si la información incluida en los dos puntos anteriores no se cumple con exactitud, puede ocurrir un incendio fatal o una lesión grave.
8. No ponga en funcionamiento la parrilla a una distancia menor de 36 pulgadas de cualquier construcción combustible, incluidas las paredes y los techos.
9. No utilice este aparato debajo de superficies combustibles.
10. El regulador utilizado en esta unidad es ZHENDAR T3. Si este regulador falla, únicamente un proveedor autorizado, con licencia profesional, debe reemplazarlo con otro del mismo modelo.

 **PELIGRO** 

Si siente olor a gas:

1. Cierre la entrada de gas al aparato.
2. Apague cualquier llama encendida.
3. Si el olor continúa, manténgase alejado del aparato y llame inmediatamente a su proveedor de gas o al departamento de bomberos.

 **ADVERTENCIA** 

1. No almacene ni utilice gasolina u otros líquidos o vapores inflamables cerca de este o cualquier otro aparato.
2. No almacene cilindros de gas LP no conectados para su uso cerca de este o cualquier otro aparato.



LLame al Centro de Información del Horno para Patio BLACKSTONE para ayuda y refacciones.
 Necesita refacciones? Preguntas sobre ensamblaje? Problemas de Operacion? Antes de regresar el horno para patio a la tienda por favor llame al:
 USA (435) 252-3030 | Canadá (801) 656-2041
 o email: support@blackstoneproducts.com

Número de modelo: _____



Número de serie: _____

Fecha de compra: _____

Para el instalador/ensamblador: Deje estas instrucciones en manos del consumidor.
 Para el consumidor: Conserve este manual para referencia futura

 **PRECAUCIÓN** 

Algunas piezas pueden contener bordes filosos, especialmente las que se indican en estas instrucciones. Utilice guantes de protección si es necesario.

 **PRECAUCIÓN** 

Para uso doméstico únicamente. No debe utilizarse como cocina comercial.

Precauciones de seguridad para la instalación



- Use la parrilla, conforme la adquirió, únicamente con gas LP (propano) y con el ensamblaje del regulador/ válvula provisto.
- La instalación de la parrilla debe cumplir con los códigos locales o, en ausencia de códigos locales, con el Código Nacional del Gas Combustible, ANSI Z223.1/ NFPA 54, el Código de Instalación de Gas Natural y Propano, CSA B149.1, el Código de Manejo y Almacenamiento del Propano, B149.2, o la Norma para Vehículos Recreativos, ANSI A 119.2/NFPA 1192 y el Código para Vehículos Recreativos Serie CSA Z240 RV Series, según corresponda.
- La parrilla no debe utilizarse en vehículos o barcos recreativos.
- Esta parrilla cuenta con un certificado de seguridad para su uso únicamente en los Estados Unidos y en Canadá. No la modifique para su uso en ninguna otra ubicación. Toda modificación generará un peligro a la seguridad.

Símbolos de seguridad



Los símbolos y cuadros que se muestran a continuación explican qué significa cada encabezado. Lea y siga los mensajes que se incluyen en el manual.

 **PELIGRO** 



PELIGRO: Indica una situación inminentemente peligrosa que, si no se evita, provocará la muerte o una lesión grave.

 **ADVERTENCIA** 

ADVERTENCIA: Si no se siguen las instrucciones, esté alerta ante la posibilidad de una lesión corporal grave. Asegúrese de leer y cumplir cuidadosamente todos los mensajes.

 **PRECAUCIÓN** 

PRECAUCIÓN: Indica una situación potencialmente peligrosa que, si no se evita, puede provocar una lesión de menor a moderada.

 **ADVERTENCIA DE LA PROPOSICIÓN 65 DE CALIFORNIA** 

ADVERTENCIA: Este producto contiene sustancias químicas que según el Estado de California causan cáncer y malformaciones congénitas u **otros daños reproductivos.**
 (La ley de California exige dar a conocer esta advertencia a los clientes del Estado de California).

ÍNDICE

PARA SU SEGURIDAD.....	50-51
USO Y CUIDADO.....	51-59
LISTA ILUSTRADA DE PIEZAS	60
ACCESORIOS.....	61
ENSAMBLAJE.....	62-66
CUIDADO Y MANTENIMIENTO.....	67
GARANTÍA.....	68
CUIDADO Y TRATAMIENTO DE LA PARRILLA.....	69-70
ATENCIÓN AL CLIENTE.....	71
CÓMO SOLICITAR REPUESTOS.....	71
INFORMACIÓN DE CONTACTO.....	71



¡PELIGRO!



- NUNCA almacene un cilindro de gas LP de repuesto debajo o cerca del aparato o en un área cerrada.
- Nunca llene un cilindro por encima del 80% de la capacidad total.
- Si no sigue con exactitud la información incluida en los dos puntos anteriores, puede ocurrir un incendio fatal o una lesión grave.
- Un cilindro sobrellenado o mal almacenado constituye un peligro debido a la posible liberación de gas de la válvula de alivio de seguridad. Esto puede provocar un incendio intenso con riesgo de causar daños a la propiedad, lesiones graves e incluso la muerte.
- Si ve, huele o escucha una fuga de gas, aléjese inmediatamente del cilindro de gas LP y del aparato y llame al departamento de bomberos.

Extracción, transporte y almacenamiento del tanque de gas LP

• CIERRE todas las perillas de control y la válvula del tanque de gas LP. Gire la tuerca de acople en sentido antihorario únicamente de forma manual; no utilice herramientas para desconectar. Levante el cable del tanque de gas LP del anillo del tanque, luego levante el tanque de gas LP y sáquelo del soporte. Instale la tapa de seguridad en la válvula del tanque de gas LP. Siempre utilice la tapa y la correa que se suministran con la válvula.

No utilizar la tapa de seguridad como se indica puede ocasionar lesiones personales graves y/o daños a la propiedad.

- Un tanque de gas LP desconectado que se encuentra almacenado o siendo transportado debe tener colocada una tapa de seguridad (como se muestra en la imagen). No almacene un tanque de gas LP en espacios cerrados como una cochera, un garaje, un porche, un patio cubierto u otro edificio. No deje tanques de gas LP dentro de un vehículo que puede recalentarse con el sol.
- No guarde tanques de gas LP en un área donde jueguen niños .

Tanque de gas LP

- El tanque de gas LP utilizado con su parrilla debe cumplir con los siguientes requisitos:
- Los tanques de gas LP deben estar fabricados e identificados de conformidad con las especificaciones para los tanques de gas LP del Departamento de Transporte

de los EE.UU. o para Canadá, con la norma CAN/CSA-B339 sobre tanques, esferas y tubos para el transporte de mercancías peligrosas. Transporte de Canadá (TC). Revise el anillo del tanque de gas LP para ver la identificación.

- La válvula del tanque de gas LP debe tener:
- Una salida tipo 1 compatible con el regulador o la parrilla.
- Una válvula de alivio de seguridad.
- Un dispositivo de prevención contra sobrellenado (OPD) con calificación UL. Esta característica de seguridad del OPD se identifica con una manivela triangular única. Utilice únicamente tanques de gas LP equipados con este tipo de válvula.
- El tanque de gas LP debe estar acondicionado para la eliminación de vapor e incluir un anillo para proteger la válvula del tanque de gas LP. Siempre conserve los tanques de gas LP en posición vertical durante su uso, traslado o almacenamiento.

Tanque de gas LP en posición vertical para la eliminación de vapor

Gas LP (Licuado de Petróleo)

- El gas LP no es tóxico y es inodoro e incoloro cuando se lo produce.
- Para su seguridad, se le ha añadido olor al gas LP (similar al repollo podrido) para que pueda sentirse.
- El gas LP es altamente inflamable y puede encenderse inesperadamente cuando se mezcla con el aire.

Llenado del tanque de gas LP

- Utilice únicamente distribuidores autorizados y experimentados.
- El distribuidor de gas LP debe purgar el tanque nuevo antes de llenarlo.
- El distribuidor NUNCA debe llenar el tanque de gas LP por encima del 80% del volumen del tanque de gas LP. El volumen de propano en el tanque variará según la temperatura.
- Un regulador helado indica que está sobrecargado. Cierre inmediatamente la válvula del tanque de gas LP y llame al distribuidor de gas LP local para recibir ayuda.
- No libere gas de propano líquido (LP) en la atmósfera. Es una práctica peligrosa.
- Para retirar el gas del tanque, comuníquese con un distribuidor de gas LP o llame al departamento de bomberos local para recibir ayuda. Revise el directorio telefónico bajo "Compañías de gas" para ubicar los distribuidores de gas LP certificados más cercanos.



Intercambio del tanque de gas LP

- Muchos vendedores de parrillas ofrecen la opción de reemplazar el tanque de gas LP vacío a través de un servicio de intercambio. Utilice únicamente empresas de intercambio acreditadas que inspeccionan, llenan con precisión, prueban y certifican sus tanques. Intercambie su tanque sólo por un tanque equipado con la característica de seguridad del OPD según se describe en la sección "Tanque de gas LP" de este manual.
- Siempre conserve los tanques de gas LP nuevos e intercambiados en posición vertical durante su uso, traslado o almacenamiento.
- Realice una prueba de fugas en los tanques de gas LP nuevos e intercambiados ANTES de conectarlos a la parrilla.
- Coloque la tapa guardapolvos en la salida de la válvula del cilindro cuando el cilindro no esté en uso. Instale únicamente el tipo de tapa guardapolvos en la salida de la válvula del cilindro provista con la válvula del cilindro. Otros tipos de tapas o tapones pueden provocar fugas de propano.

Prueba de fugas del tanque de gas LP

Para su seguridad

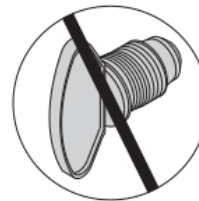
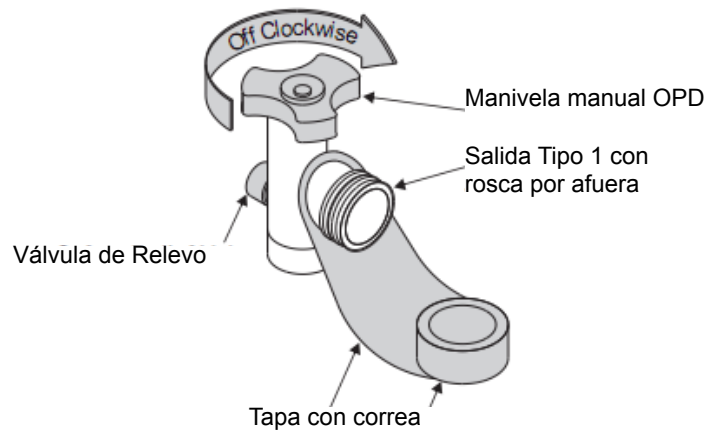
- La prueba de fugas debe repetirse cada vez que se intercambia o se rellena el tanque de gas LP.
- No fume durante la prueba de fugas.
- No utilice una llama encendida para buscar fugas de gas.
- La prueba de fugas de la parrilla debe realizarse en exteriores, en un área bien ventilada, alejada de fuentes de ignición como aparatos de encendido a gas o eléctrico. Durante la prueba de fugas, mantenga la parrilla alejada de las llamas expuestas o chispas.
- Utilice un pincel limpio y una solución de 50/50 de detergente suave y agua. Aplique la solución jabonosa sobre las áreas que indican las flechas de la figura. Las burbujas crecientes son un indicio de que existe una fuga de gas.

	¡ADVERTENCIA!	
Si aparecen burbujas "que crecen", no utilice ni mueva el tanque de gas LP. ¡Comuníquese con un distribuidor de gas LP o con el departamento de bomberos!		

No utilice agentes de limpieza de uso doméstico. Pueden ocasionar daños a los componentes del regulador/válvula/manguera.

Cómo conectar el regulador al tanque de gas LP

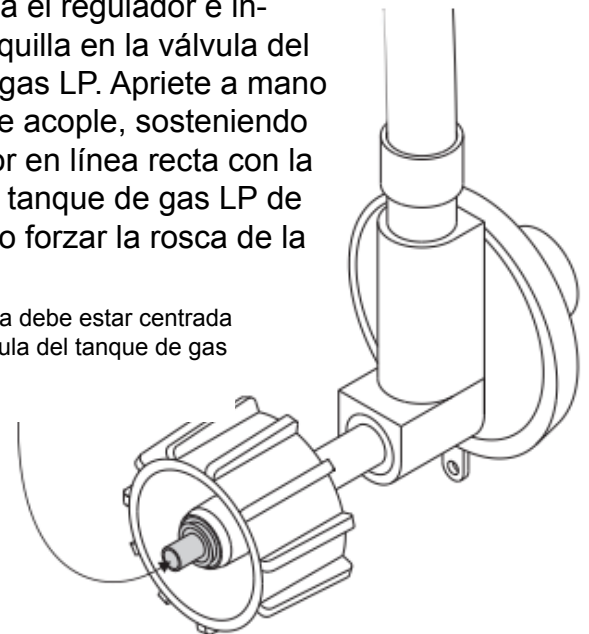
1. El tanque de gas LP debe estar debidamente fijado a la parrilla. (Consulte la sección de ensamblaje).
2. Gire todas las perillas de control a la posición OFF (APAGADO).
3. CIERRE el tanque de gas LP girando la manivela del OPD en sentido horario hasta que se detenga totalmente.
4. Quite la tapa protectora de la válvula del tanque de gas LP. Siempre utilice la tapa y la correa que se suministran con la válvula.

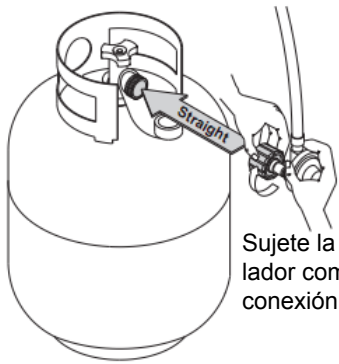


No inserte un tapón de transporte POL (pieza plástica con rosca externa) en la salida tipo 1 de la válvula del tanque. Anulará la función de la válvula de alivio de seguridad.

5. Sostenga el regulador e inserte la boquilla en la válvula del tanque de gas LP. Apriete a mano la tuerca de acople, sosteniendo el regulador en línea recta con la válvula del tanque de gas LP de modo de no forzar la rosca de la conexión.

La boquilla debe estar centrada en la válvula del tanque de gas LP.





Sujete la rosca del conector y el regulador como se muestra para una buena conexión al tanque de LP

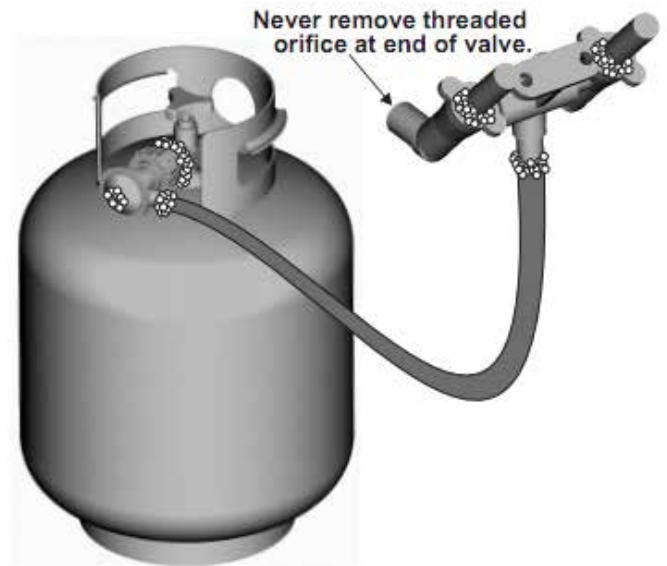
6. Gire la tuerca de acople en sentido horario y apriete hasta que se detenga completamente. El regulador se sellará en la función de revisión de la válvula del tanque de gas LP, ocasionando cierta resistencia. **Para completar la conexión se requiere un giro adicional de mitad o tres cuartos. Apriete a mano únicamente; no utilice herramientas.**

NOTA:

Si no puede completar la conexión, desconecte el regulador y repita los pasos 5 y 6. Si aún no puede completar la conexión, ¡no utilice este regulador!

Prueba de fugas de las válvulas, la manguera y el regulador

1. Gire todas las perillas de control de la parrilla a la posición OFF (APAGADO).
2. Asegúrese de que el regulador esté firmemente conectado al tanque de gas LP.
3. Abra por completo la válvula del tanque de gas LP a través de girar la manivela del OPD en el sentido contrario a las agujas del reloj. Si escucha el sonido semejante a una ráfaga, cierre el gas inmediatamente. Hay una fuga importante en la conexión. Corrija la antes de proceder,



llamando al (435) 252-3030 para solicitar los repuestos.

4. Aplique la solución jabonosa sobre las áreas donde aparecen burbujas en la siguiente imagen: Nunca retire el anillo roscado del extremo de la válvula.
5. Si aparecen burbujas “que crecen”, hay una fuga. Cierre inmediatamente la válvula del tanque de gas LP y vuelva a ajustar las conexiones. Si no puede detener las fugas, no intente repararlas. Llame al (435) 252-3030 para obtener repuestos.
6. Después de realizar una prueba de fugas, siempre cierre la válvula del tanque de gas LP, girando la manivela en sentido horario.

!	¡PELIGRO!	!
<ul style="list-style-type: none"> • No inserte ninguna herramienta ni objeto extraño en la salida de la válvula ni en la válvula de alivio de seguridad. Puede dañar la válvula y provocar una fuga. Una fuga de propano puede ocasionar una explosión, incendio, lesiones personales graves o la muerte. • Si detecta una fuga en cualquier momento, DETÉN-GASE y llame al departamento de bomberos. • Si no puede detener una fuga de gas, cierre inmediatamente la válvula del tanque de gas LP y ¡llame al distribuidor de gas LP o al departamento de bomberos! 		

!	¡ADVERTENCIA!	!
<ul style="list-style-type: none"> • Nunca intente fijar esta parrilla al sistema de gas LP autónomo de un remolque o casa rodante. • No utilice la parrilla hasta realizar la prueba de fugas. 		

Llame al (435) 252-3030 para obtener repuestos idénticos.

Consejos de seguridad

1. Antes de abrir la válvula del cilindro de gas LP, revise que la tuerca de acople esté bien ajustada.
2. Cuando la parrilla no esté en uso, cierre todas las perillas de control y la válvula del cilindro de gas LP.
3. Nunca mueva la parrilla mientras esté en funcionamiento o aún caliente.
4. Utilice utensilios de mango largo para parrilla y guantes para horno a fin de evitar quemaduras o salpicaduras.
5. El máximo sobre el estante lateral es de 10 lbs.
6. La bandeja recolectora de grasa debe insertarse en la parrilla y vaciarse después de cada uso. No retire la bandeja de grasa hasta que la parrilla se haya enfriado completamente.
7. Limpie la parrilla a menudo, preferiblemente después de cada uso. Si utiliza un cepillo de cerdas para limpiar cualquiera de las superficies de cocción de la parrilla, asegúrese de que no queden cerdas sueltas sobre las superficies antes de usarlas.
8. Si observa grasa u otro material caliente goteando desde la parrilla en la válvula, la manguera o el regulador, apague el suministro de gas de inmediato. Determine la causa del goteo, corríjala y luego limpie e inspeccione la válvula, la manguera y el regulador antes de continuar. Realice una prueba de fugas.
9. Las aberturas de ventilación en el compartimento del cilindro (carrito de la parrilla) deben mantenerse sin obstrucciones.
10. El regulador puede hacer un sonido de zumbido o silbido durante el funcionamiento. Esto no afectará la seguridad ni el uso de la parrilla.
11. Si tiene un problema con la parrilla, consulte la sección “Solución de problemas”.
12. Si el regulador se congela, apague la parrilla y la válvula del cilindro de gas LP de inmediato. Esto indica un problema con el cilindro y no debe ser utilizado con ningún producto. ¡Devuélvalo al distribuidor!



¡PRECAUCIÓN!



- No arroje agua sobre un incendio ocasionado por la grasa. Pueden ocurrir lesiones personales. Si se origina un incendio a partir de la grasa, cierre las perillas y el cilindro de gas LP.
- No deje la parrilla desatendida mientras precalienta o quema residuos de comida en "HI". Si no limpia la parrilla regularmente, puede ocurrir un incendio causado por la grasa que puede dañar el producto.

Encendido de la parrilla No se incline sobre la parrilla mientras la enciende.

1. A fin de que el interruptor de encendido funcione, asegúrese de que la batería esté debidamente instalada.



2. CIERRE las válvulas de control del quemador de gas.



3. ABRA el gas en el cilindro de gas LP.



4. Para encender, presione hacia adentro y gire la perilla del QUEMADOR DE ENCENDIDO a la posición MAX.

5. Oprima y mantenga oprimido el botón de ENCENDIDO ELÉCTRICO hasta que el QUEMADOR DE ENCENDIDO se encienda.



6. Si el encendido NO ocurre en 5 segundos, APAGUE los controles del quemador, espere 5 minutos y repita el procedimiento de encendido.

7. Para encender los quemadores restantes, gire cada perilla del quemador en secuencia a la posición, comenzando con el quemador más cercano al QUEMADOR DE ENCENDIDO.



8. Una vez que todos los quemadores se encendieron, gire las perillas hasta la configuración deseada. Si el encendido no funciona, siga las instrucciones para el encendido con fósforos.

	¡ADVERTENCIA!	
Cuando no se encuentren en uso, CIERRE los controles y la fuente de gas o el tanque.		
	¡PRECAUCIÓN!	
Si NO enciende en 5 segundos, APAGUE los controles del quemador, espere 5 minutos y repita el procedimiento de encendido. Si el quemador no se enciende con la válvula abierta, el gas continuará saliendo del quemador y podría encenderse accidentalmente con riesgo de producir lesiones.		

Encendido con fósforos

No se incline sobre la parrilla mientras la enciende.

1. Coloque el fósforo en el portafósforo (que cuelga del panel lateral de la parrilla). Encienda el fósforo, después encienda el quemador colocando el fósforo a la derecha o izquierda de la parrilla.
2. Presione hacia adentro y gire la perilla del quemador de la derecha o de la izquierda hasta la posición HI, dependiendo del orificio de encendido elegido. Asegúrese de que el quemador se encienda y permanezca encendido.
3. Encienda los quemadores adyacentes en secuencia, presionando las perillas y girándolas a la posición HI.

Revisión de la llama del quemador

- Encienda los quemadores, gire las perillas de la posición HIGH (ALTO) a LOW (BAJO). Debe ver una llama más pequeña en la posición LOW (BAJO) que la que vio en HIGH (ALTO). Además, realice una revisión de la llama del quemador en el quemador lateral. Siempre revise la llama antes de cada uso. Si sólo ve una llama baja, consulte “Disminución repentina o llama baja” en la sección de “Solución de problemas”.

Cómo apagar la parrilla

- Gire todas las perillas a la posición OFF (APAGADO). CIERRE el cilindro de gas LP girando la manivela del OPD en sentido horario hasta que se detenga totalmente.

Revisión del encendedor

- Cierre el gas en el cilindro de LP. Presione y mantenga presionado el interruptor de encendido electrónico. Debe escuchar un “clic” y ver una chispa cada vez entre la caja colectora o el quemador y electrodo. Si no escucha el “clic” o no ve la chispa,

consulte la sección “Solución de problemas”.

Revisión de la válvula

- Importante: Antes de revisar las válvulas, asegúrese de que el gas esté cerrado en el cilindro de gas LP. Las perillas se bloquean en la posición OFF (APAGADO). Para revisar las válvulas, primero presione las perillas hacia adentro y suéltelas; las perillas deben regresar hacia atrás por acción del resorte. Si no lo hacen, reemplace el ensamblaje de la válvula antes de utilizar la parrilla. Gire las perillas a la posición LOW (BAJO) y después vuelva a girarlas a la posición OFF (APAGADO). Las válvulas deberían girar suavemente.

Revisión de la manguera

- Antes de cada uso, revise que las mangueras no tienen cortes ni están gastadas. Reemplace las mangueras dañadas antes de utilizar la parrilla. Utilice únicamente repuestos idénticos de la válvula/manguera/regulador según lo especificado en la Lista de Piezas de esta Guía de uso y cuidado.

Limpieza general de la parrilla

- No confunda la acumulación de grasa y humo marrón o negro con la pintura. Los interiores de las parrillas a gas no vienen pintados de fábrica (y nunca deben pintarse). Aplique una solución fuerte de detergente y agua o utilice un limpiador de parrilla con un cepillo de cerdas en las partes internas de la tapa y la parte inferior de la parrilla. Enjuague y deje secar completamente al aire. No aplique limpiador cáustico de parrillas/hornos sobre las superficies pintadas.
- Piezas de plástico: Lávelas con agua tibia y jabón y séquelas con un trapo. No use Citrisol, limpiadores abrasivos, desengrasantes o un limpiador concentrado para parrillas sobre las piezas de plástico. Puede provocar daños y fallas en las piezas.
- Superficies pintadas: Lávelas con detergente neutro o limpiador no abrasivo y agua tibia con jabón. Séquelas con un paño suave no abrasivo.
- Superficies de acero inoxidable: Para conservar la apariencia de buena calidad de su parrilla, después de cada uso lávela con detergente neutro y agua tibia con jabón y séquela con un paño suave.
- Es posible que los depósitos de grasa requieran el uso de una esponja abrasiva de plástico. A fin de evitar daños, úsela únicamente en la dirección del acabado de escobillado. No use la esponja abrasiva sobre áreas con gráficos.
- Superficies de cocción: Si utiliza un cepillo de cerdas para limpiar cualquiera de las superficies de cocción de la parrilla, asegúrese de que no queden cerdas sueltas sobre las superficies antes de usarlas.

Cómo guardar su parrilla

- Limpie las rejillas de cocción.
- Guarde la parrilla en una ubicación seca.
- Si hay un cilindro de gas LP conectado a la parrilla, guárdela al aire libre en un espacio bien ventilado y fuera del alcance de los niños.
- Si guarda la parrilla al aire libre, cúbrala. Elija entre la gran variedad de fundas para parrilla que ofrecen los fabricantes.
- Guarde la parrilla adentro ÚNICAMENTE si el cilindro de gas LP está cerrado y desconectado, separado de la parrilla y guardado al aire libre.
- Cuando mueva la parrilla del lugar donde la guarda, antes de comenzar a utilizarla siga las instrucciones que se incluyen en la sección "Limpieza del ensamblaje del quemador".

Limpieza del ensamblaje del quemador

Siga estas instrucciones para limpiar y/o reemplazar las piezas del ensamblaje del quemador o si tiene problemas para encender la parrilla.

1. CIERRE el gas en las perillas de control y en el cilindro de gas LP.
2. Quite las rejillas de cocción y los difusores de calor.
3. Quite los tubos de arrastre y los quemadores.
4. Remueva el electrodo del quemador. NOTA: El método para remover/quitar dependerá de la configuración del quemador.
5. Levante cuidadosamente cada quemador lejos de las aberturas de la válvula. Le sugerimos las siguientes formas para limpiar los tubos del quemador. Utilice el método que le resulte más fácil. (A) Doble un alambre duro (una percha funciona bien) formando un pequeño gancho. Pase el gancho a través de cada tubo del quemador de gas varias veces.
(B) Use un cepillo limpia tubos angosto con mango flexible (no use un cepillo de alambre) y páselo varias veces por cada tubo del quemador.
(C) Use protección para los ojos: Use una manguera de aire para forzar aire en el tubo del quemador y por fuera de los puertos del quemador. Revise cada puerto para asegurarse de que salga aire de cada orificio.
6. Pase el cepillo de alambre por toda la superficie externa del quemador a fin de eliminar los residuos de alimentos y suciedad.
7. Limpie los puertos bloqueados con un alambre duro como un clip para papel abierto.
8. Revise que el quemador no esté dañado; es posible que algunos orificios se agranden por el uso normal y la corrosión. Si hay rajaduras grandes u orificios, reemplace el quemador. MUY IMPORTANTE: Los tubos del quemador deben volverse a enganchar en las aberturas de la válvula.
9. Fije el electrodo al quemador.

10. Reemplace los quemadores cuidadosamente.
11. Fije los quemadores a los soportes en el hogar.
12. Vuelva a colocar los tubos de arrastre y fíjelos a los quemadores. Reemplace los difusores de calor y las rejillas de cocción.

Seguridad alimentaria

La seguridad alimentaria es una parte muy importante de la experiencia de cocinar al aire libre. Para conservar los alimentos protegidos contra las bacterias nocivas, siga estos cuatro pasos básicos:

Limpia: Lávese las manos, y lave los utensilios y las superficies con agua caliente y jabón antes y después de manipular carnes o aves crudas.

Separar: Separe las carnes y aves crudas de los alimentos listos para ingerir para evitar la contaminación cruzada. Utilice una bandeja y utensilios limpios cuando retire los alimentos cocidos.

Cocinar: Cocine las carnes y aves por completo para matar las bacterias. Use un termómetro para comprobar las temperaturas internas adecuadas de los alimentos.

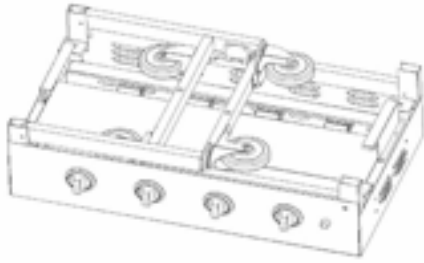
Refrigerar: Refrigere los alimentos preparados y las sobras rápidamente. Para más información visite el sitio web de la Sociedad Canadiense para Educación de los Consumidores sobre Seguridad Alimentaria en www.befoodsafe.ca.

Cómo saber si la carne está completamente asada

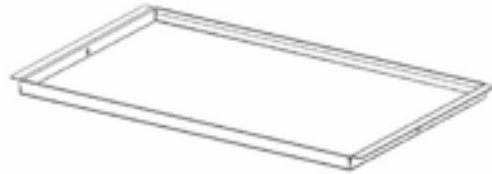
- Las carnes y aves cocinadas a la parrilla a menudo se doran muy rápidamente por fuera. Use un termómetro de carnes para asegurarse de que los alimentos hayan alcanzado una temperatura interna segura, y haga cortes para observar señales visibles de su cocción.
- Las aves completas deben alcanzar los 165 °F (74 °C). Los jugos deben salir y ser transparentes y la carne no debe ser rosada.
- Las hamburguesas elaboradas con cualquier carne molida o ave deben alcanzar los 160 °F (71 °C), y en el medio deben ser de color marrón, sin jugos rosados. Los filetes, rosbif y las chuletas de res, de ternera y de cordero pueden cocinarse hasta 145 °F (63 °C). Todos los cortes de cerdo deben alcanzar los 160 °F (71 °C).
- NUNCA ase parcialmente las carnes o las aves y termine de cocinarlas más tarde. Cocine los alimentos por completo para destruir las bacterias nocivas.
- Cuando recaliente alimentos comprados o carnes completamente cocidas como salchichas, ase a 165 °F (64 °C) o hasta que estén humeantes.

LISTA ILUSTRADA DE PIEZAS

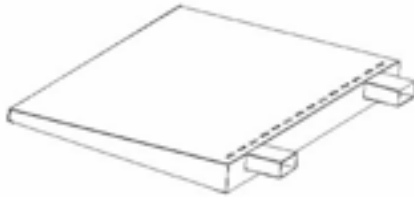
1. Cuerpo.....1 unidad
(con válvula de la perilla)



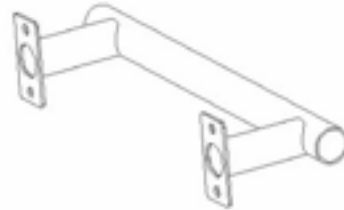
2. Bandeja inferior.....1 unidad



3. Estante lateral 2 unidades



4. Manija lateral 2 unidades



5. Parte superior de la parrilla 1 unidad



6. Depósito de aceite 1 unidad



7. Percha superior..... 1 unidad



8. PERILLA - pequeña 4 unidades



9. PERILLA - grande 2 unidades

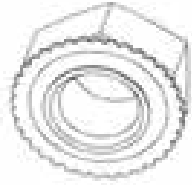


10. Menor sujeción..... 1 unidad

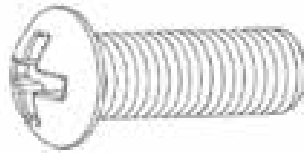


LISTA ILUSTRADA DE ACCESORIOS

1. TUERCA M6 8 unidades



2. Tornillo M6x12 8 unidades



ADVERTENCIA: El fabricante ha hecho todos los esfuerzos posibles por eliminar los bordes filosos. Sin embargo, debe manipular todos los componentes con cuidado a fin de evitar una lesión accidental. Herramientas necesarias: La única herramienta necesaria es un destornillador Phillips requerido para el ensamblaje mínimo en la cubierta y en las manijas del cuerpo principal.

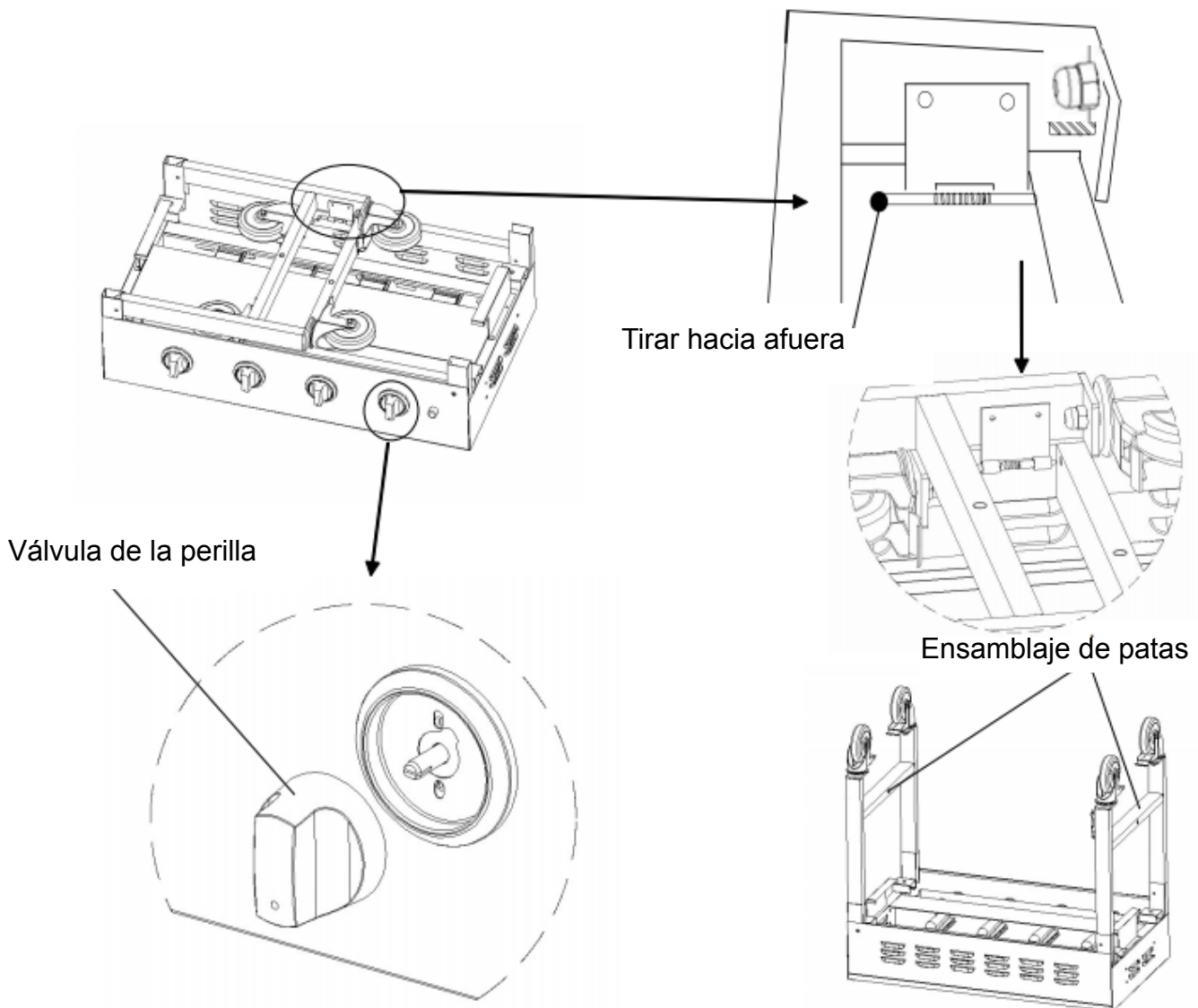
ENSAMBLAJE:

Lea todas las instrucciones detenidamente antes de continuar. Encuentre un área amplia y limpia en donde ensamblar su parrilla. Consulte la lista de piezas y el diagrama de ensamblaje si es necesario. El ensamblaje de la parrilla implica componentes de gran tamaño; por lo tanto, le aconsejamos que otra persona lo ayude a montar la unidad.

AVISO: Asegúrese de retirar toda la protección de plástico antes del ensamblaje

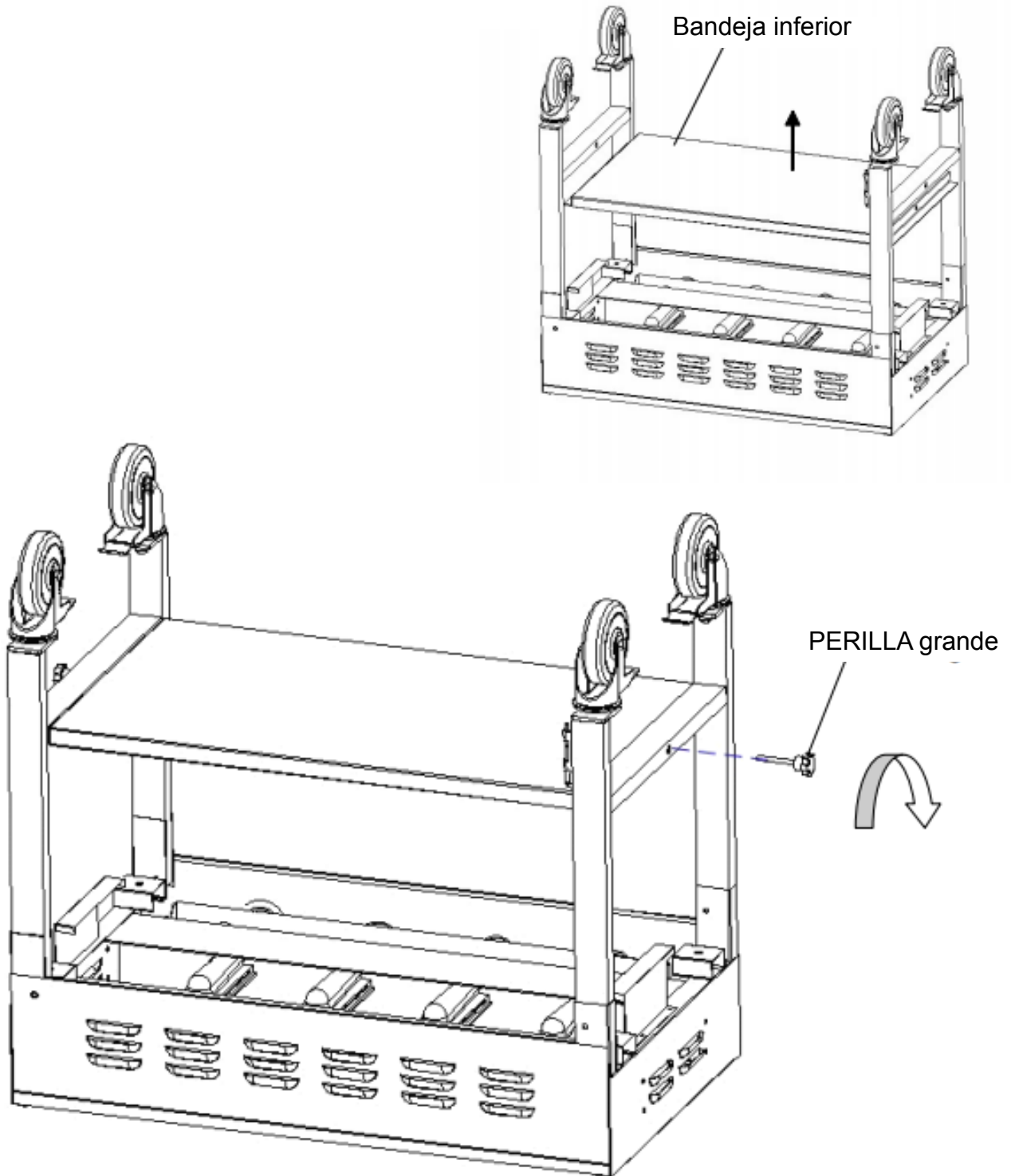
Paso 1:

Abra el ensamblaje de las patas. Vea a continuación.



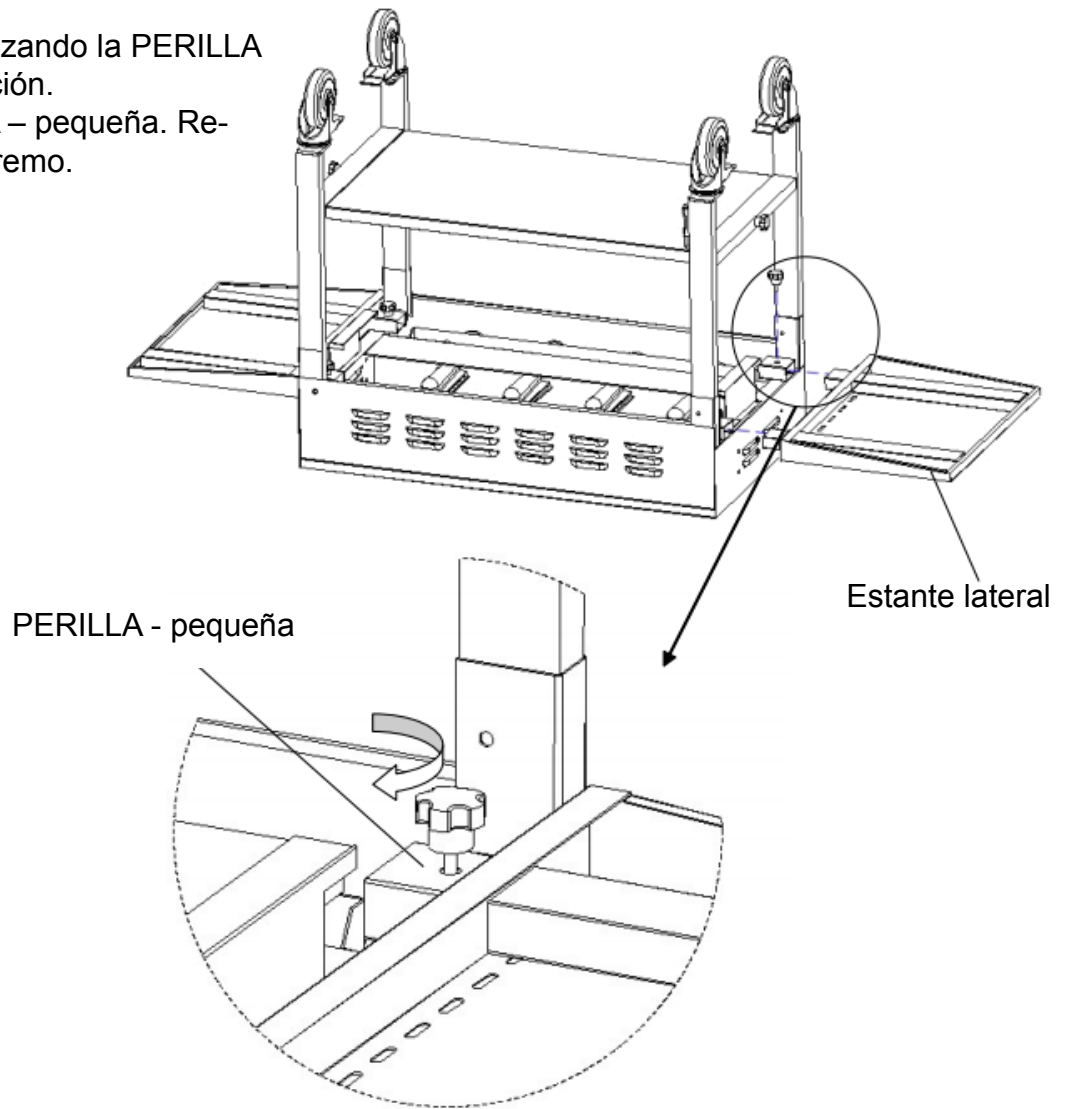
Paso 2:

Instale la bandeja inferior utilizando la PERILLA-grande. Vea a continuación.
Después ajuste la PERILLA – grande. Repita el paso para el otro extremo.



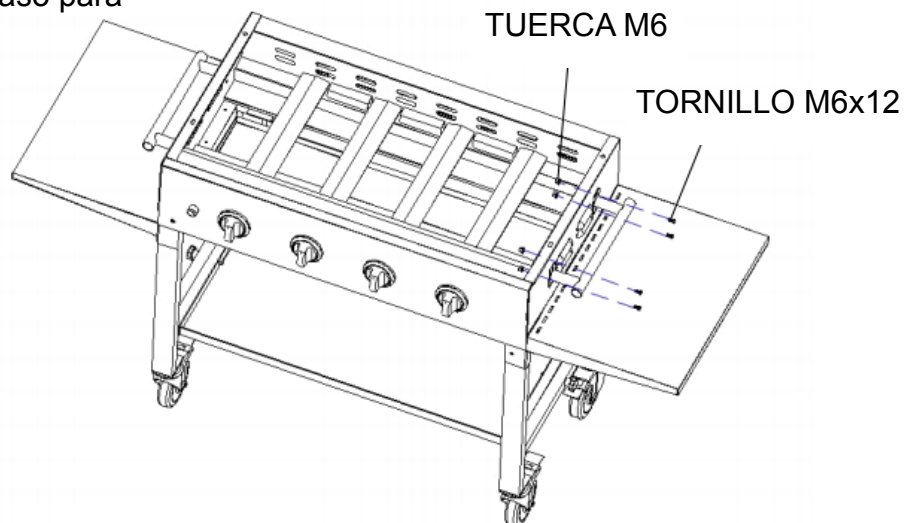
Paso 3:

Instale el estante lateral utilizando la PERILLA – pequeña. Vea a continuación. Después ajuste la PERILLA – pequeña. Repita el paso para el otro extremo.



Paso 4:

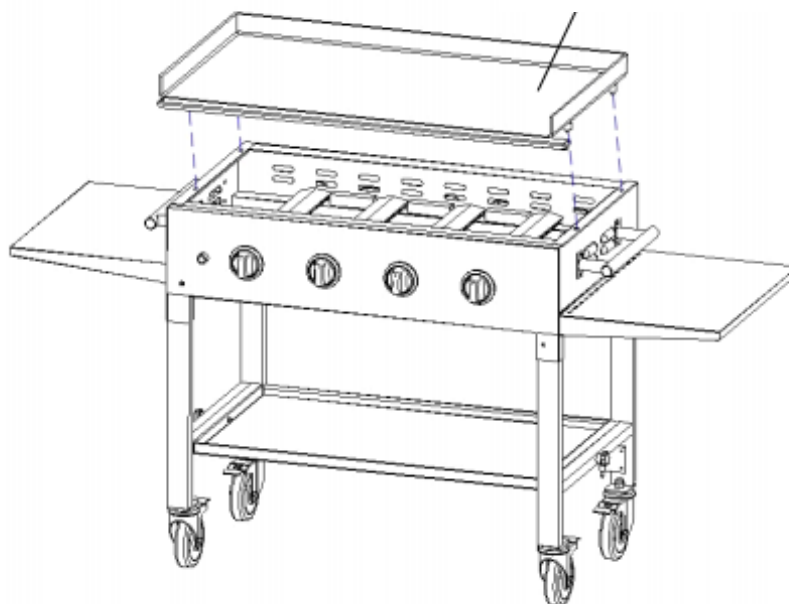
Instale la manija lateral utilizando el tornillo M6x12 con la tuerca M6. Vea a continuación. Después ajuste el tornillo. Repita el paso para el otro extremo.



Paso 5:

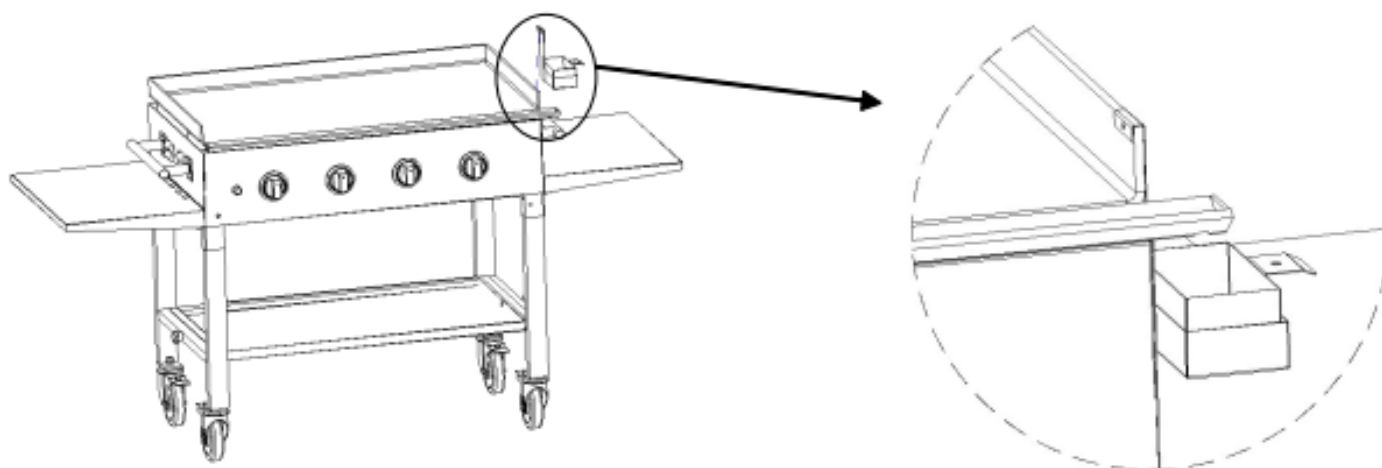
Instale la parte superior de la parrilla. Vea a continuación.

Parte superior de la parrilla



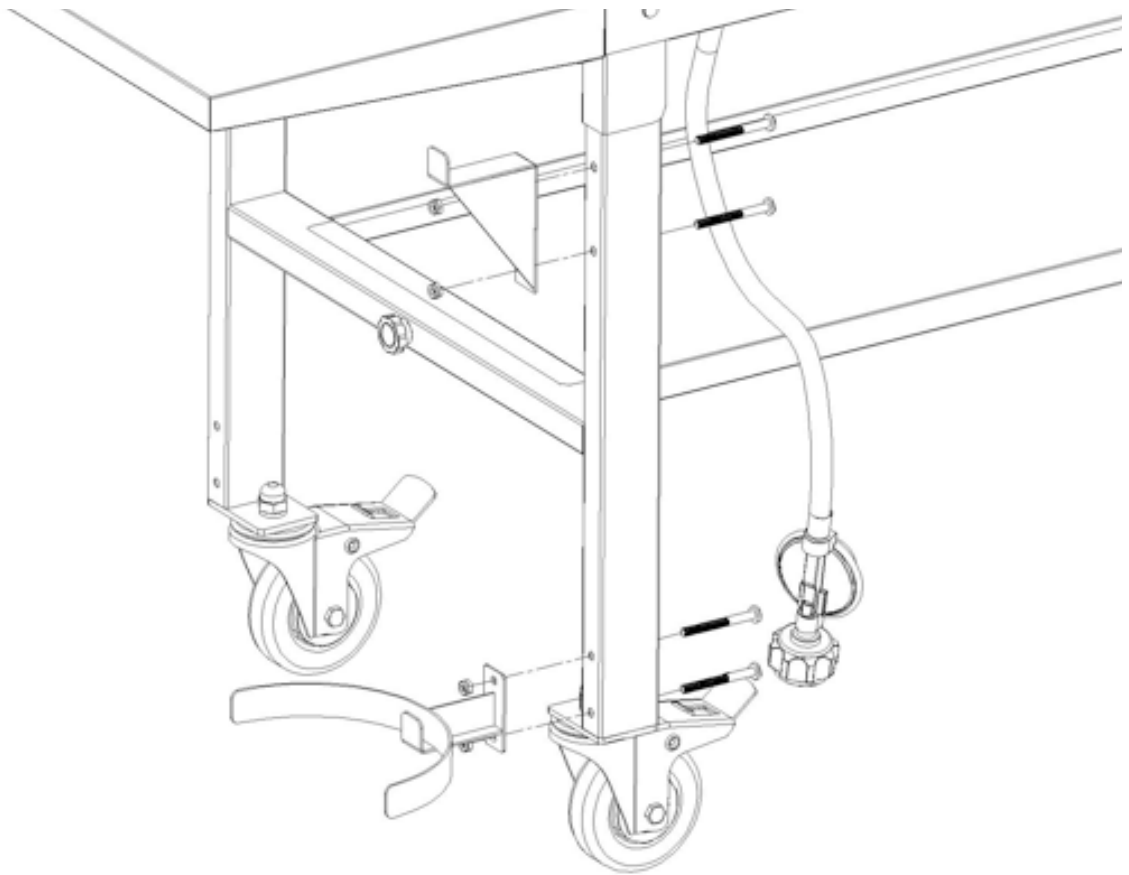
Paso 6:

Instale el depósito de aceite. Cuelgue el depósito de aceite sobre la parte superior de la parrilla. Vea a continuación.



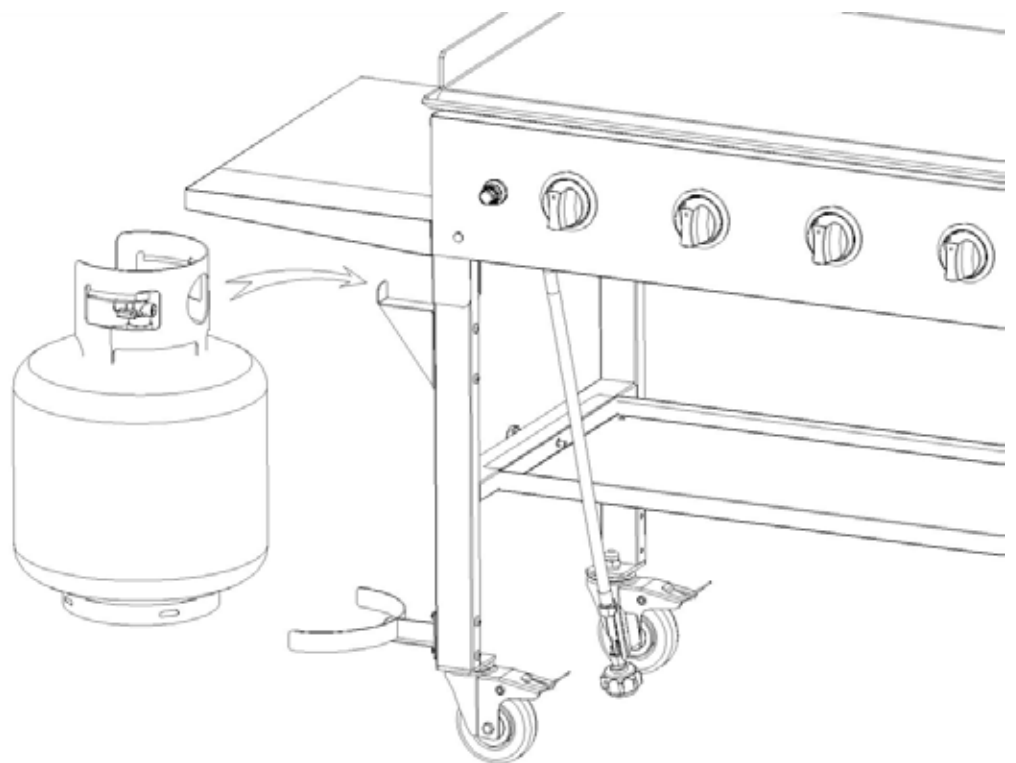
Paso 7:

Instale el soporte del cilindro superior e inferior del sujetador. Ver más abajo.



Paso 8:

Cuelgue el Cilindro



CUIDADO Y MANTENIMIENTO

Limpie regularmente su parrilla entre usos y especialmente después de largos periodos de almacenamiento. Asegúrese de que la parrilla y sus componentes estén lo suficientemente fríos antes de limpiarlos.

- Nunca manipule piezas calientes sin usar protección en las manos.
- A fin de extender y mantener la vida útil y el estado de su parrilla, le recomendamos que cubra la unidad cuando se encuentre al aire libre durante cualquier periodo de tiempo, especialmente durante los meses de invierno.

Mantenimiento del quemador:

En la mayoría de los casos, quemar los residuos después de cocinar mantendrá limpio al quemador. El quemador debe retirarse y limpiarse una vez por año o cuando tenga una acumulación importante a fin de garantizar que no haya bloqueos (polvo, insectos) en las portillas del quemador o en los tubos venturi. Use un limpiapipas para eliminar obstrucciones. Puede utilizar un cepillo de alambre para retirar la corrosión de las superficies del quemador. Al momento de reacondicionar el quemador, asegúrese de revisar que los tubos venturi encajen con las salidas de la válvula.

Accesorios y almacenamiento:

Se recomienda que una vez al año realice una revisión y un ajuste de los accesorios metálicos. Guarde la parrilla en un lugar fresco y seco. Cubra los quemadores con una lámina de aluminio para evitar que se acumulen insectos u otros desechos en los orificios del quemador. Si va a guardar la parrilla adentro, la botella de gas debe desconectarse y dejarse afuera. La botella de gas siempre debe guardarse afuera, fuera del alcance de los niños y en un área seca y bien ventilada lejos de toda fuente de calor o ignición.

SOLUCIÓN DE PROBLEMAS

PROBLEMA	CAUSA POSIBLE	SOLUCIÓN
El quemador no se enciende utilizando el sistema de encendido.	<ol style="list-style-type: none"> 1. Revise la batería. 2. El cilindro de gas LP está vacío. 3. El regulador es defectuoso. 4. Hay obstrucciones en el quemador. 5. Hay obstrucciones en los chorros de gas o en la manguera de gas. 6. El cable del electrodo está flojo o desconectado en la unidad del electrodo o de ignición. 7. El electrodo o el cable está dañado/botón de encendido defectuoso. 	<ol style="list-style-type: none"> 1. Reemplace con una batería nueva. 2. Reemplace con un cilindro lleno. 3. Haga que revisen o reemplacen el regulador. 4. Limpie el quemador. 5. Limpie los chorros y la manguera de gas. 6. Vuelva a conectar el cable. 7. Cambie el electrodo y el cable, cambie el botón de encendido.
El quemador no se enciende con un fósforo.	<ol style="list-style-type: none"> 1. El cilindro de gas LP está vacío. 2. El regulador es defectuoso. 3. Hay obstrucciones en el quemador. 4. Hay obstrucciones en los chorros de gas o en la manguera de gas. 	<ol style="list-style-type: none"> 1. Reemplace con un cilindro lleno. 2. Haga que revisen o reemplacen el regulador. 3. Limpie el quemador. 4. Limpie los chorros y la manguera de gas.
El fuego en el tubo del quemador tiene una llama baja o un retroceso de la llama (es posible que se escuche un sonido sibilante o estruendoso).	<ol style="list-style-type: none"> 1. El cilindro de gas LP está vacío. 2. Hay obstrucciones en el quemador. 3. Hay obstrucciones en los chorros de gas o en la manguera de gas. 4. Hay mucho viento. 	<ol style="list-style-type: none"> 1. Use un cilindro más grande. 2. Limpie el quemador. 3. Limpie los chorros y la manguera de gas. 4. Use la parrilla en una ubicación más protegida.

North Atlantic Imports LLC

Garantía de 90 Días

North Atlantic Imports, el fabricante de la “Estación de Cocción A Parrilla Blackstone 36 (Modelo # 1554), garantizará durante 90 días a partir de la compra de todas las partes, mano de obra y acabados. Será opción del fabricante en cuanto sea el reparar o reemplazar cualquiera de los elementos anteriores. Todas las garantías están limitadas a sólo el comprador original. Esta garantía no cubre ninguna responsabilidad por parte de North Atlantic Imports, sus agentes o empleados, para cualquier daño indirecto o consecuente por incumplimiento de garantía. El comprador deberá seguir las instrucciones de uso del fabricante. En ningún caso el fabricante será responsable de daños y perjuicios al no operar la estación de cocina correctamente. Es responsabilidad del comprador para establecer el período de garantía mediante la verificación de la fecha de compra original con el recibo de compra original.

Para mas detalles sobre la garantía, lea a continuación:

North Atlantic Imports LLC garantiza al dueño que el producto cubierto por este acuerdo se encuentra libre de defectos en materiales bajo uso normal y el servicio que se pretende si, y solo si, ha sido operado de acuerdo con las instrucciones de North Atlantic Imports LLC exclusivamente para uso doméstico, y no para clubs públicos, institucionales o usos comerciales. La obligación de North Atlantic Imports LLC's bajo dicha garantía se limita a reemplazar o reparar, sin costo alguno, cualquier parte o partes que podrían probar, a la satisfacción de North Atlantic Imports LLC, estar defectuosas bajo uso normal doméstico y servicio dentro de los períodos indicados de tiempo a partir de la fecha de compra hasta: a=por 90 días después de la compra, todas las partes, acabados y fabricación. Si alguna falla conforme a ésta garantía, apareciera durante el tiempo en que la garantía es válida, como se indica anteriormente, el consumidor original deberá dar notificación a North Atlantic Imports LLC de un incumplimiento de garantía dentro del tiempo en que la misma es válida. North Atlantic Imports LLC deberá, con debida notificación y cumplimiento por parte del consumidor original de dichas instrucciones, corregir dicho incumplimiento de garantía reparando o reemplazando las partes o parte defectuosa. Una corrección en la manera descrita anteriormente constituye un cumplimiento de toda obligación por parte de North Atlantic Imports LLC con respecto a la calidad del producto.

North Atlantic Imports LLC no garantiza éste equipo para cumplir con los requerimientos de cualquier código de seguridad de cualquier estado, municipio o jurisdicción, y el consumidor original asume todo riesgo y responsabilidad resultante de el uso, sin importar si el mismo concuerda con las instrucciones de North Atlantic Imports LLC o no. Ésta garantía no cubre, y tiene la intención de excluir, cualquier responsabilidad por parte de North Atlantic y sus agentes, sirvientes o empleados, ya sea bajo ésta garantía o por ley por cualquier daño indirecto o consecuencial causados por el incumplimiento de cualquier garantía. El consumidor deberá establecer todos los períodos en que aplica la garantía, verificando la compra original proporcionando el recibo de compra. Ésta garantía no aplicará a éste producto o a cualquier parte del mismo la cual ha sido sujeta a un accidente, negligencia, alteración, abuso o mal uso o la cual ha sido reparada o alterada sin el consentimiento por escrito de North Atlantic, fuera de la fábrica de North Atlantic Imports LLC. North Atlantic Imports LLC no otorga garantía bajo ninguna circunstancia con respecto a accesorios o partes no incluidas en la compra original. Ésta garantía sólo será válida dentro de los límites de los Estados Unidos de América. Ésta garantía otorga al consumidor original derechos específicos, y el consumidor original podría tener otros derechos, los cuales varían dependiendo del Estado.

Cuidado & Tratamiento de la parrilla

Siga estos sencillos pasos de limpieza y tratamiento para un rendimiento óptimo y larga vida de su Parrilla Blackstone. Es muy recomendable que la unidad se cubra cuando se deja fuera por cualquier periodo de tiempo, especialmente durante los meses de invierno.

¿QUE ES EL TRATAMIENTO?

El tratamiento es la preparación de los utensilios de cocina de acero o de hierro colado para su uso.

Hay dos razones para realizar este proceso:

1. Proteger al utensilio de cocina para prevenir la oxidación, y
2. Crear una superficie de cocción natural y permanentemente antiadherente.

El tratamiento es un primer paso fácil pero muy importante cuando utiliza la Parrilla Blackstone. A diferencia de las parrillas con acabado sintético, el acero o el hierro colado puede ser tratado y vuelto a tratar y la superficie de cocción puede restaurarse. Cuando le realiza el tratamiento a su parrilla, está evitando la oxidación y brindándole una superficie natural y permanentemente antiadherente.

Recuerde: El tratamiento toma su tiempo y debe repetirse varias veces antes de que la parrilla o bandeja desarrolle la superficie brillante y negra como las ollas de hierro colado de la abuela. Al cocinar y al tratar su parrilla se volverá la superficie se hará más antiadherente.

Limpiando Su Parrilla

PRIMERA VEZ:

Las Parrillas Blackstone están pre-condicionadas con aceite de cocina para prevenir el moho y daño durante el transporte. Para el primer uso, lave la parrilla en agua caliente con jabón. **ESTA ES LA UNICA VEZ QUE SE USARA JABON SOBRE LA PARRILLA.** Enjuague y seque completamente con toallas de papel. Proceda con las instrucciones para el tratamiento.

DESPUES DE CADA USO:

Para limpiar la parrilla después de cada uso, raspar suavemente con una espátula y limpiar la superficie de la plancha con una toalla de papel. Para residuos de alimentos duros, vierta agua caliente sobre la superficie de la plancha y déjela hervir para soltar el residuo. Limpie de nuevo con una toalla de papel y seque completamente. Un ¼ de taza de sal de mesa también se puede utilizar para pulir residuos pegados. Proceda con las instrucciones del tratamiento.

INSTRUCCIONES DE TRATAMIENTO:

- Con una espátula o rascador elimine los residuos de comida.
- Aplique en una superficie completa grandes cantidades de aceite para cocinar (oliva, vegetal, maní, etc.) sobre la superficie de la parrilla.
- Use una toalla de papel para distribuir el aceite completamente sobre la superficie de cocinar de la parrilla.
- Permita que la parrilla se enfríe en lugar fresco y seco.

Preguntas más frecuentes:

Q. ¿Y si mi parrilla se comienza a oxidar?

A. Si apareciera óxido en la superficie de la parrilla, la frota con lana de acero o papel de lija de grano bajo y siga las instrucciones de tratamiento de la superficie. Procure siempre secar por completo su parrilla antes de guardarla y mantenerse alejado de la lluvia y los rociadores.

- **CLIENTES EN climas HUMEDOS O de la COSTA PUEDEN REQUERIR tratamientos más frecuente sy el uso de aceites de cocina MÁS PESADOS PARA EVITAR oxidación y la corrosión.***

Q. ¿Qué tipos de aceites de cocinar puedo usar para tratar mi parrilla?

A. Recomendamos los siguientes aceites para uso en tratamiento: aceite de oliva, aceite vegetal, aceite de canola, aceite de coco y aceite de sésamo. Manteca de cerdo también se puede utilizar para tratar de la parte superior de la parrilla.

Q. ¿Puedo usar detergente para platos para limpiar la parrilla?

A. Detergentes para platos corta grasa eliminará el tratamiento en la parrilla. Para manchas difíciles utilice sal y agua caliente.

Q. ¿Por qué la superficie de mi parrilla se mira apagada y seca en vez de brillante y negra?

A. El tratamiento es un proceso continuo. Durante su uso y mientras trate la superficie superior de la parrilla, lo más brillante que su parrilla se verá.

Si tiene alguna duda o pregunta, por favor no dude en contactarse con nuestro Servicio de Atención al Cliente llamando directamente al (435) 252-3030 o visítenos en www.blackstoneproducts.com y haga clic en el contacto con nosotros en la ficha de la empresa en la parte superior de la página o envíenos un email a support@blackstoneproducts.com para obtener ayuda.

ESPERAMOS QUE DISFRUTE DE SU NUEVA COMPRA DE UN PRODUCTO BLACKSTONE.
Ahora valla a “Encender su Parrila!”

Estamos aquí para ayudarle!

Para preguntas en relación al Parrilla BLACKSTONE, o si necesita partes de repuesto, puede contactarnos al:

Para Ayuda en USA llame al : 435.252.3030

Para Ayuda en Canadá llame al: 801.656.2041

o Escribanos a:

support@blackstoneproducts.com

No complace el poder ayudarle con cualquier pregunta con respecto a el reemplazo de partes o su garantía. Nuestro personal de Servicio al Cliente puede ayudarle de Lunes a Viernes de 9:00 am a 5:00 pm Tiempo de la Montaña (Mountain Standard Time). Si los operadores están ocupados o nos llama fuera de las horas de servicio, puede dejarnos un mensaje y le regresaremos la llamada lo mas pronto posible.