



Installation Guide

REQUIRED TOOLS:

- Level
- Plastic Shims (for leveling if necessary)
- Drill
- Tapcon 3/16" x 2¾" Stainless Steel Screws
- 1/4" Stainless Steel Washers
- Tapcon 3/16" Drill Bit (pilot holes in concrete - typically sold with screws)
- 3/16" Drill Bit (pilot holes in cabinet installation rails)
- 1/8" Drill Bit (pilot holes to screw cabinets together)
- Phillips Head Screwdriver
- Clamps (with rubber pads)
- Saw (either circular or table - to trim fillers if necessary)
- Carpenter's Square
- Tape Measure
- Extension Cord
- Step Ladder (at least 6' if installing wall cabinets)

BEFORE YOU BEGIN:

Check your new cabinetry against your design plan to ensure that you have all required cabinets, moldings, fillers, and accessories to complete the installation.

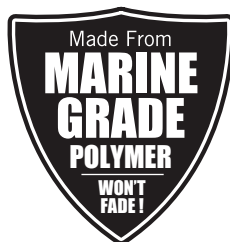
SAFETY FIRST:

To avoid injury, explosion or shock, make sure that all water supplies, gas supplies and pertinent circuit breakers are shut off. Double check electrical using circuit tester to confirm power is off. If you are uncertain that utilities have been properly shut off, consult your utility company or service professional.

CAUTION:

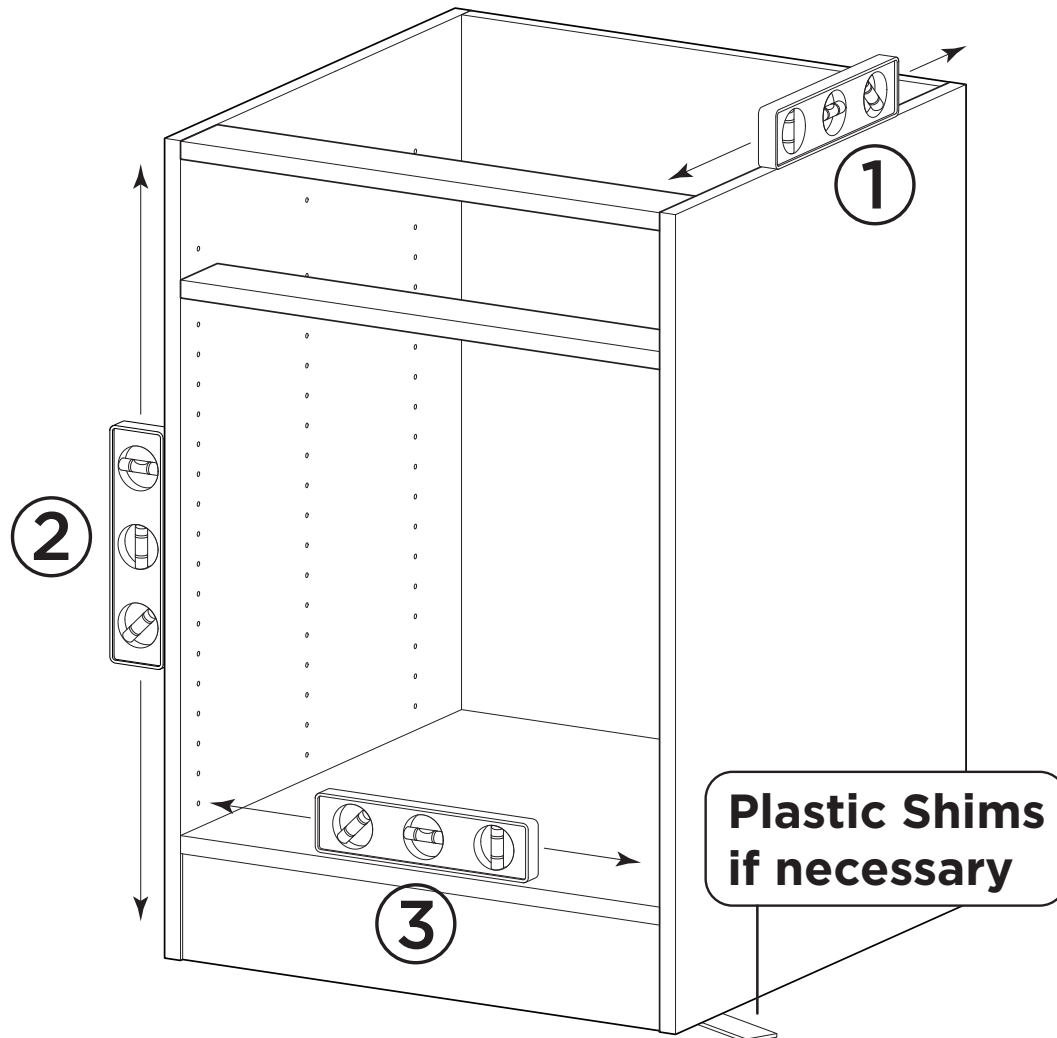
It is essential that you use the recommended screws for your cabinetry installation. Under no circumstances, should you use nails or drywall screws as they do not have the strength or holding power to ensure that cabinets stay on the wall. Failure to use specified screws will render warranty null and void.

Installation detailed in this manual is for concrete block construction only. Attachment to any other wall types, will require locating the wood or steel studs behind the wall. Consult with your local home center, hardware store or installation specialist for recommended fasteners.



Leveling the Cabinets

Leveling the cabinets is the most important part of installation, to ensure doors align properly and countertops set evenly. They are to be level and square. Use plastic or polymer shims as needed.

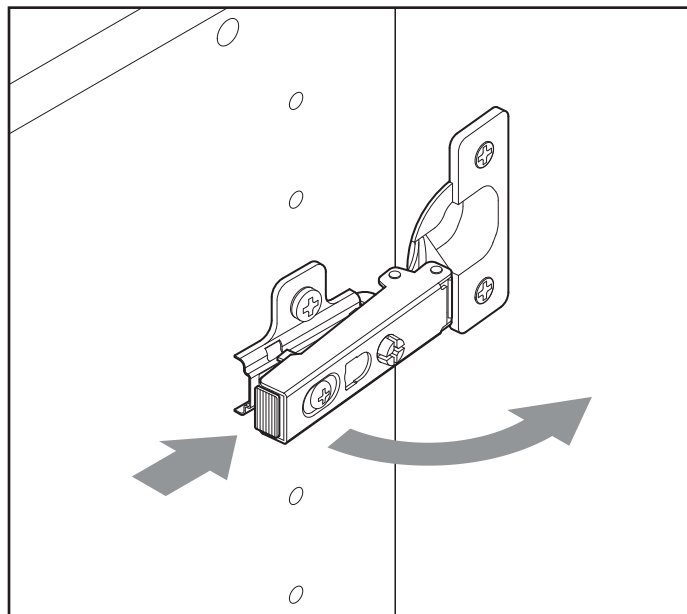


Be sure to level your cabinets in all three directions:

1. Front to Back
2. Vertically
3. Horizontally

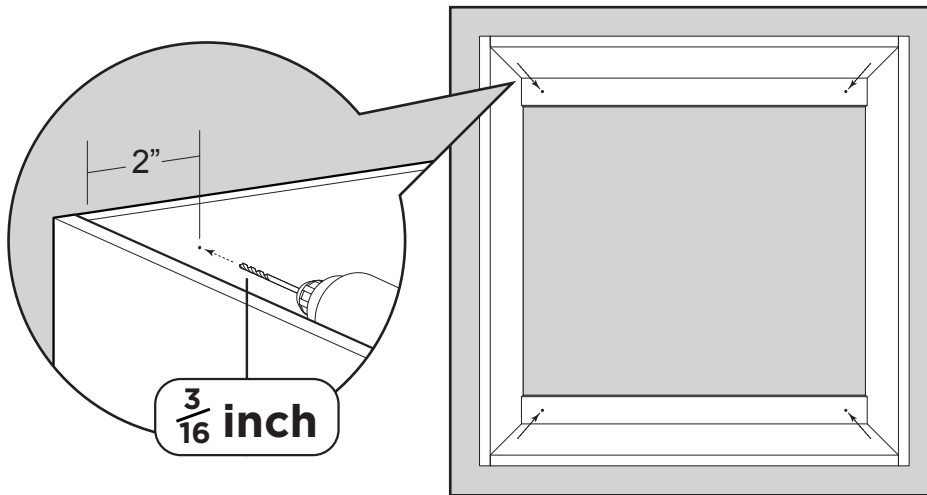
Anchoring to Concrete Block Walls

Prior to installation you will find it easier handle the cabinet with the doors and drawers removed. Hinges can be removed from the hinge plate by simply pressing in the release button on the end of the hinge, and pulling away from the cabinet. They are re-attached by hooking the hinge to the plate and snapping the pressure release into place.

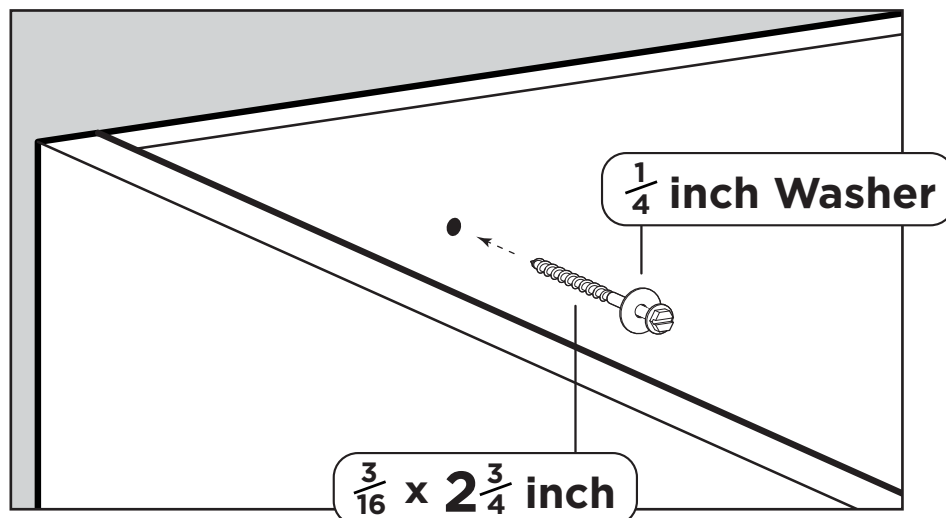


Anchoring to Concrete Block Walls

1. Each Wall Cabinet requires 4 wall anchors (2 top, 2 bottom)
2. Screws should be placed in each corner approximately 2" from the end panels.
3. Pre-drill the pilot holes before you place the cabinet against the wall, with a standard 3/36" drill bit.



4. Then put the cabinet in place. In each corner use the 3/16" Tapcon bit thru the pilot holes to create starter holes into the concrete block, for the Tapcon anchors.
5. Remove the cabinet to complete drilling the pilot holes into the concrete block. When complete, place the cabinet against the wall
6. Once you confirm the cabinet is level and square, use Tapcon® 410 Stainless Steel 3/16" x 2 3/4" fasteners, with a 1/4 stainless steel washer to secure the cabinet to the wall.

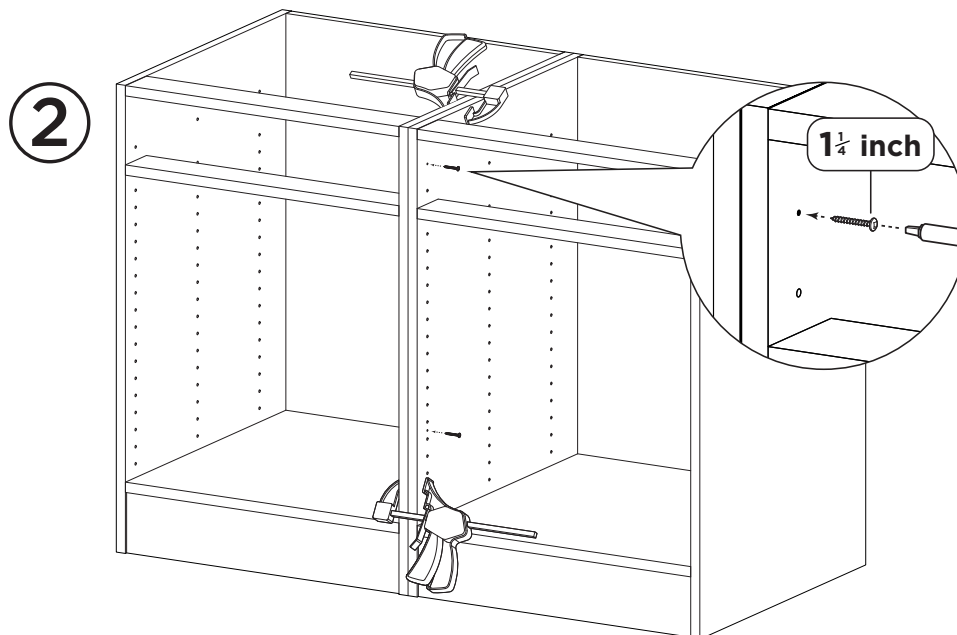
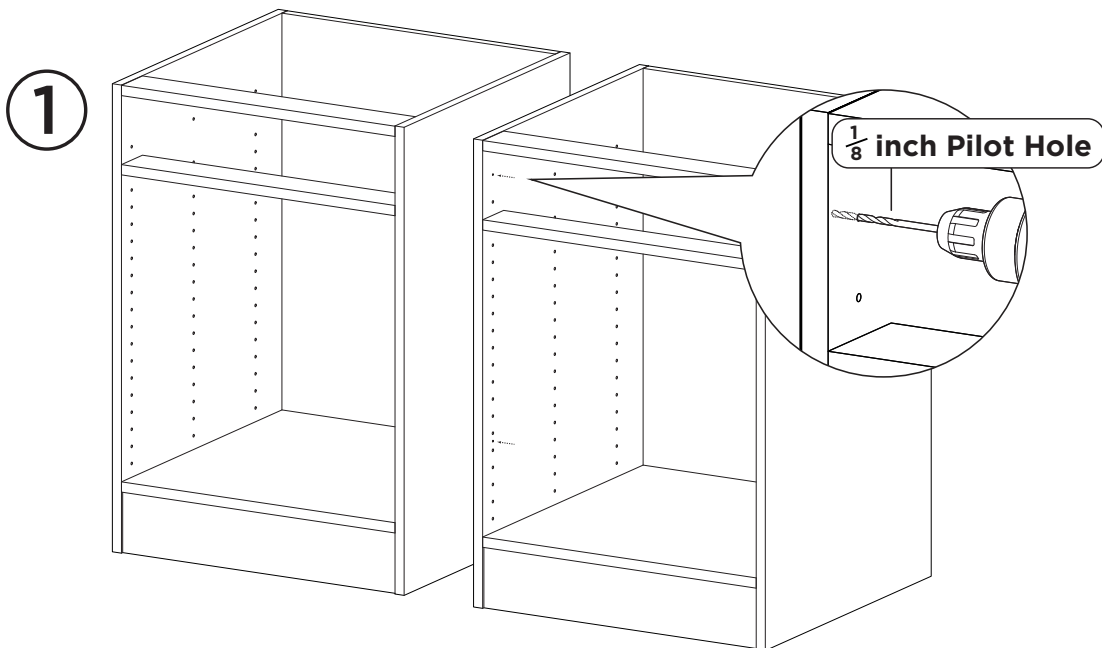


Fastening Cabinets Together

As you install you Base and Wall cabinets, you may want to secure the cabinets together, along the front edge. This will help reduce gaps between cabinets and maintain alignment

1. To secure cabinets together, a 1 1/4" stainless steel screw is used. (Model # WSSS1.25-Screw Kit) Pre-drill a 1/8" pilot hole in one end panel. Try to choose a location not visible, along the front.

2. Use clamps to hold cabinet panel in alignment. Insert the screw through the pilot hole into the sceond cabinet end panel - Be careful not to countersink the head.



Adjusting Door Alignment

WeatherStrong Cabinets feature a 6-way adjustable hinge that will allow you to adjust and align all the doors after installation

1. The center screw face will adjust the door from side to side
2. The top and bottom screws allow adjustment up and down
3. The back screw face will adjust the door in and out

