



Installation & Assembly Instructions

1795 Storability® 33"L x 31.5"H 3-Shelf Wall Mount Unit

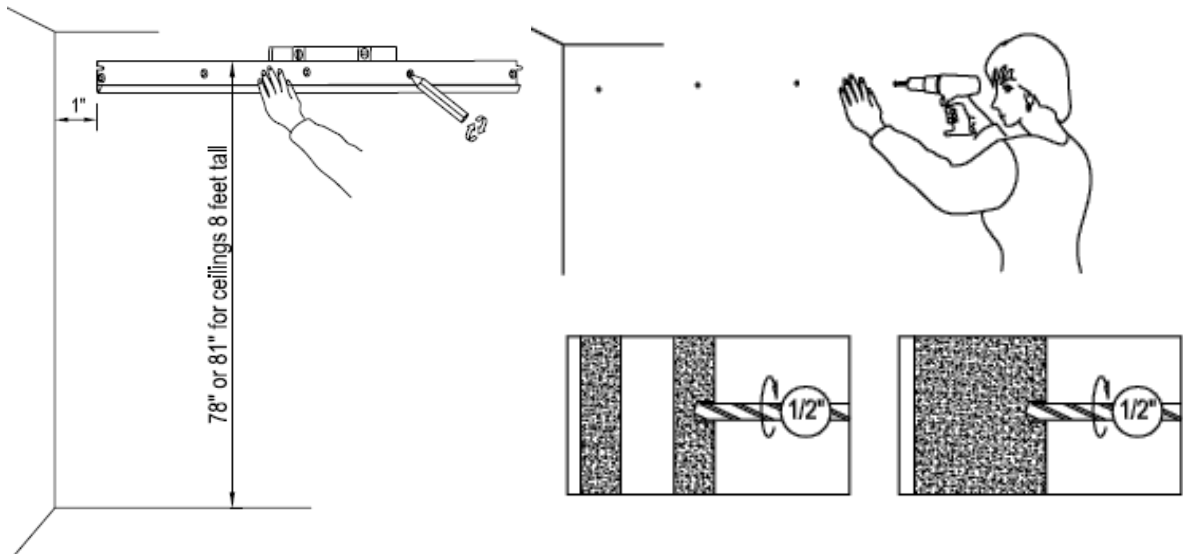
Read all instructions completely before installing. Should you have any questions about your installation, please call Customer Service at 440-248-5480. Missing and damaged parts must be reported within 5 days from receipt of delivery.

Tools needed for this installation (Not supplied with kit) –Level -Tape Measure- Drill- Drill Bits - Phillips Head Screwdriver - Mallet

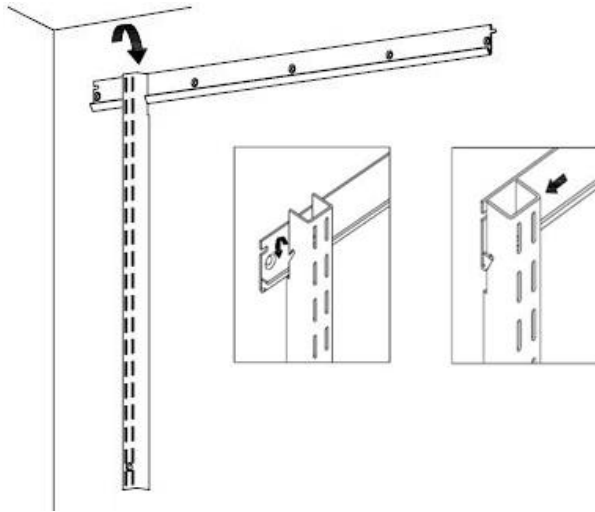
Part Number	Quantity	Parts Listing Description
1795	3	31" Wire Shelf
	3	Left Lock-On Hanging Brackets
	3	Right Lock-On Hanging Brackets
	1	Top Track unit (mount to wall using a level)
	2	32" vertical rails
	1	Mounting hardware kit for top track and hang rails

Wall framing installation

Install 1700 Top Track across wall then secure Hang Rails on Top Track and secure with hardware (provided).
Model 1795 - 31" Wire Shelves mount on the 2 hang rails spaced 30-3/8" apart measured inside (between) rails:

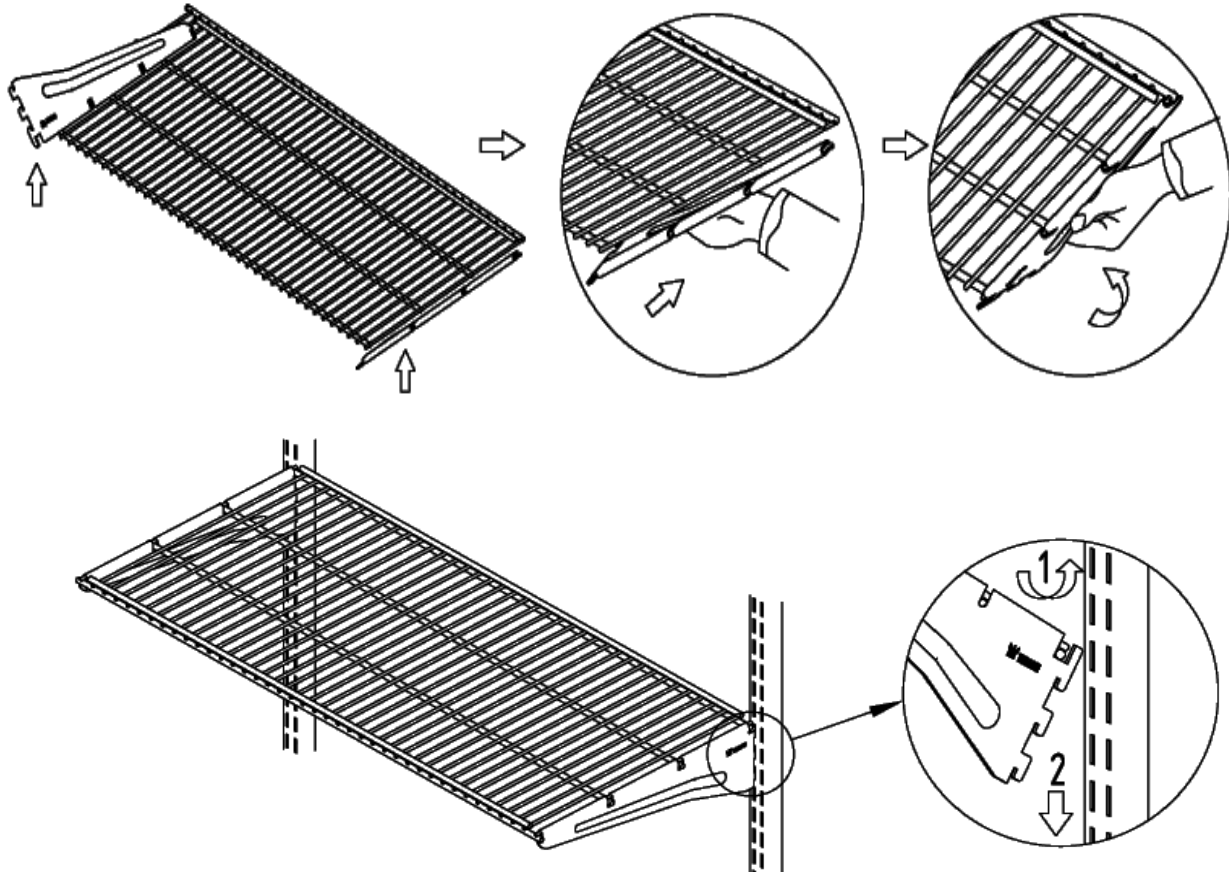


Installation & Assembly Instructions



Assemble with hang rail slotted ends to outside. Make sure notches are at the far end of assembled hang rail and space the hang rails on the Top Track 30-3/8" apart measured inside (between) the hang rails. The vertical rails can be mounted to the wall. You can use the provided drywall anchors, the molly bolts or the wood screws if you are mounting to the studs.

Wire Shelf Installation (See image below) make sure that brackets attach over the top of the wire shelf with flat surface up. Attach left and right lock-on hanging brackets over each side. Wire shelf should be installed level and in the inside slot positions of each hang rail spaced 30-3/8" apart. If accidental binding occurs use soft rubber mallet to help remove accessory and protect paint. To attach and detach push unit upward into the rail slots and push in or pull out at about a 45 degree angle.





Installation & Assembly Instructions

LIMITED LIFETIME WARRANTY: Triton Global Products are backed by a Limited Lifetime Warranty to the original owner that our products are free from defects in material and workmanship. If a product is defective when used as intended under normal conditions, Triton will replace the product, send a replacement part or issue a refund (at our option) when the consumer provides the original proof of purchase along with a full description of the defect, to: Triton Global Products 30700 -D Carter Street Solon OH 44139 All of our steel products have been engineered to last a lifetime.

EXCLUSIONS TO LIMITED LIFETIME WARRANTY:

- Excludes Normal Wear and Tear.
- Excludes Cosmetics and Aesthetics.
- Is Void if Products were improperly installed or used incorrectly (i.e., Not per Included Instructions).
- Excludes Plastic and any other Non-Metal based Products.
- Limited Lifetime Warranty is Non-Transferable and only applies to the original purchaser.
- Original Proof of Purchase is required for all warranty claims.