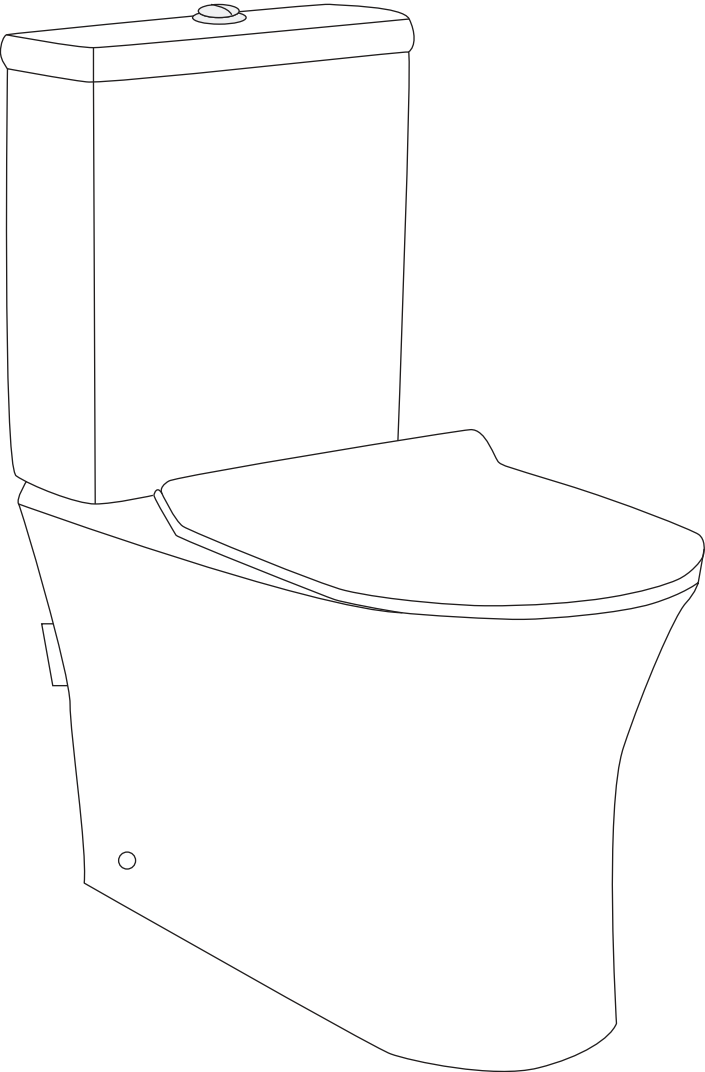


Two-Piece Toilet with Rear Outlet

INSTALLATION INSTRUCTIONS

Swiss Madison[®]
well made forever



@SwissMadison
#WellMadeForever





PRIOR TO INSTALLATION:

- Inspect toilet to ensure no damages have occurred while in shipping.
- Observe all plumbing and building codes in accordance with your state and local requirements.
- All dimensions are nominal! Be sure to measure your toilet prior to installation.
- The step-by-step guidelines in the installation instructions are a general reference. Should there be any discrepancies, Swiss Madison cannot be held liable. It is recommended to install all Swiss Madison products by hiring a licensed professional.
- Read installation and maintenance instructions thoroughly before installing. Be sure to use proper tools and always wear proper personal safety accessories for your protection.
- Two people are recommended to handle and install this product as it is fragile.
- Fill valve has been factory-tightened to design specifications. If re-tightening is required, use a wrench a tighten one turn past finger tight.
- Make sure the supply pressure is a minimum of 35 psi (2.5kg/cm³), the toilet will not function properly without minimum water pressure.

If you have any questions or concerns please contact us:

1-434-623-4766

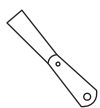
info@swissmadison.com

SUGGESTED TOOLS & MATERIALS:

INCLUDED PARTS:



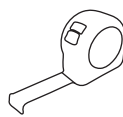
Safety Glasses



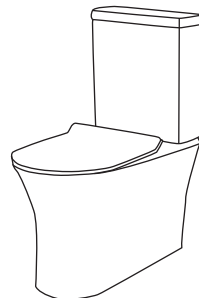
Putty Knife



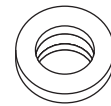
Wrench



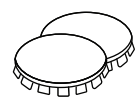
Tape Measure



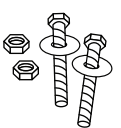
Two-Piece Toilet



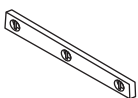
Wax Ring/
Gasket



Cover Caps



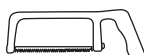
Bolts



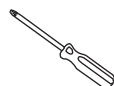
Level



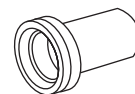
Flexible Supply Tube



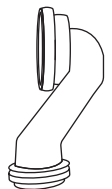
Hacksaw



Screwdriver



Wall Pipe*
(for wall outlet)

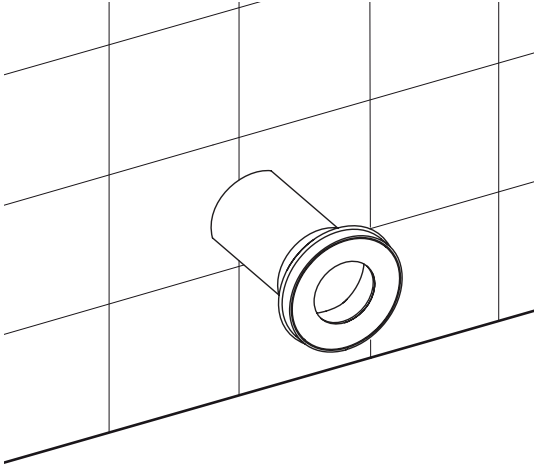


P to S-Trap Adapter*
(for floor outlet)

1. Turn Off Water Supply

- Close toilet supply valve and flush tank completely, use towel to remove excess water.
- Disconnect and remove supply line, if you are replacing the valve shut main water supply first.

2. Identify Outlet Installation Type



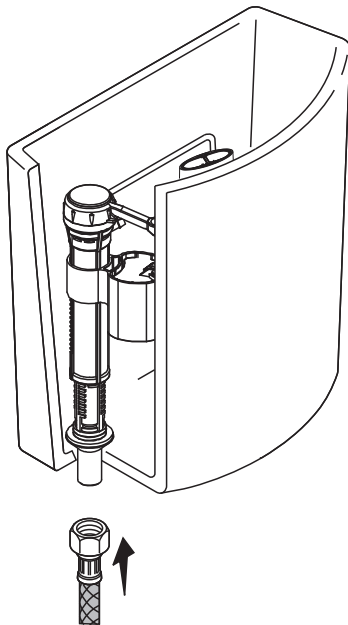
- For wall-outlet installation, place the pipe fittings as shown above.



- For floor-outlet installation, place the pipe fittings as shown above.

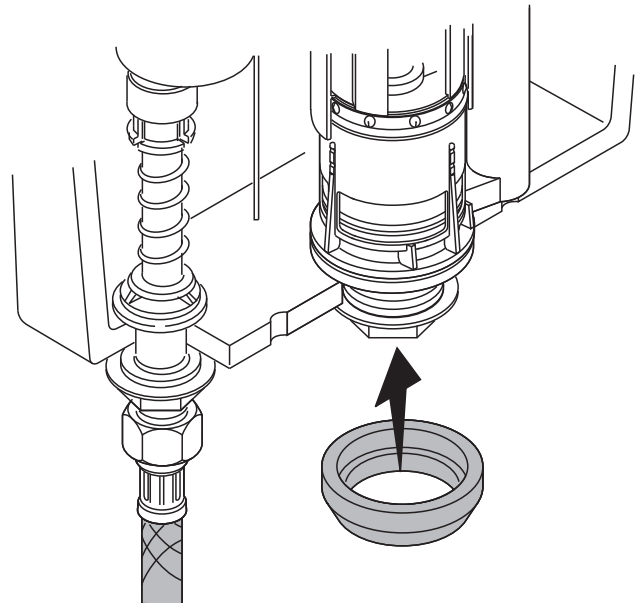
3. Connect Supply Hose

- Thread the supply hose onto the tank.



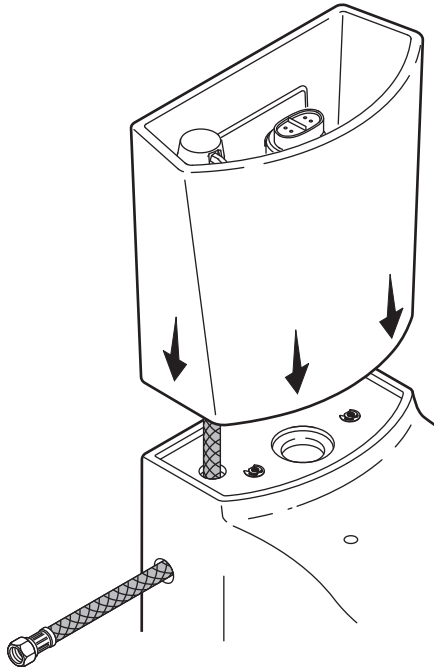
4. Attach Gasket

- Position the gasket on the bowl inlet.



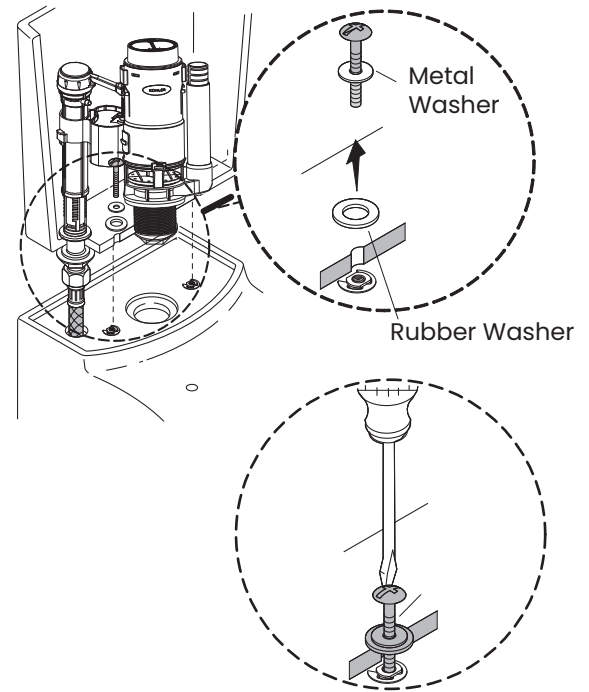
5. Position Tank onto Bowl

- Holes should line up so threaded rod can fit smoothly connecting the cistern body to the bowl.



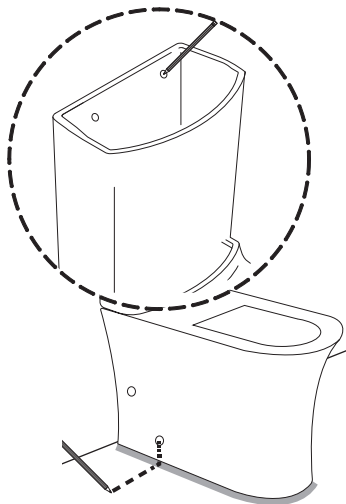
6. Secure Tank to Bowl

- Slide metal washer and rubber washer onto the bolt.
- Thread bolts into the bottom of the tank then tighten the bolts using a screwdriver.
- Do not overtighten, this may crack the ceramic.



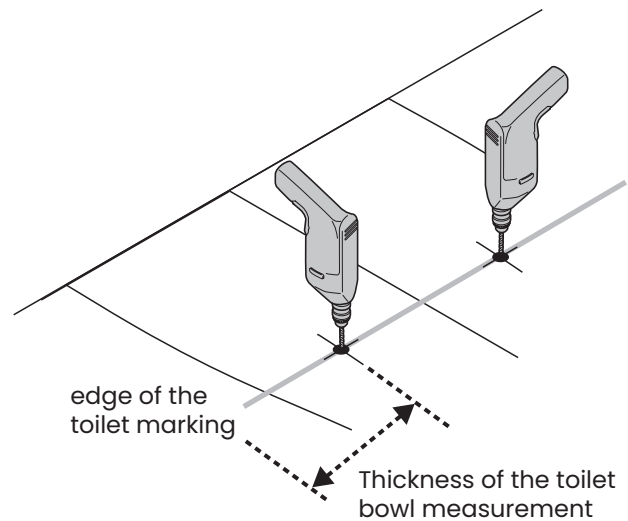
7. Position Toilet

- Position toilet into place and make level.
- Use a pencil to mark the location of the holes inside the tank onto the wall.
- Draw one line around the base of the toilet and one perpendicular from the holes located on both sides of the bowl.



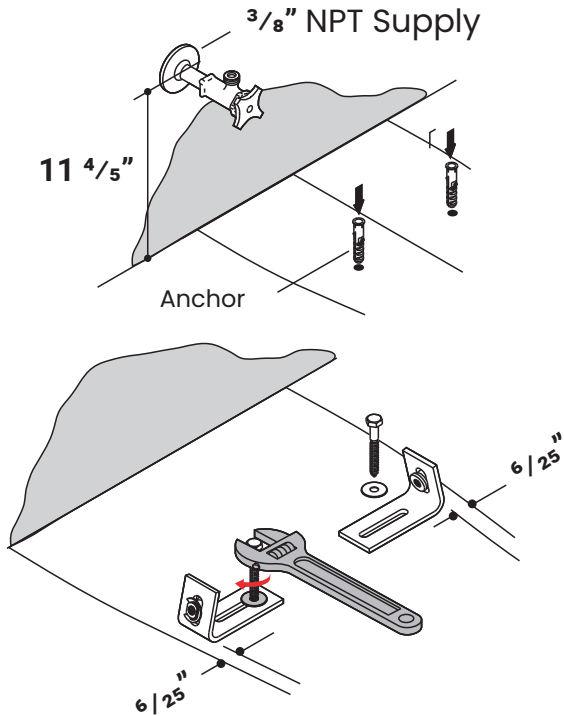
8. Drill Holes

- Remove the toilet and measure bowl thickness.
- Apply that measurement from edge to center of marks you made on the floor as shown, then drill.
- Drill holes into locations on wall marked from tank.



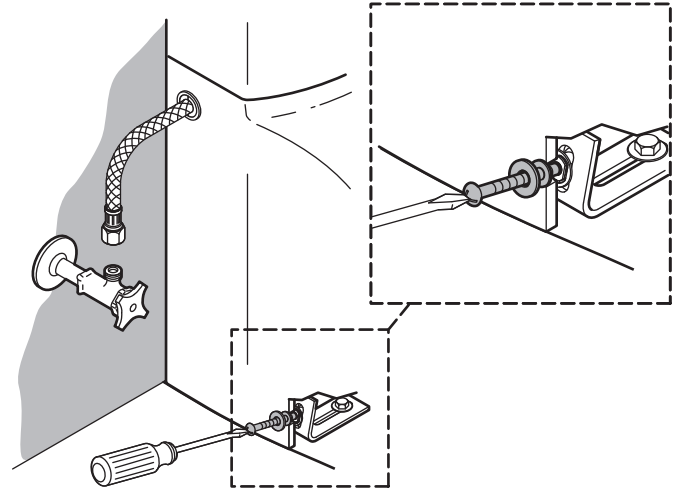
9. Install Hardware

- Install anchors into all pre-drilled locations.
- Install brackets onto floor.



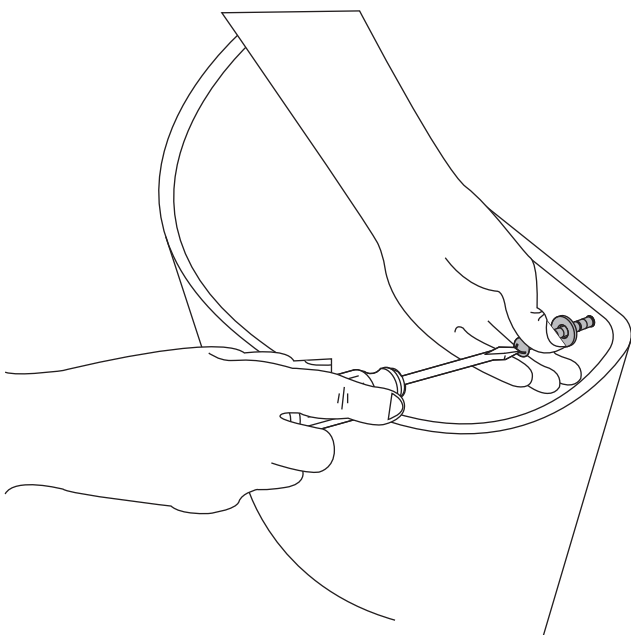
10. Secure Toilet

- Return toilet to desired location.
- Carefully thread bolts onto nuts on the bracket.
- Tighten to secure into place, do not over tighten.



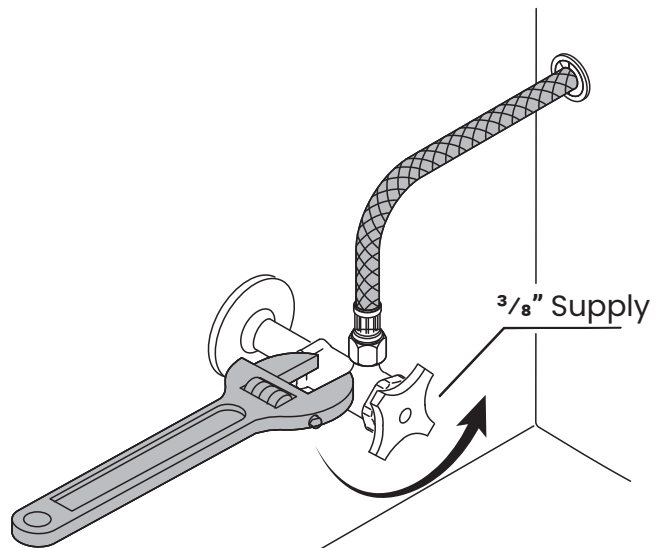
11. Secure Tank

- Using screws and washers affix tank to wall.
- Tighten to secure in place, do not over tighten.



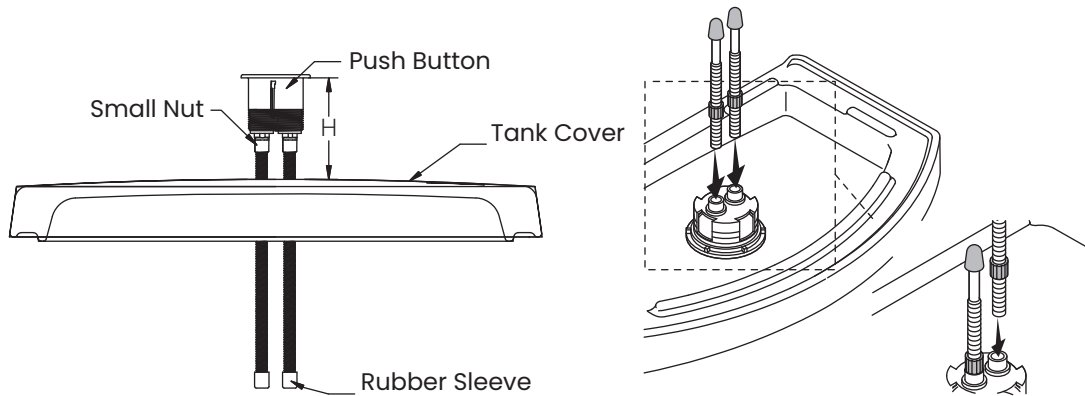
12. Connect Plumbing

- Connect water supply.



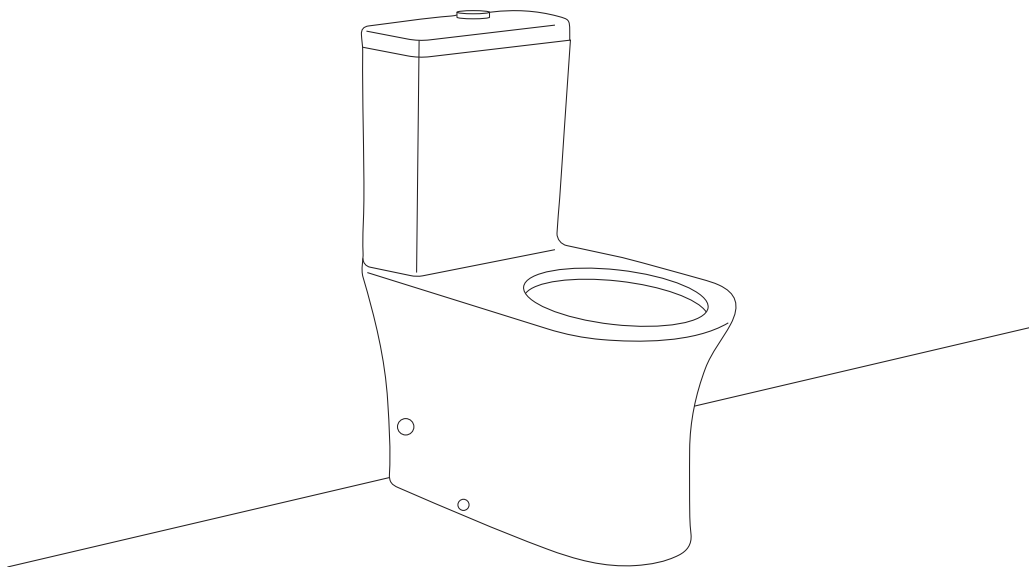
13. Connect Push Button

- Unscrew the big white nut on the push button and insert the button into the hole on the tank.
- When the rods meet the push buttons, measure the height (H) with a ruler.
- Unscrew the rods and cut the part H on both rods.
- Insert the rods back and tighten the small nut.
- Tighten the big nut from the inside of the tank.



14. Check for Leaks

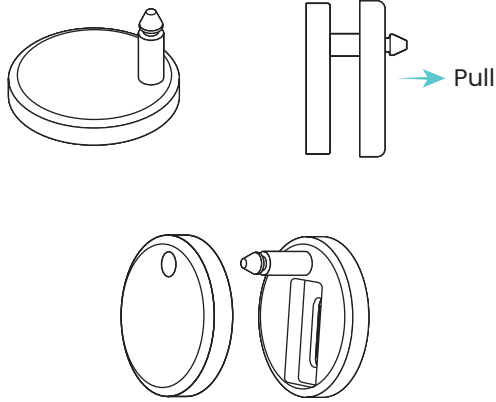
- Flush several times and check for leaks.



TOILET SEAT INSTALLATION

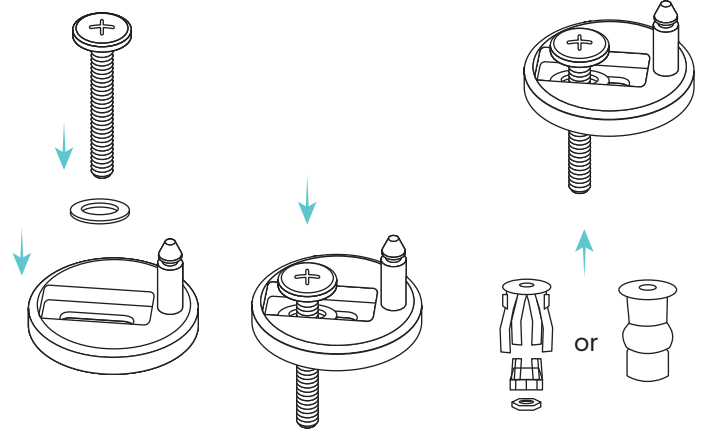
1. Disassemble

- Disassemble the cover cap and the hinge.



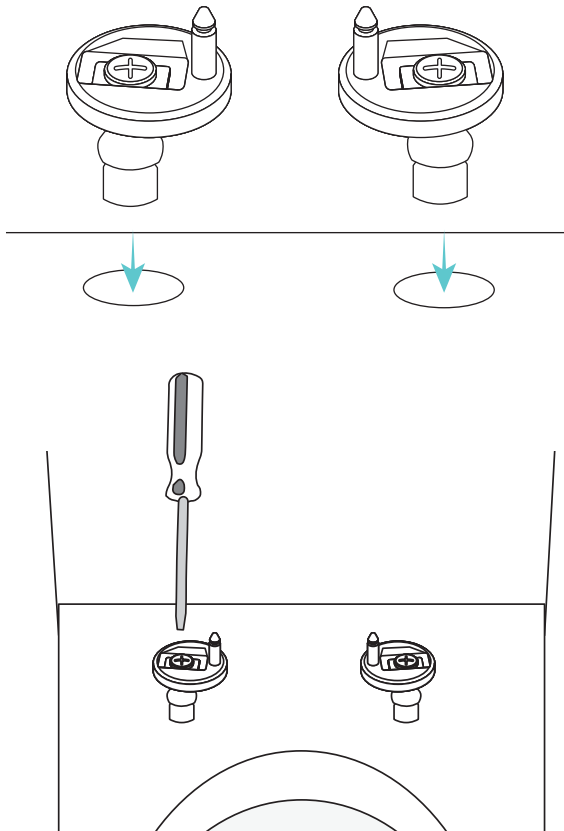
2. Construct Hinges

- Insert screw and nut into the hole on the hinge.
- Attach blind hole screw fixing to the bottom of screw.



3. Attach Hinges

- Insert hinges with blind hole screw fixings attached into holes on toilet bowl.
- Lightly tighten hinges with a screwdriver too allow for later adjustment.

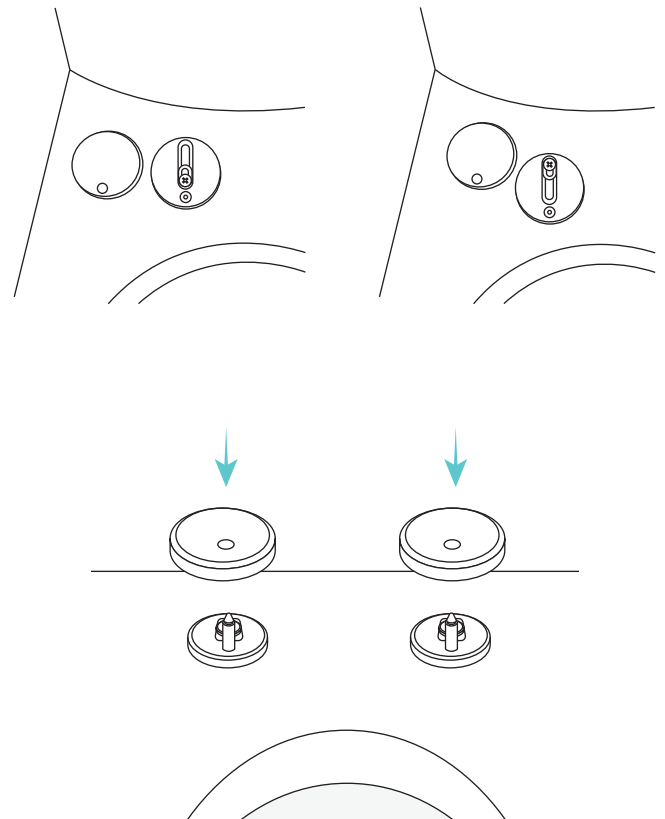


4. Adjust and Cover Hinges

- Be sure the hinge is all the way forward for proper seat fitting.
- Place the covers onto the hinges.

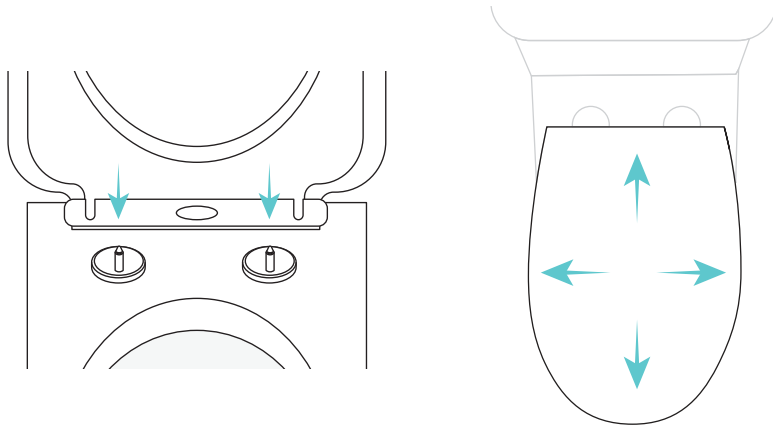
Incorrect:

Correct:



5. Adjust and Attach Seat

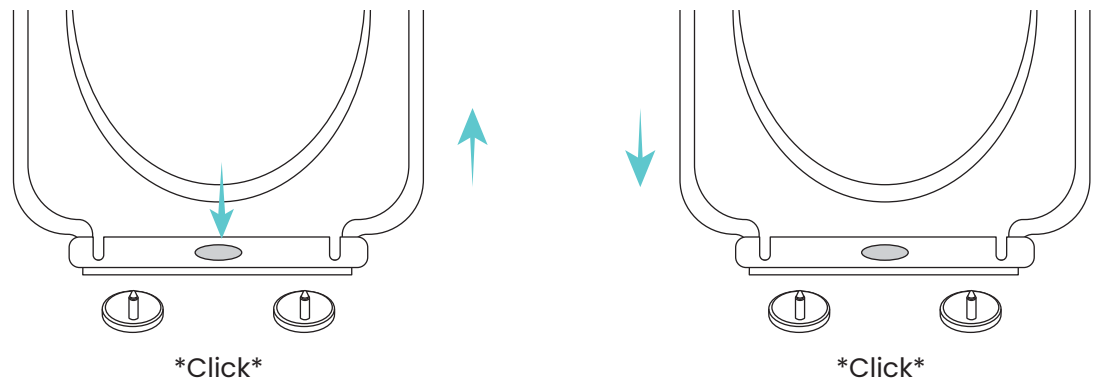
- Align seat to the hinges then firmly tighten the hinges.
- Attach seat to the secure hinges.
- Adjust seat to align to the bowl.



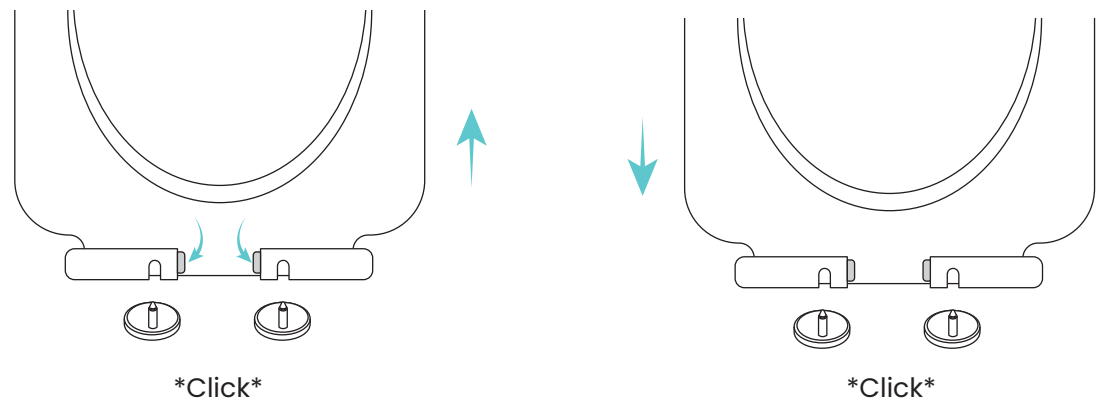
TOILET SEAT USAGE

- To remove, push middle button until you hear a “click”, then pull straight up.
- To re-install, align hinge posts with reference marks on seat, then push down until you hear a “click”.

One Button:



Two Button:



ONE YEAR LIMITED WARRANTY

Swiss Madison® products are made with quality materials and excellent craftsmanship to provide our customers with beautiful, durable, long-lasting products. Should there be any defects in materials or craftsmanship under regular use that are discovered within the first year of installation, Swiss Madison® will provide replacement parts at no charge, or at its discretion, replace any product or part of the product that is deemed defective, under normal installation, use, service or maintenance. This warranty applies only to the original purchaser. Proof of purchase will be required in the instance of a claim.

Swiss Madison® recommends all installations of Swiss Madison® products to be conducted by a licensed, professional plumber or contractor. Swiss Madison® will not be held responsible for any damage or product failure due to improper installation, misuse, or failure to utilize a licensed professional for installation. Swiss Madison® is not responsible for any installation or removal costs.

This One Year Limited Warranty Will Be Voided If:

- The installation recommendations were not followed by the installer
- The product has been moved from its initial place of installation
- The product has in any way been modified from its packaged state
- The product has been subjected to improper maintenance, abuse, misuse, excessive use of chemicals, accidents, or other damages, etc.

Swiss Madison® makes no implication that its products comply with any local building or plumbing codes. It is the consumer's responsibility and obligation to determine local code compliance prior to and during installation. This warranty extends only to the original purchaser and first consumer.

Swiss Madison® is not responsible for any special, incidental or consequential damages associated with the installation, replacement, return or use of the original purchaser's product. This includes, but is not limited to: freight costs, labor, travel time, lost profit, home damages and other contingent liabilities and costs (including, without limitation, costs associated with 'professionals' or 'experts', investigations, audits, analyses, attorneys and any other professional/hired services).

The Swiss Madison® warranty is a comprehensive and explicit limit of liability. All items not disclosed within the warranty are not addressable within the responsibility of Swiss Madison®. Certain states have variances regarding implied warranties; in those situations, we remain fully compliant.

**If you have any questions or concerns, please contact us directly at
1-434-MADISON (623-4766)**

⚠ WARNING: Contents of your order may contain sharp and possibly other harmful pieces and may cause hazard to children and adults. Swiss Madison® is not responsible in any way for personal damages.