

# Nola™ / KPF-1640

Single Lever Flex Commercial Style Kitchen Faucet

Chrome / Stainless Steel Finishes

# Kräus®

SPECIFICATION SHEET

## Material

Body: Brass  
Handle: Zinc  
Sprayer: ABS  
Waterway: Brass

## Spout

Swivel: 360  
Design: Double Coil

## Sprayhead

Flow Rate: 1.75 gpm (6.6L/min) @ 60 psi  
Aerator: Neoperl/1.75GPM  
Name: Cache Perlator Honeycomb  
Function: Spray/Stream  
Nozzles: Easy Clean Rubber Nozzles  
Docking: Magnet

## Cartridge

Brand: Kerox  
Size: 35mm  
Style: Lever

## Mounting

Holes: 1 - 3 Holes  
Type: Brass Nut

## Waterlines

Type : Haoyamei, 600mm  
Flexible  
Connections: 3/8"  
Materials: Braided Stainless Steel  
Included

## Dimensions

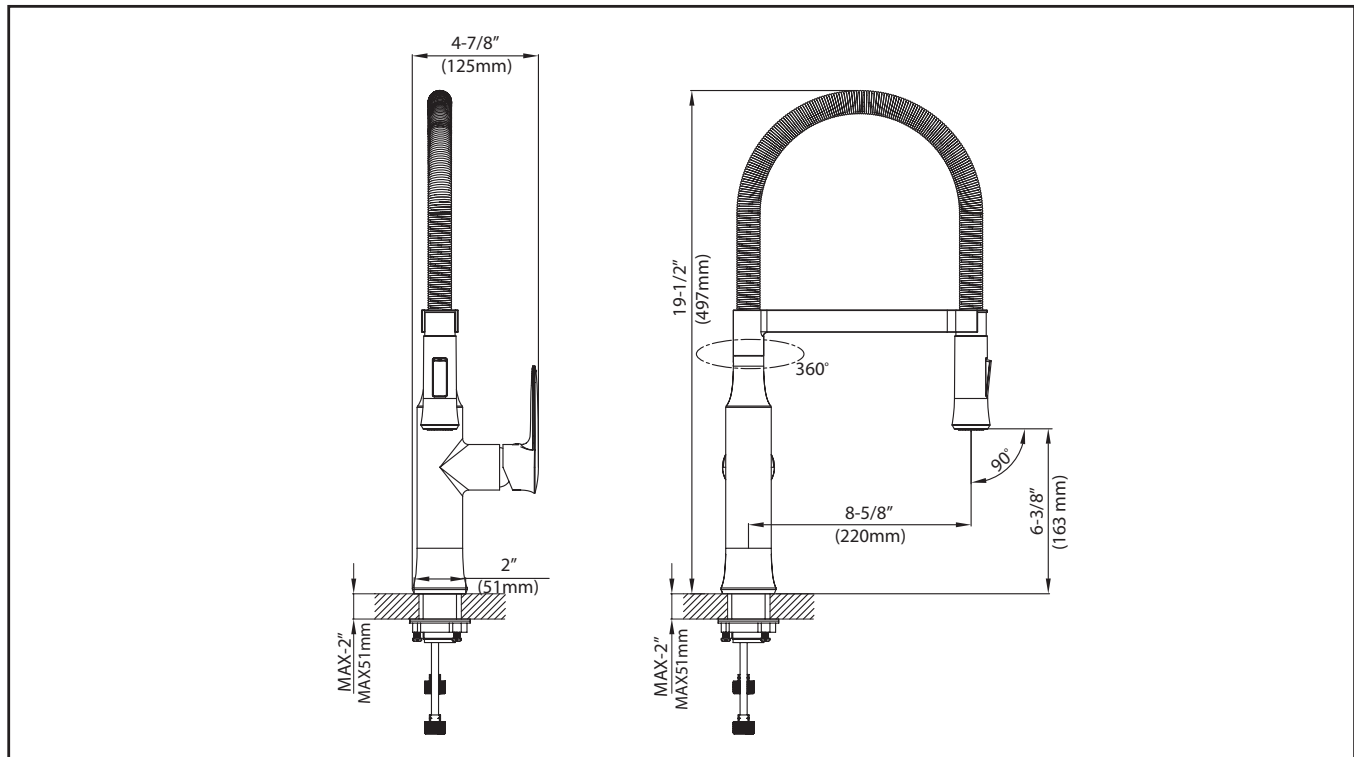
Faucet Dimensions: 19 1/2" x 8 5/8" x 2"  
Handle Clearance: 3 1/4"

## Accessories Included

Escutcheon Plate, Hex Wrench

Kraus Limited Lifetime Warranty: See website for details [www.kraususa.com](http://www.kraususa.com)

1.800.775.0703 / [customerservice@kraususa.com](mailto:customerservice@kraususa.com)



Codes/Standards: Meets ASME A112.18.1/CSA B125.1, NSF/ANSI Standard 61 certified by IAPMO, NSF/ANSI Standard 372 certified by IAPMO, CAL GREEN, CEC, ADA

REV. August 16, 2016