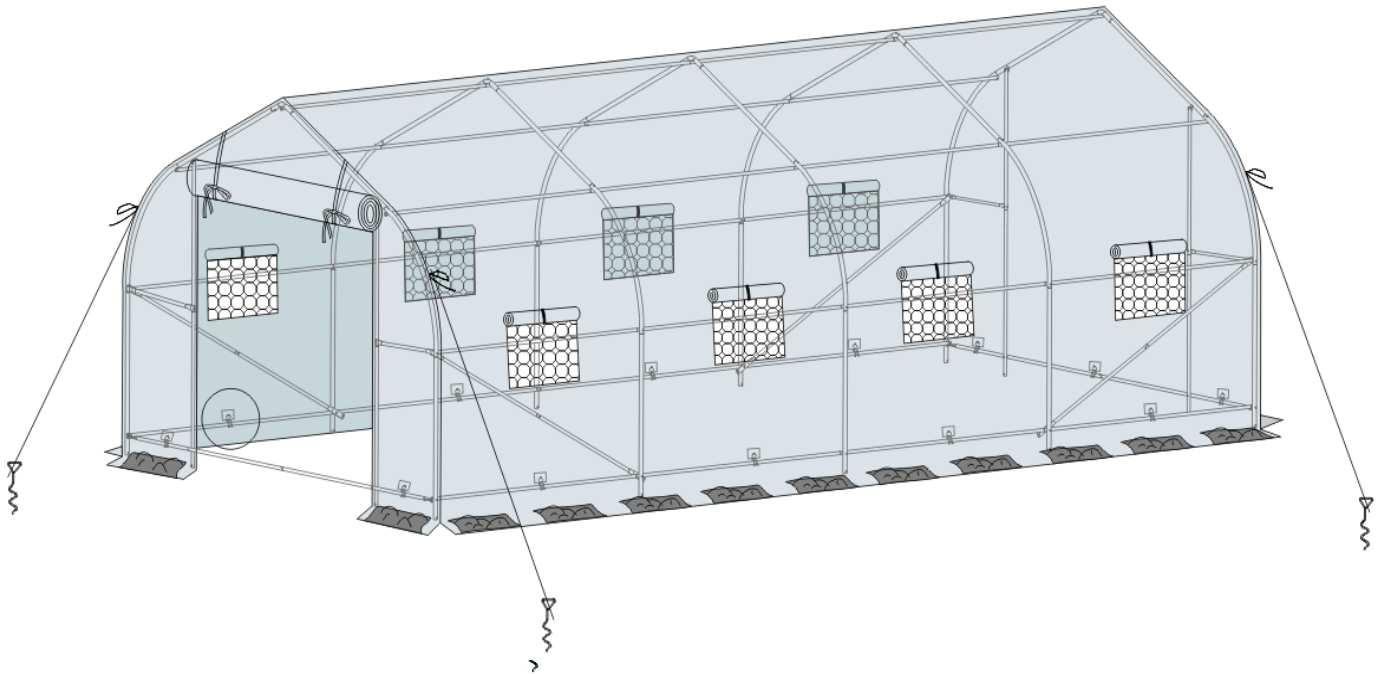




845-232

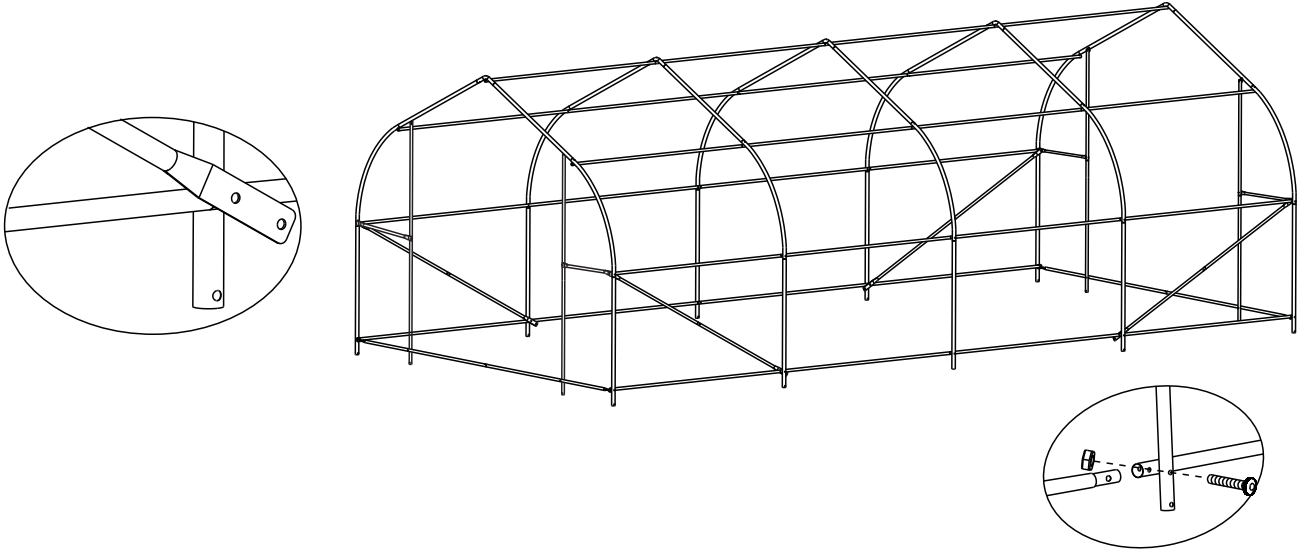


Please read these instructions and warranty information carefully before use and keep them properly for future reference.

OPERATING INSTRUCTIONS

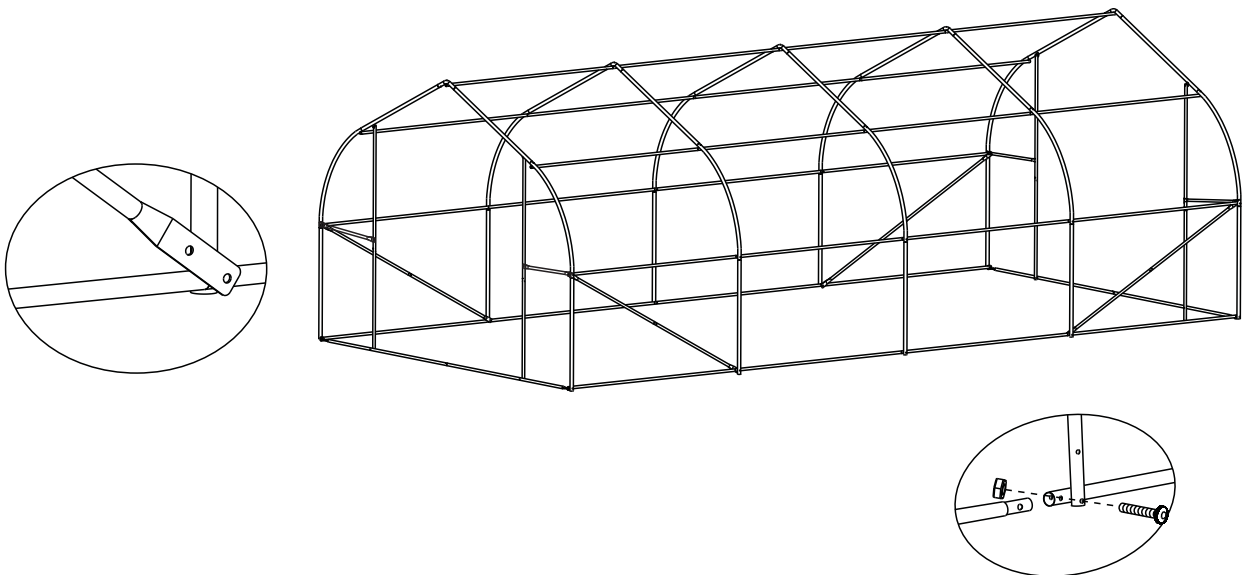
TYPE A

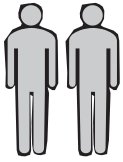
TYPE A: IT'S SUITABLE FOR BUILDING ON LAWN.



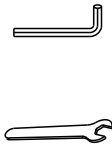
TYPE B

TYPE B: IT'S SUITABLE FOR BUILDING ON GROUND.





ASSEMBLY REQUIRED
2 PERSONS X 2HRS



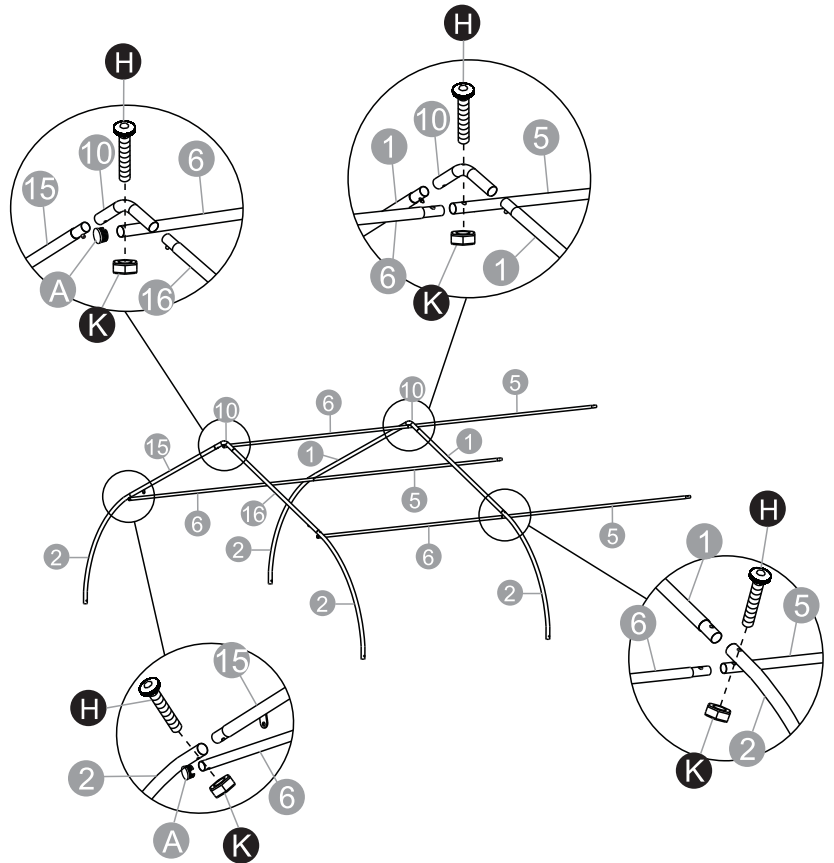
- 1 x6
- 2 x10
- 3 x10
- 4 x7
- 5 x14
- 6 x7
- 7 x2
- 8 x2
- 10 x5
- 11 x4
- 12 x4
- 13 x4
- 14 x4
- 15 x2
- 16 x2
- 17 x4

H x39 **K** x51

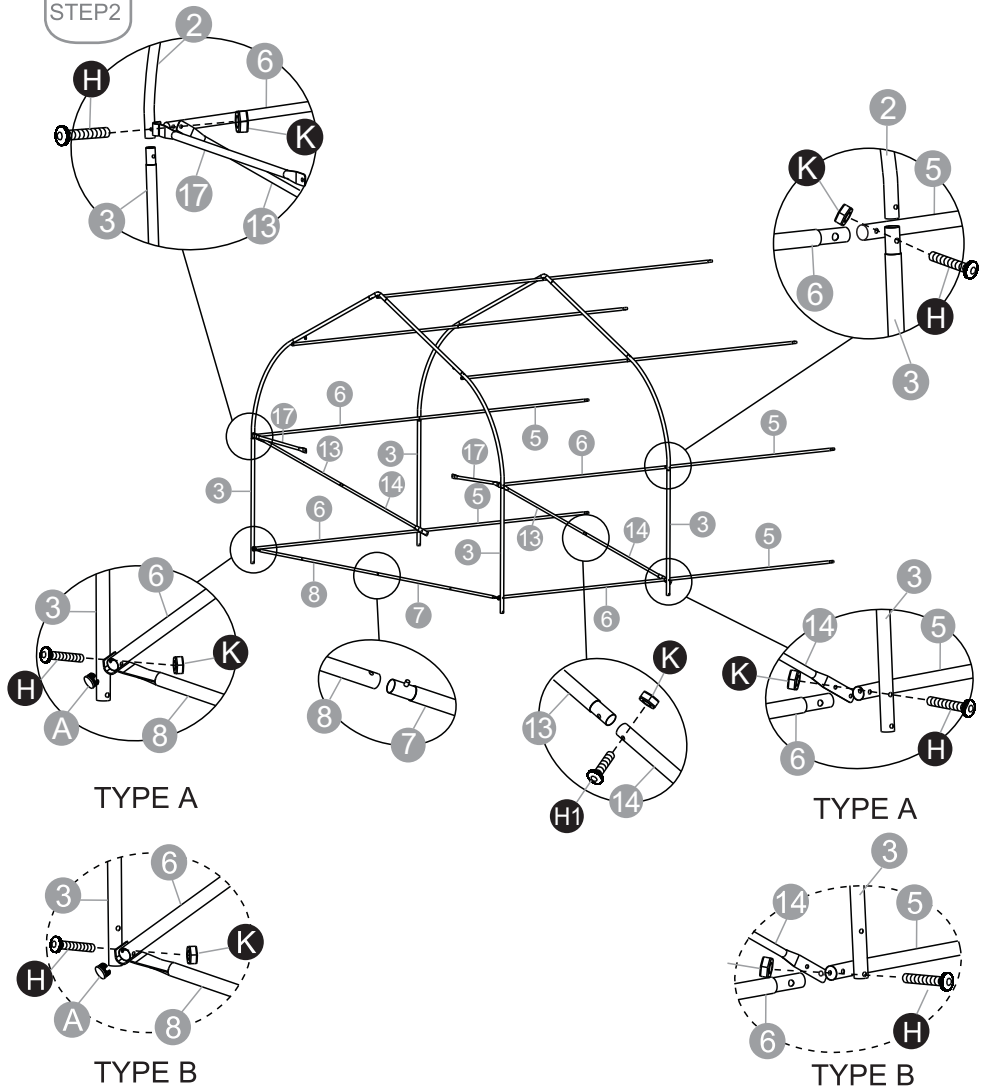
H1 x12

- A** x14
- B** x4
- C** x4
- D** x1
- E** x13
- F** x13
- G** x2

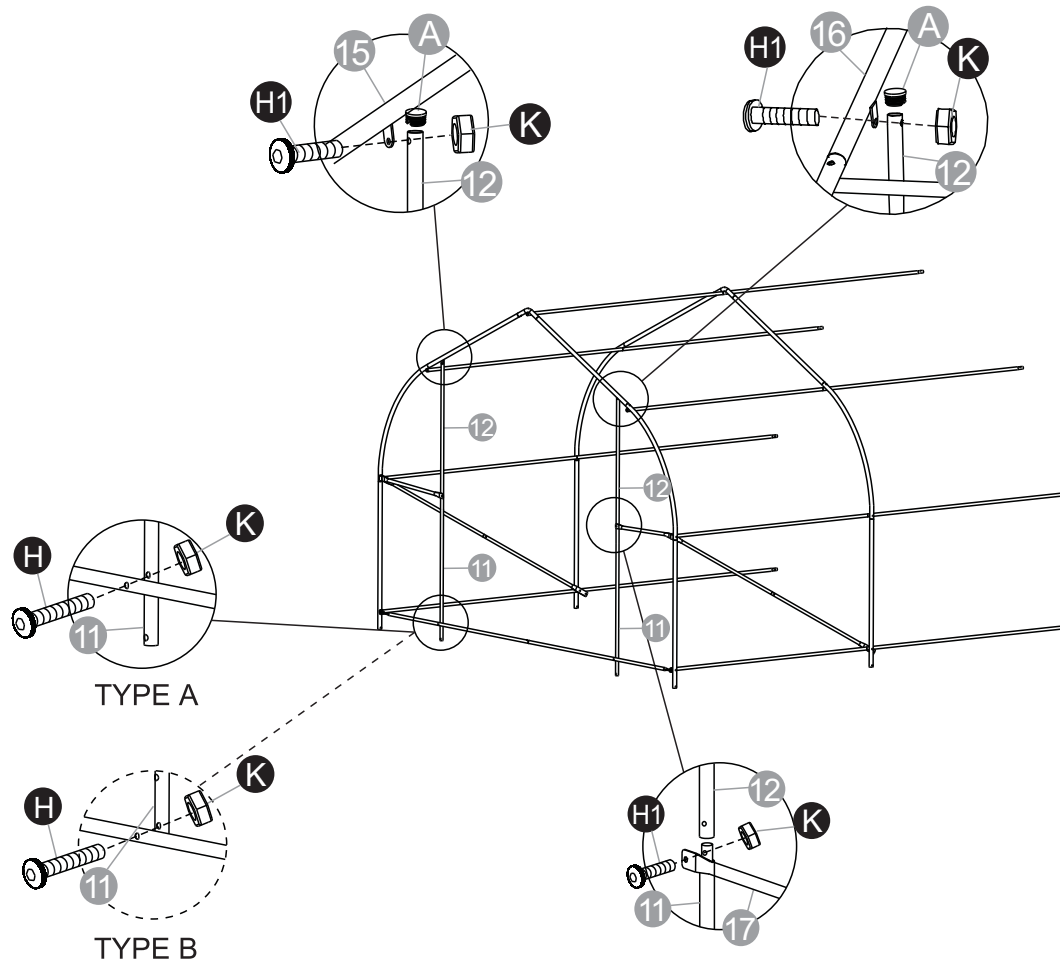
STEP1



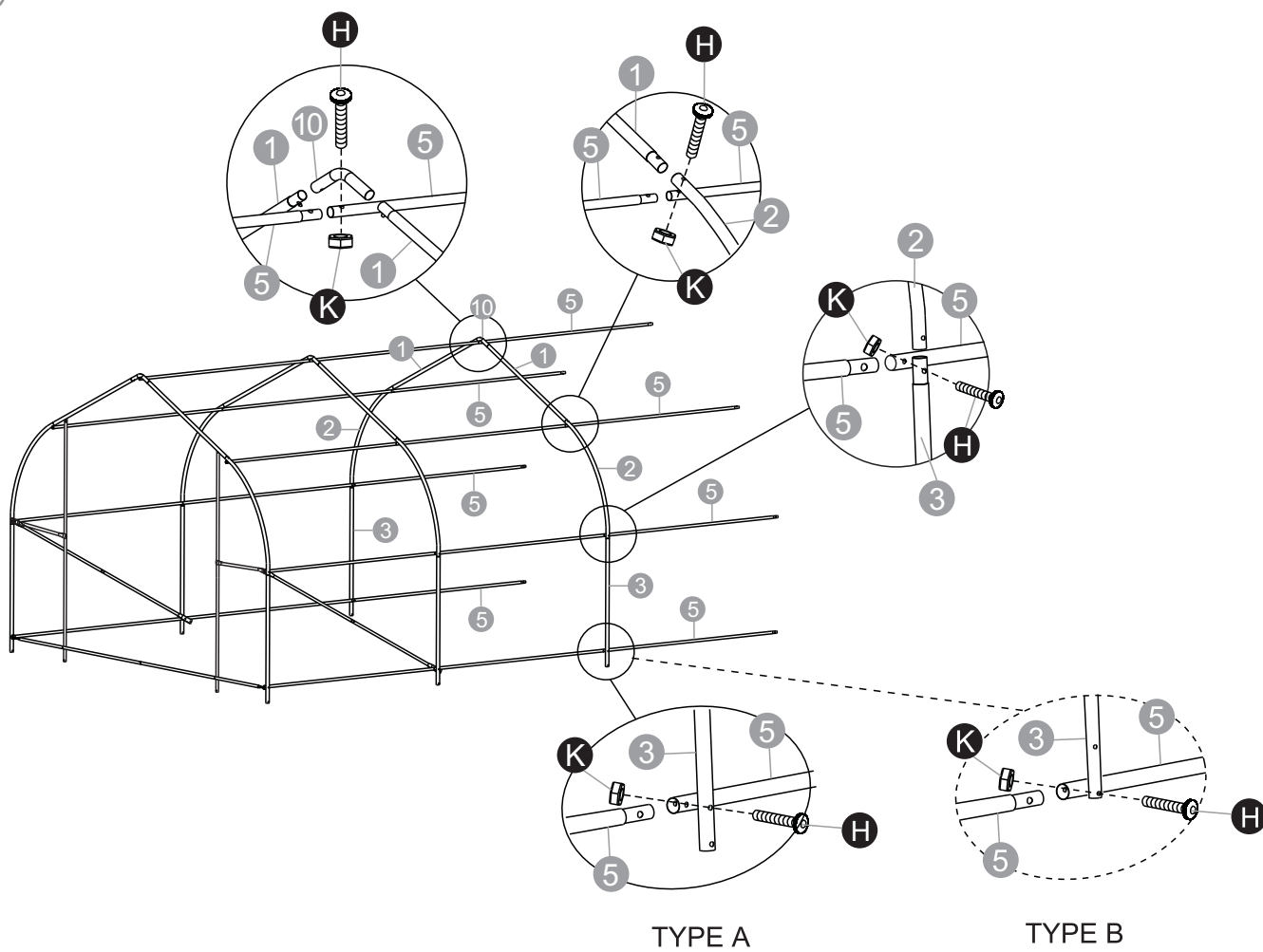
STEP2



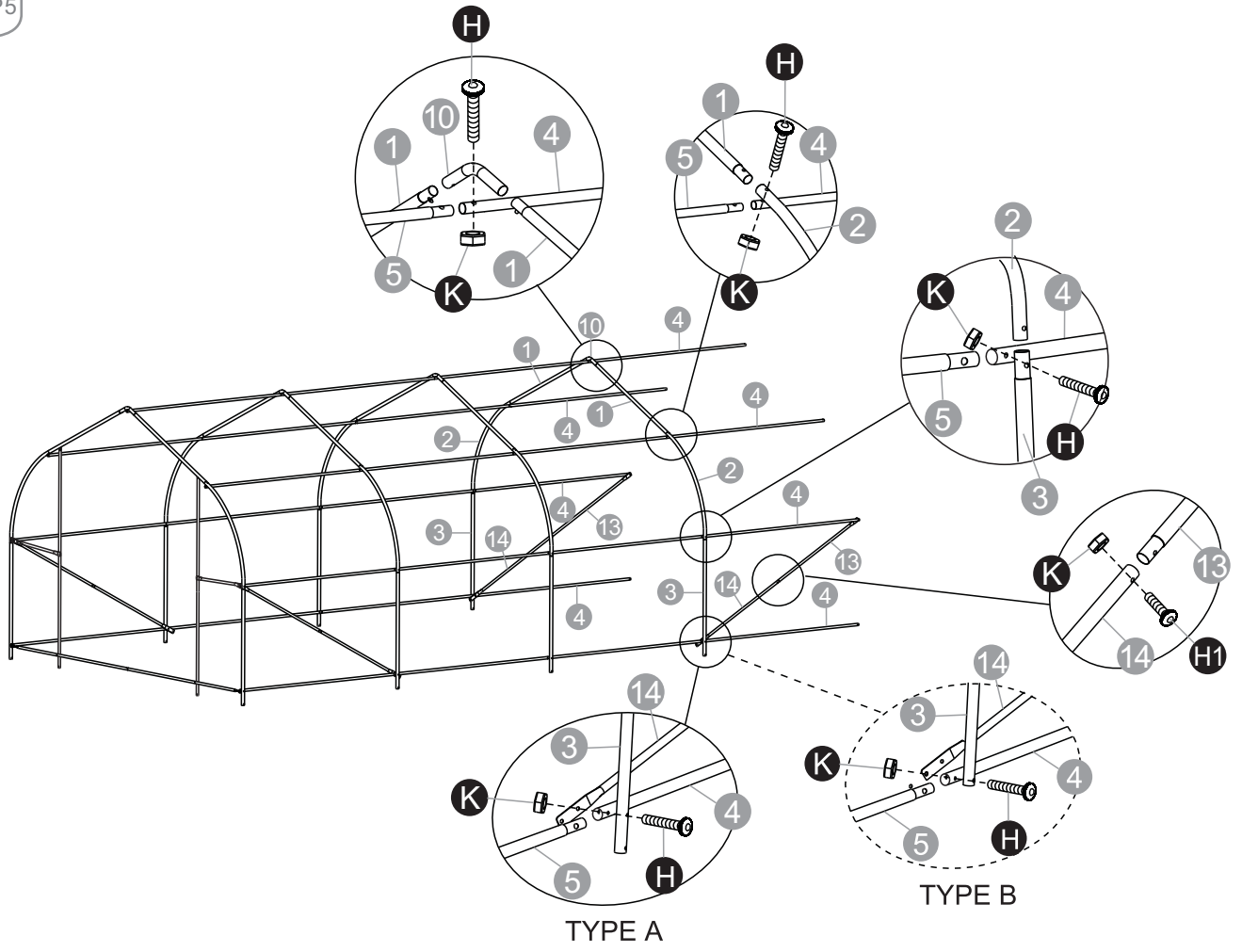
STEP3



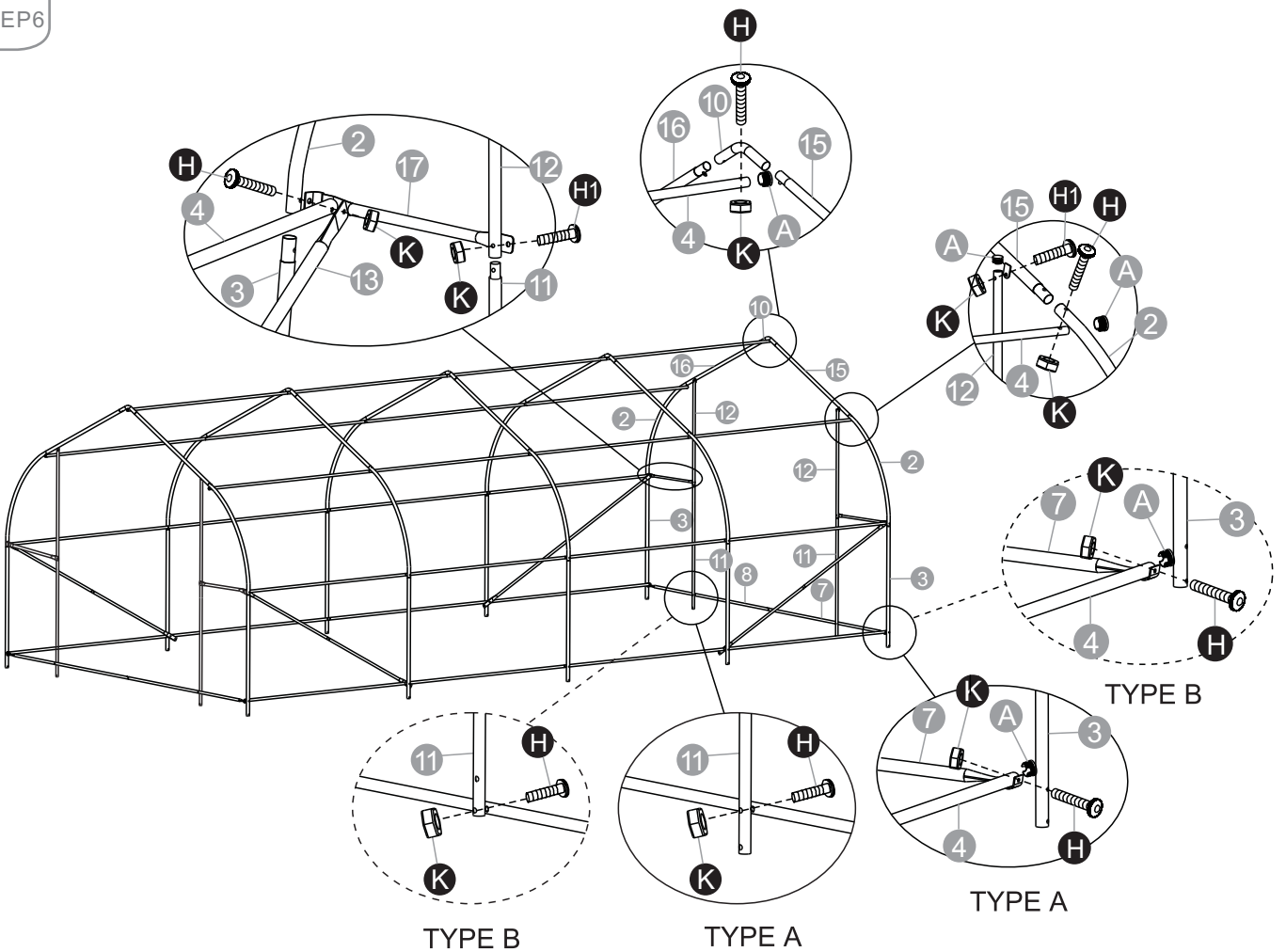
STEP4



STEP5

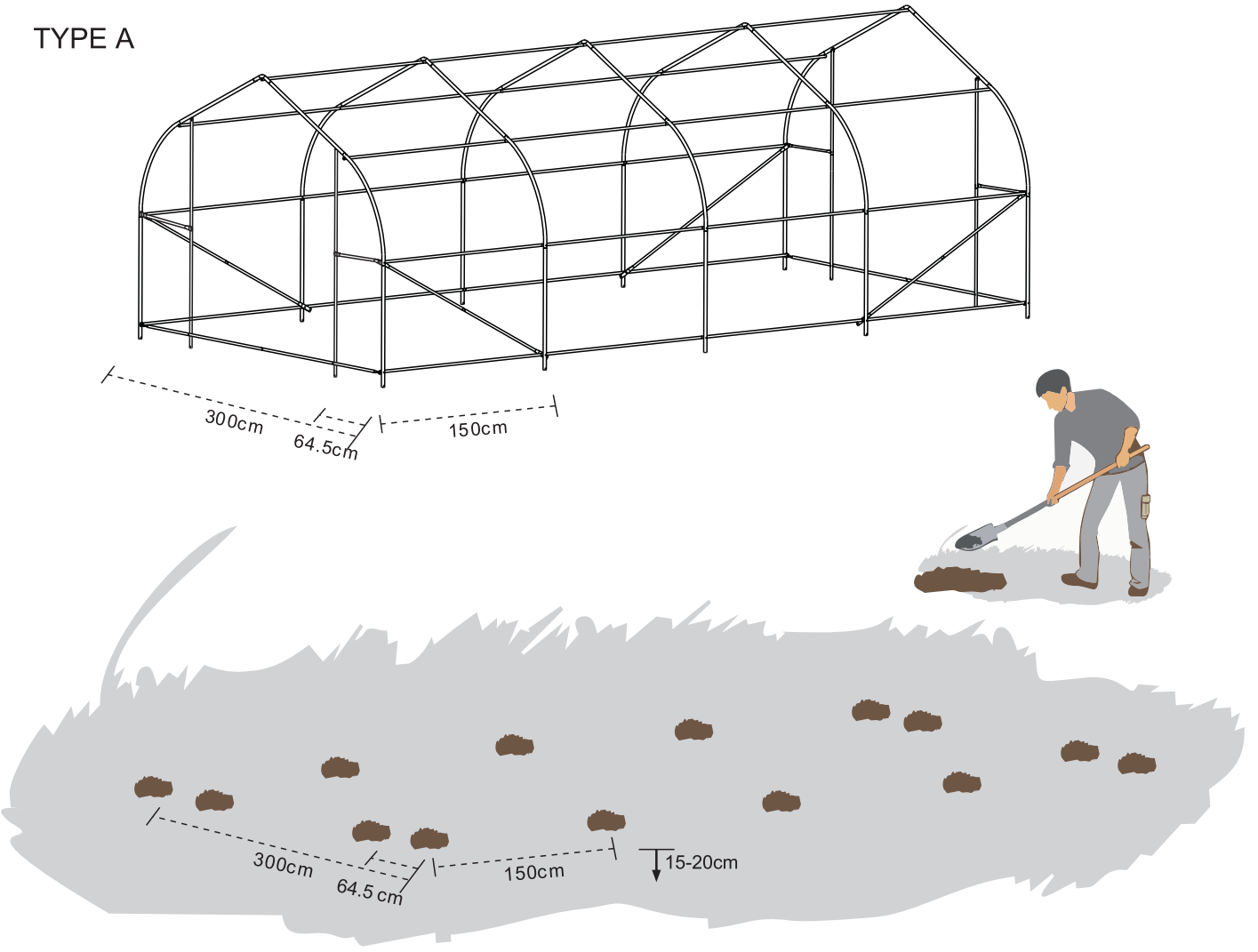


STEP6



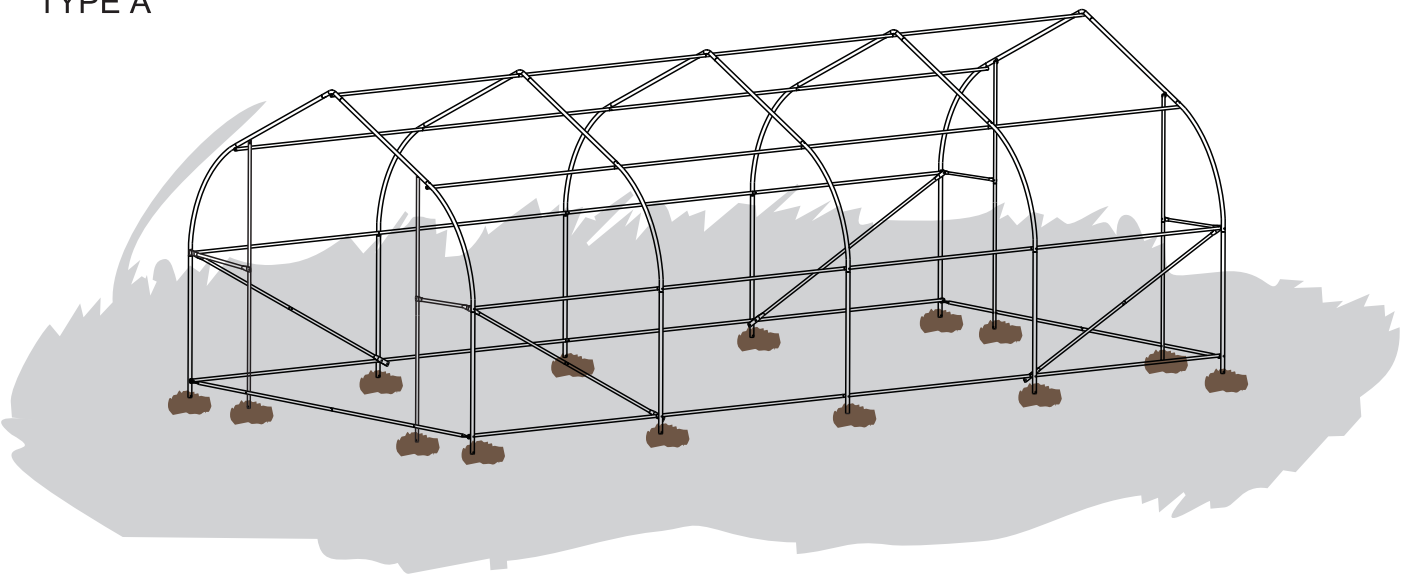
STEP7

TYPE A

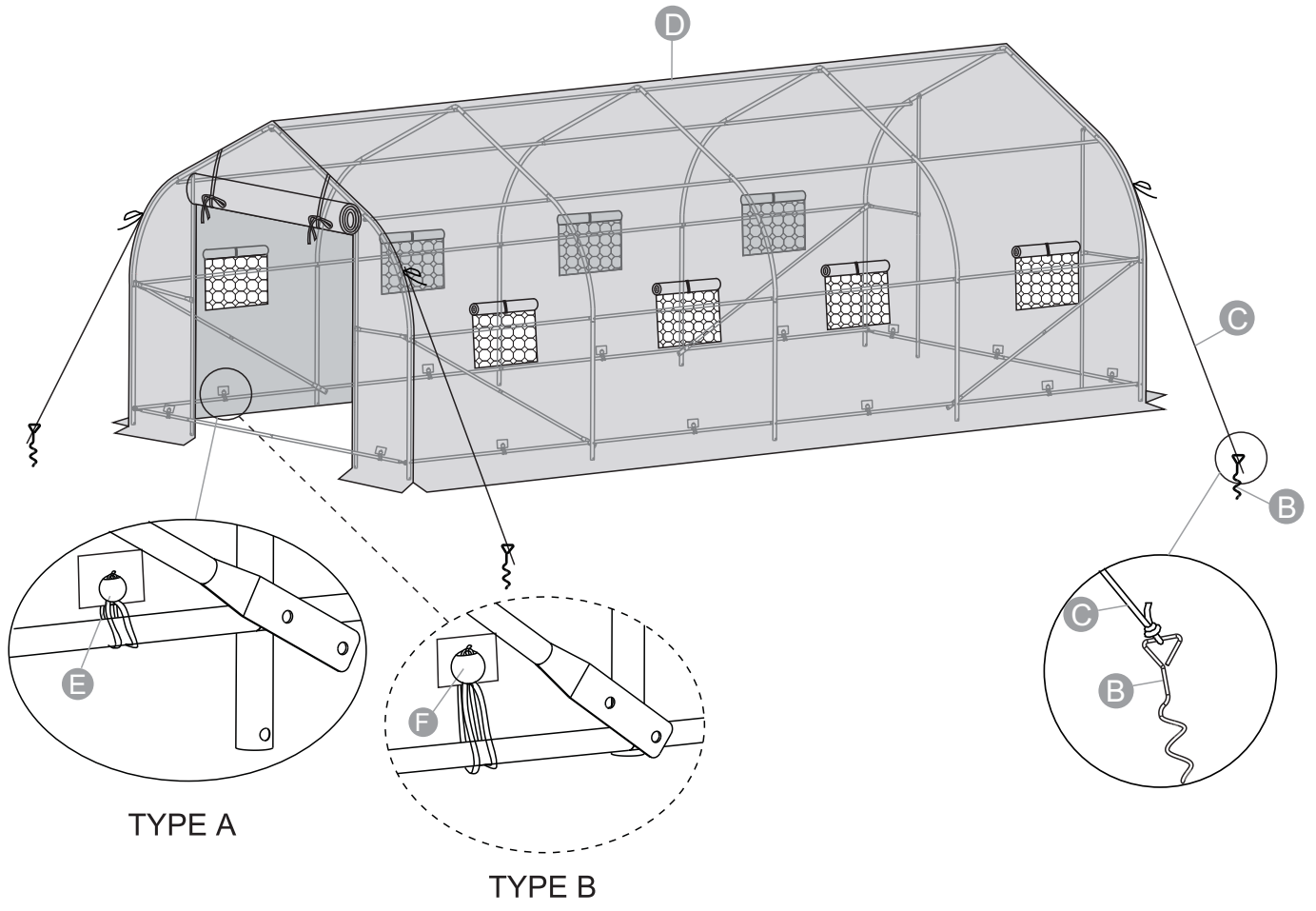


STEP8

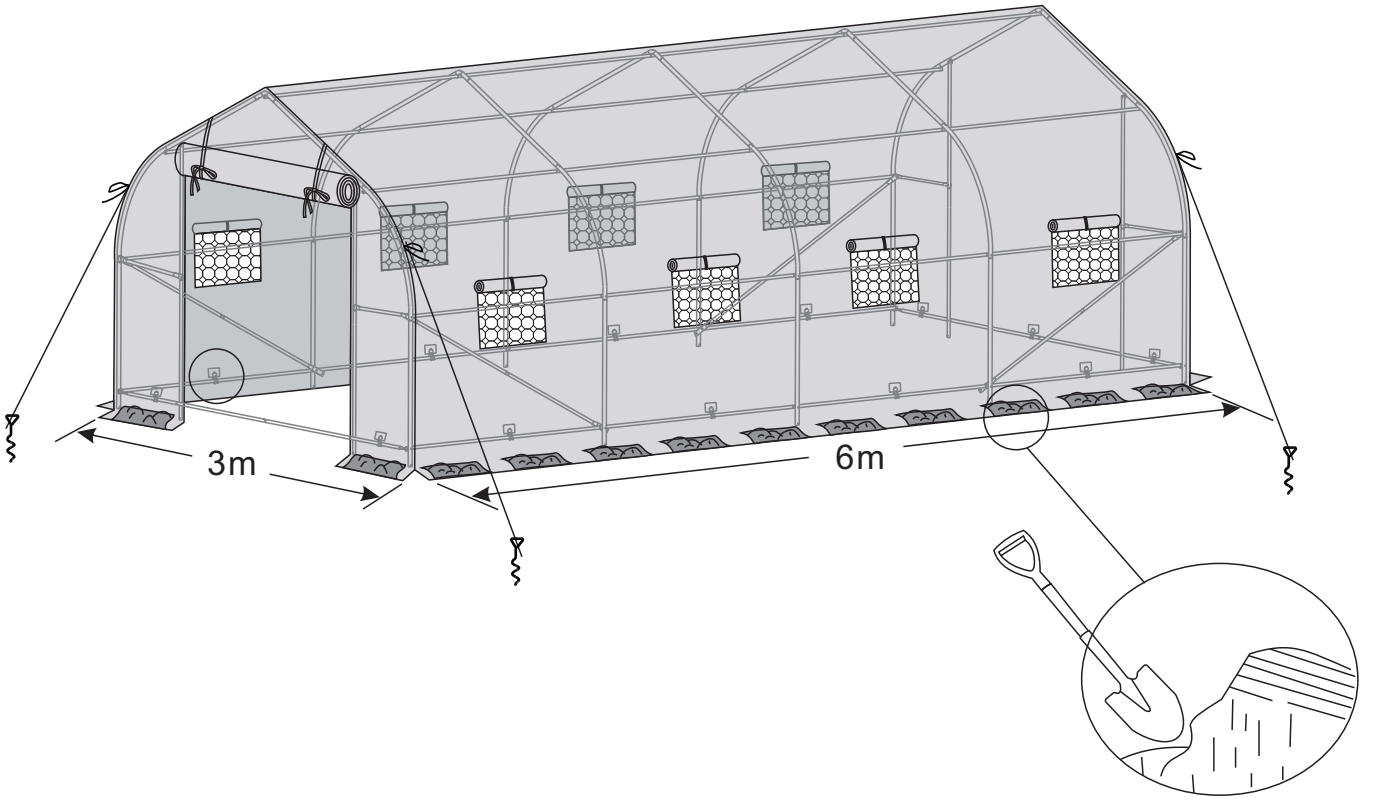
TYPE A



STEP9

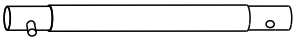

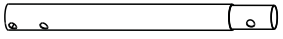
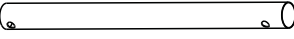



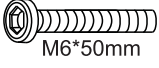


STEP10



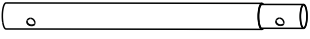
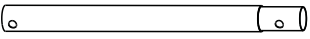
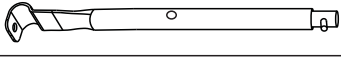
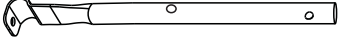
PACKING DETAILS: TOTAL 3 BOXES

BOX 1/3:

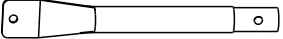


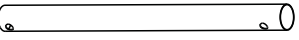
PART NO.	PARTS	QTY
1		x6
2		x10
3		x10
4		x7

PART NO.	PARTS	QTY
A		x6
B	 M6*50mm	x10
C	 M6*25mm	x10
D		x10

BOX 2/3:

PART NO.	PARTS	QTY
5		x14
6		x7
7		x2
8		x2

BOX 3/3:

PART NO.	PARTS	QTY
9		x4
10		x5
11		x4
12		x4