

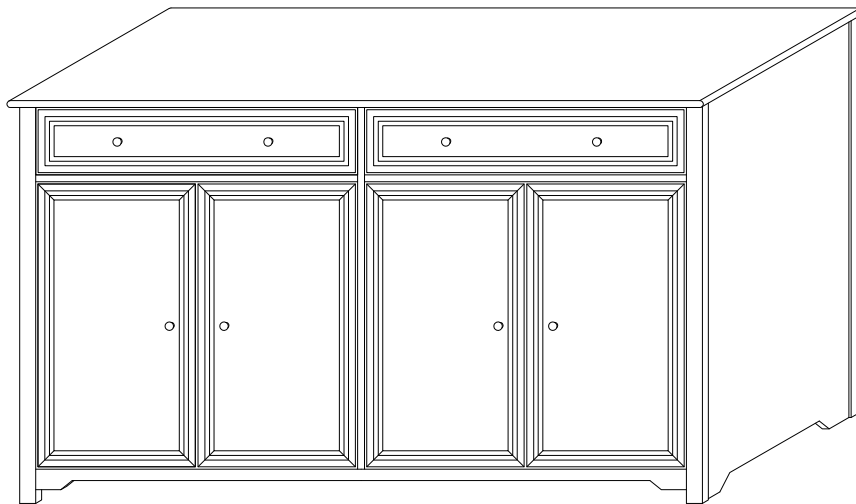
HOME DECORATORS COLLECTION

BF-24934 OXFORD BUFFET 35"H×60"W×16"D

INV#1002964320/1002964321/1002964331
1002964332/1002982218/1002982219

ASSEMBLY INSTRUCTIONS



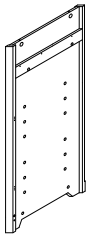
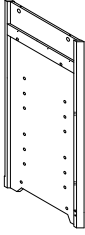
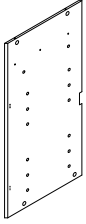



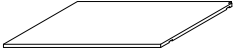

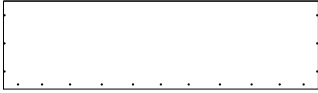
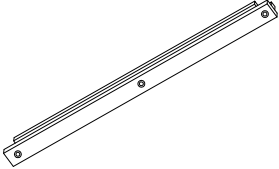
Made In China



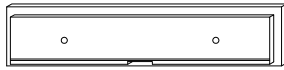
Thank you for purchasing this quality product. Be sure to check all packing material carefully for small parts, which may have come loose inside the carton during shipment. Count all parts and material hardware, then compare with parts list to be sure all parts are present. If any parts are missing or damaged, phone, fax, or mail to our Customer Service Department for efficient and speedy service. Please indicate the model number and code letter of part(s) needed.

IMPORTANT NOTE: Follow instructions listed below in proper sequence as numbered to assure fast, easy and correct assembly.

PARTS LIST

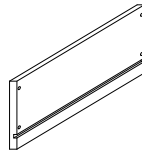
| | | |
|---|--|--|
| <p>A</p>  <p>TOP PANEL-1PC</p> | <p>B</p>  <p>BOTTOM PANEL-1PC</p> | <p>C</p>  <p>LEFT SIDE PANEL-1PC</p> |
| <p>D</p>  <p>RIGHT SIDE PANEL-1PC</p> | <p>E</p>  <p>STAND PANEL-1PC</p> | <p>F</p>  <p>LEFT ACROSS PANEL-1PC</p> |
| <p>G</p>  <p>RIGHT ACROSS PANEL-1PC</p> | <p>H</p>  <p>LEFT SHELVES-2PCS</p> | <p>I</p>  <p>RIGHT SHELVES-2PCS</p> |
| <p>J</p>  <p>UP ADORNING PANEL-1PC</p> | <p>K</p>  <p>BACK PANELS-2PCS</p> | <p>L</p>  <p>REAR PANEL GUIDE-1PC</p> |

M



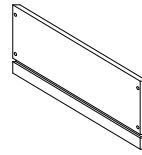
DRAWER PANEL FRONTS-2PCS

N



LEFT
DRAWER PANEL SIDES-2PCS

O



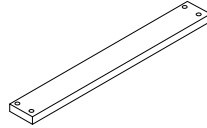
RIGHT
DRAWER PANEL SIDES-2PCS

P



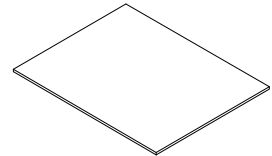
DRAWER PANEL BACKS-2PCS

Q



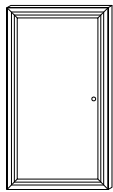
DRAWER
SUOPPORT PANELS-2PCS

R



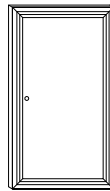
DRAWER
PANEL BOTTOMS-2PCS

S



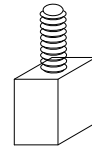
LEFT DOORS-2PCS

T






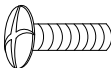
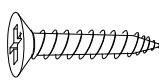
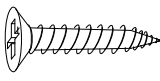
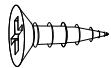
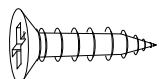
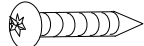
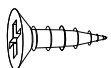
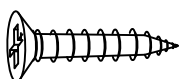
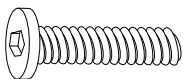
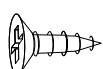
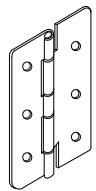
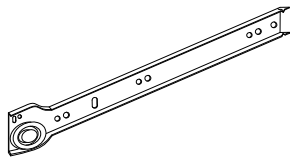
RIGHT DOORS-2PCS

U

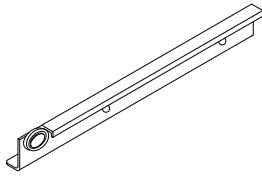


FOOT-1PC

HARDWARE LIST

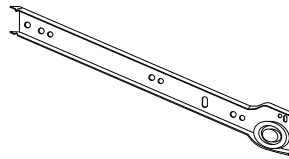
| | | |
|--|---|---|
| <p>V</p> <div style="text-align: center; margin: 10px 0;">  </div> <p style="text-align: center;">CAM-LOCKS-19PCS 8mm×5/8"</p> | <p>W</p> <div style="text-align: center; margin: 10px 0;">  </div> <p style="text-align: center;">CAM-BOLTS-19PCS 6mm×1"</p> | <p>X</p> <div style="text-align: center; margin: 10px 0;">  </div> <p style="text-align: center;">CAM-TOOL-1PC 6mm×3/4"</p> |
| <p>Y</p> <div style="text-align: center; margin: 10px 0;">  </div> <p style="text-align: center;">SCREWS-8PCS 6mm×3/8"</p> | <p>Z</p> <div style="text-align: center; margin: 10px 0;">  </div> <p style="text-align: center;">SCREWS-24PCS 6mm×3/4"</p> | <p>A1</p> <div style="text-align: center; margin: 10px 0;">  </div> <p style="text-align: center;">SCREWS-3PCS 6mm×1/2"</p> |
| <p>B1</p> <div style="text-align: center; margin: 10px 0;">  </div> <p style="text-align: center;">SCREWS-28PCS 5mm×3/8"</p> | <p>C1</p> <div style="text-align: center; margin: 10px 0;">  </div> <p style="text-align: center;">SCREWS-2PCS 7mm×7/8"</p> | <p>D1</p> <div style="text-align: center; margin: 10px 0;">  </div> <p style="text-align: center;">SCREWS-38PCS 11mm×1"</p> |
| <p>E1</p> <div style="text-align: center; margin: 10px 0;">  </div> <p style="text-align: center;">SCREWS-12PCS 5mm×1/2"</p> | <p>F1</p> <div style="text-align: center; margin: 10px 0;">  </div> <p style="text-align: center;">SCREWS-2PCS</p> | <p>G1</p> <div style="text-align: center; margin: 10px 0;">  </div> <p style="text-align: center;">SCREWS-8PCS</p> |
| <p>H1</p> <div style="text-align: center; margin: 10px 0;">  </div> <p style="text-align: center;">SCREWS-40PCS</p> | <p>I1</p> <div style="text-align: center; margin: 10px 0;">  </div> <p style="text-align: center;">HINGES-8PCS</p> | <p>J1</p> <div style="text-align: center; margin: 10px 0;">  </div> <p style="text-align: center;">LEFT OUTER SLIDERS-2PCS</p> |

K1



LEFT INNER SLIDES-2PCS

L1



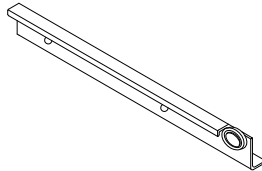
RIGHT OUTER SLIDERS-2PCS

M1



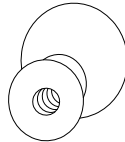
DOWELS-6PCS

N1



RIGHT INNER SLIDES-2PCS

O1



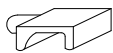
KNOBS-8PCS

P1



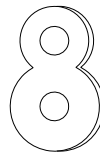
ALLEN WRENCH-1PC

Q1



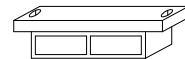
SHELF SUPPORTS-16PCS

R1



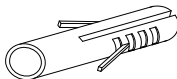
HOOKS-2PCS

S1



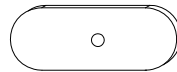
MAGNETS-2PCS

T1



GECKOS-2PCS

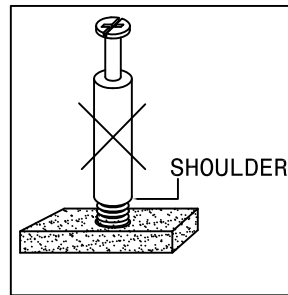
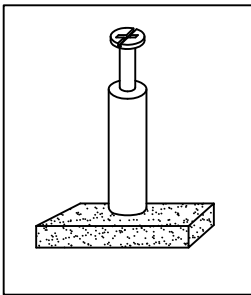
U1



FEMALE MAGNETS-4PCS

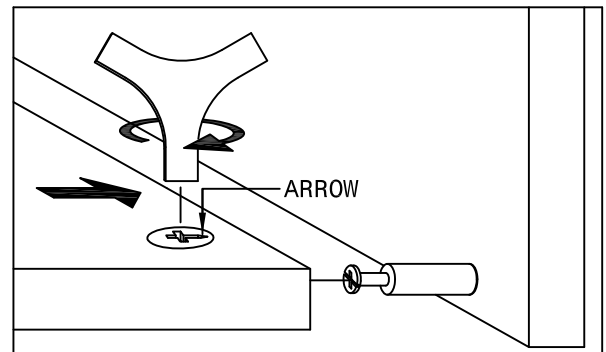
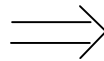
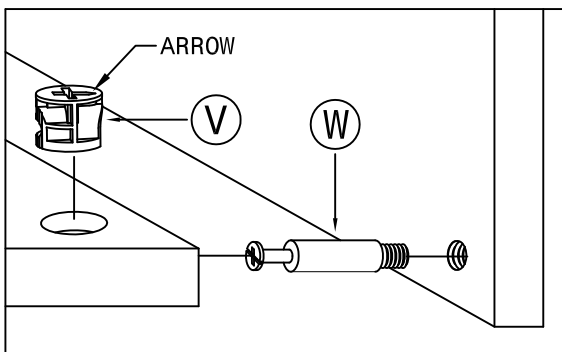
NOTE: THE SURFACE WITH THE STICKER IS THE BACK SIDE.

NOTE: • UPON OPENING, THOROUGHLY CLEAN ALL WOOD SURFACES TO REMOVE DUST AND DIRT THAT MAY HAVE SETTLED ONTO FINISH DURING SHIPMENT. IN ORDER TO PREVENT DAMAGE DURING ASSEMBLY, PLEASE ASSEMBLE THIS ITEM WITH AT LEAST TWO PEOPLE.



NOTE: TURN THE CAM-BOLT SCREWS UNTIL THEY ARE TIGHT, THE SHOULDER SHOULD BE AGAINST THE SURFACE OF THE PART.

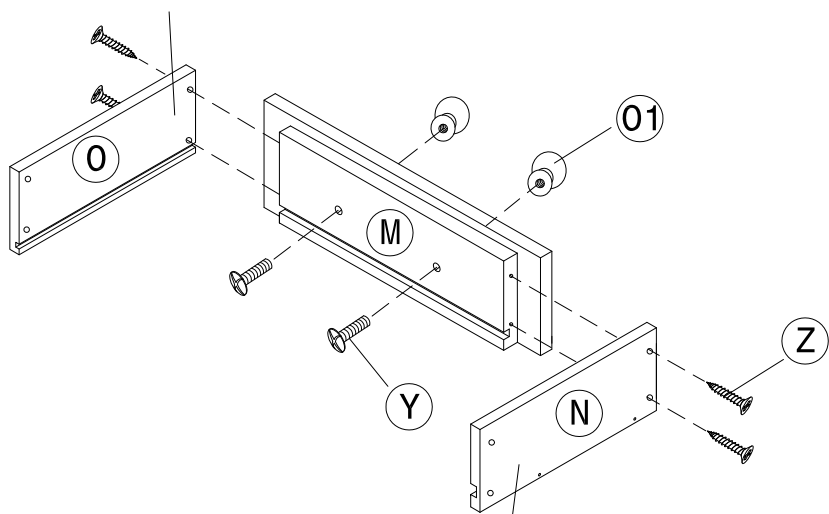
HOW TO USE THE CAM-TOOL



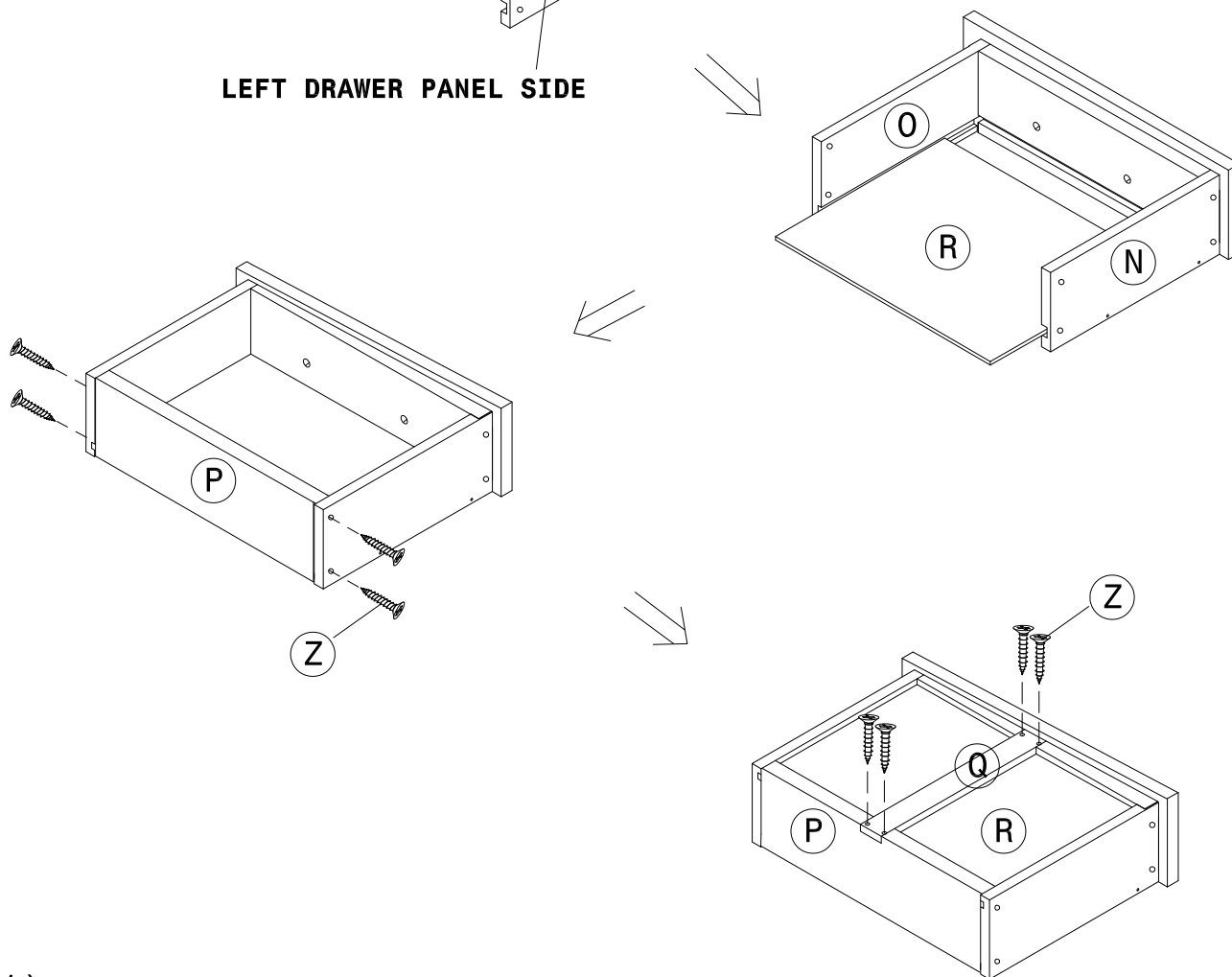
NOTE: • THE ARROWS ON THE HIDDEN CAM-LOCKS SHOULD POINT TO THE CAM-BOLTS

NOTE: Please do not mix up the right and left of drawer panel.

RIGHT DRAWER PANEL SIDE

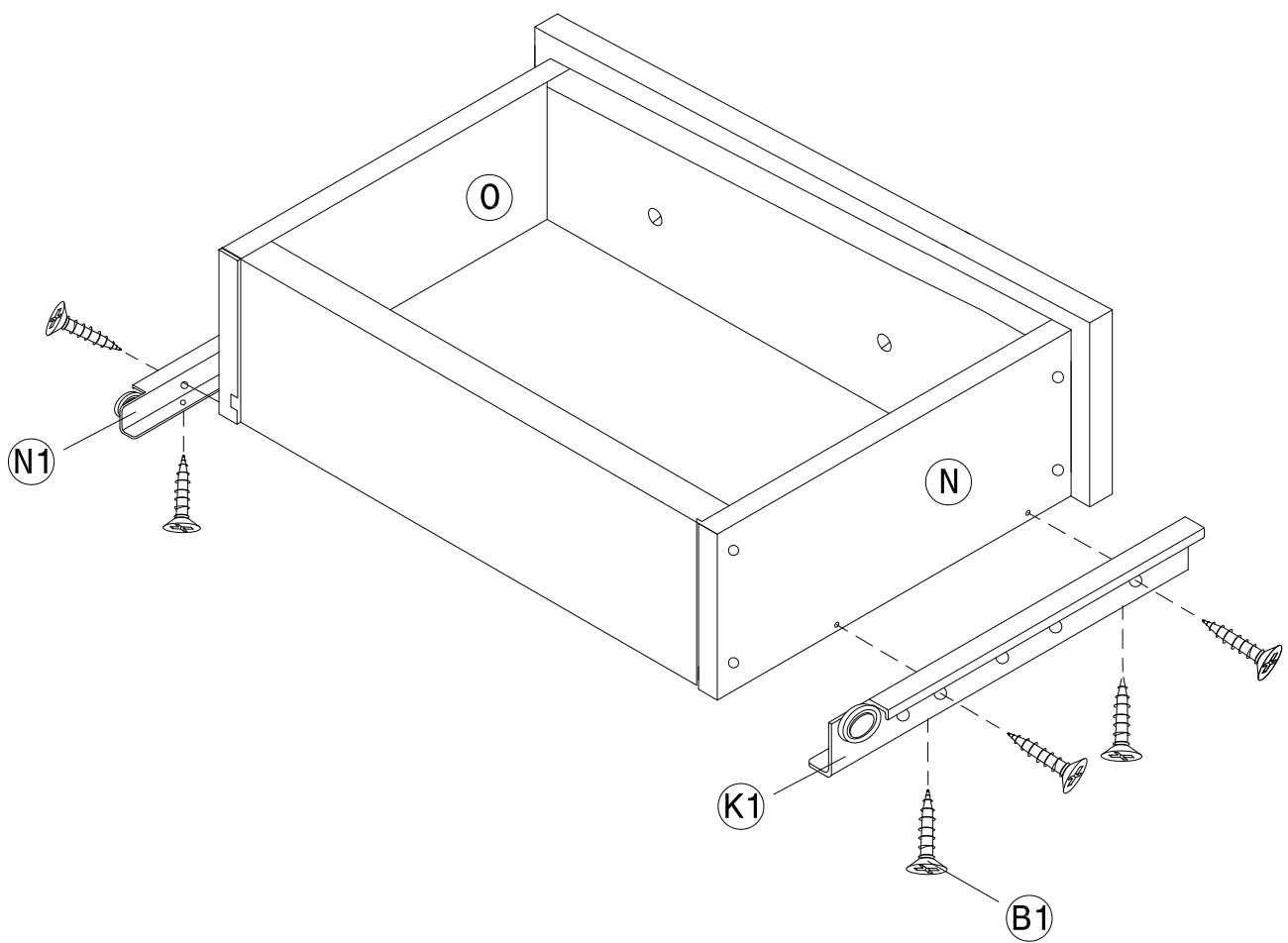


LEFT DRAWER PANEL SIDE



1) . ASSEMBLE THE DRAWER.

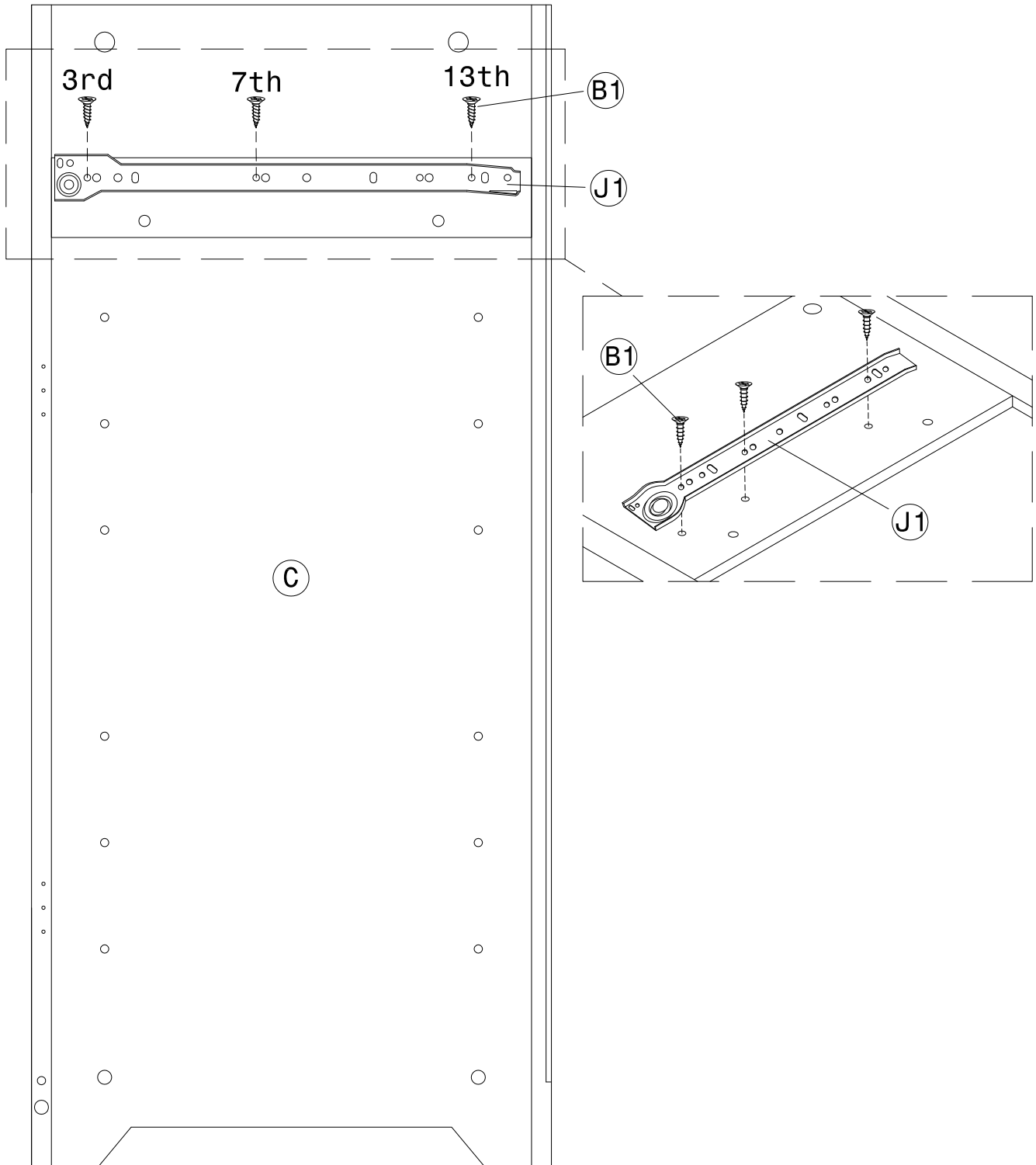
- ATTACH DRAWER SIDE PANEL(N/O) USING 4 SCREWS(Z).
- ATTACH THE 2 KNOBS(O1) TO DRAWER PANEL FRONT(M) USING 2 SCREWS(Y).
- INSERT THE DRAWER PANEL BOTTOM(R) INTO THE SLOTS IN THE DRAWER PANEL SIDES(N/O).
- ATTACH DRAWER PANEL BACK(P) TO BETWEEN LEFT DRAWER PANEL SIDE(N) AND RIGHT DRAWER PANEL SIDE(O) USING 4 SCREWS(Z).
- ATTACH DRAWER SUPPORT PANELS(Q) TO DRAWER PANEL BOTTOM(R) USING 4 SCREWS(Z).



2) . ASSEMBLE THE INNER SLIDERS(K1/N1) .

- ATTACH THE INNER SLIDERS(K1/N1) TO DRAWER PANEL SIDE(N/O) USING 8 SCREWS(B1) .

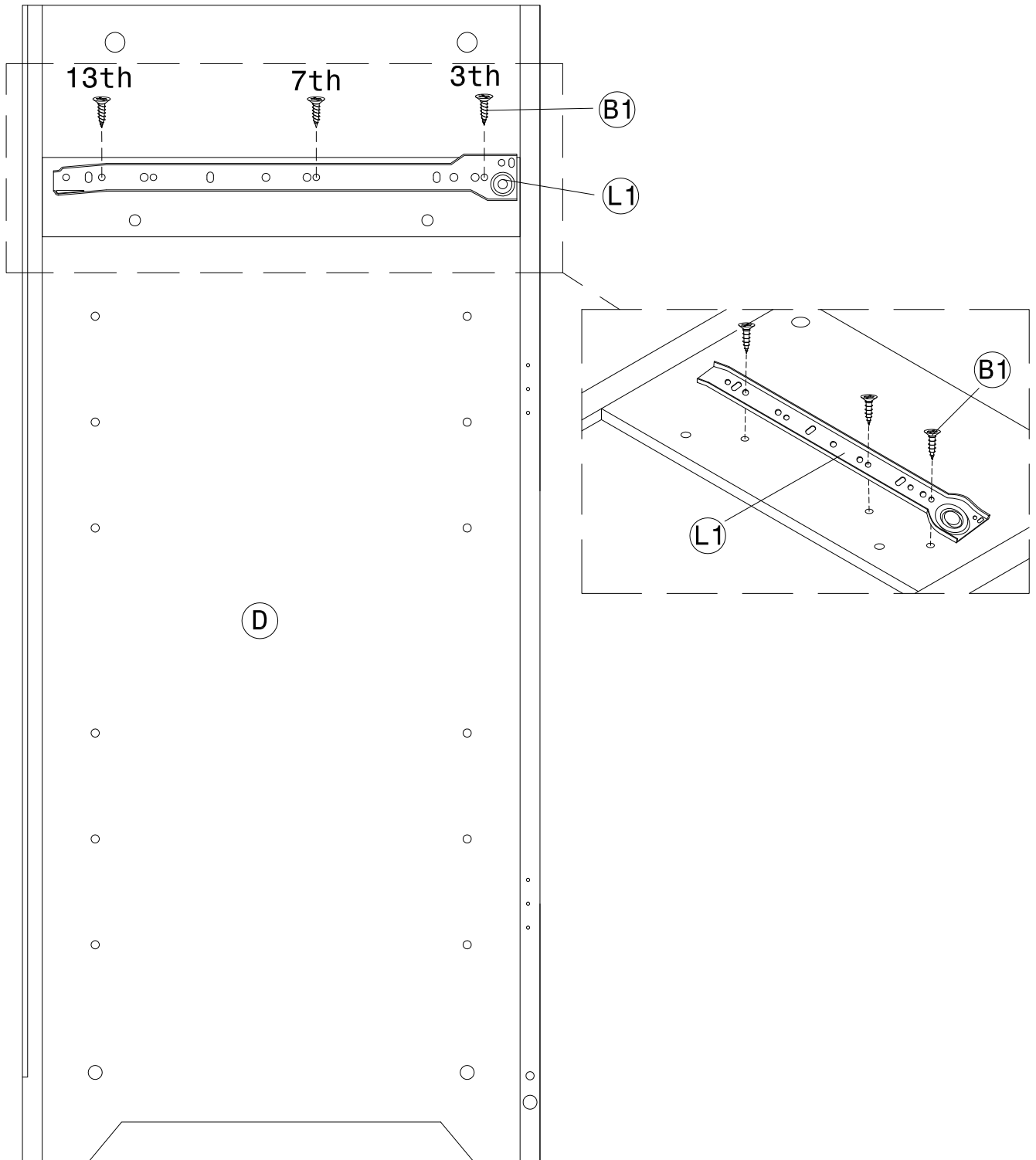
NOTE: Please don't mix up the left and right of outer slide and panel.



3) . ASSEMBLE THE LEFT OUTER SLIDER(J1) .

- ATTACH THE LEFT OUTER SLIDER(J1) TO LEFT SIDE PANEL(C) USING 3 SCREWS(B1) .

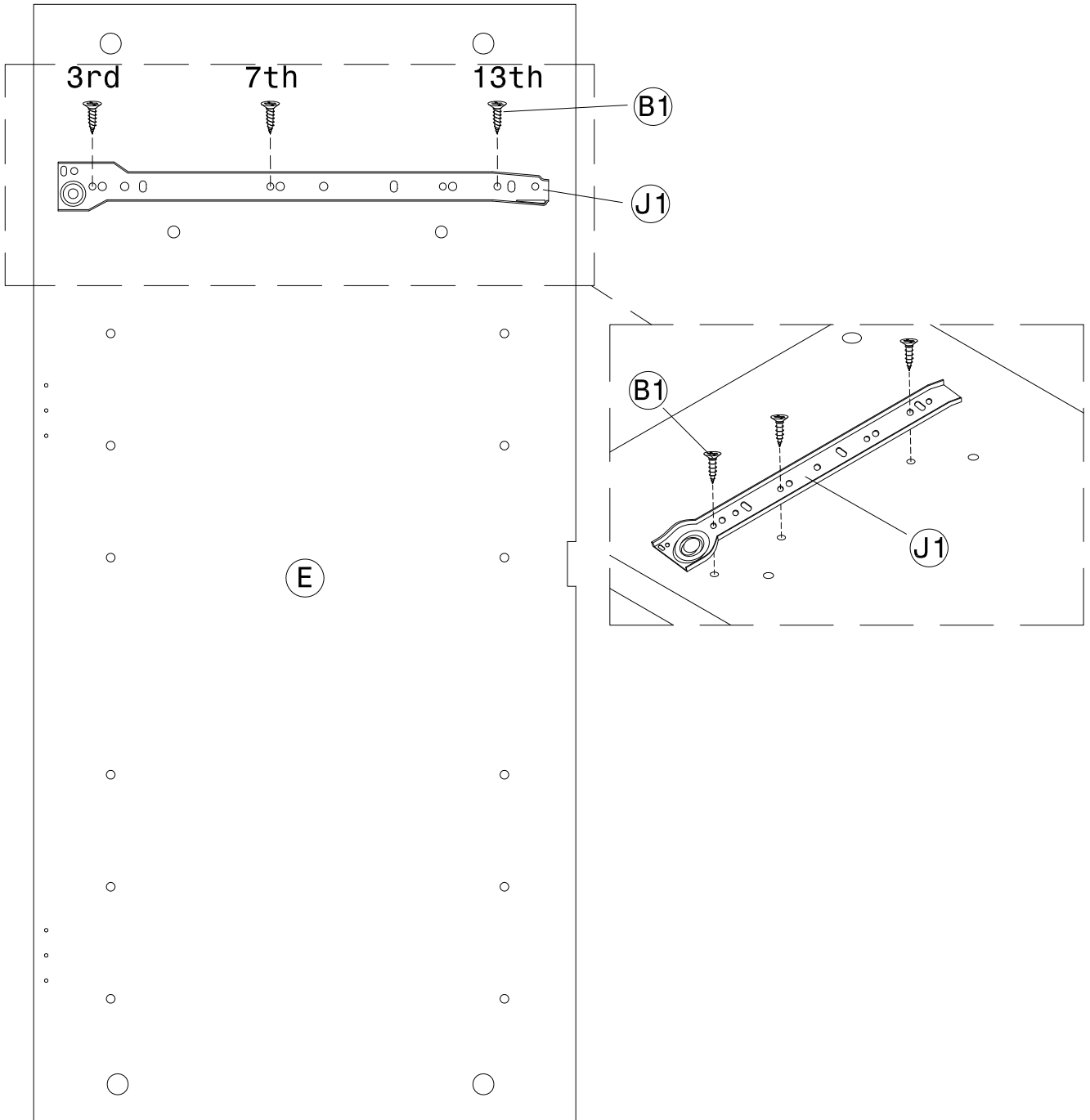
NOTE: Please don't mix up the left and right of outer slide and panel.



4) . ASSEMBLE THE RIGHT OUTER SLIDER(L1).

- ATTACH THE RIGHT OUTER SLIDER(L1) TO RIGHT SIDE PANEL(D) USING 3 SCREWS(B1).

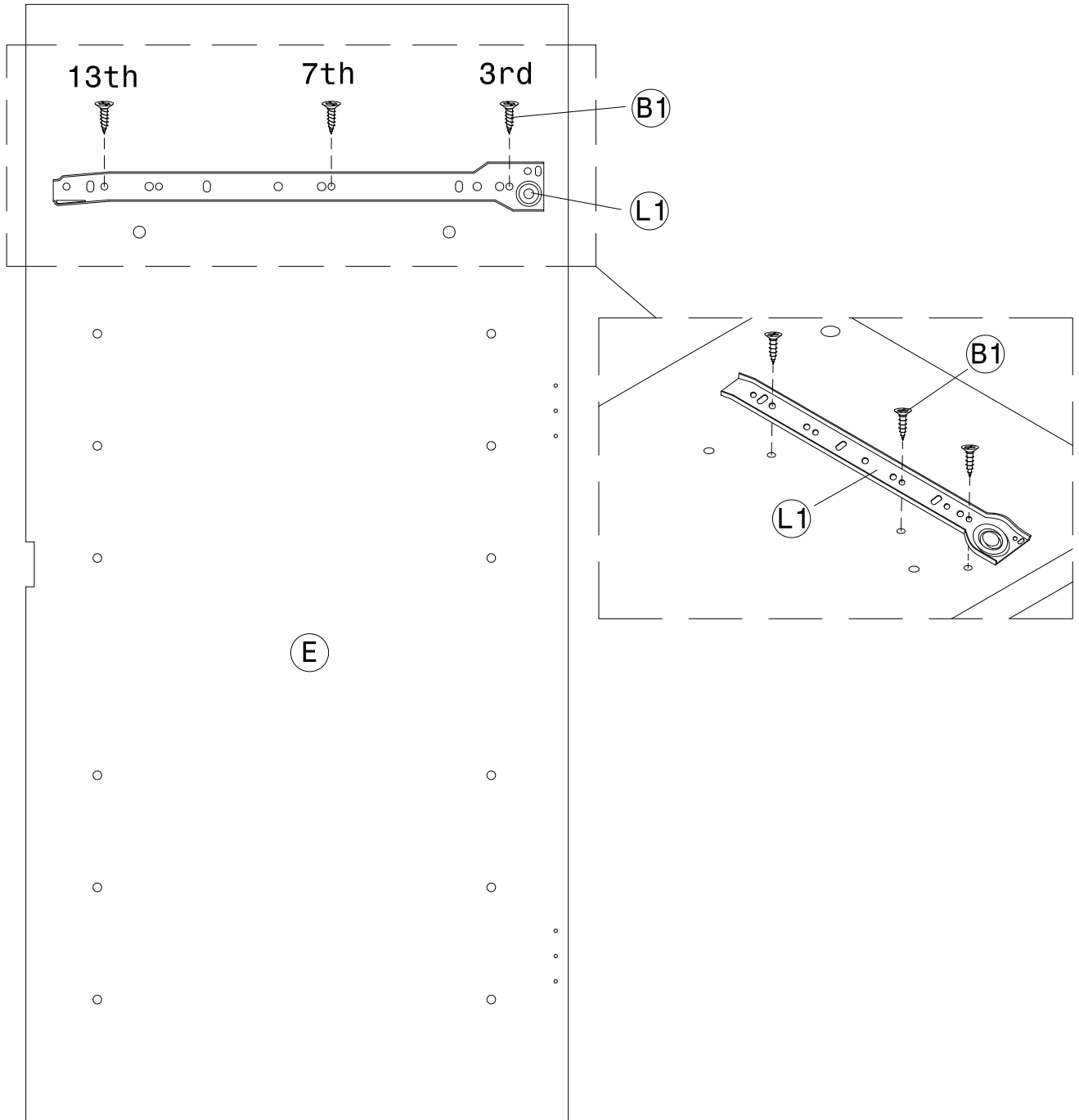
NOTE: Please don't mix up the left and right of outer slide and panel.



5) . ASSEMBLE THE LEFT OUTER SLIDERS(J1).

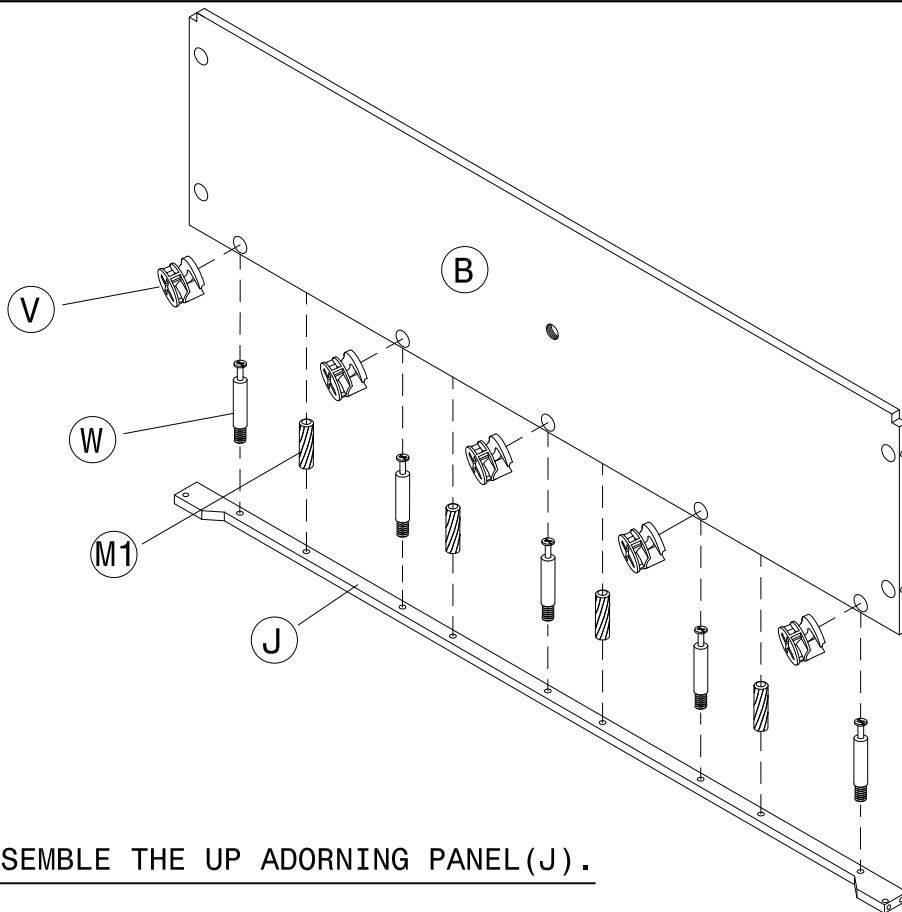
- ATTACH THE LEFT OUTER SLIDER(J1) TO STAND PANEL(E) USING 3 SCREWS(B1).

NOTE: Please don't mix up the left and right of outer slide and panel.



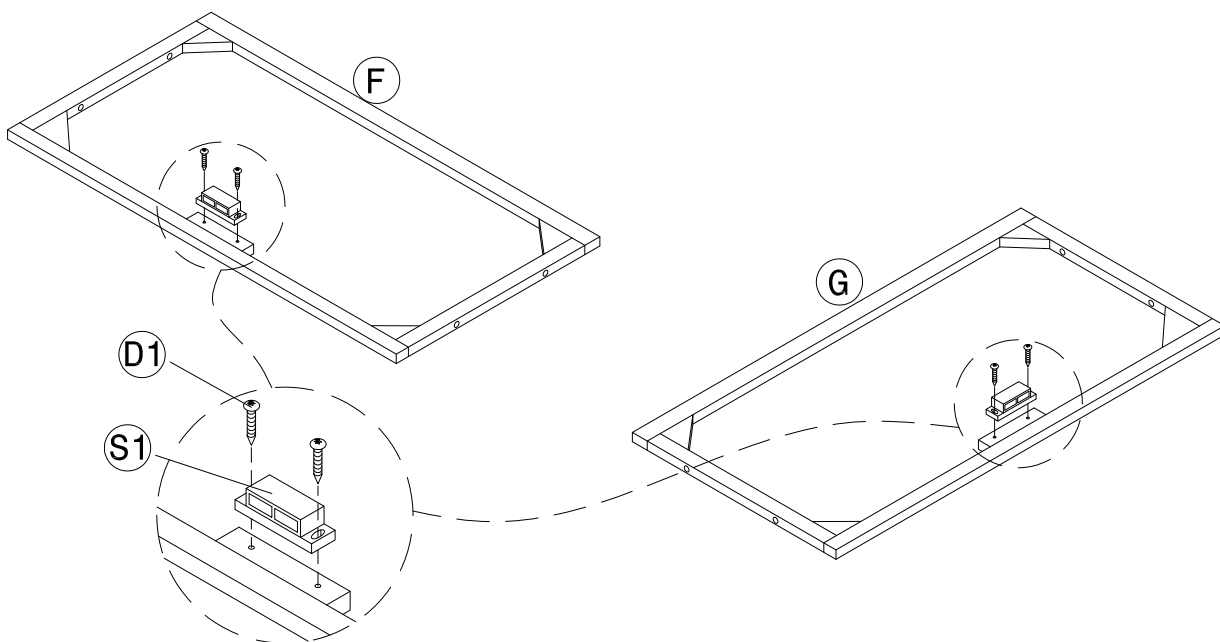
6) . ASSEMBLE THE RIGHT OUTER SLIDERS(L1).

- ATTACH THE RIGHT OUTER SLIDER(O1) TO STAND PANEL(E) USING 3 SCREWS(B1).



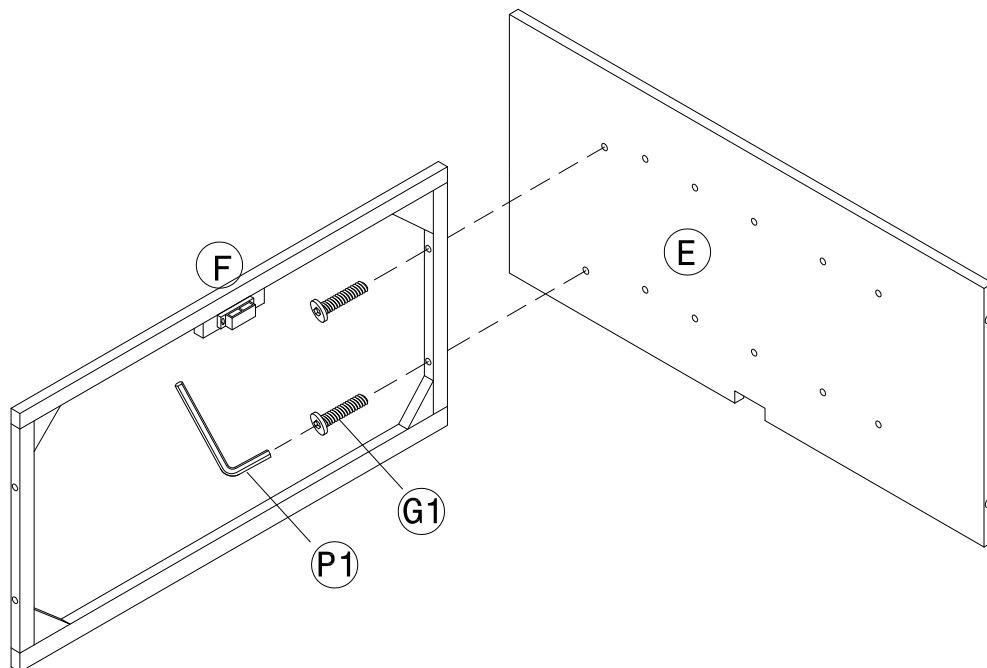
7) . ASSEMBLE THE UP ADORNING PANEL (J) .

- ROTATE THE 5 CAM-BOLTS(W) AND INSERT 4 DOWELS(M1) INTO THE HOLES IN THE UP ADORNING PANEL(J) .
- PLACE CAM-BOLTS(W) INTO THE HOLES IN THE BOTTOM PANEL(B) AND ATTACH USING 5 CAM-LOCKS(V) .



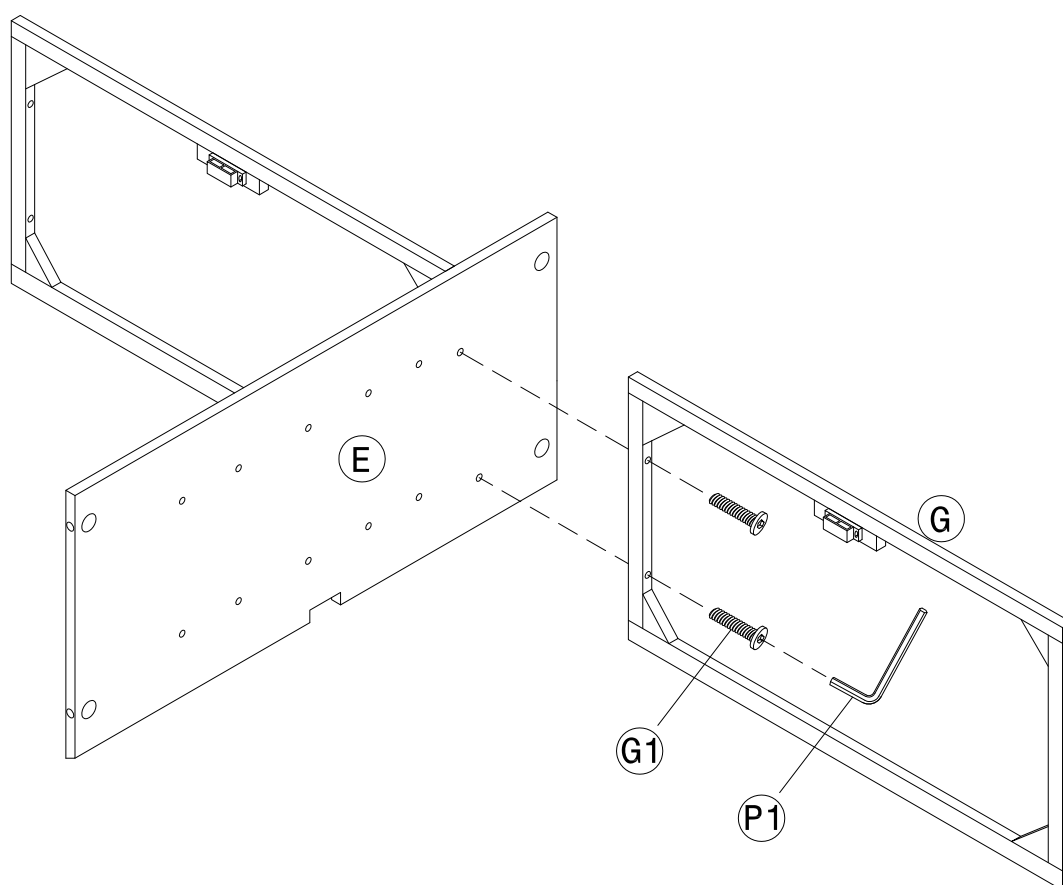
8) . ASSEMBLE THE MAGNETS(S1) .

- ATTACH THE 2 MAGNETS(S1) TO ACROSS PANEL(F/G) USING 4 SCREWS(D1) .



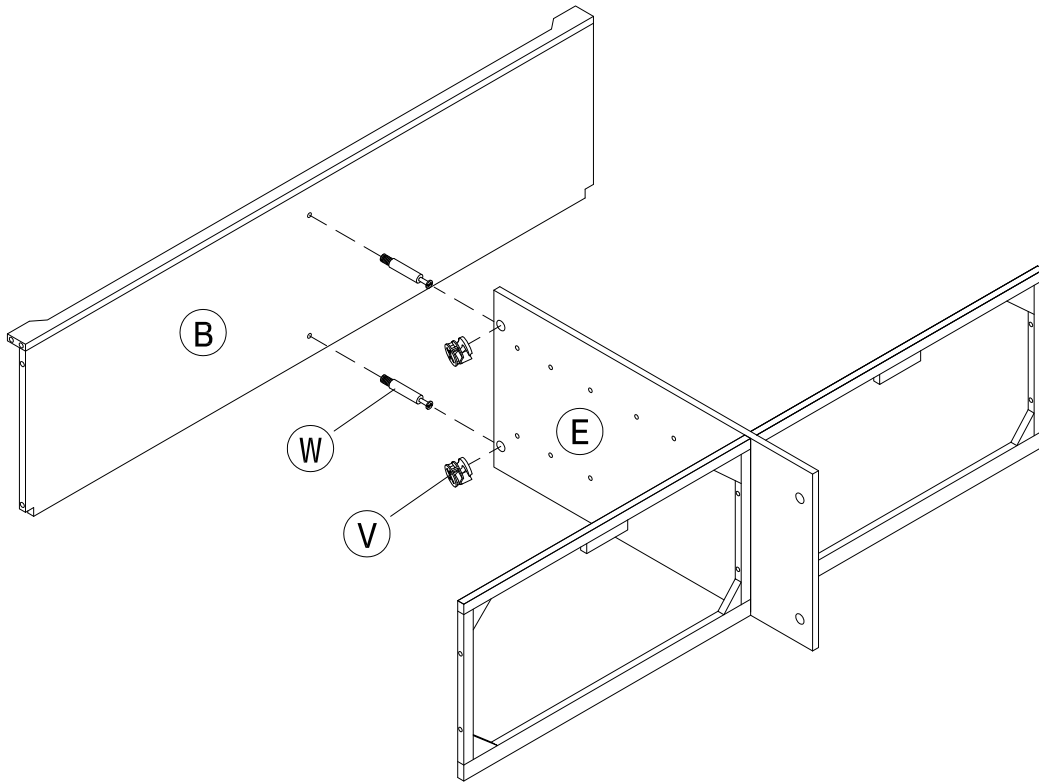
9) . ASSEMBLE THE LEFT ACROSS PANEL (F) .

- ATTACH THE LEFT ACROSS PANEL (F) TO STAND PANEL (E) USING 2 SCREWS (G1) .



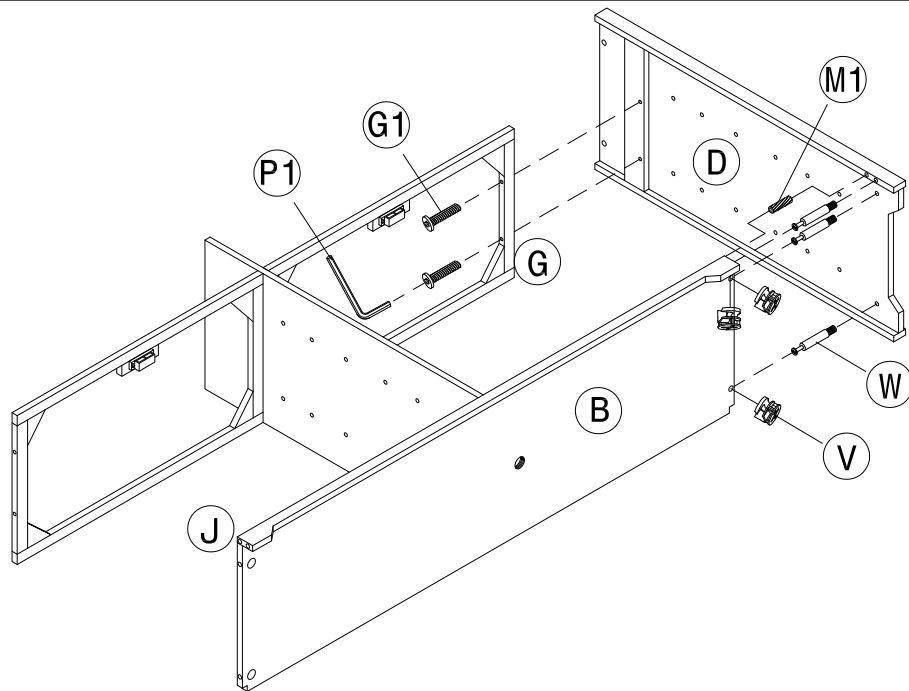
10) . ASSEMBLE THE RIGHT ACROSS PANEL (G) .

- ATTACH THE RIGHT ACROSS PANEL (G) TO STAND PANEL (E) USING 2 SCREWS (G1) .



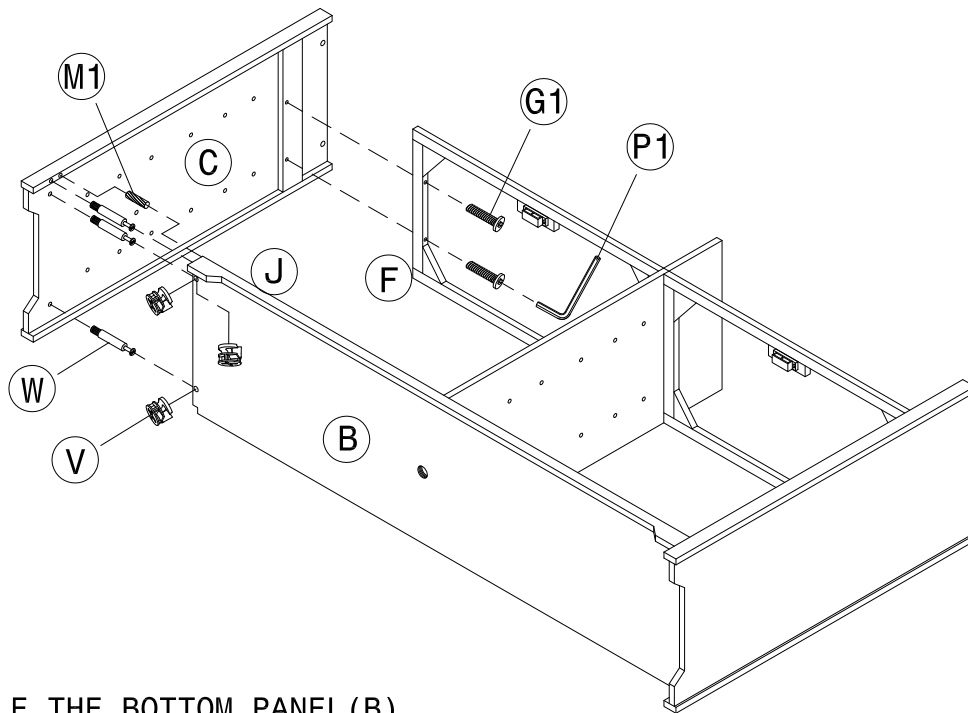
11) . ASSEMBLE THE BOTTOM PANEL (B) .

- ROTATE THE 2 CAM-BOLTS(W) INTO THE HOLES IN THE BOTTOM PANEL (B) .
- PLACE CAM-BOLTS(W) INTO THE HOLES IN THE STAND PANEL (E) AND ATTACH USING 2 CAM-LOCKS (V) .



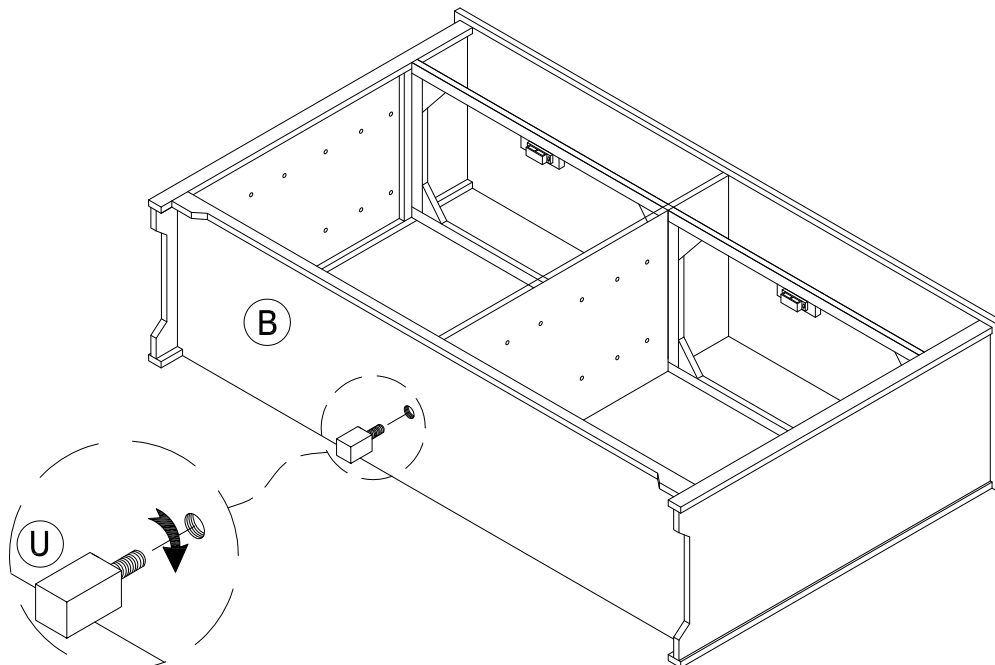
12) . ASSEMBLE THE BOTTOM PANEL (B) .

- ROTATE THE 3 CAM-BOLTS(W) AND INSERT DOWEL(M1) INTO THE HOLES IN THE RIGHT SIDE PANEL (D) .
- PLACE CAM-BOLTS(W) INTO THE HOLES IN THE PANEL (B/J) AND ATTACH USING 3 CAM-LOCKS (V) .
- ATTACH THE RIGHT ACROSS PANEL (G) TO RIGHT SIDE PANEL (D) USING 2 SCREWS (G1) .



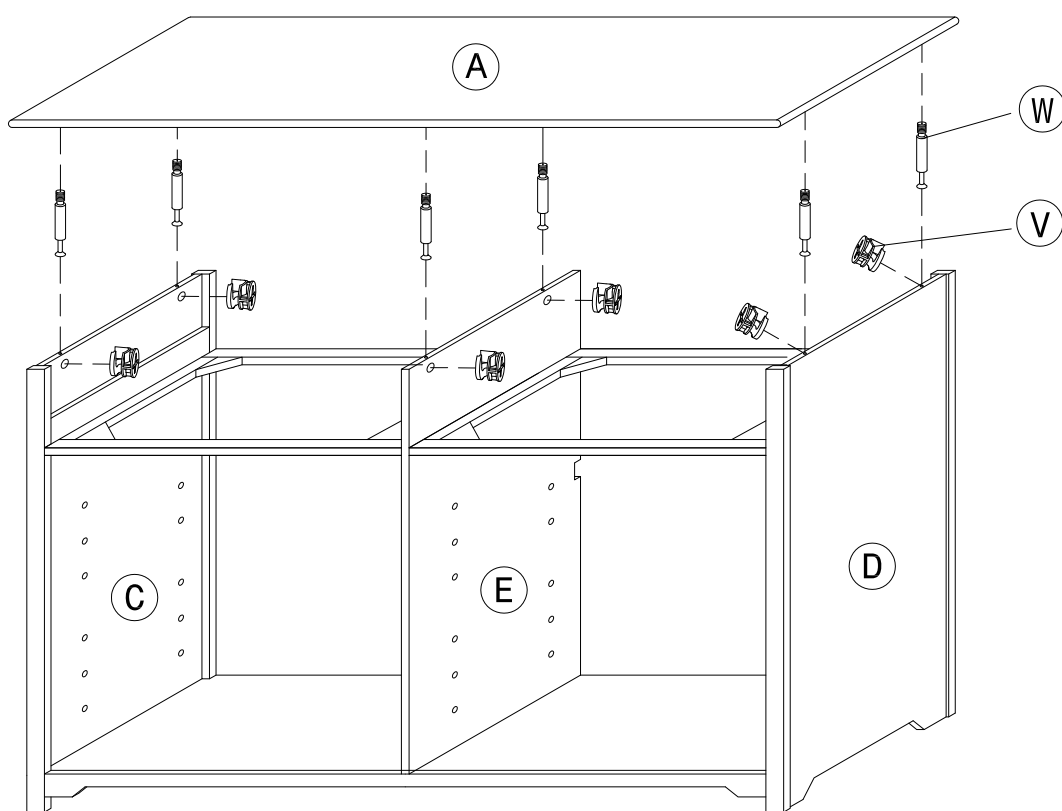
13) . ASSEMBLE THE BOTTOM PANEL (B) .

- ROTATE THE 3 CAM-BOLTS(W) AND INSERT DOWEL(M1) INTO THE HOLES IN THE LEFT SIDE PANEL(C) .
- PLACE CAM-BOLTS(W) INTO THE HOLES IN THE PANEL(B/J) AND ATTACH USING 3 CAM-LOCKS(V) .
- ATTACH THE LEFT ACROSS PANEL(F) TO LEFT SIDE PANEL(C) USING 2 SCREWS(G1) .



14) . ASSEMBLE THE FOOT (U) .

- ROTATE THE FOOT (U) INTO THE HOLE IN THE BOTTOM PANEL (B) .

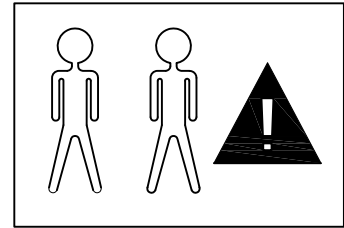


15) . ASSEMBLE THE TOP PANEL(A) .

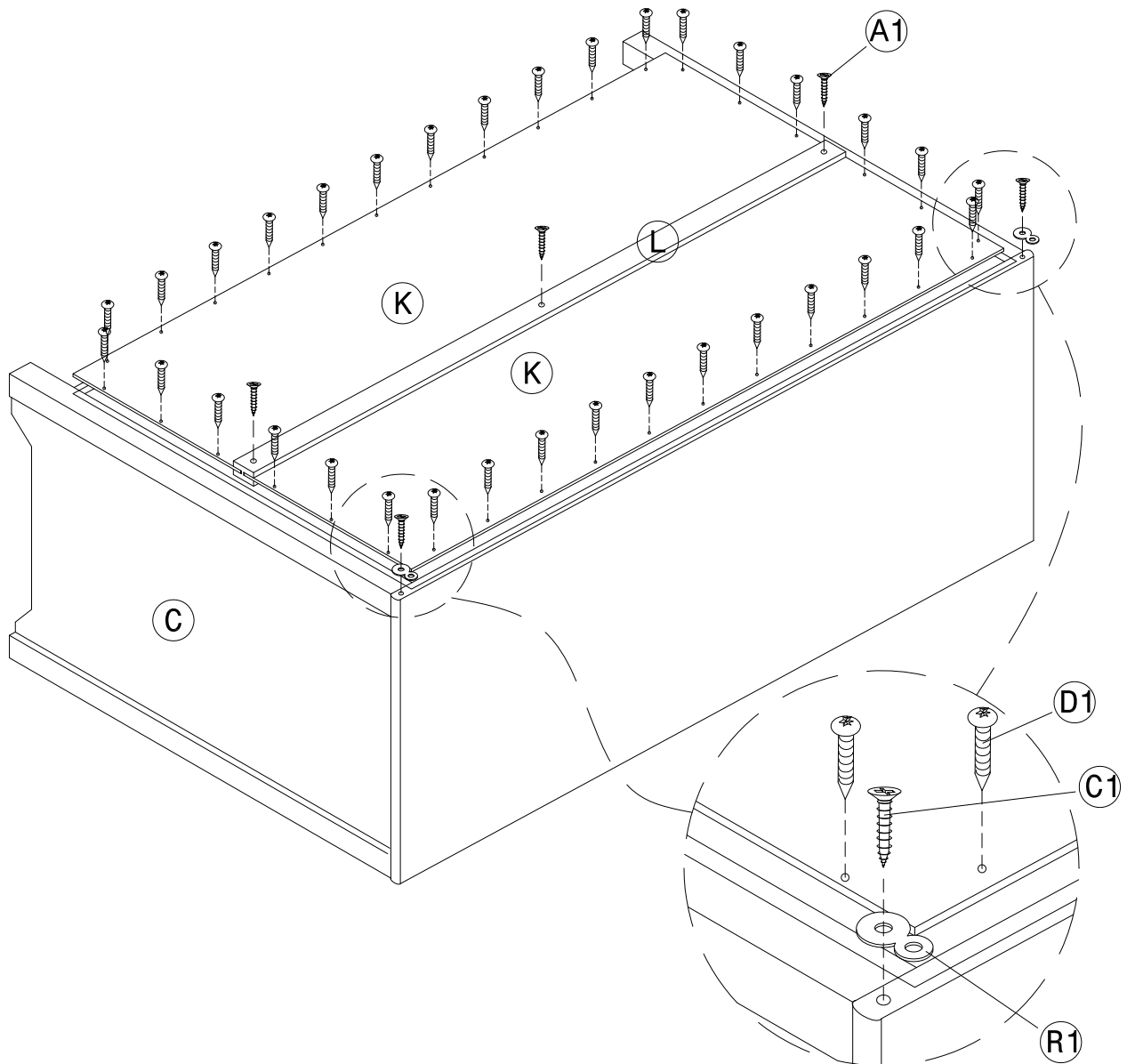
- ROTATE THE 6 CAM-BOLTS(W) INTO THE HOLES IN THE TOP PANEL(A) .
- PLACE CAM-BOLTS(W) INTO THE HOLES IN THE PANEL(C/D/E) AND ATTACH USING 6 CAM-LOCKS(V) .

NOTE: • Before assemble the back panels laying down the product, it will be more easily than upright.

• Please do not upright the product until the back panel was finished assemble.

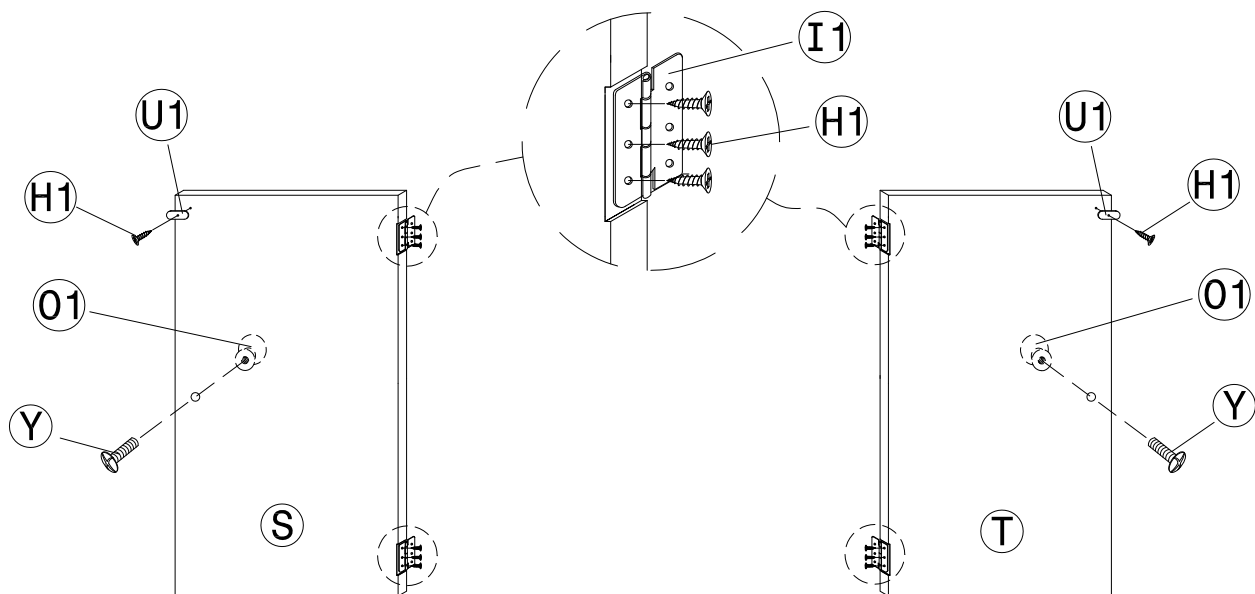


this step requires two adults to safely assemble



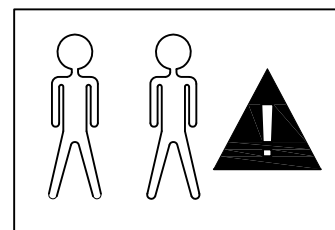
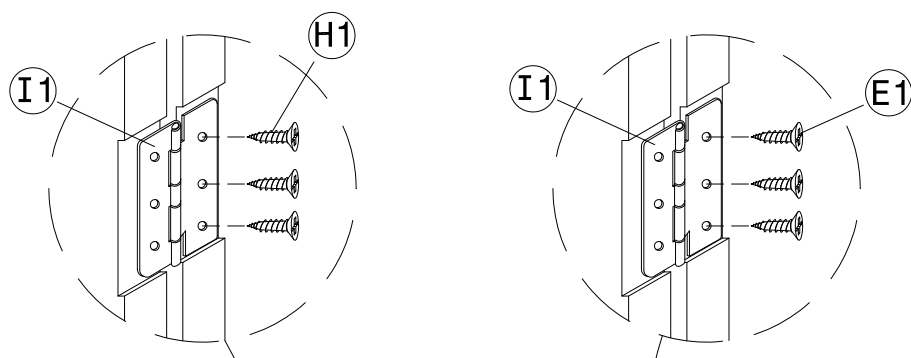
16) . ASSEMBLE THE BACK PANELS(K) .

- INSERT THE BACK PANELS(K) INTO THE SLOT IN THE REAR PANEL GUIDE(L) .
- ATTACH THE BACK PANELS(K) AND REAR PANEL GUIDE(L) USING SCREWS(D1/A1) .
- ATTACH THE 2 HOOKS(R1) TO THE BACK PANELS(K) USING 2 SCREWS(C1) .

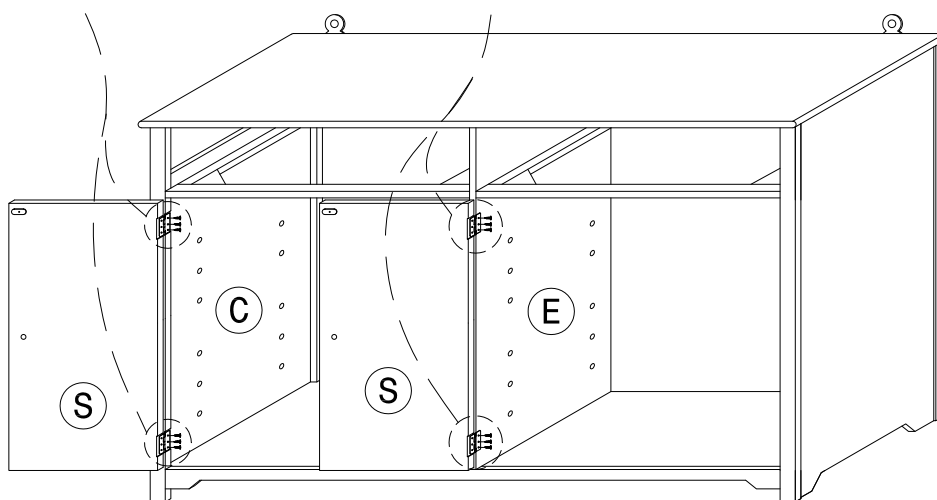


17) . ASSEMBLE THE DOORS(R/S) .

- ATTACH THE 2 KNOBS(O1) TO DOORS(S/T) USING 2 SCREWS(Y) .
- ATTACH THE 2 FEMALE MAGNETYS(U1) TO DOORS(S/T) USING 2 SCREWS(H1) .
- ATTACH THE 4 HINGES(I1) TO DOORS(S/T) USING 12 SCREWS(H1) .

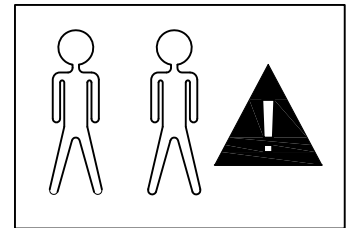
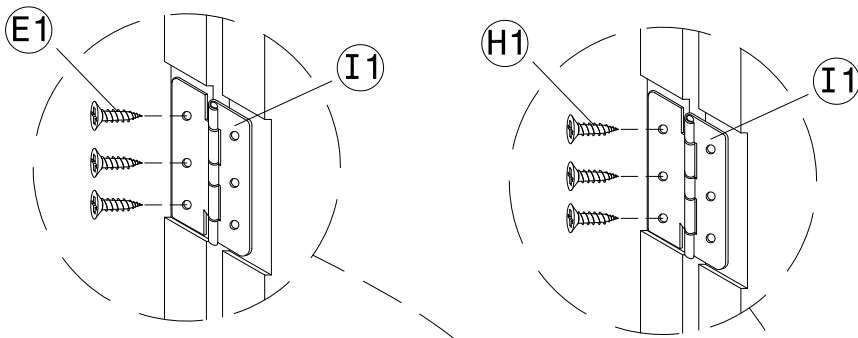


this step requires two adults to safely assemble

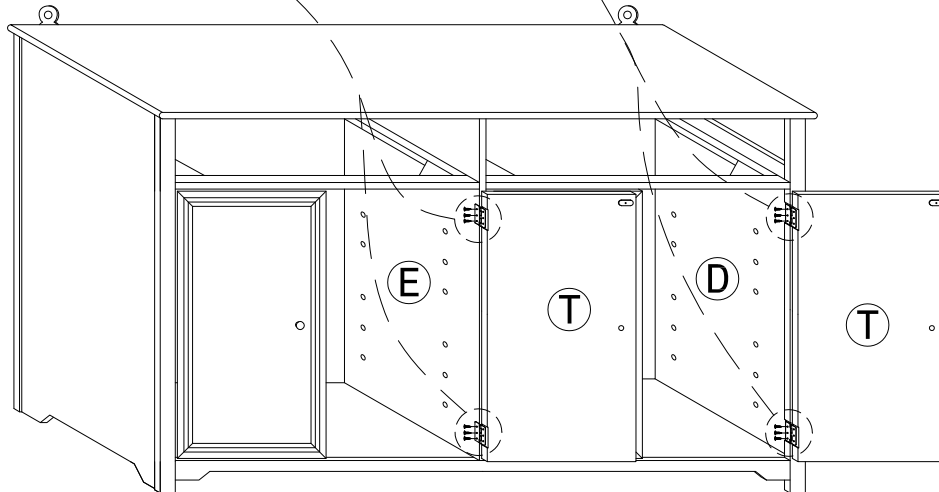


18) . ASSEMBLE THE LEFT DOORS(S) .

- ATTACH THE LEFT DOORS(S) TO PANEL(C/E) USING 6 SCREWS(H1) AND 6 SCREWS(E1) .

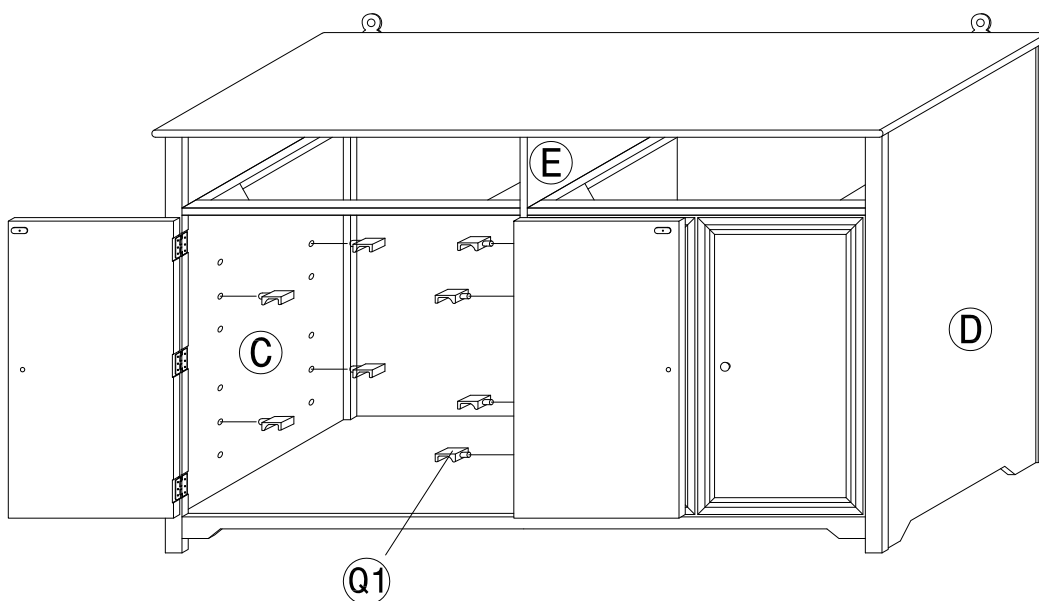


this step requires two adults to safely assemble



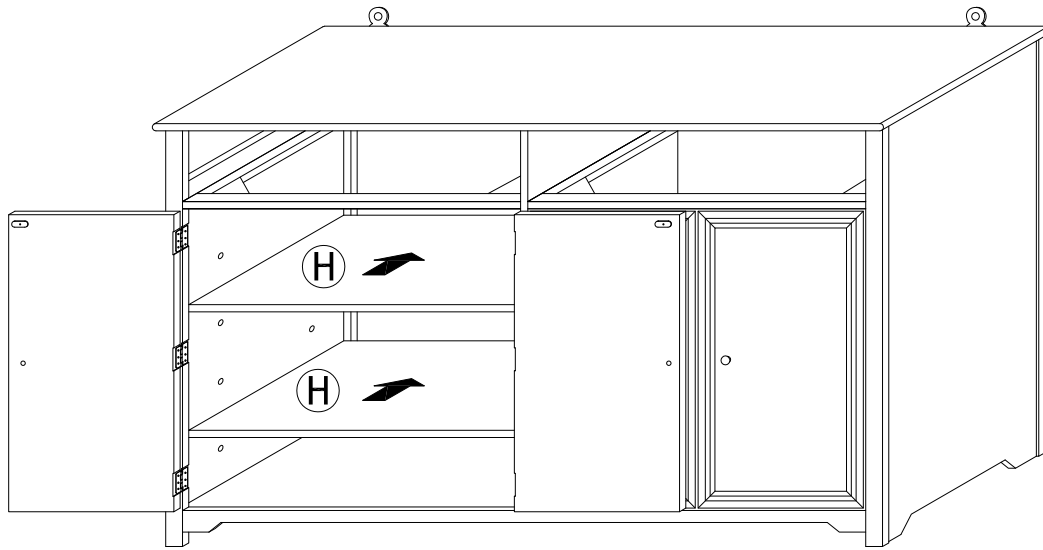
19) . ASSEMBLE THE RIGHT DOORS(T) .

- ATTACH THE RIGHT DOORS(T) TO PANEL(D/E) USING 6 SCREWS(H1) AND 6 SCREWS(E1) .



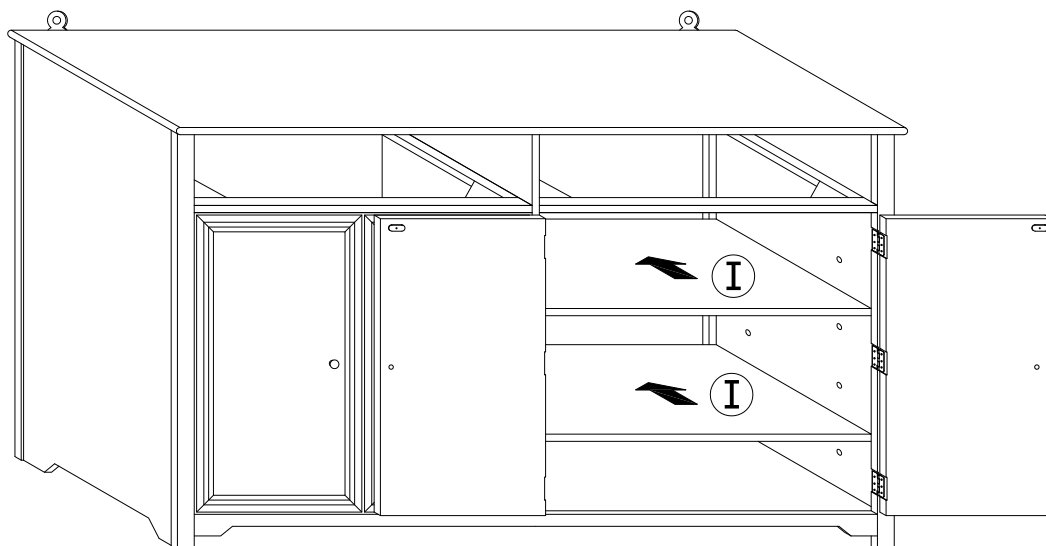
20) . ASSEMBLE THE SHELF SUPPORTS(Q1) .

- INSERT 16 SHELF SUPPORTS(A1) INTO THE HOLES IN THE PANEL(C/D/E) .



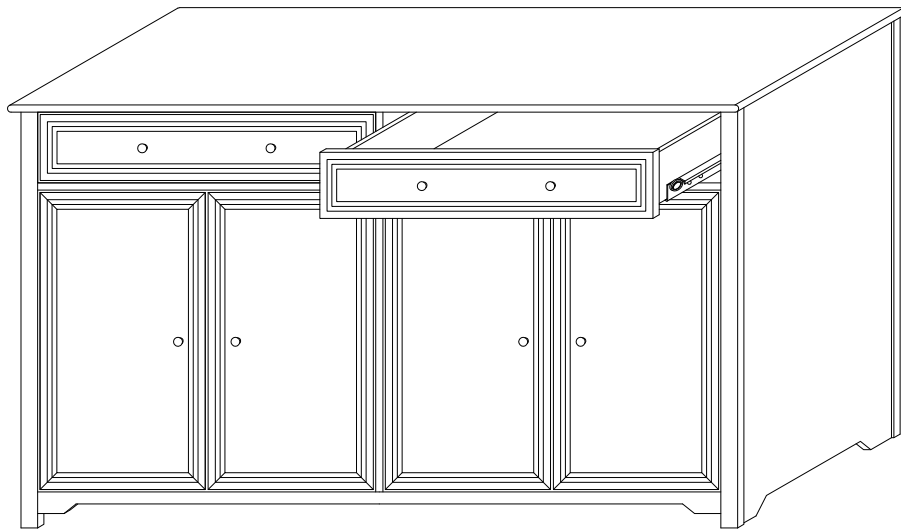
21) .ASSEMBLE THE LEFT SHELVES(H) .

- PLACE THE LEFT SHELVES(H) ONTO THE SHELF SUPPORTS(Q1) .



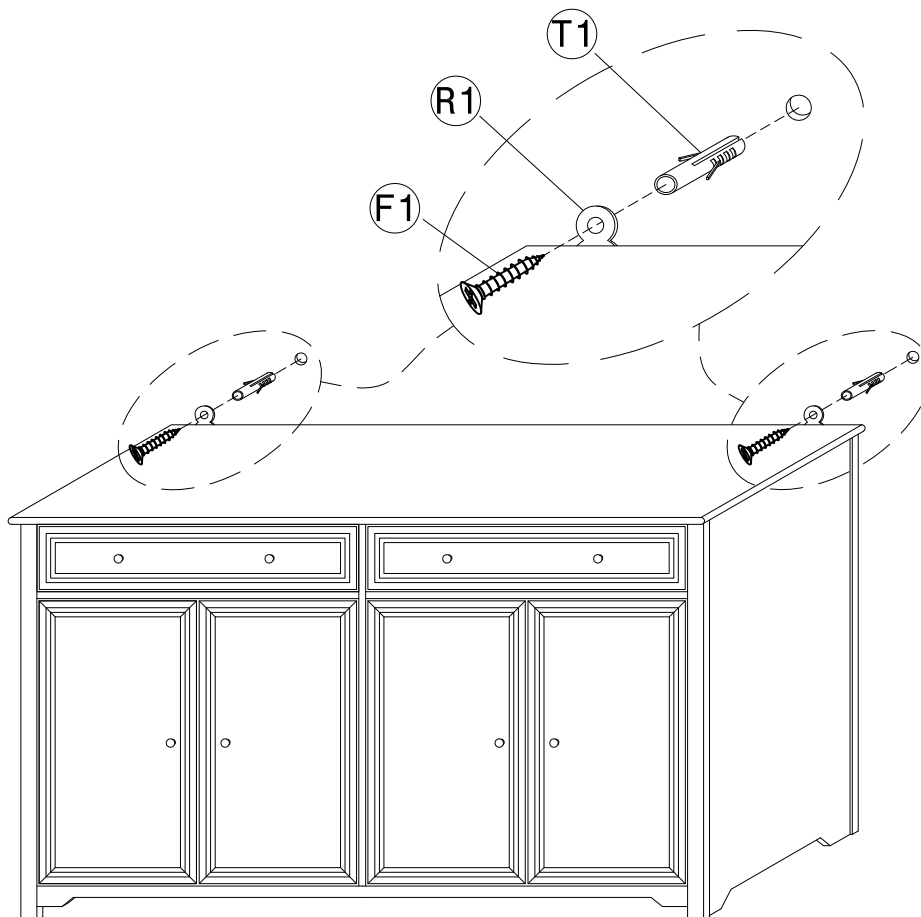
22) .ASSEMBLE THE RIGHT SHELVES(I) .

- PLACE THE RIGHT SHELVES(I) ONTO THE SHELF SUPPORTS(Q1) .



23) . ASSEMBLE THE DRAWERS.

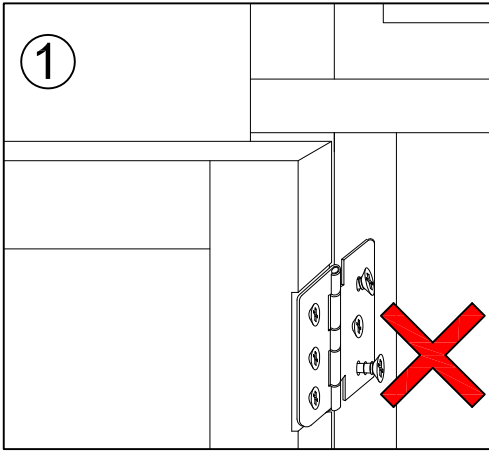
- SLIDE THE DRAWERS INTO SLIDERS.



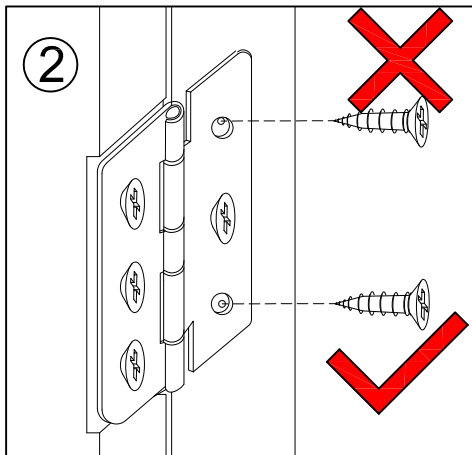
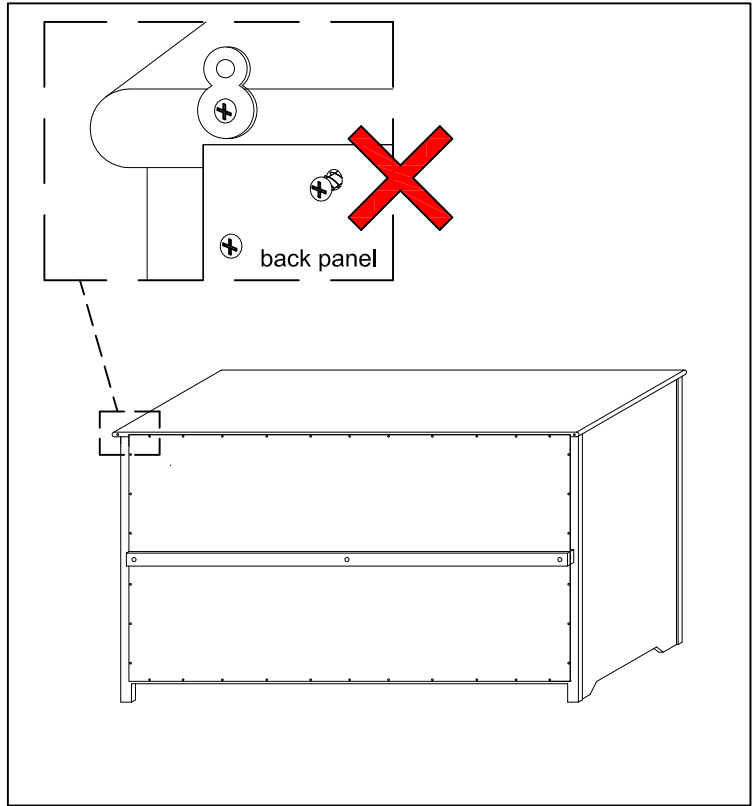
24) . ASSEMBLE THE ANTI-TIP HARDWARE.

- DRILL 2 HOLES INTO THE WALL, PLEASE REFER TO THE REAR TOP PANEL'S HOLE DISTANCE AND HEIGHT.
- PUT 2 GECKOS(T1) INTO THE HOLES IN THE WALL, AND ROTATE 2 SCREWS(F1) INTO THE GECKOS(T1).

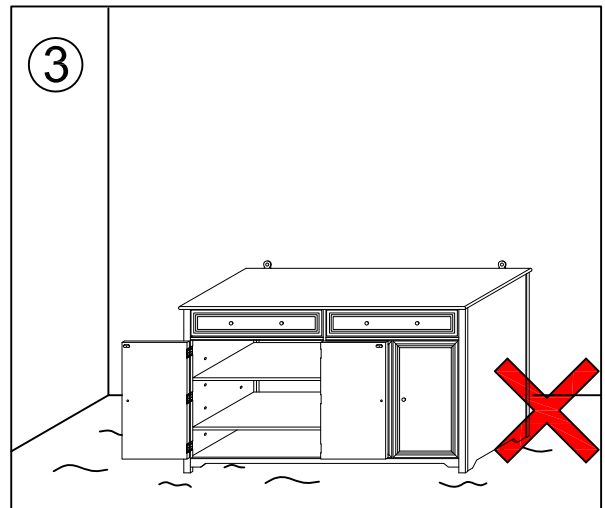
NOTE: After assembly the doors, if you find the doors don't line up, please kindly check with the below three common situations.



First. Maybe the screws were not tighten completely. please check the door hinges' and the back panel's screws, and make sure the screws are tighten.



Second, maybe some drill hole for the door hinges were not accurate, please adjust some screw's location slightly, the illustration on the left for your reference.



Third, maybe the floor is uneven, please move the product to the even floor.

"IMPORTANT HEALTH NOTICE.

SOME OF THE BUILDING MATERIALS USED IN THIS HOME (OR THESE BUILDING MATERIALS) EMIT FORMALDEHYDE. EYE, NOSE, AND THROAT IRRITATION, HEADACHE, NAUSEA AND A VARIETY OF ASTHMA-LIKE SYMPTOMS, INCLUDING SHORTNESS OF BREATH, HAVE BEEN REPORTED AS A RESULT OF FORMALDEHYDE EXPOSURE. ELDERLY PERSONS AND YOUNG CHILDREN, AS WELL AS ANYONE WITH A HISTORY OF ASTHMA, ALLERGIES, OR LUNG PROBLEMS, MAY BE AT GREATER RISK. RESEARCH IS CONTINUING ON THE POSSIBLE LONG-TERM EFFECTS OF EXPOSURE TO FORMALDEHYDE.

REDUCED VENTILATION MAY ALLOW FORMALDEHYDE AND OTHER CONTAMINANTS TO ACCUMULATE IN THE INDOOR AIR. HIGH INDOOR TEMPERATURES AND HUMIDITY RAISE FORMALDEHYDE LEVELS. WHEN A HOME IS TO BE LOCATED IN AREAS SUBJECT TO EXTREME SUMMER TEMPERATURES, AN AIR-CONDITIONING SYSTEM CAN BE USED TO CONTROL INDOOR TEMPERATURE LEVELS. OTHER MEANS OF CONTROLLED MECHANICAL VENTILATION CAN BE USED TO REDUCE LEVELS OF FORMALDEHYDE AND OTHER INDOOR AIR CONTAMINANTS.

IF YOU HAVE ANY QUESTIONS REGARDING THE HEALTH EFFECTS OF FORMALDEHYDE, CONSULT YOUR DOCTOR OR LOCAL HEALTH DEPARTMENT."