



# 48CP

# 48" CORE PLUG LAWN AERATOR

Patent Pending



**READ AND FOLLOW ALL SAFETY RULES AND OPERATING  
INSTRUCTIONS BEFORE USING THIS EQUIPMENT**

# ***Safety Rules***



**This is the safety alert symbol. It is used to alert you to potential personal injury hazards. Obey all safety messages that follow this symbol to avoid possible injury or death.**

Read and understand all safety rules and operating instructions before using this tractor attachment.

Follow all safety rules and operating instructions provided by your tractor's manufacturer when using attachment.

Never allow children or untrained persons to operate tractor or attachment.

Reduce tractor speed to slowest setting when towing or operating on slopes.

Operate up and down slopes, never across the face of slopes.

Do not carry passengers on tractor or attachment.

Avoid sudden turns or maneuvers.

Do not tow attachment on public roadways.

Do not remove warning decals from product.

Check product for worn, loose, or damaged parts before each use. If any damage is present, repair the product before using.

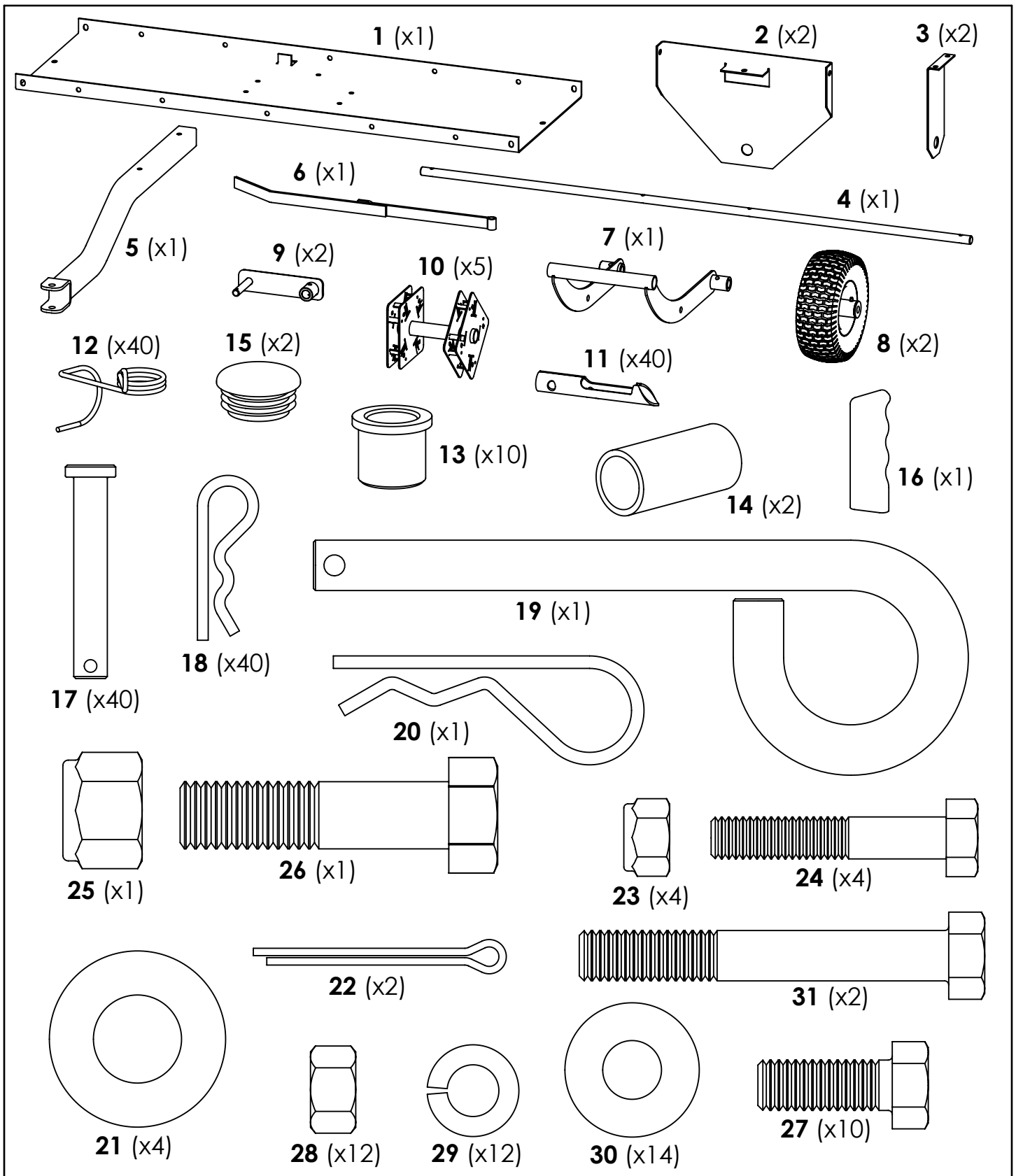
Check product for loose or missing fasteners before each use. Tighten or replace fasteners as needed before using.

Do not exceed tractor speed of 6 miles per hour when towing Lawn Aerator.

Do not exceed tractor speed of 3 miles per hour when operating Lawn Aerator.

Lawn Aerator has sharp points; always handle with care and wear proper footwear when operating.

# Carton Contents

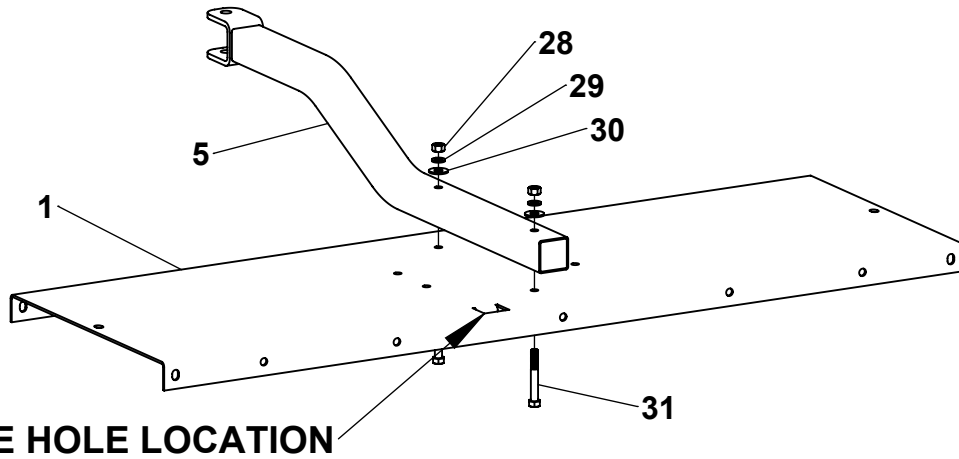


## TOOLS REQUIRED FOR ASSEMBLY:

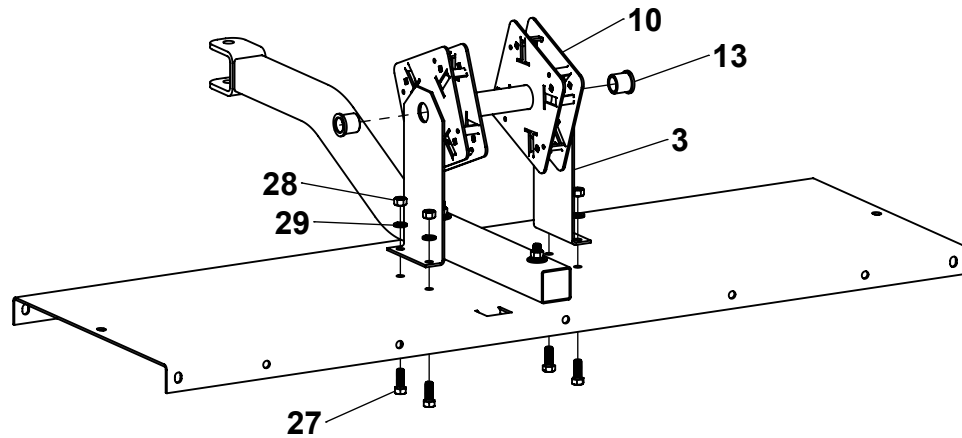
- 1/2" Wrench and Socket
- 9/16" Wrench and Socket
- 3/4" Wrench and Socket
- Needle-Nose Pliers
- Grease Gun
- Mallet

# Assembly Instructions

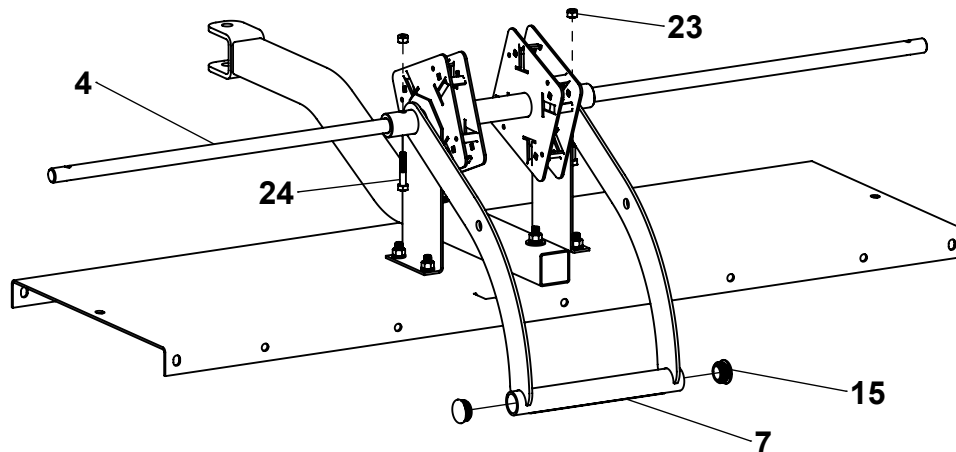
- 1** Attach Hitch to Top Plate and tighten hardware.



- 2** Attach Center Plates to Top Plate and tighten hardware. Insert Bushings to hold Spool in place.

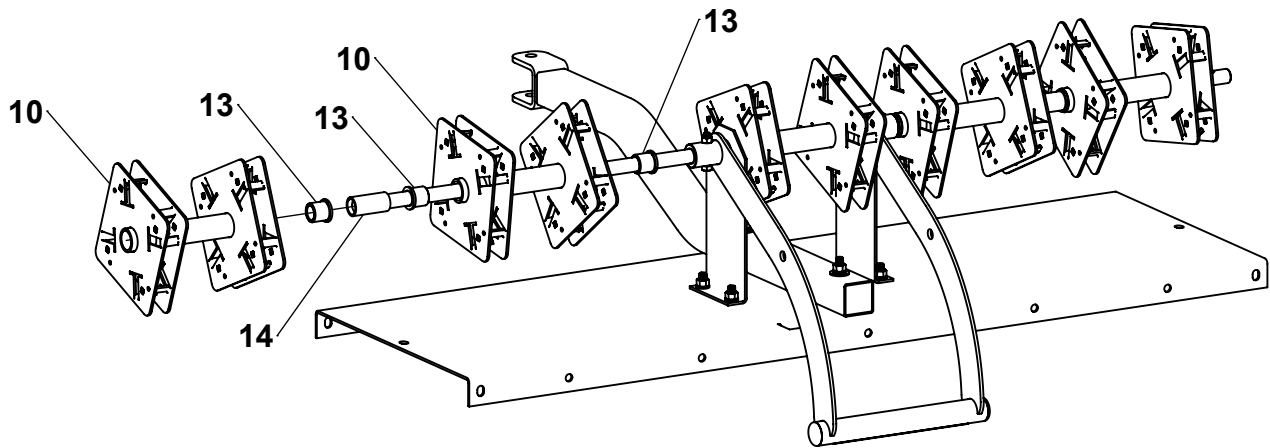


- 3** Hold Foot Lever in place and slide Axle into position, then tighten hardware. Install Tube Plugs into Foot Lever using a mallet if necessary.

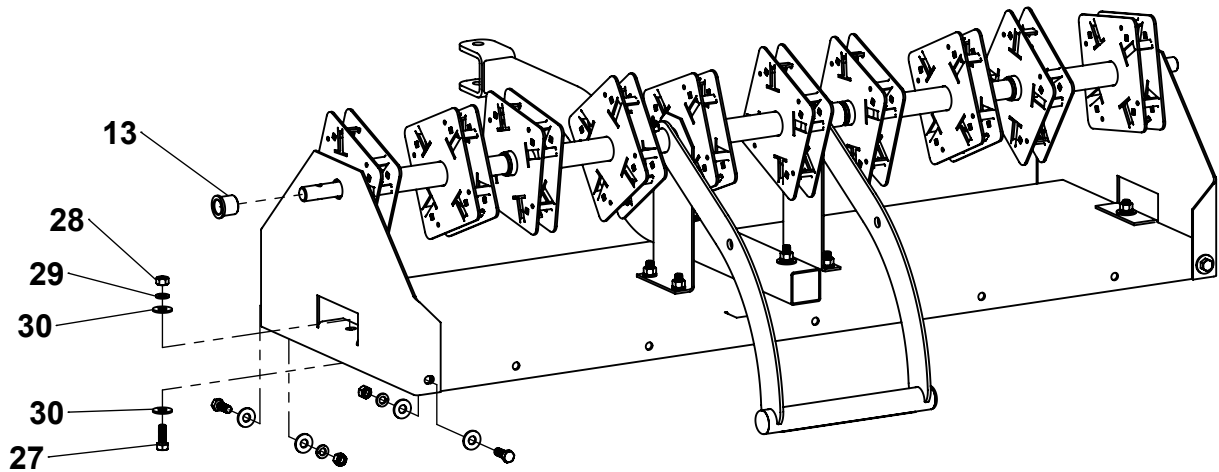


# Assembly Instructions

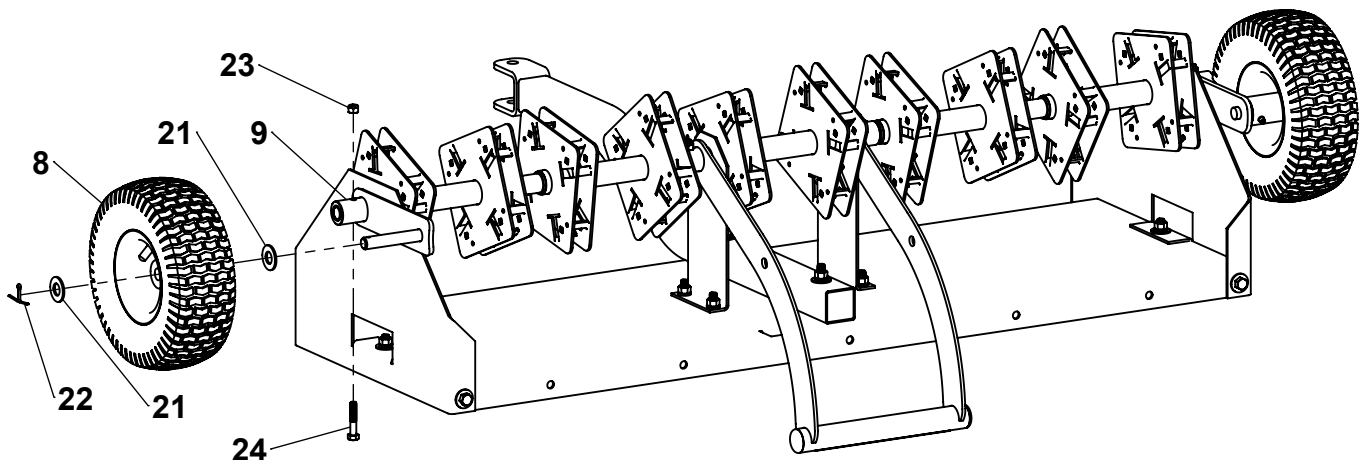
- 4** Slide Bushings, Spools, and Spacers onto both ends of Axle as shown.



- 5** Attach Side Plates to Top Plate and tighten hardware. Install final Bushings onto both ends of Axle.



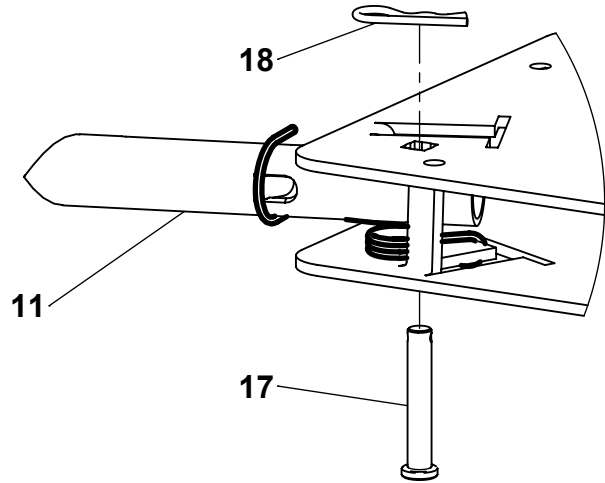
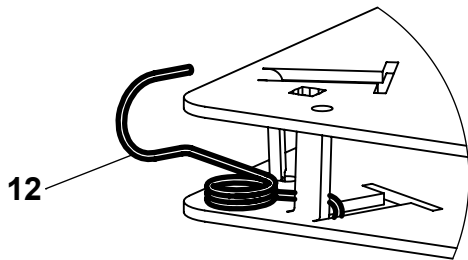
- 6** Slide Wheel Brackets onto Axle as shown and tighten hardware. Slide Washers and Wheels onto Wheel Brackets and install Cotter Pin. Bend legs of Cotter Pin to secure.



# Assembly Instructions

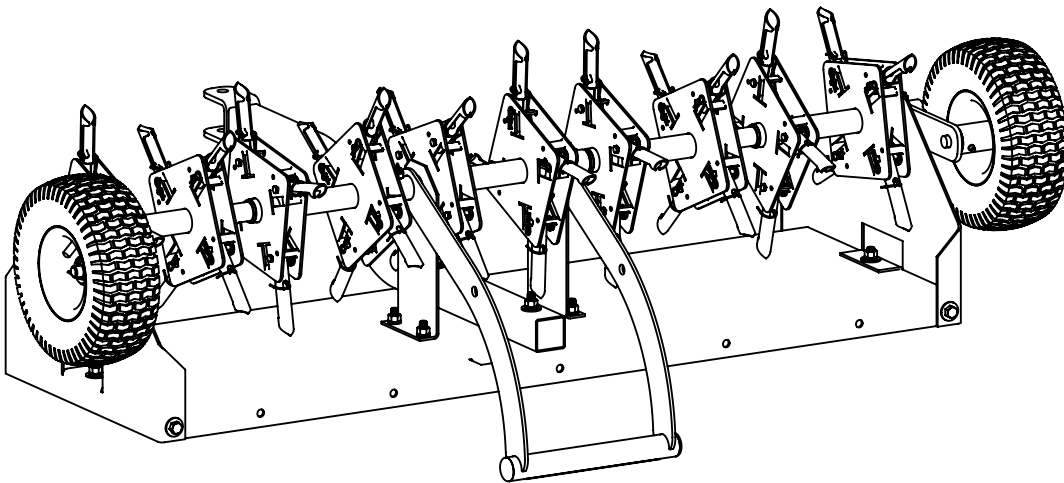
**7**

Hook the Tine Spring into the cutout as shown on the left. Push the Tine Spring towards the center of the Spool until it locks into the slot. Slide the Tine into the Tine Spring. Secure with pins as shown.



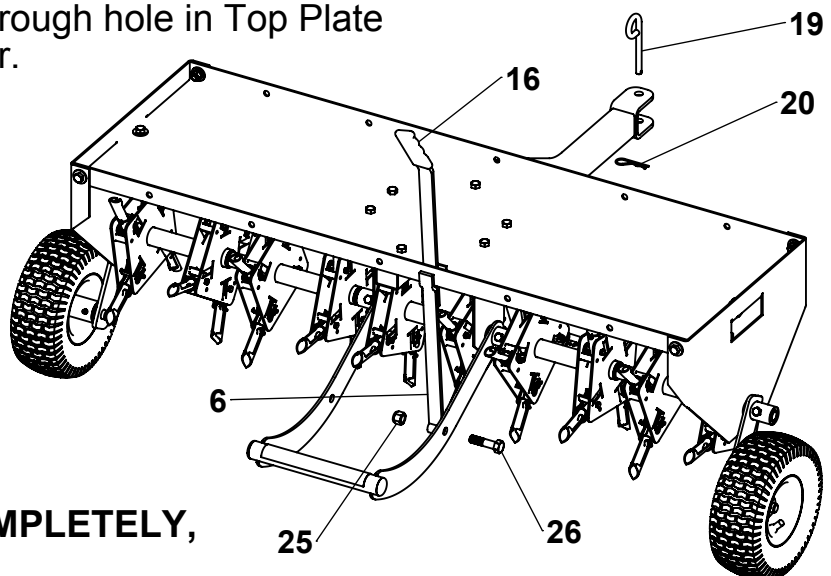
**8**

Rotate each Spool and verify that all 40 Tines are pointed in the same direction as shown.



**9**

Slide Locking Handle through hole in Top Plate and fasten to Foot Lever. Install Handle Grip and Hitch Pin as shown.



**DO NOT TIGHTEN NUT COMPLETELY, BOLT MUST SPIN FREELY.**

# ***Operating Instructions***

## **Before Using Lawn Aerator:**

1. Apply grease to wheels using grease gun until grease can be seen squeezing out from both sides of the wheel.
2. Check tire pressure and inflate to 24 psi if needed.
3. Read all Safety Rules found on page 2.

## **How to Aerate Lawn:**

1. Mow lawn and remove loose clippings.
2. If ground is extremely hard or dry, it should be watered for one to two hours before aerating.
3. Do not aerate if ground is too wet or muddy.
4. Attach Lawn Aerator to tractor using supplied hitch pin.
5. Step down on foot lever and engage locking handle to top plate. Tines should not be contacting the ground.
6. Start tractor engine and tow Lawn Aerator to lawn.
7. Step down on foot lever and push locking handle forward to disengage from top plate. Slowly allow foot lever to raise until tines have contacted the lawn.
8. Engage tractor drive at its slowest speed and begin aerating. Increase tractor speed as desired.
9. Aerate in straight lines whenever possible and avoid sharp turns.
10. Optimal aeration will yield soil plugs roughly 2-3 inches in length. Add weight and/or reduce tractor speed as necessary to improve aeration.
11. Up to four standard concrete blocks (140 lbs), or other weights, can be added to the top plate to increase aeration depth. Always secure weights to top plate using bungee straps (not provided).

## **Periodic Maintenance:**

- Tighten fasteners as needed before each use
- Check tire pressure before each use
- Grease wheels annually

# Warranty

If this product fails due to a defect in material or workmanship within TWO YEARS from the date of purchase, we will at our option repair or replace it free of charge. This warranty excludes tires, wheels, springs and tines, which are expendable and become worn during normal use.

This warranty does not cover:

- Repairs necessary because of operator abuse or negligence.
- Equipment used for commercial or rental purposes.
- Paint that is worn or faded due to normal use or exposure.

To arrange for product repair call 1-800-652-2321, or return this product to place of purchase for replacement.

This warranty gives you specific legal rights, and you may also have other rights which may vary from state to state. This warranty applies only while this product is in use in the United States.

In the space below record the purchase date of your Lawn Aerator.

Model Number **48CP** \_\_\_\_\_

Purchase Date \_\_\_\_\_

Keep this Owner's Manual and your receipt in a safe place for future reference.

After the two year warranty period all replacement parts may be ordered by calling **1-800-652-2321**.

When ordering replacement parts, always give the following information:

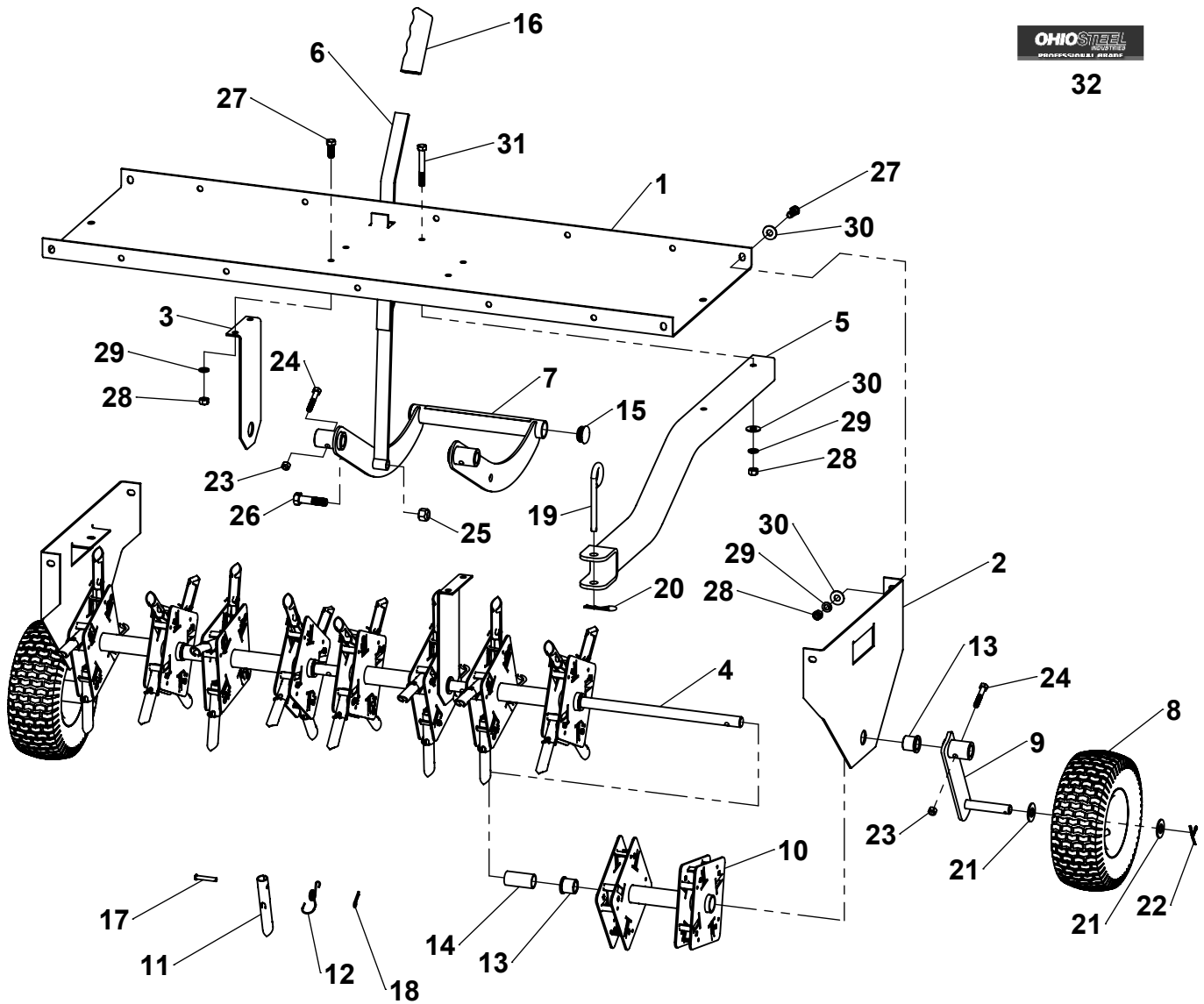
- Product **48" CORE PLUG LAWN AERATOR** \_\_\_\_\_
- Model Number **48CP** \_\_\_\_\_
- Part Number \_\_\_\_\_
- Part Description \_\_\_\_\_



# Repair Parts



32



ITEM	PART NO	DESCRIPTION	QTY	ITEM	PART NO	DESCRIPTION	QTY
1	406474	Top Plate	1	17	3000811	Clevis Pin, 1/4" x 1-1/2"	40
2	406475	Side Plate	2	18	3000812	Hairpin Cotter, 1-3/16"	40
3	406476	Center Plate	2	19	300083	Hitch Pin	1
4	306003	Axle	1	20	300084	Hairpin Cotter, 2-5/16"	1
5	506072	Hitch	1	21	300071	5/8" SAE Flat Washer	4
6	506121	Locking Handle	1	22	300081	Cotter Pin, 1/8" x 1-1/2"	2
7	506122	Foot Lever	1	23	3000616	5/16-18 Nyloc Nut	4
8	306012	Wheel	2	24	3000535	5/16-18 x 1-3/4" Hex Bolt, GR 5	4
9	506051	Wheel Bracket	2	25	3000622	1/2-13 Nyloc Nut	1
10	506081	Core Plug Spool	5	26	3000536	1/2-13 x 2" Hex Bolt	1
11	406511	Core Plug Tine	40	27	3000511	3/8-16 x 1" Hex Bolt	10
12	306131	Tine Spring	40	28	300069	3/8-16 Hex Nut	12
13	300211	Bushing	10	29	300078	3/8" Split Lock Washer	12
14	3001212	Spacer	2	30	3000720	3/8" USS Flat Washer	14
15	300223	Tube Plug	2	31	3000531	3/8-16 x 2-3/4" Hex Bolt	2
16	300420	Handle Grip	1	32	6000162	Ohio Steel Decal	2

***www.ohiosteel.com***  
***(800) 652-2321***