

# ZIPPITY

*Easy Does It!*

**ZIPPITY**  
GALVANIZED STEEL  
AND VINYL SURFACE  
MOUNT 2-PACK  
(30" H X 3 1/4" W)

## ASSEMBLY INSTRUCTIONS

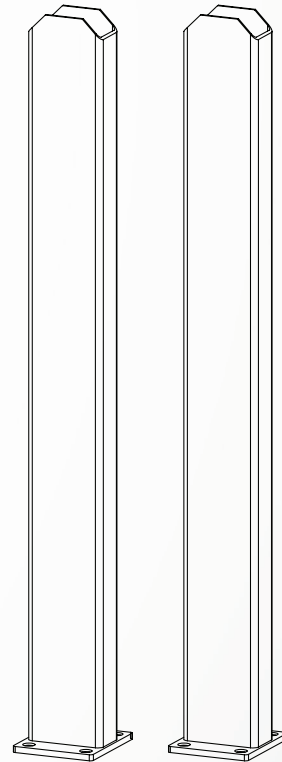
ZP19011

**60 MIN**

*Approximate assembly time*

Want to see a video on how to  
assemble this product?

Scan the QR code



## GENERAL INFORMATION



### IMPORTANT

- Check the inside of the larger pieces in your box for other materials packed inside.
- When assembling components, place on a non-abrasive surface (i.e. shipping box) to avoid scratching.
- We recommend an area approximately 5'x 8' for unobstructed assembling.
- You should not need to use excessive force when assembling components.

## MISSING OR DAMAGED PARTS?

### VISIT OUR WEBSITE FIRST, SO WE CAN HELP YOU RIGHT AWAY!

Although great care has been taken to ensure proper packaging and handling of this product, occasionally problems occur. If you discover any missing, damaged or defective parts, please visit our website to order replacement parts. If you experience any further trouble with your product, please contact our customer service department.

 [parts.nychbrands.com](https://parts.nychbrands.com)

 [support@zippity-outdoor.com](mailto:support@zippity-outdoor.com)

 **704-892-5222 / 877-234-6196**

*Customer service agents are available to take calls weekdays from 9am-5pm EST. If you call outside of business hours, please leave a voicemail.*

To help you quickly and accurately, please have reference item number **ZP19011** and the specific part name which can be found on page 4. It is helpful if you can provide the batch lot which is a stamped number inside the box.

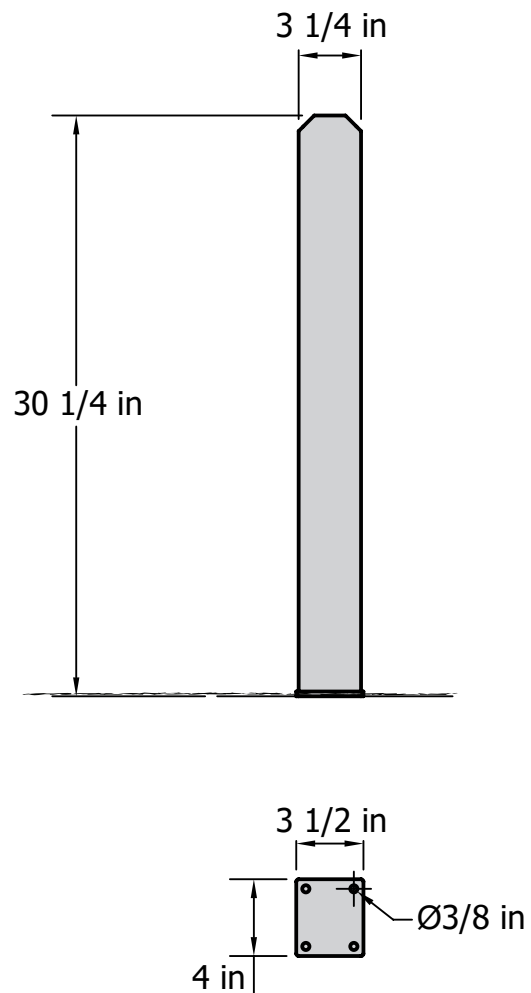
## NEED ASSEMBLY HELP?

If you are having problems with the assembly or installation of this product, we are happy to assist you with the process, **so please give us a call at 704-892-5222 / 877-234-6196.**

## NEED TO RETURN?

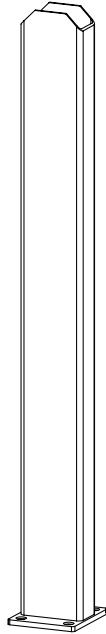
If for some reason you need to return this product, please allow us to help resolve your issues first. If you still decide to return the product, **you will need to initiate the return from the company you originally purchased from.**

## Detailed Product Dimensions & Specifications



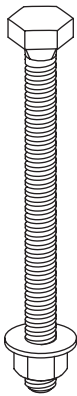
## STEP 1: LAY OUT MATERIALS

A ▶



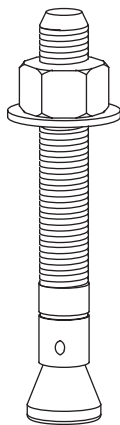
Surface Mount (2)

### NOT INCLUDED WITH PURCHASE:



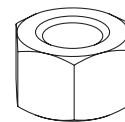
**1/4" x 4" Hex Head Bolt w/ Nut and Washer (8)**

*Only needed if installed on wood*



**1/4" x 3" Concrete Wedge Anchor (8)**

*Only needed if installed on concrete*



**1/4" Hex Bolts(8)**



**1/4" Washer (8)**



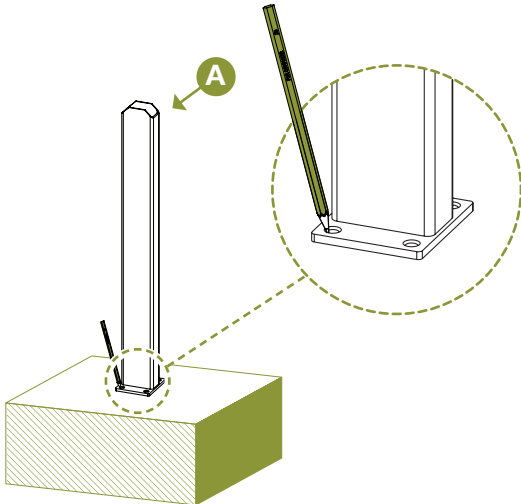
**2" x 6" Wood Support (1)**

*Only needed if installed on wood*

## STEP 2A: MOUNT TO CONCRETE

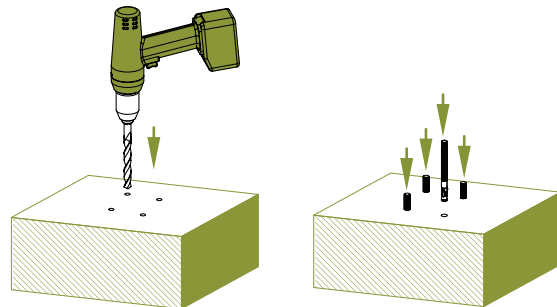
### STEP 2A.1

- ▶ Locate the position of your Surface Mount (A) and mark the four anchor holes.



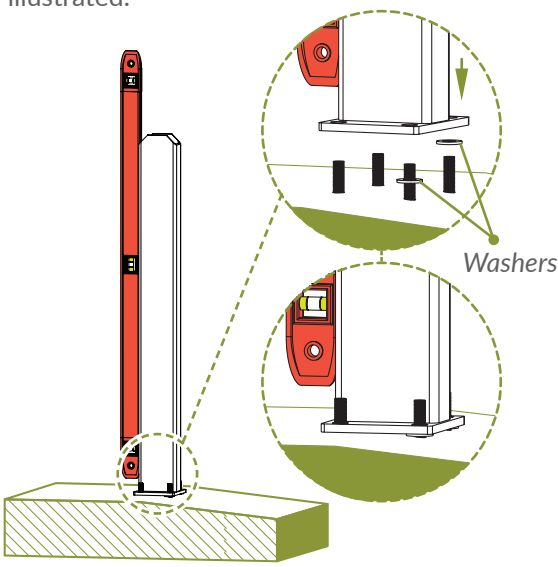
### STEP 2A.2

- ▶ Drill (4) 1/4" diameter holes 3" deep through the concrete. You will need a hammer drill and a masonry drill bit. Install (4) 1/4" x 3" concrete wedge anchors.



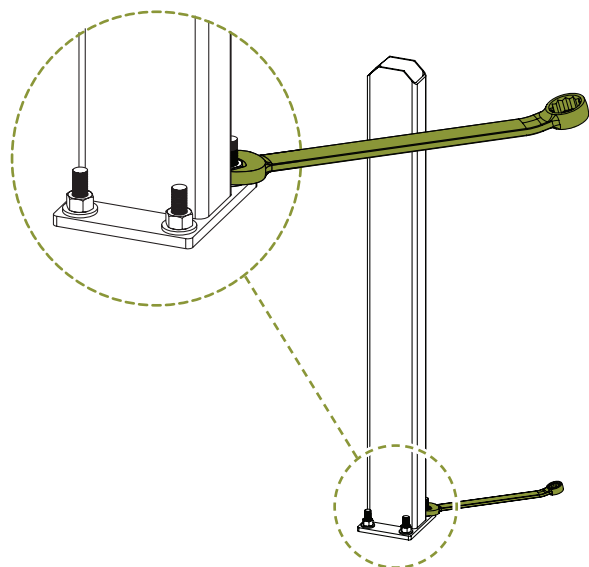
### STEP 2A.3

- ▶ Place the surface mount over the four anchor bolts and check that they are level. If there is a slope in the concrete surface, level the base plate with washer(s) as illustrated.



### STEP 2A.4

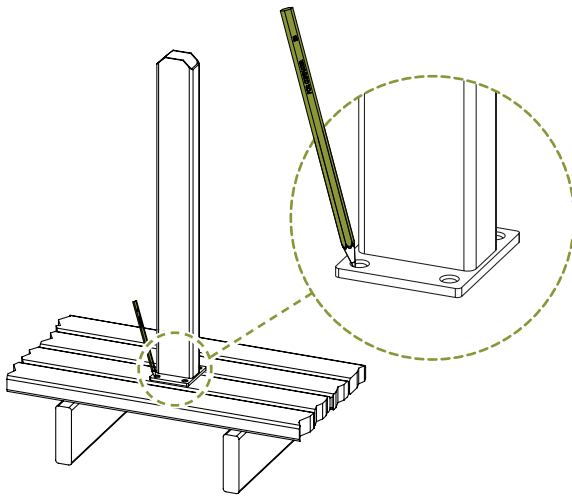
- ▶ Once level, place a washer and nut onto each exposed bolt. Fasten them one by one using a wrench.



## STEP 2B: MOUNT TO WOODEN DECK

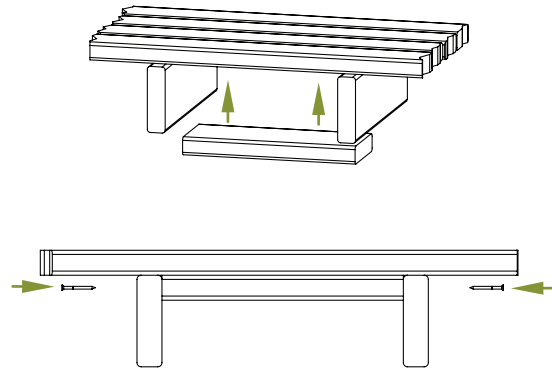
### STEP 2B.1 ▶

- ▶ Locate the position of your surface mount and mark the four bolt holes.



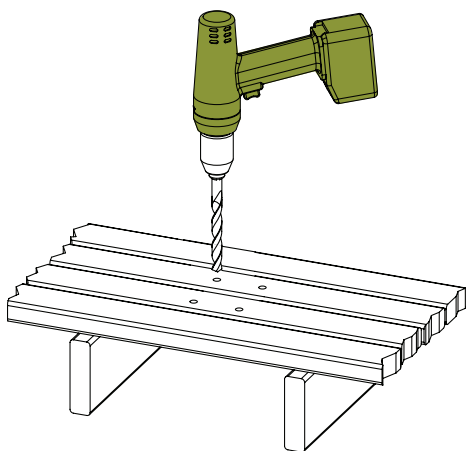
### STEP 2B.2 ▶

- ▶ Measure the distance between your joists and fasten a 2" x 6" wood support directly below where the surface mount will be installed. This will give the surface mount additional structural strength.



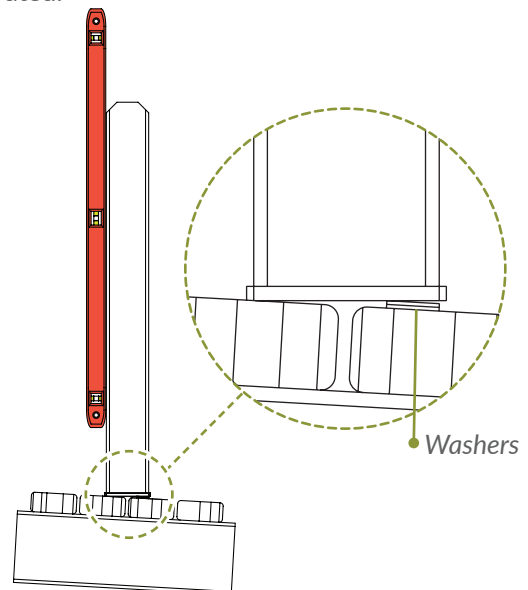
### STEP 2B.3 ▶

- ▶ Drill (4) 1/4" diameter holes through the deck and support.



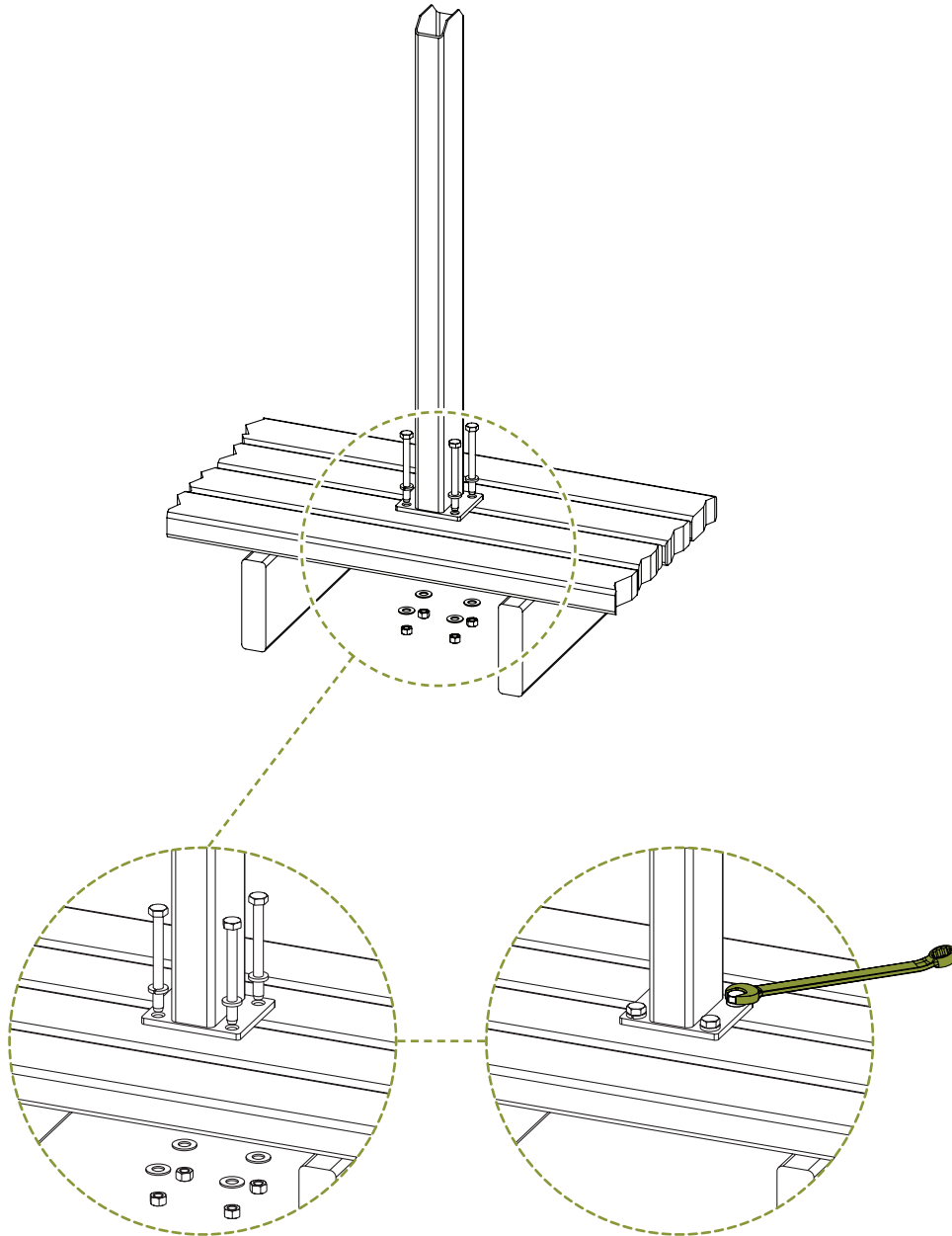
### STEP 2B.4 ▶

- ▶ Place the surface mount over the holes and check if it is level. If there is a slope in the deck surface, level the surface mount base plate as illustrated.



**STEP 2B.5**

► Once level, fasten the surface mount using (4) ¼" x 4" hex head bolts with nuts and washers.





# ZIPPITY

*Easy Does It!*



6935 Reames Rd. Ste. K.  
Charlotte, NC 28216



[support@zippity-outdoor.com](mailto:support@zippity-outdoor.com)

704-892-5222  
877-234-6196



[WWW.ZIPPITY-OUTDOOR.COM](http://WWW.ZIPPITY-OUTDOOR.COM)