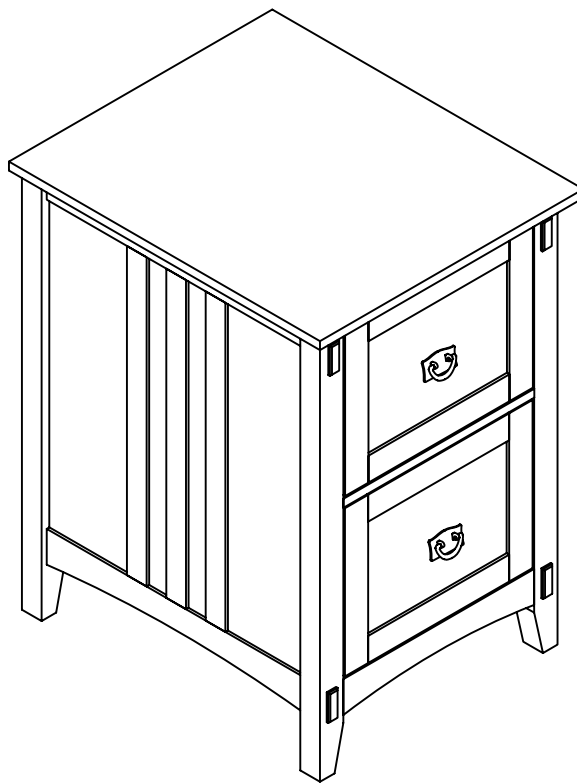


USE AND CARE GUIDE

ARTISAN 2 DRAWER FILE CABINET



Questions, problems, missing parts? Before returning to the store,
call Home Decorators Collection Customer Service.
8 a.m. – 7 p.m., EST, Monday – Friday, 9 a.m. – 6 p.m., EST, Saturday

1-800-986-3460

HOMEDEPOT.COM/HOMEDECORATORS

THANK YOU

We appreciate the trust and confidence you have placed in Home Decorators Collection through the purchase of this artisan 2 drawer file cabinet. We strive to continually create quality products designed to enhance your home. Visit us online to see our full line of products available for your home improvement needs. Thank you for choosing Home Decorators Collection!

Table of Contents

Table of Contents.....	2	Pre-assembly (continued).....	4
Safety Information.....	2	Package Contents	4
Warranty.....	2	Assembly Note	5
3 Year Warranty	2	Trouble Shooting	5
What is Covered	2	Assembly	6
What is Not Covered	2		
Pre-assembly.....	3		
Planning Assembly.....	3		
Tools Required	3		
Hardware Included.....	3		

Safety Information



DANGER

- Keep small parts away from children during assembly.
- Read and follow instructions carefully.



WARNING

- Read these instructions carefully and keep in a safe place.
- TO GUARANTEE THE SAFE USE OF THIS PRODUCT, FOLLOW THE WARNINGS, GUIDELINES AND RECOMMENDATIONS IN THIS MANUAL.
- Adult assembly required.
- Small parts may present choking hazard prior to assembly.
- Do not place heavy objects on the glass top.
- Some assembly may involve attaching glass or mirrors.
- Be very careful handling the glass or mirrors, as severe injury may result if the glass or mirror breaks.
- Never handle large pieces of glass or mirrors by yourself.



CAUTION

- Do not use power tools to assemble your furniture. Power tools may strip or damage parts/product.
- Do not overtighten connectors (screws, bolts, etc.). Overtightening can lead to product damage.
- Be sure to check all packing materials carefully for small parts that may have come loose inside the carton during shipment. If parts are missing, contact THE HOME DEPOT to obtain any missing parts.
- DO NOT USE SUBSTITUTE PARTS.
- This product should only be used on a flat, level surface.

Warranty

3 YEAR WARRANTY

WHAT IS COVERED

We guarantee this product to be free of manufacturing defects to the original purchaser for three years.

WHAT IS NOT COVERED

This warranty does not cover commercial use, acts of nature, and abusive use.

Pre-assembly

PLANNING ASSEMBLY

Keep children and pets away from build area. Make sure your area is large enough to unpack, sort and assemble the unit.

TOOLS REQUIRED



Small head
Phillips
screwdriver

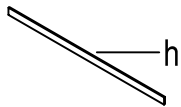
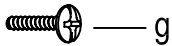
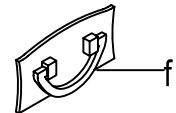
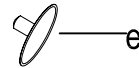
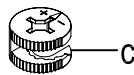
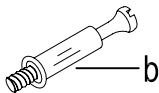
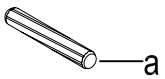


Large head
Phillips
screwdriver

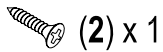
HARDWARE INCLUDED



NOTE: Hardware not shown to actual size.



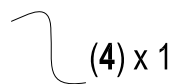
(1) x 2



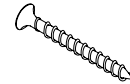
(2) x 1



(3) x 1



(4) x 1



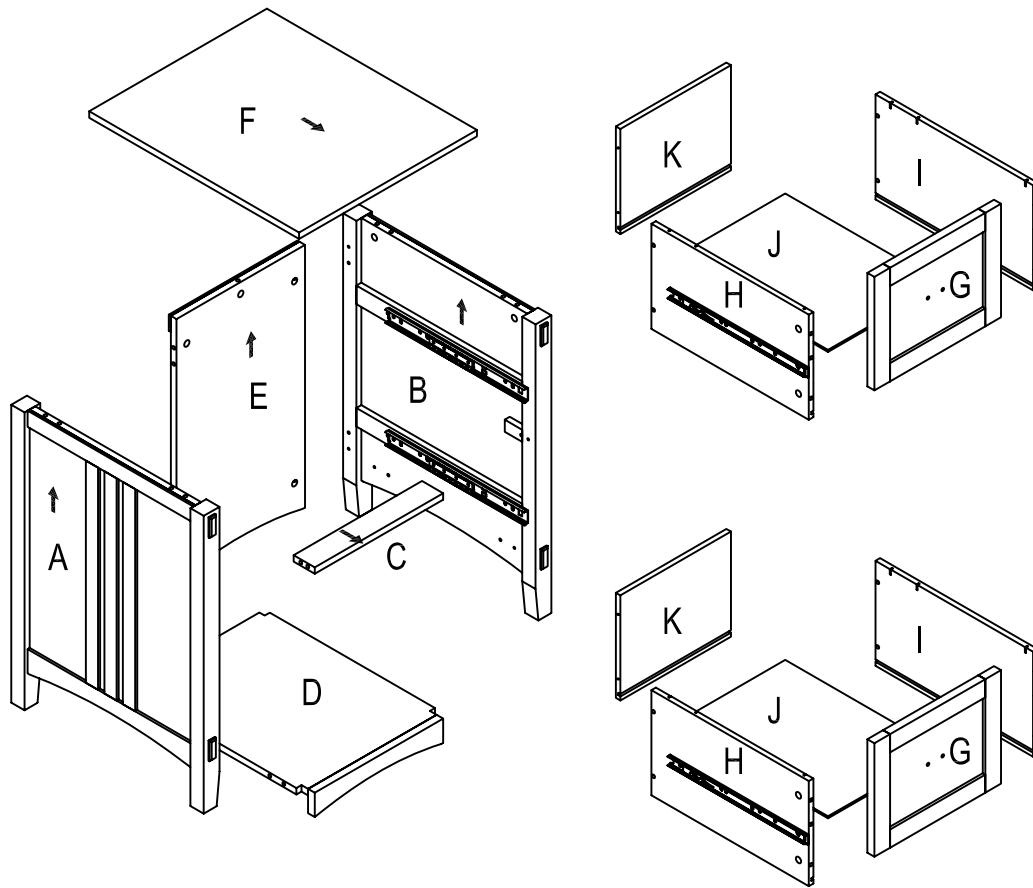
(5) x 1

i

Part	Description	Quantity
a	Wood dowel	18
b	Cam lock bolt	23
c	Cam lock	23
d	1 in. Flat head screw	8
e	Short plastic cover	8
f	Handle	2
g	Handle bolt	4
h	Metal bar	4
i	Anti-tipping hardware package	1

Pre-assembly (continued)

PACKAGE CONTENTS

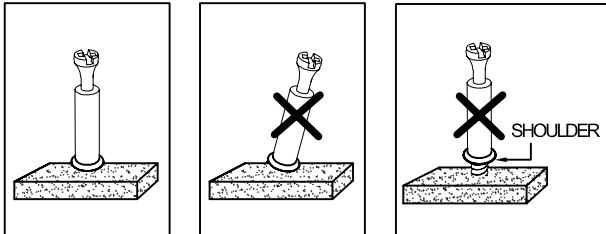


Part	Description	Quantity
A	Left side panel	1
B	Right side panel	1
C	Front cross bar	1
D	Bottom panel	1
E	Back panel	1
F	Top panel	1
G	Drawer front panel	2
H	Drawer left side panel	2
I	Drawer right side panel	2
J	Drawer bottom panel	2
K	Drawer back panel	2

Pre-assembly (continued)

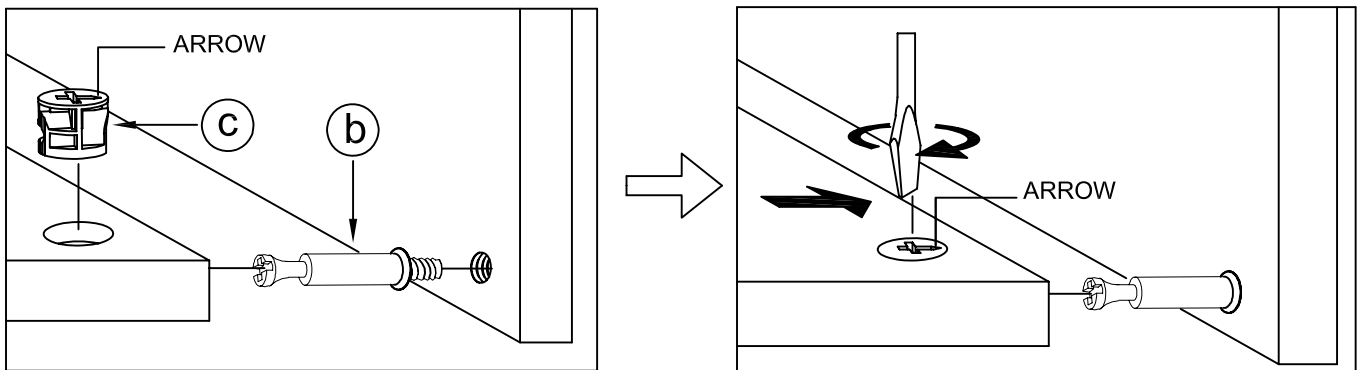
ASSEMBLY NOTE

Upon opening, thoroughly clean all wood surfaces to remove dust and dirt that may have settled onto the finish during shipment. In order to prevent damage during assembly, Please assemble this item with at least two people.



NOTE: Turn the cam-bolt screws until they are tight, the shoulder should be against the surface of the part.

HOW TO USE THE CAM-TOOL



NOTE: The arrows on the hidden cam-locks should point to the cam-bolts.

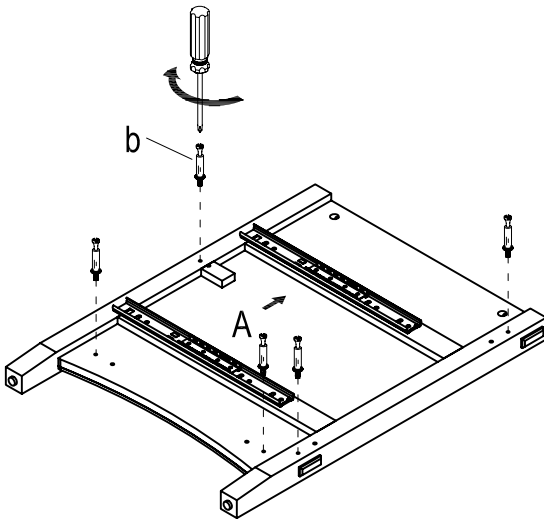
TROUBLE SHOOTING

PROBLEMS	SOLUTIONS
Not all of the product's legs touch the floor	Make sure adjustable center feet levelers are adjusted properly. The levelers are pre assembled on the bottom of the legs.
	The product is KD construction. You may need to loosen the bolts and place the product on a flat surface. Ensure that the legs all touch the flat surface and then re-tighten the bolts.
	Loosen all the bolts and apply some weight to the product to get all the feet to touch the floor. Then re-tighten the bolts in that position.
Panel cannot be assembled	Make sure panel is on right direction.
Door cannot be closed or without magnetic function	Adjust the magnetic clamp make sure it is assembled on appropriate position.
Door is not flat	Adjust the magnetic clamp make sure it is assembled on appropriate position.
Drawers cannot pull in or Pull out smoothly	Refer assembly instruction details to assemble drawers, and pull in and pull out drawers several times gently.
Drawer cannot be removed	When removing the drawer, tip-up the safety release tab to remove the drawer from the body.
Drawer cannot be assembled	Check if drawer two side boards are assembled backwards.
	According to drawer assembly instruction step, Check if drawer two side boards are assembled backwards.

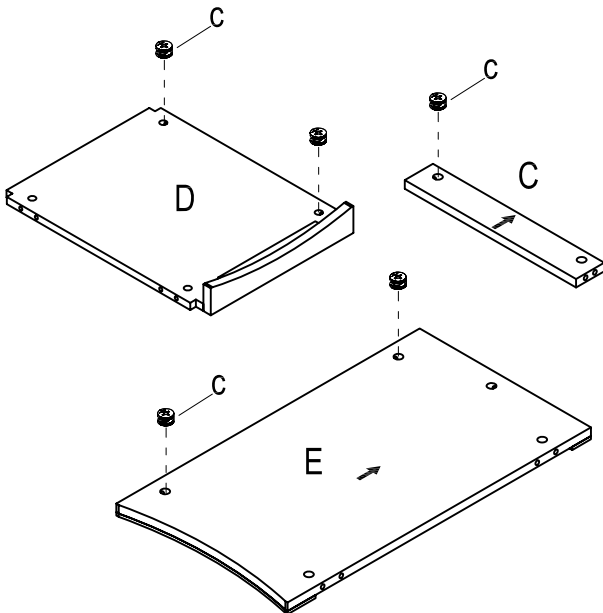
Assembly

1 Attaching back panel and bottom panel to the left side panel

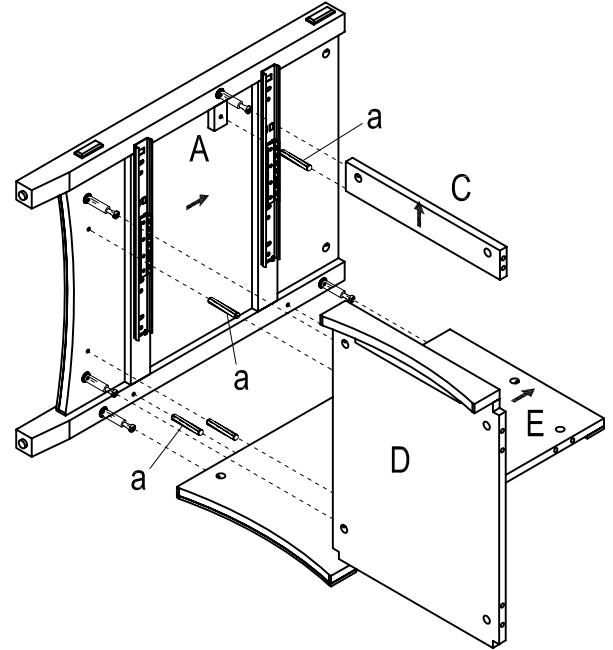
- a) Install bolt (b) into panel (A).



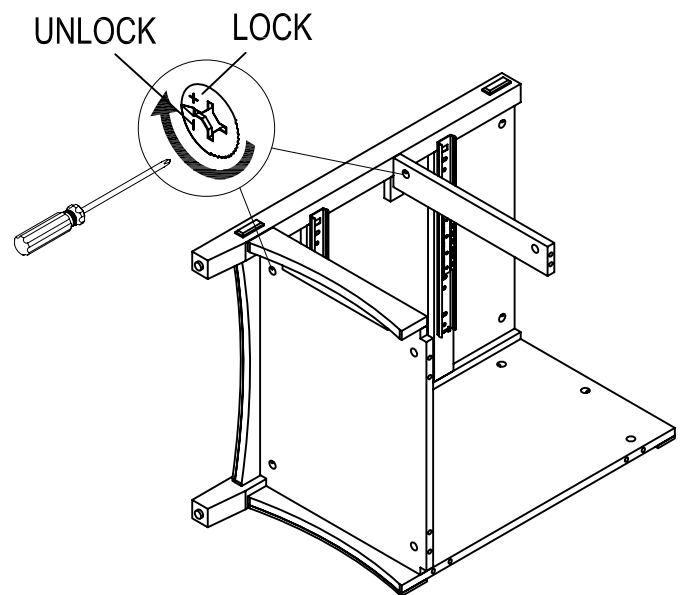
- b) Insert lock (c) into bar (C), panels (E) and (D).



- c) Join bar (C), panels (E) and (D) to the panel (A) with dowel (a).



- d) Tighten bolt (b) with lock (c) in the pre-drilled hole.



Wood dowel

Cam lock bolt

Cam lock

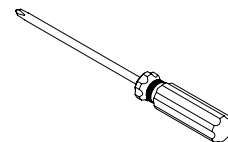
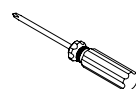
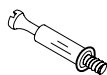
Small head

Large head

(a) x 5

(b) x 5

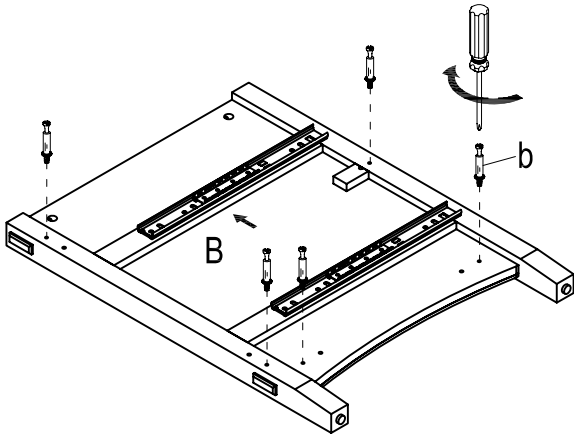
(c) x 5



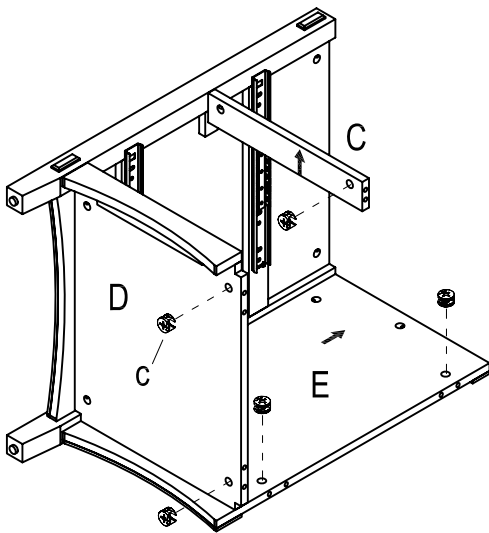
Assembly (continued)

2 Attaching right side panel

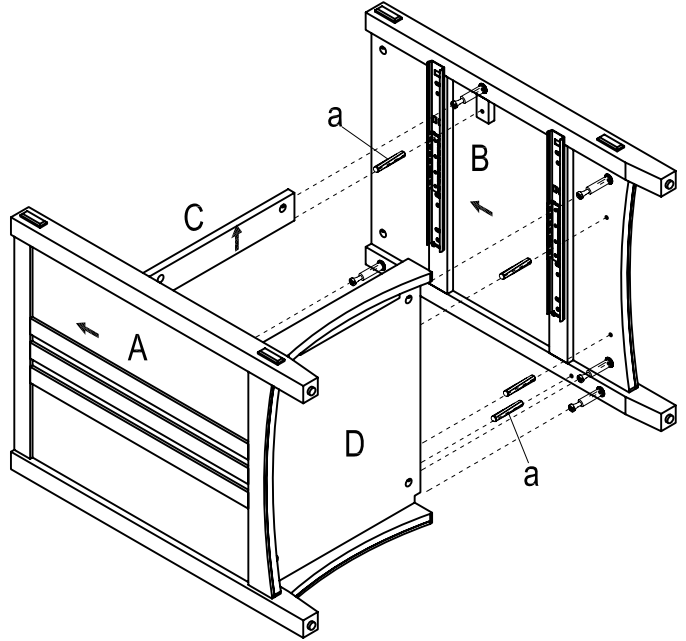
- a) Install bolt (b) into panel (B).



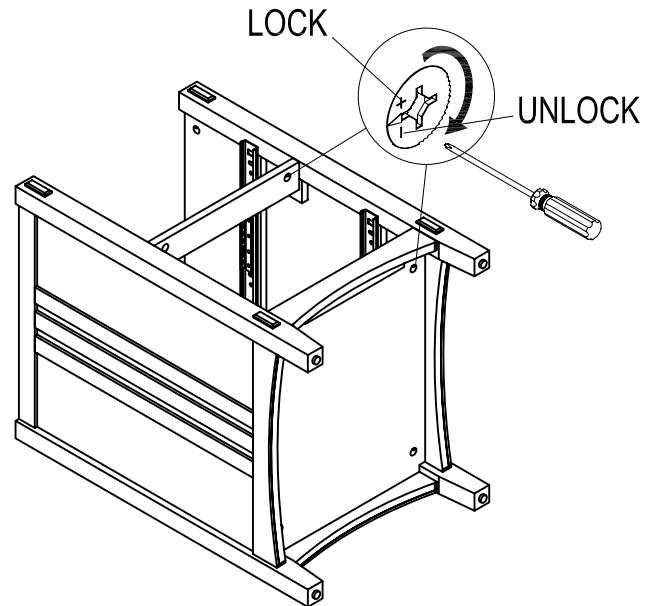
- b) Insert lock (c) into bar (C), panels (E) and (D).



- c) Join panel (B) to assembled body with dowel (a).



- d) Tighten bolt (b) with lock (c) in the pre-drilled hole.



Wood dowel

Cam lock bolt

Cam lock

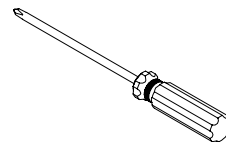
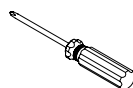
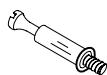
Small head

Large head

(a) x 5

(b) x 5

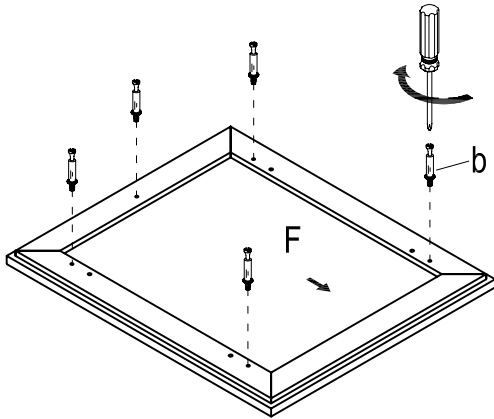
(c) x 5



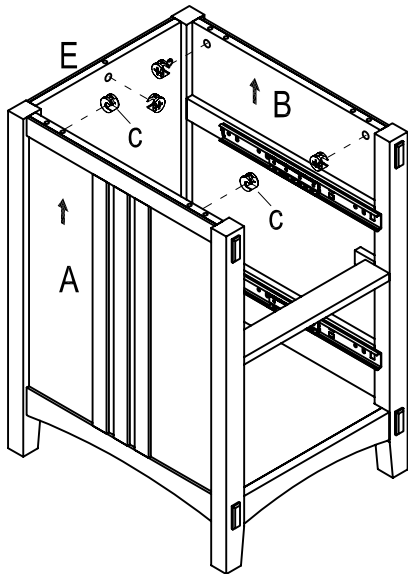
Assembly (continued)

3 Attaching the top panel

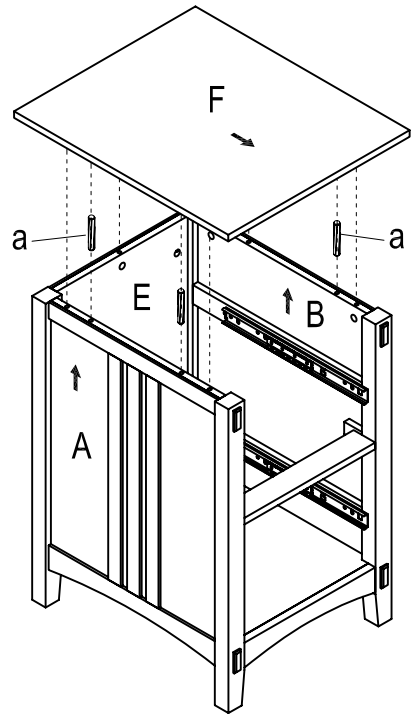
- a) Install bolt (b) into panel (F).



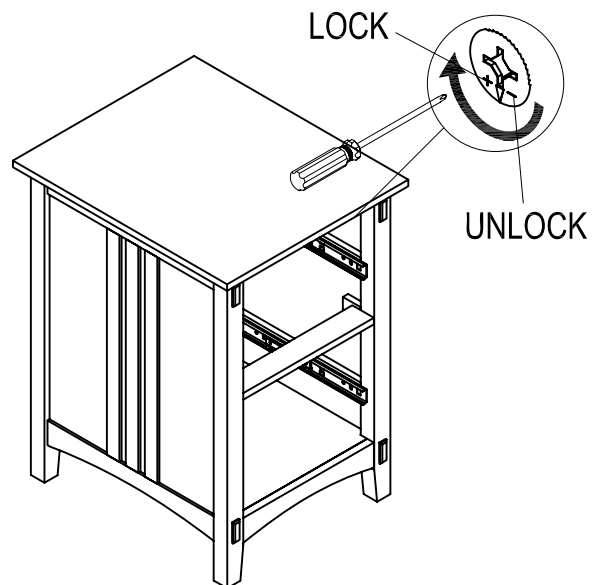
- b) Insert lock (c) into panels (A), (B) and (E).



- c) Join panel (F) to the assembled body with dowel (a).



- d) Tighten bolt (b) with lock (c) in the pre-drilled hole.



Wood dowel

Cam lock bolt

Cam lock

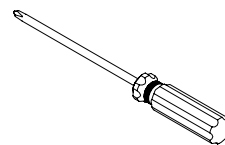
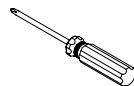
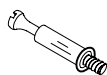
Small head

Large head

(a) x 4

(b) x 5

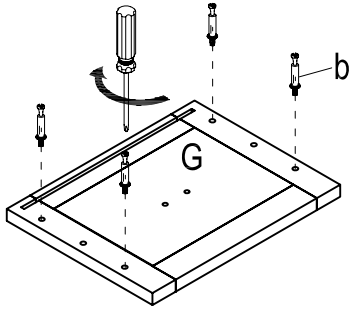
(c) x 5



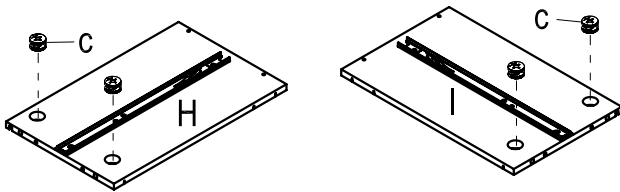
Assembly (continued)

4 Assembling the drawer

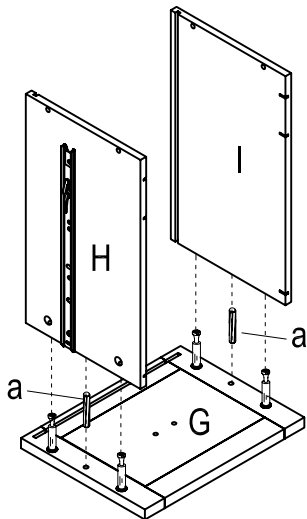
- a) Install bolt (b) into panel (G).



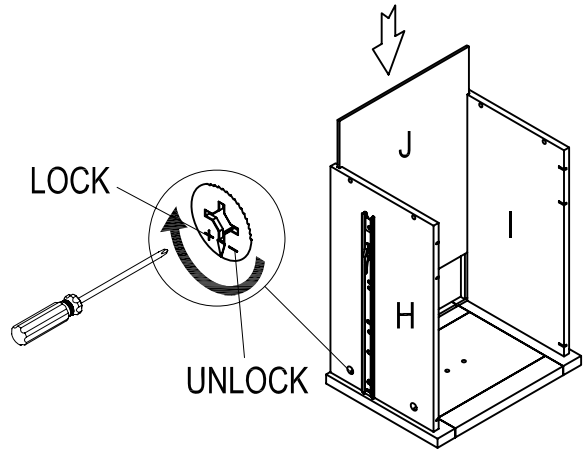
- b) Insert lock (c) into panels (H) and (I).



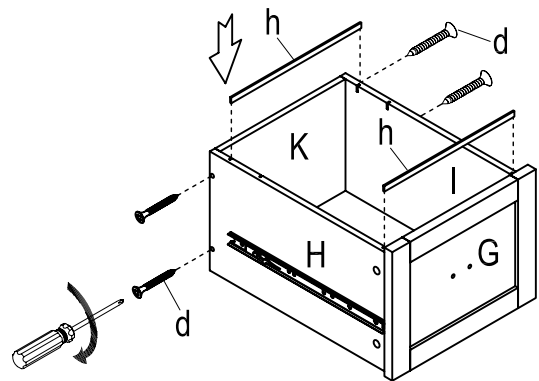
- c) Join panels (H) and (I) to panel (G) with dowel (a).



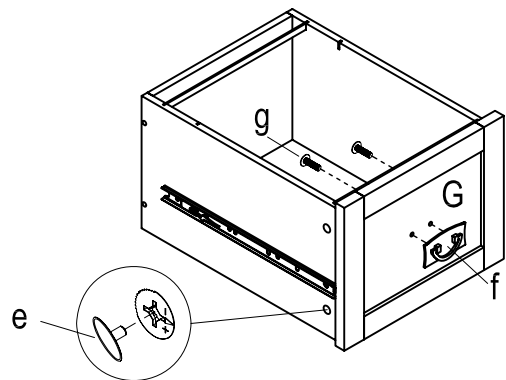
- d) Tighten bolt (b) with lock (c) in the pre-drilled holes. Slide panel (J) into the grooves on panels (H) and (I).



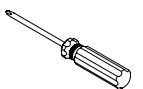
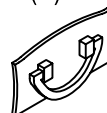
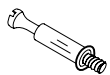
- e) Tighten panel (K) to the assembled body with screw (d). Insert metal bar (h) into panels (H) and (I).



- f) Tighten handle (f) to panel (G) with bolt (g).
- g) Cover the cam holes with short plastic cover (e).



Wood dowel	Cam lock bolt	Cam lock	Short plastic cover	1 in. Flat head screw	Handle	Handle bolt	Metal bar	Small head
(a) x 4	(b) x 8	(c) x 8	(e) x 8	(d) x 8	(f) x 2	(g) x 4	(h) x 4	



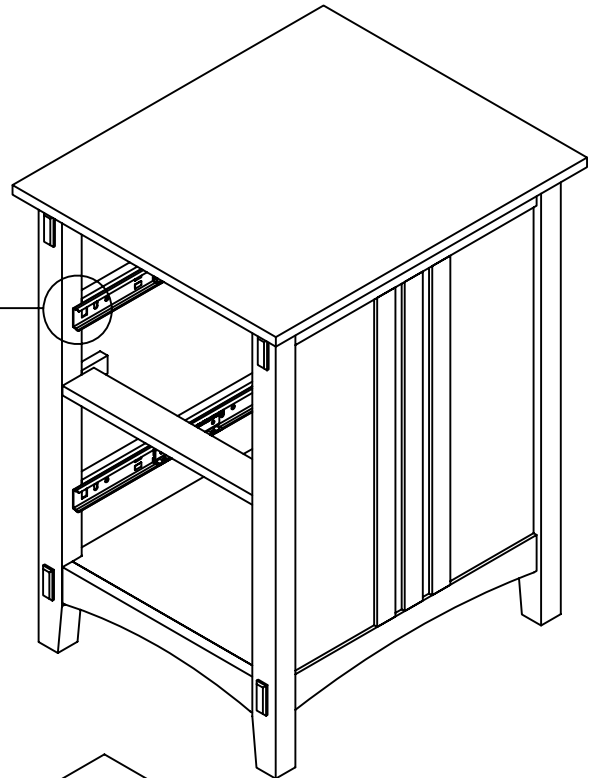
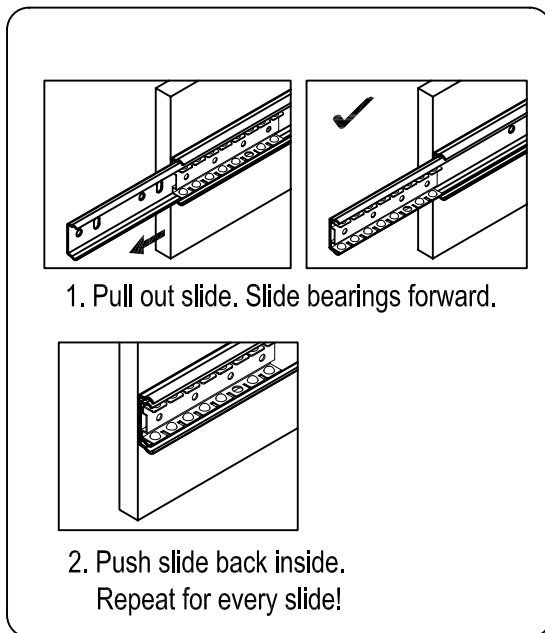
Assembly (continued)

5 Inserting the drawer

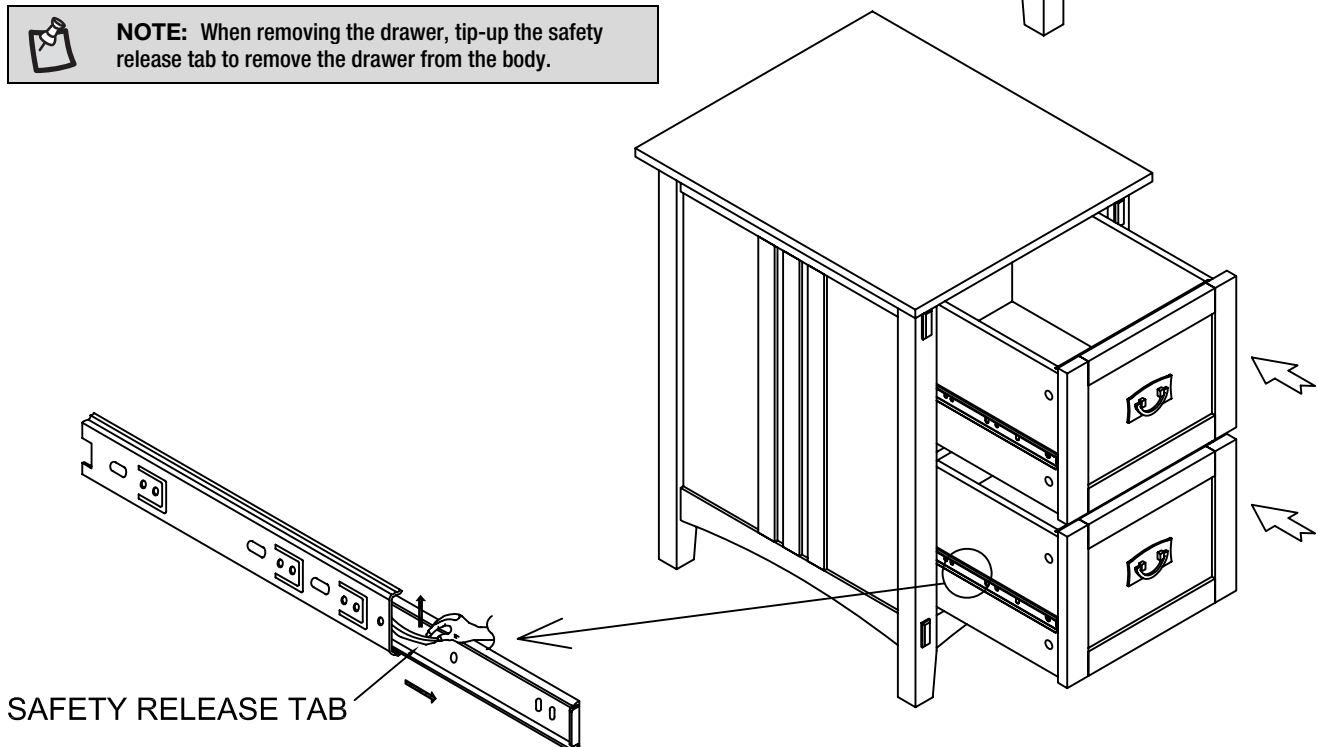
- Insert the drawer into the assembled body as shown.



NOTE: Make sure the slide piece is at the front end of the glide when installing the drawer into the body.



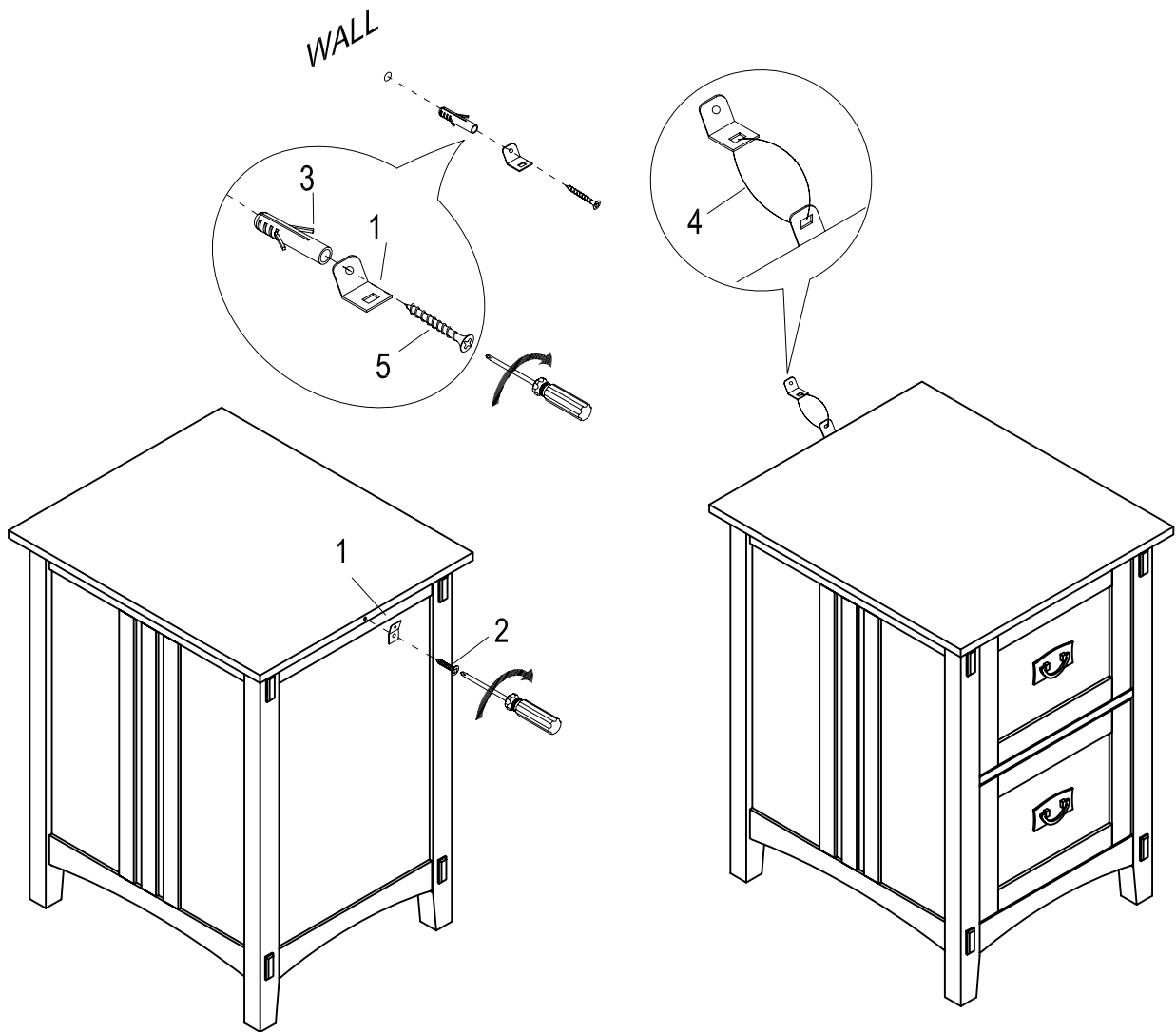
NOTE: When removing the drawer, tip-up the safety release tab to remove the drawer from the body.



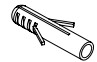

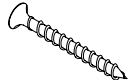
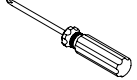


Assembly (continued)

6 Finalizing the assembly

- Install the anti-tipping hardware as shown.



Rectangle metal plate (1) x 2	3/4 in. Flat head screw (2) x 1	Plastic anchor (3) x 1	Plastic band (4) x 1	1-1/2 in. Flat head screw (5) x 1	Small head
					

HOME
DECORATORS
COLLECTION®

Questions, problems, missing parts?
Before returning to the store, call Home Decorators Collection Customer Service.
8 a.m. – 7 p.m., EST, Monday – Friday, 9 a.m. – 6 p.m., EST, Saturday

1-800-986-3460

[HOMEDEPOT.COM/HOMEDECORATORS](https://www.homedepot.com/homedecorators)

Retain this manual for future use.