

Spare parts list

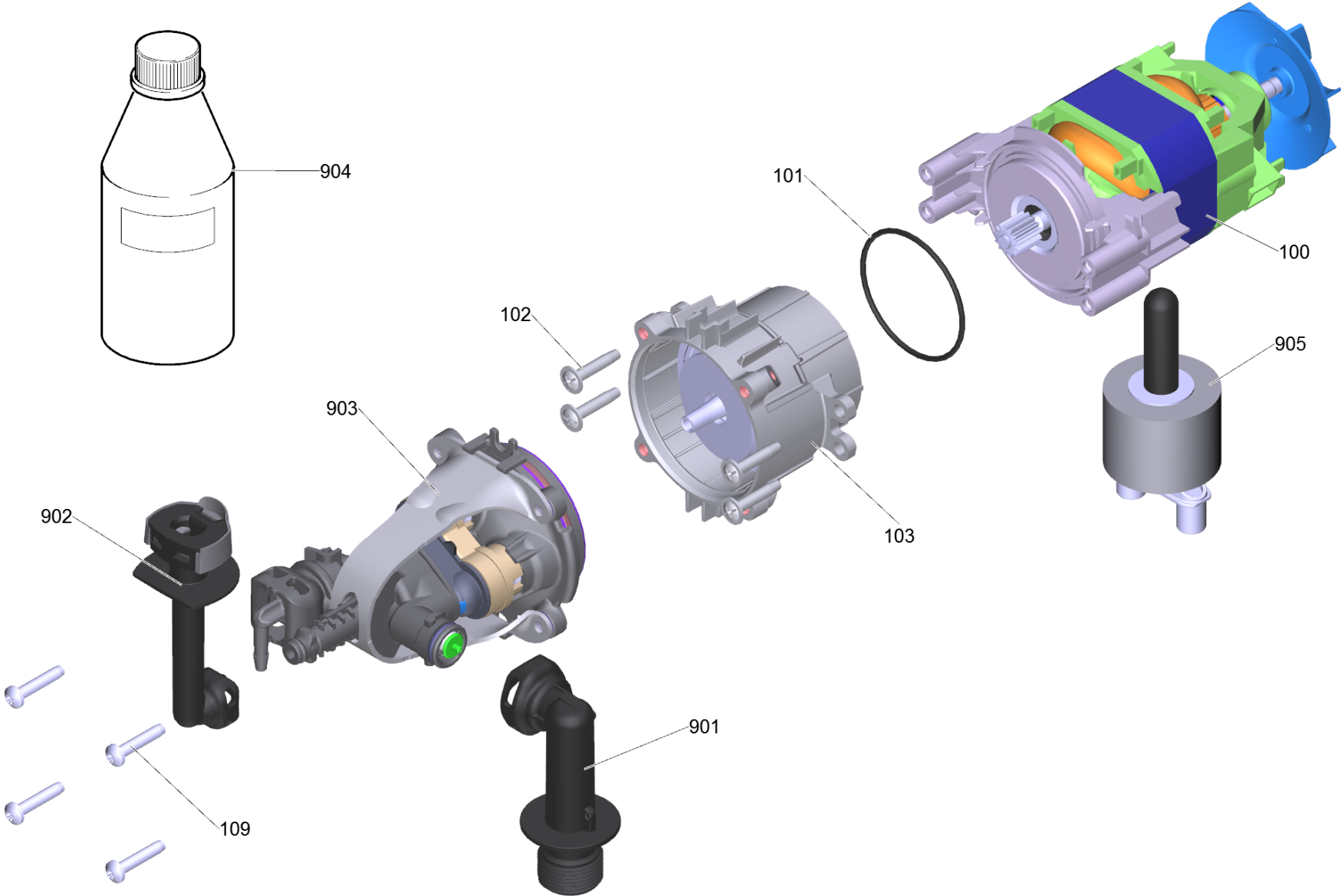
(1.673-609.0) K 2 Power Control *KNA

Table of contents

K 2 Power Control *KNA (1.673-609.0)	3
1 Pump set RVu K2* (1,1kW-QC)INA	5
103 Gear complete 5°35'/3,62 RV upr. (MSA)	7
901 Spare part set planet wheel (4.100-662.0)	9
901 Suction cover for replacement with SV5 (b) RV (4.063-921.0)	11
902 High-pressure outlet with clamp for repl (4.064-047.0)	13
903 Cylinder head for replacement (250) RV (4.551-251.0)	15
Cylinder head RV (247+Stk/NC-90°/SV b.)	17
40 Cylinder head RV K2 *	19
45 Spare parts set control piston with nipp (2.885-397.0)	21
43 Thrust guidance complete quadruple	23
7 Dirt blaster entry FC 0225 K (4.764-385.3)	25
8 VPS entry FC 019 (4.760-818.3)	27
10 Pistol entry (4.775-236.3)	29
13 High pressure hose 13,5MPa/8 40°C QCS B (6.396-717.0)	31
85 Switch complete RV */CA	33

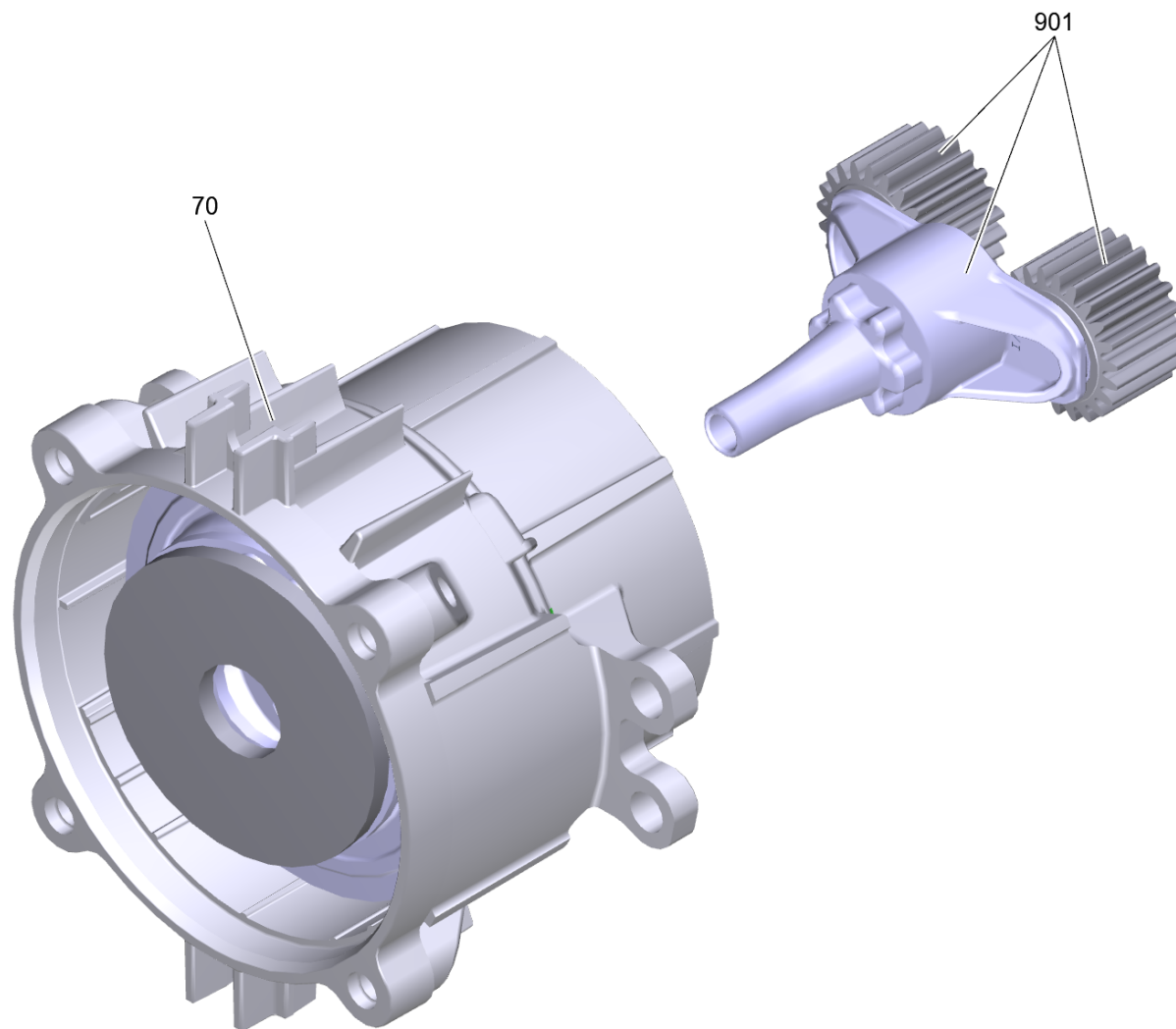
K 2 Power Control *KNA (1.673-609.0)

POS	Article no.	Description	Quantity	Unit
1		Pump set RVu K2* (1,1kW-QC)INA	1	PC
7	4.764-385.3	Dirt blaster entry FC 0225 K	1	PC
8	4.760-818.3	VPS entry FC 019	1	PC
10	4.775-236.3	Pistol entry	1	PC
13	6.396-717.0	High pressure hose 13,5MPa/8 40°C QCS B	1	PC
85		Switch complete RV */CA	1	PC
86	5.322-039.0	Handhold switch Modul Range	1	PC
87	6.649-290.0	Cable with plug GFCI * (SJTW AWG16/2)	1	PC
101	5.067-089.3	Housing pair K2 FC	1	PC
102	5.037-445.3	Holder handhold trolley K2 FC	1	PC
110	9.086-221.0	Screw ATF 4.1x22	7	PC
113	6.465-031.0	Connection 3/4	1	PC
114	4.645-365.0	Coupler with label complete	1	PC
122	5.731-652.0	Filter with weight	1	PC
123	6.388-216.0	Hose DN 5	1	m
160	5.515-357.0	Wheel D120 K2 Modul-Range	2	PC
163	5.322-041.0	Handhold Trolley K2 Modul-Range	1	PC
164	5.322-038.0	Handhold small K2 Modul-Range	1	PC
9000	4.067-050.0	Motor housing replacement with insert (V	1	PC



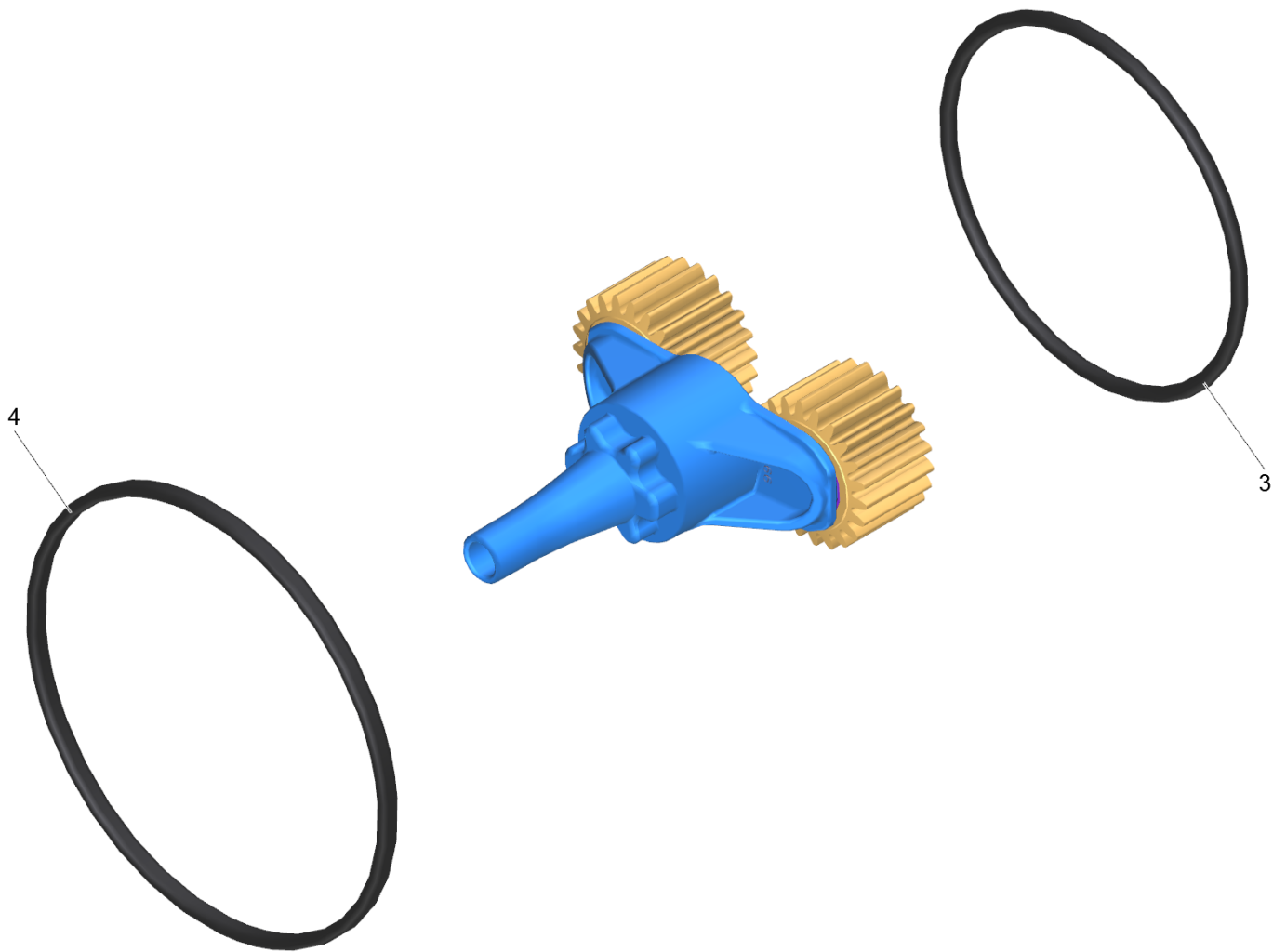
1 Pump set RVu K2* (1,1kW-QC)INA

POS	Article no.	Description	Quantity	Unit
100	4.100-721.0	Motor only for replacement 1,1 kW *US	1	PC
101	6.363-657.0	O-Ring seal 50x2.35 NBR 70	1	PC
102	6.303-260.0	Screw 5x26,4	4	PC
103		Gear complete 5°35'/3,62 RV upr. (MSA)	1	PC
109	6.303-519.0	Screw M5x25-10.9-A2E (IN6RD/T25)	4	PC
901	4.063-921.0	Suction cover for replacement with SV5 (b) RV	1	PC
902	4.064-047.0	High-pressure outlet with clamp for repl	1	PC
903	4.551-251.0	Cylinder head for replacement (250) RV	1	PC
904	6.288-112.0	Engine oil 10W-60, 1L	1	PC
905	2.100-023.0	Special tool motor K2	1	PC
		Item text1: Pay attention to Assembly instruction!		
		Item text2: Montageanleitung beachten!		



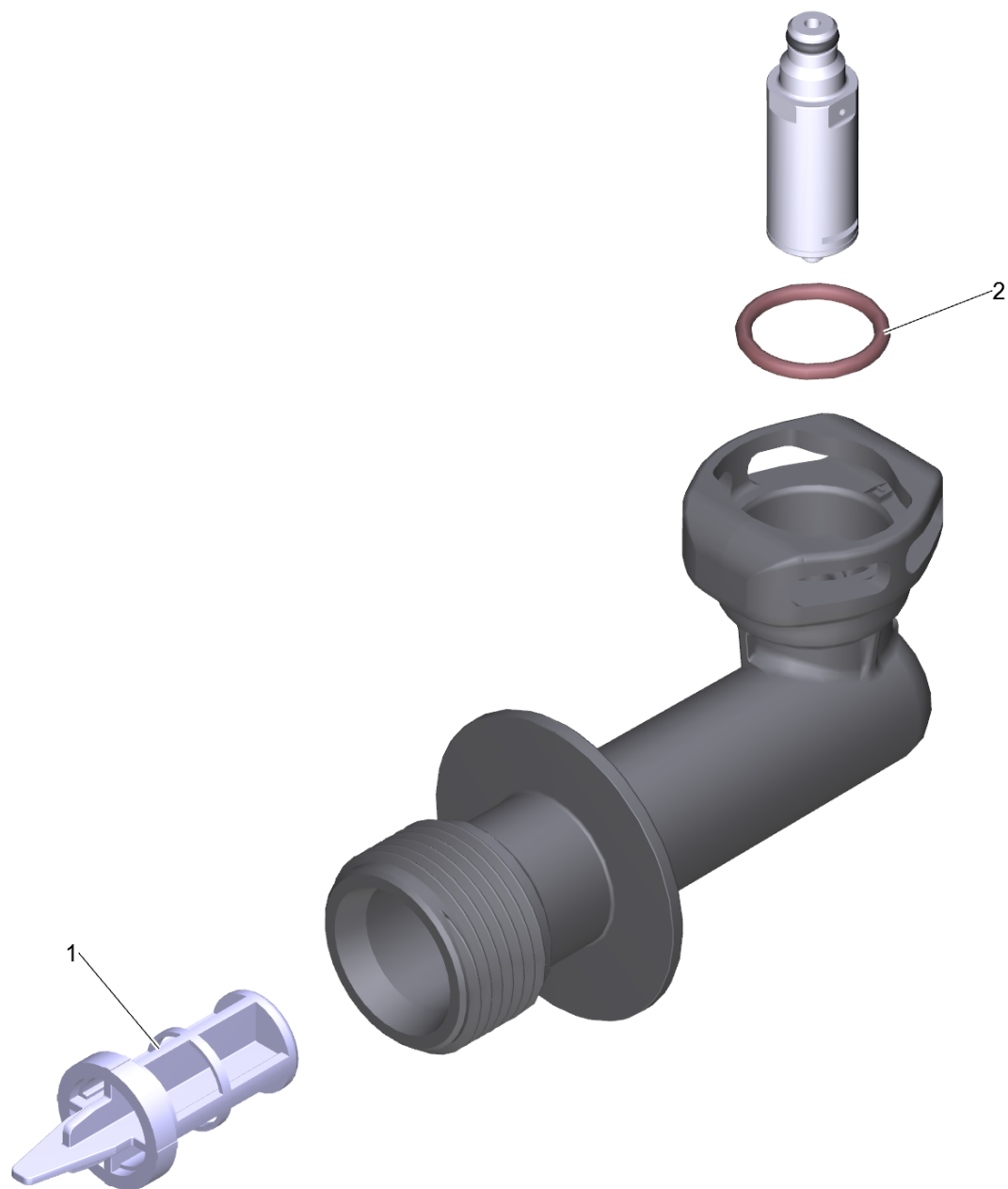
103 Gear complete 5°35'3,62 RV upr. (MSA)

POS	Article no.	Description	Quantity	Unit
70	5.062-124.3	Housing gear RV	1	PC
901	4.100-662.0	Spare part set planet wheel	1	PC



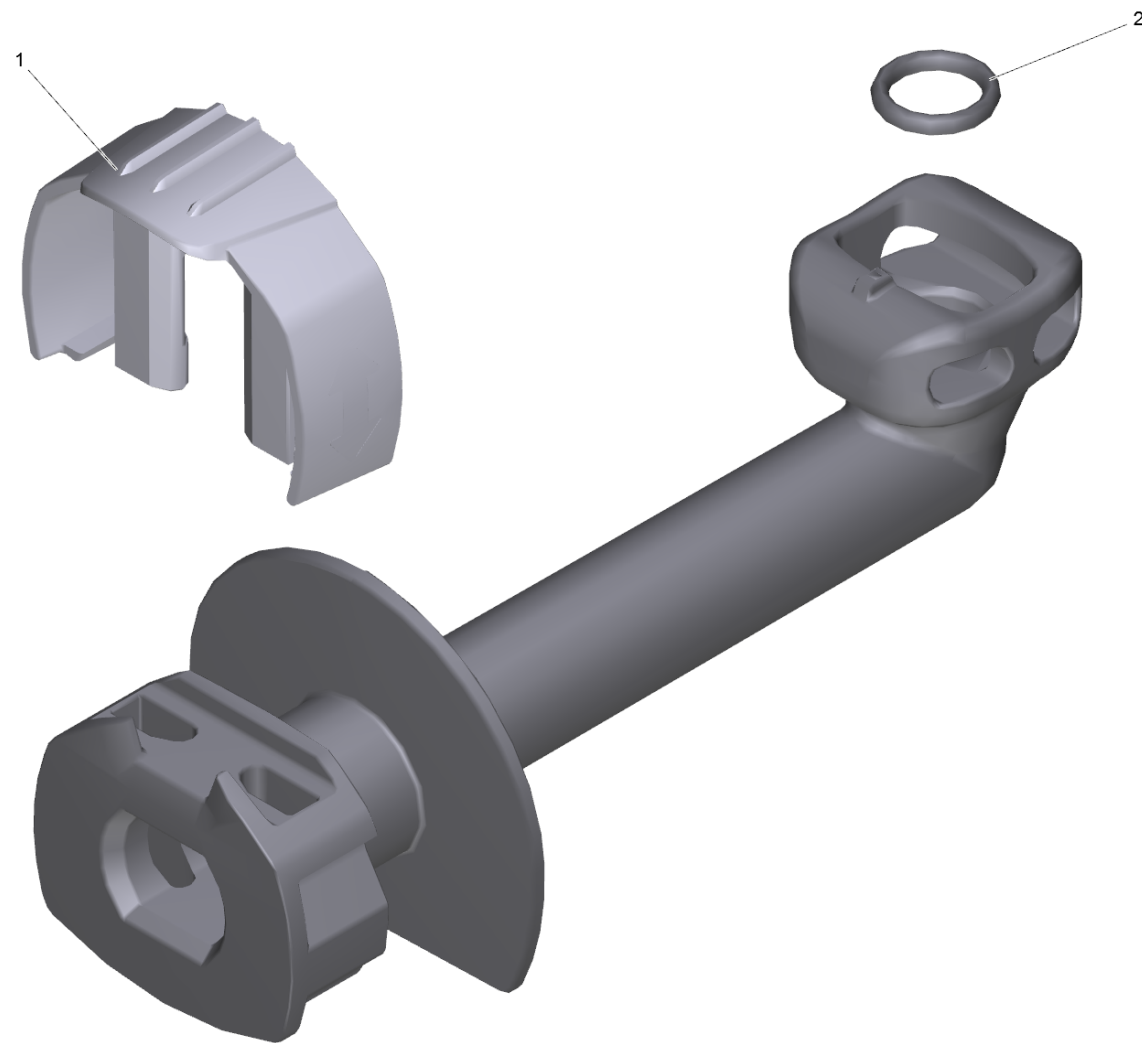
901 Spare part set planet wheel (4.100-662.0)

POS	Article no.	Description	Quantity	Unit
3	6.363-657.0	O-Ring seal 50x2.35 NBR 70	1	PC
4	6.362-826.0	O-Ring seal 61,6x2,62	1	PC



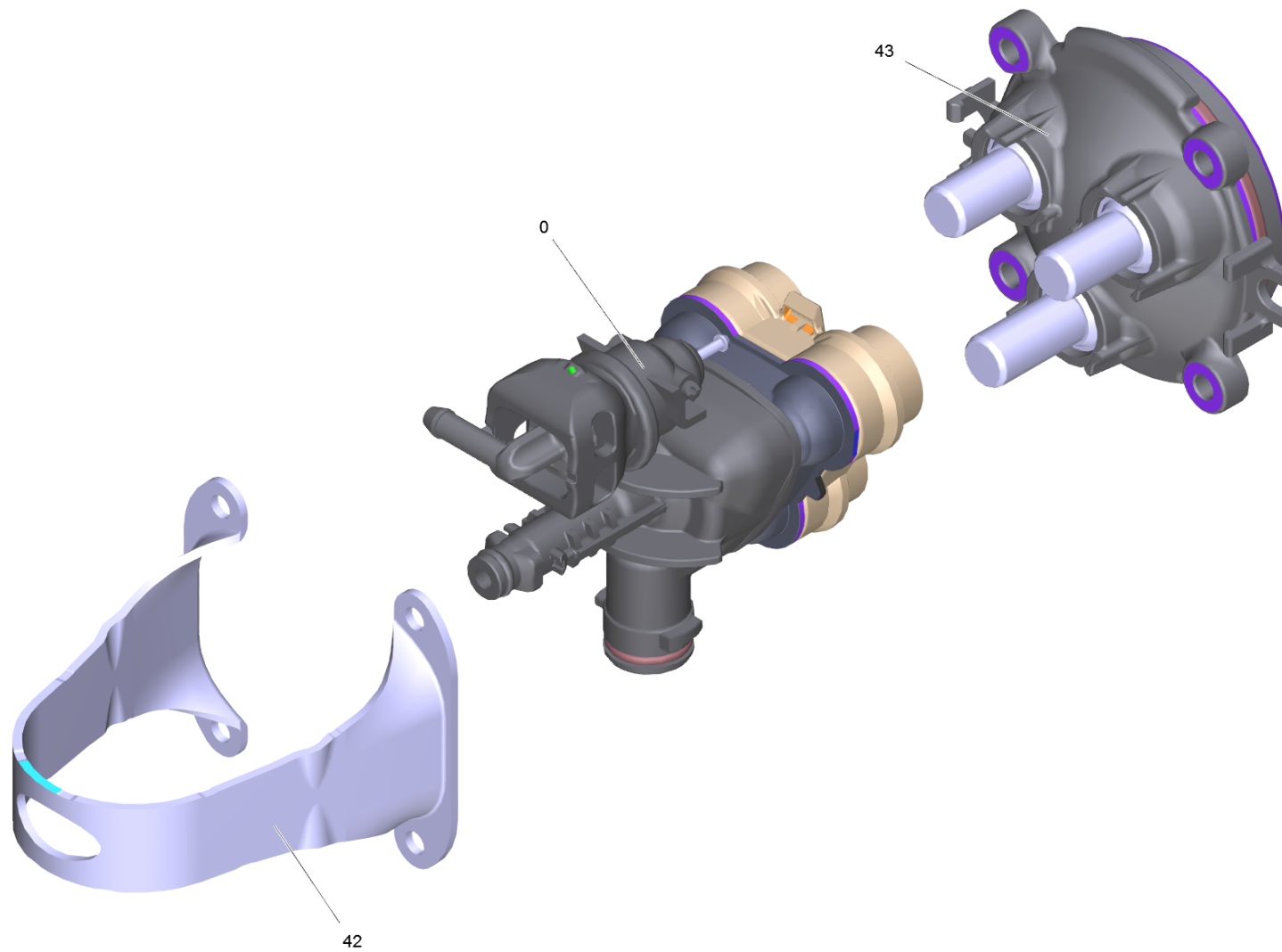
901 Suction cover for replacement with SV5 (b) RV (4.063-921.0)

POS	Article no.	Description	Quantity	Unit
1	5.731-004.0	Fine filter short (2015/17)	1	PC
2	6.362-427.0	O-Ring seal 15,0x2,0	1	PC



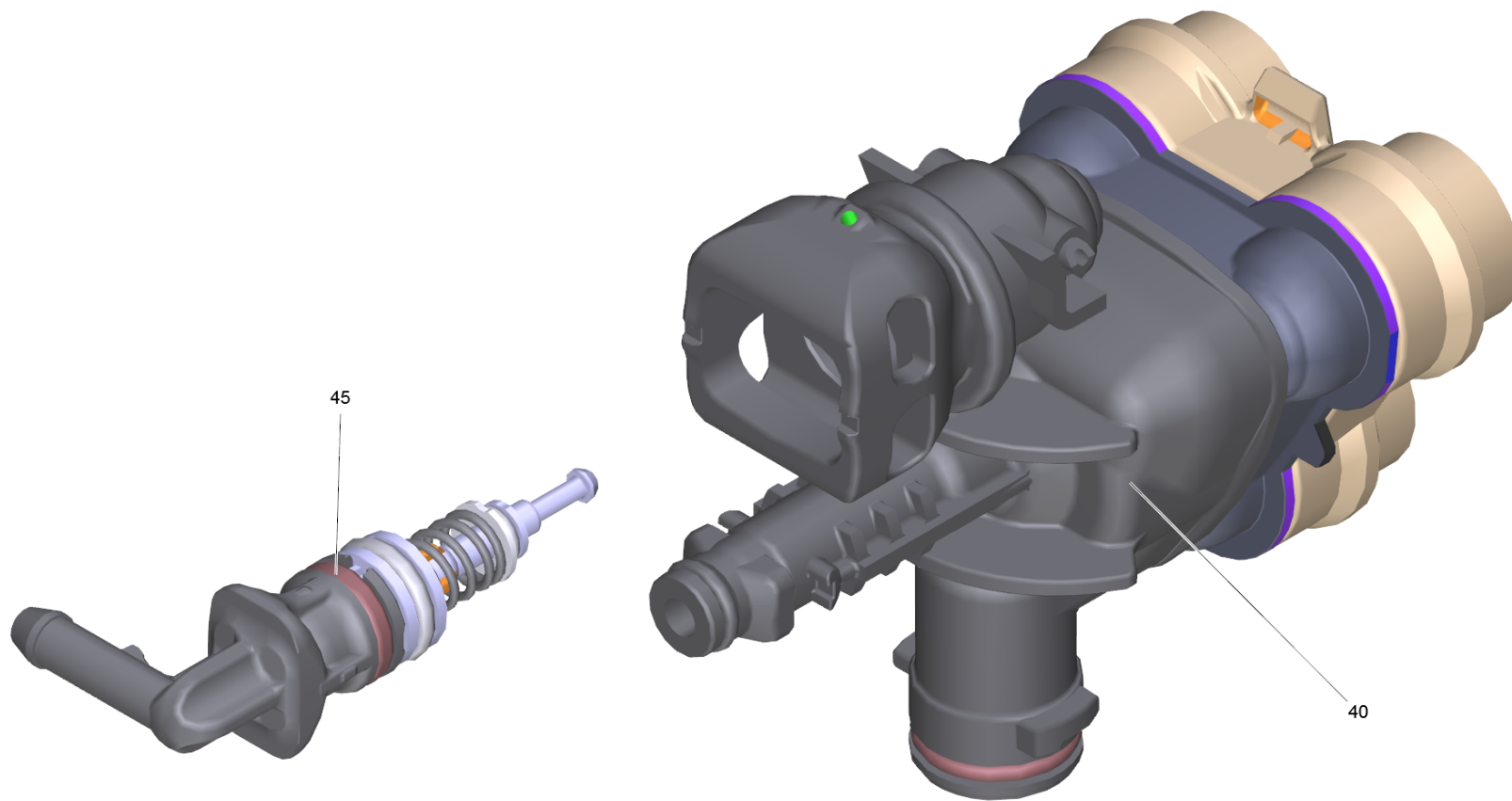
902 High-pressure outlet with clamp for repl (4.064-047.0)

POS	Article no.	Description	Quantity	Unit
1	5.037-463.0	Clamp for high-pressure outlet	1	PC
2	6.362-113.0	O-Ring seal 6,0 x 2,0 NBR 70	1	PC



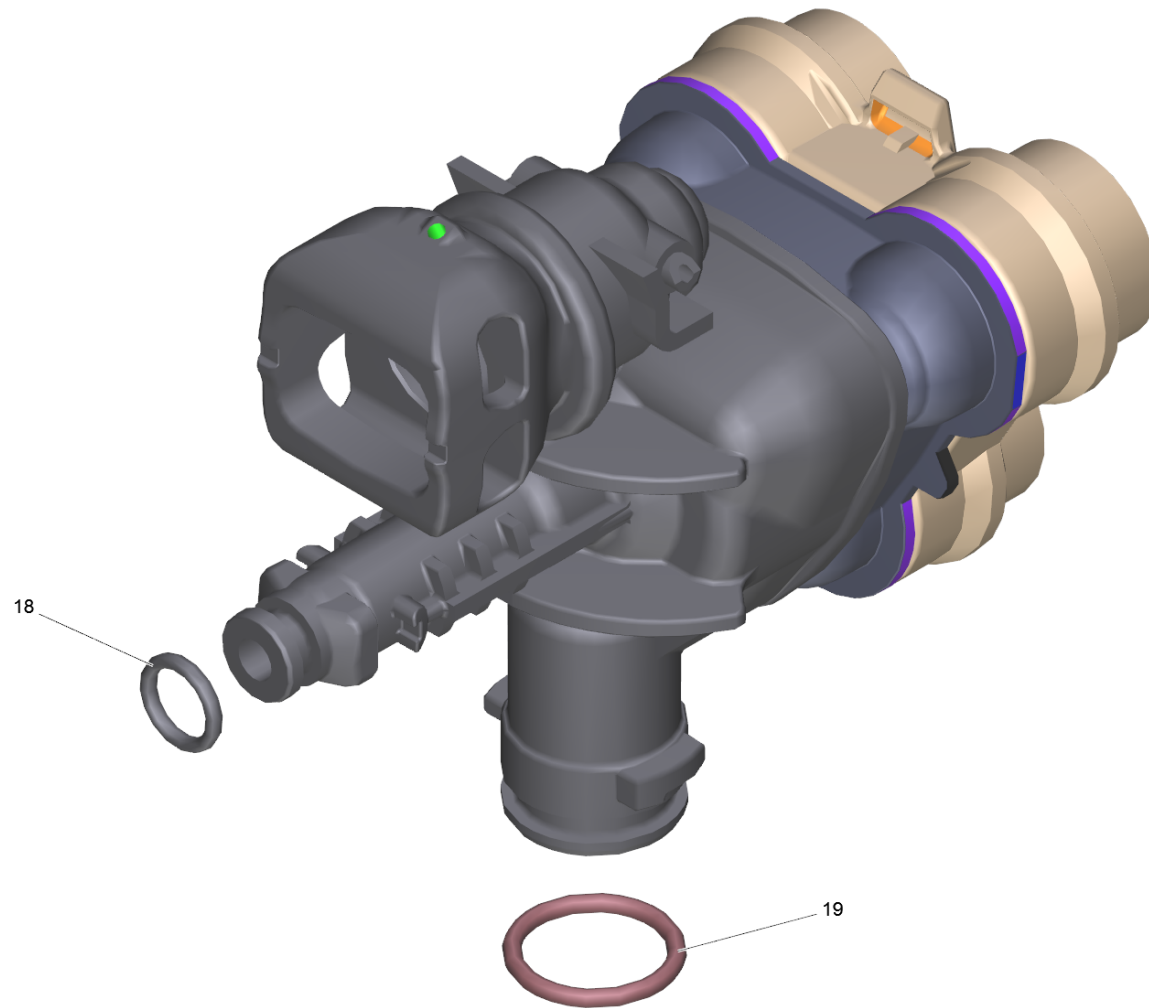
903 Cylinder head for replacement (250) RV (4.551-251.0)

POS	Article no.	Description	Quantity	Unit
0		Cylinder head RV (247+Stk/NC-90°/SV b.)	1	PC
42	5.051-384.0	Sheet metal component 4-fach	1	PC
43		Thrust guidance complete quadruple	1	PC



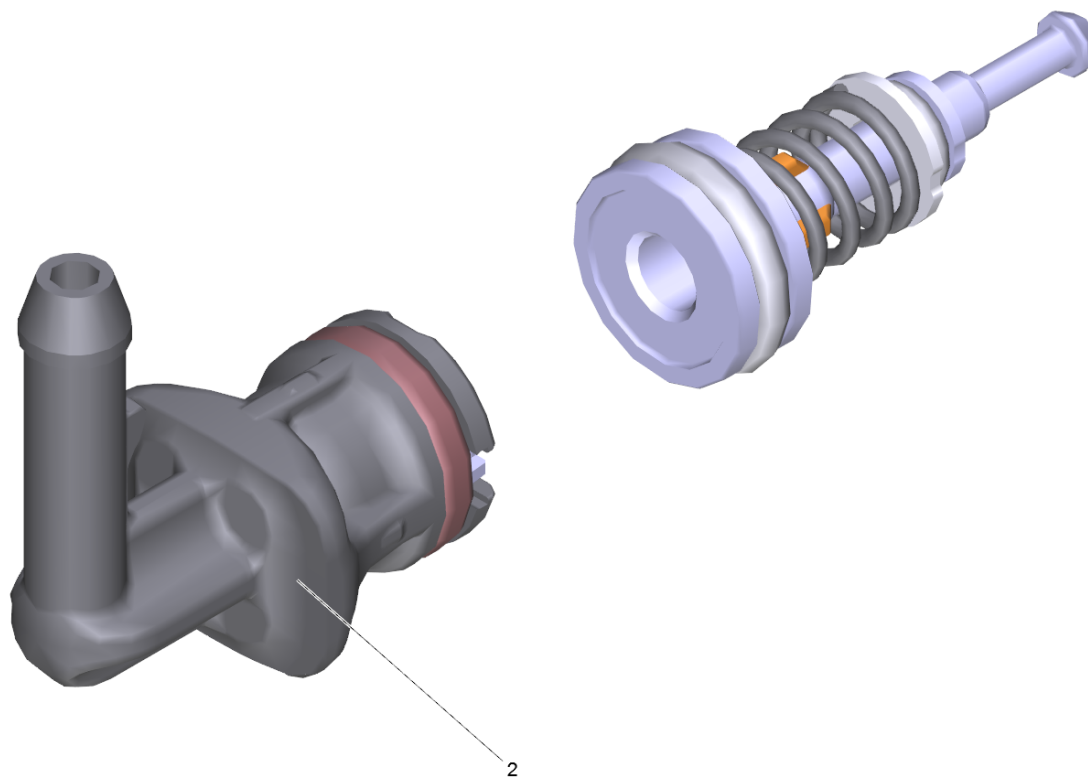
Cylinder head RV (247+Stk/NC-90°/SV b.)

POS	Article no.	Description	Quantity	Unit
40		Cylinder head RV K2 *	1	PC
45	2.885-397.0	Spare parts set control piston with nipp	1	PC



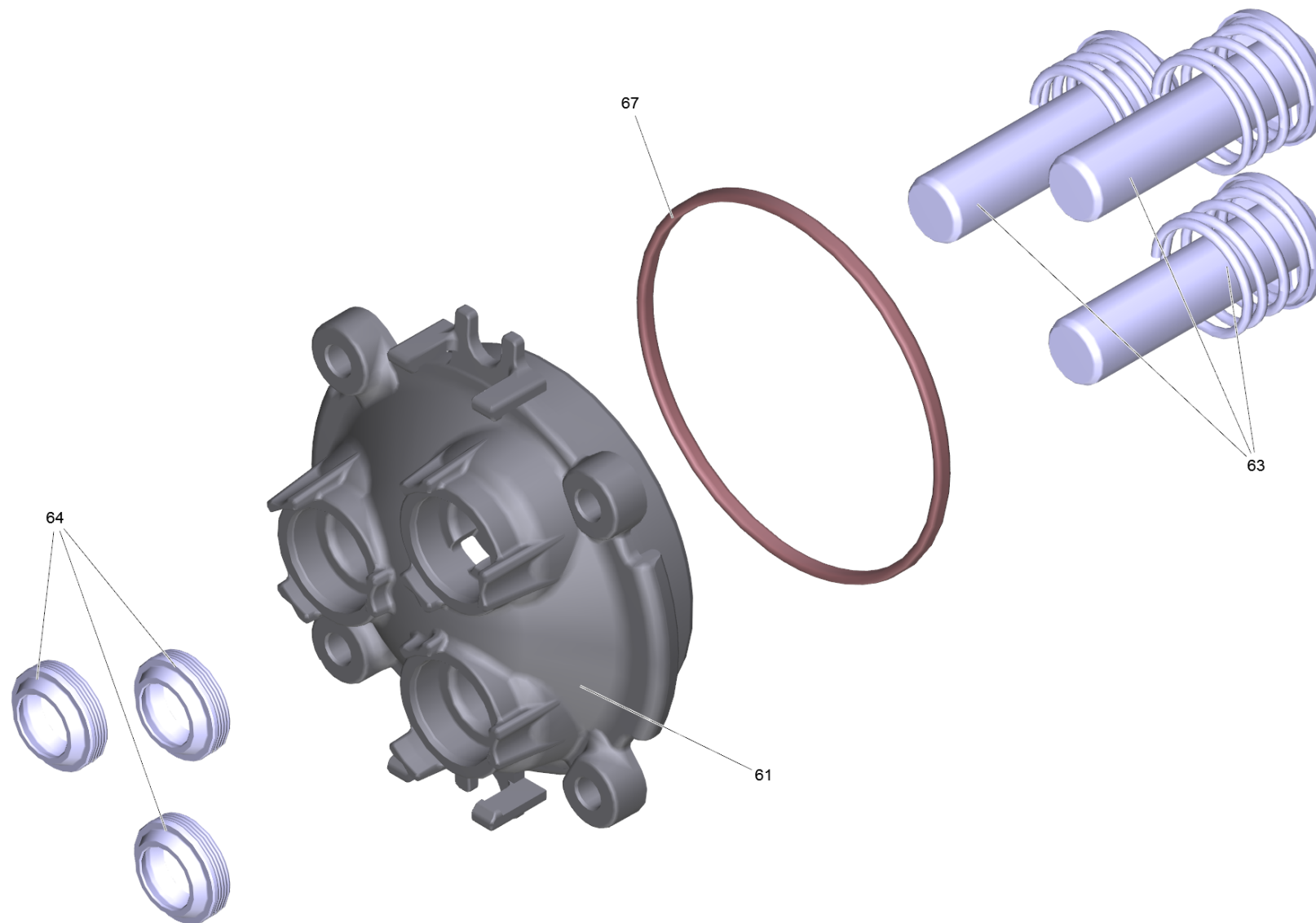
40 Cylinder head RV K2 *

POS	Article no.	Description	Quantity	Unit
18	6.362-113.0	O-Ring seal 6,0 x 2,0 NBR 70	1	PC
19	6.362-427.0	O-Ring seal 15,0x2,0	1	PC



45 Spare parts set control piston with nipp (2.885-397.0)

POS	Article no.	Description	Quantity	Unit
2	2.885-396.0	Spare parts set nipple chemistry RV	1	PC
900	6.288-088.0	Grease Molikote 55 M	1	PC



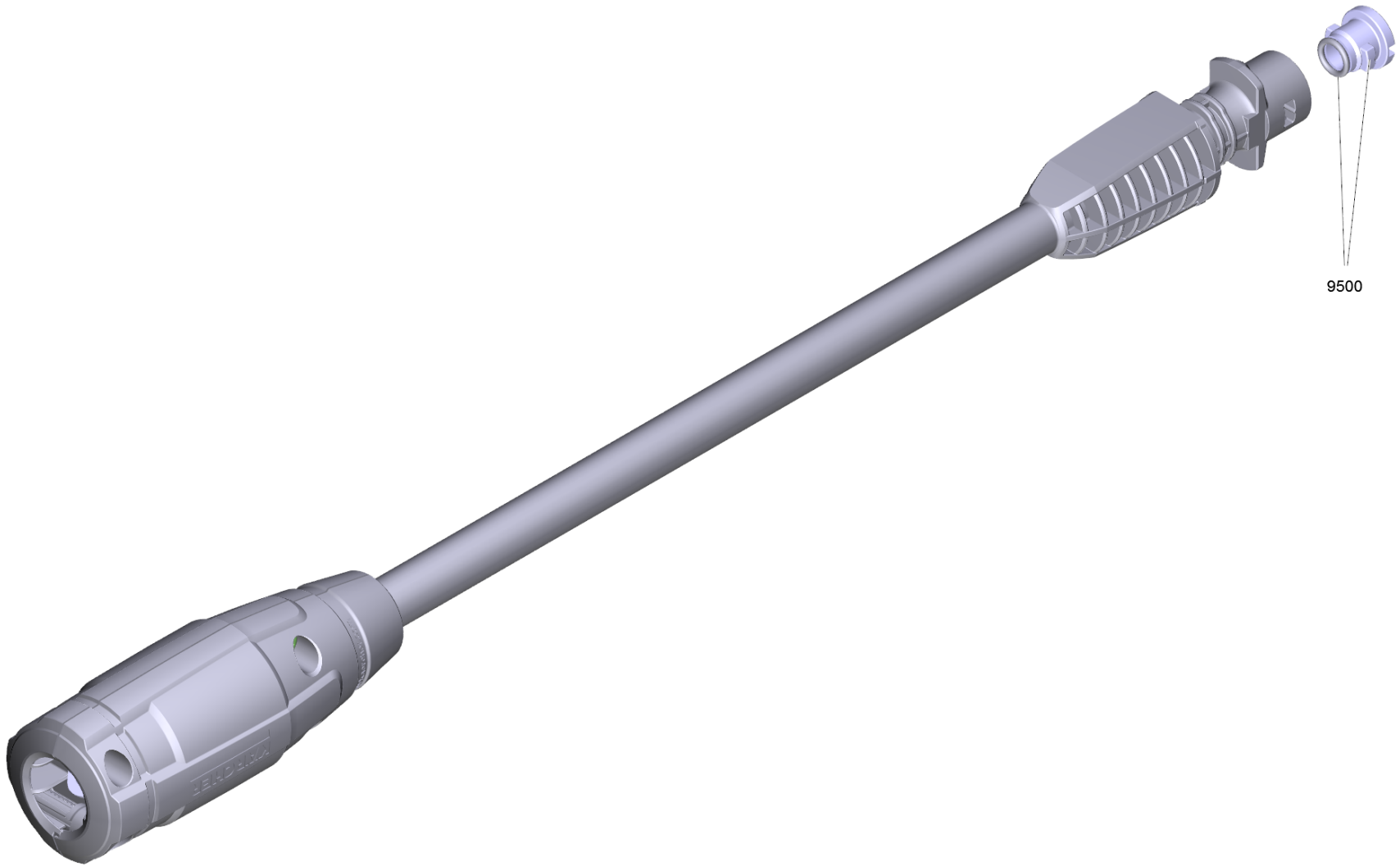
43 Thrust guidance complete quadruple

POS	Article no.	Description	Quantity	Unit
61	5.062-412.0	Thrust guidance V2 R V	1	PC
63	2.885-398.0	Spare parts set piston with spring RV	3	PC
64	6.365-581.0	Grooved ring 12x18x4/6 NBR 75 Shore A	3	PC
67	6.362-826.0	O-Ring seal 61,6x2,62	1	PC



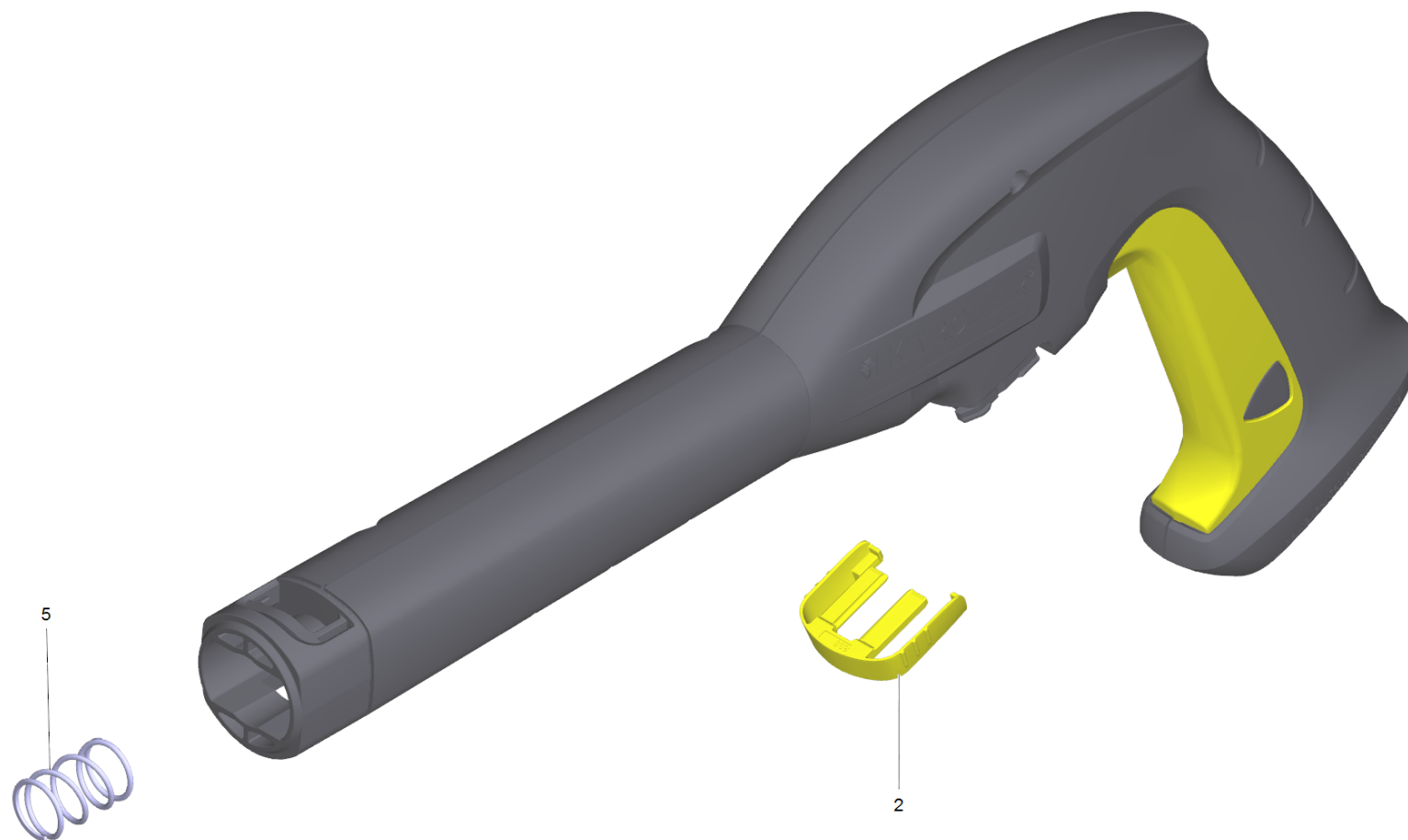
7 Dirt blaster entry FC 0225 K (4.764-385.3)

POS	Article no.	Description	Quantity	Unit
9500	2.640-729.0	O-Ring seal set	1	PC



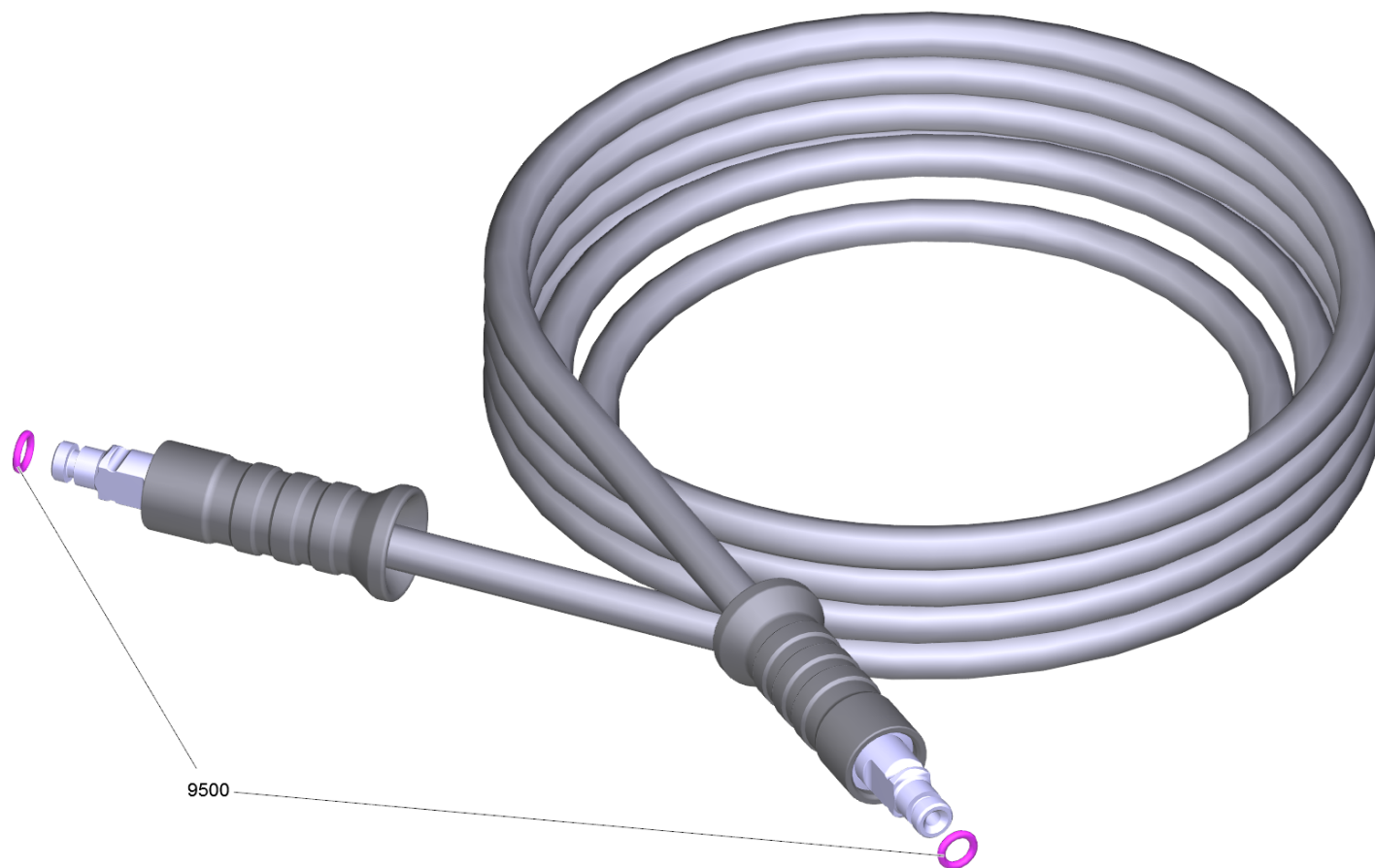
8 VPS entry FC 019 (4.760-818.3)

POS	Article no.	Description	Quantity	Unit
9500	2.640-729.0	O-Ring seal set	1	PC



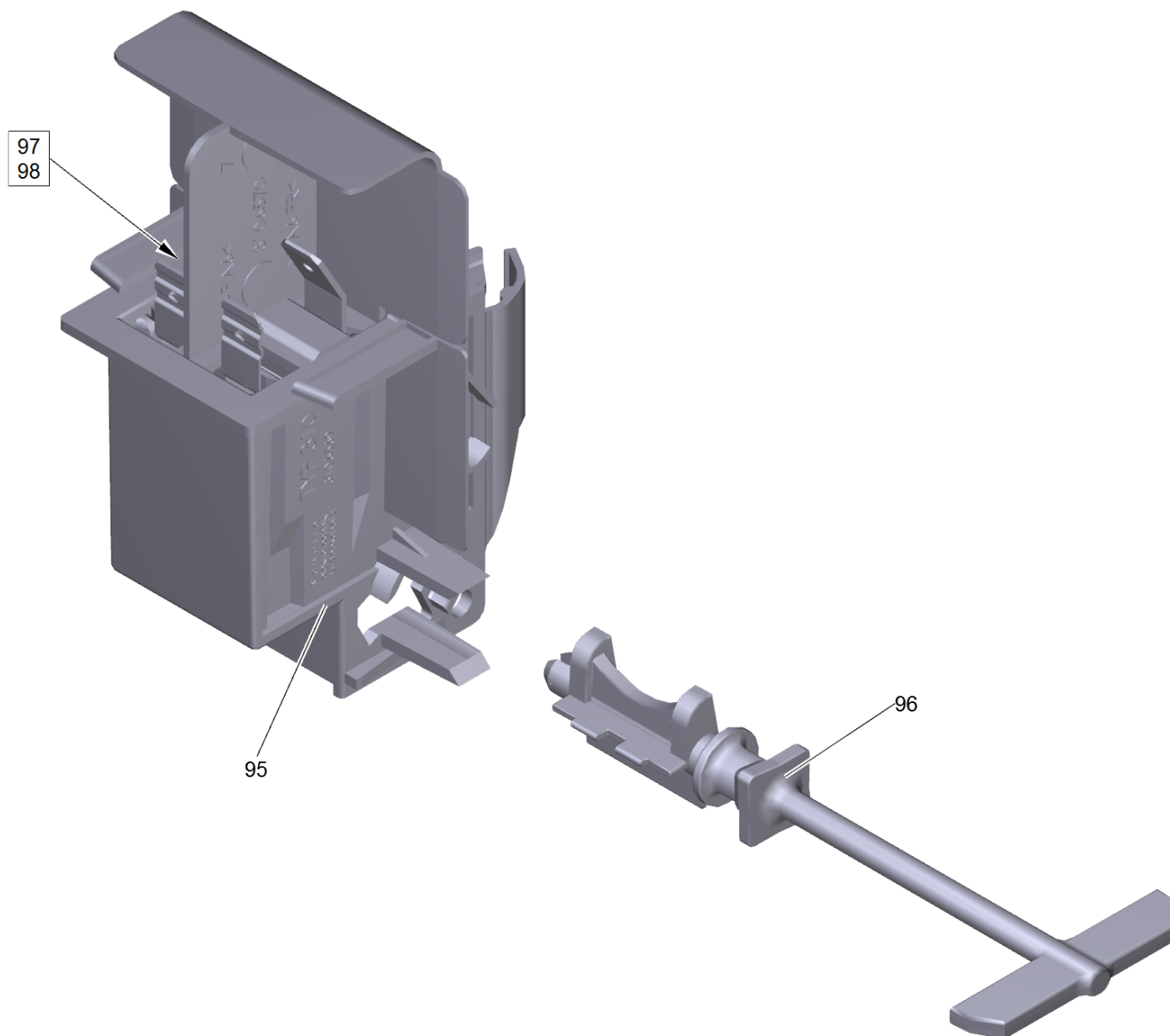
10 Pistol entry (4.775-236.3)

POS	Article no.	Description	Quantity	Unit
2	5.037-333.0	Clamp pistol Entry	1	PC
5	5.332-464.0	Pressure spring	1	PC



13 High pressure hose 13,5MPa/8 40°C QCS B (6.396-717.0)

POS	Article no.	Description	Quantity	Unit
9500	2.640-729.0	O-Ring seal set	1	PC



85 Switch complete RV */CA

POS	Article no.	Description	Quantity	Unit
95	6.630-768.0	Switch replacement + UL/CSA RV	1	PC
96	5.105-659.0	Axle UZS 75.5mm	1	PC
97	6.648-586.0	Cable motor brown AWG18x280mm	1	PC
98	6.648-587.0	Cable motor red AWG18x225mm	1	PC