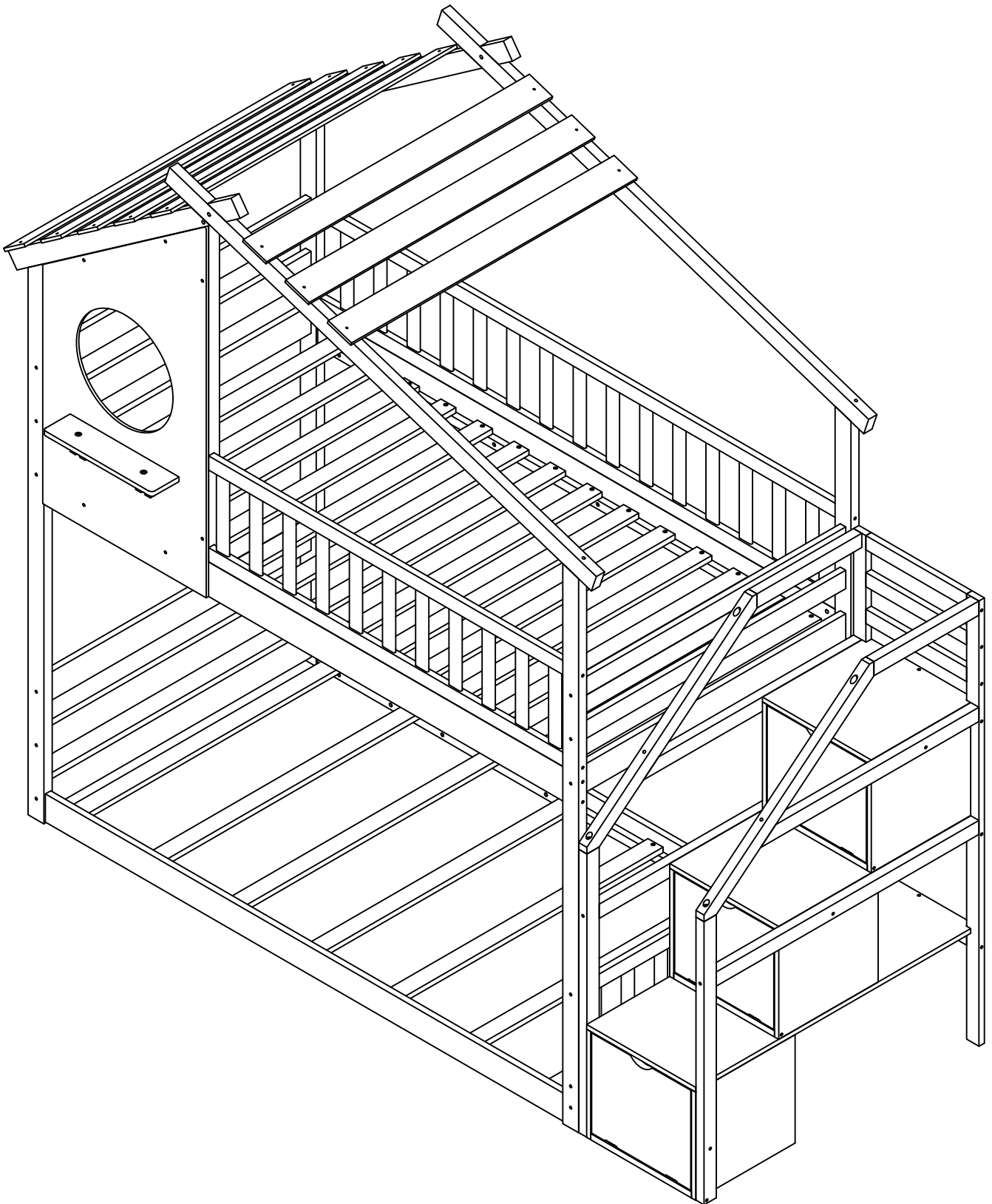


# ASSEMBLY INSTRUCTIONS

## TWIN TWIN HOUSE BUNK BED



WF289125/WF289126/WF289127

# ASSEMBLY INSTRUCTIONS



## **SAFETY WARNINGS**



1. This bed is designed for use only mattress (es) meeting the following specifications on the upper bunk, and lower bunk:

**Upper bunk (bunk bed and tribed included)**

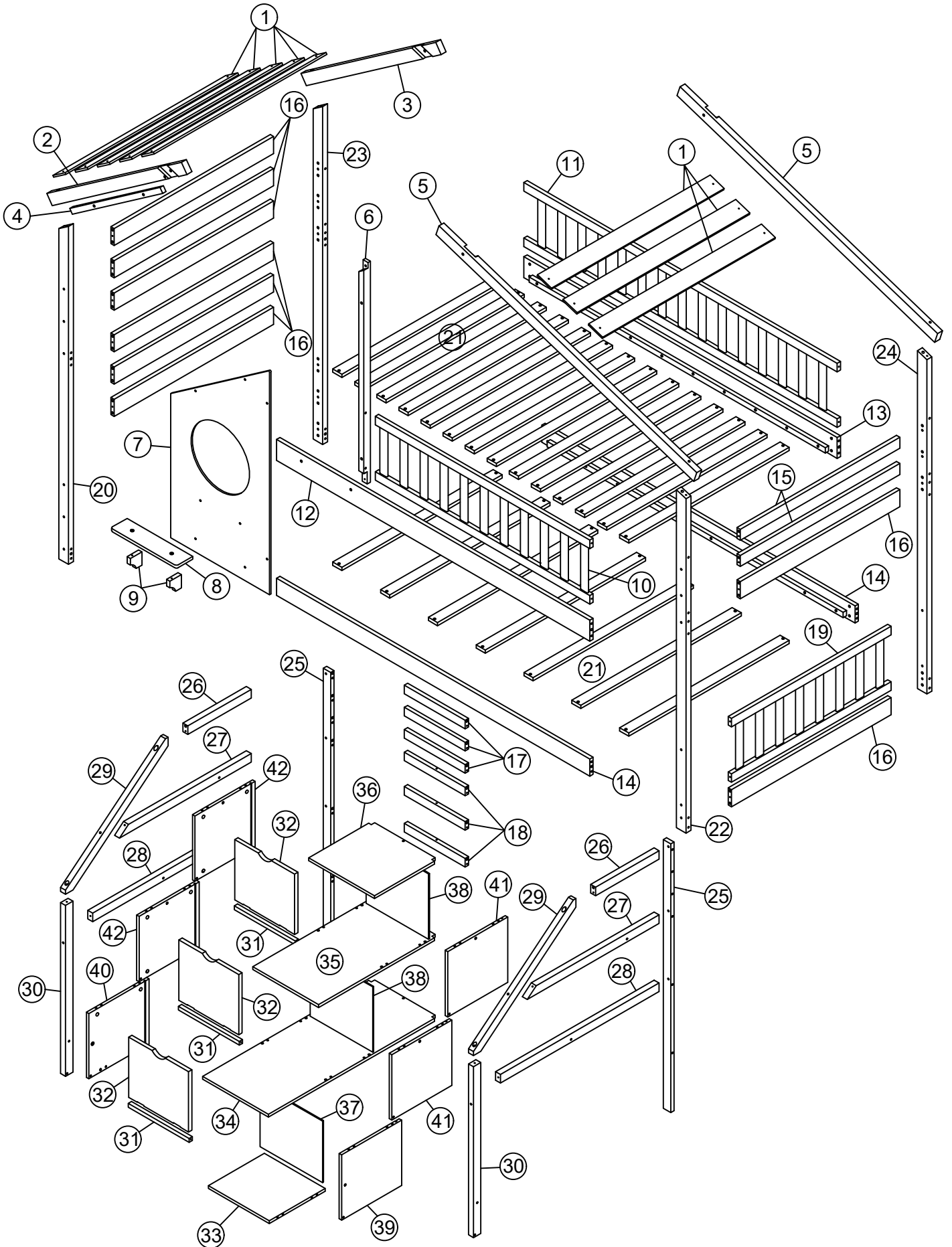
<b>Bed Type</b>	<b>Length</b>	<b>Width</b>	<b>Thickness</b>
Twin Standard	74" - 75"	37 $\frac{1}{2}$ " - 38 $\frac{1}{2}$ "	6" max

**Lower bunk**

<b>Bed Type</b>	<b>Length</b>	<b>Width</b>	<b>Thickness</b>
Twin Standard	74" - 75"	37 $\frac{1}{2}$ " - 38 $\frac{1}{2}$ "	8"

2. Replacement parts, including additional guardrails, maybe obtained from any of our (GIGACLOUD TECHNOLOGY (USA) INC. 18961 ARENTH AVENUE CITY OF INDUSTRY, CA, 91748) dealers
3. Follow the information on the warnings appearing on the upper bunk bed end structure and on the carton. Do not remove warning label from bed.
4. Always use the recommended size mattresses or mattress supports, or both, to help prevent the likelihood of entrapment or falls.
5. Surface of mattress must be at least 5" (127mm) below the upper edge of guardrails.
6. Do not allow children under 6 years of age to use the upper bunk.
7. Periodically check and ensure that the guardrail, ladder, and other components are in their proper position, free from damage, and that all connectors are tight.
8. Do not allow horseplay on or under the bed and prohibit jumping on the bed.
9. Always use the ladder for entering and leaving the upper bunk.
10. Do not use substitute part. Contact the manufacture or dealer for replacement part.
11. Use of a night light may provide added safety precaution for a child using the upper bunk.
12. Always use guardrails on both long sides of the upper bunk. If the bunk bed will be placed next to the wall, the guardrail that runs the full length of the bed should be placed against the wall to prevent entrapment between the bed and wall.
13. The use of water or sleep flotation mattresses is prohibited.
14. **STRANGULATION HAZARD** - Never attach or hang items to any part of the bunk bed that are not designed for use with the bed; for example, but not limited to, hook, belts and jump ropes.
15. Keep these instruction for future reference.
16. Prohibit more than one person on upper bunk
17. We recommend assembling your bunk bed on the shipping carton to protect your floor or carpet.
18. Be certain all staples are out of the box before beginning assembly on the shipping carton.

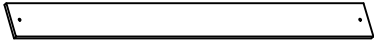
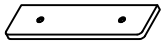
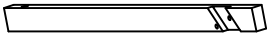

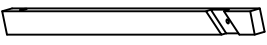
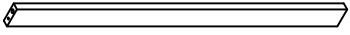

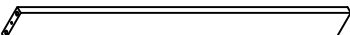
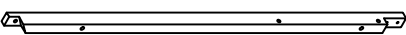
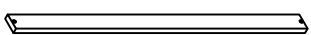

# ASSEMBLY INSTRUCTIONS



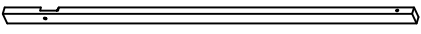
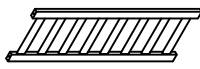

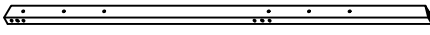
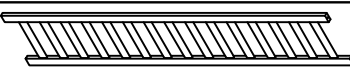
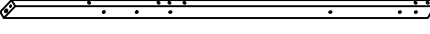
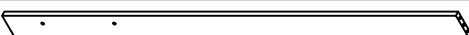
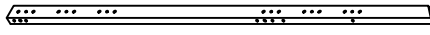
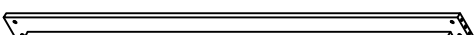
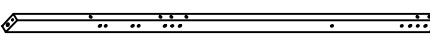
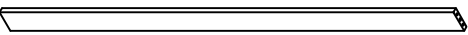
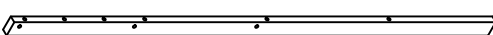
# ASSEMBLY INSTRUCTIONS

## PARTS LIST

WF289125 ( Hardware in this SKU)

<b>1</b>	 Roof panels	8pcs	<b>8</b>	 Window bar	1pc
<b>2</b>	 Roof left front support	1pc	<b>9</b>	 Window bar supports	2pcs
<b>3</b>	 Roof left back support	1pc	<b>15</b>	 Head board panel	2pcs
<b>4</b>	 Roof bottom support	1pc	<b>16</b>	 Head board panels	8pcs
<b>6</b>	 Roof bottom front support	1pc	<b>21</b>	 Slats (upper 14pcs / lower 7pcs)	21pcs
<b>7</b>	 Window panel	1pc			

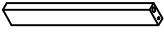

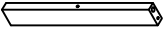

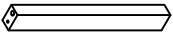

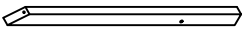
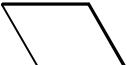
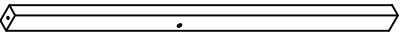
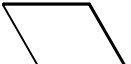
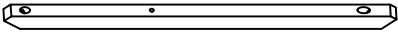

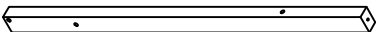




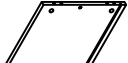
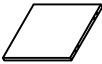
WF289126

<b>5</b>	 Roof right supports	2pcs	<b>19</b>	 Foot board bottom frame	1pc
<b>10</b>	 Front guard rail frame	1pc	<b>20</b>	 Left front leg	1pc
<b>11</b>	 Back guard rail frame	1pc	<b>22</b>	 Right front leg	1pc
<b>12</b>	 Upper front side rail	1pc	<b>23</b>	 Left back leg	1pc
<b>13</b>	 Upper back side rail	1pc	<b>24</b>	 Right back leg	1pc
<b>14</b>	 Lower side rails	2pcs	<b>25</b>	 Right & left back frame	2pcs

# ASSEMBLY INSTRUCTIONS










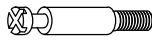



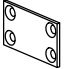

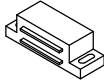

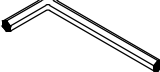

## PARTS LIST

WF289127

<b>17</b>	 Top back frame	3pcs	<b>34</b>	 Storage ladder between panel	1pc
<b>18</b>	 Bottom back frame	3pcs	<b>35</b>	 Storage ladder between panel	1pc
<b>26</b>	 Top storage ladder support	2pcs	<b>36</b>	 Storage ladder top panel	1pc
<b>27</b>	 Between storage ladder support	2pcs	<b>37</b>	 Storage ladder back panel	1pc
<b>28</b>	 Bottom storage ladder support	2pcs	<b>38</b>	 Storage ladder back panel	2pcs
<b>29</b>	 Top front storage ladder support	2pcs	<b>39</b>	 Storage ladder side panel	1pc
<b>30</b>	 Front storage ladder support	2pcs	<b>40</b>	 Storage ladder side panel	1pc
<b>31</b>	 Storage ladder support	3pcs	<b>41</b>	 Storage ladder side panel	2pcs
<b>32</b>	 Storage ladder door panels	3pcs	<b>42</b>	 Storage ladder side panel	2pcs
<b>33</b>	 Storage ladder bottom panel	1pc			

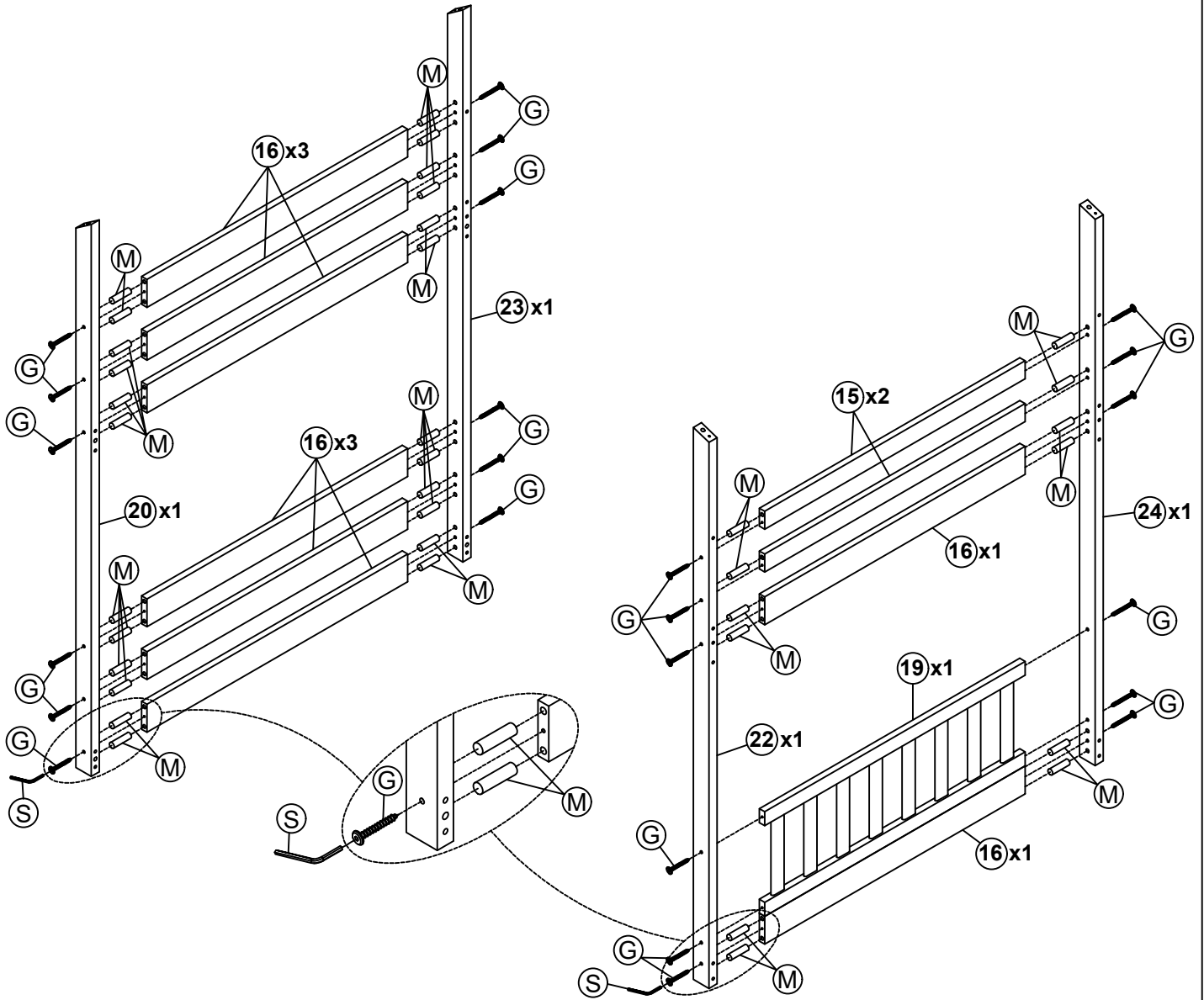
# ASSEMBLY INSTRUCTIONS



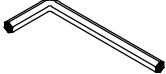
## HARDWARE LIST (WF289125)

<b>A</b>	Ø4x30		44PCS	<b>K</b>	1/4x40		9PCS
<b>B</b>	Ø4x25		16PCS	<b>L</b>	1/4x25		6PCS
<b>C</b>	Ø4x15		8PCS	<b>M</b>	Ø10x40		62PCS
<b>D</b>	Ø3x15		18PCS	<b>N</b>	Ø8x30		24PCS
<b>E</b>	6.5x100		10PCS	<b>O</b>	Ø 6.5x35		24PCS
<b>F</b>	6.5x90		18PCS	<b>P</b>	Ø15x12		24PCS
<b>G</b>	6.5x80		30PCS	<b>Q</b>	50x28x2		2PCS
<b>H</b>	6.5x60		9PCS	<b>R</b>	44x17x14		3PCS
<b>I</b>	6.5x40		11PCS	<b>S</b>	4x58		1PC
<b>J</b>	1/4x110		16PCS				

# ASSEMBLY INSTRUCTIONS

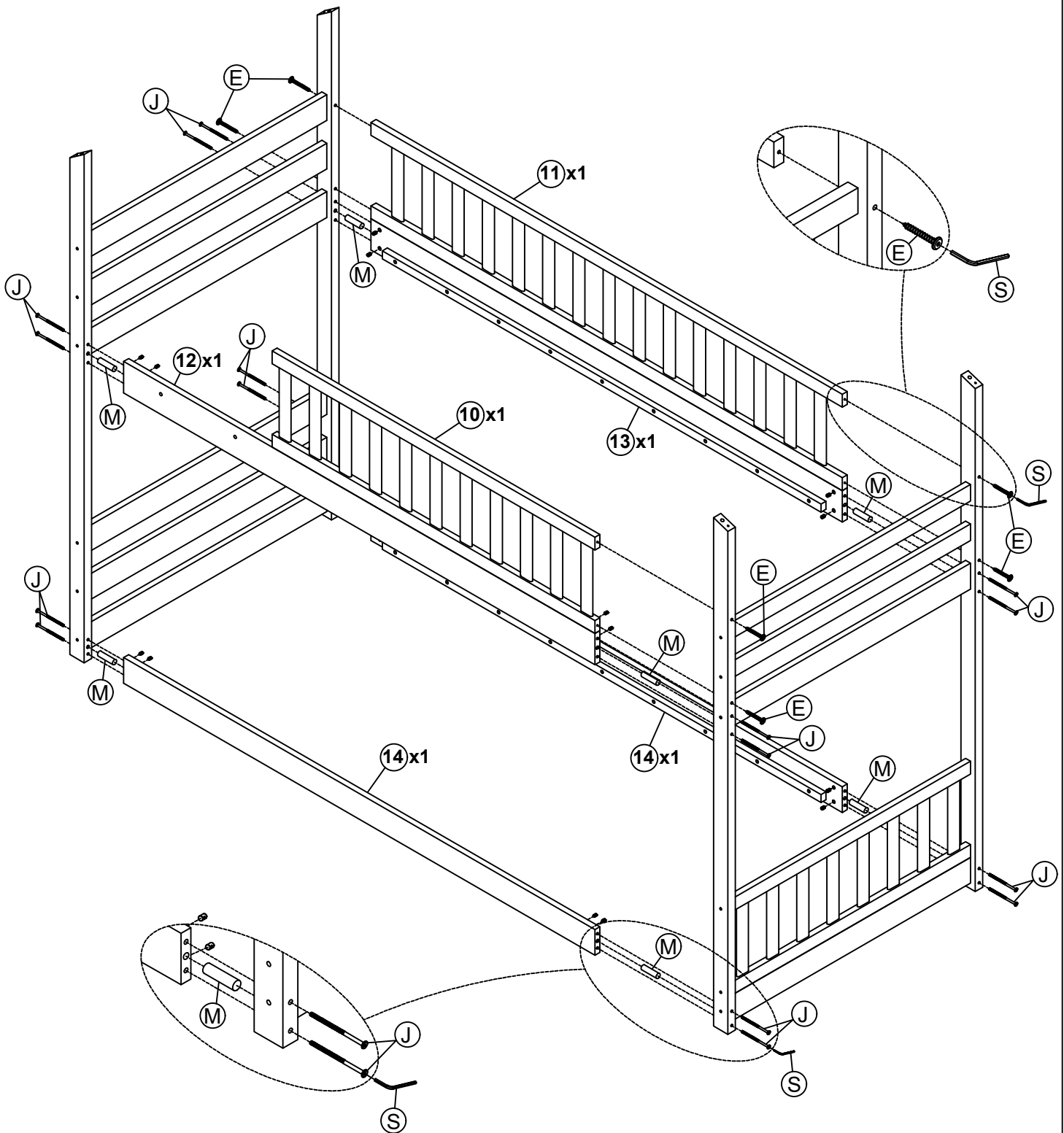
## Step 1







<b>M</b>	Ø10x40		36PCS			
<b>G</b>	6.5x80		24PCS	<b>S</b>	4x58	
						1PC

# ASSEMBLY INSTRUCTIONS

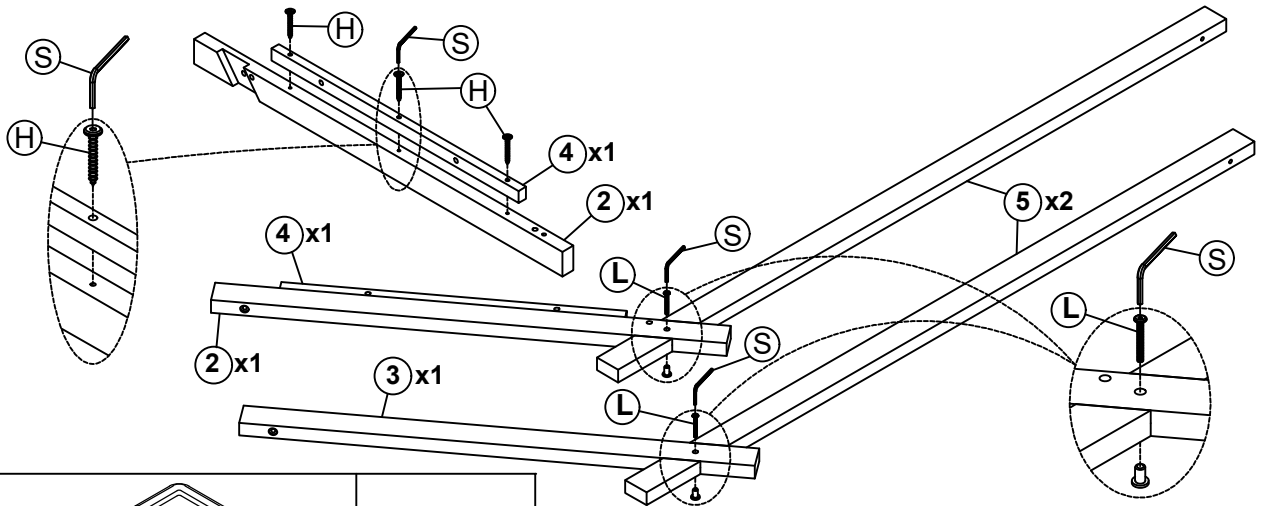
## Step 2



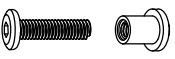


<b>E</b>	6.5x100		6PCS	<b>S</b>	4x58		1PC
<b>M</b>	Ø10x40		8PCS	<b>J</b>	1/4x110		16PCS

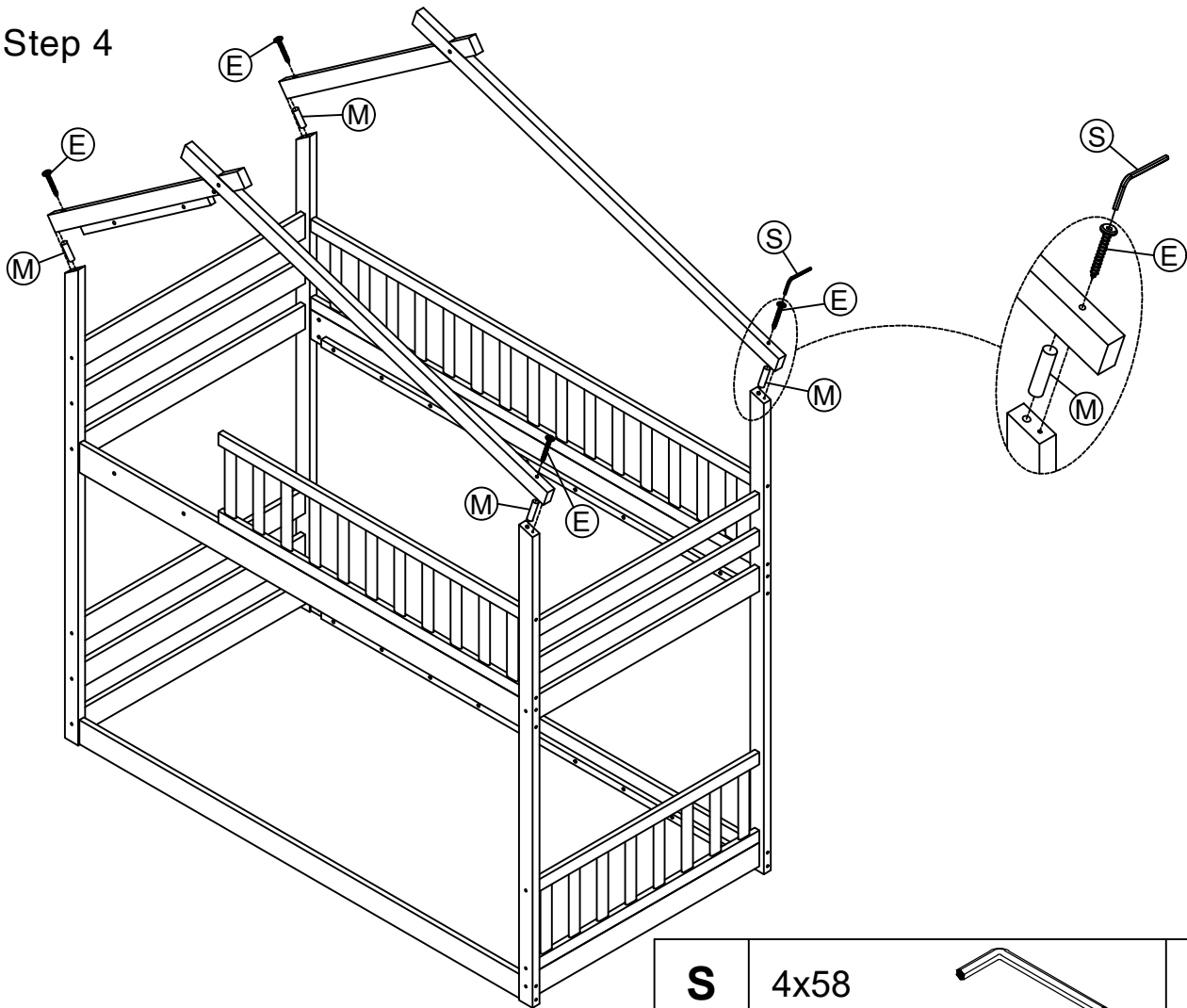
# ASSEMBLY INSTRUCTIONS




Step 3



<b>S</b>	4x58		1PC				
<b>H</b>	6.5x60		3PCS	<b>L</b>	1/4x25		2PCS

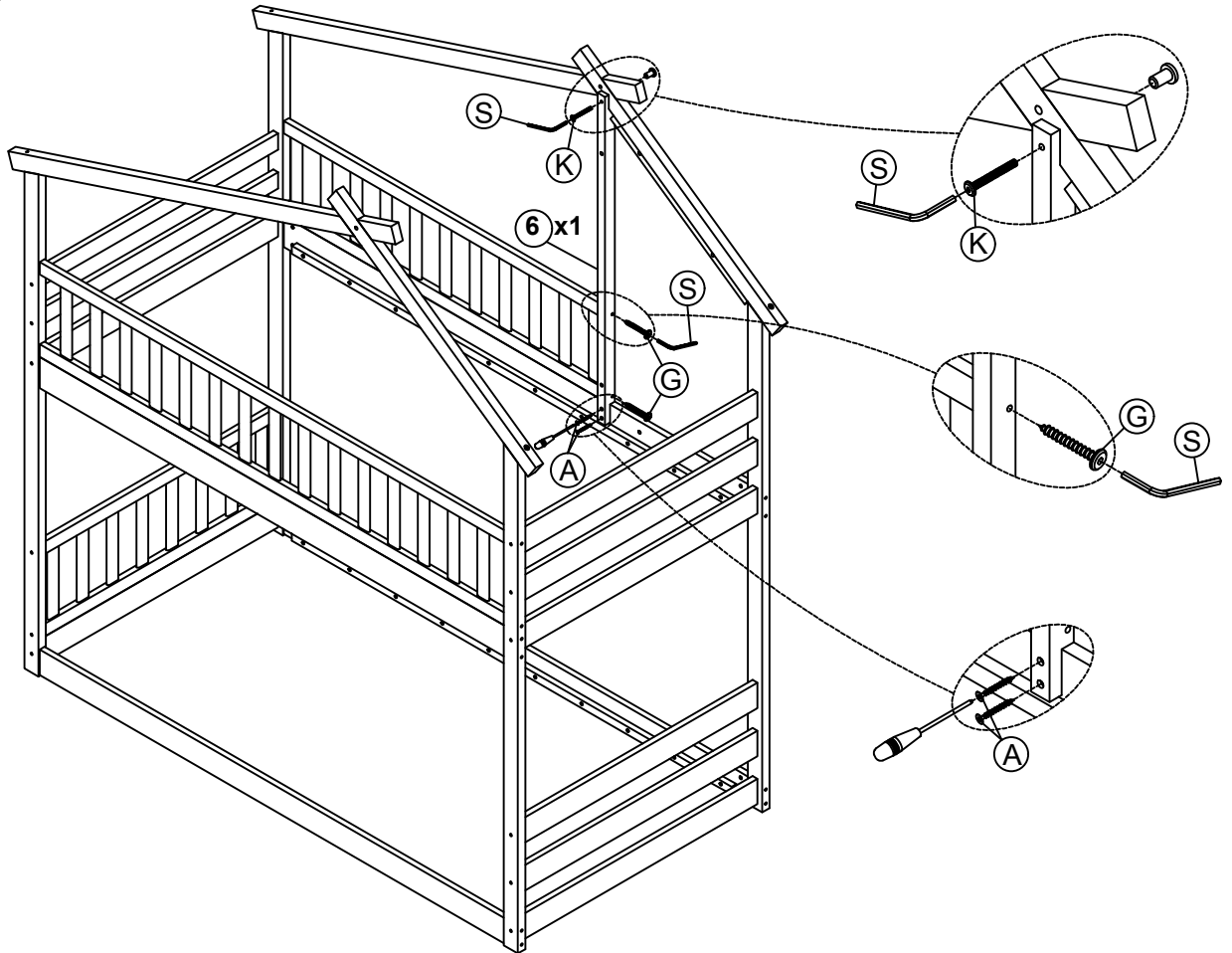
Step 4







				<b>S</b>	4x58		1PC
<b>E</b>	6.5x100		4PCS	<b>M</b>	Ø10x40		4PCS

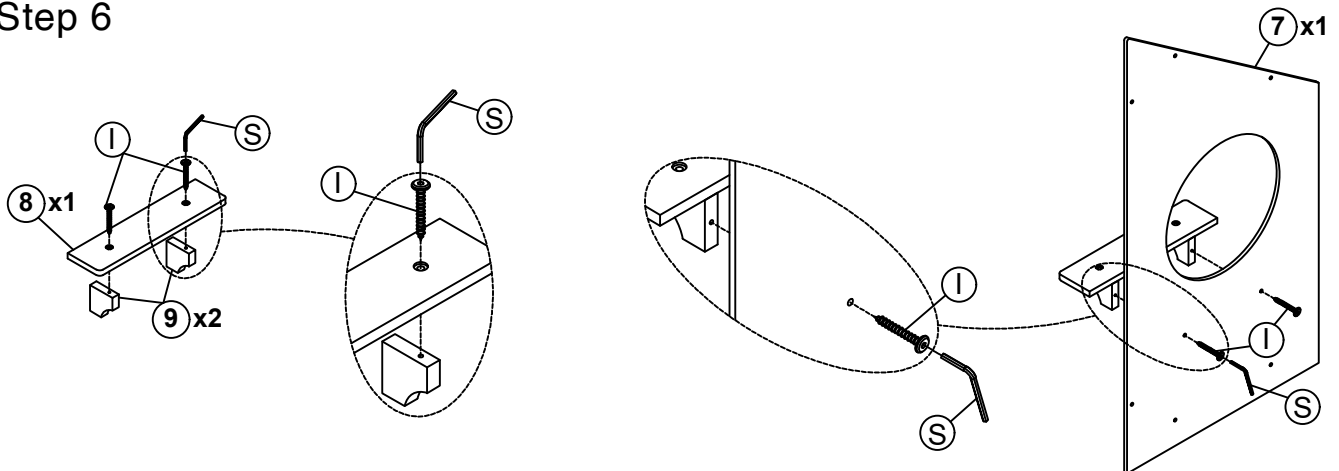
# ASSEMBLY INSTRUCTIONS



## Step 5



<b>A</b>	Ø4x30		2PCS	<b>S</b>	4x58		1PC
<b>G</b>	6.5x80		2PCS	<b>K</b>	1/4x40		1PC

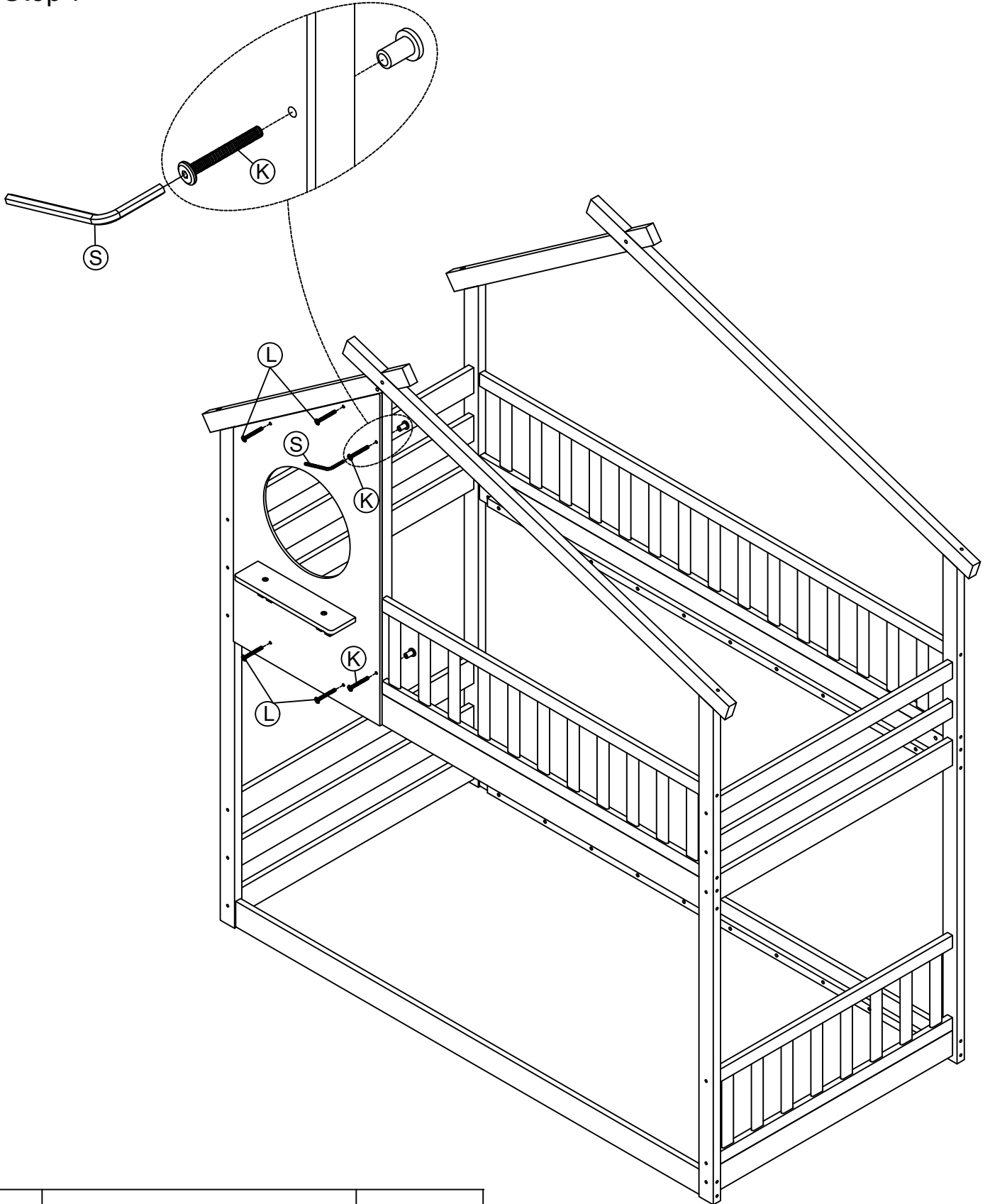
## Step 6






<b>I</b>	6.5x40		4PCS	<b>S</b>	4x58		1PC
----------	--------	---	------	----------	------	---	-----

# ASSEMBLY INSTRUCTIONS

Step 7

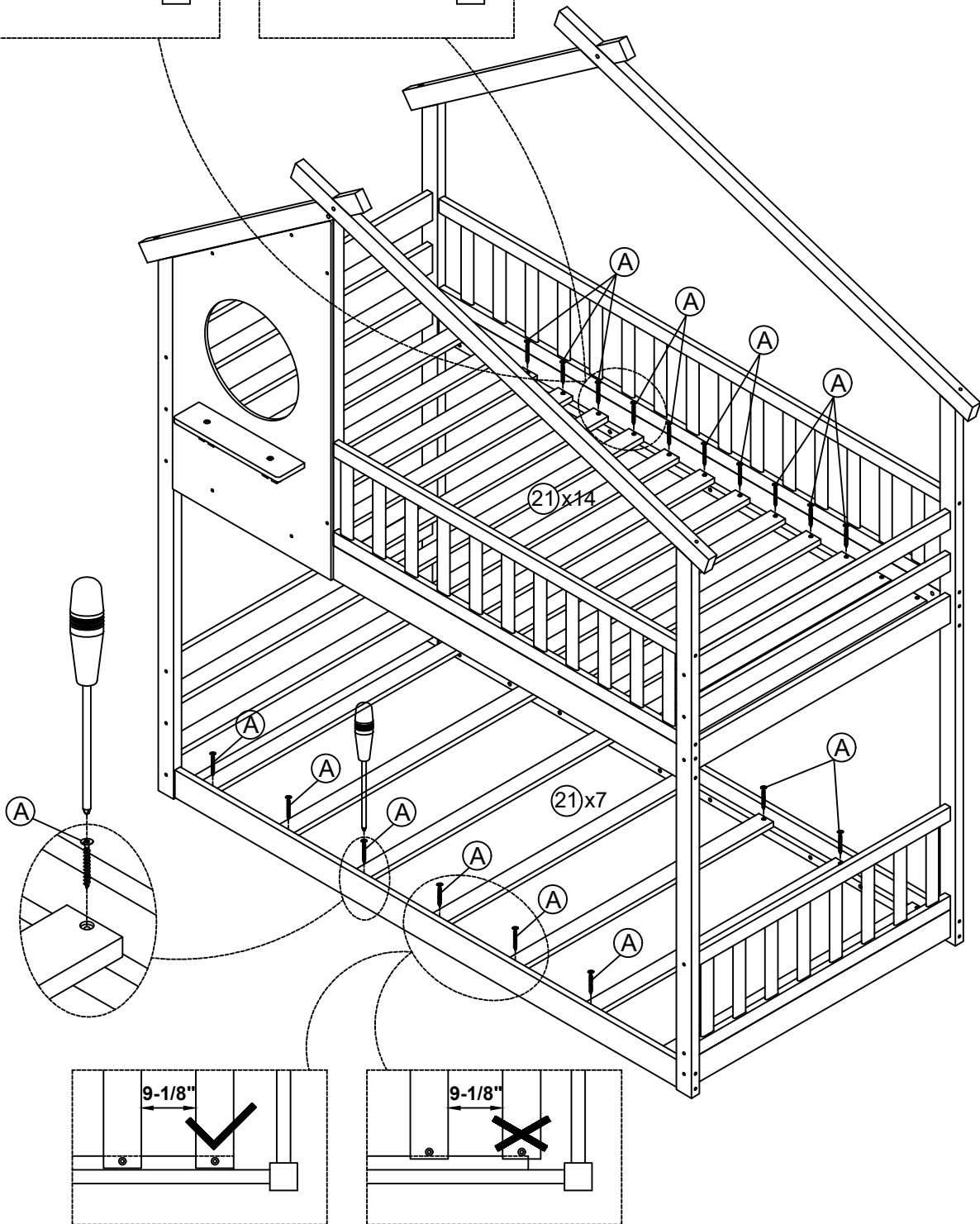
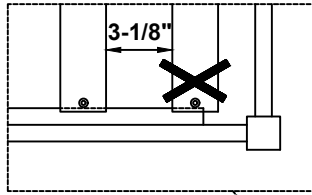
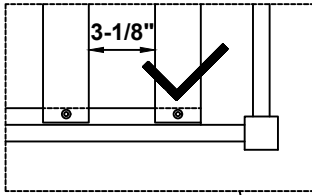


<b>L</b>	1/4x25		4PCS			
<b>K</b>	1/4x40		2PCS	<b>S</b>	4x58	
						1PC

# ASSEMBLY INSTRUCTIONS

## Step 8

First attach 2pcs part 21 to the front and end of the frame between headboard. Then attach the remaining part 21 equidistantly between headboard



Note : Do not lock the screws of the bed slats to the outermost edge of the bed slats, you need to leave a certain space at the edges, otherwise it will cause the board to break

**A**

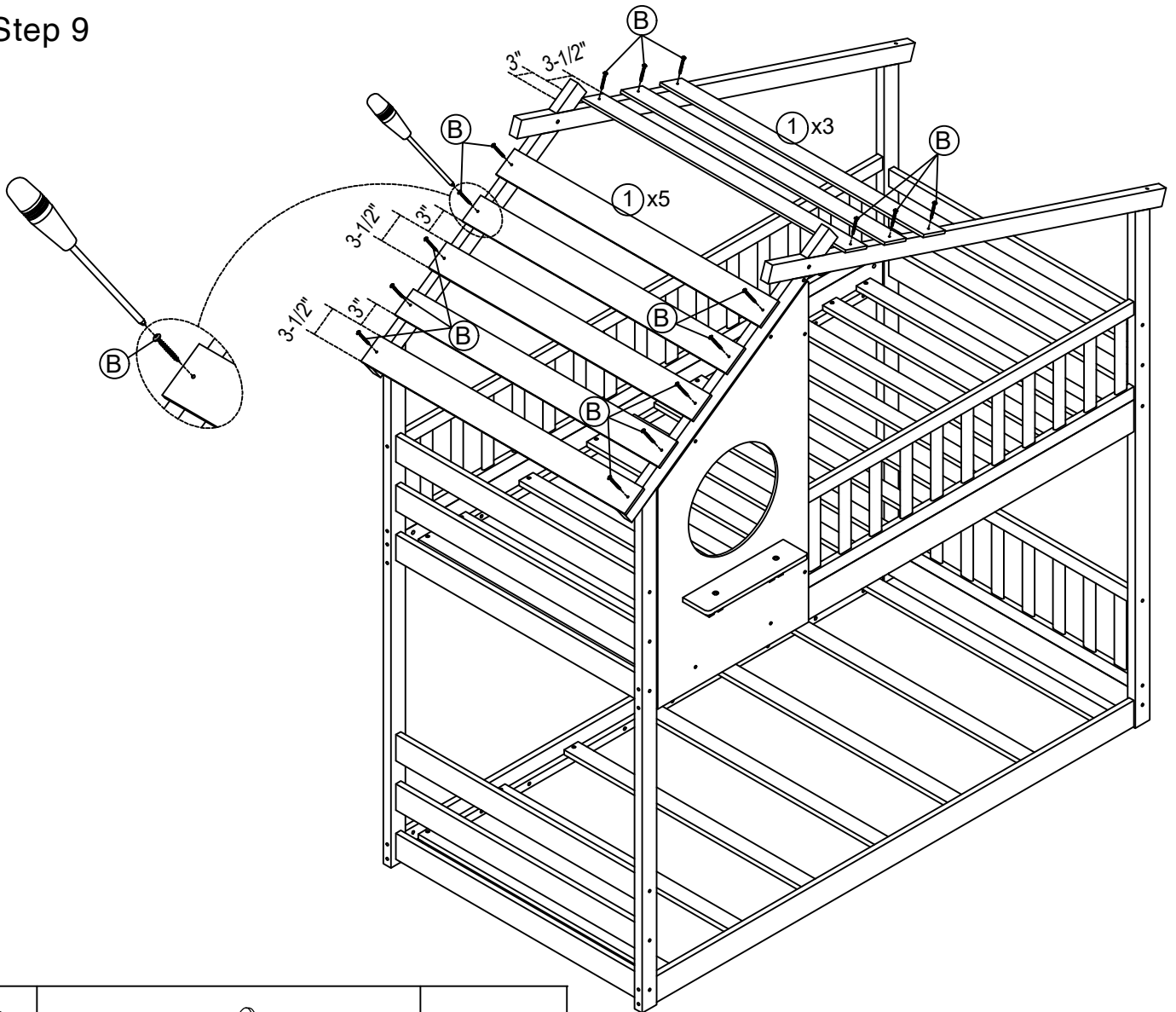
Ø4x30



42PCS

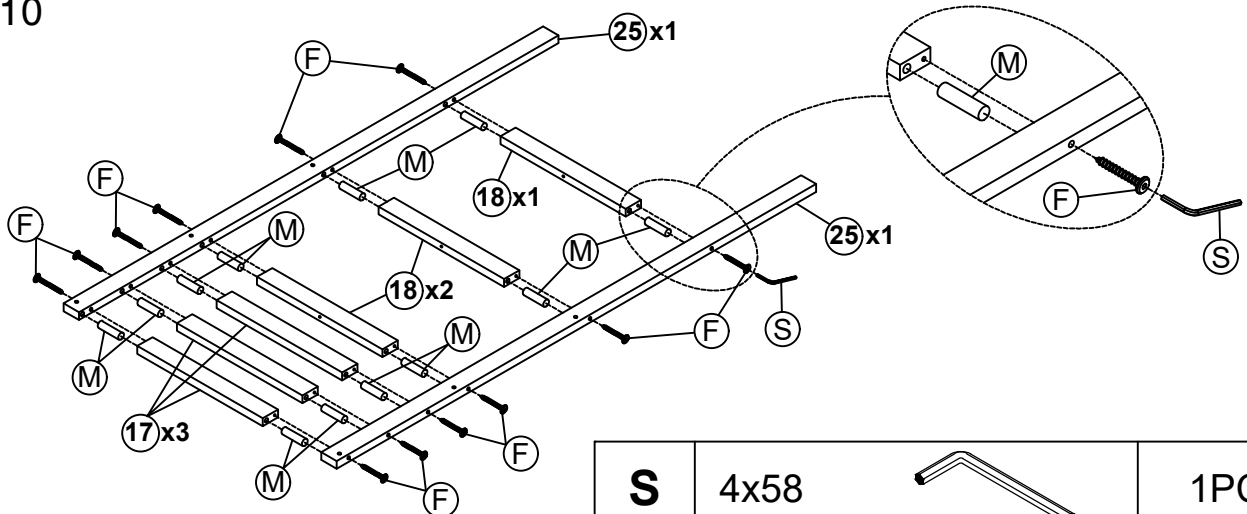
# ASSEMBLY INSTRUCTIONS


## Step 9




<b>B</b>	Ø4x25		16PCS
----------	-------	---	-------

## Step 10



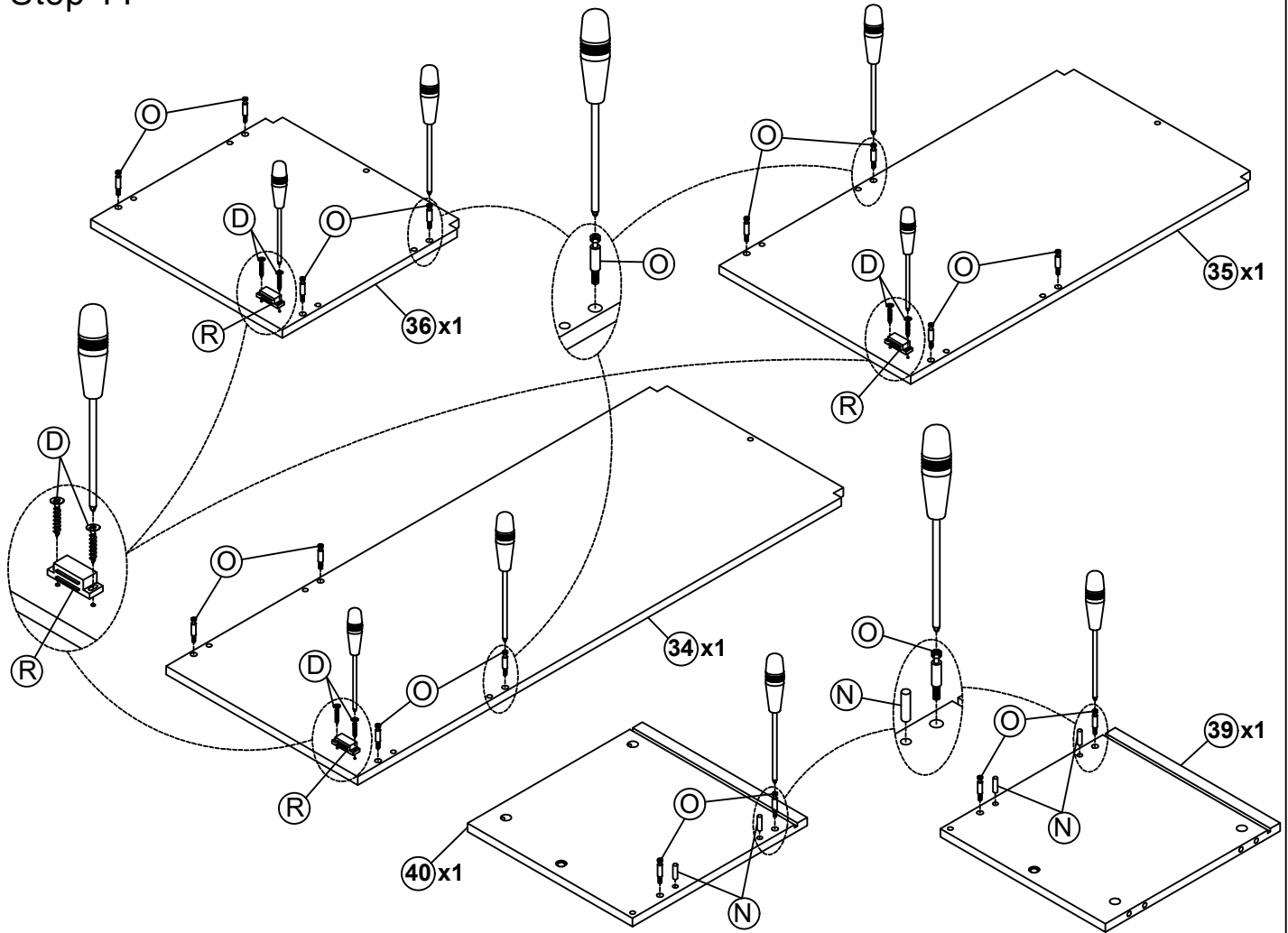
<b>F</b>	6.5x90		12PCS
----------	--------	---	-------

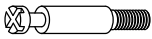

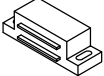

<b>S</b>	4x58		1PC
----------	------	---	-----

<b>M</b>	Ø10x40		12PCS
----------	--------	---	-------

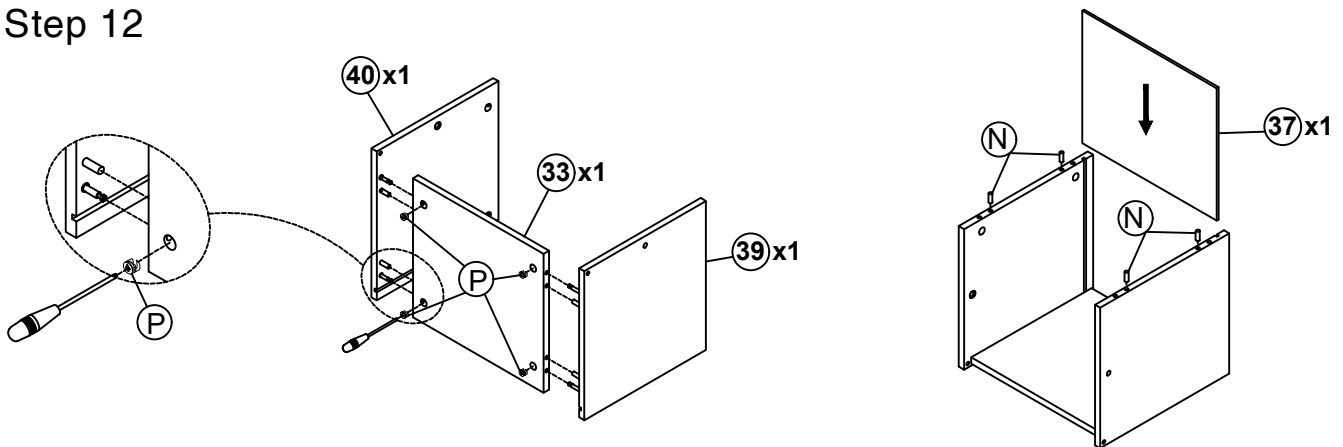
# ASSEMBLY INSTRUCTIONS



## Step 11



<b>O</b>	Ø 6.5x35		16PCS	<b>N</b>	Ø8x30		4PCS
<b>R</b>	44x17x14		3PCS	<b>D</b>	Ø3x15		6PCS

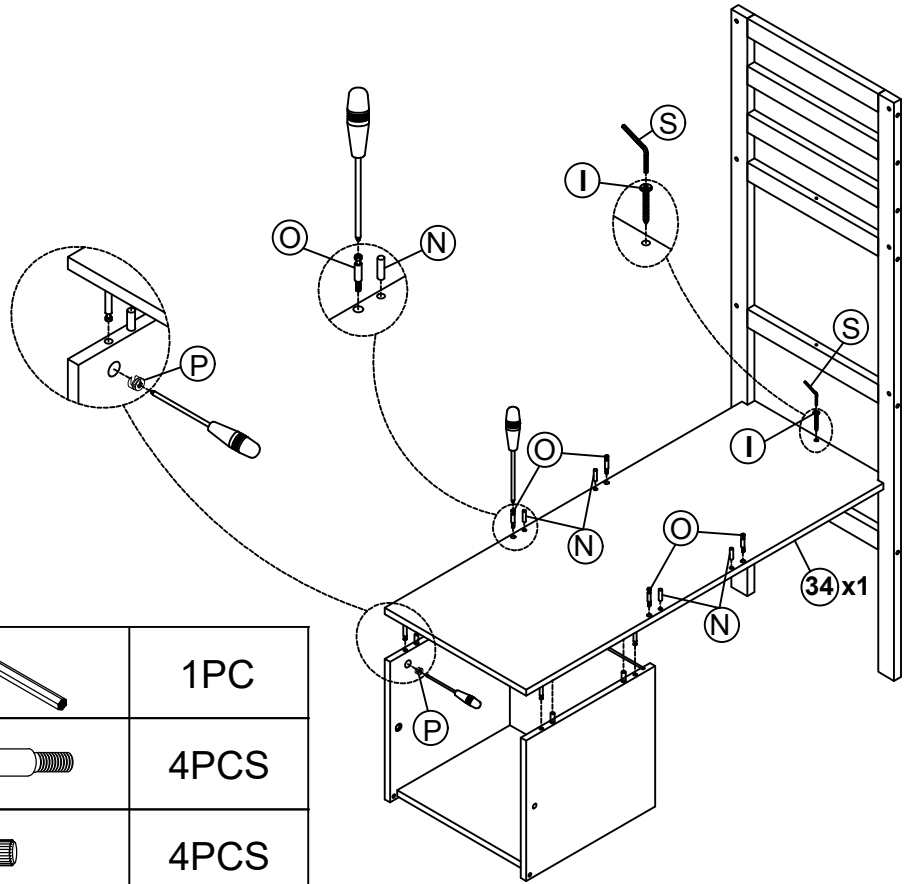
## Step 12


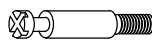





<b>N</b>	Ø8x30		4PCS	<b>P</b>	Ø15x12		4PCS
----------	-------	---	------	----------	--------	---	------

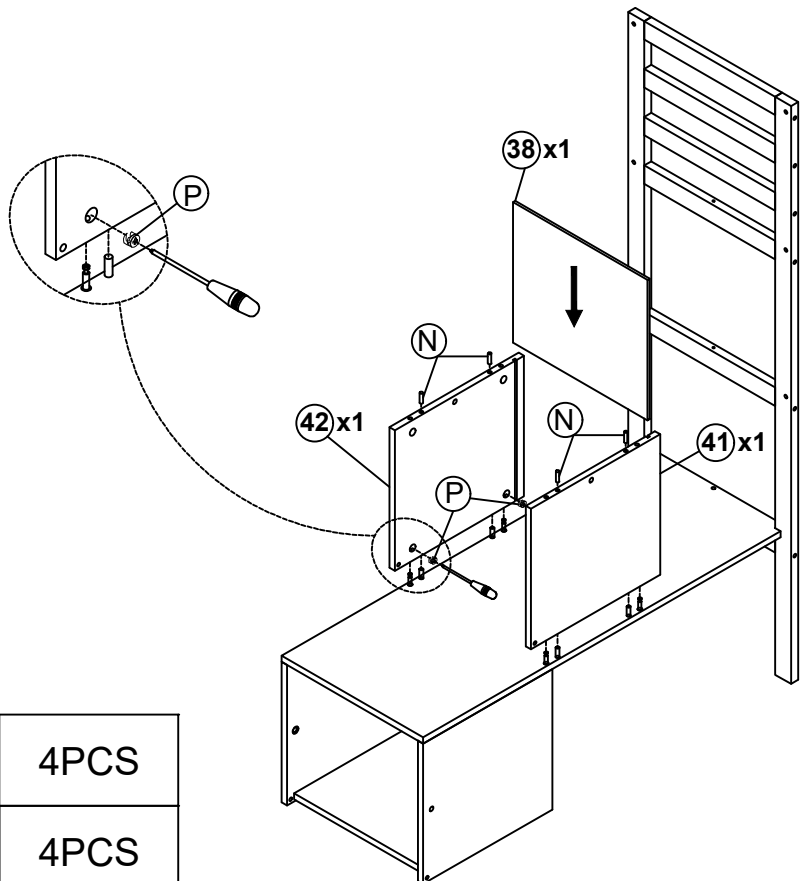
# ASSEMBLY INSTRUCTIONS



## Step 13



<b>S</b>	4x58		1PC				
<b>O</b>	Ø 6.5x35		4PCS				
<b>N</b>	Ø8x30		4PCS				
<b>P</b>	Ø15x12		4PCS	<b>I</b>	6.5x40		1PC

## Step 14

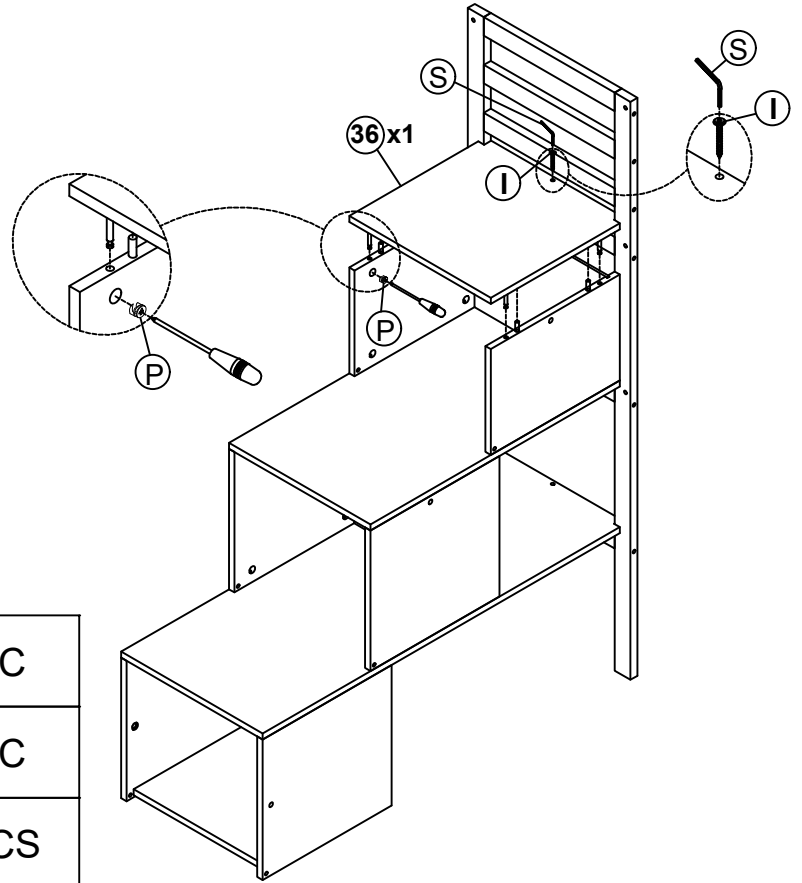


<b>N</b>	Ø8x30		4PCS			
<b>P</b>	Ø15x12		4PCS			



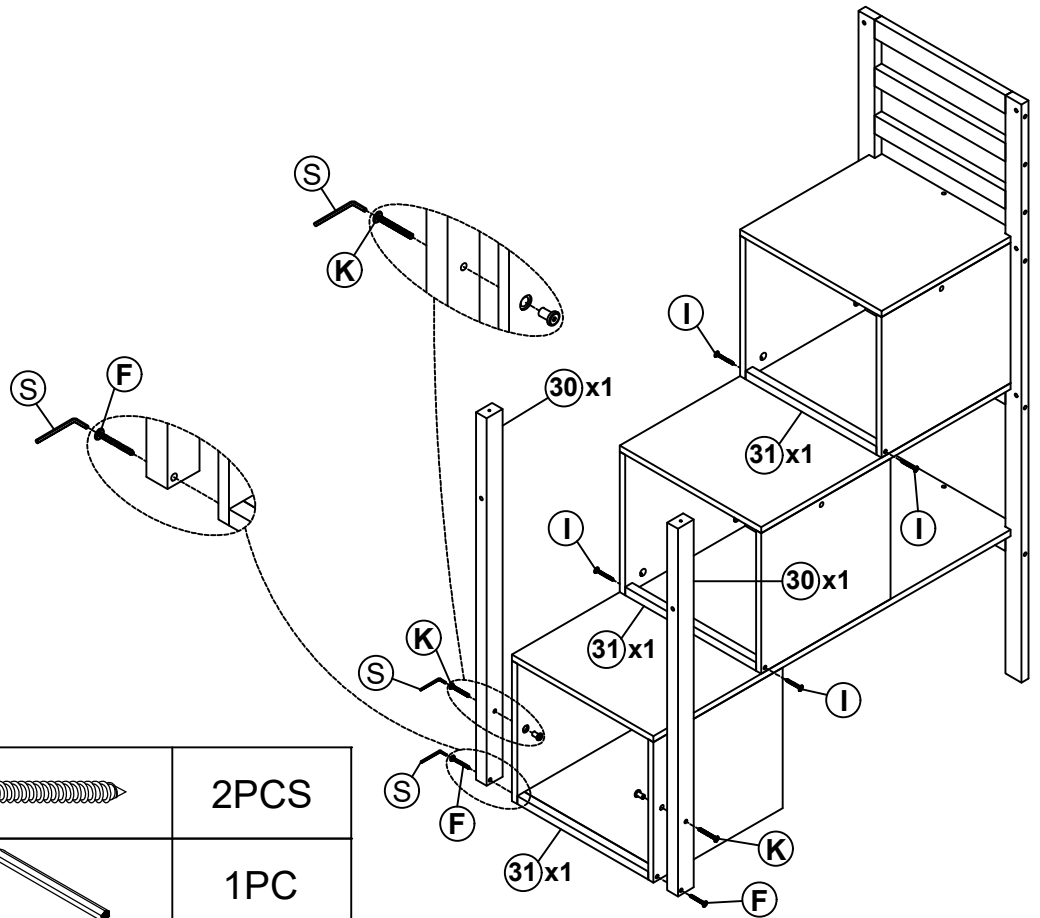
# ASSEMBLY INSTRUCTIONS

## Step 17



<b>I</b>	6.5x40		1PC
<b>S</b>	4x58		1PC
<b>P</b>	Ø15x12		4PCS

## Step 18

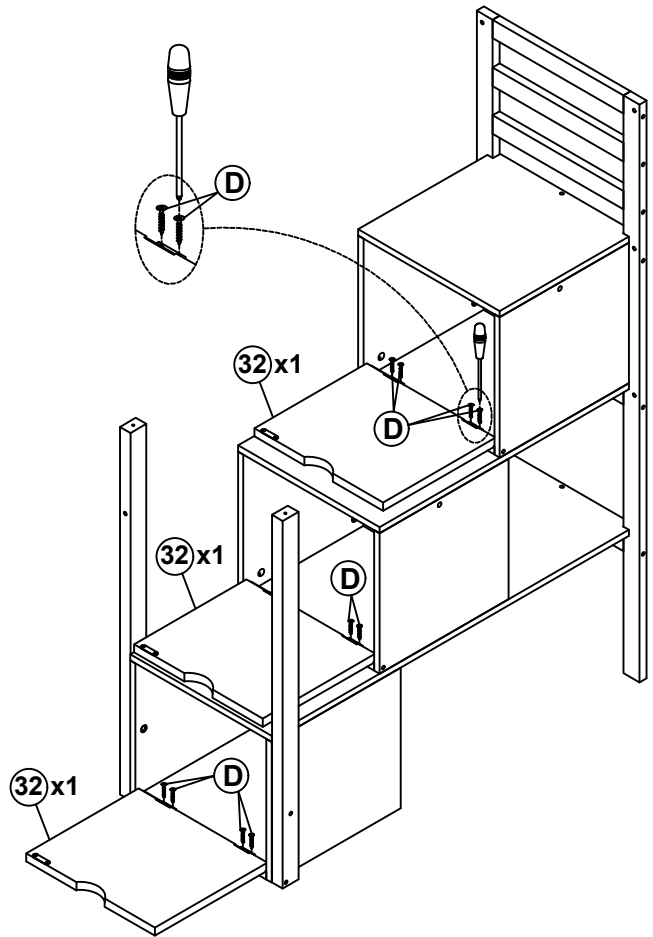


<b>F</b>	6.5x90		2PCS
<b>S</b>	4x58		1PC
<b>K</b>	1/4x40		2PCS

<b>I</b>	6.5x40		4PC
----------	--------	--	-----

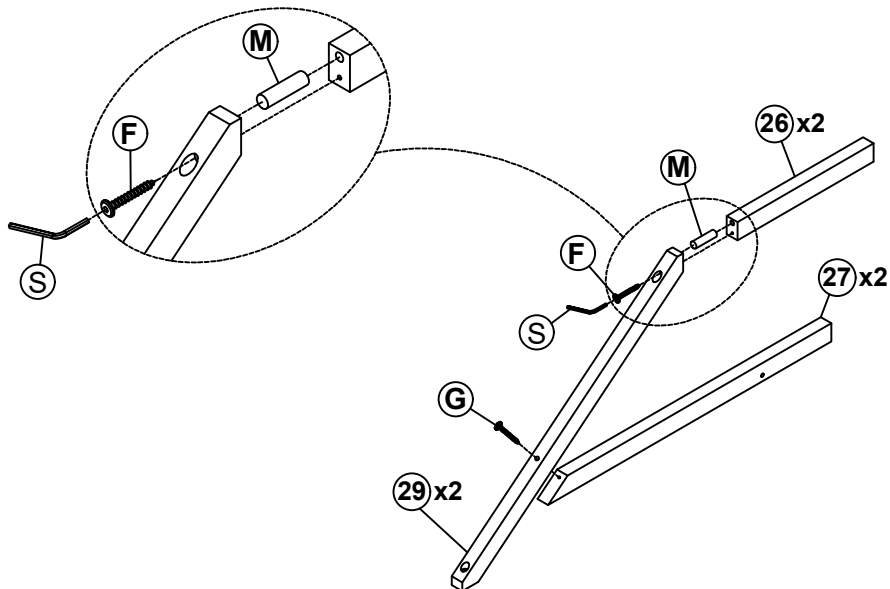
# ASSEMBLY INSTRUCTIONS





## Step 19



<b>D</b>	Ø3x15		12PCS
----------	-------	---	-------

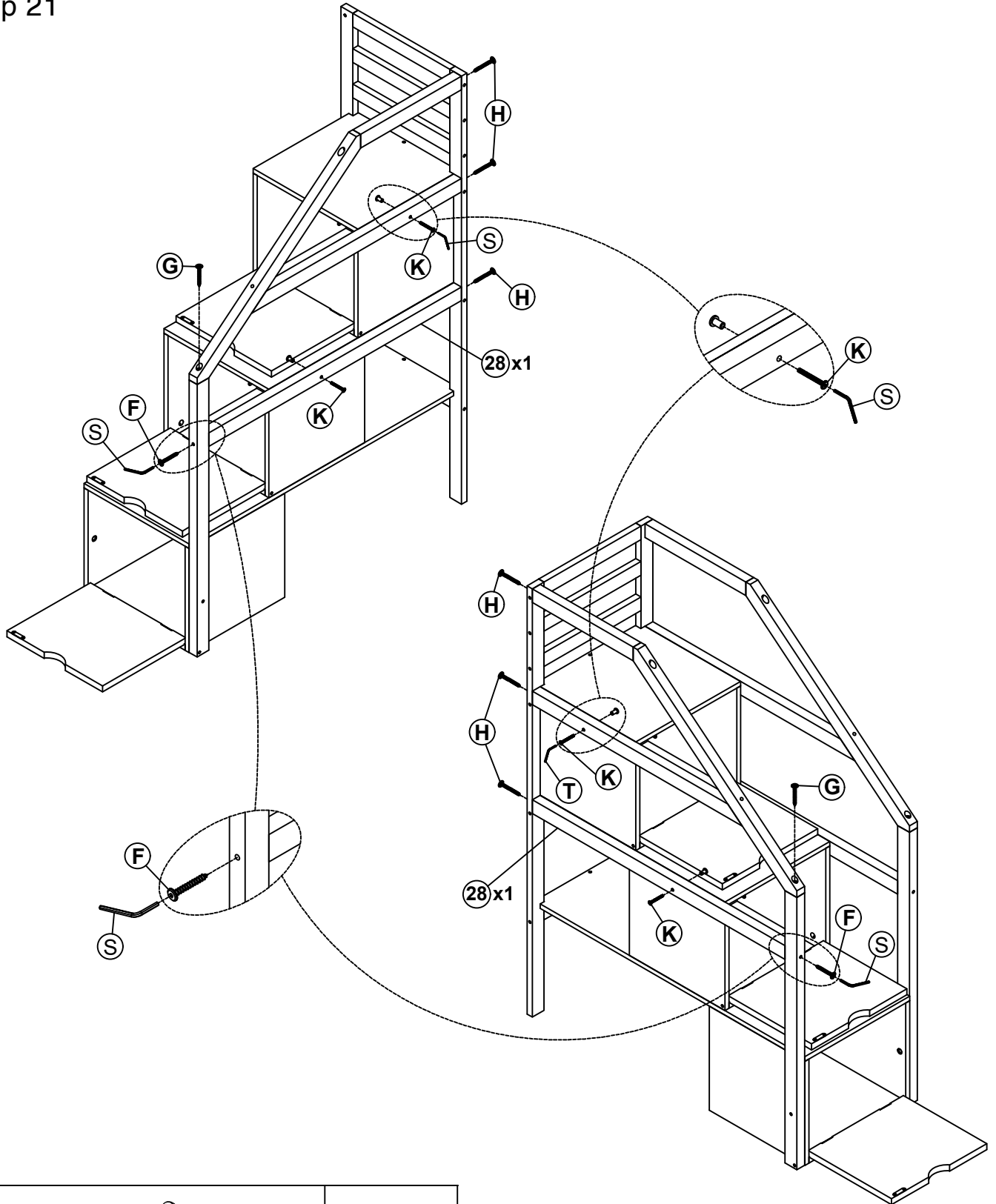
## Step 20








<b>F</b>	6.5x90		2PCS	<b>S</b>	4x58		1PC
<b>G</b>	6.5x80		2PCS	<b>M</b>	Ø10x40		2PCS

# ASSEMBLY INSTRUCTIONS

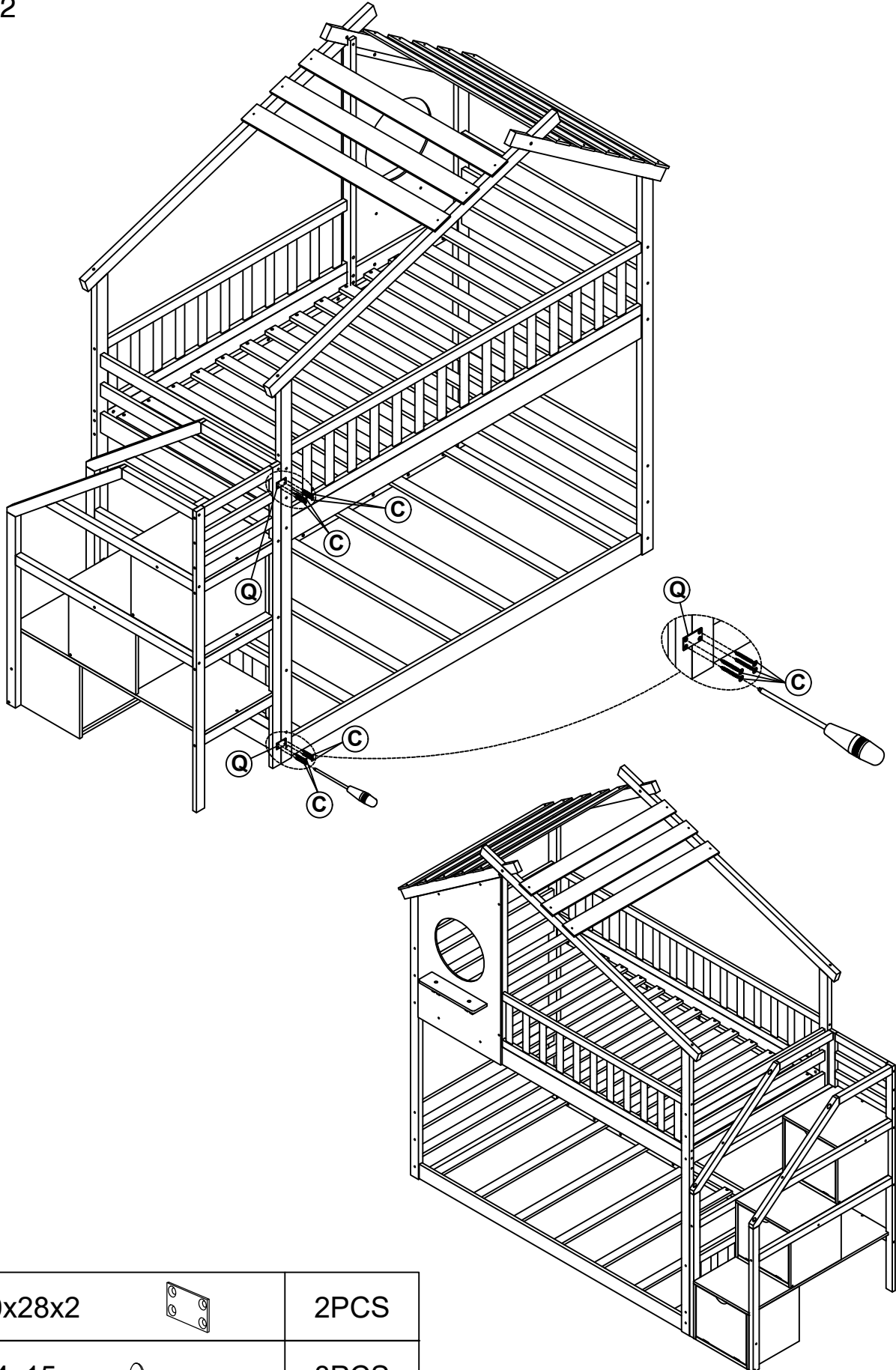
## Step 21



<b>F</b>	6.5x90		2PCS				
<b>G</b>	6.5x80		2PCS	<b>K</b>	1/4x40		4PCS
<b>H</b>	6.5x60		6PCS	<b>S</b>	4x58		1PC

# ASSEMBLY INSTRUCTIONS

Step 22



**Q**

50x28x2



2PCS

**C**

Ø4x15



8PCS