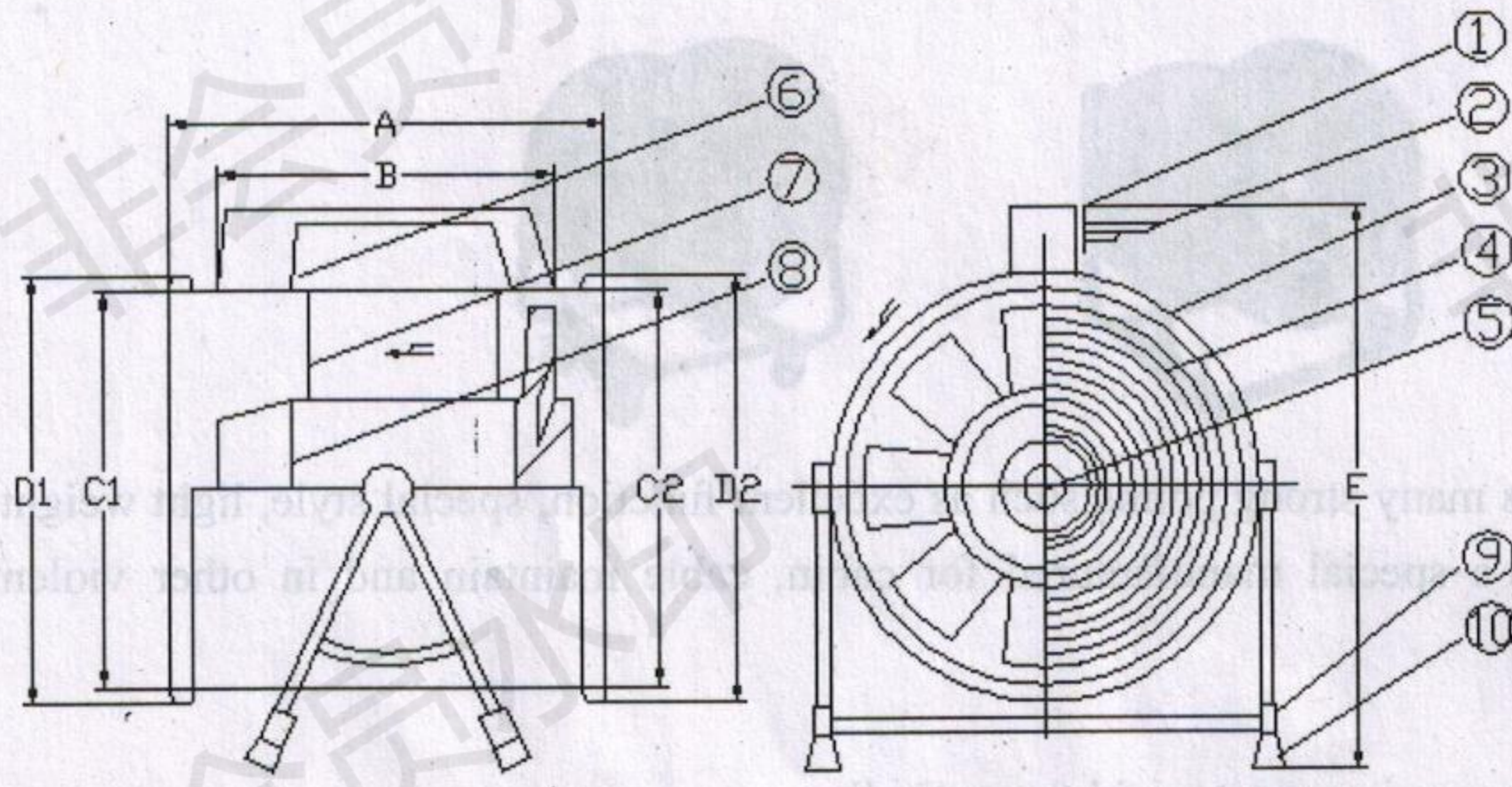


COMPONENT FOR SHT3 SERIES

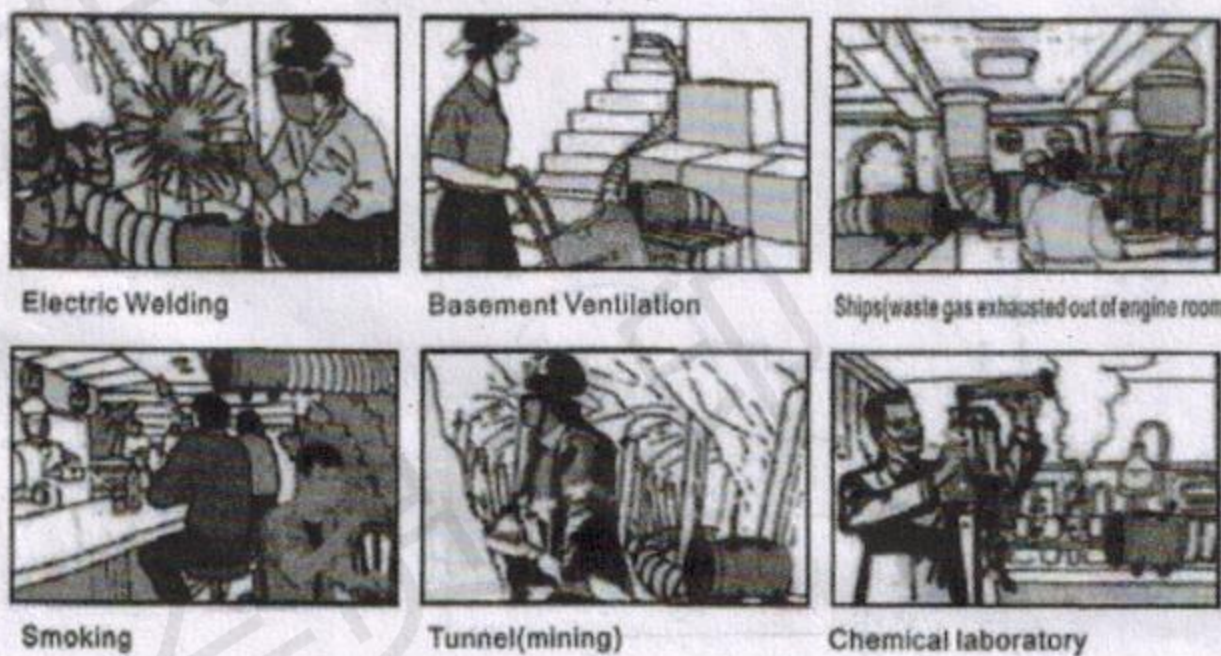


	Parts Name
1	Handle
2	Wire
3	Casting
4	Safety Guard
5	Blade
6	Switch
7	Motor Chasis
8	Motor
9	Fan Chasis
10	Absorber Pad

FUNCTION PARAMETER LIST

Model	MM	VOLTAGE	Hz	W	r/min	M ³ /min	Pa	dB(A)
SHT-20	Φ 200	220-240/380-415	50/60	230	2800	25	245	60
SHT-20	Φ 200	110	60	230	3300	25	245	60
SHT-25	Φ 250	220-240/380-415	50/60	320	2800	43	294	68
SHT-25	Φ 250	110	60	320	3300	43	294	68
SHT-30	Φ 300	220-240/380-415	50/60	520	2800	65	373	71
SHT-30	Φ 300	110	60	520	3300	65	373	71
SHT-35	Φ 350	220-240/380-415	50/60	750	2800	82	598	76
SHT-35	Φ 350	110	60	1000	3300	82	598	76
SHT-40	Φ 400	220-240/380-415	50/60	1100	2800	96	700	80
SHT-40	Φ 400	110	60	1800	3300	96	700	80
SHT-45	Φ 450	220-240/380-415	50	1500	2800	162	972	83
SHT2-40	Φ 400	220-240/380-415	50	1100	2800	96	700	80
SHT2-40	Φ 400	110	60	1800	3300	96	700	80
SHT2-50	Φ 500	220-240/380-415	50	1800	2800	200	1050	88
SHT2-50	Φ 500	110	60	2500	3300	200	1050	88
SHT2-60	Φ 600	220-240/380-415	50	2200	1400	290	1100	92
SHT3-20	Φ 200	220-240/380-415	50/60	230	2800	25	245	60
SHT3-20	Φ 200	110	60	230	3300	25	245	60
SHT3-25	Φ 250	220-240/380-415	50/60	320	2800	43	294	68
SHT3-25	Φ 250	110	60	320	3300	43	294	68
SHT3-30	Φ 300	220-240/380-415	50/60	520	2800	65	373	71
SHT3-30	Φ 300	110	60	520	3300	65	373	71

PLACE FOR USING



FLEXIBLE DUCT OPERATION



Model	Φ 200	Φ 250	Φ 300	Φ 350
Length(M)	5/10M	5/10M	5/10M	5/10M

Model	Φ 400	Φ 450	Φ 500	Φ 600
Length(M)	5/10M	5/10M	5/10M	5/10M

INSTRUCTION FOR SHT VENTILATION FAN



Our SHT series propeller ventilation fan has many strong points such as excellent function, special style, light weight, strong wind-power and reasonable structure. It's special manufactured for cabin, cable maintain and in other violent working situation for ventilation.

WARNING AND SAFETY GUIDELINES

- 1) Do not use under flammable and explosive environment avoid the exploding.
- 2) Keep out of the way of any dangerous, it must to avoid the back-flow of gases into the room from the open flue of gas or other open-fire appliances.
- 3) **The ventilator must be earthed, avoid any danger.**
- 4) This appliance can be used by children aged from 8 years and above and persons with reduced physical, sensory or mental capabilities or lack of experience and knowledge if they have been given supervision or instruction concerning use of the appliance in a safe way and understand the hazards involved. Children shall not play with the appliance. Cleaning and user maintenance shall not be made by children without supervision.
- 5) The appliance is not to be used by persons (including children) with reduced physical, sensory or mental capabilities, or lack of experience and knowledge, unless they have been given supervision or instruction. Children being supervised not to play with the appliance.
- 6) Ensure that the fan is switched off from the supply mains before removing the guard.
- 7) If the supply cord is damaged, it must be replaced by the manufacturer, its service agent or similarly qualified persons in order to avoid a hazard.
- 8) A disconnection incorporated in the fixed wiring is to be provided

ENVIRONMENT OF USE

- 1) The max relative humidity is 90%(when in 25°C);
- 2) Below 1000 meters altitude, use indoor

USE AND MAINTAIN

- 1) Make sure the ventilator's voltage in accordance with local voltage before use.
- 2) Ventilator only could be use in ordinary indoor situation, but not at high humidity situation for fear cause and safety hidden trouble.
- 3) Please find a professional maintenance man to rub the lube in machinery axletree after the ventilator has used 1000 hours, to ensure the ventilator has long-life.
- 4) If the supply cord is damaged it must be replaced by a special cord or assembly available from the manufacture or its service agent.
- 5) It must be return to sale agent or repaired by expert when the ventilator needs repaired.

NOTE

- 1) The ventilator must be used indoor.
- 2) Children or handicapped use this product in accompany with adult.
- 3) Cut off the power before any cleaning and maintenance.

CIRCUIT DIAGRAM

