

## SHOWERCAST "PLUS" PORCELAIN ENAMEL 60" x 32" X 4" SHOWER BASE



010-1100      RH DRAIN, SLIP-RESISTANT  
010-1101      LH DRAIN, SLIP-RESISTANT

### *DESCRIPTION:*

ShowerCAST "Plus" is a 60" x 32" x 4" porcelain enamel steel shower base 2" wider than the standard ShowerCAST, designed for new installations and remodel applications where an easy-access shower solution with roomier width is desired. Bootz ShowerCAST "Plus" is a step above plastic/composite competitors, inviting quality upgrades to residential, hospitality and commercial (hotel, motel and multi-housing) applications. ShowerCAST "Plus" is constructed of one-piece heavy gauge seamless steel with an acid-resistant, high gloss, sanitary, and stain-resistant porcelain enamel finish. ShowerCAST "Plus" has the same length as a typical industry-standard 5' bathtub, is a roomier 2" wider, shares a similar drain-hole location (for easier remodel plumbing), weighs only 50 lbs., and is very easy to install - "just set it and level it". The full length support pad provides added strength for better durability, flat base for ease of installation, and noise absorbing capabilities for a luxurious peaceful shower. This product is compatible or complies with ASME A112.19.1/CSA B45.2 (Standard for Enameled Steel Plumbing Fixtures), ADA (American Disabilities Act), ASTM F 462 (Safety Specification for Slip Resistant Bathing Facilities), WW-P 541 (U.S. Military Federal Specification), HUD-FHA-VA, LEED, and the Buy American Act, as applicable when installed accordingly. Available in white, bone and biscuit colors, with a right or left hand drain. Made in The USA.

Weight: 50 lbs



1400 Park Street • P.O. Box 18010 • Evansville, IN 47719-1010 • (812) 423-5401 • Fax (812) 429-2254 • [www.bootz.com](http://www.bootz.com) • [webmaster@bootz.com](mailto:webmaster@bootz.com)

# SHOWERCAST "PLUS" PORCELAIN ENAMEL 60" x 32" X 4" SHOWER BASE

## ShowerCAST "Plus" 5' Shower Base

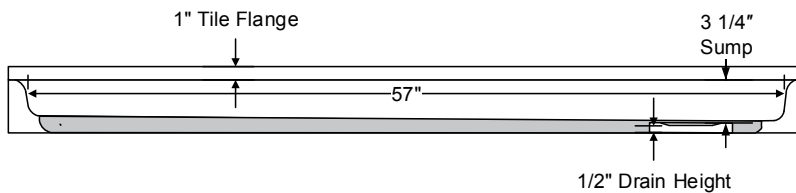
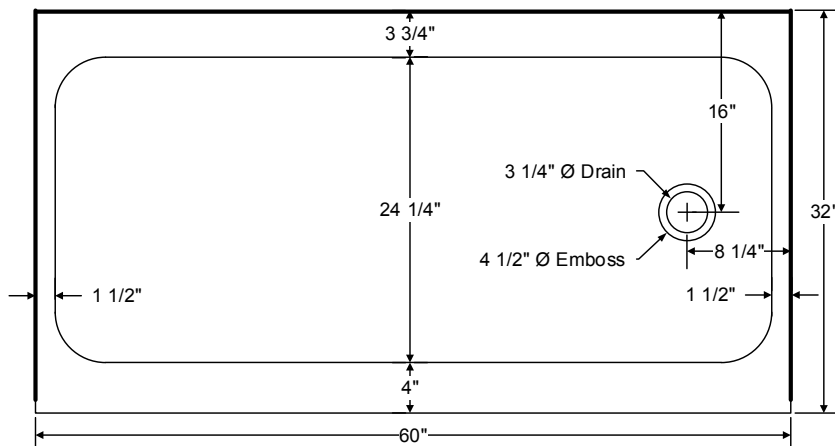
60" x 32" x 4"

Weight: 50 lbs

Standard Outlet

010-1100 RH Drain, slip-resistant

010-1101 LH Drain, slip-resistant



### Complies with:

All fixtures are compatible or comply with ANSI, ASME, CSA, WW-P 541, HUD-FHA-VA, LEED and the "Buy America Act" where applicable when installed accordingly.

### Standard Features:

Full length sound deadening pad  
Slip resistant bottom  
Set it and level it

Made in the USA

All Dimensions +/- 1/8" unless otherwise noted.

Dimensions shown are for reference.  
Actual dimensions may vary slightly and should be checked prior to installation  
SS 5/14

