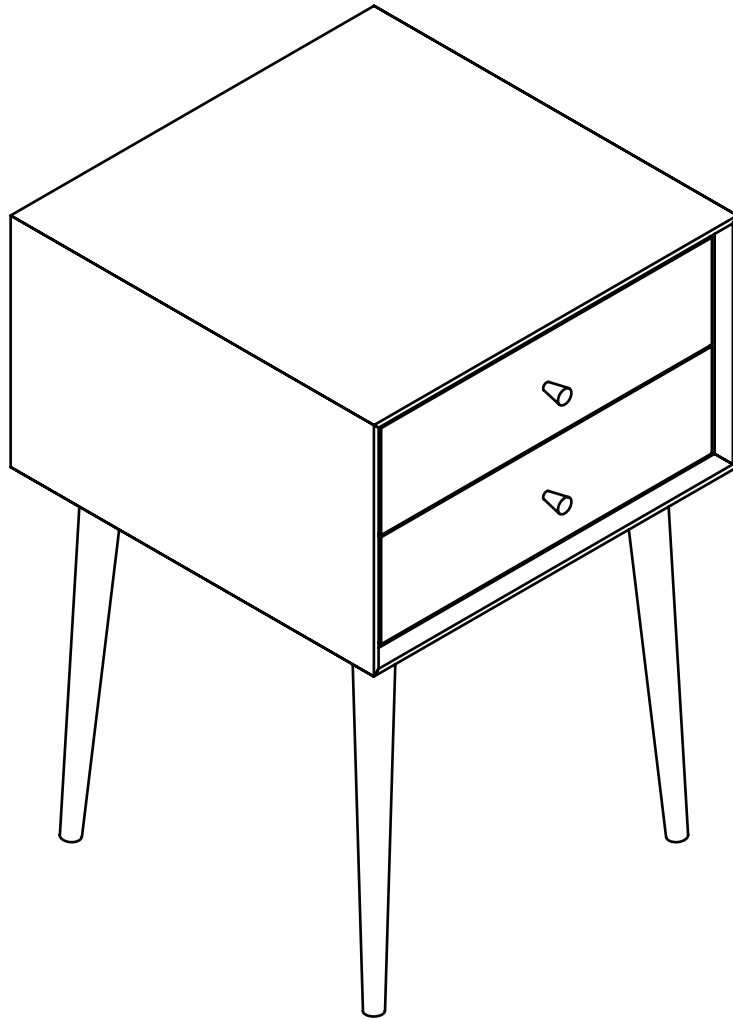


# NATHAN JAMES



Product name

---

**Harper  
Mid-Century  
Side Table**

Contact

---

Toll-free at 1-866-619-1004  
Help@nathanjames.com  
nathanjames.com/help

# Ok, let's get rolling

This should be easy, just follow our simple instructions and you will be back to Netflix in no time.

## Estimated time for assembly

 30:00

## What you need

- Some of your favourite bubbly or your preferred relaxant
- Use the packaging carton as a working surface to prevent product damage during assembly
- Phillips head screwdriver

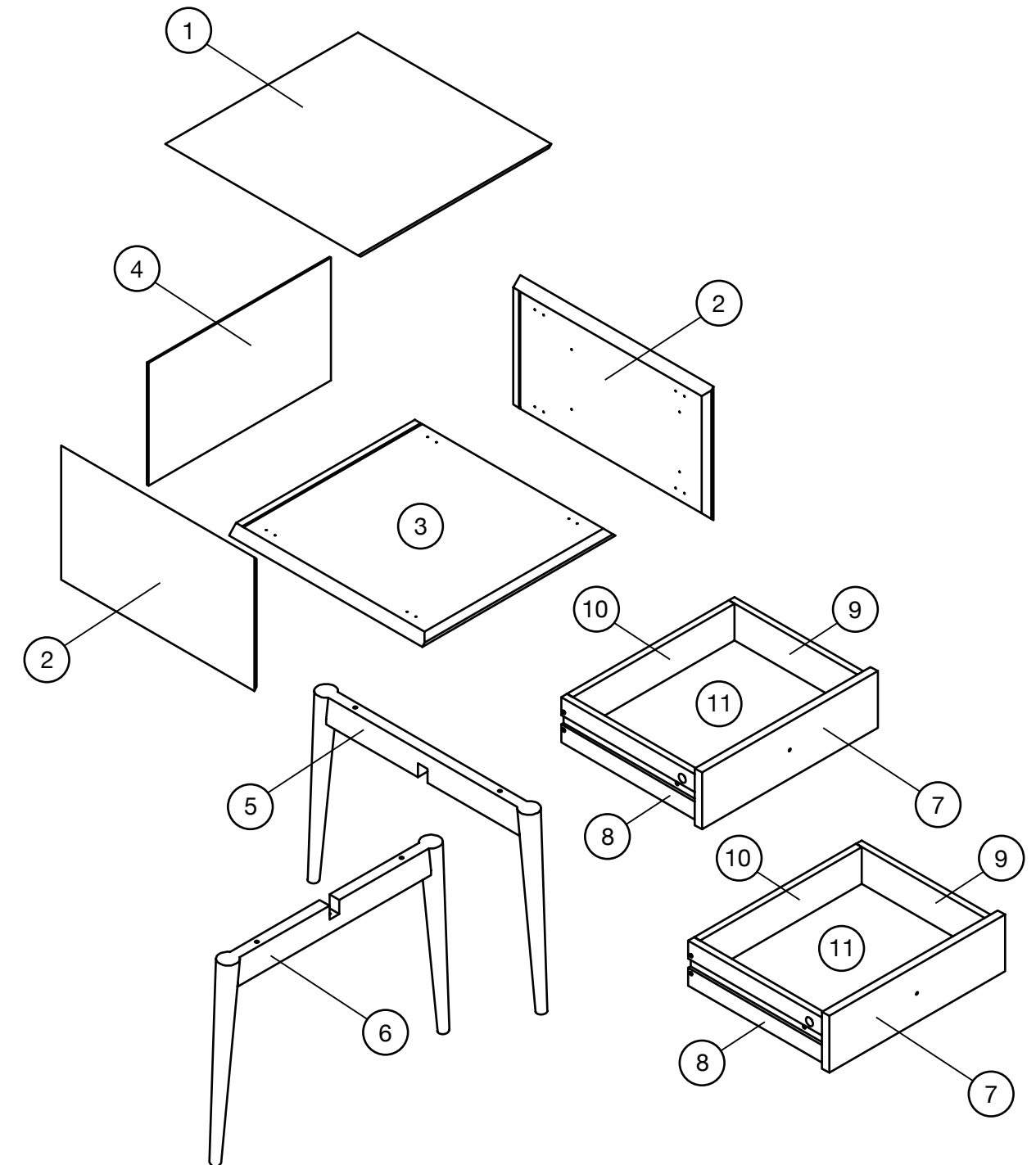
## Weight Limitation

 25 | 11  
lbs table top | lbs per shelf

## What's included

Code	Description	Qty
1	Top Panel	1
2	Side Panels	2
3	Bottom Panel	1
4	Back Panel	1
5	Leg Crossbar	1
6	Leg Crossbar	1
7	Front Drawer Panels	2
8	Left Drawer Panels	2
9	Right Drawer Panels	2
10	Back Drawer Panels	2
11	Bottom Drawer Panels	2

## The goods

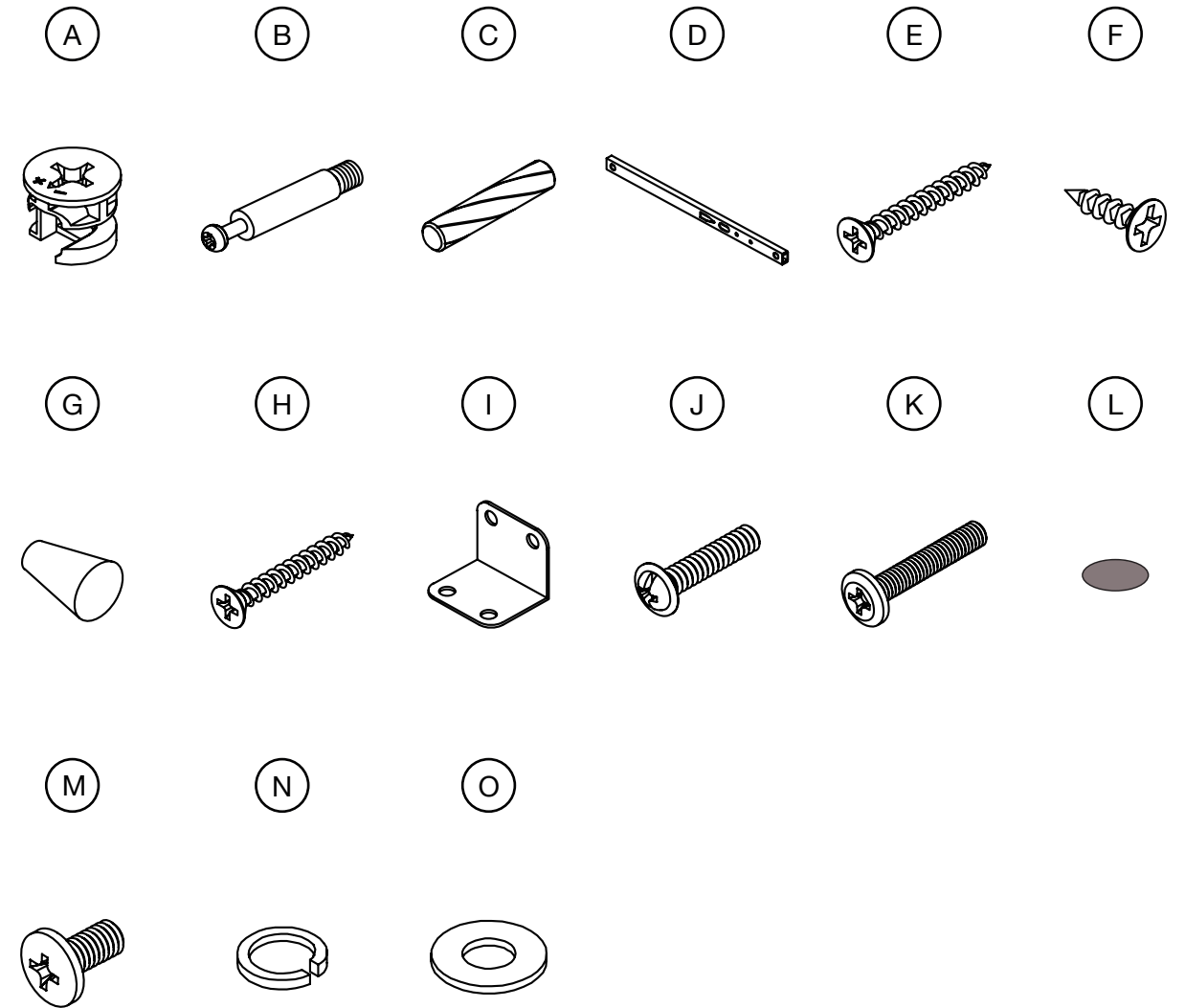


Toll-free at 1-866-619-1004  
Help@nathanjames.com  
nathanjames.com/help

## What's included

Code	Description	Qty	Code	Description	Qty
A	Cam Lock	4	I	Metal Hinge	8
B	Cam Bolt	4	J	Bolt M4X20MM	2
C	Wooden Dowel	4	K	Bolt M6X30MM	4
D	Drawer Rail	4	L	Foot Pad Protector	4
E	Screw M3.5X30MM	8	M	Bolt M4X10MM	4
F	Screw M3X12MM	40	N	Lock Washer	4
G	Drawer Hardware	2	O	Flat Washer	4
H	Screw M4X35MM	1			

## The goods



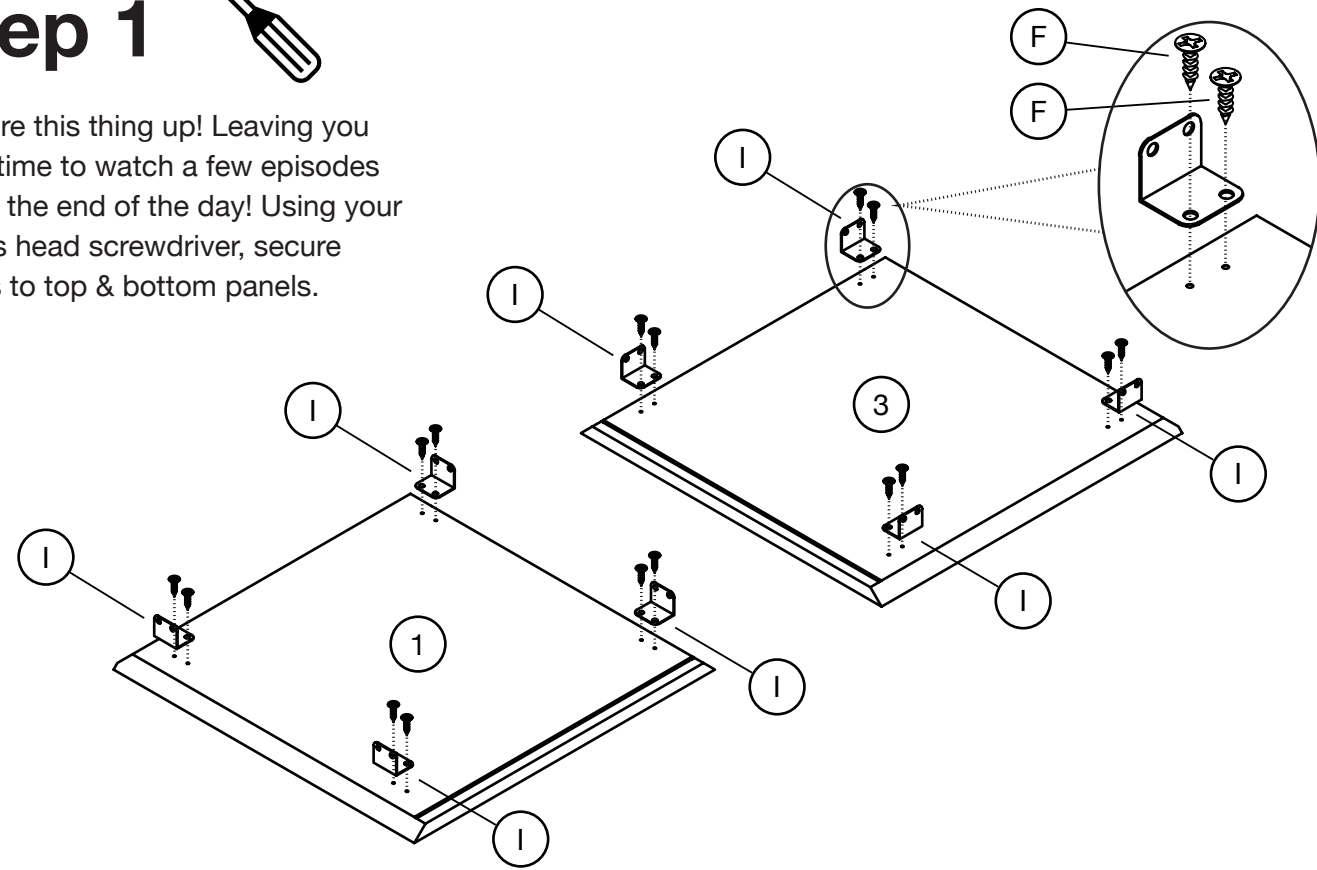
### IMPORTANT:

1. Do not tighten bolts / screws completely until all bolts / screws are lined up and inserted into holes.
2. Do not over tighten screws and bolts to avoid stripping.
3. Please use hand tools to assemble this product. Do not use power tools.

# Step 1

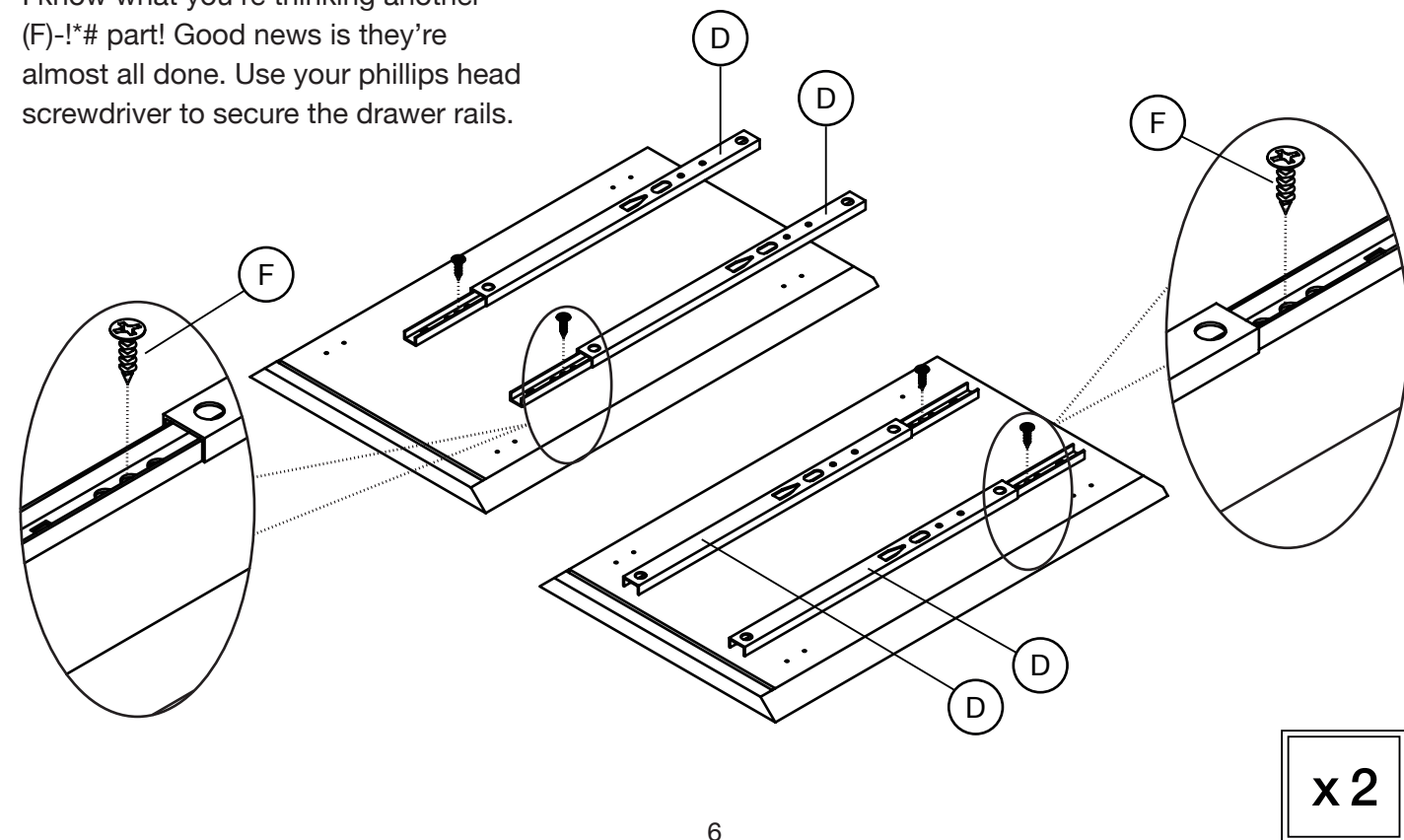


Let's fire this thing up! Leaving you some time to watch a few episodes before the end of the day! Using your phillips head screwdriver, secure hinges to top & bottom panels.



# Step 2

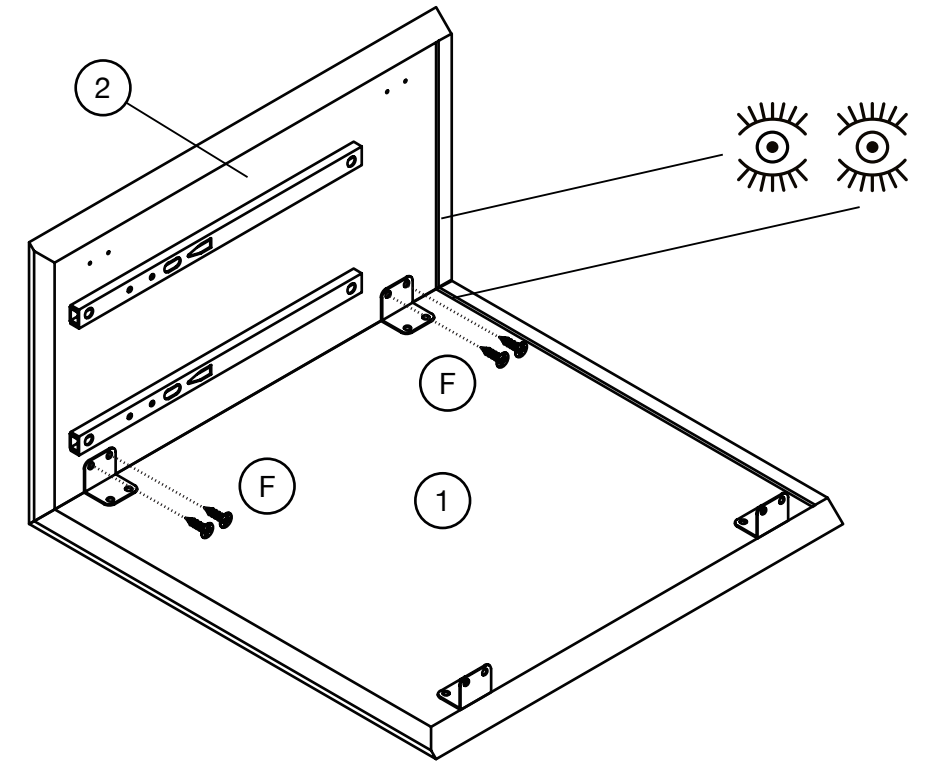
I know what you're thinking another (F)-!\*# part! Good news is they're almost all done. Use your phillips head screwdriver to secure the drawer rails.



6

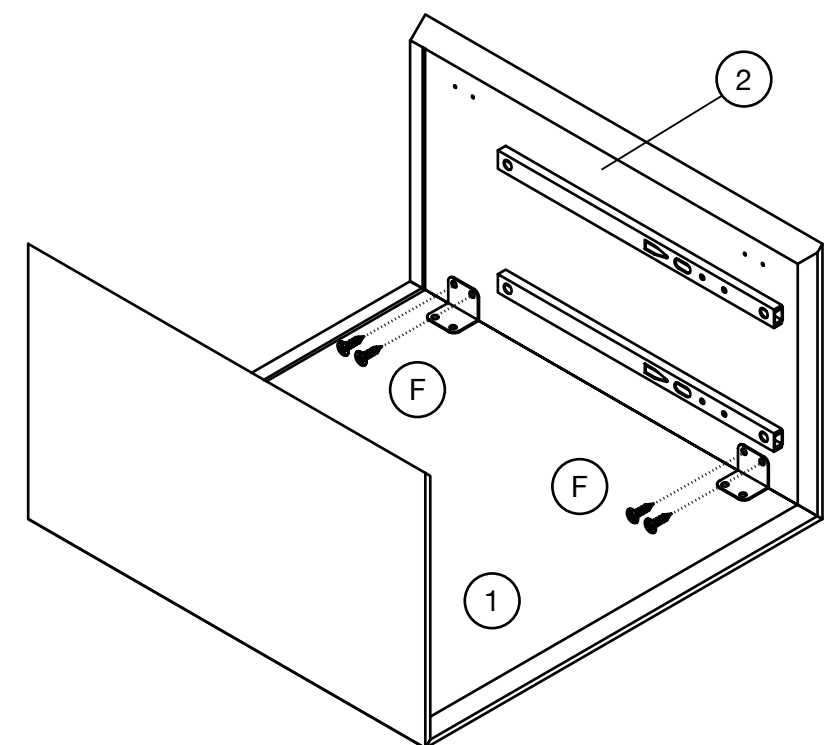
# Step 3

Connect side panel (2) to top panel (1) - friendly reminder to ensure the grooved lines match up.



# Step 4

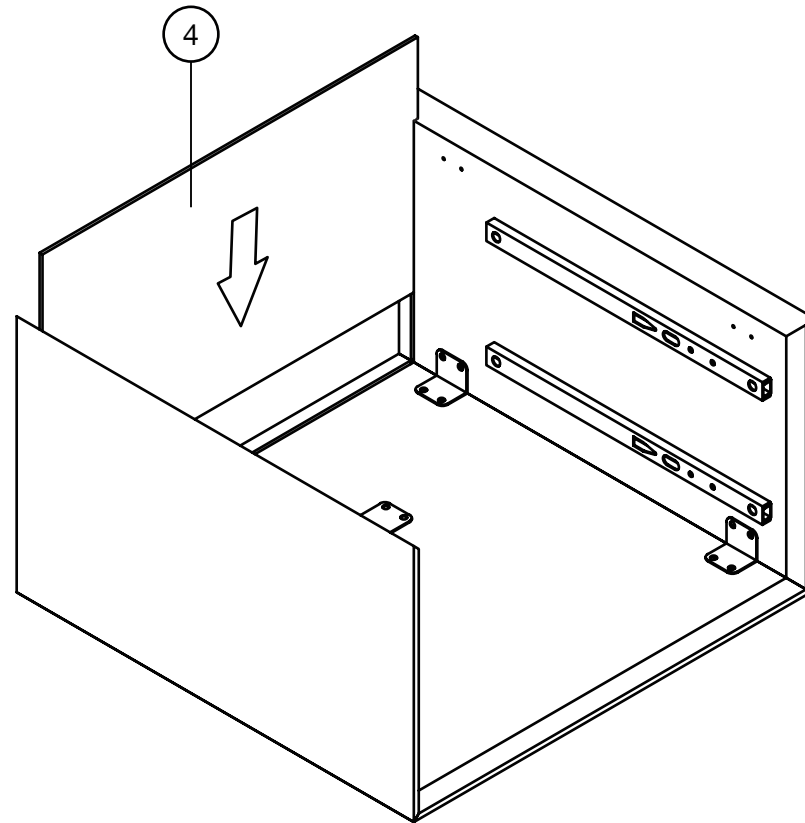
Deja-vu? Repeat step 3 with other side panel (2).



7

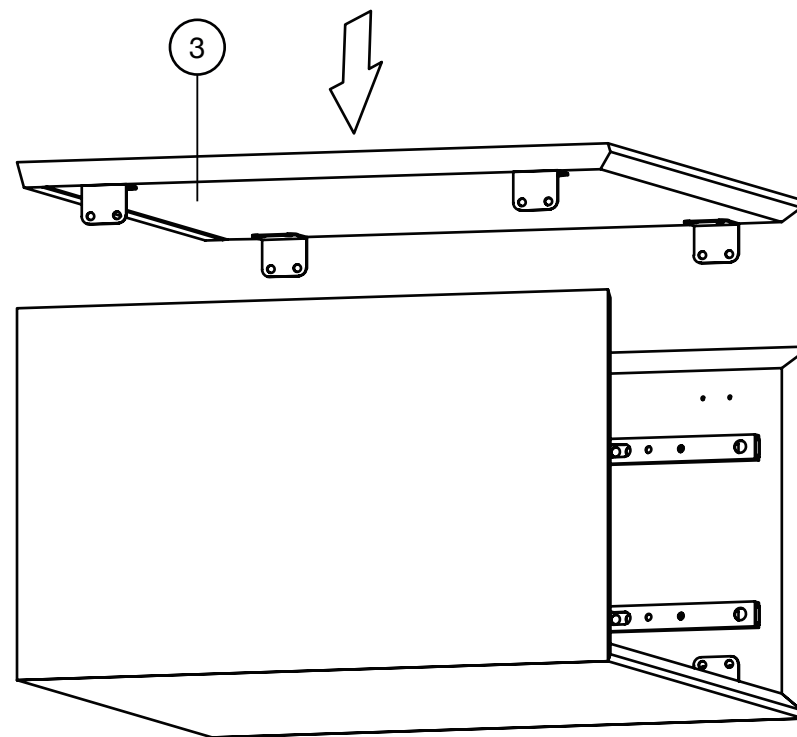
## Step 5

It's as easy as it looks! Just slide the back panel (4) down.



## Step 6

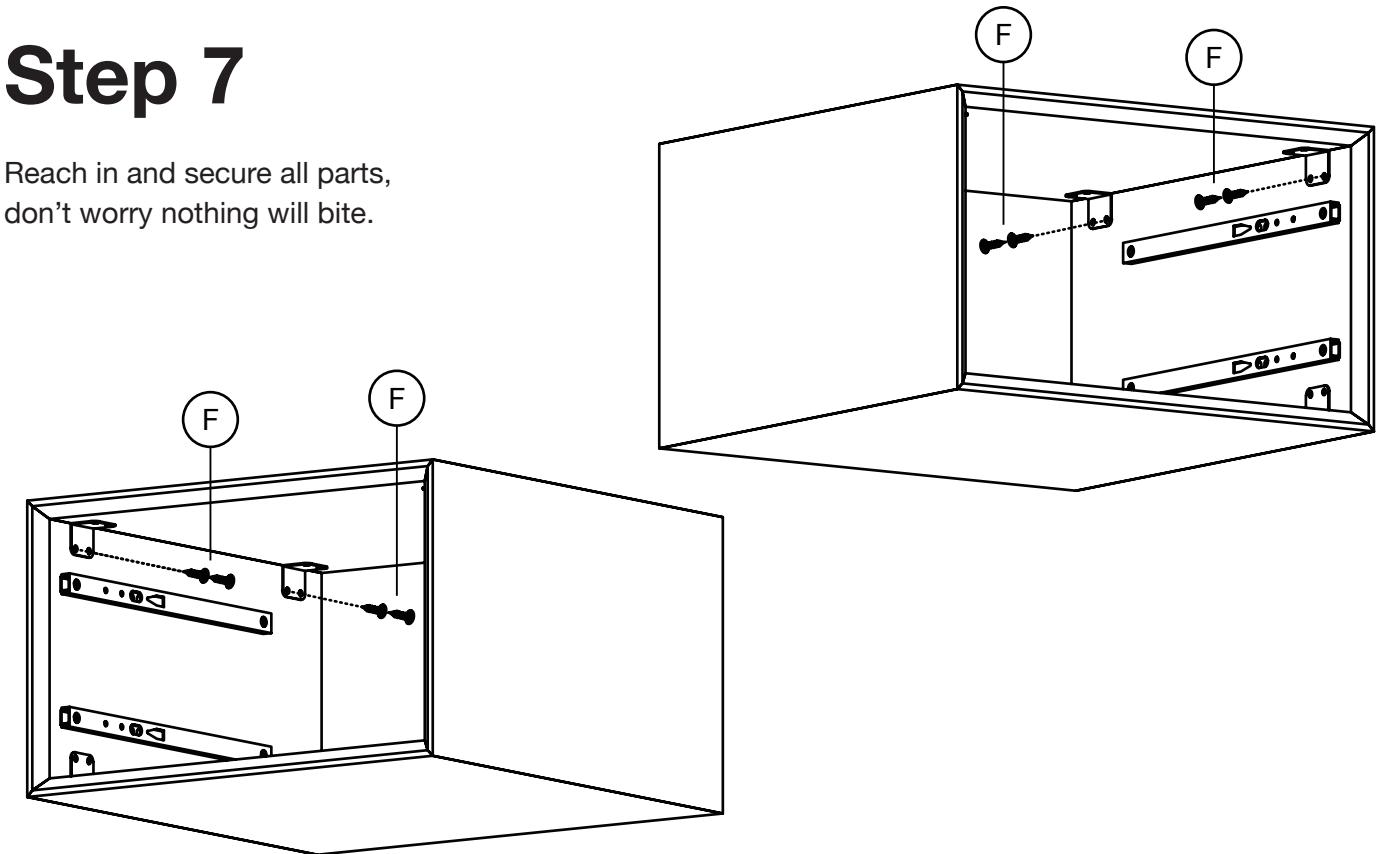
You're half way down! Time to order a pizza? This table top can comfortably fit a few large slices, just saying...



8

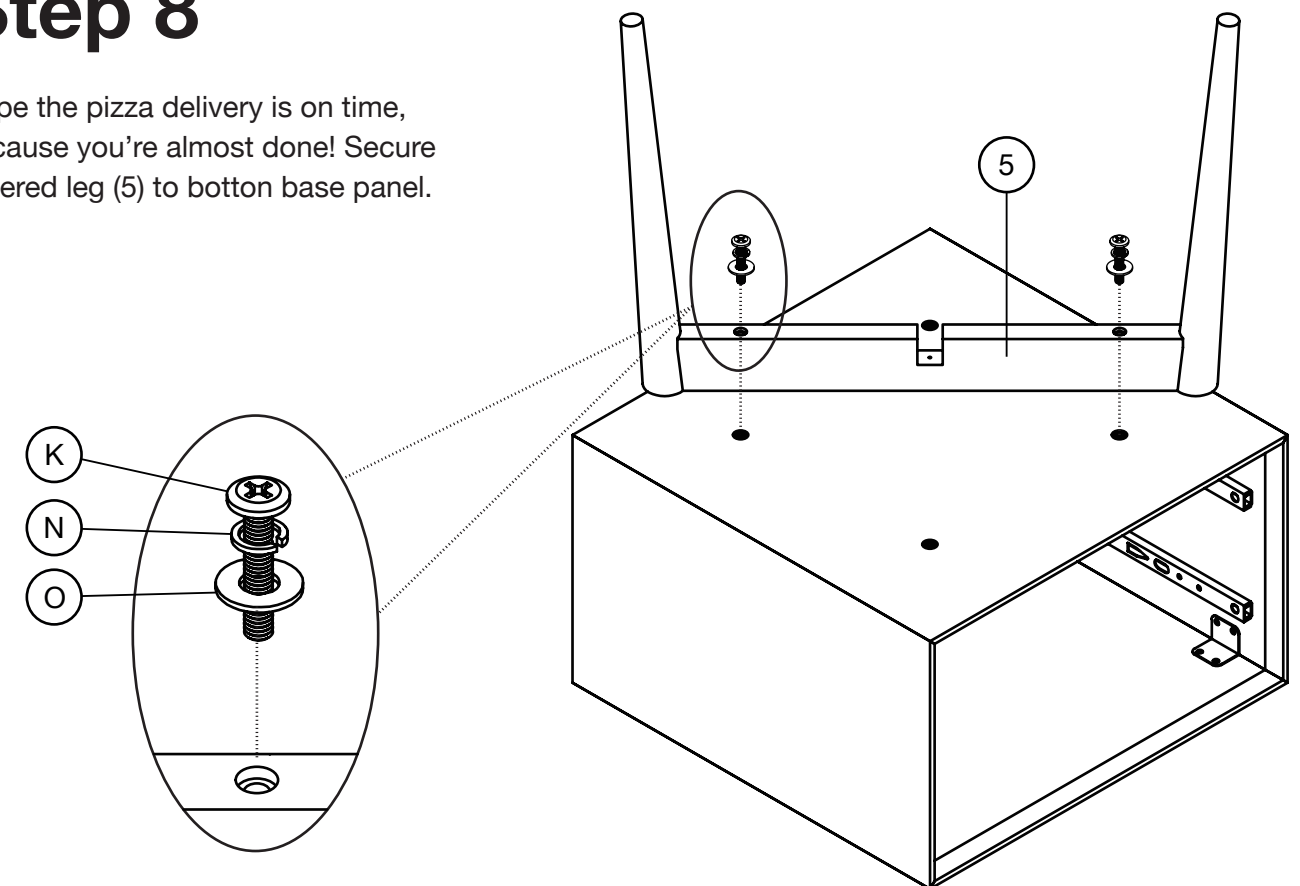
## Step 7

Reach in and secure all parts, don't worry nothing will bite.



## Step 8

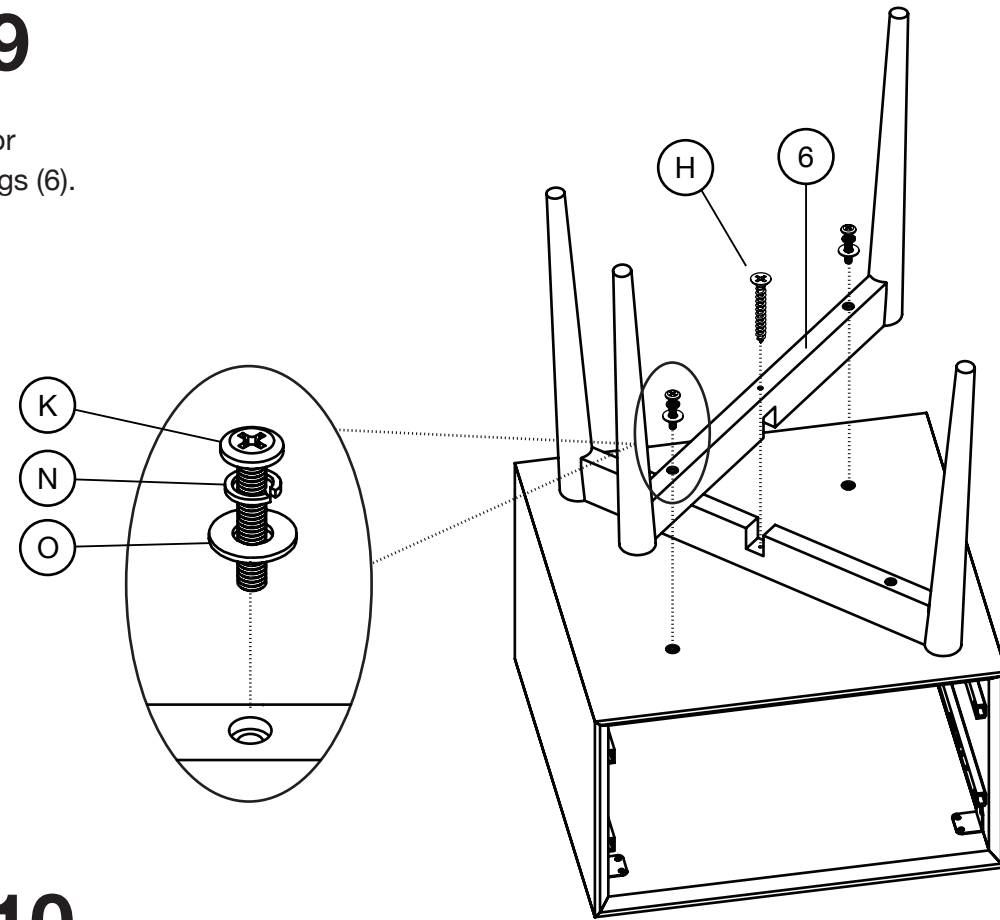
Hope the pizza delivery is on time, because you're almost done! Secure tapered leg (5) to bottom base panel.



9

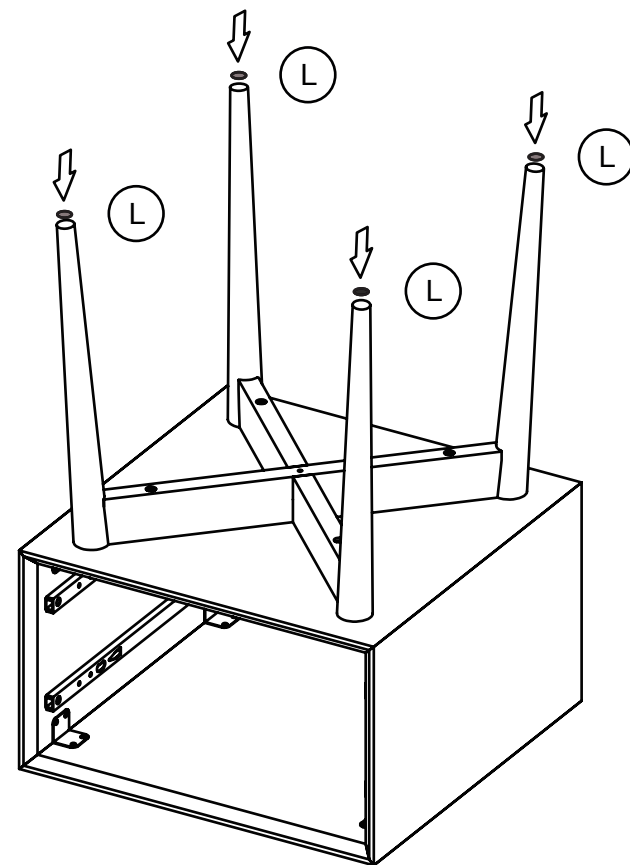
## Step 9

Repeat step 8 for second set of legs (6).



## Step 10

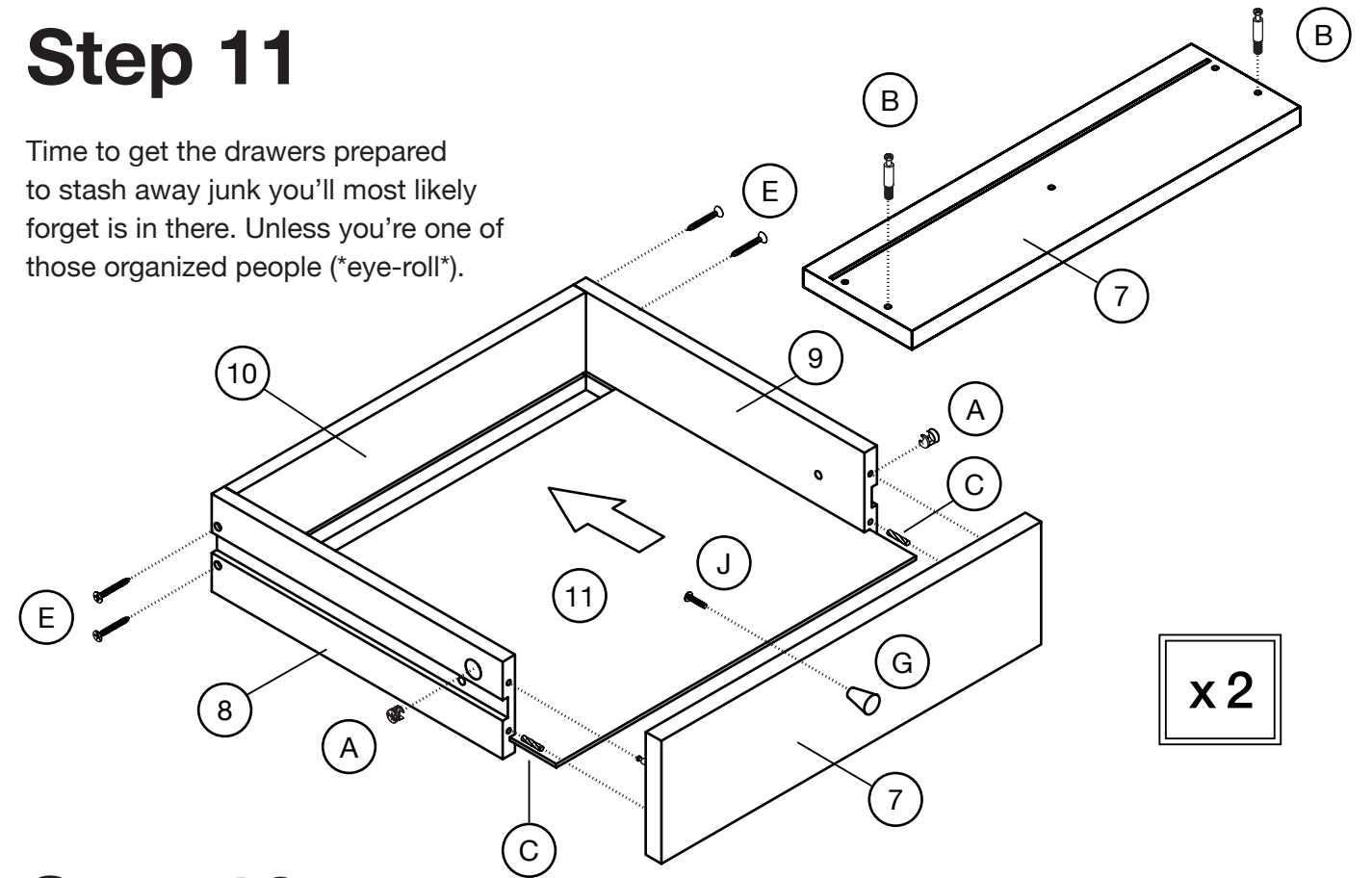
Apply foot pads and you're all set!



10

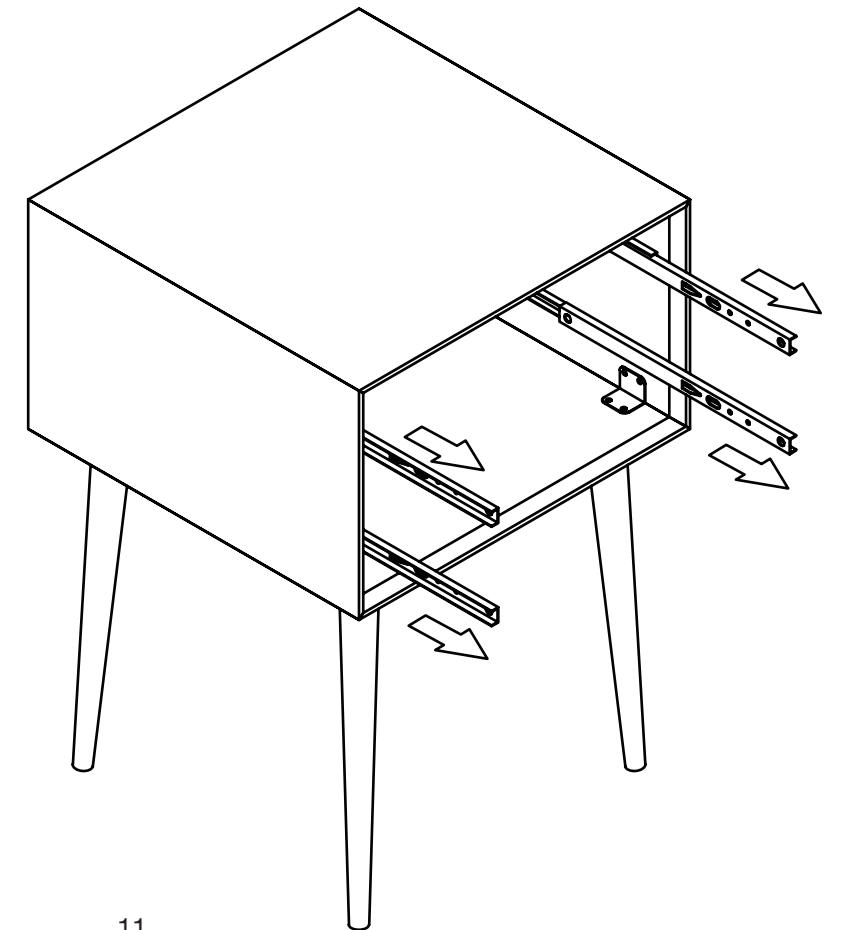
## Step 11

Time to get the drawers prepared to stash away junk you'll most likely forget is in there. Unless you're one of those organized people (\*eye-roll\*).



## Step 12

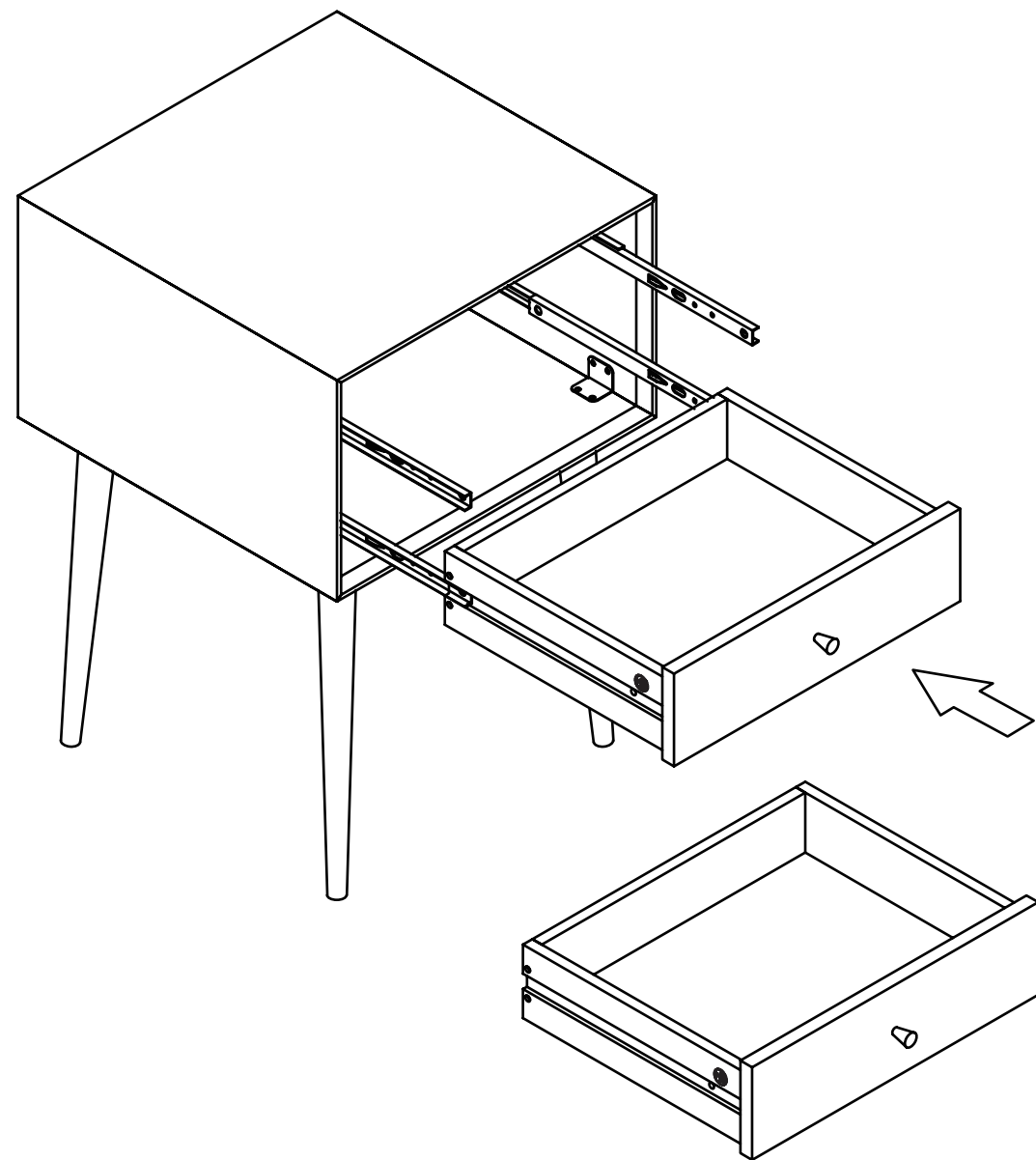
Pull the rails out and align drawer groove lines and slide them in.



11

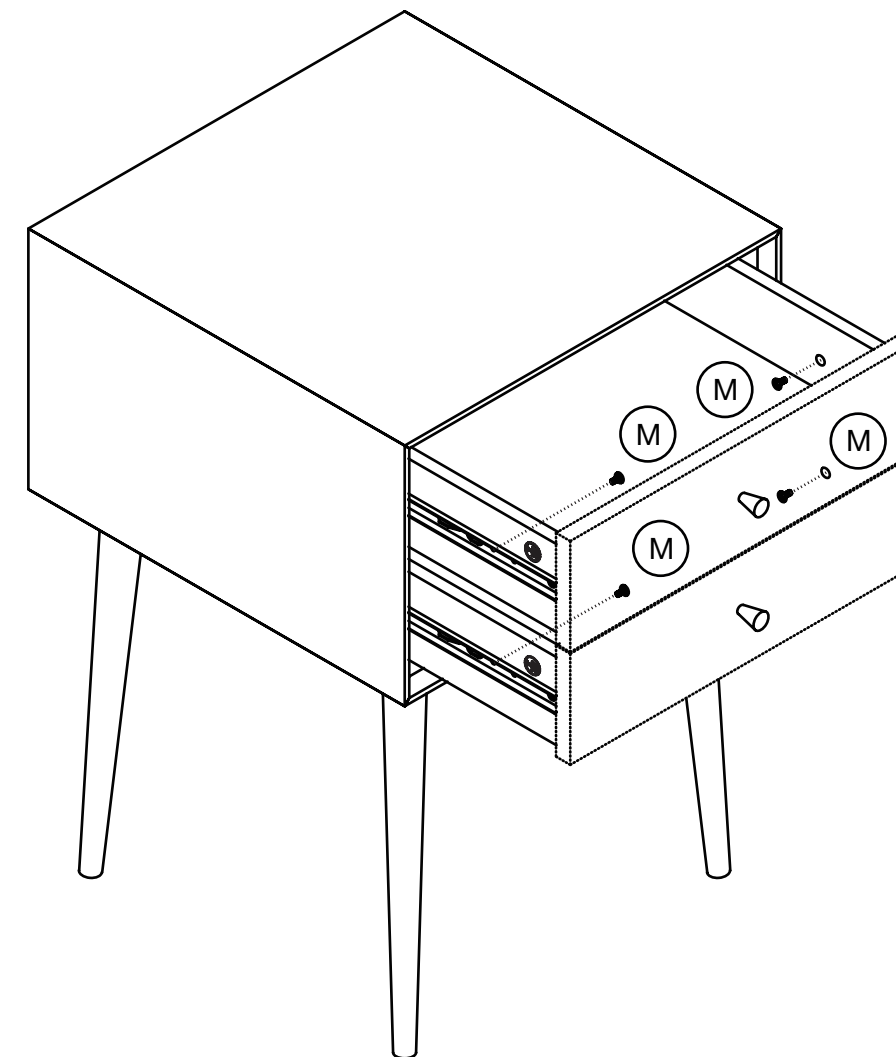
## Step 13

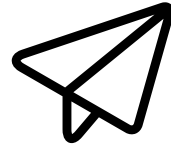
I hope you've planned what show you're going to watch - if not, you can browse Netflix while you finish off step 14.



## Step 14

Secure those drawers to the rail and go enjoy your well deserved slice & episode!





## No heartburn, when we handle the return

Give us a call **1-866-619-1004** or shoot us  
a message at [help@nathanjames.com](mailto:help@nathanjames.com)  
we will issue you a free replacement with  
**zero hassle.**

### Our way



Give us a call



Replacement



You

### Their way



Re-package item



Schedule pick up



Track package



Replacement



You

We really don't want you to go through the hassle of re-packaging your item and  
sending it back, because let's be honest...nobody has time for that.

## Safety first, fun later

We want your Harper Mid-Century Side Table to last as long as possible, so we recommend that you tighten the screws 2 weeks after assembly and for added safety check the tightness of all screws every 2 months.

For proper care and treatment of fabric & metal please check our website at [nathanjames.com/products](http://nathanjames.com/products)

### **Safety use of this product starts with you.**

Use this Harper Mid-Century Side Table responsibly with the primary concern for your safety. Follow assembly instructions carefully and inspect product upon receipt and each use. Nathan James and its parent companies cannot be held legally responsible for any injuries or death resulted from failure to follow instructions or improper use of this product.

## Proper Use




- DO NOT** use for commercial purposes
- DO NOT** use as a step stool or stand on table
- DO NOT** put hot serving liquid directly on the table top
- DO NOT** leave spilled liquid on the table top
- DO NOT** use table if damaged
- DO NOT** exceed weight limit
- DO NOT** make temporary repairs
- DO NOT** use outdoor



# We are only in business if you're happy

---

For starters,  
thanks for being you.

 Toll-free at 1-866-619-1004  
 Help@nathanjames.com  
 nathanjames.com/help

We do our best to ensure your furniture arrives without any problems, but occasionally mistakes happen - as humans we are imperfect beings. In the event that a part is damaged or missing, we will be more than happy to provide you with replacement part(s) for free.

## Warranty

Manufacturer-guaranteed lifetime warranty.  
Please use your phone to scan the QR code to register your product or visit <https://goo.gl/i9dk3q>



## Did we do alright? Please spread the love!

If you are happy with your product, tell your friends and family about us or even better leave us a review online. Spreading the word gives us the opportunity to make more people happy and keep our prices low for your next purchase.

*Brooklyn Burdon*

- Founder, Nathan James