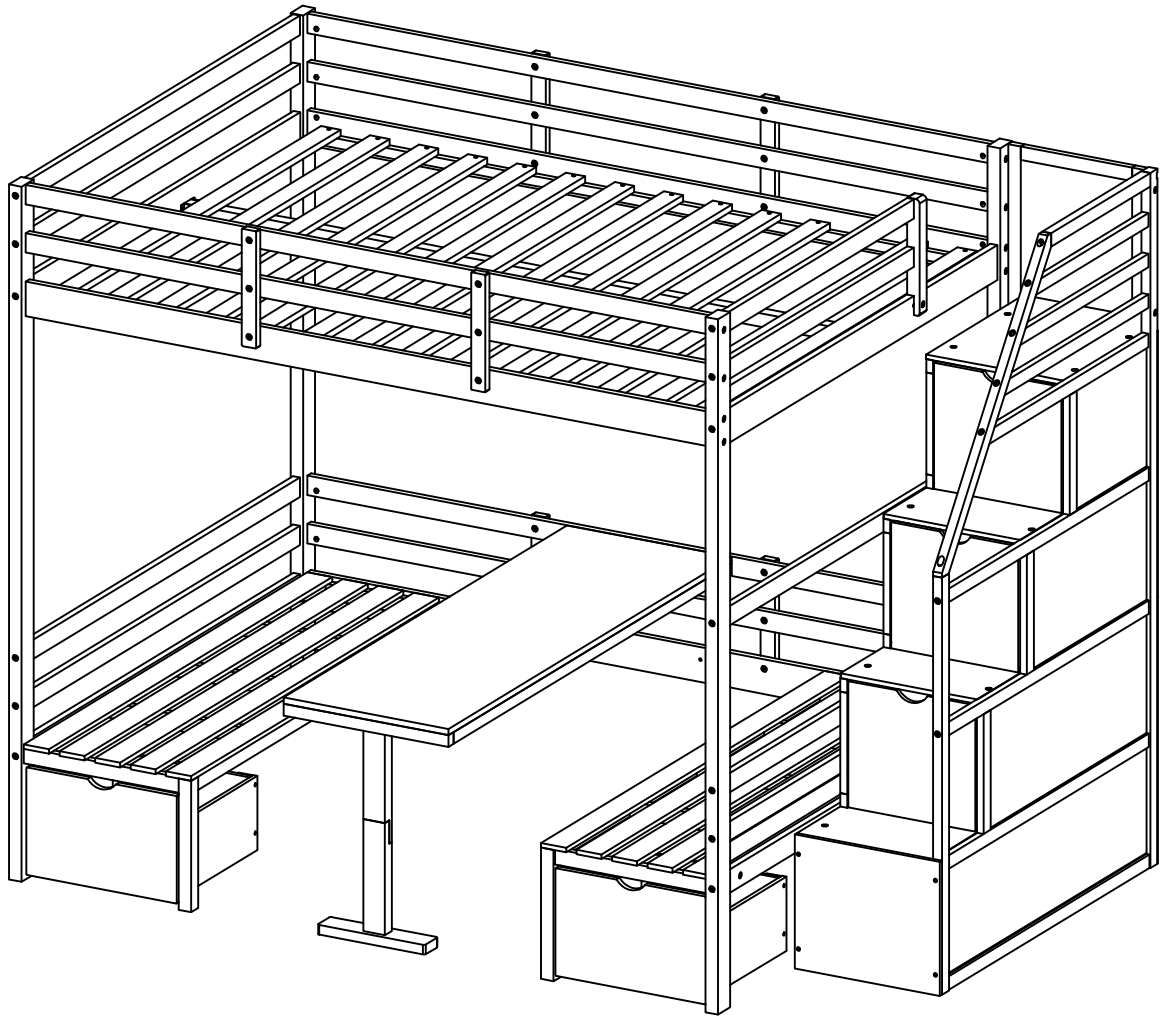


ASSEMBLY INSTRUCTION

SKU CODE: WF294678/WF294679/WF294680





SAFETY WARNINGS



1. This bed is designed for use only mattress(es) meeting the following specifications on the upper bunk:
Upper bunk (bunk bed and tribed included)

Upper bed

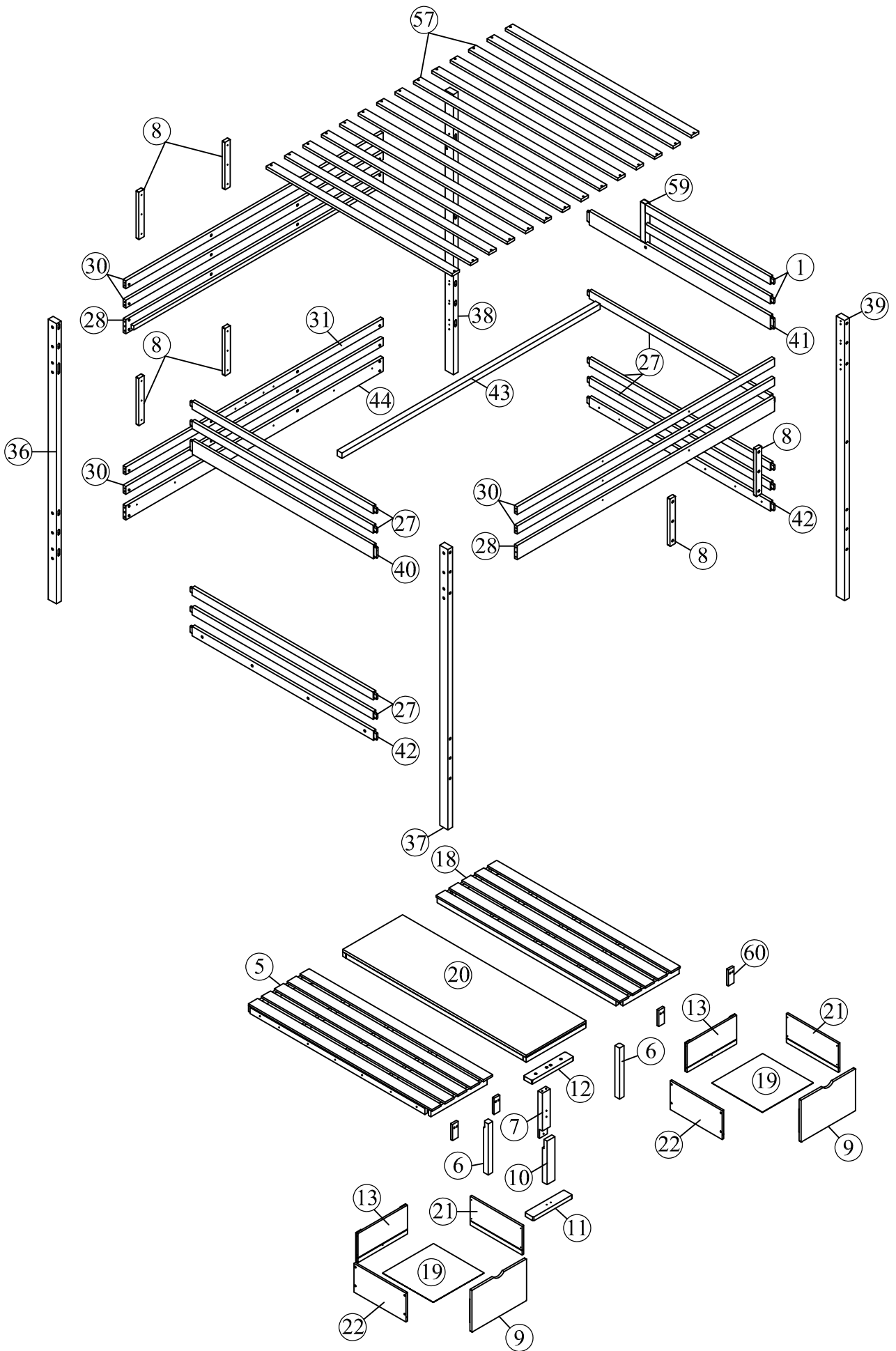
<i>Bed Type</i>	<i>Length</i>	<i>Width</i>	<i>Thickness</i>
<i>Full Standard</i>	<i>74"-75"</i>	<i>52 1/2"-54"</i>	<i>6" max</i>

Lower bed

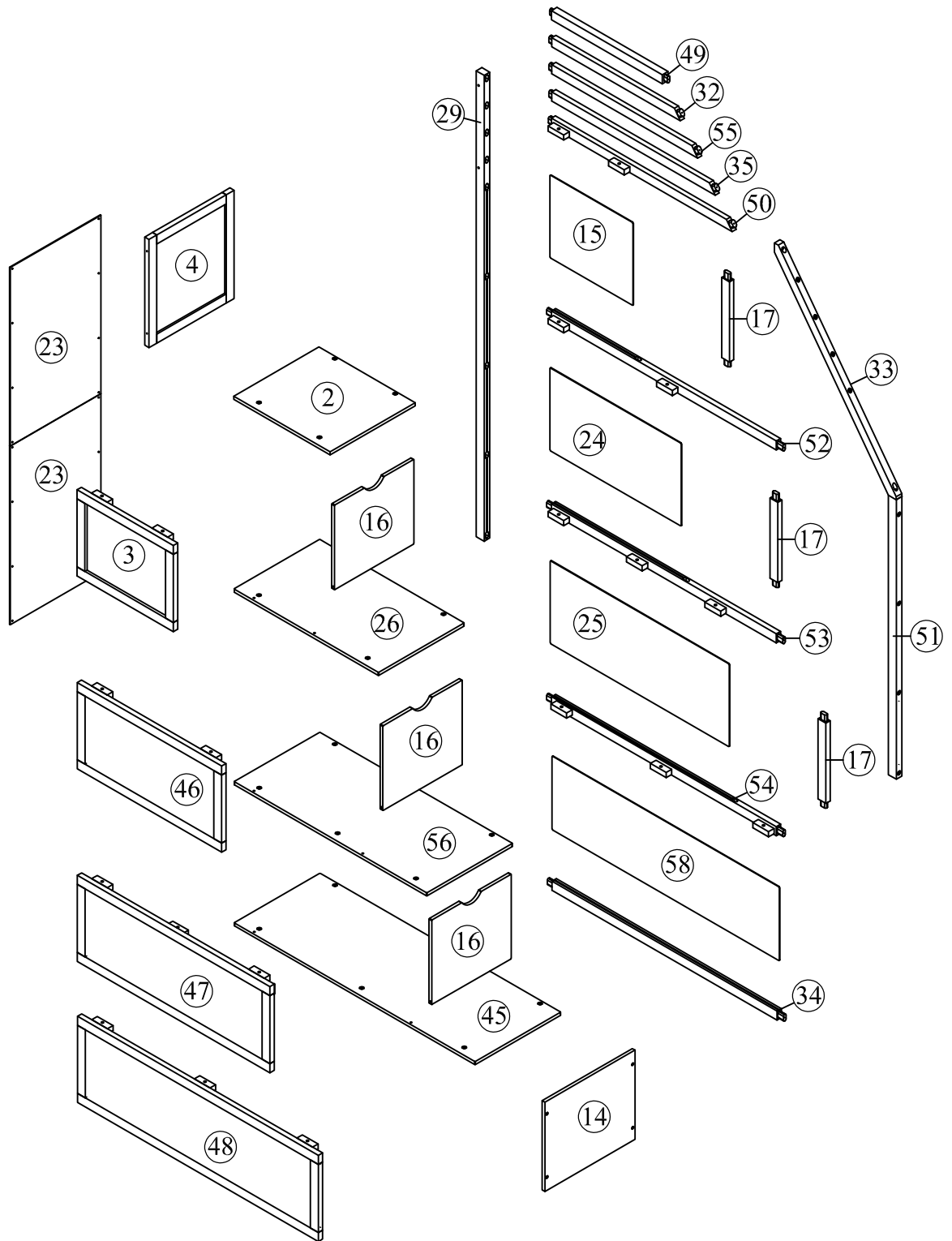
<i>Bed Type</i>	<i>Length</i>	<i>Width</i>	<i>Thickness</i>
<i>Full Standard</i>	<i>74"-75"</i>	<i>52 1/2"-54"</i>	<i>8" max</i>

2. Replacement parts, including additional guardrails, maybe obtained from any of our (GIGACLOUDTECHNOLOGY (USA) INC. 18961 ARENTH AVENUE CITY OF INDUSTRY, CA, 91748) dealers.
3. Follow the information on the warnings appearing on the upper bunk bed end structure and on the carton. Do not remove warning label from bed.
4. Always use the recommended size mattresses or mattress supports, or both, to help prevent the likelihood of entrapment or falls.
5. Surface of the mattress must be at least 5". (127 mm) below the upper edge of guardrails.
6. Do not allow children under 6 years of age to use the upper bunk.
7. Periodically check and ensure that the guardrail, ladder, and other components are in their proper position, free from damage, and that all connectors are tight.
8. Do not allow horseplay on or under the bed and prohibit jumping on the bed
9. Always use the ladder for entering and leaving the upper bunk.
10. Do not use substitute parts. Contact the manufacturer or dealer for replacement parts.
11. Use of a night light may provide added safety precaution for a child using the upper bunk.
12. Always use guardrails on both long sides of the upper bunk. If the bunk bed will be placed next to the wall, the guardrail that runs the full length of the bed should be placed against the wall to prevent entrapment between the bed and wall.
13. The use of water or sleep flotation mattresses is prohibited.
14. STRANGULATION HAZARD - Never attach or hang items to any part of the bunk bed that are not designed for use with the bed; for example, but not limited to, hook, belts and jump ropes.
15. Keep these instructions for future reference
16. Prohibit more than one person on upper bunk.
17. We recommend assembling your bunk bed on the shipping carton to protect your floor or carpet.
18. Be certain all staples are out of the box before beginning assembly on the shipping carton.

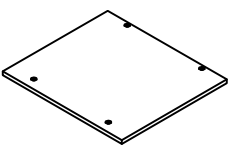
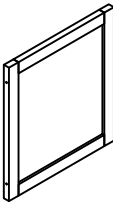
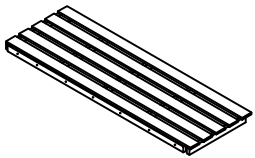
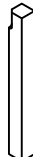
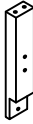

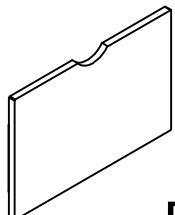

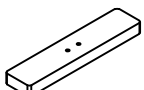
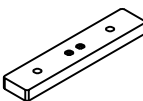
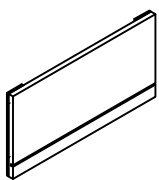
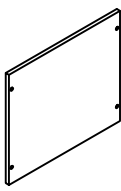
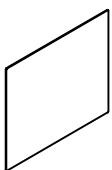
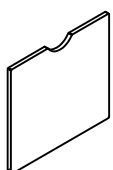
Detail view:




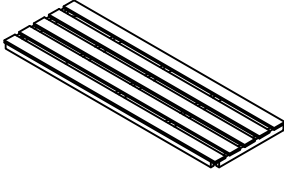
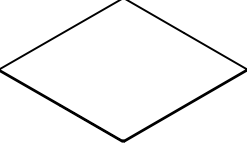
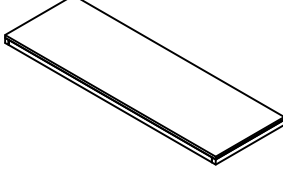
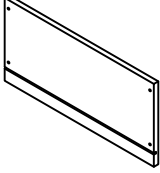
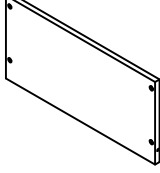
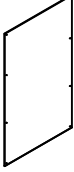
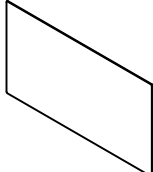
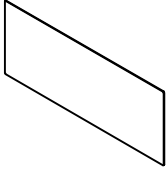
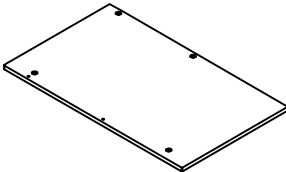
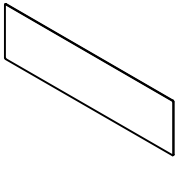

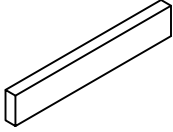
Detail view:



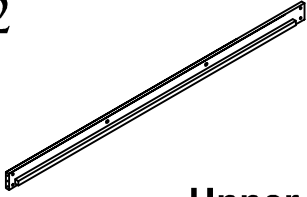

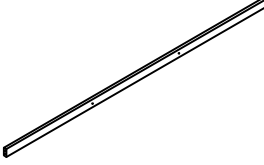
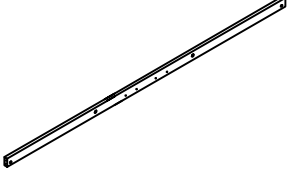
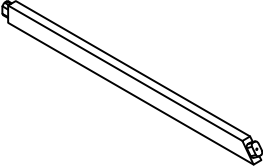
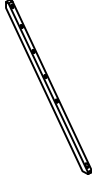
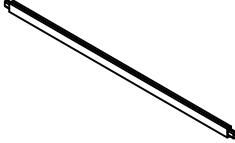
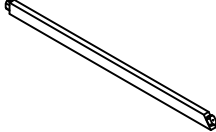

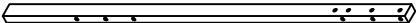
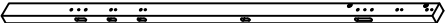
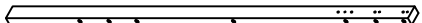
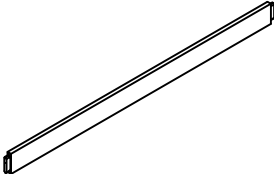
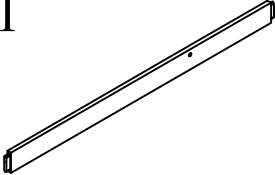
Part List (WF294678)

<p>② x1</p>  <p style="text-align: center;">Front Ladder Post 1</p>	<p>④ x1</p>  <p style="text-align: center;">Frame Back Ladder Post</p>
<p>⑤ x1</p>  <p style="text-align: center;">Left Front Bench</p>	<p>⑥ x2</p>  <p style="text-align: center;">Legs Bench</p>
<p>⑦ x1</p>  <p style="text-align: center;">Lifting Table Leg</p>	<p>⑧ x6</p>  <p style="text-align: center;">Vertical Left Guards</p>
<p>⑨ x2</p>  <p style="text-align: center;">Drawers Front</p>	<p>⑩ x1</p>  <p style="text-align: center;">Lifting Table Leg</p>
<p>⑪ x1</p>  <p style="text-align: center;">Table Leg Base</p>	<p>⑫ x1</p>  <p style="text-align: center;">Table Leg Base</p>
<p>⑬ x2</p>  <p style="text-align: center;">Back Drawers</p>	<p>⑭ x1</p>  <p style="text-align: center;">Panel Ladder Post 4</p>
<p>⑮ x1</p>  <p style="text-align: center;">Panel Frame Handrail</p>	<p>⑯ x3</p>  <p style="text-align: center;">Front Ladder Posts</p>

Part List (WF294678)

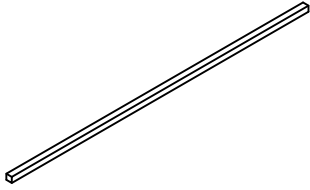
<p>①7 x3</p>  <p>Frame Handrails</p>	<p>①8 x1</p>  <p>Right Front Bench</p>
<p>①9 x2</p>  <p>Drawer Bottoms</p>	<p>②0 x1</p>  <p>Lifting Table Front</p>
<p>②1 x2</p>  <p>Drawer Sides</p>	<p>②2 x2</p>  <p>Drawer Sides</p>
<p>②3 x2</p>  <p>Back Ladder Post 1</p>	<p>②4 x1</p>  <p>Panel Frame Handrail</p>
<p>②5 x1</p>  <p>Panel Frame Handrail</p>	<p>②6 x1</p>  <p>Front Ladder Post 2</p>
<p>⑤8 x1</p>  <p>Panel Frame Handrail</p>	<p>⑤9 x1</p>  <p>Vertical Right Guard</p>
<p>⑥1 x2</p>  <p>Wood stops Bench</p>	

Part List (WF294679)

<p>②⑧ x2</p>  <p style="text-align: center;">Upper Side Rails</p>	<p>②⑨ x1</p>  <p style="text-align: center;">Frame Handrail Leg</p>
<p>③① x5</p>  <p style="text-align: center;">Long Left Guards</p>	<p>③① x1</p>  <p style="text-align: center;">Long Left Guard</p>
<p>③② x1</p>  <p style="text-align: center;">Frame Handrail</p>	<p>③③ x1</p>  <p style="text-align: center;">Frame Handrail</p>
<p>③④ x1</p>  <p style="text-align: center;">Frame Handrail</p>	<p>③⑤ x1</p>  <p style="text-align: center;">Frame Handrail</p>
<p>③⑥ x1</p>  <p style="text-align: center;">Headboard Leg Upper</p>	<p>③⑦ x1</p>  <p style="text-align: center;">Headboard Leg Upper</p>
<p>③⑧ x1</p>  <p style="text-align: center;">Footboard Leg Upper</p>	<p>③⑨ x1</p>  <p style="text-align: center;">Footboard Leg Upper</p>
<p>④① x1</p>  <p style="text-align: center;">Upper Headboard Guard</p>	<p>④① x1</p>  <p style="text-align: center;">Upper Headboard Guard</p>

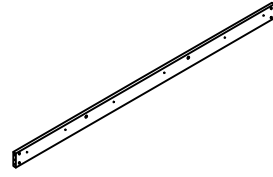
Part List (WF294679)

43 x1



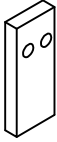
Support Slat

44 x1



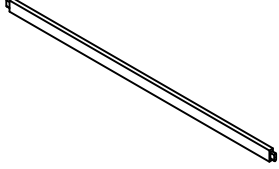
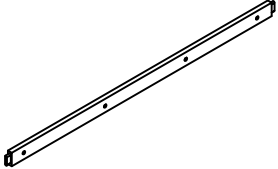
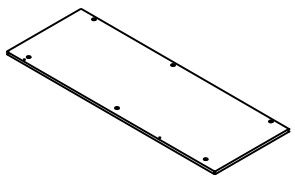
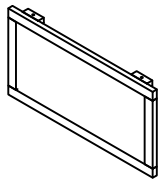
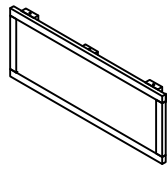
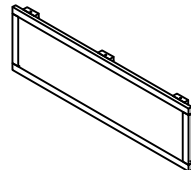
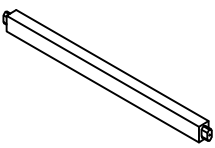
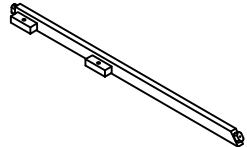
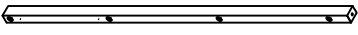
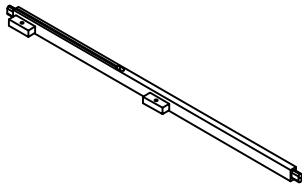
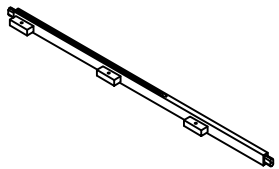
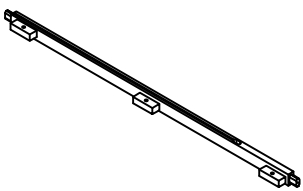
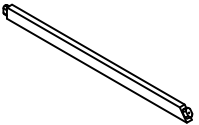
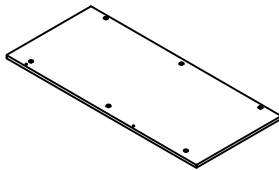
Under Side Rails

60 x4



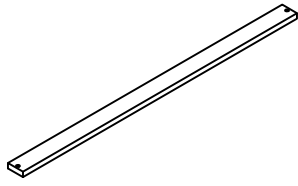
Wood stops

Part List (WF294680)

<p>②⑦ x7 </p> <p style="text-align: center;">Under Foodboard Guards</p>	<p>④② x2 </p> <p style="text-align: center;">Under Foodboard Guard</p>
<p>④⑤ x1 </p> <p style="text-align: center;">Front Ladder Post 4</p>	<p>④⑥ x1 </p> <p style="text-align: center;">Side Ladder Post 2</p>
<p>④⑦ x1 </p> <p style="text-align: center;">Side Ladder Post 3</p>	<p>④⑧ x1 </p> <p style="text-align: center;">Side Ladder Post 4</p>
<p>④⑨ x1 </p> <p style="text-align: center;">Frame Handrail</p>	<p>⑤① x1 </p> <p style="text-align: center;">Frame Handrail</p>
<p>⑤① x1 </p> <p style="text-align: center;">Frame Handrail</p>	<p>⑤② x1 </p> <p style="text-align: center;">Frame Handrail</p>
<p>⑤③ x1 </p> <p style="text-align: center;">Frame Handrail</p>	<p>⑤④ x1 </p> <p style="text-align: center;">Frame Handrail</p>
<p>⑤⑤ x1 </p> <p style="text-align: center;">Frame Handrail</p>	<p>⑤⑥ x1 </p> <p style="text-align: center;">Front Ladder Post 3</p>

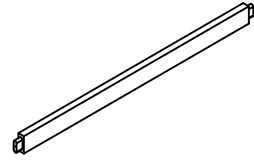
Part List (WF294680)

57 x14



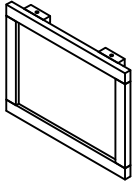
Slats

1 x2




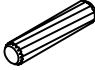

















Upper Foodboard Guards

3 x1

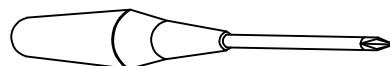


Side Ladder Post 1



Hardware List (WF294679)

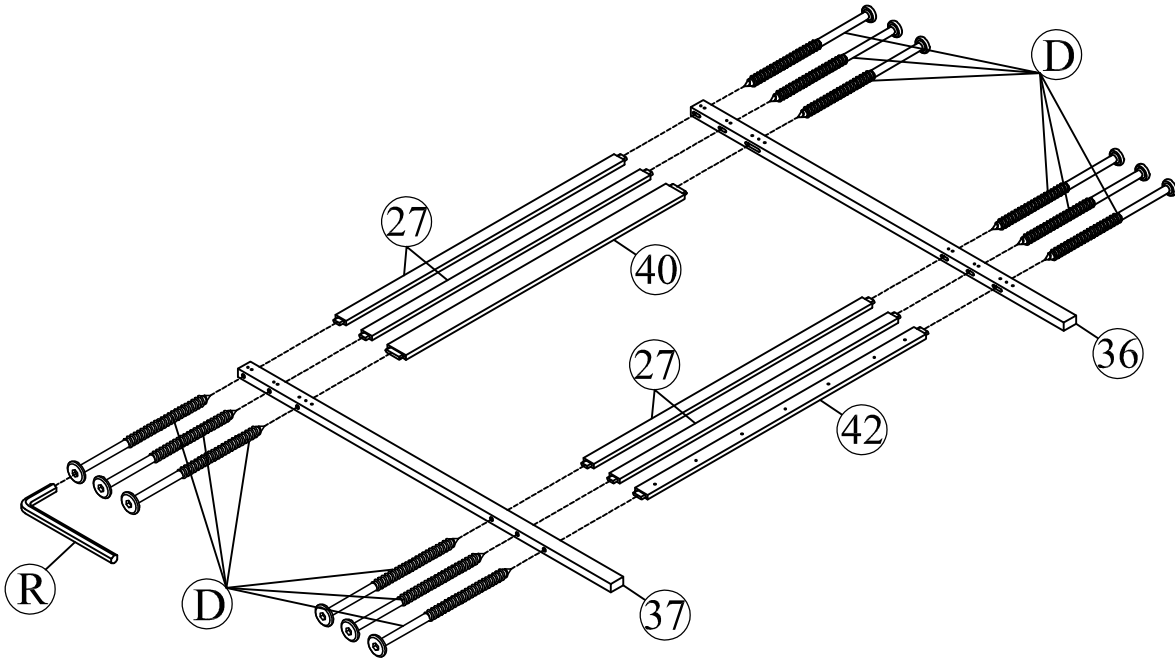
No.	OUTLOOK	DESC	QTY
(A)		Dowel Ø8*30mm	12
(B)		Dowel Ø10*40mm	06
(C)		Screws Ø6.5*40mm	21
(D)		Screws Ø6.5*70mm	24
(E)		Bolts 1/4"*25mm	32
(F)		Bolts 1/4"*40mm	04
(G)		Bolts 1/4"*45mm	04
(H)		Bolts 1/4"*25mm	33
(I)		Bolts 1/4"*70mm	24
(J)		Screws #6*12mm	32
(M)		Screws #8*15mm	24
(N)		Screws #8*25mm	72
(O)		Metal base	02
(P)		Iron round pin Ø6*20mm	06
(Q)		Wheels	08
(R)		Allen key 60*22*4mm	01
(S)		Dowel Ø10*30mm	12
(T)		Screws Ø6.5*50mm	04
(U)		Metal base	04

ASSEMBLY TOOLS REQUIRED (NOT INCLUDED)





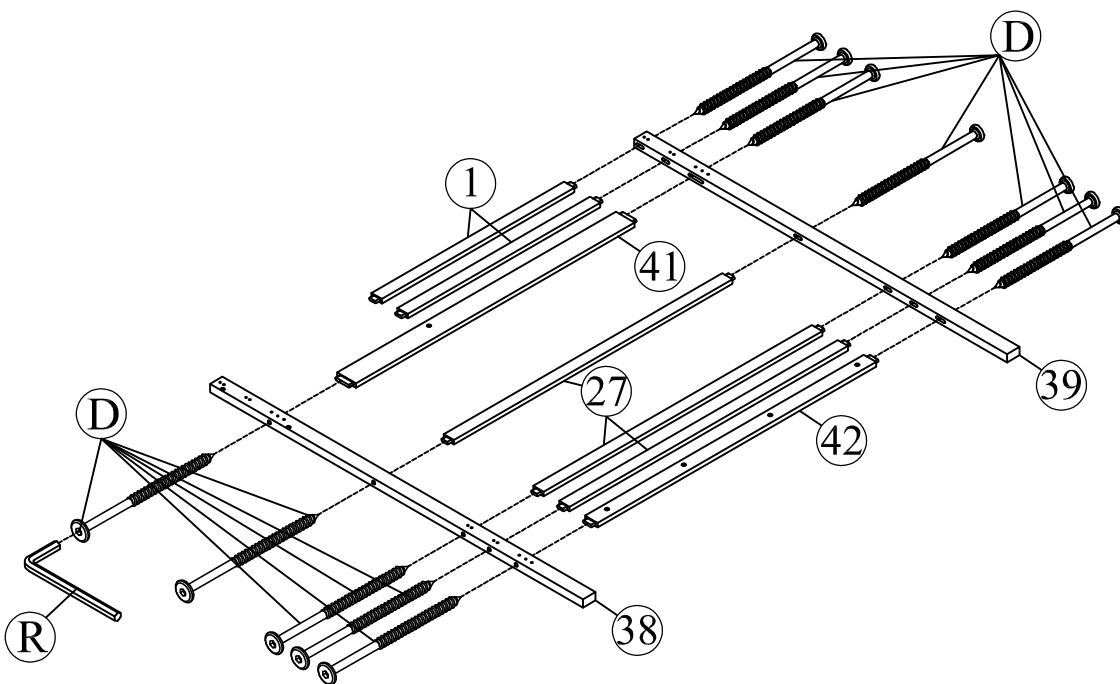
STEP 1:

(D)		12
(R)		01

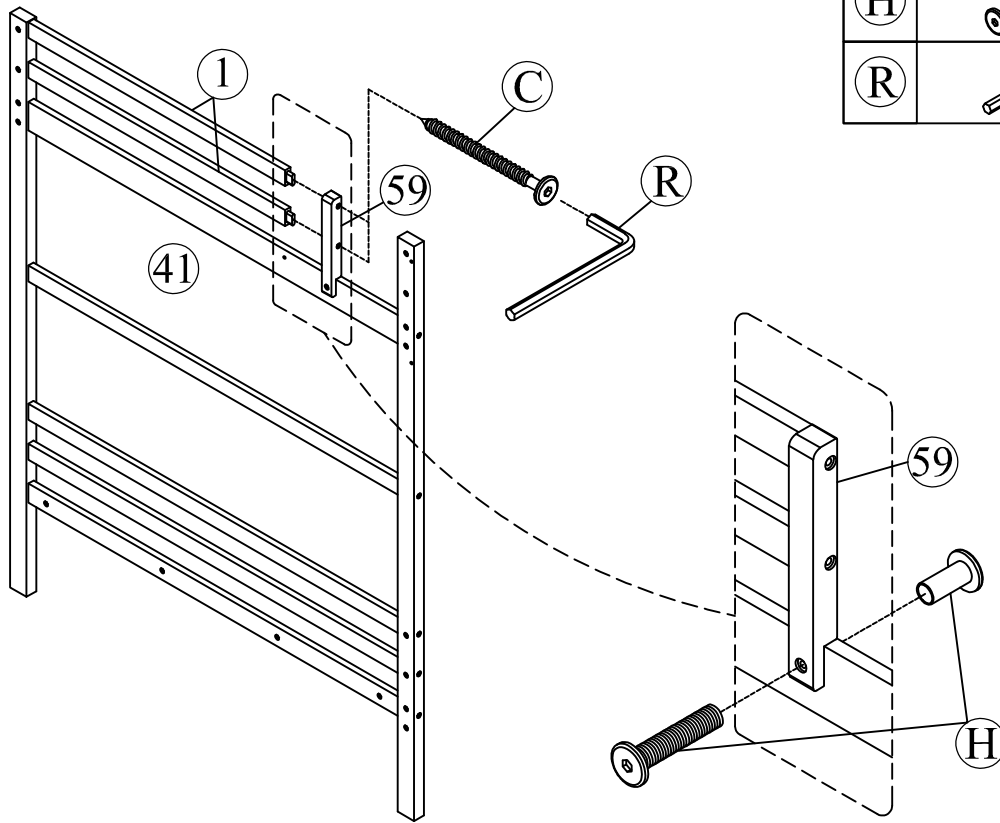





STEP 2:

(D)		12
(R)		01

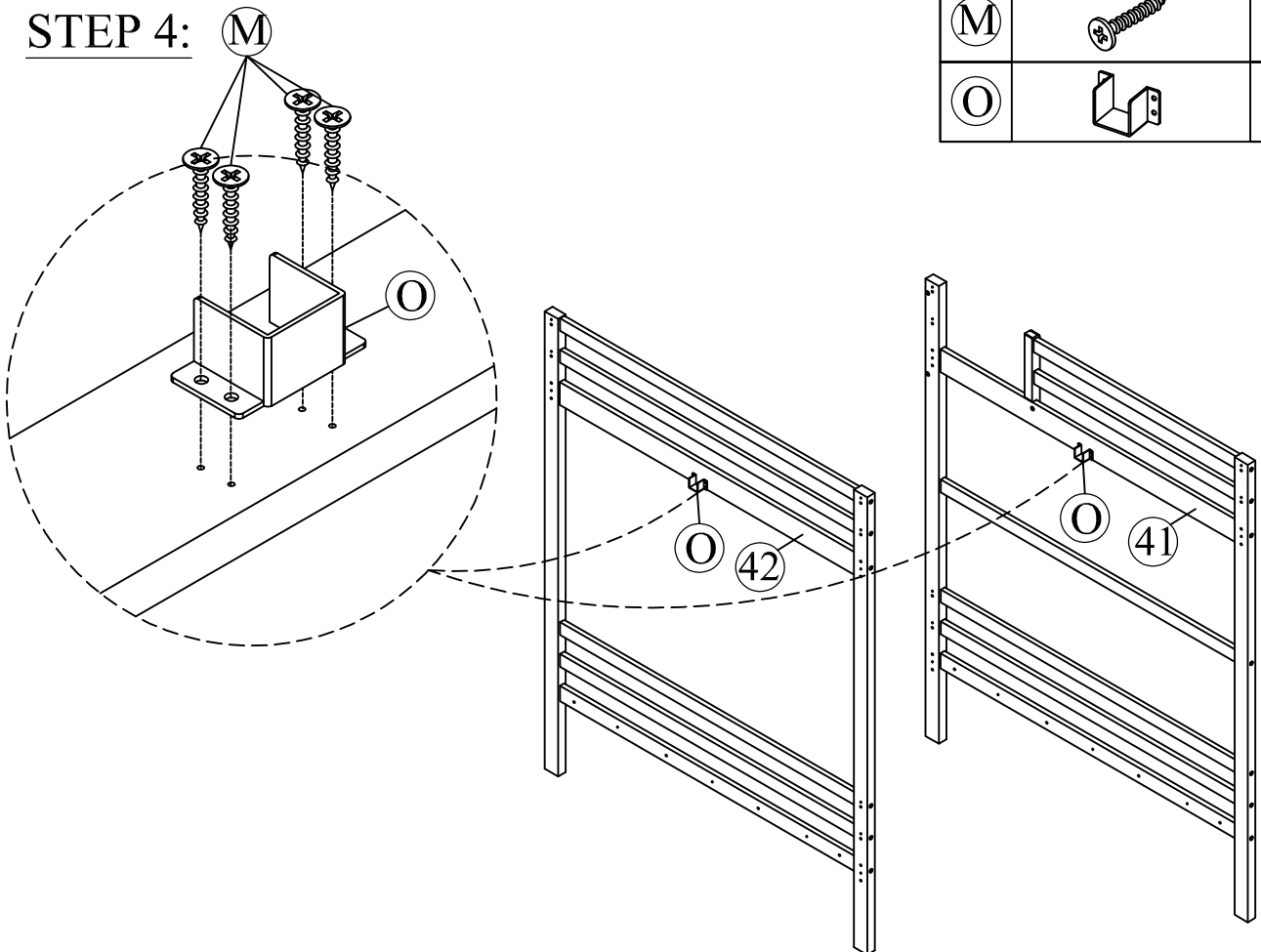




STEP 3:



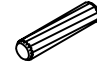



(C)		02
(H)		01
(R)		01

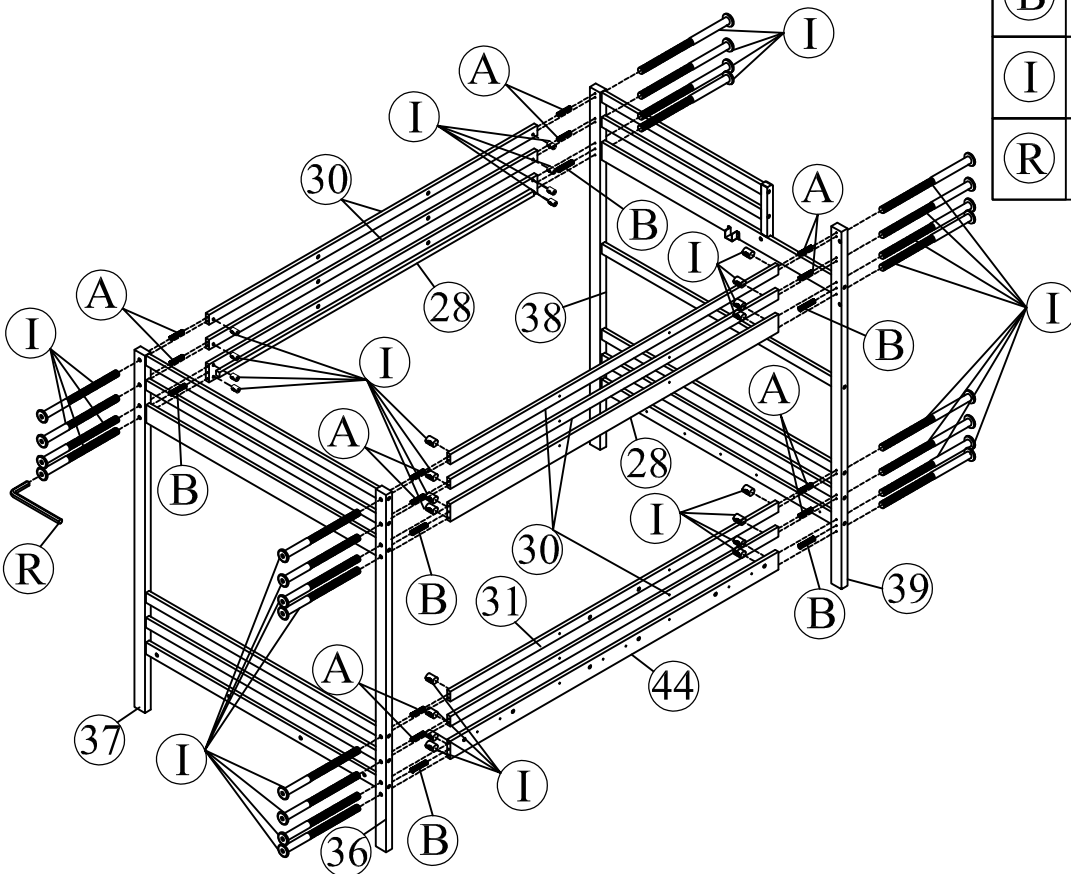
STEP 4:





(M)		08
(O)		02

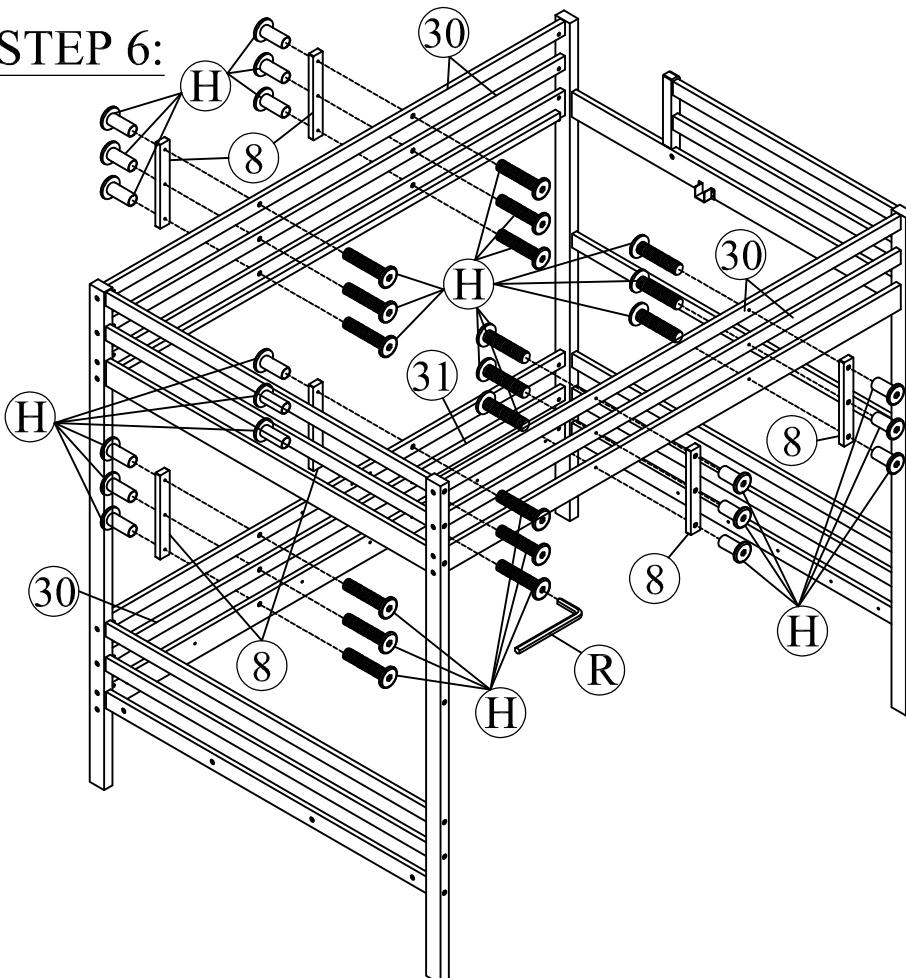
STEP 5:

(A)		12
(B)		06
(I)		24
(R)		01

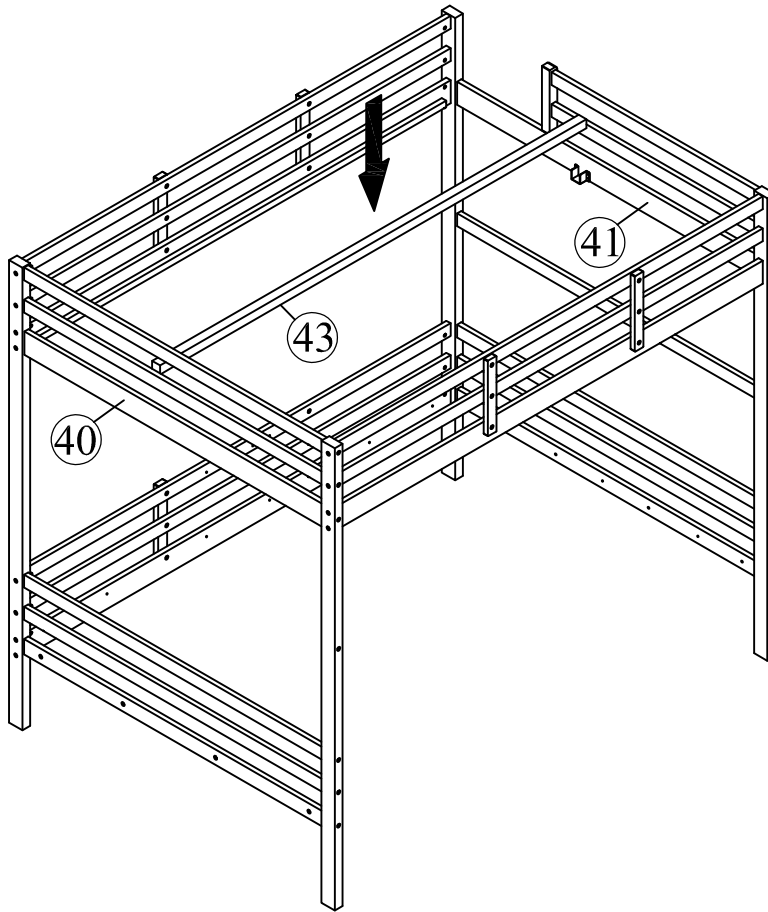


STEP 6:

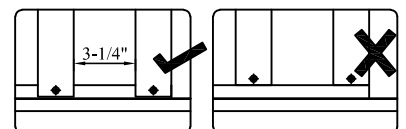
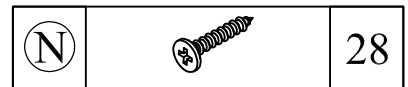
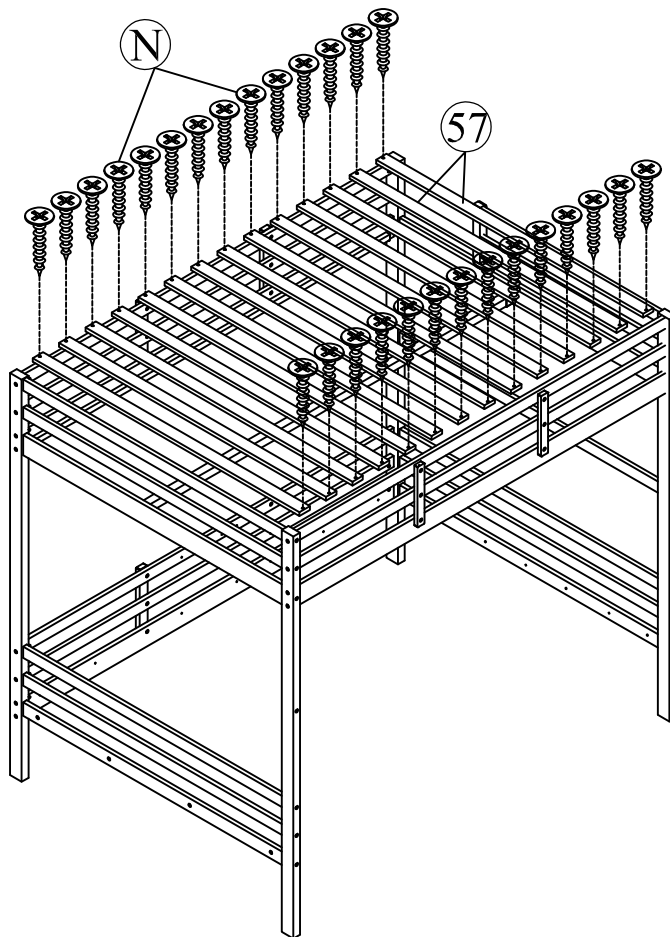
(H)		18
(R)		01



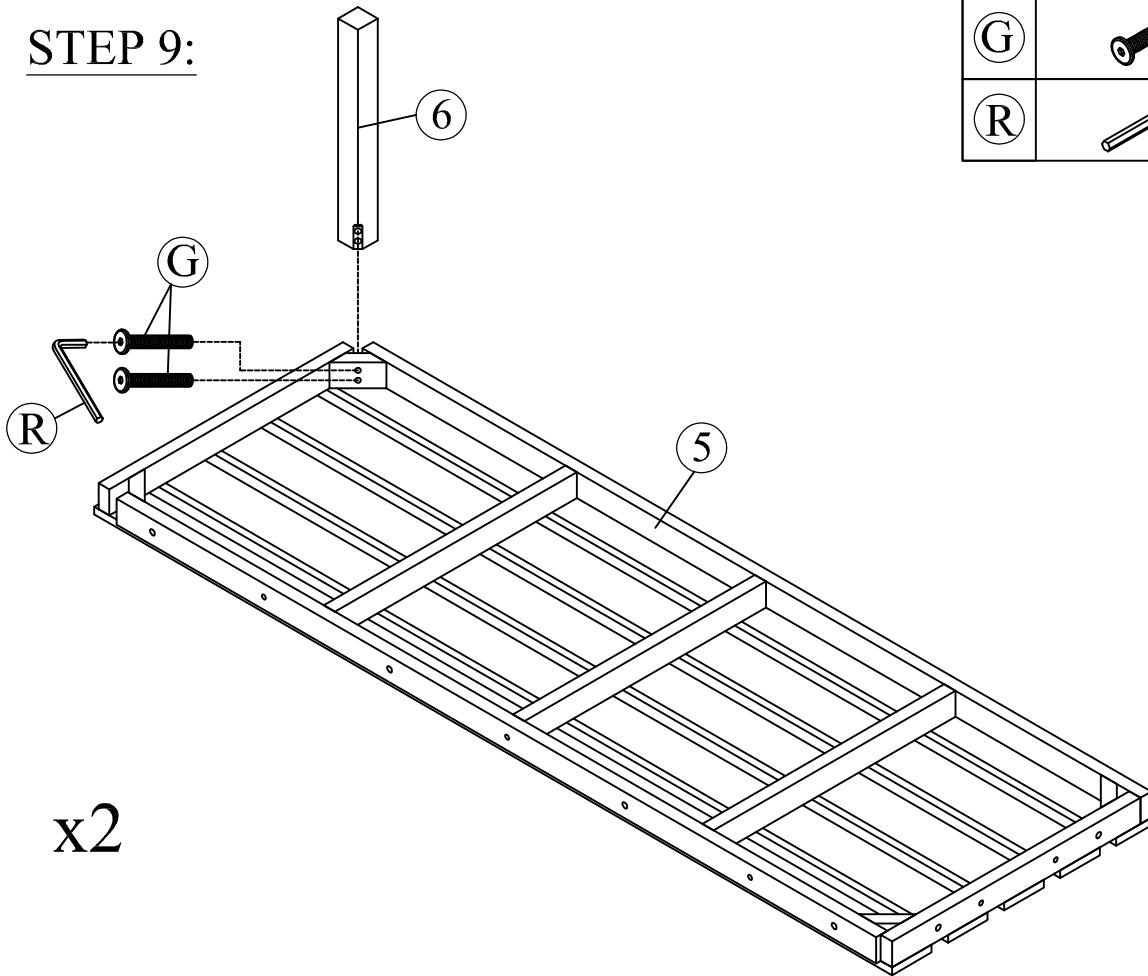
STEP 7:





STEP 8:



STEP 9:

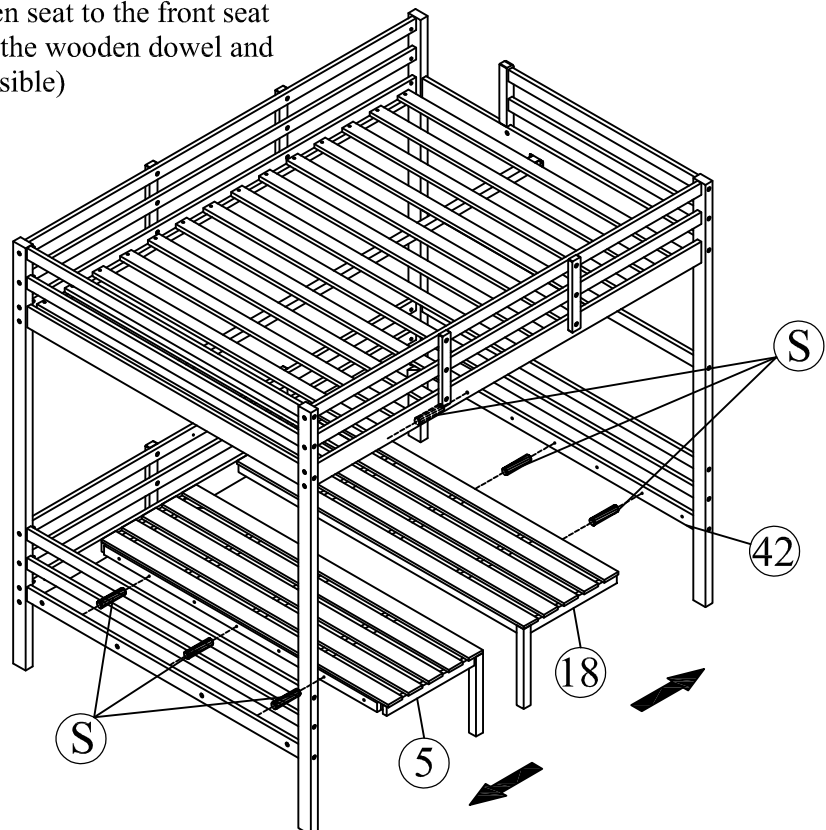



(G)		04
(R)		01

x2


STEP 10:

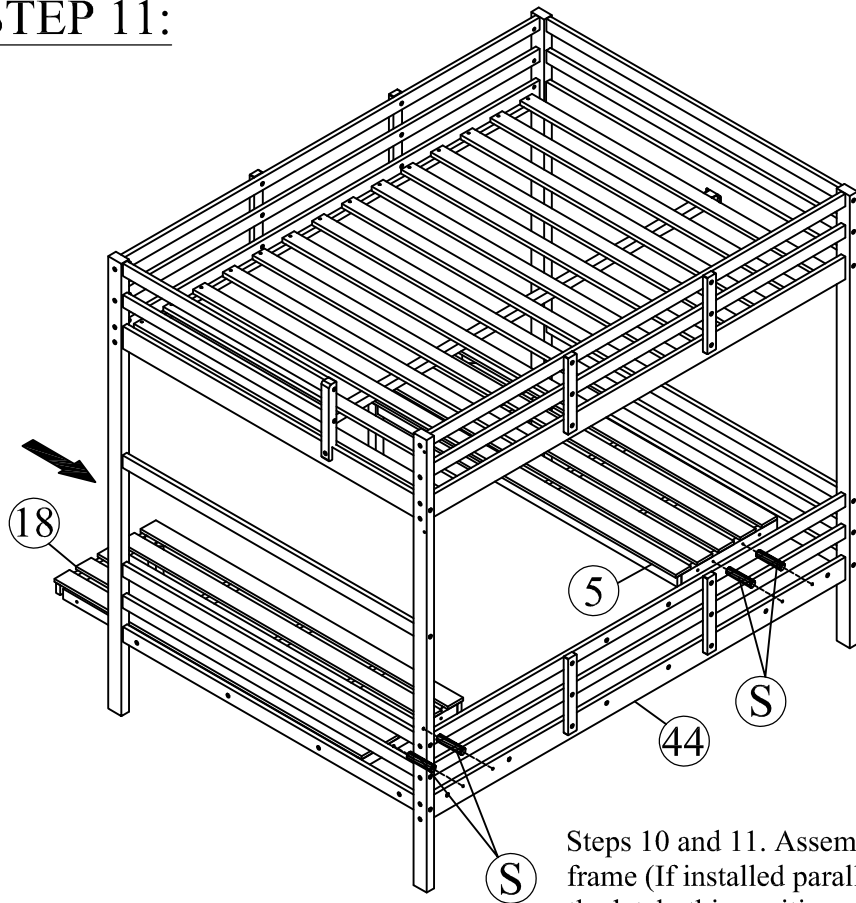
Steps 10 and 11. Assemble the wooden seat to the front seat frame (If installed parallelly between the wooden dowel and the latch, this position will not be possible)



(S)		06
-----	---	----



STEP 11:

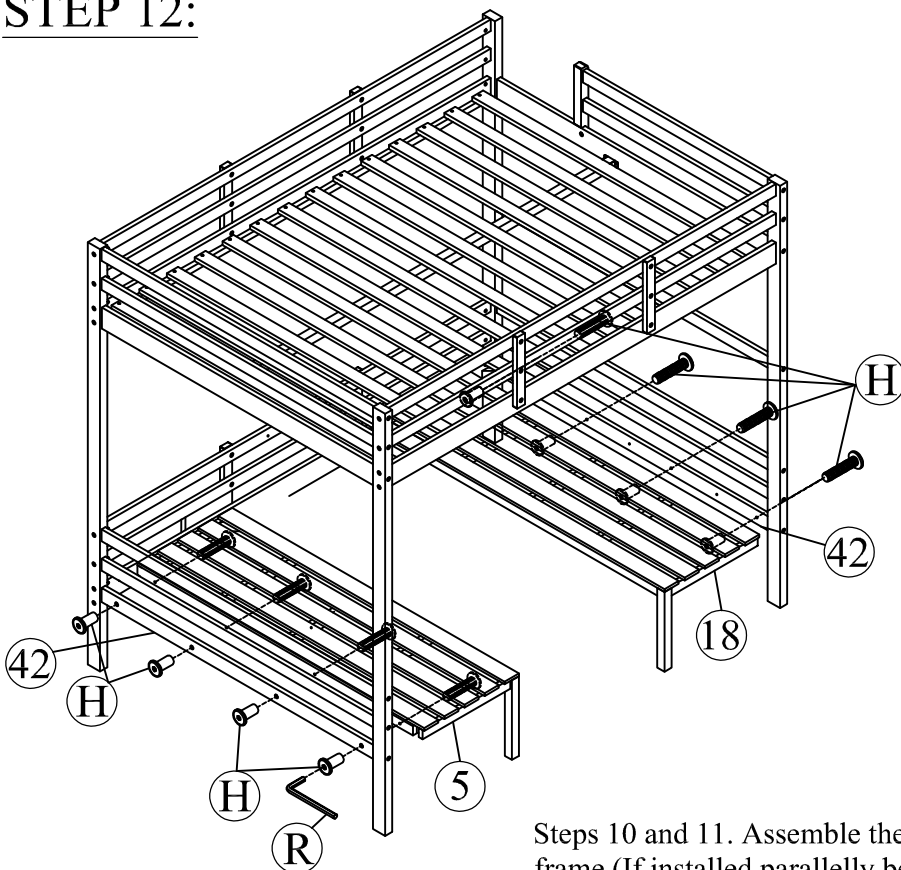
(S)		06
-----	---	----



Steps 10 and 11. Assemble the wooden seat to the front seat frame (If installed parallelly between the wooden dowel and the latch, this position will not be possible)

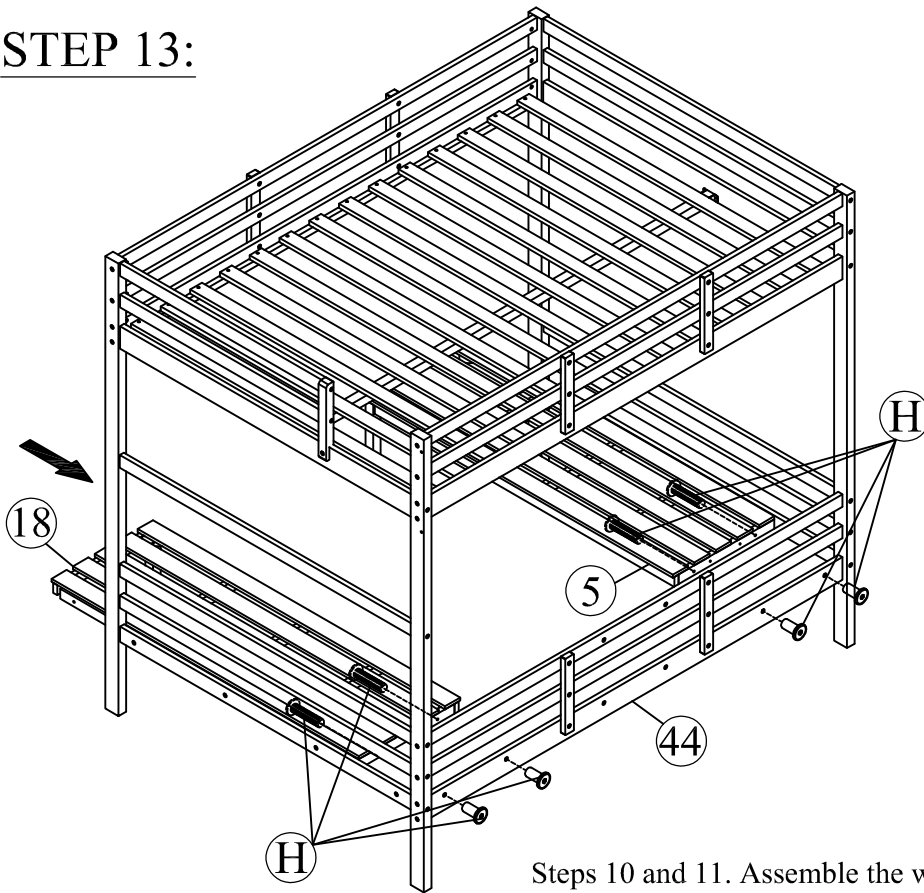
STEP 12:



(H)		08
(R)		01



Steps 10 and 11. Assemble the wooden seat to the front seat frame (If installed parallelly between the wooden dowel and the latch, this position will not be possible)

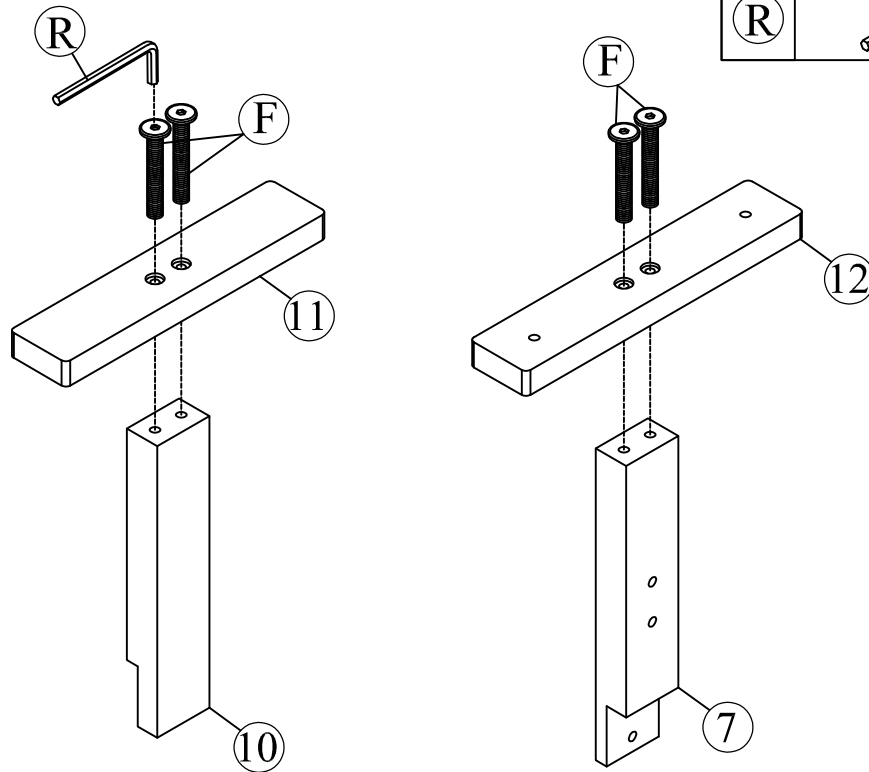
STEP 13:





(H)		04
(R)		01

Steps 10 and 11. Assemble the wooden seat to the front seat frame (If installed parallelly between the wooden dowel and the latch, this position will not be possible)

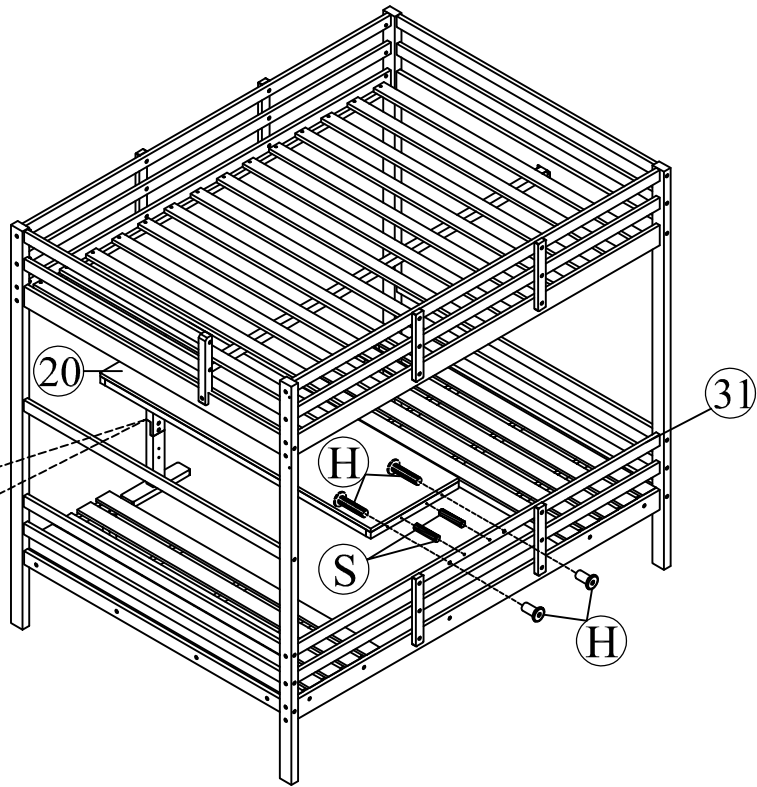
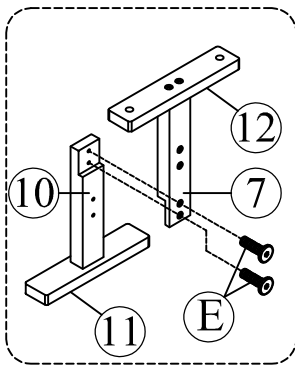
STEP 14:



(F)		04
(R)		01

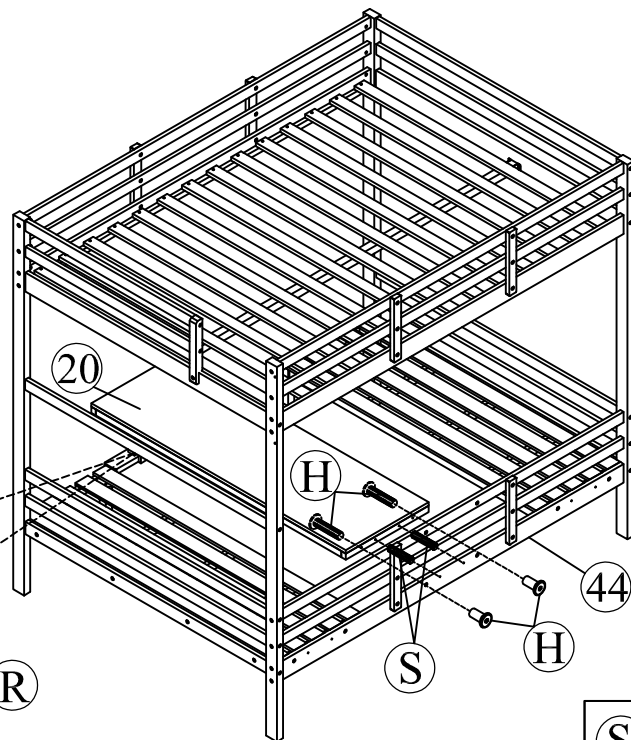
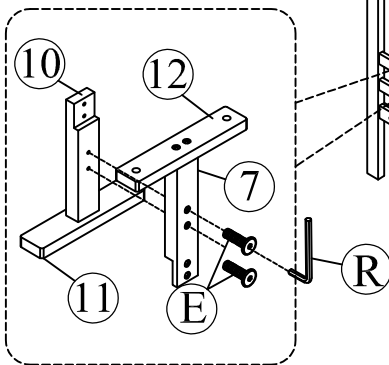
STEP 15:

OPTION 1:



Lift part number 7 upwards to form a table assembly (replace bolt connection hole)

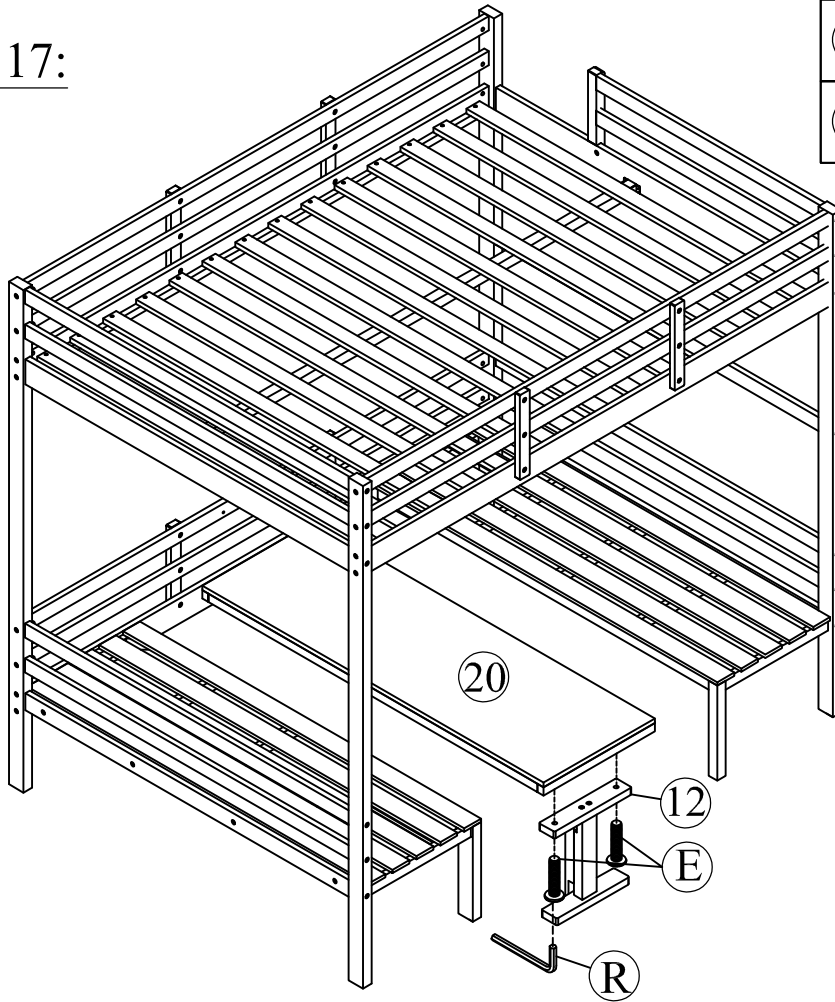
OPTION 6:





Lower detail number 7 to form a bed cluster. Use full standard mattress (replace connection hole with bolt).



(S)		02
(E)		02
(H)		02
(R)		01

STEP 17:

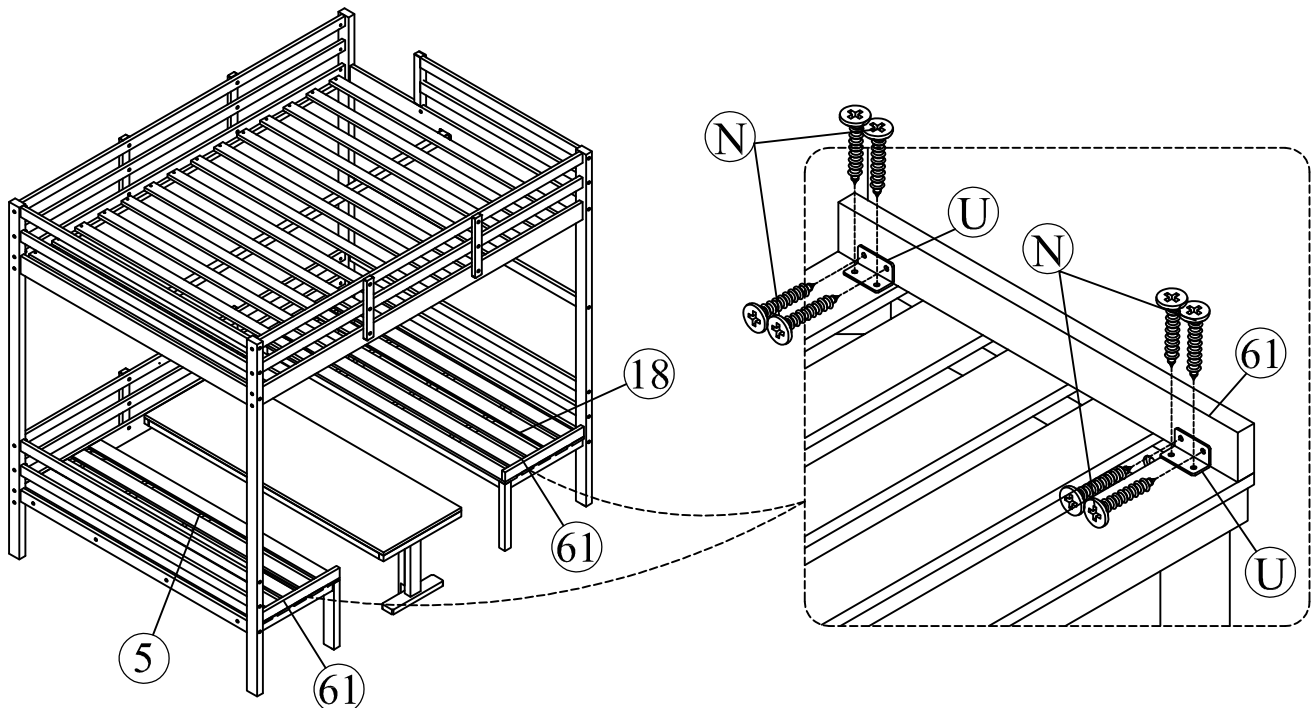


(E)		02
(R)		01

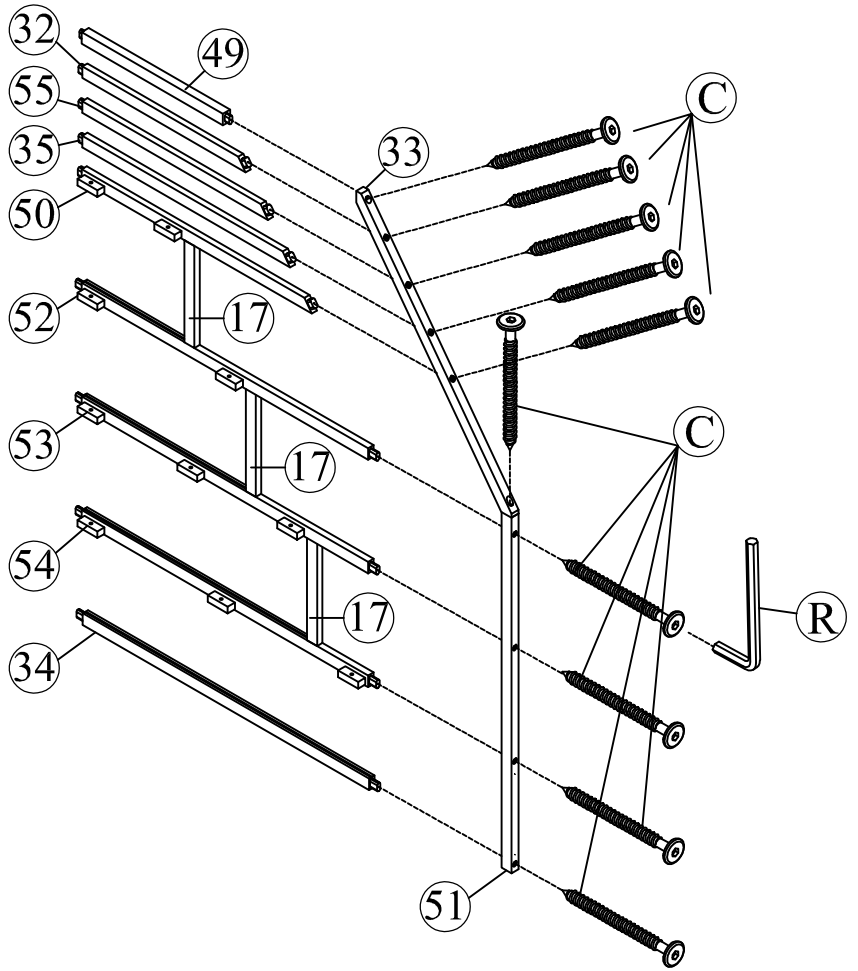
STEP 18:



(N)		16
(U)		04

Option 2: After lowering the bench, install a block of wood (61) to keep the mattress firmer. And fixed with a piece of metal base (U).

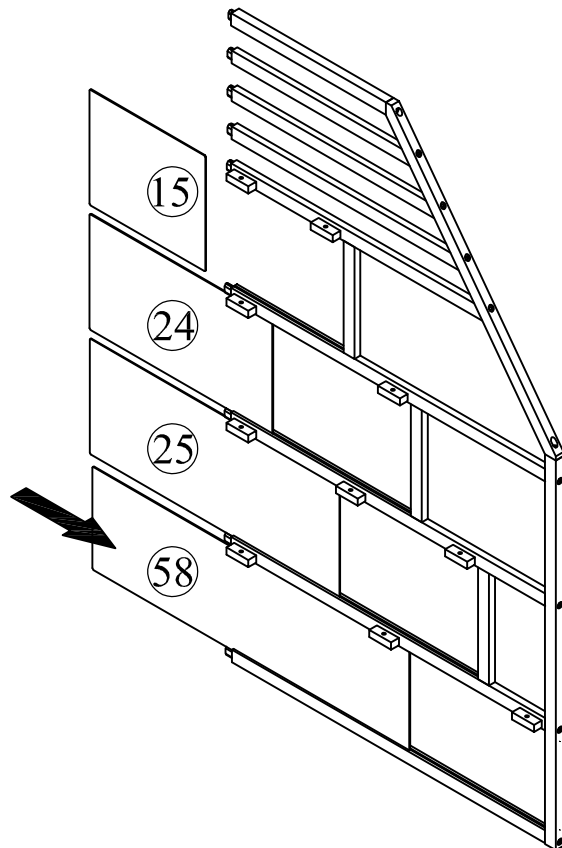


STEP 19:

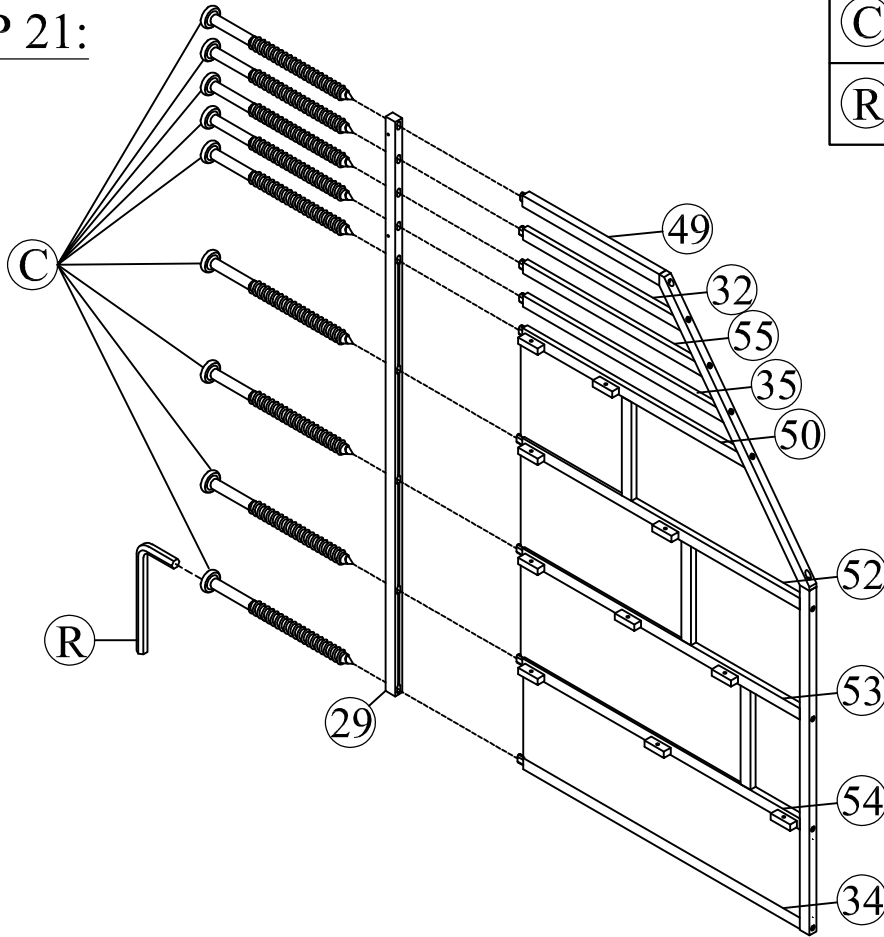




C		10
R		01

STEP 20:

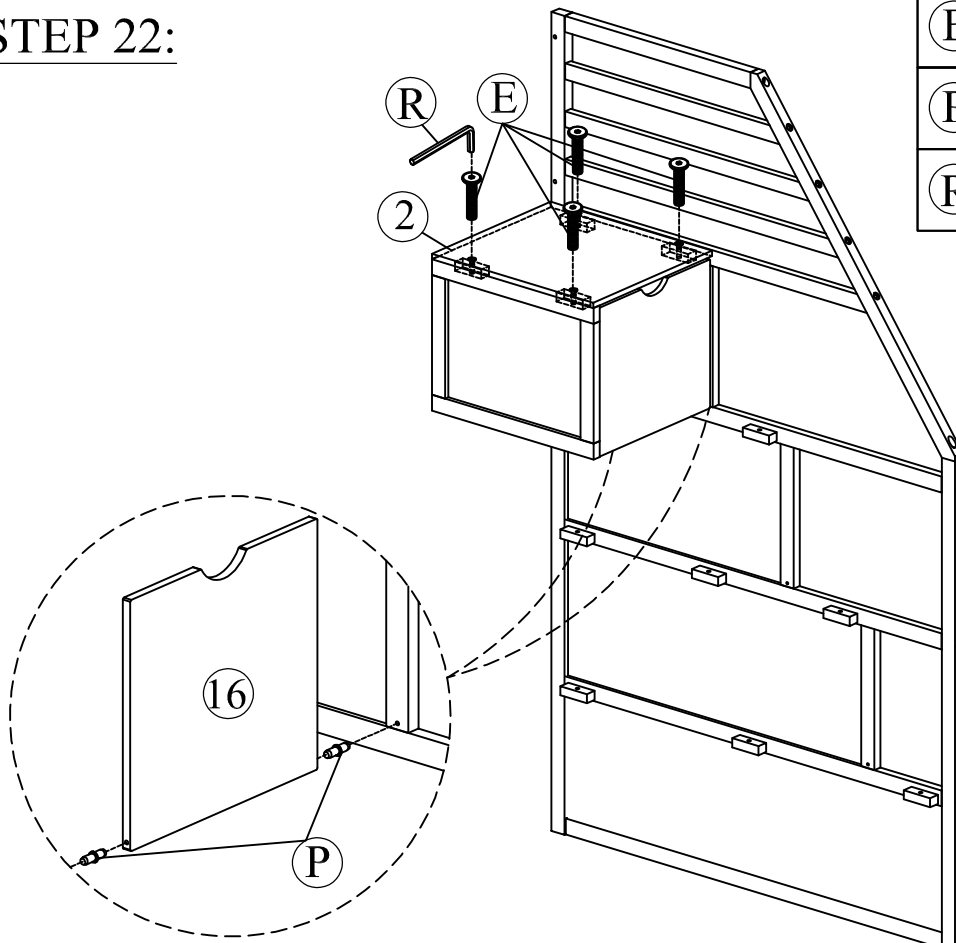





STEP 21:



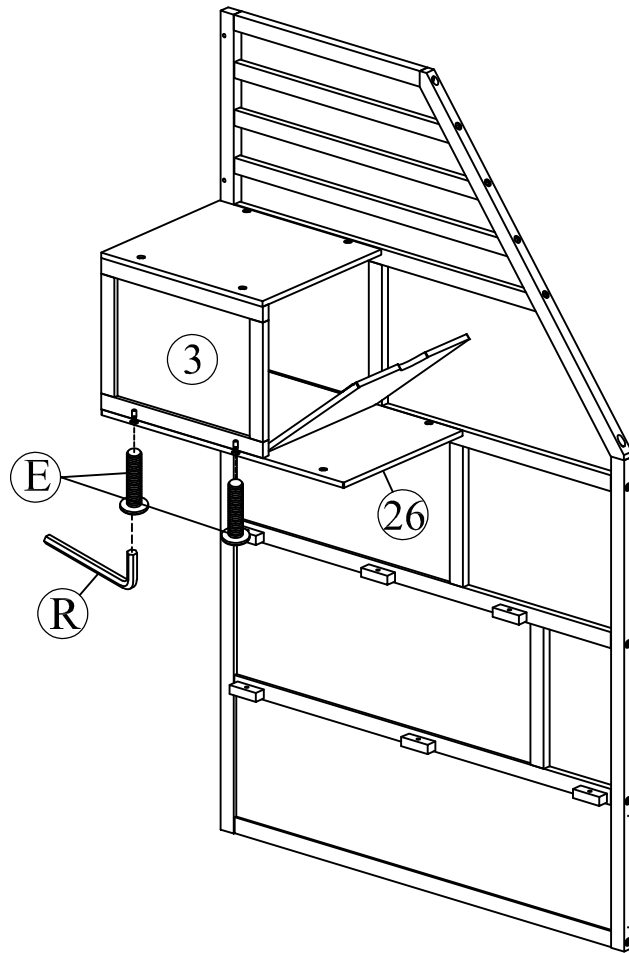
(C)		09
(R)		01



STEP 22:



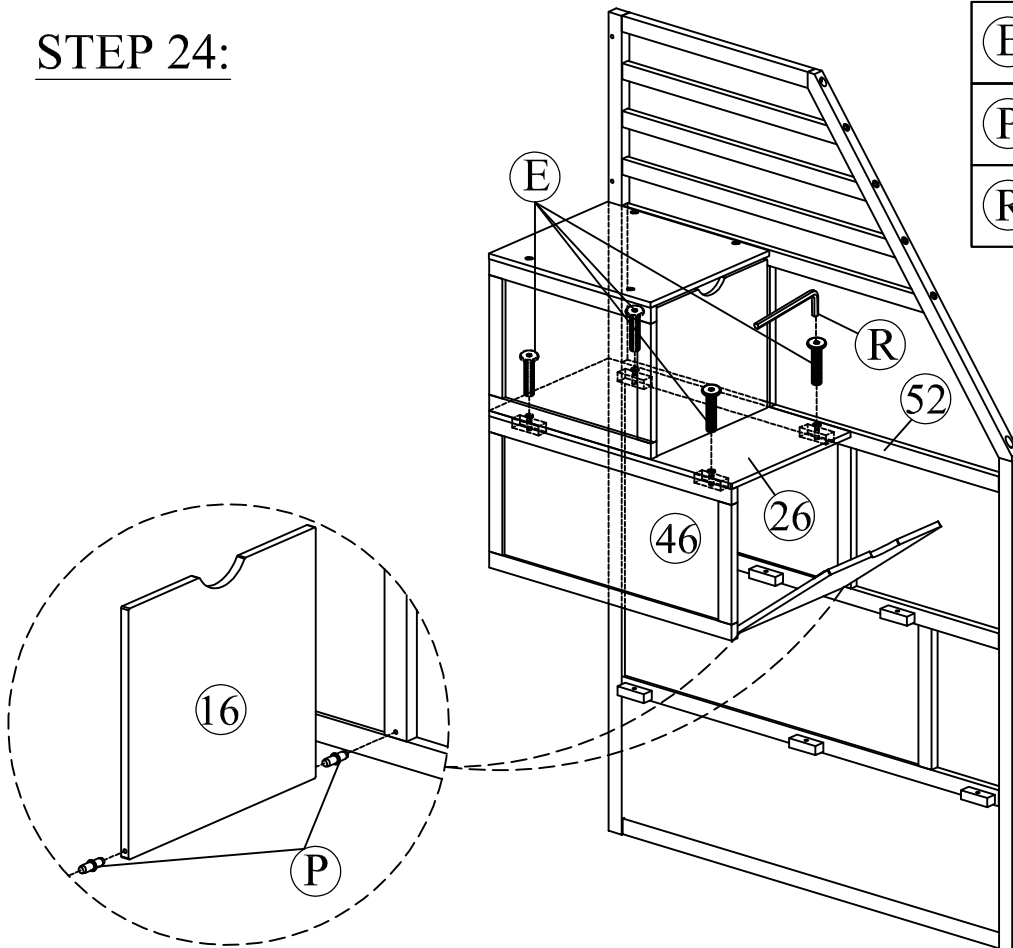
(E)		04
(P)		02
(R)		01




STEP 23:



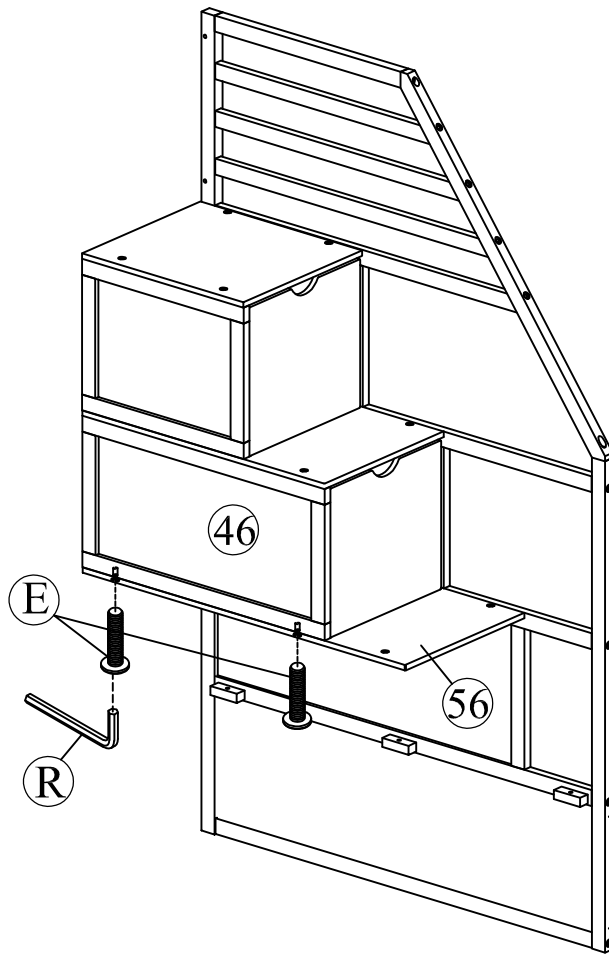
(E)		02
(R)		01



STEP 24:



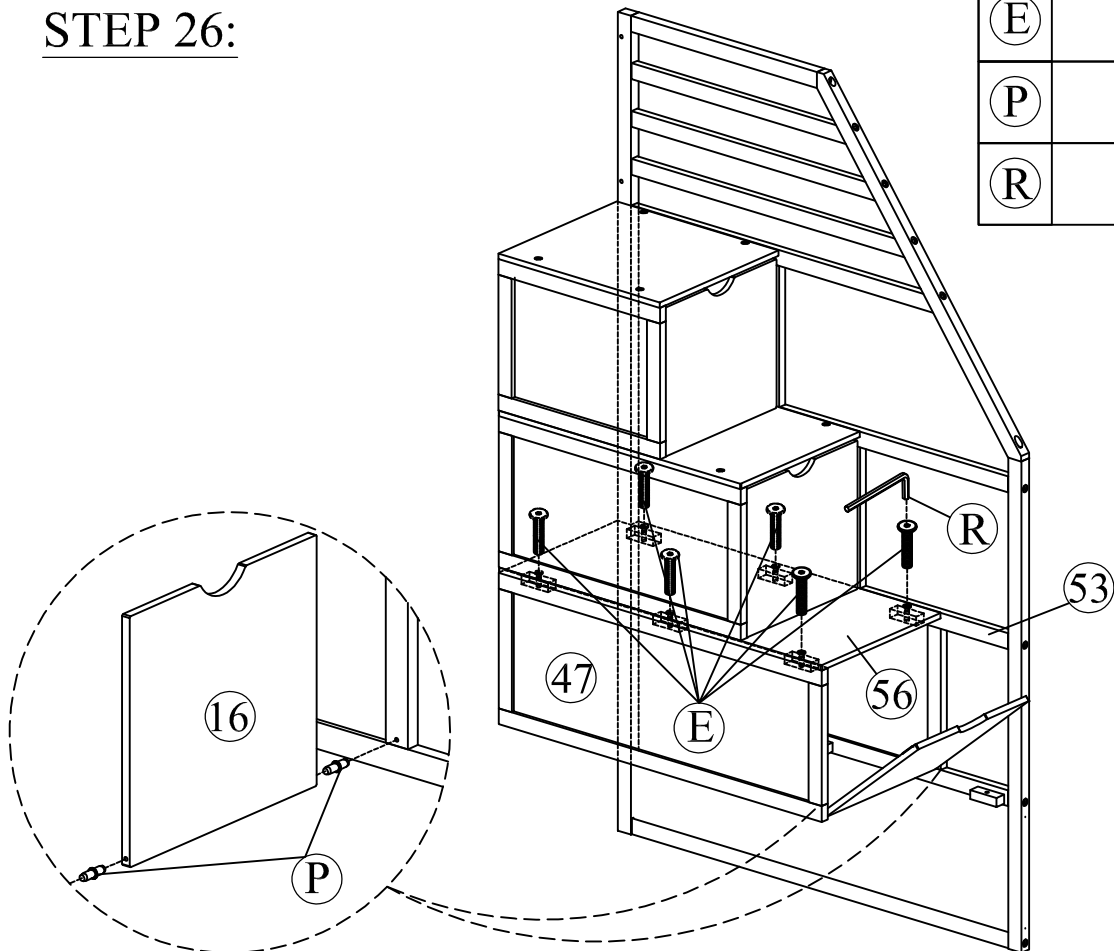
(E)		04
(P)		02
(R)		01




STEP 25:



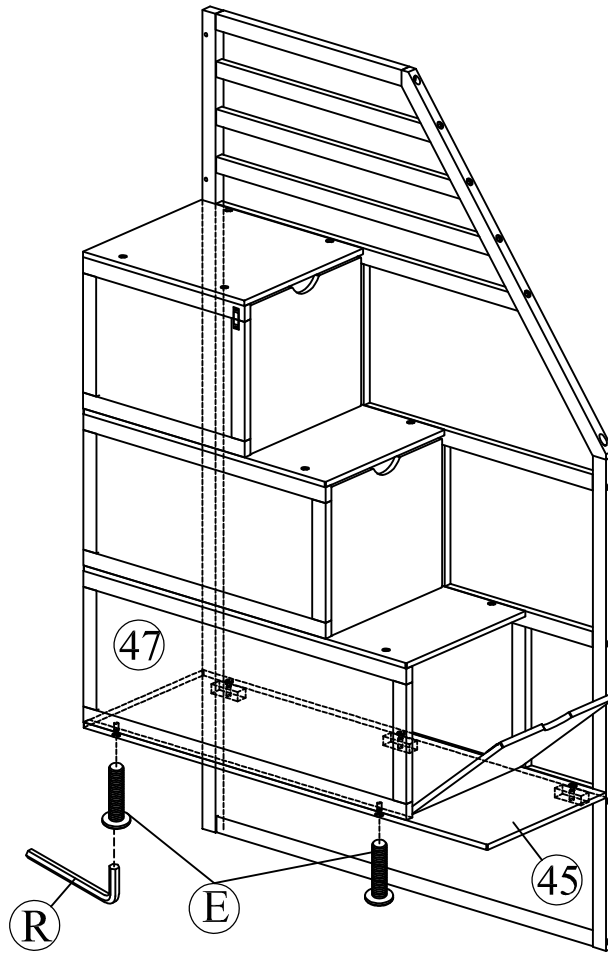
(E)		02
(R)		01



STEP 26:



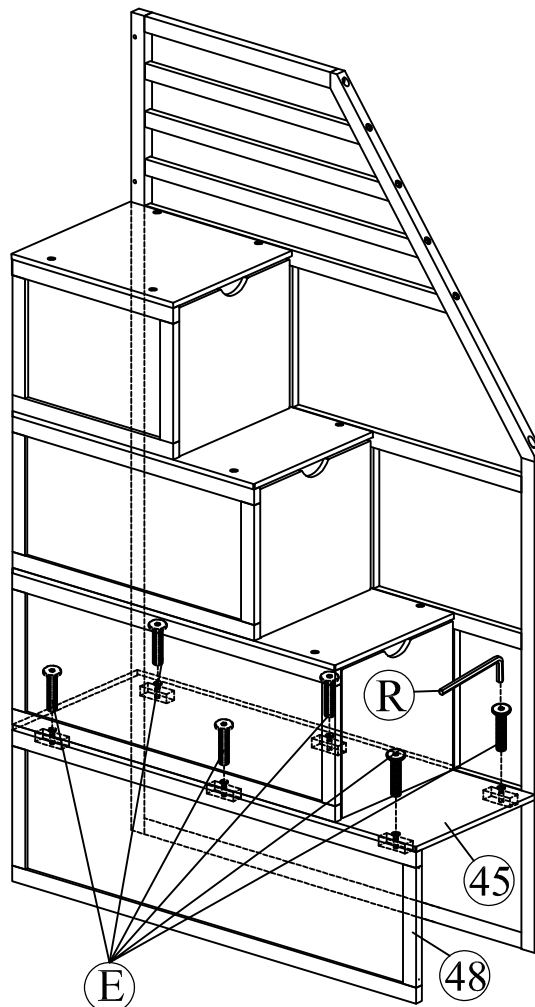
(E)		06
(P)		02
(R)		01



STEP 27:




(E)		02
(R)		01

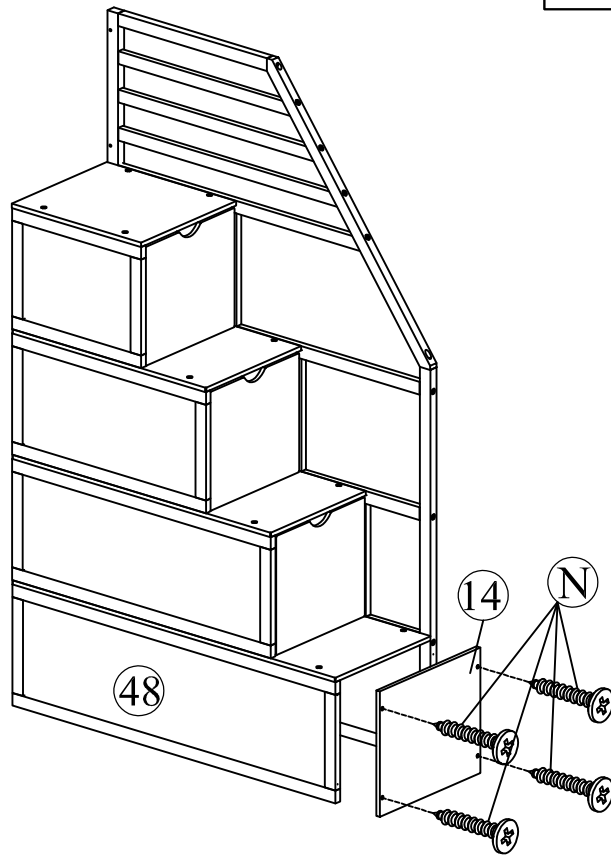
STEP 28:





(E)		06
(R)		01

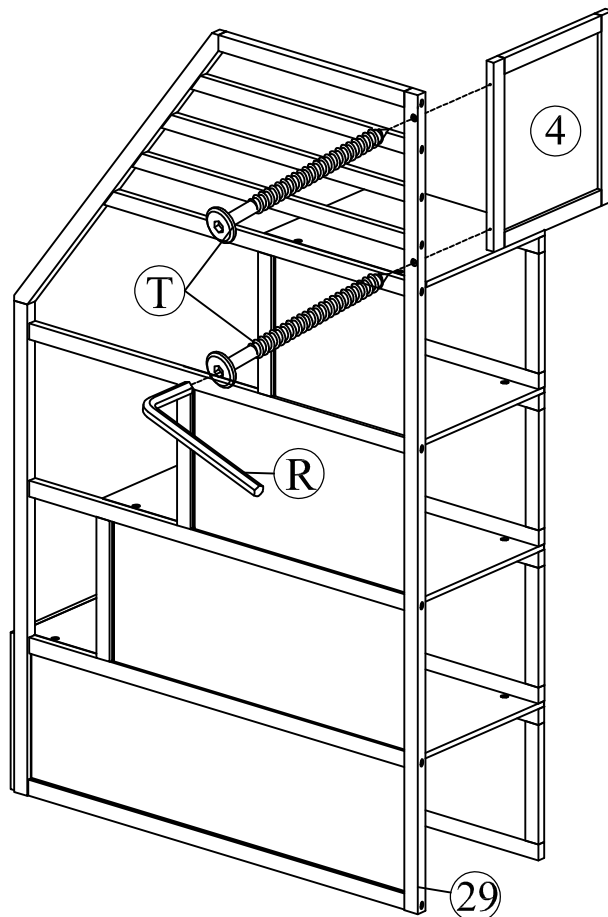
STEP 29:

(N)		04
-----	---	----





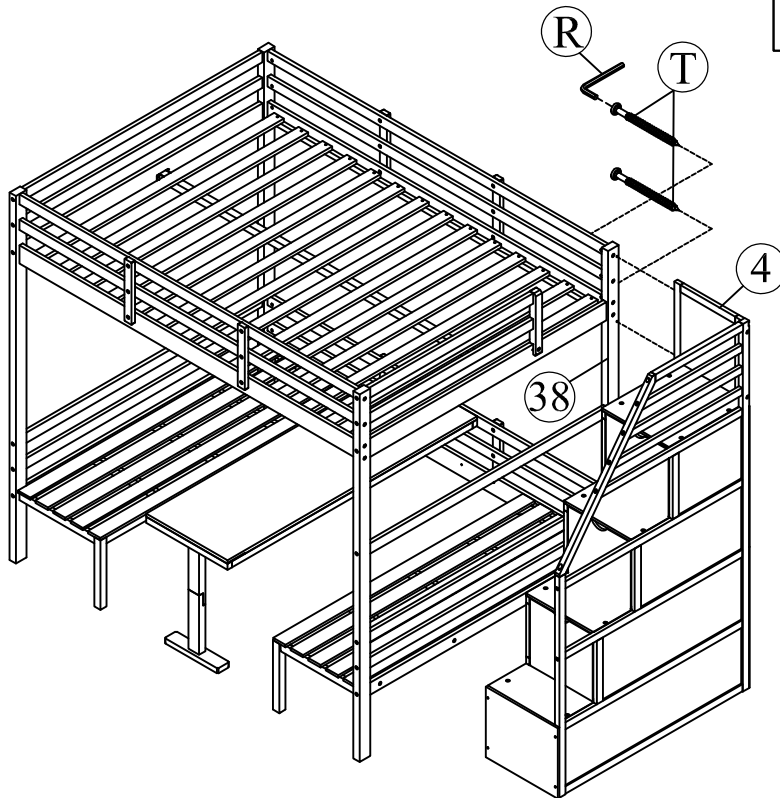
STEP 30:

(T)		02
(R)		01





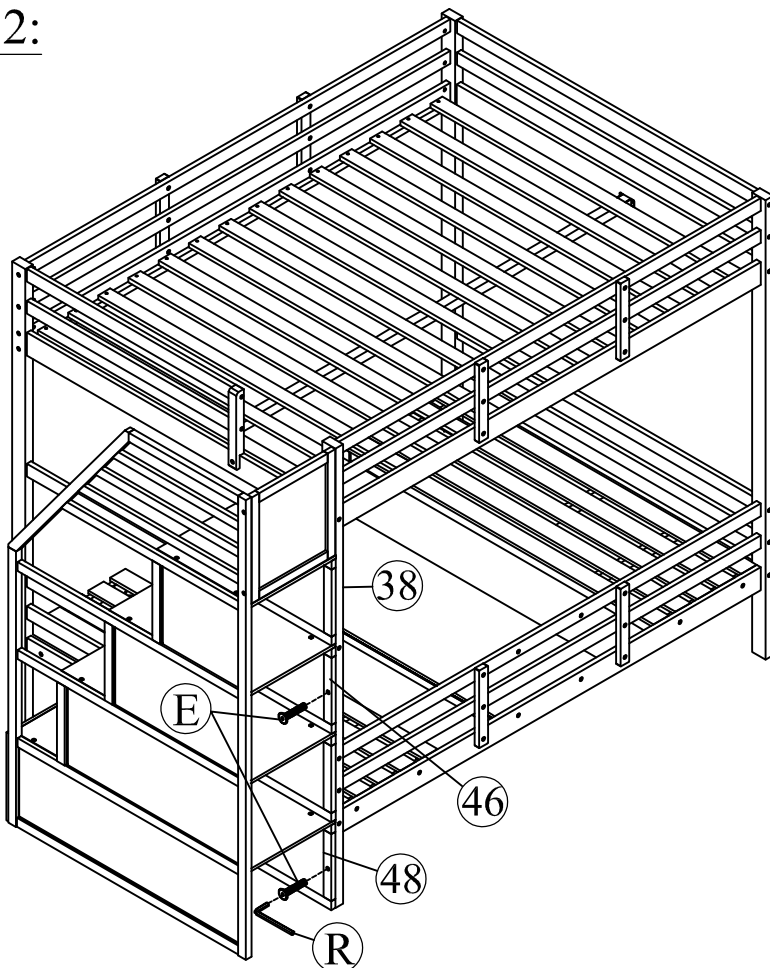
STEP 31:

(T)		02
(R)		01




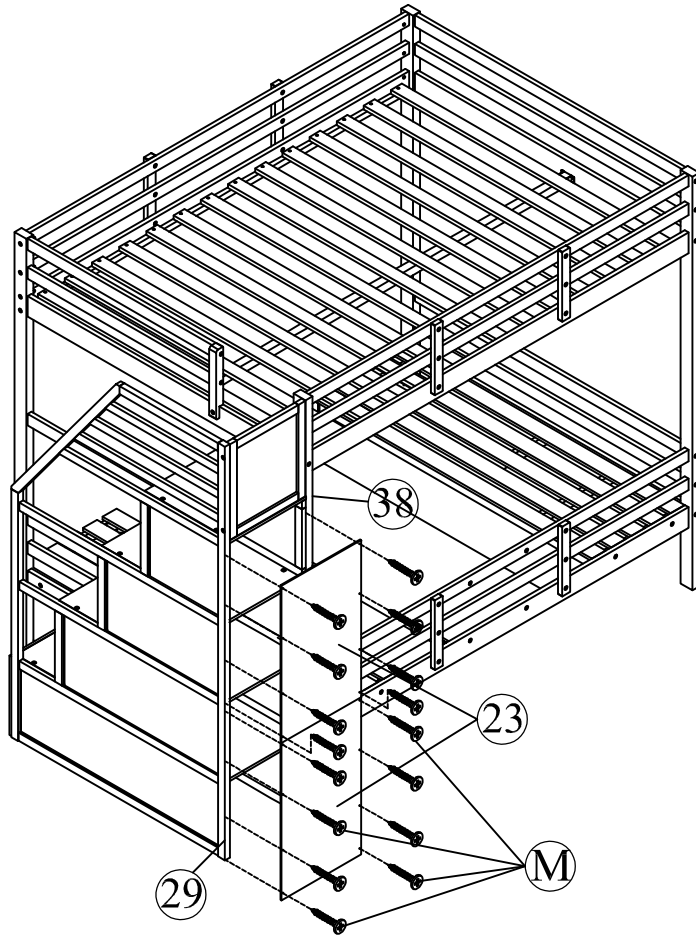
STEP 32:

(E)		02
(R)		01

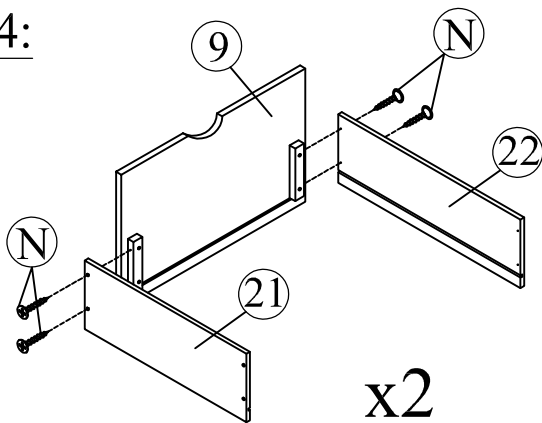


STEP 33:

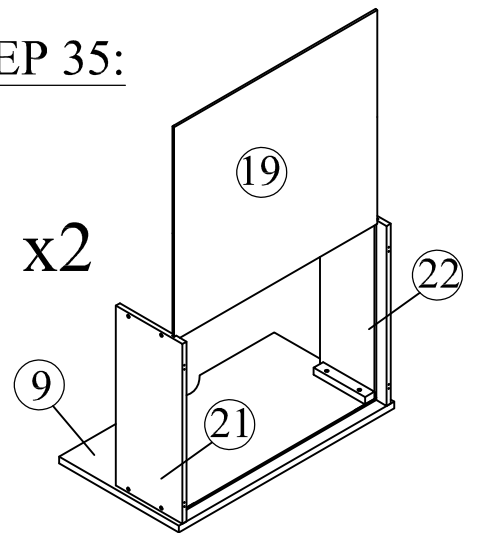
(M)		16
-----	---	----



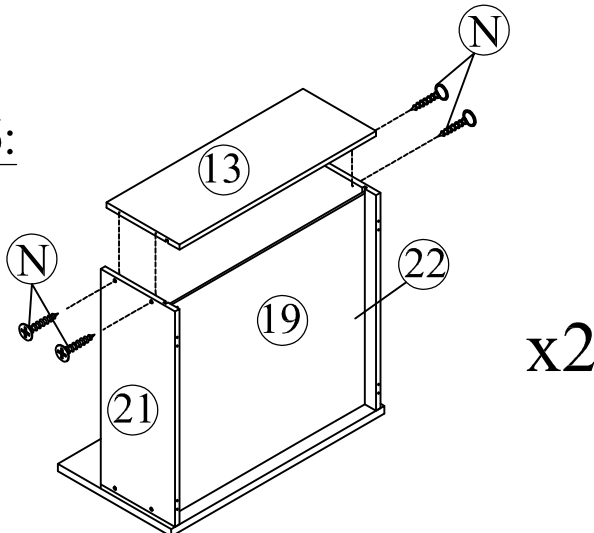
STEP 34:

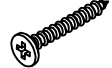


STEP 35:

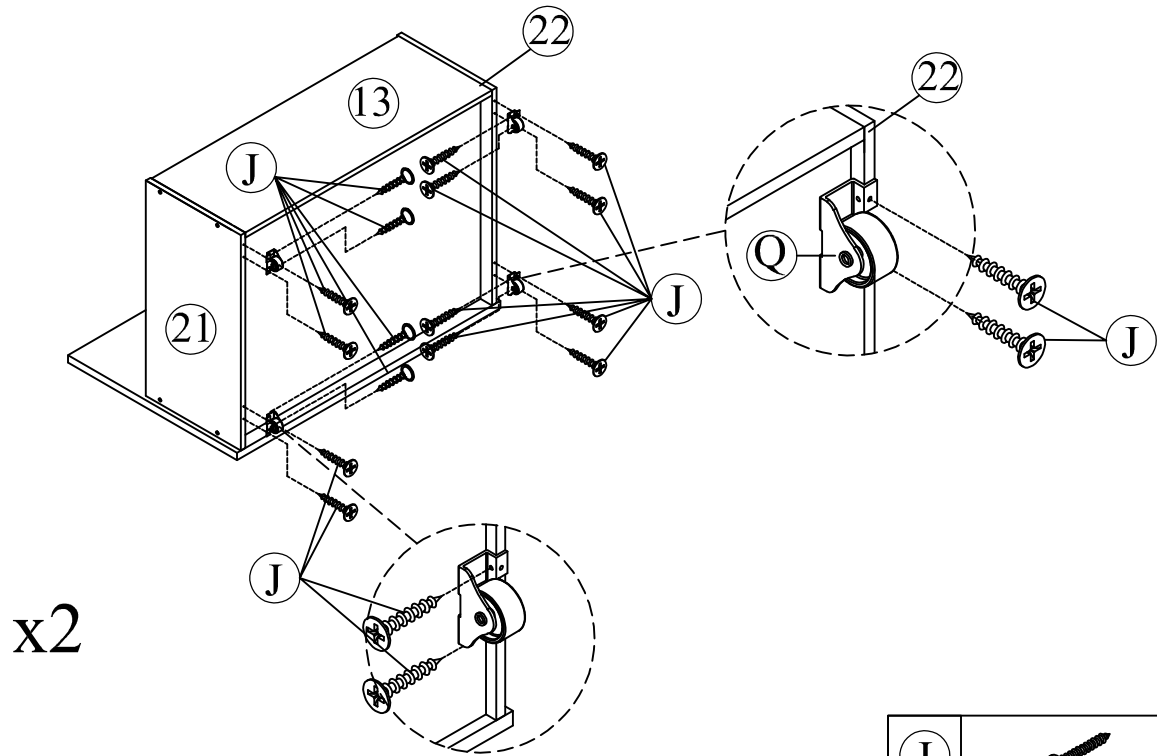


STEP 36:





(N)		16
-----	---	----

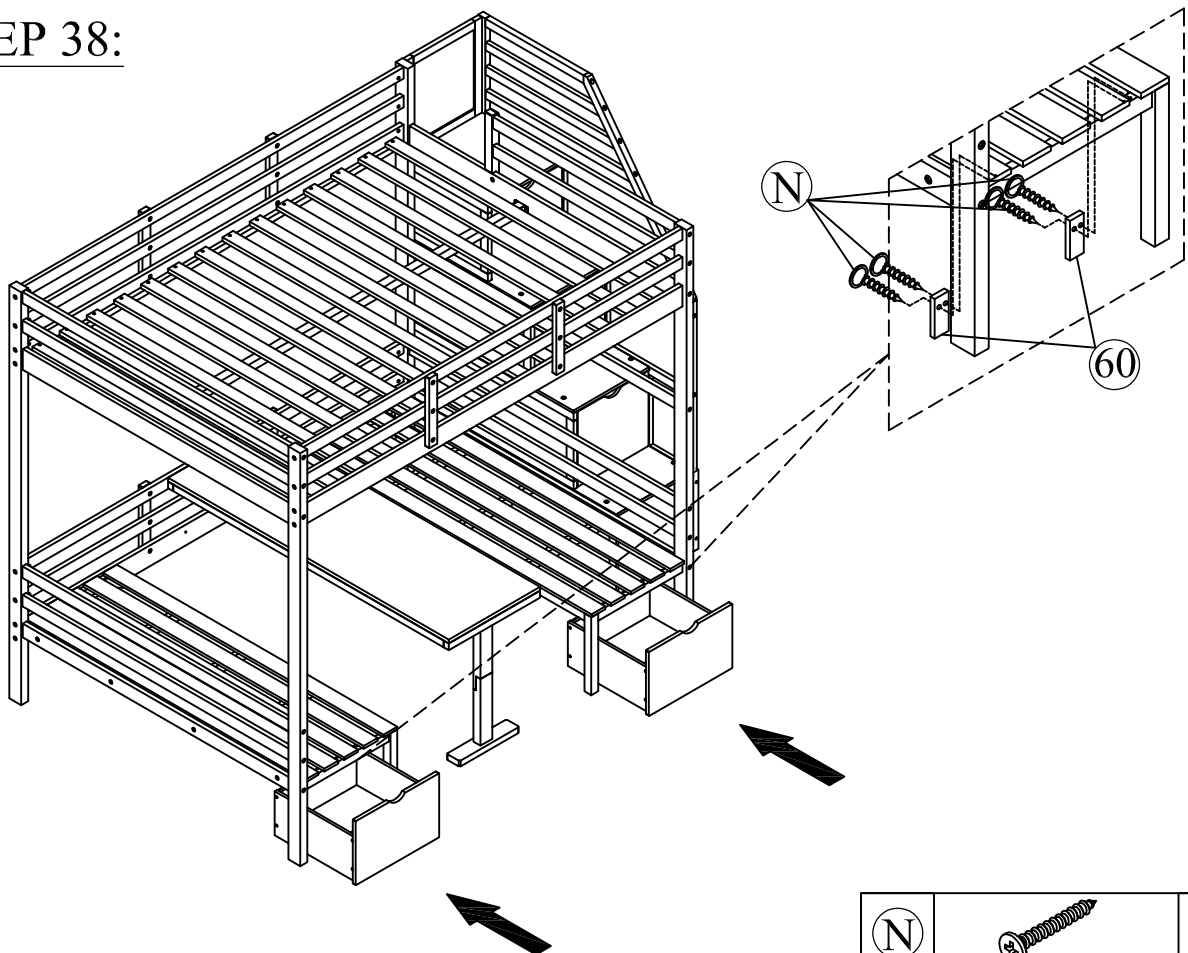
STEP 37:




x2

(J)		32
(Q)		08

STEP 38:

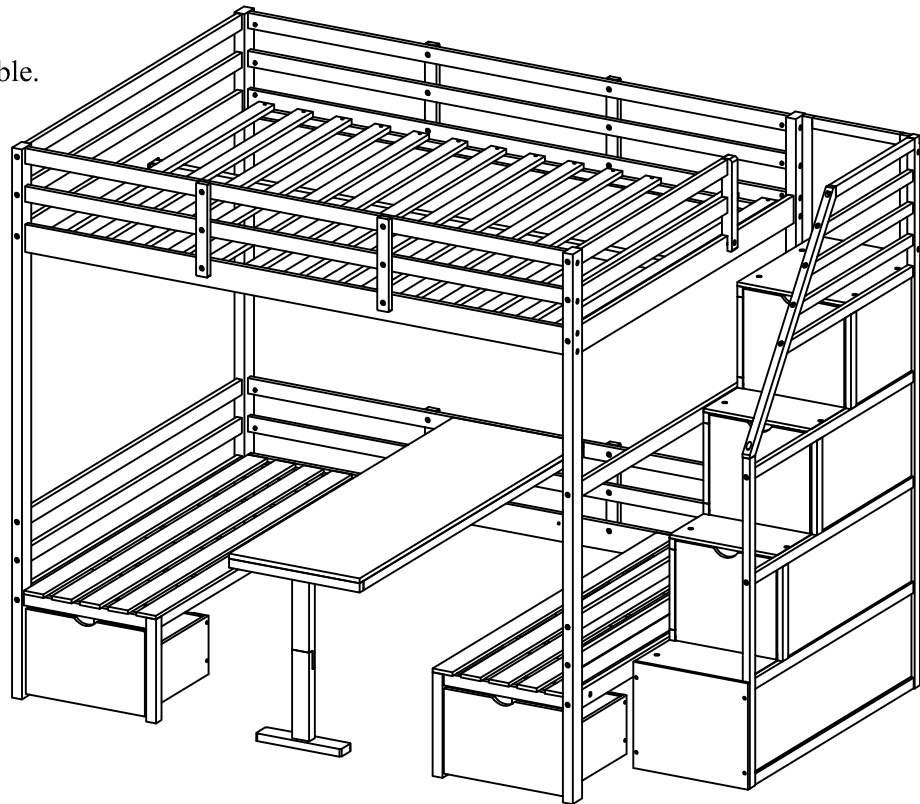


(N)		08
-----	---	----

FINAL:

OPTION 1

Rise to be the top of the table.



OPTION 2

Lower to the bed.
Use mattress(es) Full standard thickness 8".

