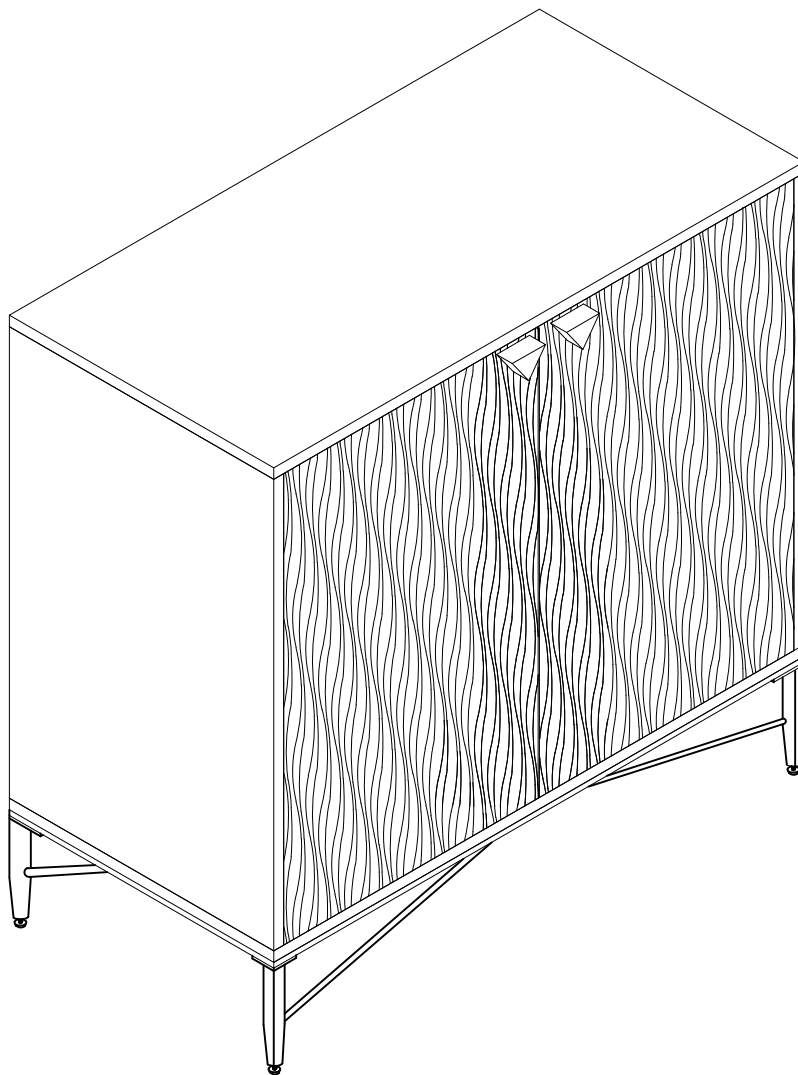


ASSEMBLY INSTRUCTIONS

1. Before installation, please read the Assembly Instruction carefully.
2. Please check whether the Parts and Hardware are consistent with the list.
3. It is normal for the sealed environment to smell, not a product quality problem.



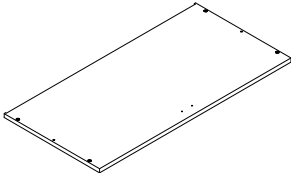
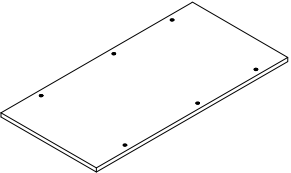

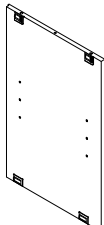
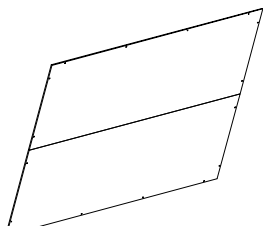
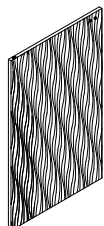
Phone number:303-747-4421

service@clihome.net

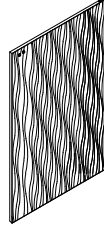
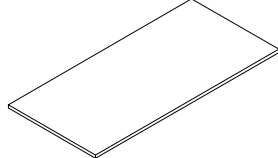
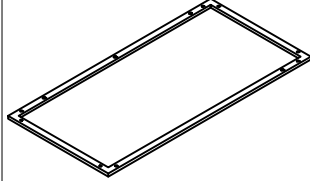

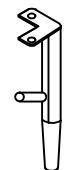
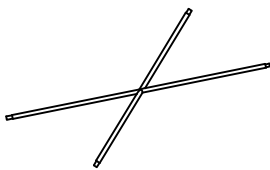
Web:www.clihome.net

ASSEMBLY INSTRUCTIONS

Part List:









ITEM	DESCRIPTION	PART	QTY
1	Top panel		1
2	Bottom panel		1
3	Left side panel		1
4	Right side panel		1
5	Back panel		1
6	Left door		1

Part List:









ITEM	DESCRIPTION	PART	QTY
7	Right door		1
8	Adjustable shelf		1
9	Bottom frame		1
10	Left front leg/Right back leg		2
11	Right front leg/left back leg		2
12	"X" crossbar		1

ASSEMBLY INSTRUCTION

Hardware List:

ITEM	DESCRIPTION	PART	QTY
A	Door axles		4
B	Latch		8
C	Wooden dowel	 $\Phi 6 * 30 \text{mm}$	4
D	Bolt	 $\Phi 1/4" * 2/5"$	8
E	Allen wrench		1
F	Handle		2
G	Machine screw	 $\Phi 5/32" * 1 \ 1/8"$	4
H	Bolt	 $\Phi 1/4" * 4/5"$	6

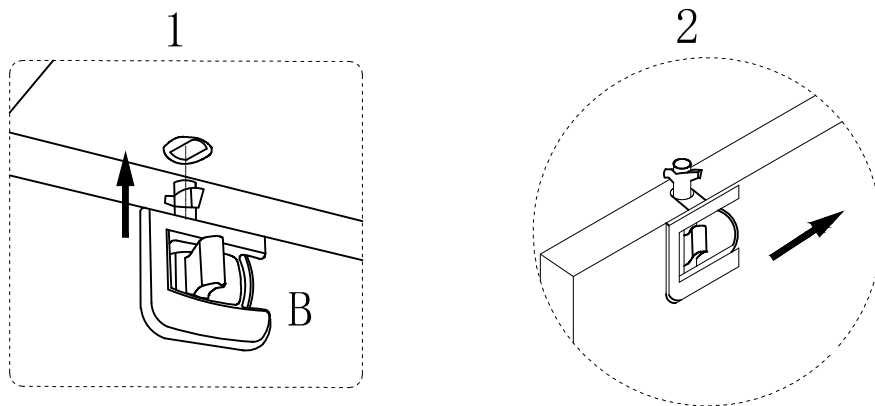
Hardware List:

ITEM	DESCRIPTION	PART	QTY
J	Back screw	 $\Phi 3 * 12 \text{mm}$	16
K	Shelf support		4
L	Safety wall strap		1
M	Plastic anchor		1
N	Mounting screw	 $\Phi 4 * 38 \text{mm}$	1
O	Washer		1
P	Round head screw	 $\Phi 3 * 12 \text{mm}$	2
Q	Magnets		1

ASSEMBLY INSTRUCTION

- * Required screwdriver & mallet, not included.
- * Before discarding packing materials, please check to make sure that all parts and hardware is present.
- * Two people needed for assembly.
- * Please follow the instructions closely; do not over tighten screws or bolts unless instructed.
- * After a few days from initial assembly, the product may have acclimated to the new environment. Please retighten the hardware.

Fastener installation procedure guide (1 and 2)





Align the cross shape of fastener "B" on the vertical plate with the hole position on the top plate and bottom plate,

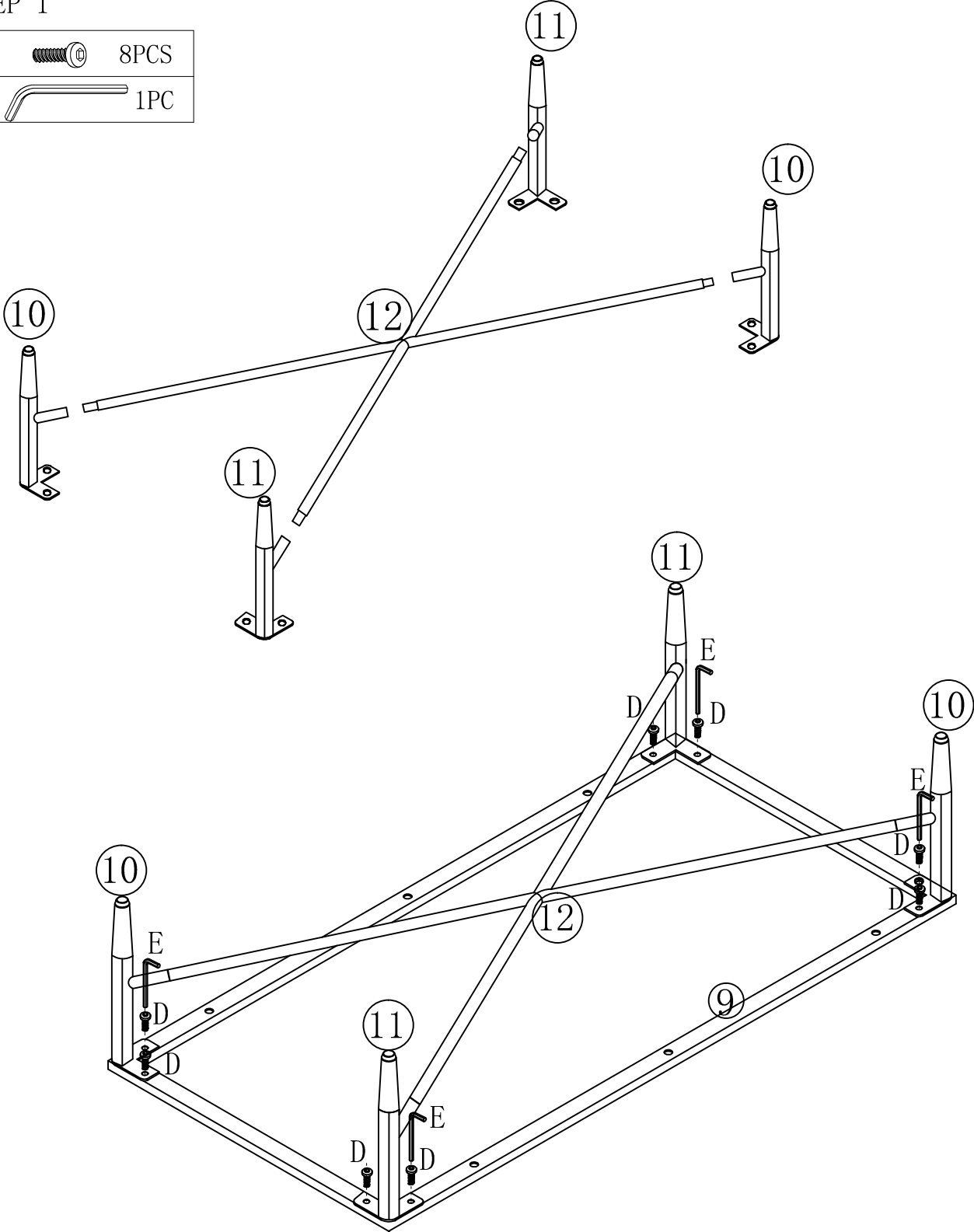
Press and hold the fastener door latch firmly towards the notch direction,

If the fastener is hard to press, it may be easier to use a wooden stopper.

ASSEMBLY INSTRUCTION

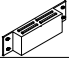



STEP 1

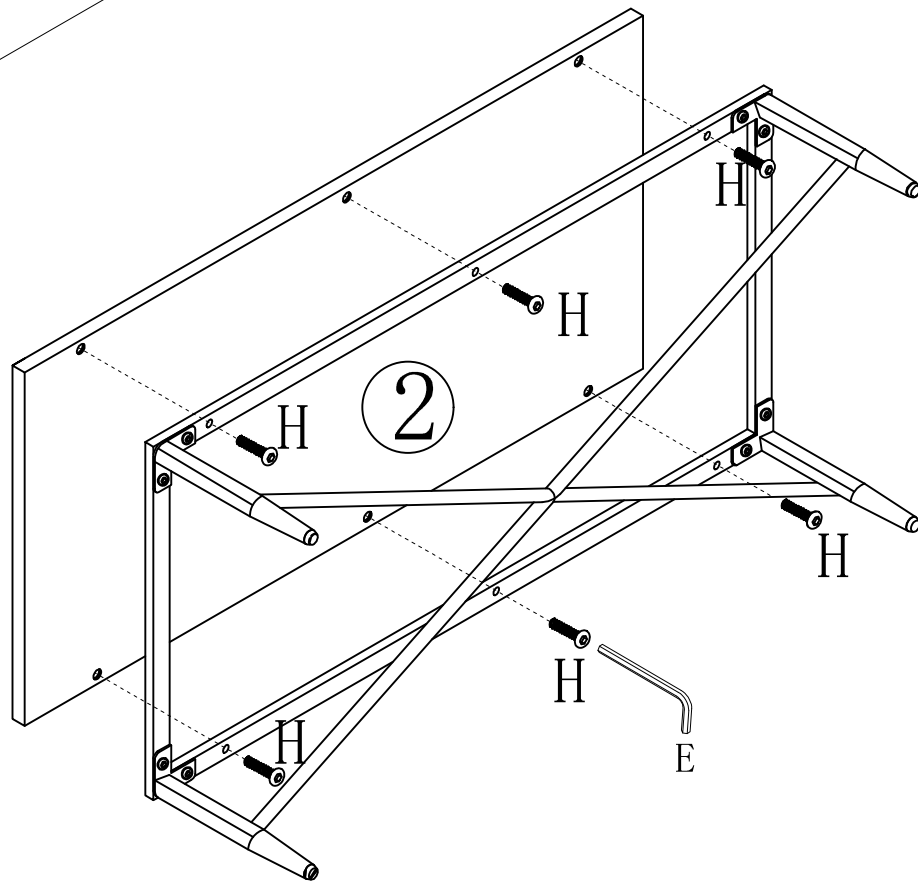
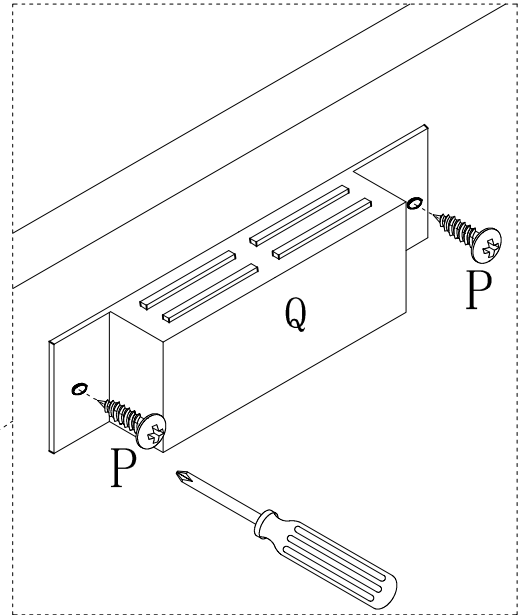
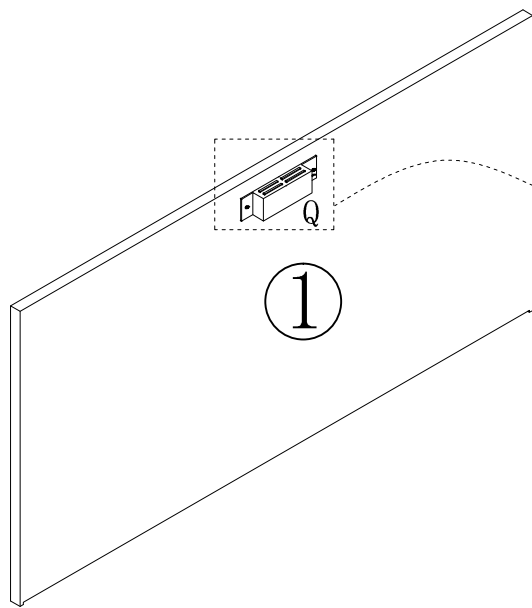
- D:  8PCS
- E:  1PC



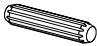
ASSEMBLY INSTRUCTION

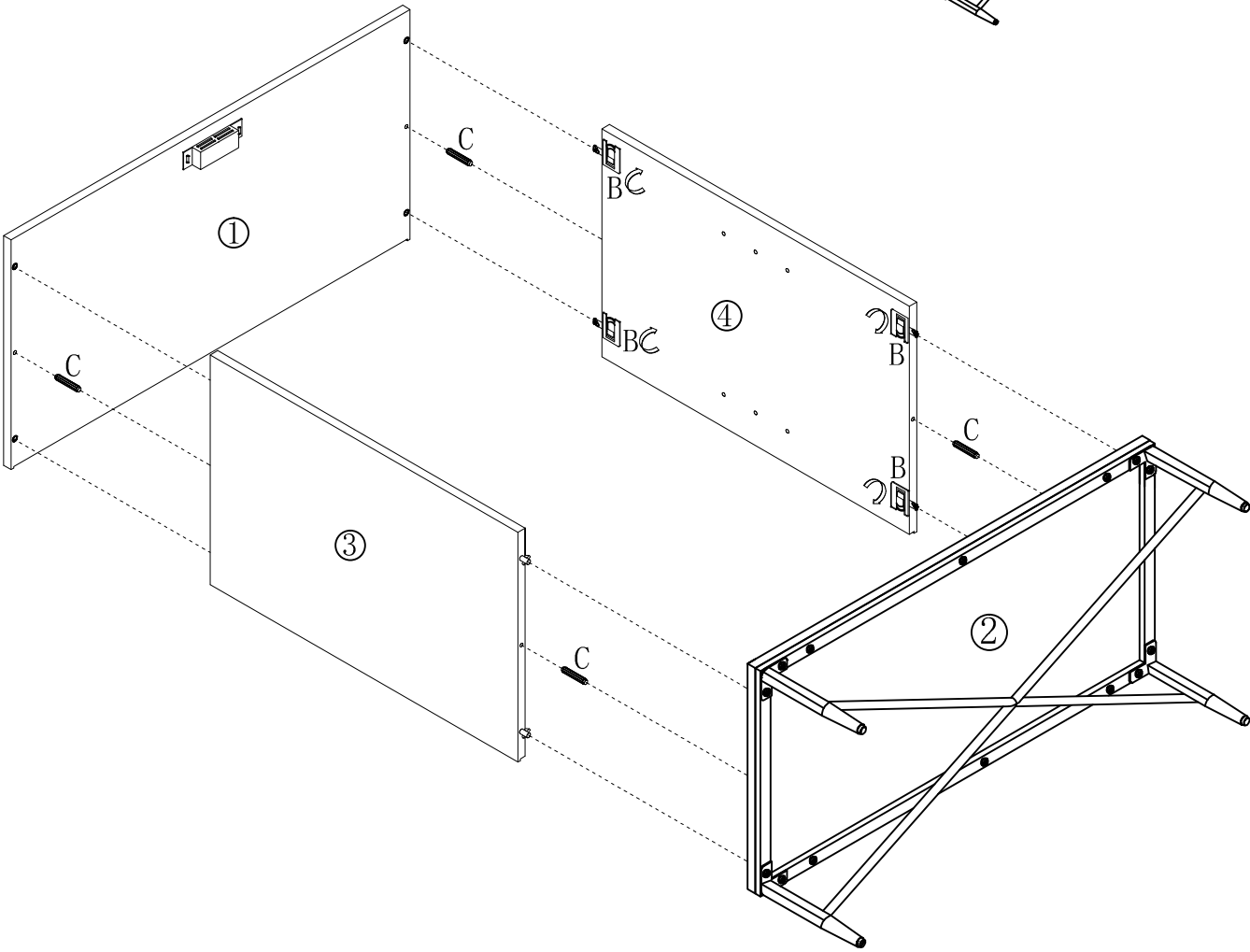
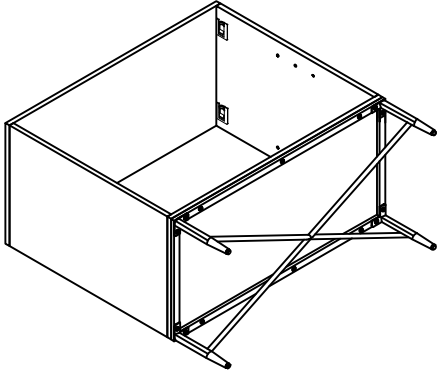
STEP 2

Q:		1PCS
P:		2PC
H:		6PC
E:		1PC





STEP 3

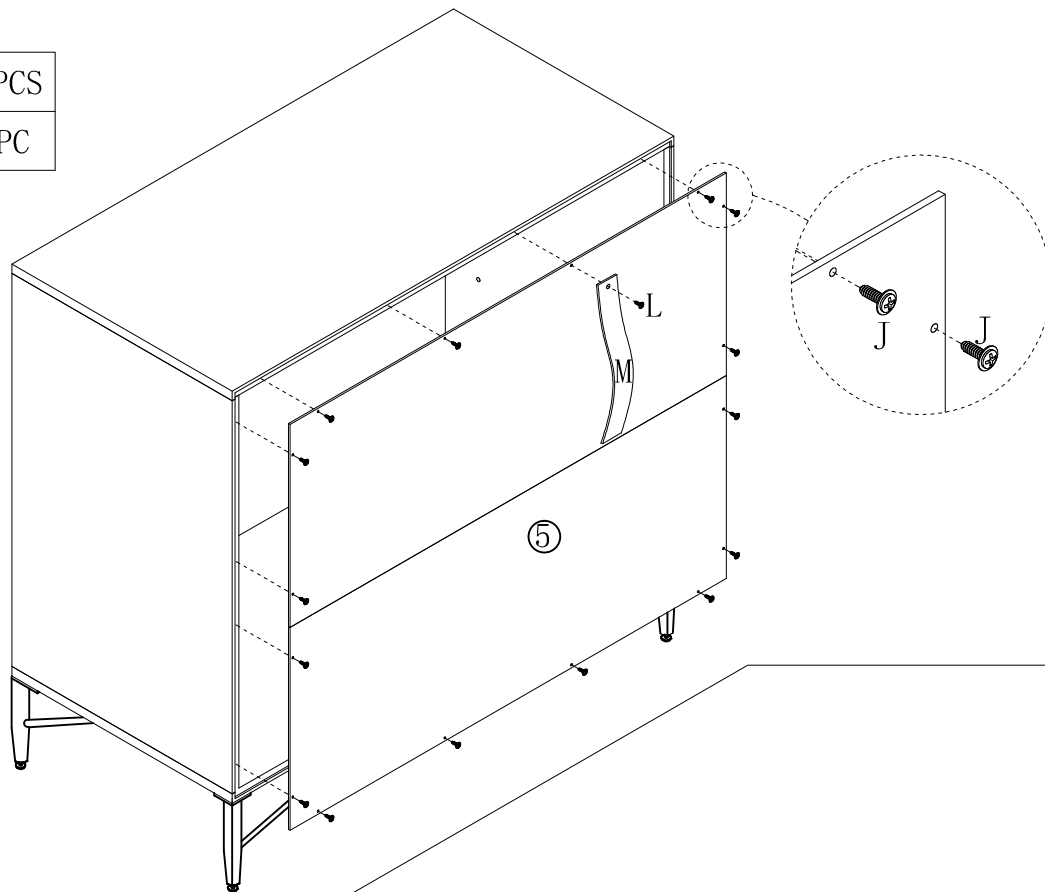
C:  4PCS






ASSEMBLY INSTRUCTION

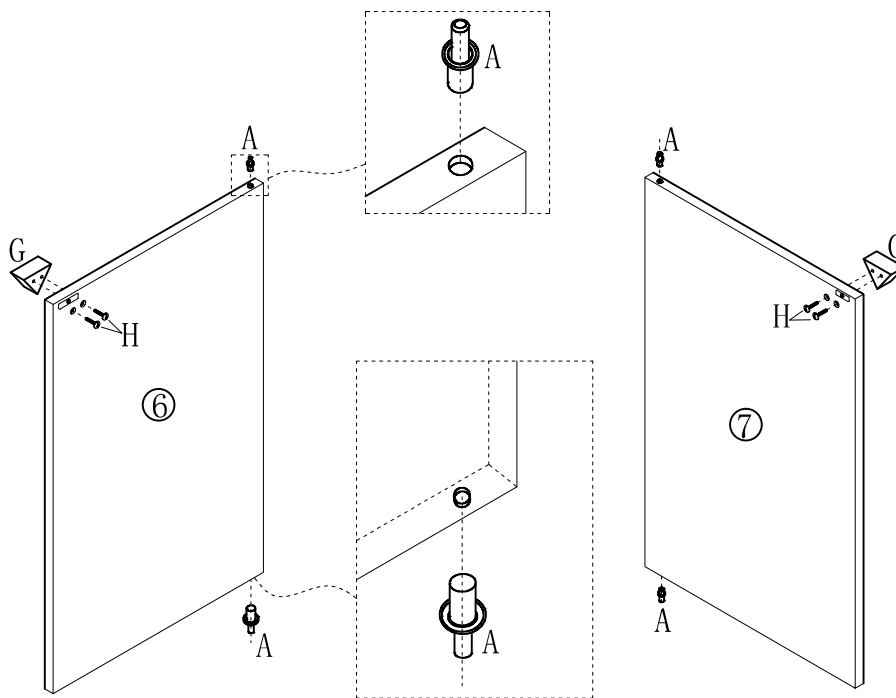
STEP 4

J:		16PCS
L:		1PC



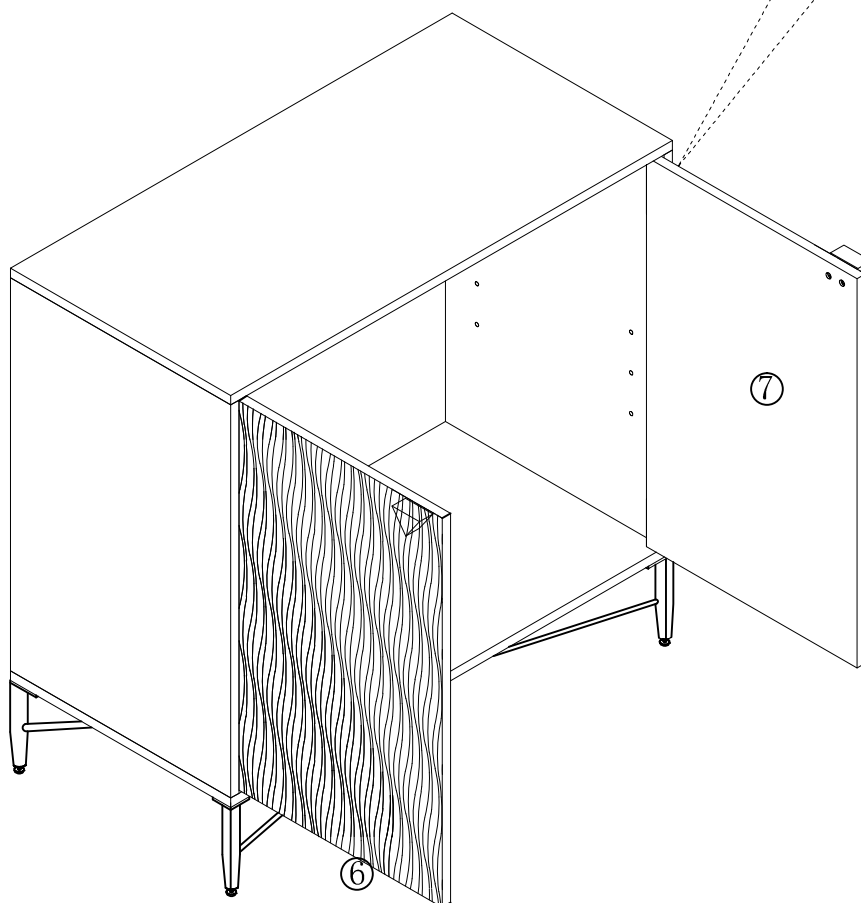
STEP 4

G:		2PCS
H:		4PCS
A:		4PCS



STEP 5

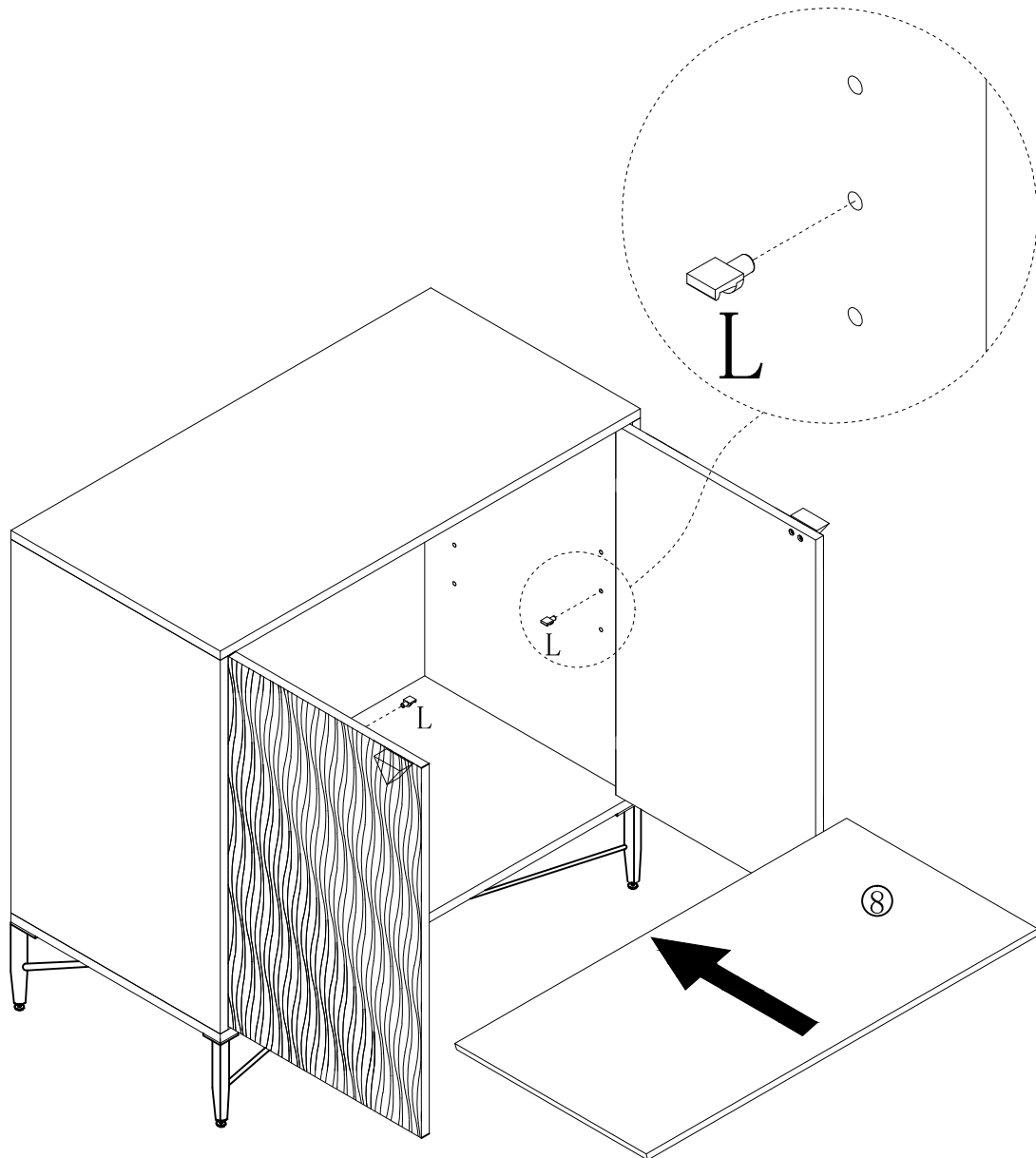
To install the door panel, first insert the lower positioning shaft, then press the center of the upper positioning shaft, and then clip it into the cabinet top shaft hole






ASSEMBLY INSTRUCTION

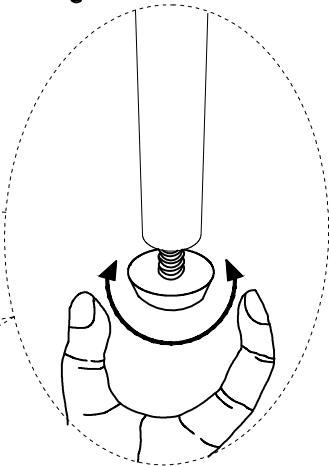
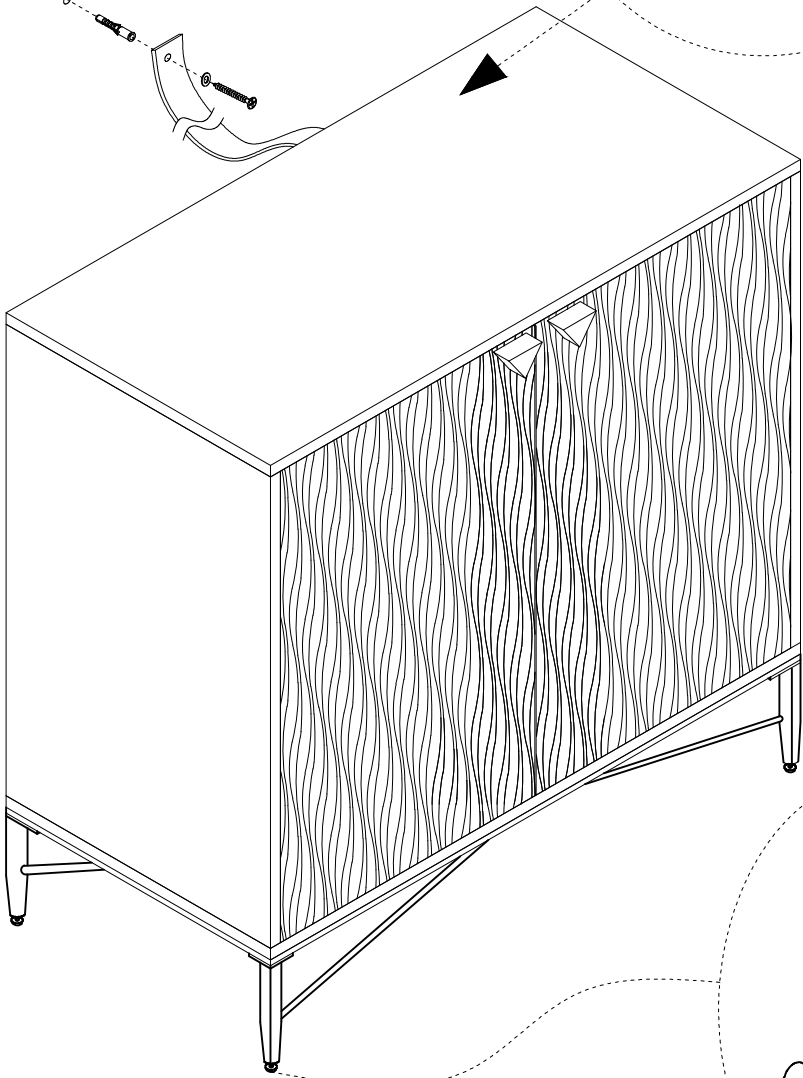
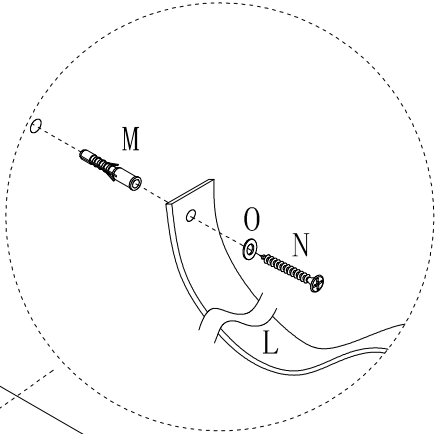
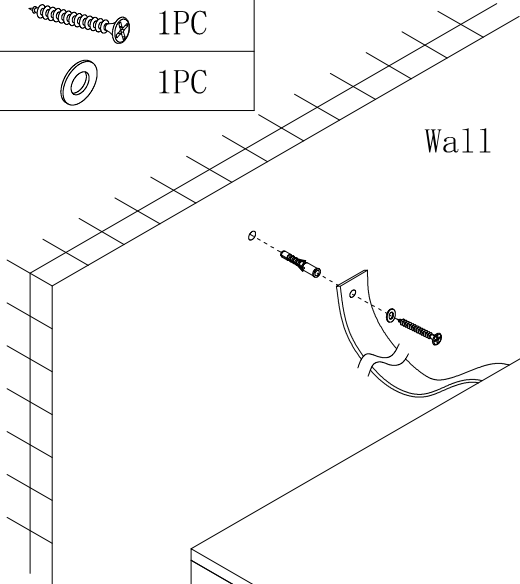
STEP 6

L:  4PCS



STEP 7

M:		1PC
N:		1PC
O:		1PC



After installation, adjust the adjustable foot to keep the cabinet balanced and align the door.