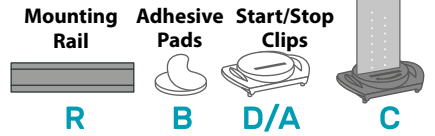
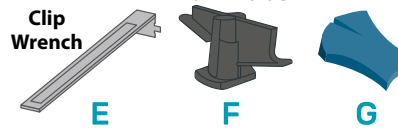


Combo Pack Parts



Tool Kit Parts



Flooring Revêtement de sol

Unique Click System for 15/64" to 5/8" thick flooring



W max : 11-3/4"
Largueur maxi de lame : 30 cm

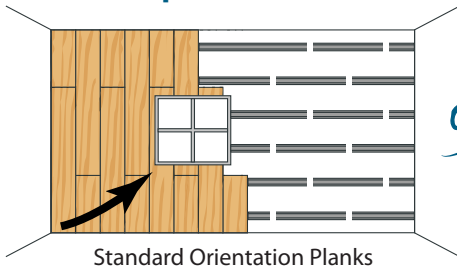
Equipment needed for installation

Equipment Matériel

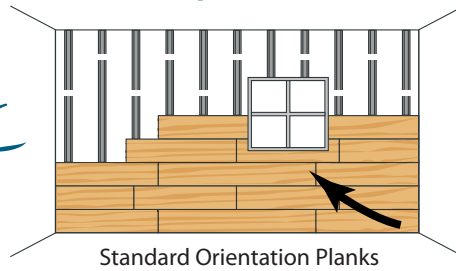


**PLEASE READ AND FOLLOW USE PRECAUTIONS OF THE LISTED EQUIPMENT
LIRE ET RESPECTER LES PRÉCAUTIONS D'EMPLOI DE CE MATÉRIEL**

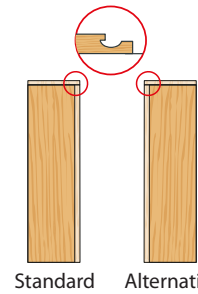
Vertical plank installation



Horizontal plank installation



"Left to Right?" or "Top to Bottom?"

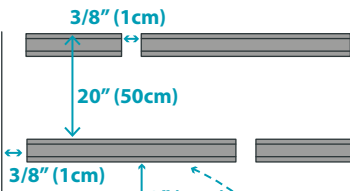


To determine starting point and installation direction:
Look at your chosen planks and locate the orientation of the "groove" side. Standard orientation installation is shown at left. Alternative orientation installs from the opposite side.

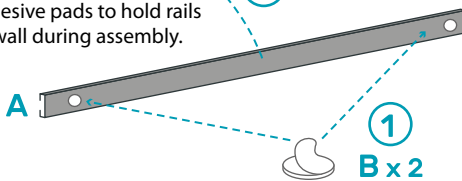
**PLEASE READ AND FOLLOW INSTALLATION INSTRUCTIONS PROVIDED BY THE FLOORING MANUFACTURER
LIRE ET RESPECTER LES PRECAUTIONS ET LES CONSIGNES DE POSE DU FABRICANT DE REVETEMENT**

1 Instructions show vertical plank installation. For horizontal plank installation, work from bottom to top.

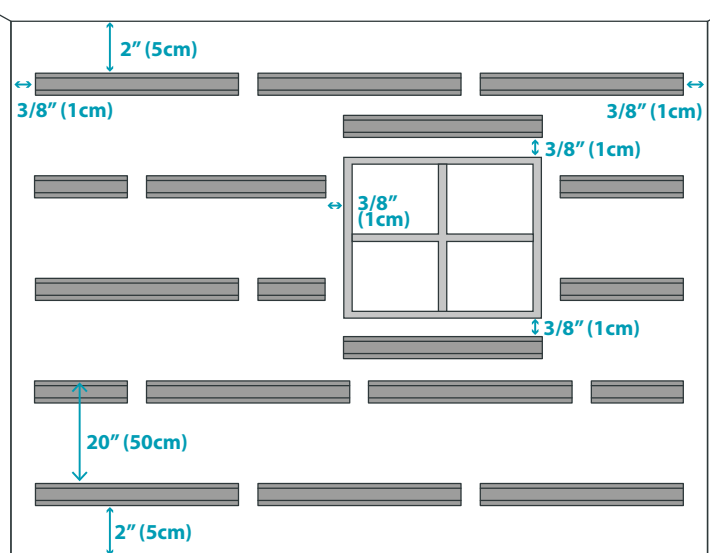
Mounting rails should be set equal distance apart (between 12 – 20 inches). Spacing between rails will vary depending on height (vertical plank installation) or width (horizontal plank installation) of wall.



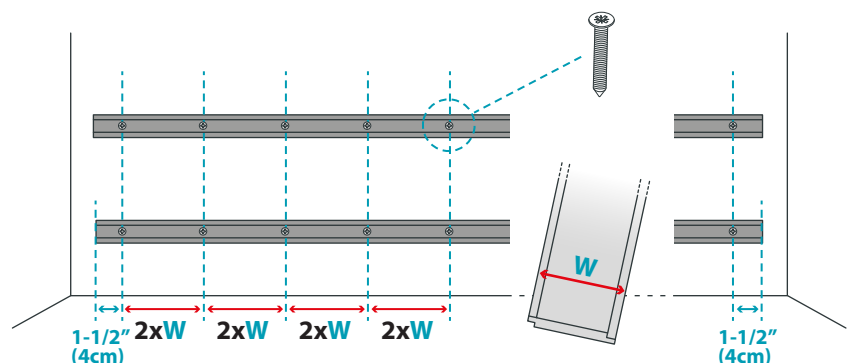
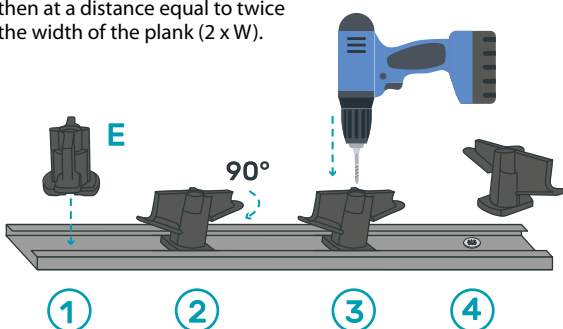
Use adhesive pads to hold rails on the wall during assembly.

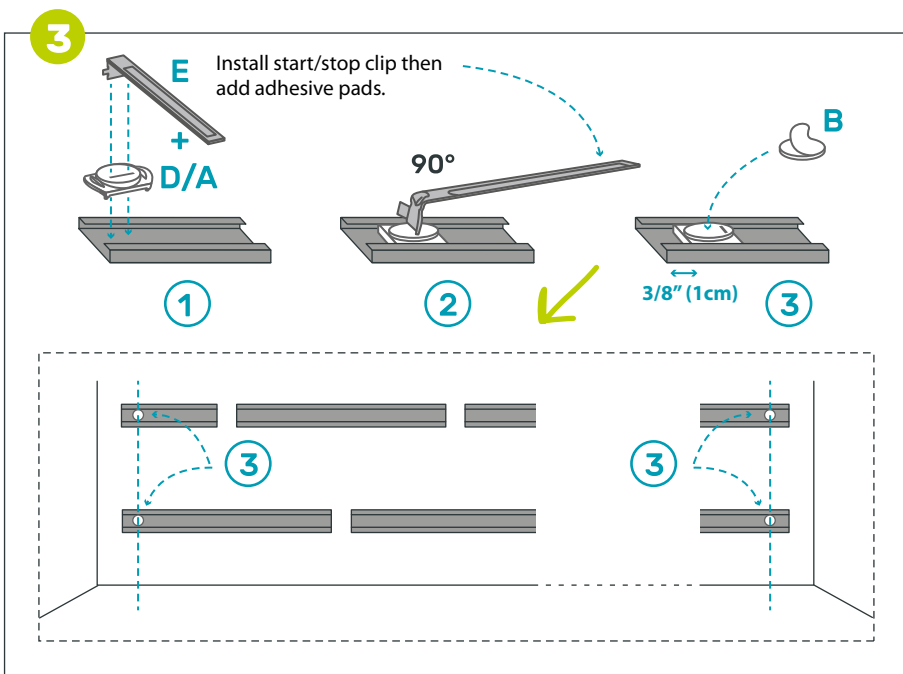


Warning! Do not use adhesive pads as the sole means of securing rails to the wall. Rails must be fastened using screws and wall anchors.

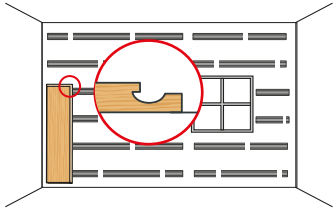


2 Drill guides are used to install screws for securing rails to the wall. The screws should be installed at ends and then at a distance equal to twice the width of the plank (2 x W).

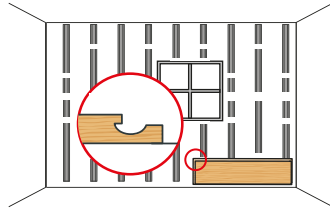




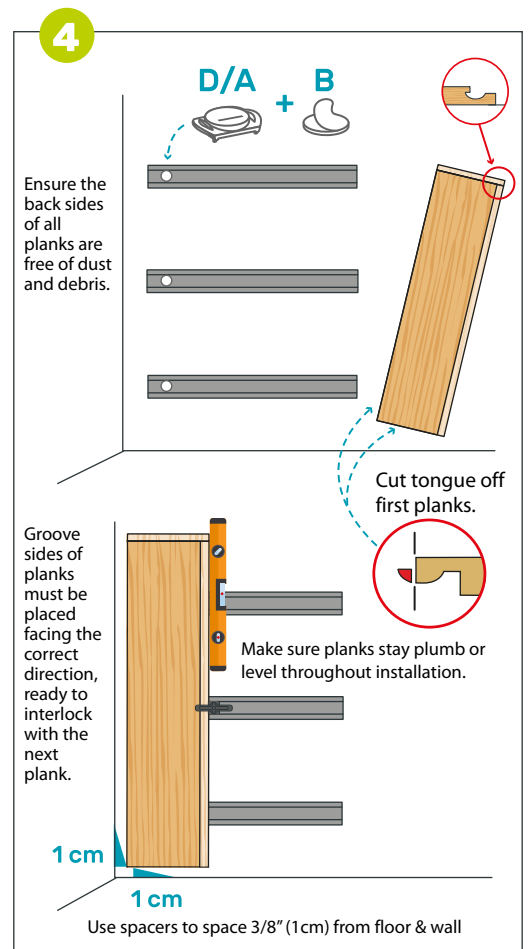
Vertical plank installation



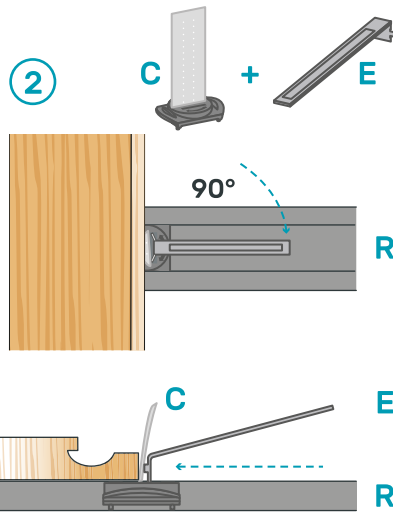
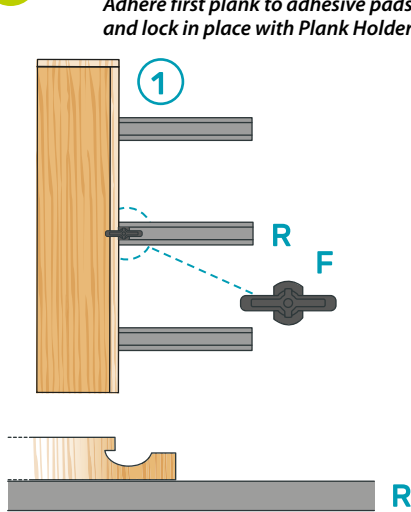
Horizontal plank installation



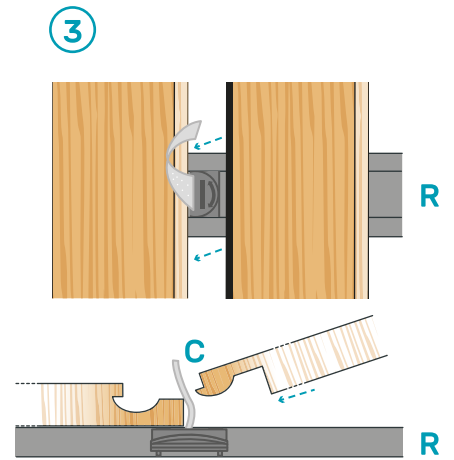
NOTE: Groove side of plank orientation - See page 1



5 Adhere first plank to adhesive pads and lock in place with Plank Holder



Install connection clips after each plank to secure planks to every rail, so planks do not come loose or buckle.



Make sure planks are flush against rails.

4 Use drill guide to hold planks in place during installation.

