

350 DURAWALL® Bathtub Walls

Fiberglass ■ ADA Designed ■ Premier



350 DURAWALL®

- Fits Standard 5 FT. (or less) Bathtub
- 3-Piece Molded Panels, Seamless Corners, Large Shelf
- Available in White and Bone
- Smooth Semi-Gloss Finish
- Scuff Resistant, Uniform Color
- Mildew Resistant, Easy to Clean
- Can Be Cut Out For Window
- Double-Sided Tape
- Includes Adhesive and Caulk

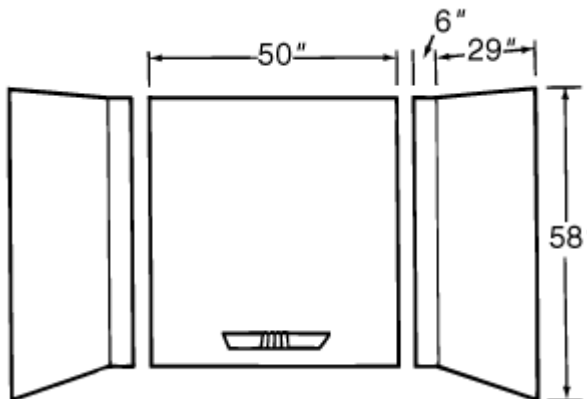
Code Accepted

Fiberglass DURAWALL® Bathtub walls meet or exceed performance requirements:

- American Society of Testing & Materials (ASTM)-D-635, E-165-75, E-84
- American National Standards Institute (ANSI)-Specification Z124.1
- HUD/FHA - UM-73
- Inhalation Toxicity Test - to evaluate inhalation health hazards with combustible products

SPECIFICATIONS

Model No.	Color	UPC
350WHT	White	6 71031 00266 2
350BN	Bone	6 71031 00267 9
350BT	Biscuit	6 71031 00379 9



General: Furnish and install as shown on plans DURAWALL® Bathtub Walls, model 350, as manufactured by E.L. Mustee & Sons, Inc. The wall system shall be three-piece construction with molded-in shelf and double face tape applied to edges of underside for a better seal. Panels shall include 20% fiberglass reinforced composite material and be manufactured with matched metal molds using extreme heat and pressure with a uniform thickness of 70 mils. Shall be semi-gloss, scuff-resistant surface. Unit shall meet or exceed applicable tests, per ANSI Specification Z 124.1. Color ____ (White, Bone or Biscuit). Shall include adhesive, caulk and instructions. Weight 62 lbs., cubic feet 12.0. Install in compliance with local codes.

Carton Contains: Center panel, two corner/end panels, adhesive, caulk and instructions. Carton is 60"x55"x7".