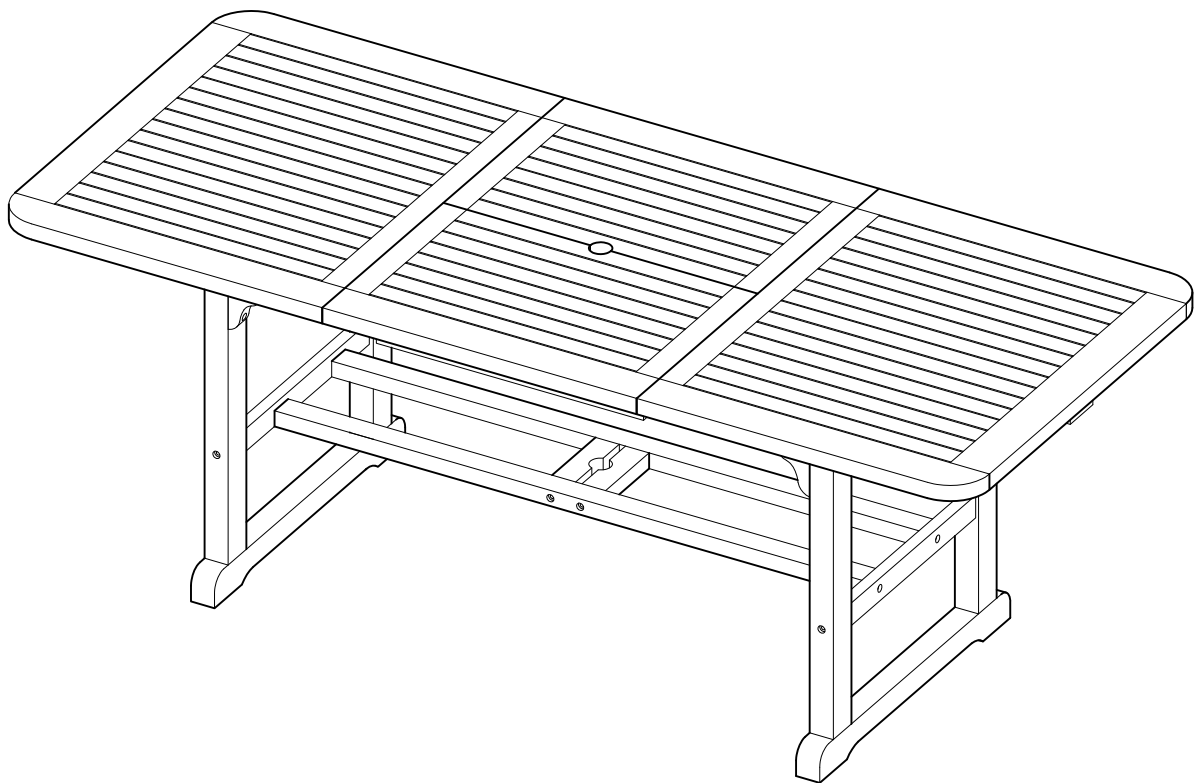


WE Walker[®]
Edison
furniture company

ITEM # : OWTEX
Assembly Instructions



Please visit our website for the most current instructions, assembly tips, report damage, or request parts. www.walkeredison.com

Revised 11/2017

General Assembly Guidelines

Acacia Wood Care and Maintenance:

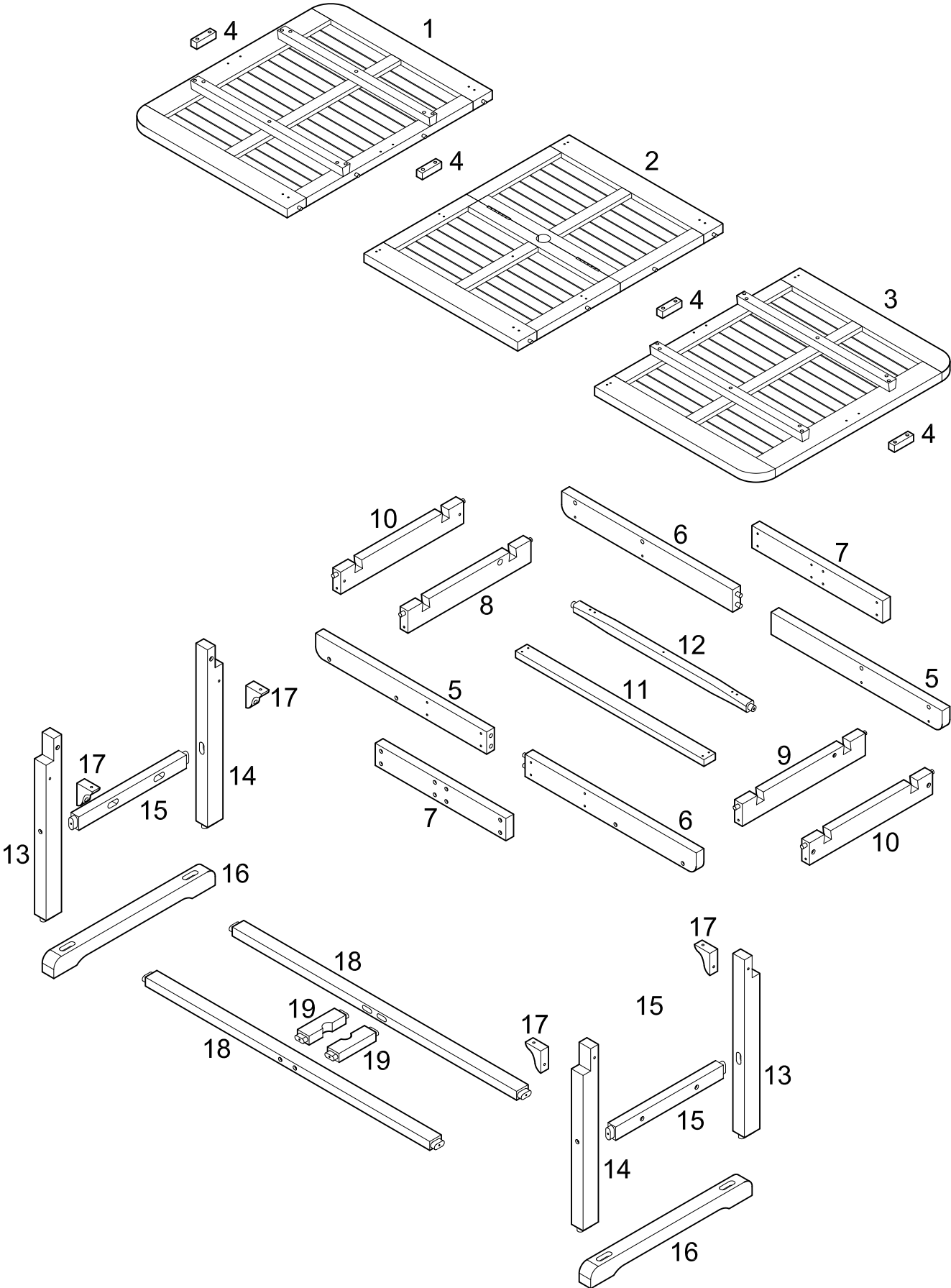
Like any natural wood, acacia wood will maintain its attractive appearance for much longer when given proper care.

- I. To extend the life of your outdoor furniture, avoid placing acacia wood furniture in direct sunlight for an extended period of time, as the sun's ultraviolet rays can cause the wood to dry out. Position acacia patio furniture underneath an umbrella or canopy to minimize damage due to sun and rain. It is ideal to keep it covered when not in use, during in-climate weather, or while in storage.

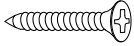
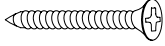
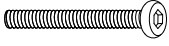



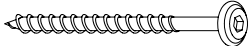
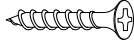
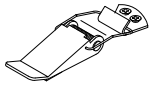

- II. Cleaning - Clean spills from acacia wood furniture with a soft cloth moistened with warm, soapy water. Dry the furniture with a second soft cloth or allow it to air-dry.

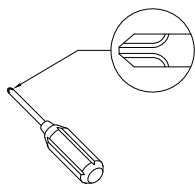
- III. Maintenance- Rub the acacia wood furniture with a furniture wax or wood preservative product (we recommend Teak Wood Oil products). Apply the teak oil according to the instructions found on the product label. Apply additional applications, as needed, to restore the vitality of the wood.

OWTEX Parts List



Hardware List

A		Ø4x30mm	Small Wood Screw	12 pcs
B		Ø4x40mm	Large Wood Screw	5 pcs
C		Ø8x55mm	Large Bolt	4 pcs
D			Sleeve nut	4 pcs
E		Ø6x40mm	Small Bolt	16 pcs
F		Ø7x60mm	Small Screw	10 pcs
G		Ø7x90mm	Large Screw	24 pcs
H			Large Screw	16 pcs
I			Draw pull latch	4 pcs
J			Wrench	2 pcs

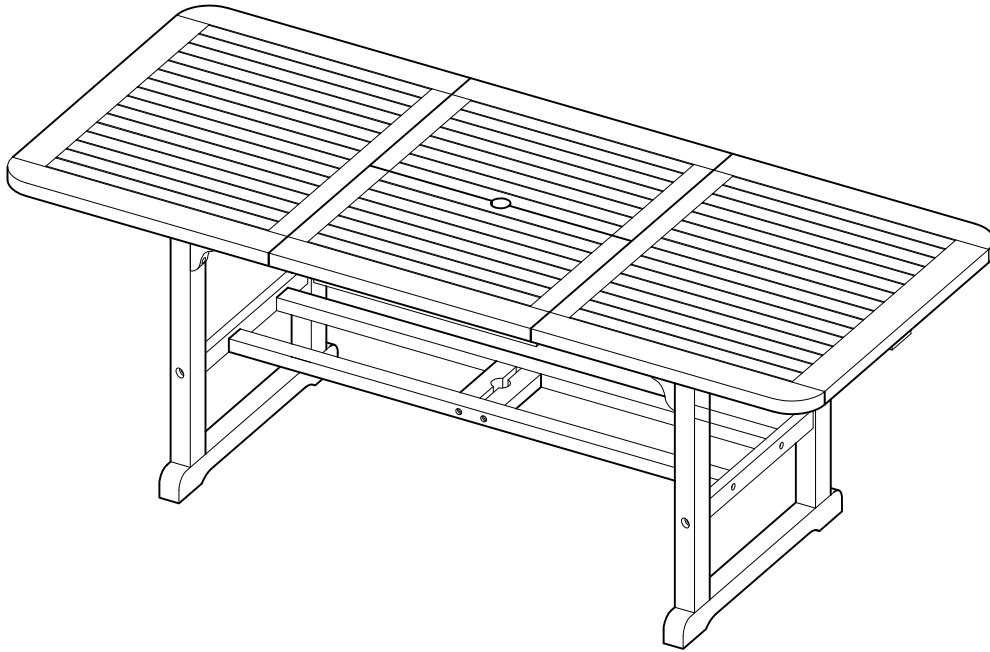


Philips head screwdriver required for assembly
(not included)

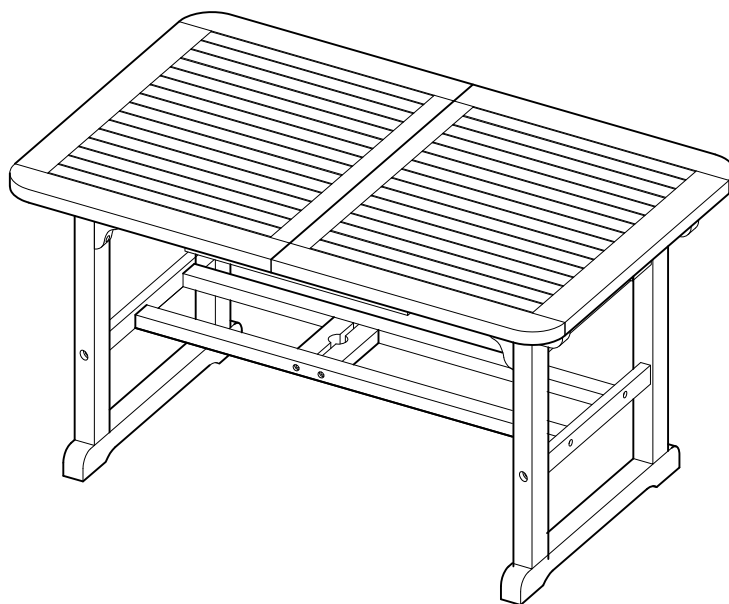
*The hardware quantities listed above are required for proper assembly.
Some extra hardware may also have been included.*

TWO ASSEMBLY OPTIONS

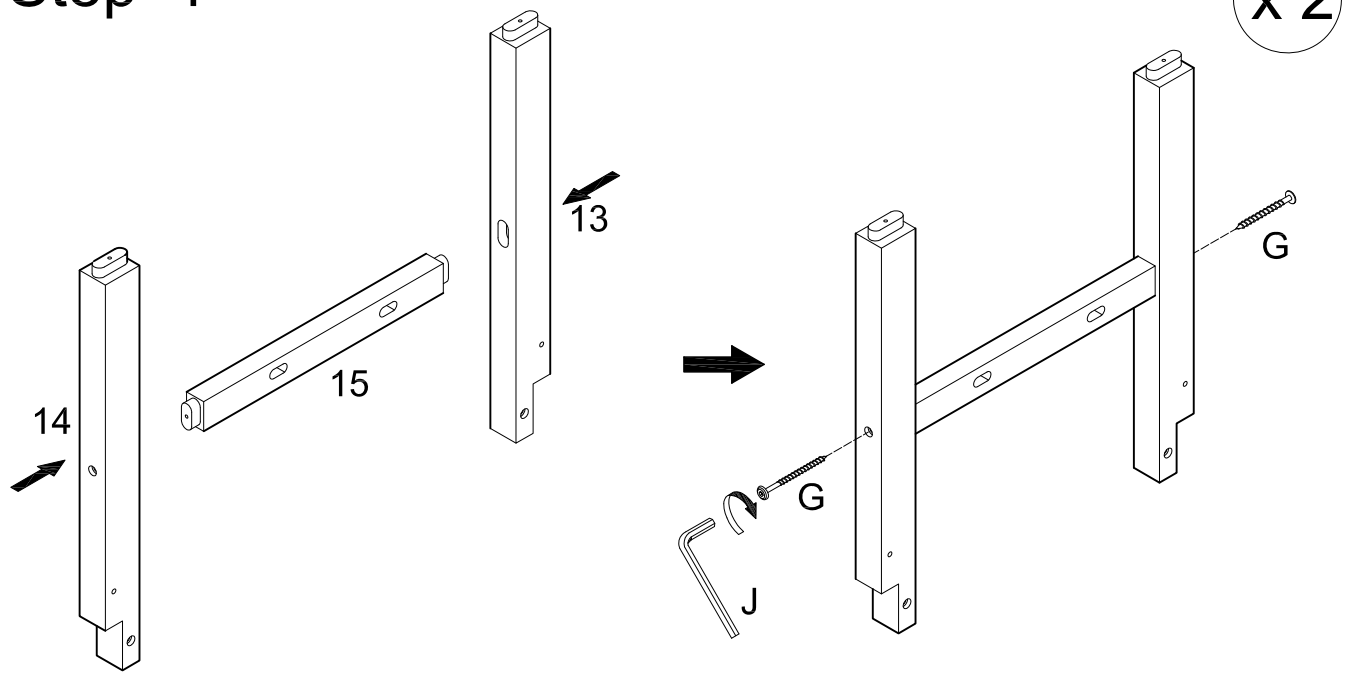
Option A



Option B

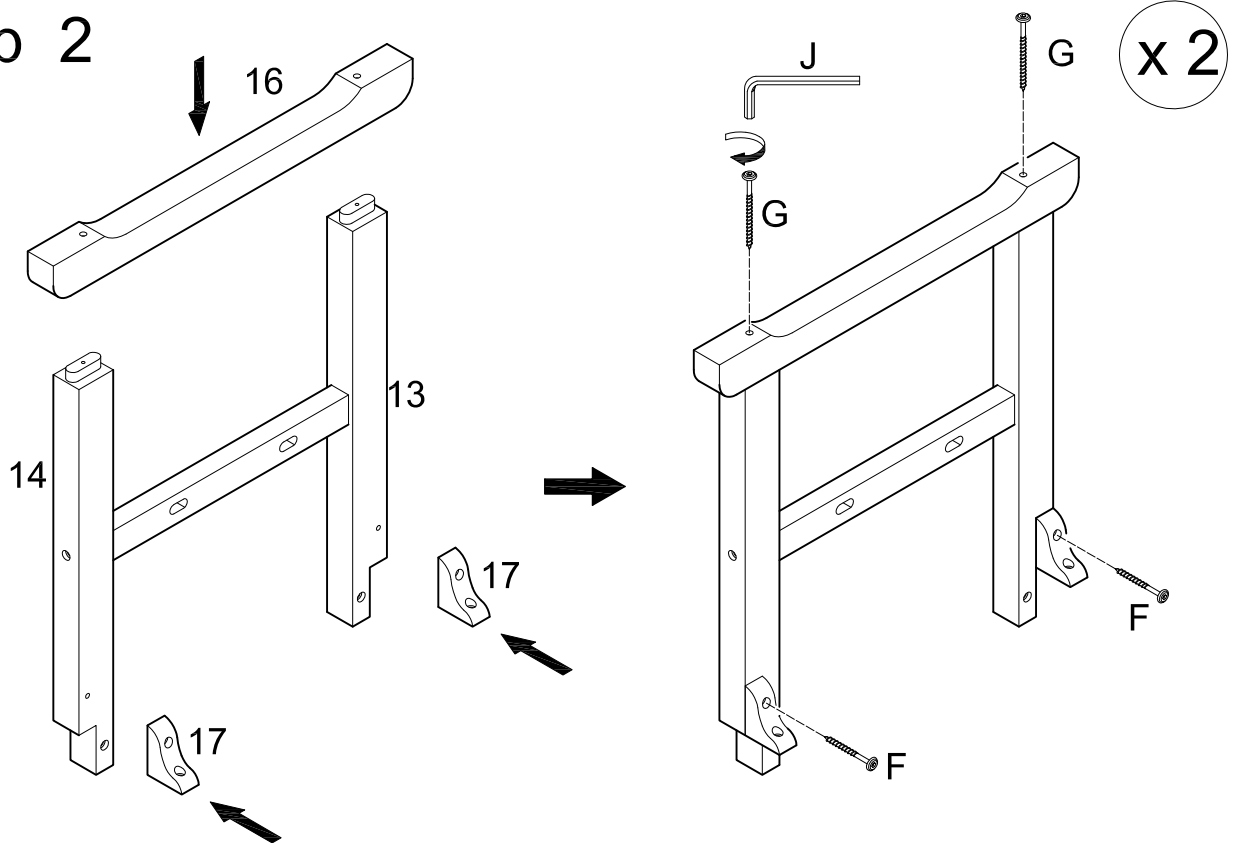


Step 1



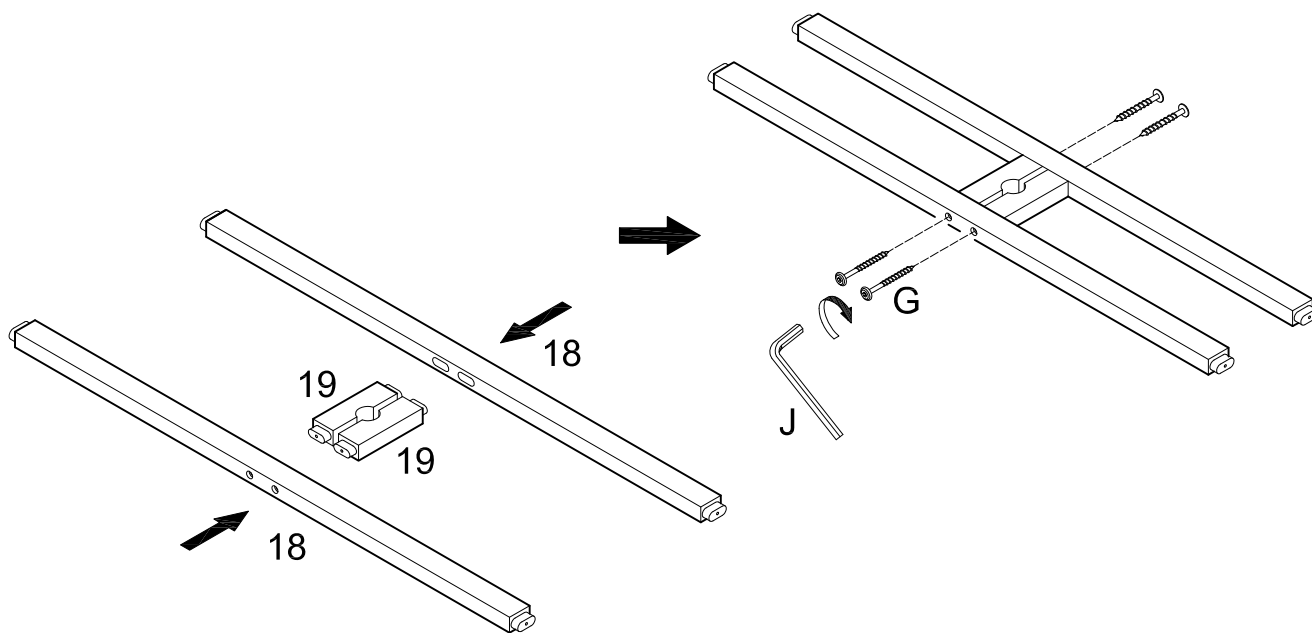
Secure slat 15 to legs (13,14) using large screws (G). Tighten large screws (G) with wrench (J). Repeat this step for the second set of legs (13,14).

Step 2



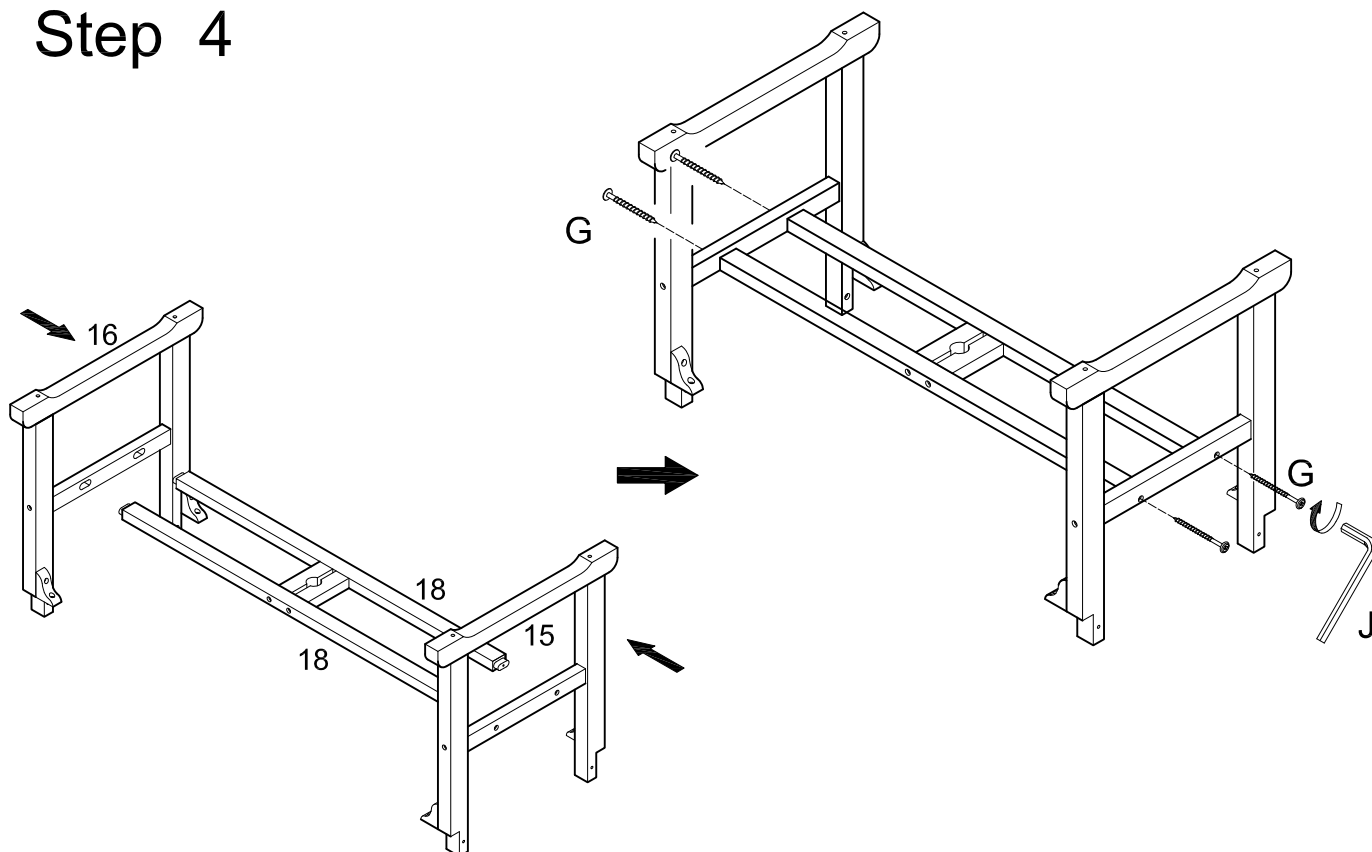
Secure slat (16) to legs (13,14) using large screws (G). Secure supports (17) to legs (13,14) using small screws (F). Tighten all screws with wrench (J). Repeat this step for the second set of legs (13,14).

Step 3



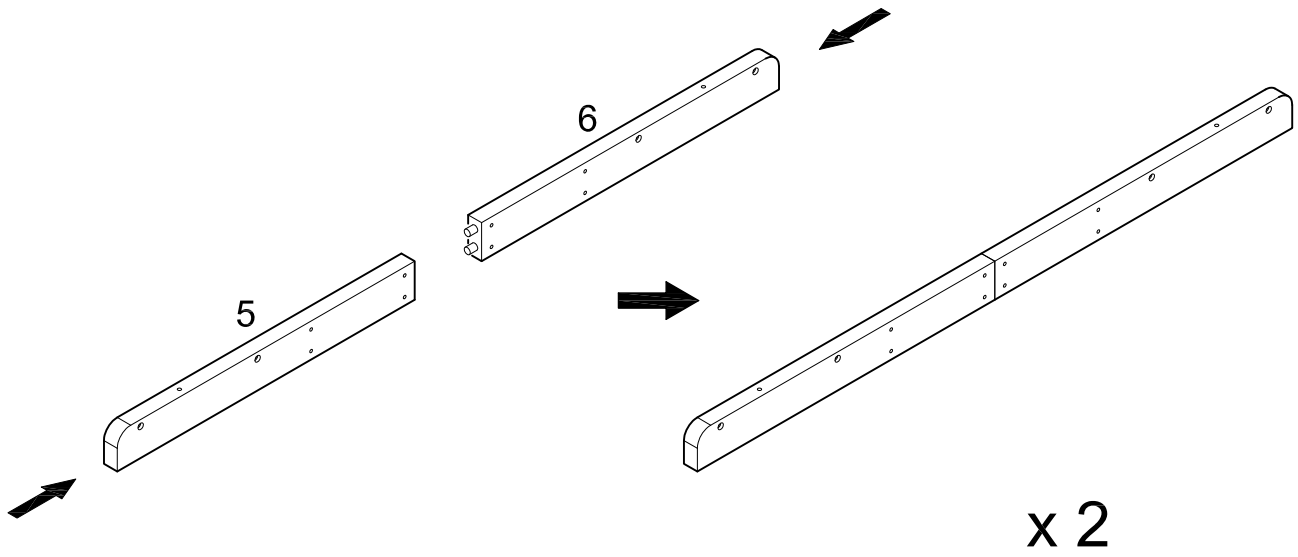
Secure umbrella supports (19) to slats (18) using large screws (G). Tighten large screws (G) with wrench (J).

Step 4



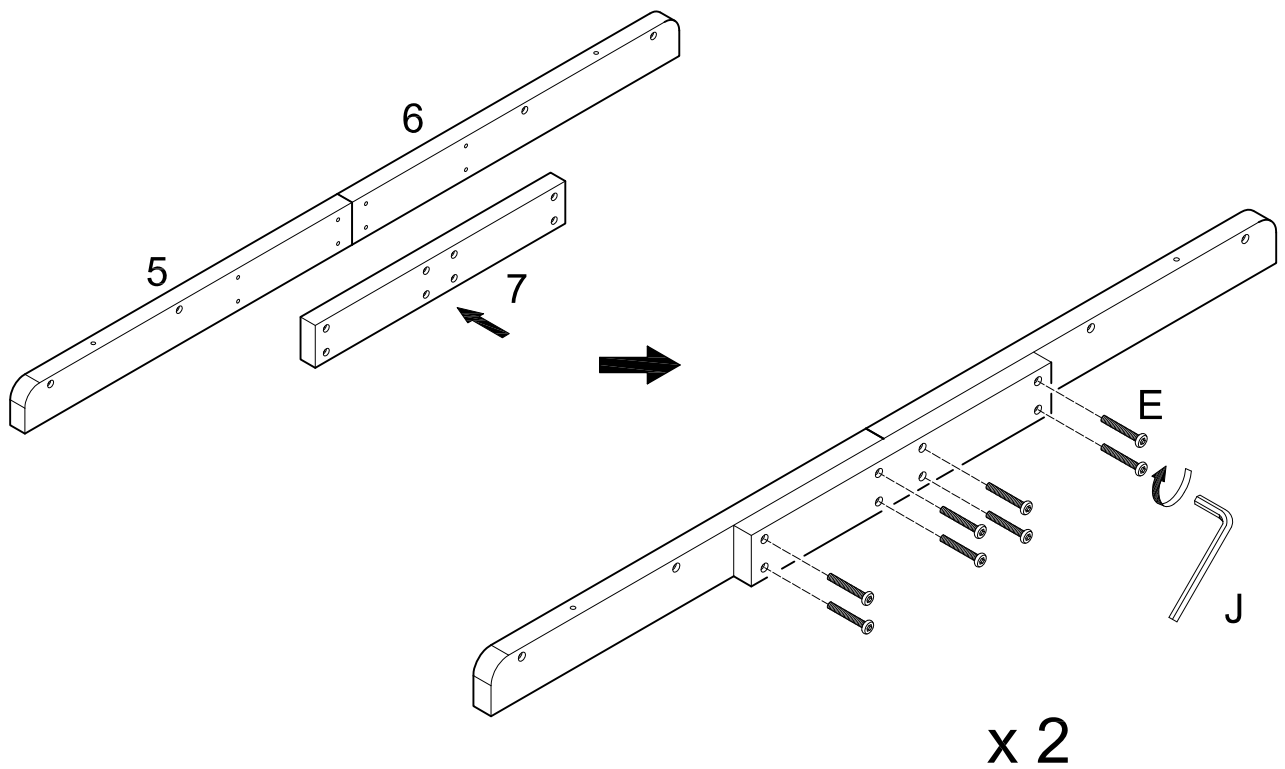
Attach slats (18) to slats (15) using large screws (G). Tighten large screws (G) with wrench (J).

Step 5



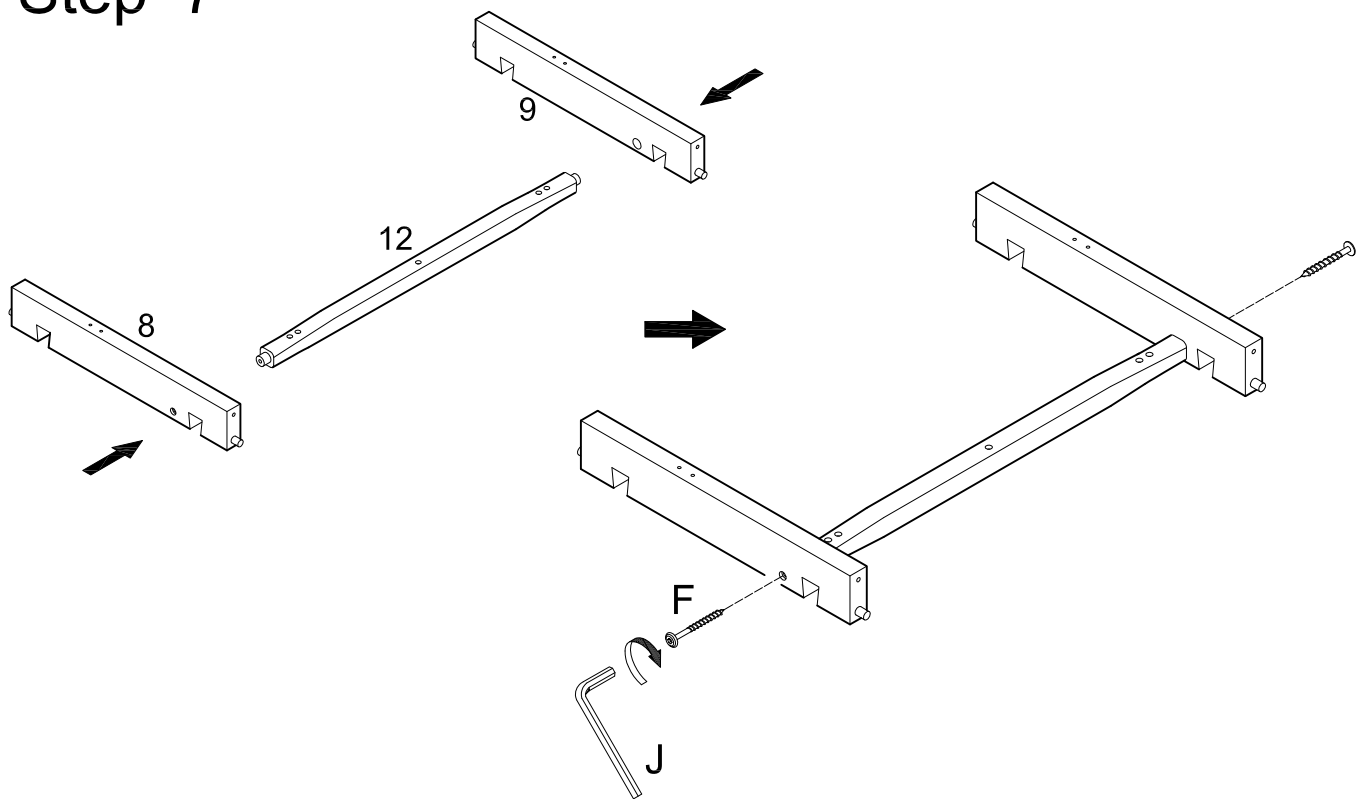
Attach slat (5,6) as per diagram.

Step 6



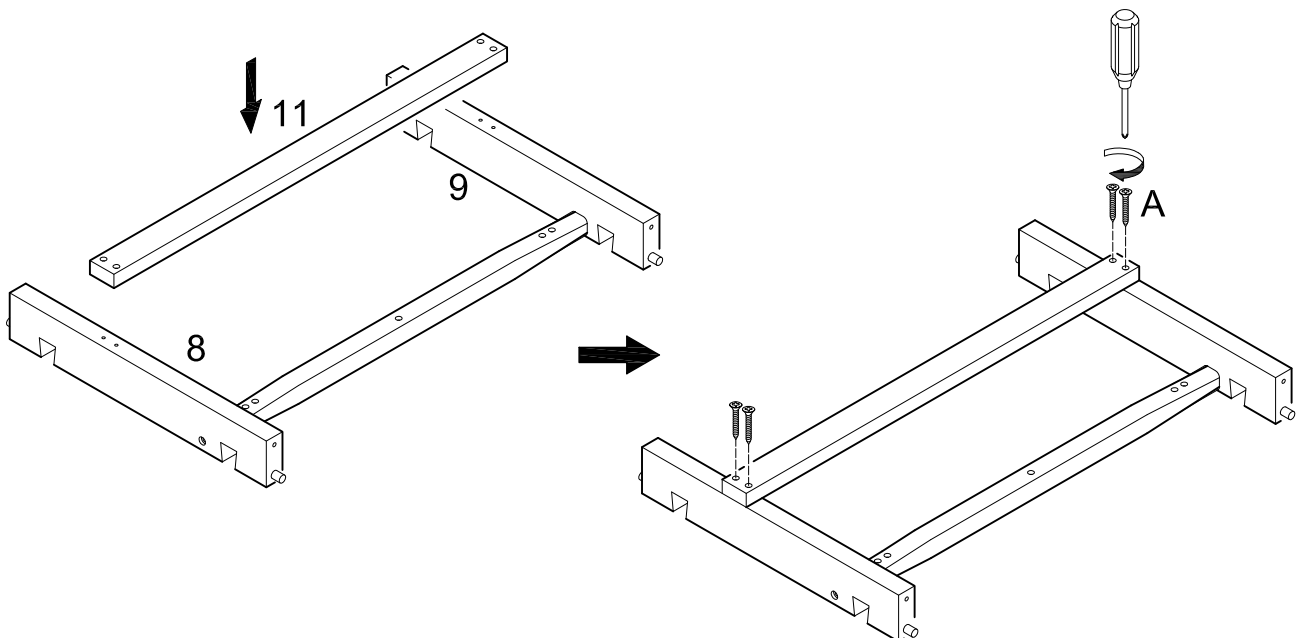
Use small bolts (E), wrench (J) to secure the slat (7) as per diagram.

Step 7



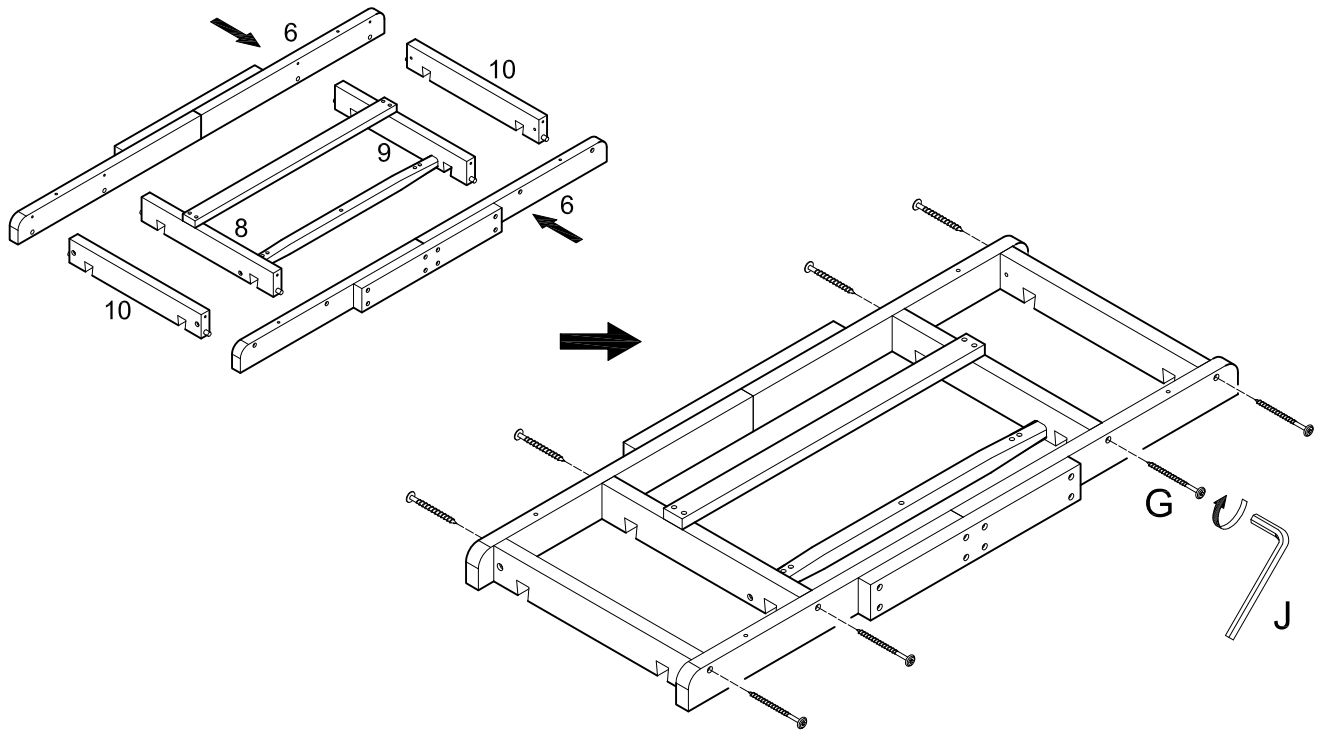
Secure slat (12) to slats (8,9) using small screws (F). Tighten small screws (F) with wrench (J).

Step 8



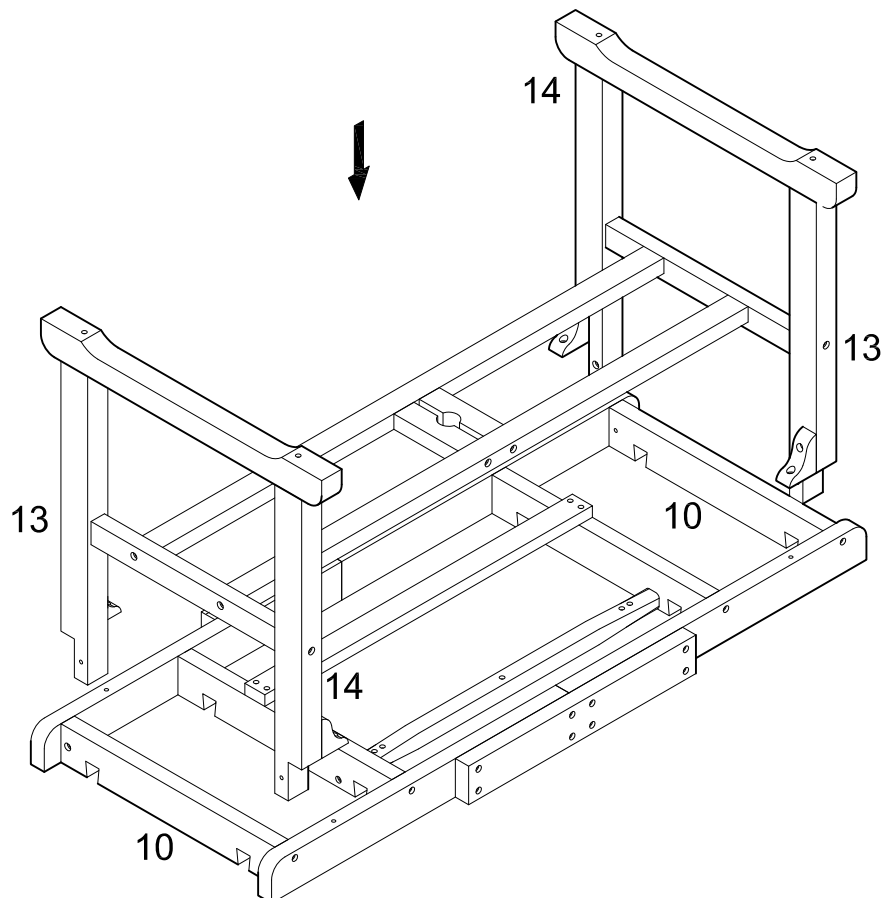
Secure slat (11) to slats (8,9) using small wood screws (A). Tighten small wood screws (A) with a screwdriver.

Step 9



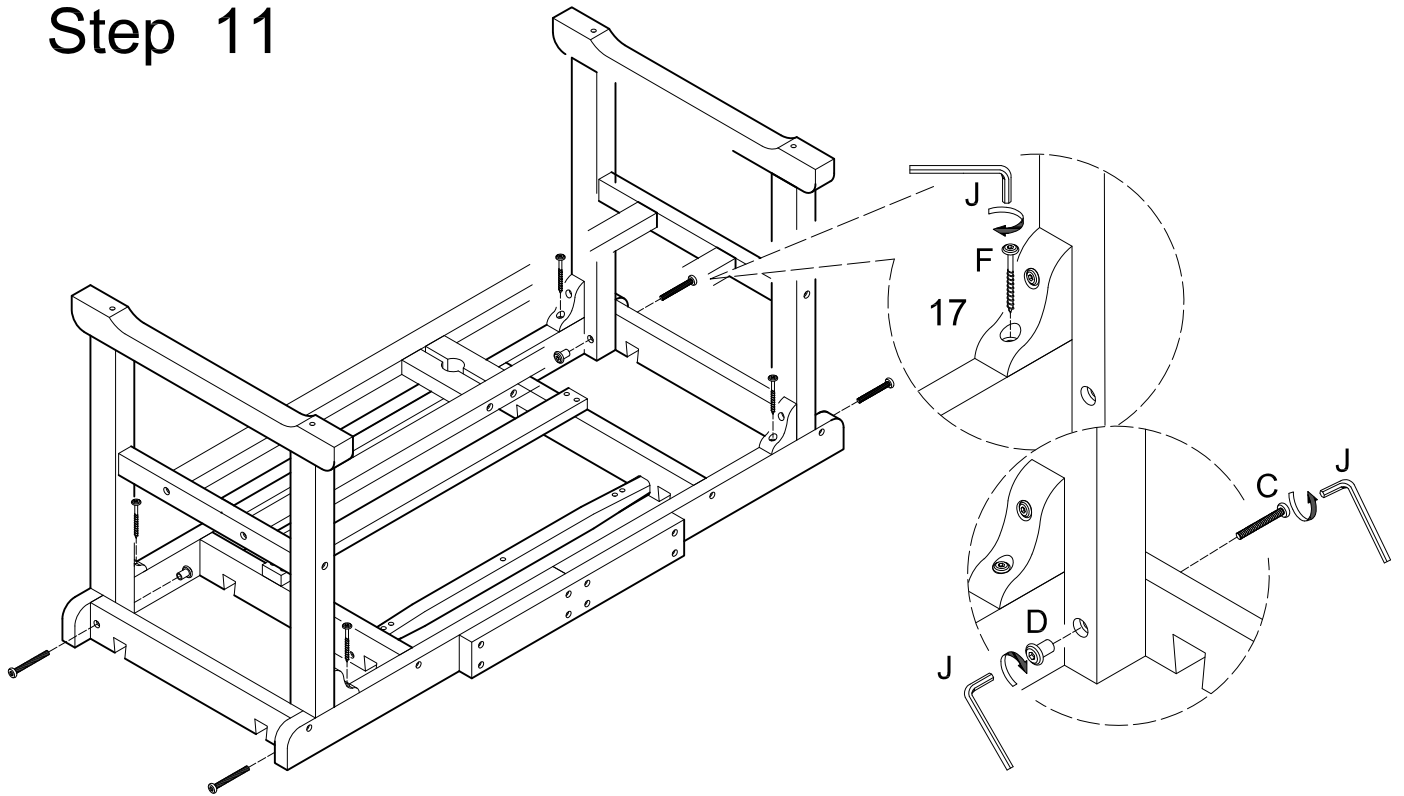
Construct the inner frame of the table by securing the slat (6) assemblies from Step 6 to slats (8,9,10) using large screws (G). Tighten large screws (G) with wrench (J).

Step 10



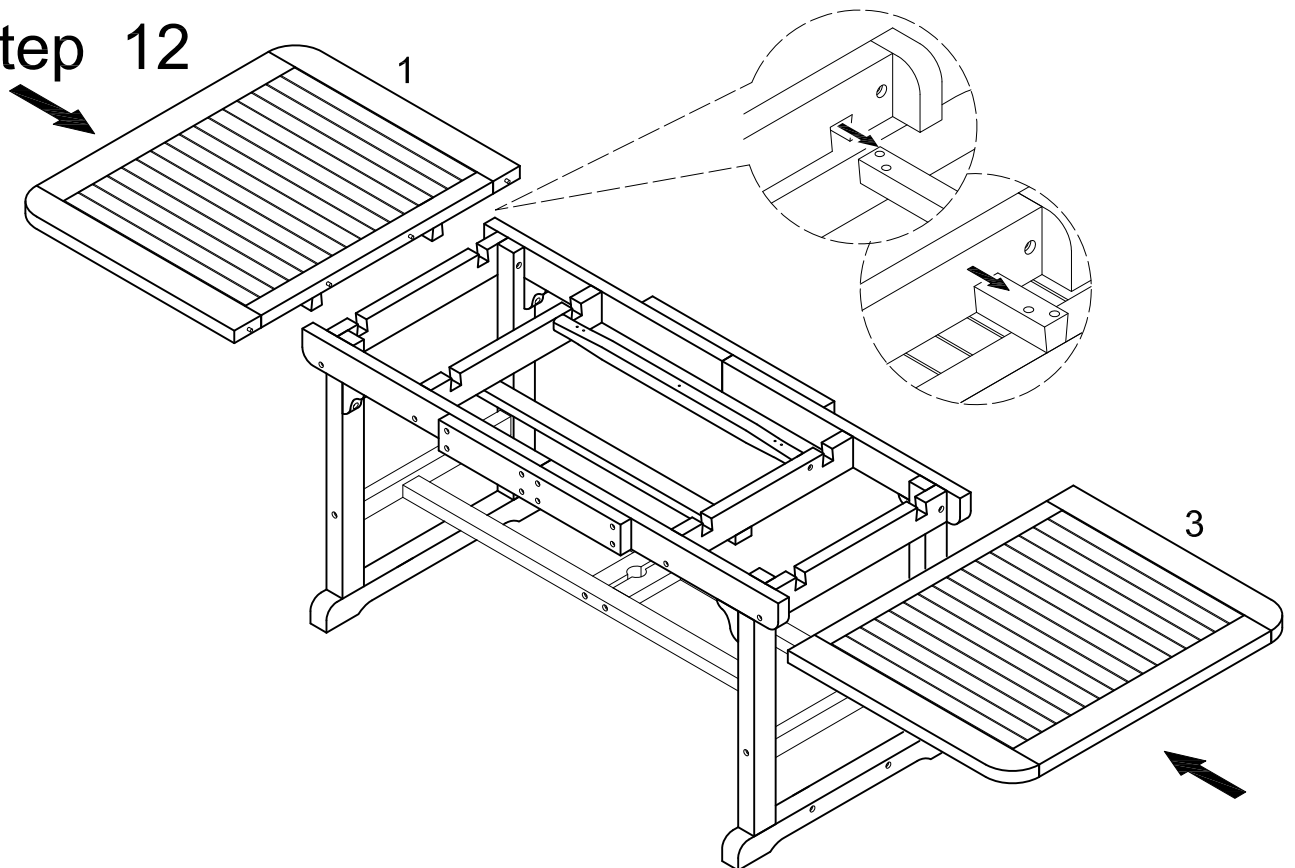
Carefully slide the leg assembly from Step 4 into place along the inner frame assembly from the previous step.

Step 11



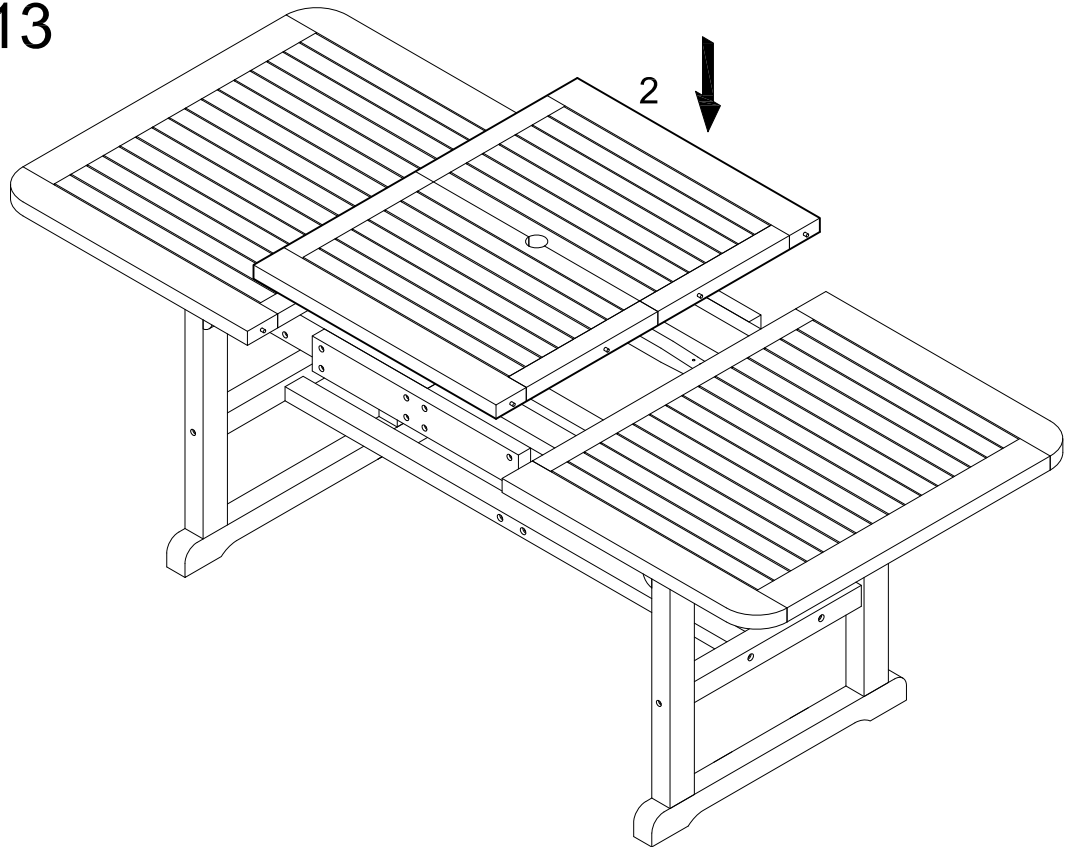
Secure supports (17) to the inner frame assembly using small screws (F). Tighten small screws (F) with wrench (J). Secure each leg to the inner frame assembly using large bolts (C) and sleeve nuts (D). Tighten large bolts (C) and sleeve nuts (D) onto each other using wrenches (J).

Step 12



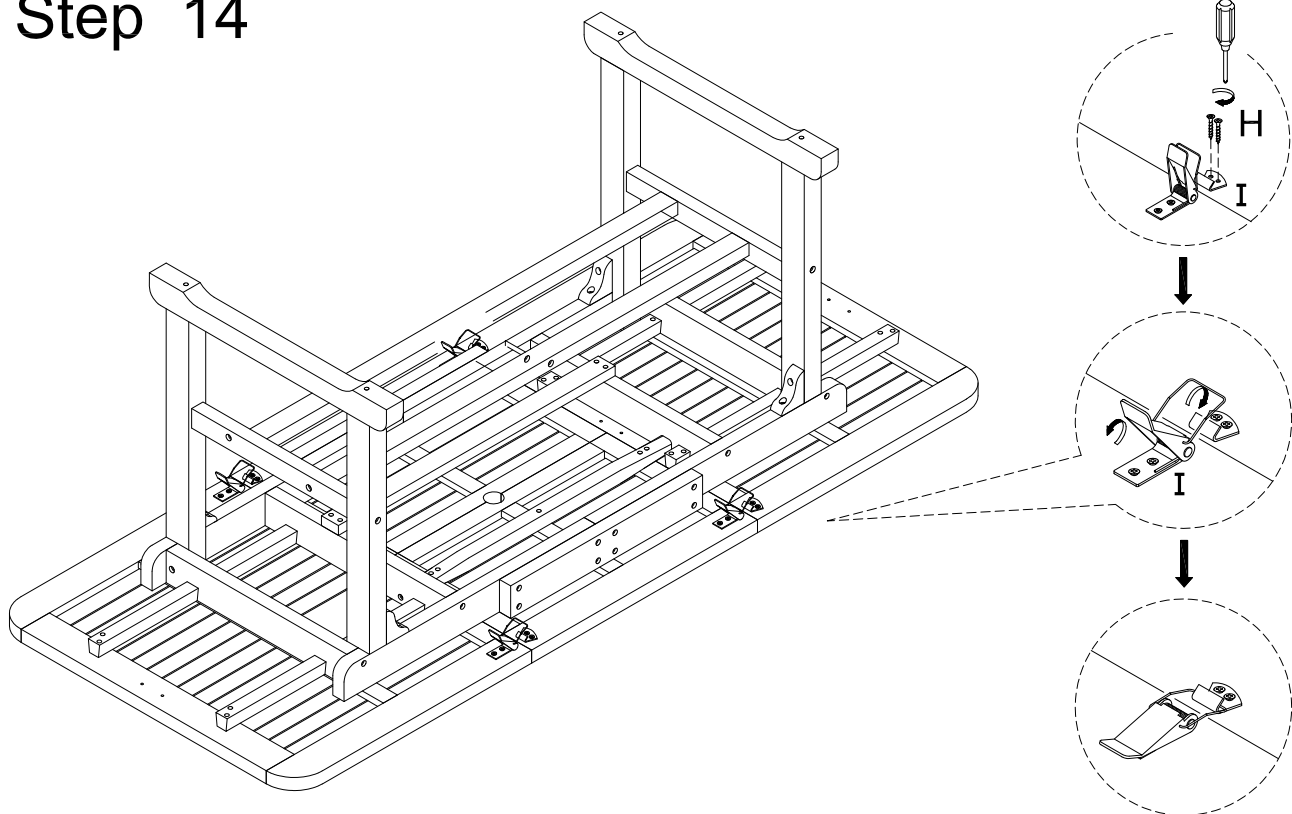
Carefully slide table top sections (1,3) into place.

Step 13



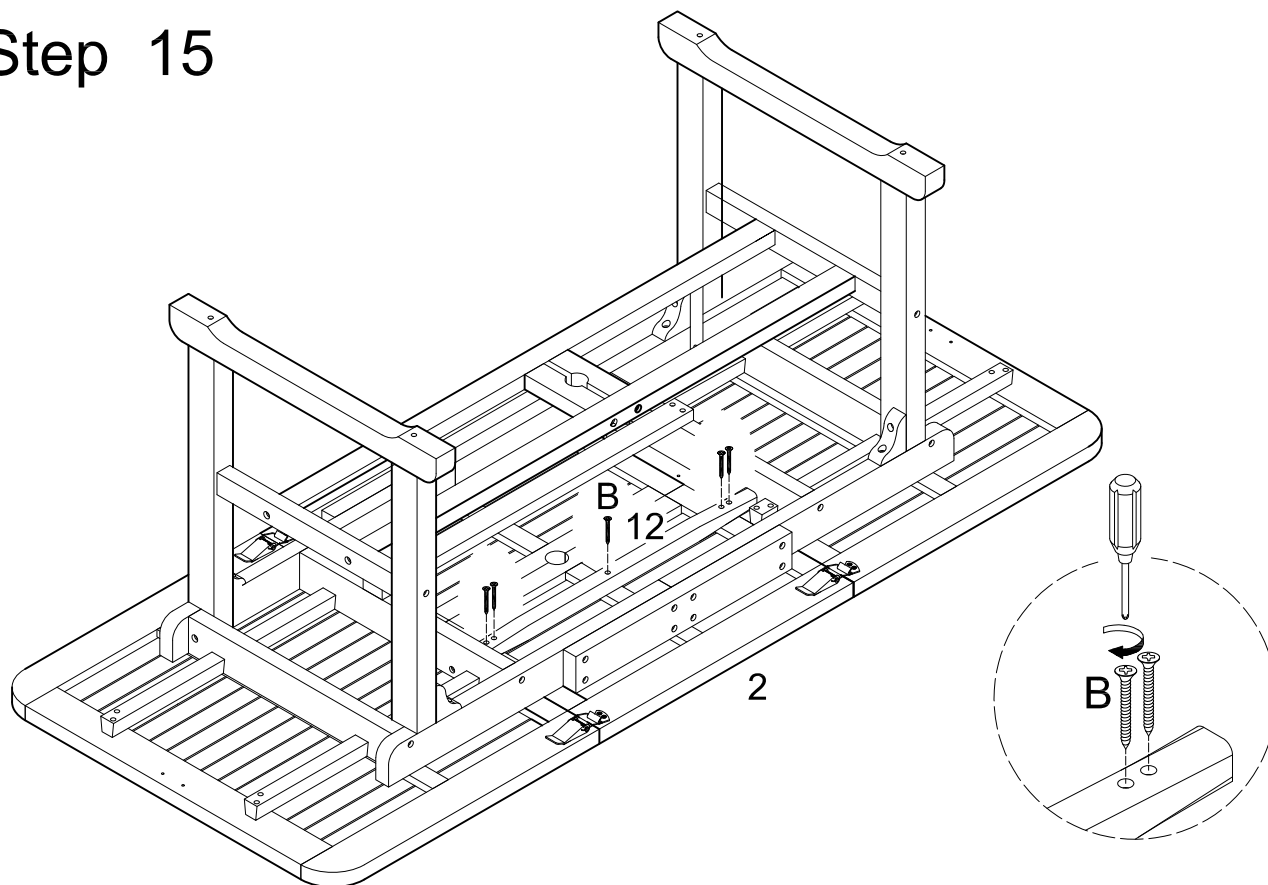
Carefully slide table top sections (2) into place.

Step 14



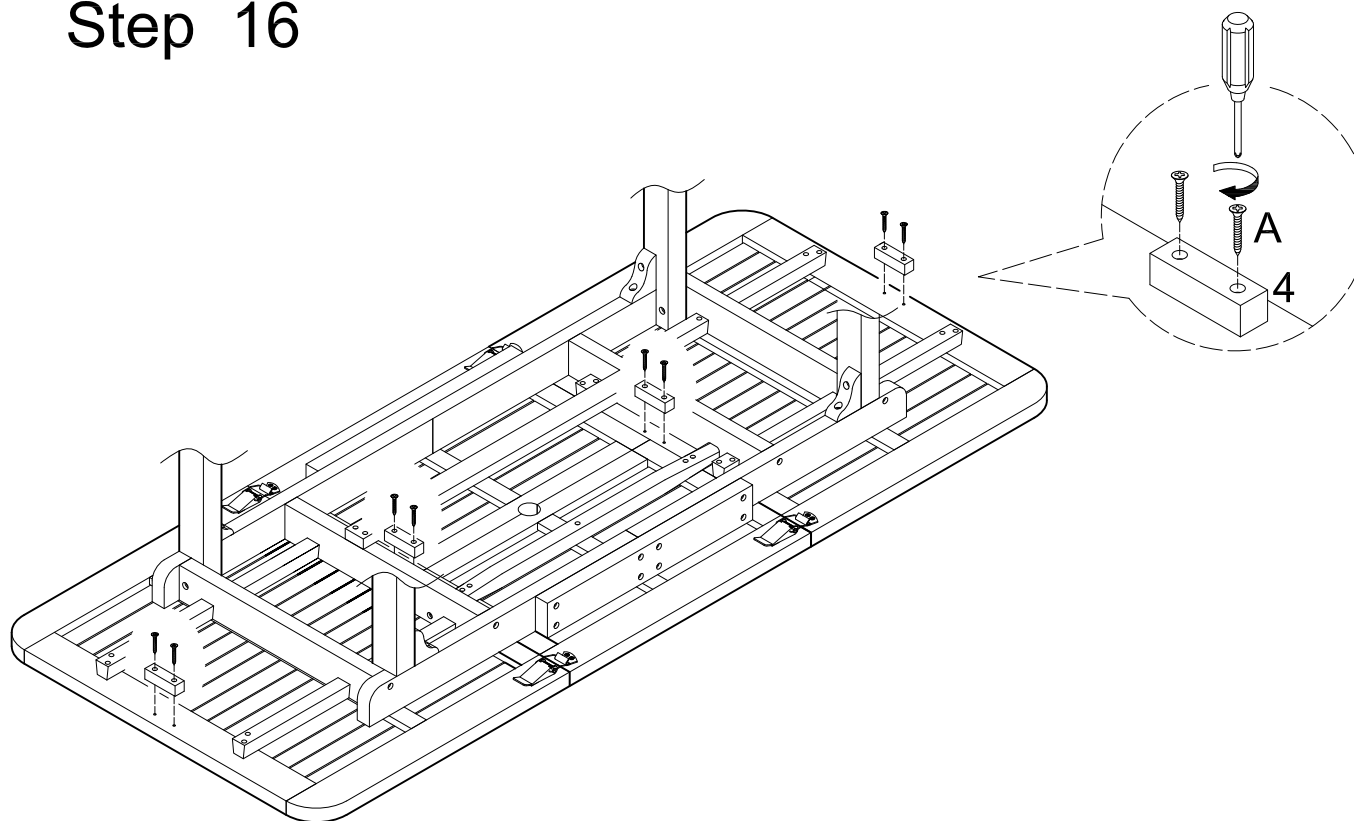
Carefully flip table over onto a soft surface. Attach draw pull latches (I) to all table top sections using latch screws (H) as shown above. Tighten screws (H) with a screwdriver. (Ensure that draw pull latches (I) can appropriately lock and unlock.) Lock draw pull latches (I).

Step 15



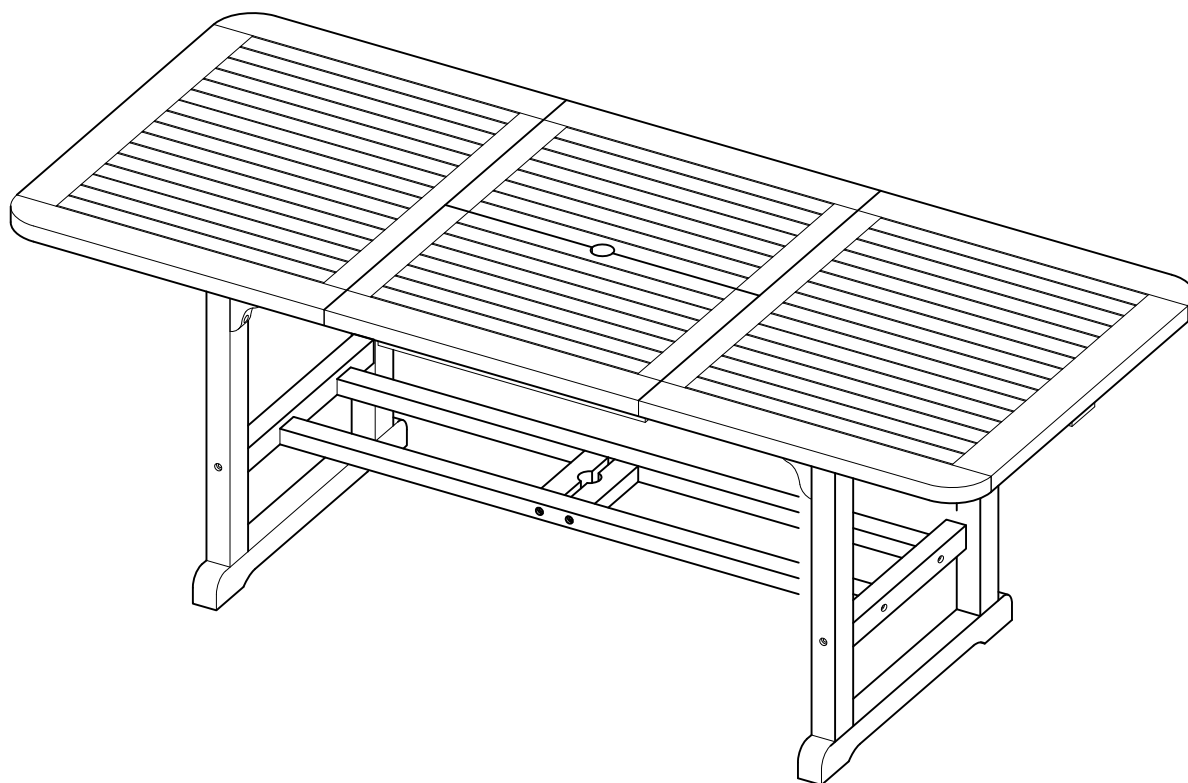
Secure slat (12) to table top section (2) using large wood screws (B). Tighten large wood screws (B) with a screwdriver.

Step 16



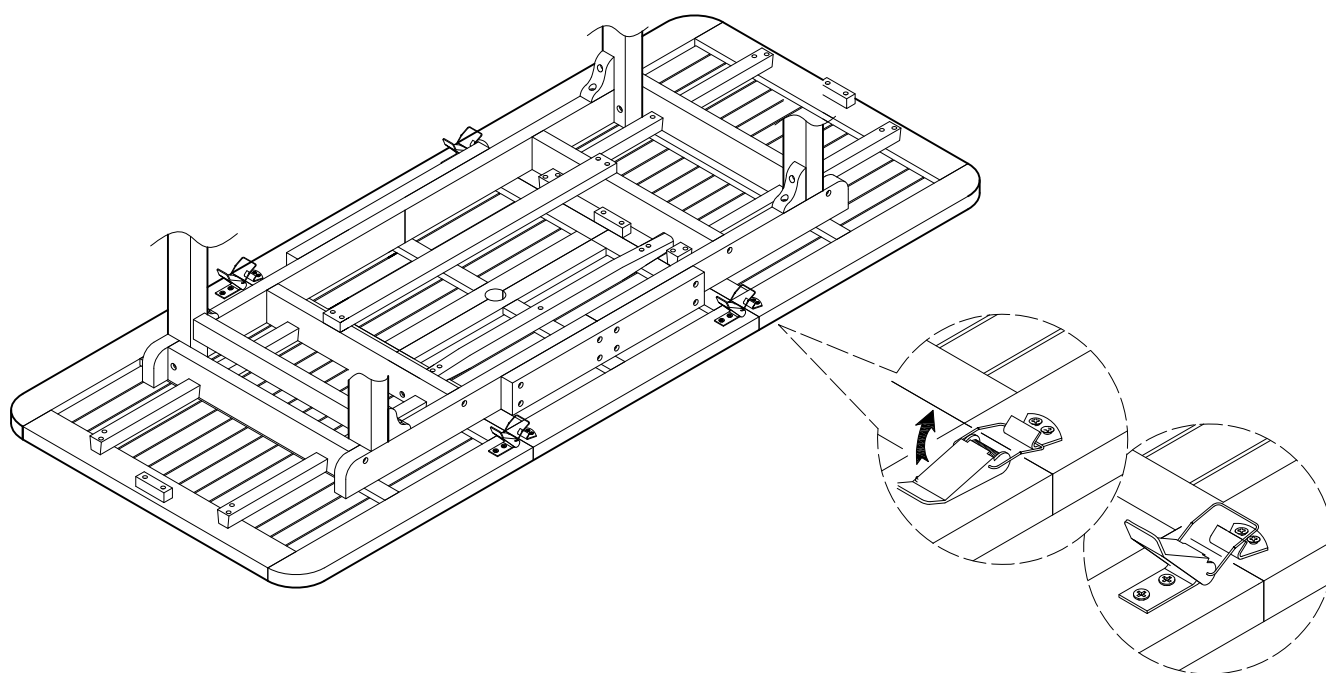
Attach blocks (4) to all table top sections using small wood screws (A) as shown above. Tighten small wood screws (A) with a screwdriver.

Step 17



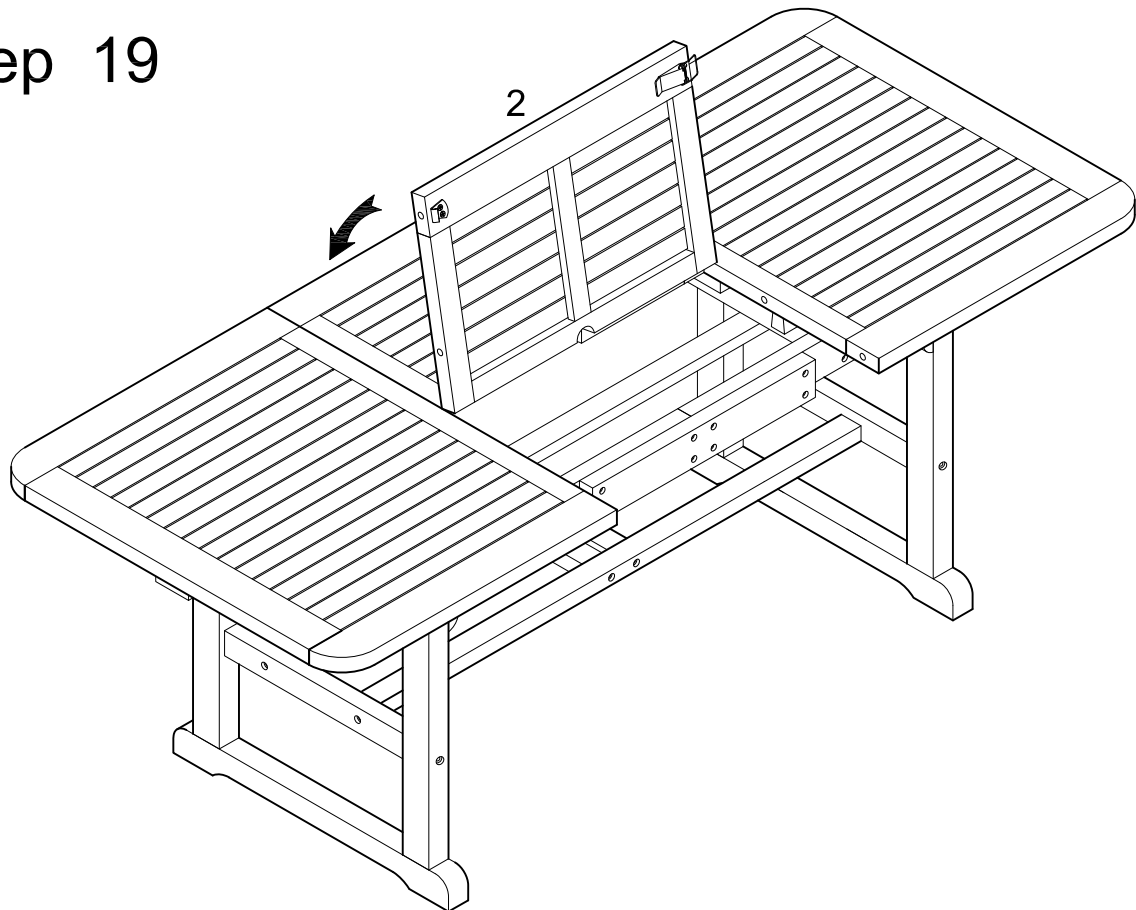
Option A

Step 18



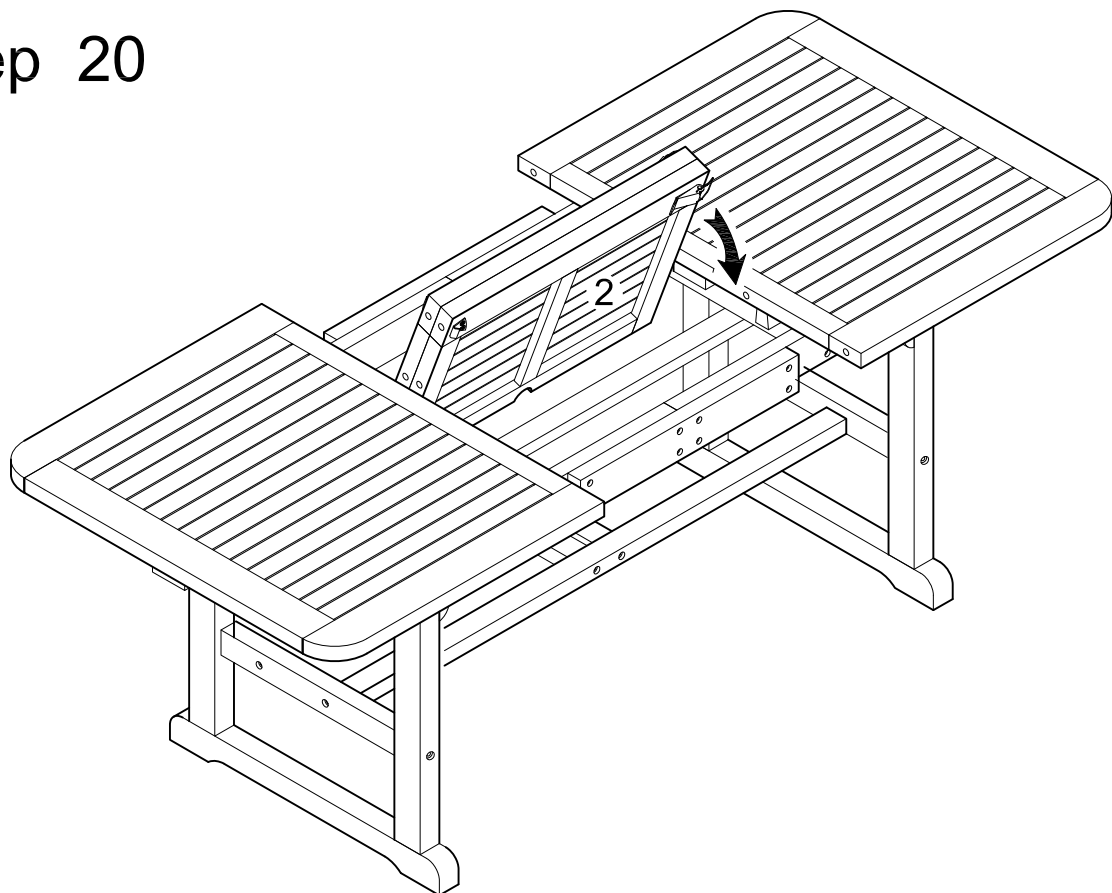
To put the extendable leaf of the table away, unlock the draw pull latches. (You do not need to flip the table over to unlock the draw pull latches. The diagram is shown as such for illustration purposes only.)

Step 19



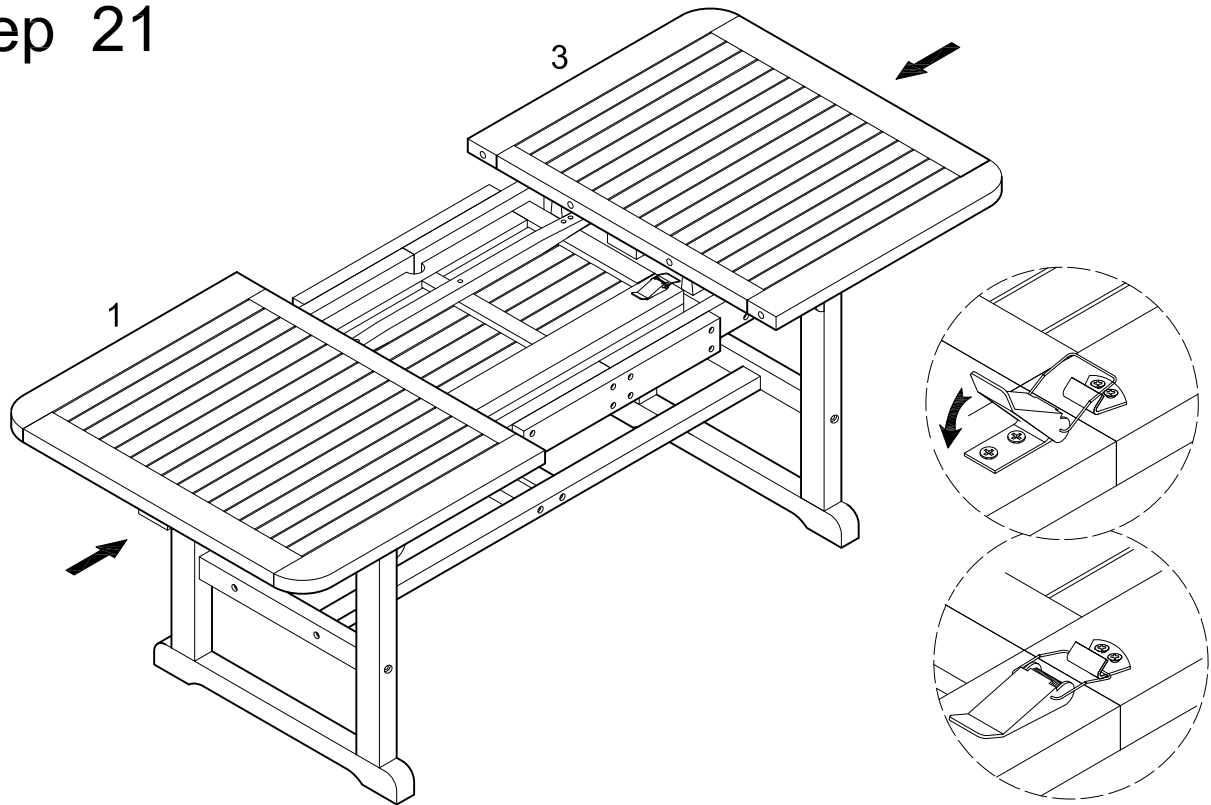
Fold table top section (2) over itself.

Step 20



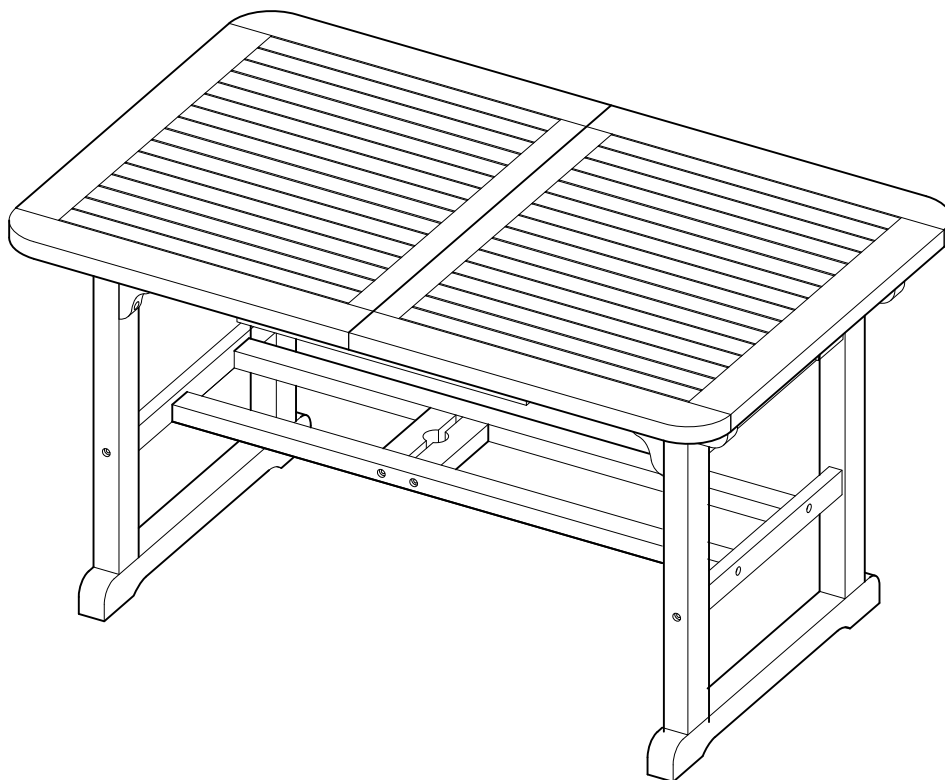
Rotate table top section (2) so it rests on the inner frame of the table.

Step 21



Carefully and simultaneously slide table top sections (1,3) together. Lock draw pull latches of table top sections (1,3) together.

Step 22



Option B