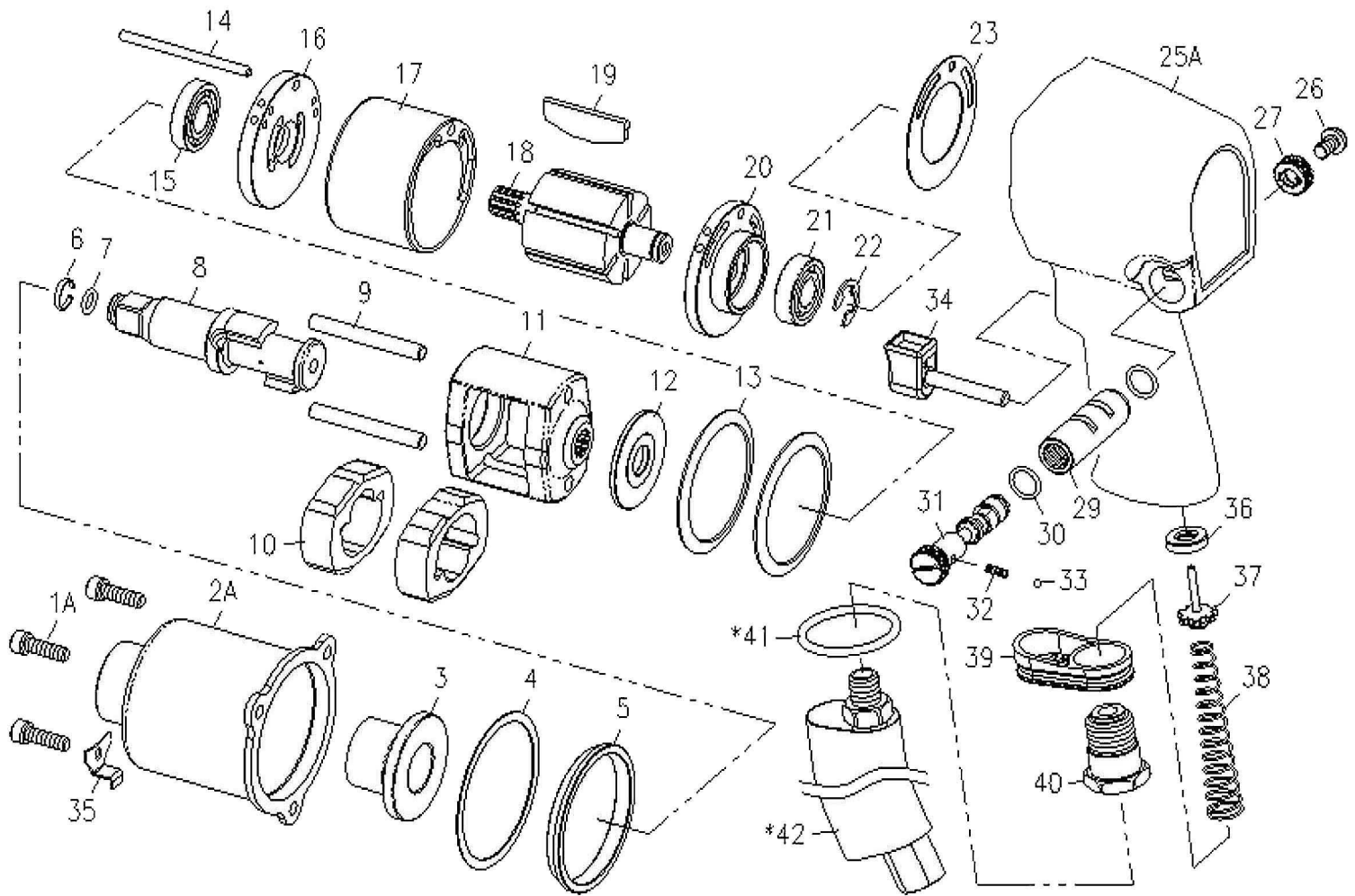


1/2" Heavy Duty Impact Wrench Twin Hammer Mechanism / Handle Exhaust



No.	Part No.	Description	Q'ty	No.	Part No.	Description	Q'ty
1A	740060180	Screw	3	21	705600100	Ball Bearing	1
2A	320200201	Clutch Housing	1	22	730010000	E-Ring	1
3	320200100	Anvil Bushing	1	23	320204600	End Plate Gasket	1
4	320200300	Front Gasket	1	25A	320300010	Motor Housing	1
5	320200400	Clutch Housing Pilot	1	26	760064100	Screw	1
6	790102000	Anvil Collar	1	27	320206900	Reverse Valve Knob	1
7	715007000	O-Ring	1	29	320200500	Valve Sleeve	1
8	320202020	Anvil	1	30	719013000	O-Ring	2
*8	320202030	Anvil 2" Extended	1	31	320206700	Reverse Valve	1
9	320202300	Hammer Pin	2	32	320206800	Spring	1
10	320202210	Hammer Dog	2	33	710031750	Steel Ball	1
11	320202110	Hammer Cage	1	34	320306500	Trigger	1
12	320202500	Hammer Washer	1	35	320306600	Trigger Fixture	1
13	320202600	Disc Spring	2	36	320306200	Throttle Bushing	1
14	700040600	Cylinder Pin	1	37	320306300	Valve Stem	1
15	706127000	Ball Bearing	1	38	320306100	Spring	1
16	320204200	Front End Plate	1	39	320306700	Muffle Cover	1
17	320204110	Cylinder	1	40	320306000	Hose Fitting	1
18	320204001	Rotor	1	*41	715030000	O-Ring	1
19	320204410	Rotor Blade	6	*42	320306900	Muffle Tube	1
20	320204300	Rear End Plate	1				
				*	Option Parts		