

**ITEM NO.:A106005700**



**WE HAVE YOU IN MIND, LET US SERVE YOU!**

Questions? Issues?

**CONTACT US**

24 hours / 7 days a week



[www.sunjoyonline.com](http://www.sunjoyonline.com)



[customer.care@sunjoygroup.com](mailto:customer.care@sunjoygroup.com)

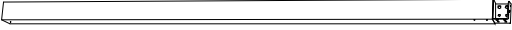









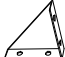



1-(866)-578-6569

Country of Origin: China

Production Number: xxxxxxxxxx

## Parts List

Label	Part#	Description	Qty	Image
A	P000200395	Post	4	
B	P000100295	Base	4	
C	P006100151	Base Cover	4	
D1	P000400798	Cross Beam 1	4	
D2	P000400799	Cross Beam 2	4	
E	P000601206	Slant Beam	4	
F	P005800001	Hook	1	
G	P005600280	Corner Decor	4	
H	P000501030	Top Connector	1	
I	P000501029	Beam Connector	4	
J	P005000348	Corner Support	8	
K	P001100482	Canopy	1	

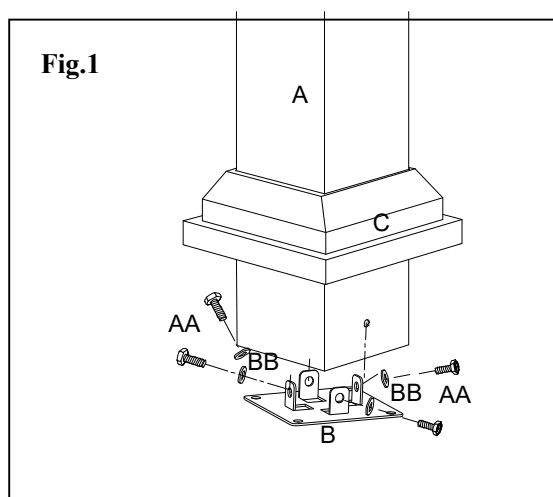
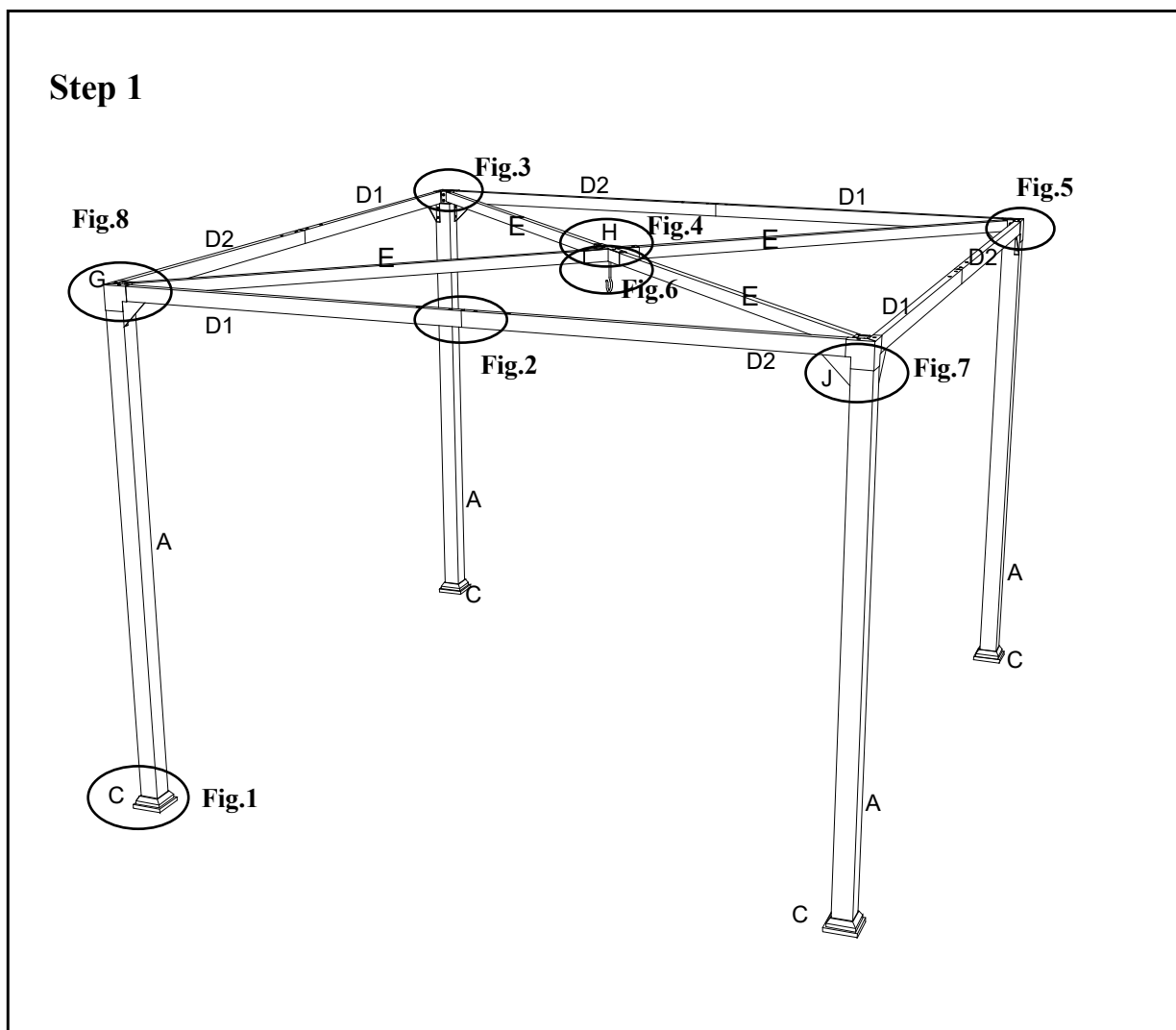
Country of Origin: China

## Hardware Pack 1

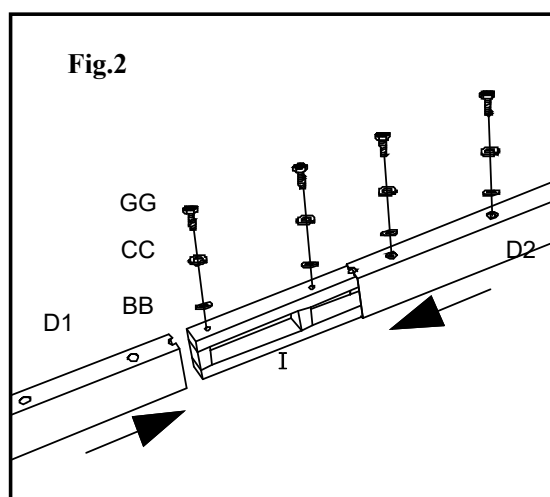
Label	Part#	Description	Qty	Image
AA	H010020012	M6X20 Bolt	48 PCS	
BB	H050010023	M6 Washer	112PCS	
CC	H050020017	M6 Spring Washer	72PCS	
GG	H010020011	M6X15 Bolt	16PCS	
HH	H010020001	M6X15 Bolt	32PCS	
II	H010020031	M6X20 Bolt	16PCS	
Z	H090010009	M6 Wrench	1 PC	

Country of Origin: China

## Step 1

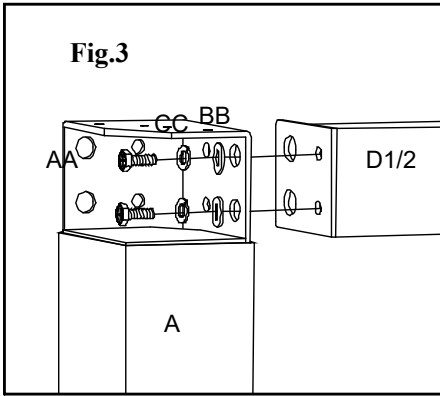


**Fig.1:** Insert Base Cover (C) into Post (A), then fixed Base (B) to bottom of Post (A) by bolt (AA) and Washer (BB)

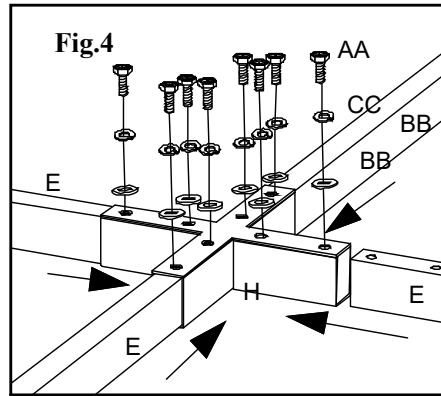


**Fig.2:** Attached Cross Beam1 (D1) and Cross Beam 2 (D2) to Beam Connector (I) by Bolt (GG), Spring Washer (CC) and Washer (BB). Plea.

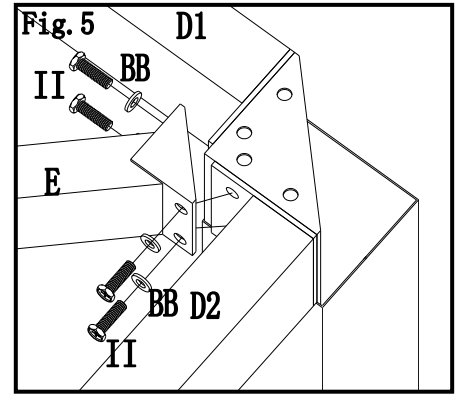
Country of Origin: China



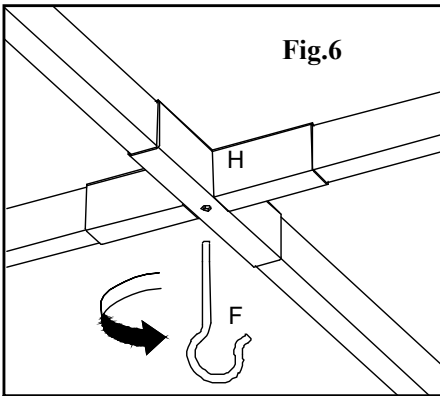
**Fig.3:** Attached Cross Beam 1/2 (D1/2) to Post (A) by Bolt (AA), Spring Washer (CC) and Washer (BB). Plea.



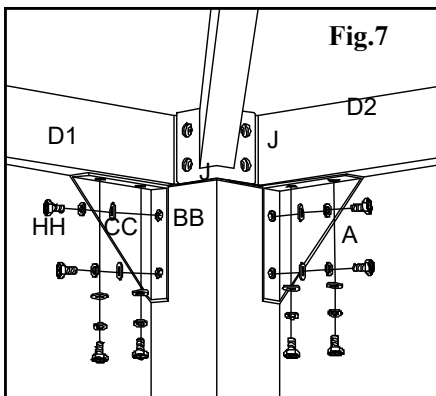
**Fig.4:** Attached the Slant Beam(E) to Top Connector (H), fixed them by Bolt (AA), Spring Washer (CC) and Washer (BB), do not lock them tight.



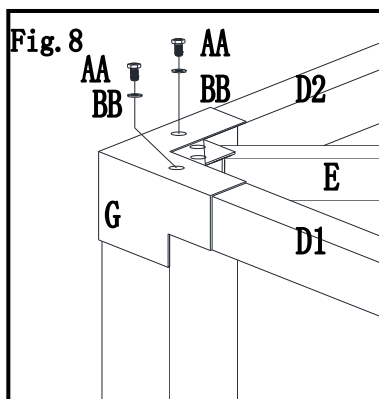
**Fig.5:** Fix the assembled inclined beam(E) to the column with bolt (II), washer(BB) and cross beam(D1, D2)



**Fig.6:** Attached Hook (F) to Top Connector (H).

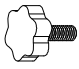



**Fig.7:** Attached Corner Support (J) to Post (A) and Cross Beam 1/2 (D1/2) by Bolt (HH), Spring Washer (CC) and Washer (BB). Plea.

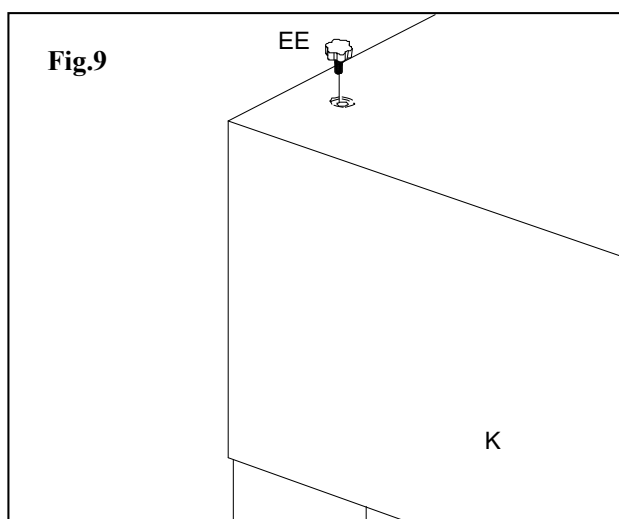
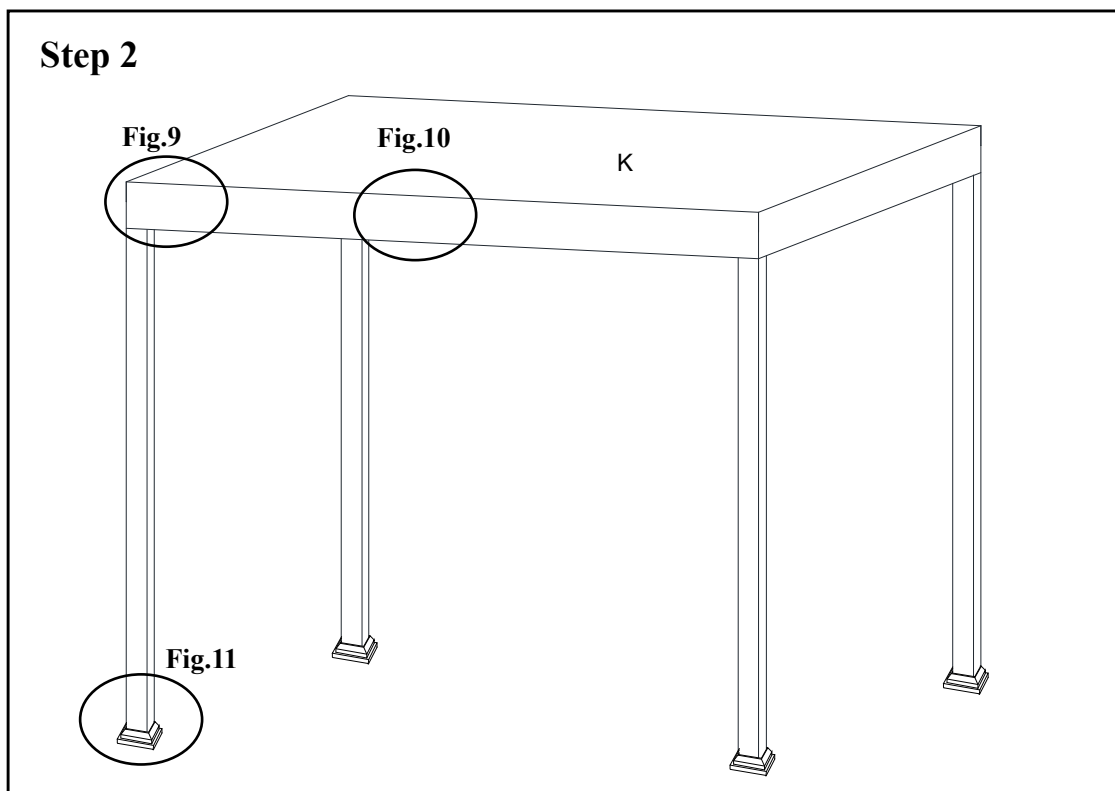


**Fig.8:** Fix the Corner Decor(G) with bolt (AA) gasket(BB) to the corner position.

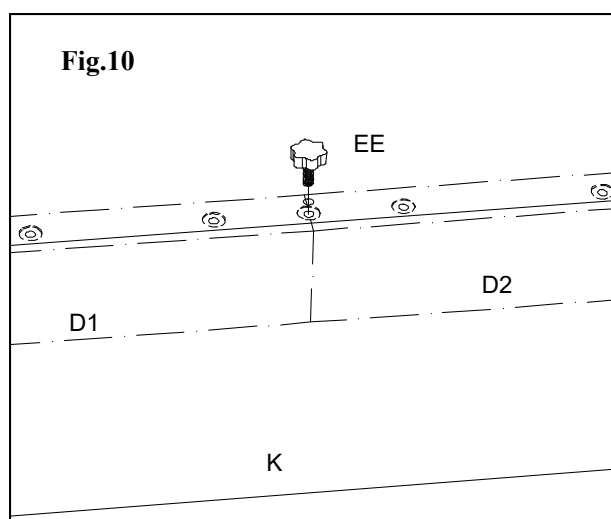
## Hardware Pack 2

Label	Part#	Description	Qty	Image
EE	P005100242	M6 Plum Knob	8PCS	
DD	H070010008	Φ6*230 floor stake	8PCS	

### Step 2

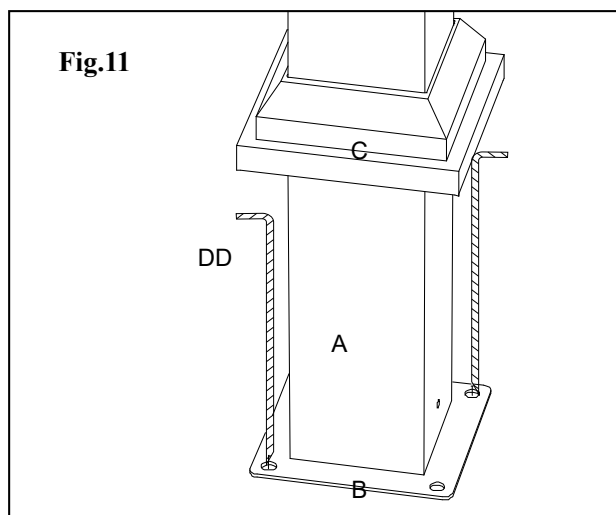


**Fig.9:** Spread the Canopy (I) to pergola top, then fixed each corner by Plum Knob (EE)



**Fig.10:** Fix the Middle of the Cross Beam by Plum Knob (EE)

Country of Origin: China



**Fig.11:** Attach the assembled pergola to lawn with Stake (DD).

## Care and Maintenance

- Our steel components for garden accessories and furniture are treated with rust inhibiting paint that protects it from rusting. However, due to the nature of steel, surface oxidation (rusting) will occur once these protective coatings are scratched. This is not a defect and thus not covered by the warranty.
- To minimize this condition, we recommend care when assembling & handling the product to prevent scratching the paint. Should any scratching or damage occur, we recommend immediate touch-up with rust inhibiting paint.
- Surface rust can also be easily removed with a very light application of common cooking oil. If surface oxidation (rusting) occurs and if no measure is taken to prevent this, the oxidation may start dripping on to deck or patio and caused damaging stains, which may be difficult to remove. This can be prevented if the above-mentioned measures are taken to keep the product from oxidizing.
- Use damp cloth to wipe off the stains as quickly as possible.
- If necessary, wash with a mild solution of soap and water; rinse thoroughly and dry completely.
- Periodically check and ensure that all bolts are well-tighten during use

## Limited Manufacturer's Warranty

Sunjoy Group warrants to the original purchaser that this item is free from defects in workmanship and materials for a period of **1 year** from the date of purchase, provided the item was factory-sealed at the time of purchase and is maintained with care and used only for personal, residential purposes. Should any manufacturing defect arise within this warranty period, Sunjoy Group will replace (at our option) any defective merchandise or parts upon proof of purchase; however, transportation and delivery costs, as well as payments to a third party for assembly or disassembly of the item, remain the responsibility of the purchaser. A purchaser of an "open box," previously-returned, or "clearance" item, as well as original purchasers outside of the warranty period, may obtain replacement parts from Sunjoy Group for products in current production, at nominal cost.

## Exclusions:

Items used for commercial, contract, or other non-residential purposes, or items damaged due to acts of nature, vandalism, misuse, or improper assembly are not covered. Corrosion or rusting of hardware is not covered. Proof of purchase (dated register receipt) is required for warranty claims. Warranty is to the original purchaser and is non-transferable. Any replacement of warranted items will be in the original style and color, or a similar style and color if the original is unavailable or has been discontinued. As some states do not allow exclusions or limitations on an implied warranty, the above exclusions and limitations may not apply. This warranty gives you specific rights, and you may also have other rights, which vary from state to state.

**Country of Origin: China**