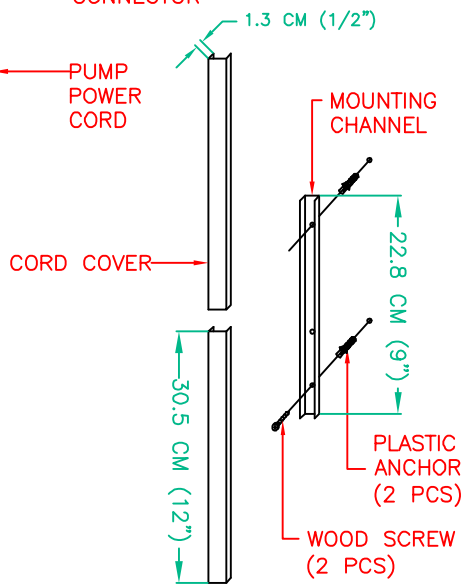


**FRONT VIEW**

**BACK VIEW**

**AVAILABLE PARTS ARE:**  
 PUMP1400 (PUMP)  
 LTAS2001 (BULB)



**KENROY HOME**  
 3723 Regent Boulevard  
 JACKSONVILLE, FL. 32224  
 PHONE: 904-642-4340  
 FAX: 904-642-4150

THIS DOCUMENT AND THE INFORMATION THAT IT DISCLOSES IS THE EXCLUSIVE PROPERTY OF KENROY HOME. ANY REPRODUCTION OR USE OF THIS DRAWING IN PART OR IN WHOLE, WITHOUT THE EXPRESS CONSENT OF THE PROPRIETOR IS PROHIBITED. © 2018 KENROY HOME.

DATE: 1/16/2018      SCALE: NONE      DRAWN BY: ARVIN

REFERENCE: RIVERBED TABLE/WALL FOUNTAIN      APPROVAL:

REVISION DATE:  
 REVISION DATE:  
 REVISION DATE:  
 REVISION DATE:

MODEL #: 51027SLCOP

FINISHES: NATURAL GREEN SLATE AND COPPER

PAGE: 1 OF 2

## PRODUCT SPECIFICATIONS

### OVERALL ASSEMBLED DIMENSIONS

HEIGHT: 63.5 CM (25"), WIDTH: 29.2 CM (11-1/2"), EXTENSION: 12 CM (4-3/4").

PUMP: UL LISTED. 120V, 60HZ, 5 WATT. MODEL: YH-400MIX, SUBMERSIBLE FOUNTAIN PUMP, FLOW RATE: 105 GPH. HEAD: 110 CM (43-1/4") HEIGHT.

1 LIGHT: UL LISTED. 2 WATT, SUBMERSIBLE LED FINGER BULB. WITH WATERPROOF ROCKER SWITCH.

TRANSFORMER: UL LISTED. 12 V, 200MA, MODEL: GP-SW120DC0200-IP44(US) A, CLASS 2 TRANSFORMER, INPUT: 120V, 60HZ. OUTPUT: 12V, 2.4 WATT. UL: E334265.

LID: PAINTED RESIN IN COPPER FINISH, 29.2 CM (11-1/2") WIDTH x 11.8 CM (4-5/8") EXTENSION x 5.7 CM (2-1/4") HEIGHT. WEIGHT: 1.76 LBS.

FOUNTAIN BODY: NATURAL RUSTY GREEN SLATE, 26.3 CM (10-3/8") WIDTH x 3.8 CM (1-1/2") EXTENSION x 55.2 CM (21-3/4") HEIGHT, SHAPED AS SHOWN.

BASIN: PAINTED RESIN IN COPPER FINISH, 29.2 CM (11-1/2") WIDTH x 12 CM (4-3/4") EXTENSION x 11.7 CM (4-5/8") HEIGHT. WEIGHT: 3.52 LBS.

PUMP POWER CORD: UL LISTED, FROM PUMP TO PLUG: MIN. 3.3 M (11 FEET) LENGTH. 18 AWG., 3 CONDUCTORS, 105°C, TYPE SJTW, WATER PROOF. BLACK COLOR. COPPER MATERIAL. WIRES MUST BE LEAD FREE. COMES WITH MATCHING CORD COVER. CORD COVERS AND CHANNEL ARE PAINED AS COPPER FINISH.

DECORATIVE RIVER STONES: A BAG OF RIVER STONES (2-3 CM, 1.8 LBS.) ARE INCLUDED.

LABELS: MANUFACTURING DATE, MODEL # AND COUNTRY OF ORIGIN LABEL PROVIDED. WARNING LABEL FOR PARTS AND PARTS ARROW LABEL WERE STUCK ON INSIDE OF BOX.

### PACKAGING AND SHIPPING DETAILS

THE LID AND BASIN WERE KD FROM FOUNTAIN BODY FOR SHIPPING, EACH PART IS CAREFULLY WRAPPED IN A PLASTIC BAG AND PLACED SECURELY IN THE INNER PACKING SO THEY CAN NOT MOVE DURING SHIPPING.

THE CARTON IS MADE OF DOUBLE WALL CORRUGATED CARDBOARD "K MA A". BROWN IN COLOR. THE INNER PACKING IS DIE-CUT CARDBOARD AND/OR STYROFOAM SUFFICIENT TO PROTECT AND SECURE THE FOUNTAIN AND MUST PASS THE FEDEX AND ISTA-3A DROP TEST REQUIREMENTS.

EACH CARTON SHALL BE PRINTED WITH A LINE DRAWING AND THE KENROY HOME NAME, LOGO AND CUSTOMER SERVICE PHONE NUMBER (FOUNTAIN HELP LINE - 904.642.4340), MODEL NUMBER FINISH, EACH CARTON SHALL BE PROVIDED A UPC LABEL. THE UPC BAR CODE AS FOLLOWS: 053392984113.

### OTHER DETAILS

MODEL 51027SLCOP INSTRUCTIONS ARE TO BE PACKED WITH EACH FOUNTAIN. INSTRUCTIONS MUST BE PRINTED CLEARLY ON QUALITY PAPER.

ALL VISIBLE RESIN PARTS MUST MATCH FOUNTAIN FINISH UNLESS OTHERWISE SPECIFIED.

ALL BAGS MUST BE LABELED WITH OFFICIAL "THIS BAG IS NOT A TOY" STATEMENT.

ASSEMBLY TIME: 20 MINUTES.

DIMS OF BOX: 80 CM (31-1/2") LENGTH x 21 CM (8-1/4") WIDTH x 39.4 CM (15-1/2") HEIGHT. (CUFT.: 2.33')

NET WEIGHT: 20.4 LBS. GROSS WEIGHT: 27.3 LBS.

THIS FOUNTAIN IS RATED FOR INDOOR AND OUTDOOR USE.

<b>KENROY HOME</b> 3723 Regent Boulevard JACKSONVILLE, FL. 32224 PHONE: 904-642-4340 FAX: 904-642-4150	THIS DOCUMENT AND THE INFORMATION THAT IT DISCLOSES IS THE EXCLUSIVE PROPERTY OF KENROY HOME. ANY REPRODUCTION OR USE OF THIS DRAWING IN PART OR IN WHOLE, WITHOUT THE EXPRESS CONSENT OF THE PROPRIETOR IS PROHIBITED. © 2018 KENROY HOME.			REVISION DATE:	MODEL #:
	DATE: 1/16/2018	SCALE: NONE	DRAWN BY: ARVIN	REVISION DATE:	51027SLCOP
	REFERENCE: RIVERBED TABLE/WALL FOUNTAIN		APPROVAL:	REVISION DATE:	FINISHES: NATURAL GREEN SLATE AND COPPER
				REVISION DATE:	PAGE: 2 OF 2