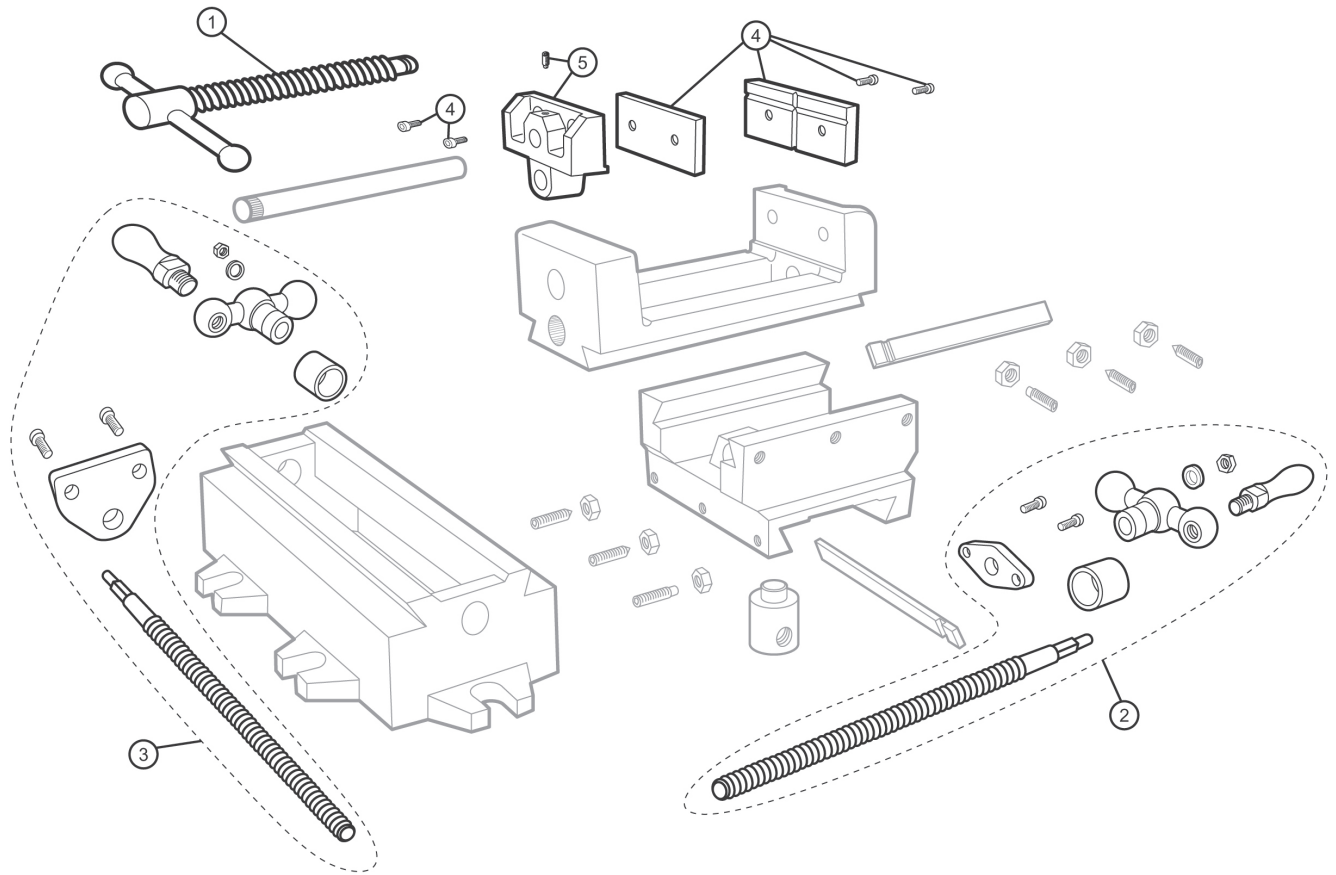




6" Cross Slide Drill Press Vise - Parts Diagram

6"Jaw Width, 6"Jaw Opening, 2" Jaw Depth

Stock #: 11696 Model #: CS6



#	Part	Description
1	11696-01	Handle & Spindle Assembly - 1
2	11696-02	Handle & Spindle Assembly - 2
3	11696-03	Handle & Spindle Assembly - 3
4	11696-04	Jaw Insert Assembly
5	11696-05	Moveable Jaw with Screw

WILTON

427 New Sanford Road
 LaVergne, Tennessee 37086
 Ph.: 800-274-6848
 www.wilfontools.com

Part No. M-11696

Revision B 08/2014

Copyright © 2014 WILTON, a Division of JPW Industries, Inc.