

# DW80M2020US

SAMSUNG

## Samsung Dishwasher



### Signature Features

#### Stainless Steel Interior Door

- The interior door is covered with stainless steel that's more durable, hygienic, and quieter.\*

#### Height-Adjustable Upper Rack

- Easily fit dish ware of various shapes and sizes.

#### Digital Water Leakage Sensor

- Identifies leaks as small as 2.4 ounces and shuts itself off before water can escape.

\*Than similar competitors models.

### Available Color



Stainless Steel



Stainless Steel Interior Door



Height-Adjustable Upper Rack

### Features

- Fully Integrated Top Control
- Advanced Wash System
- ENERGY STAR® rated: 249 kWh/Year
- Touch Control
- 4 Wash Cycles
- 5 Options
- 14 Place Settings

### Convenience

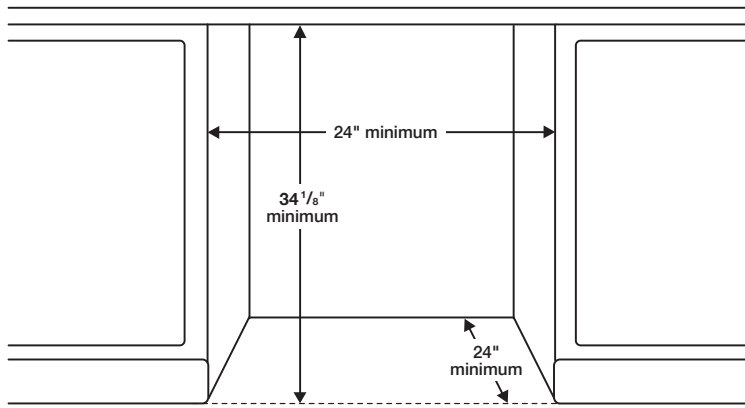
- Child Lock
- Delay Start
- Height-Adjustable Upper Rack

# DW80M2020US

# SAMSUNG

## Samsung Dishwasher

### Installation Specifications



### Features

- 4 Wash Cycles: Auto, Normal, Heavy, Express 60
- 5 Options: Hi-Temp Wash, Sanitize (Anti-bacterial – NSF), Delay Start, Child Lock, Heated Dry

### Convenience

- Child Lock
- Digital Water Leakage Sensor
- Height-Adjustable Upper Rack
- Polypropylene Racking
- Upper Rack: 2 Cup Shelves
- Silverware Basket

### Warranty

One (1) Year All Parts and Labor

Five (5) Year Limited on Printed Circuit Board and Interior Nylon Racks

### Product Dimensions & Weight (WxHxD)

Dimensions:

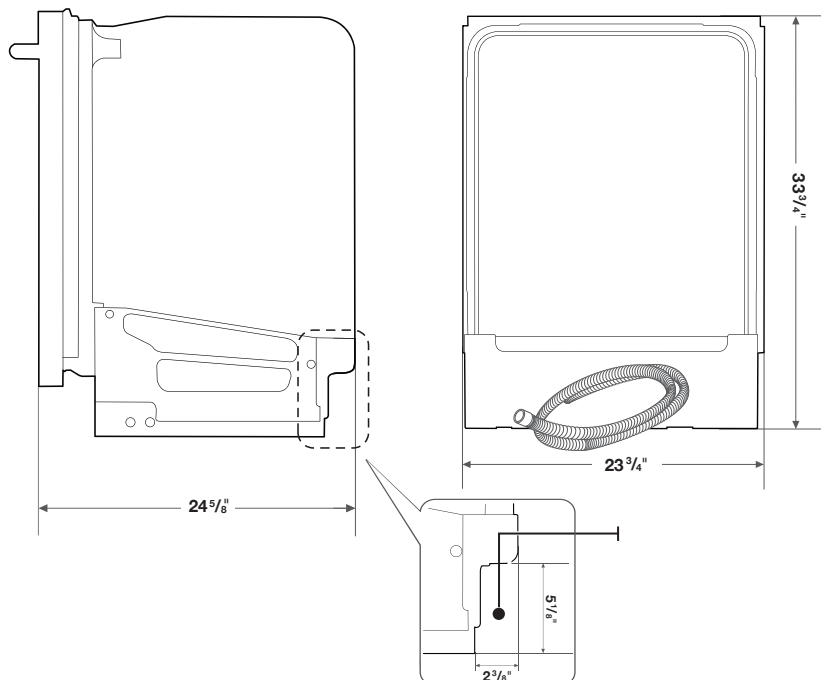
23<sup>3</sup>/<sub>4</sub>" x 33<sup>3</sup>/<sub>4</sub>" x 24<sup>5</sup>/<sub>8</sub>"

Weight: 62.9 lbs.

### Dimensions

Side View

Rear View



### Shipping Dimensions & Weight (WxHxD)

Dimensions:

26<sup>1</sup>/<sub>2</sub>" x 35" x 29<sup>1</sup>/<sub>2</sub>"

Weight: 78 lbs.

### Color

Stainless Steel

### Model #

DW80M2020US

### UPC Code

887276196381