



CHANGING YOUR LANDSCAPE SINCE 1945

swisherinc.com

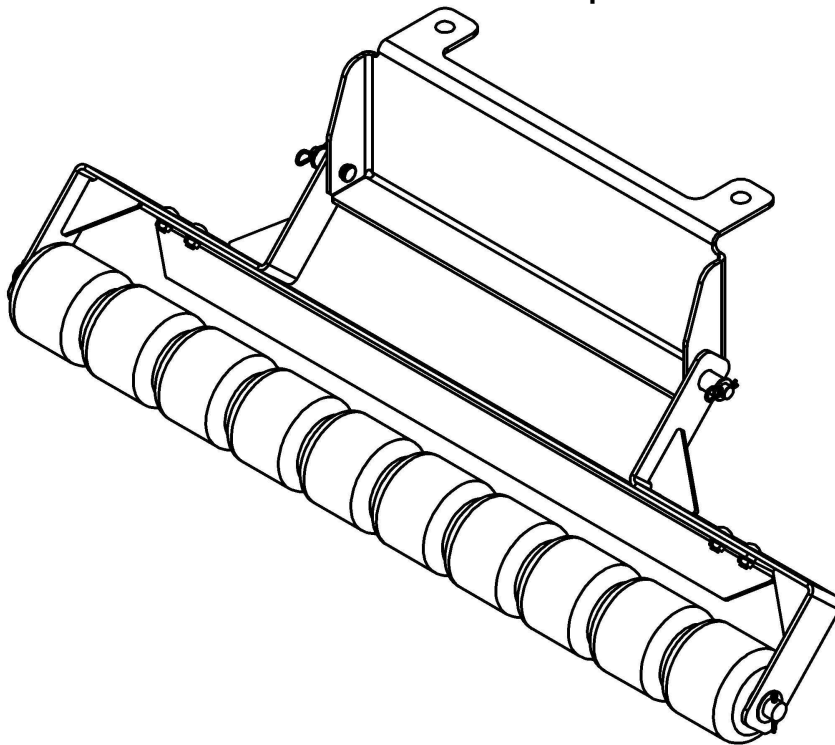
OWNER'S MANUAL

21180

Starting Serial #: L218-001001

38" Response Striper Wheel Kit

Fits All Swisher Mid-Mount Response ZTR Models



IMPORTANT
Read and follow all
Safety Precautions
and Instructions
Before Operating this
Equipment.

SWISHER ACQUISITION INC.
1602 CORPORATE DRIVE, WARRENSBURG, MISSOURI 64093
PHONE 660-747-8183 FAX 660-747-8650

Made In The
USA
of US and Global Parts

LIMITED WARRANTY

The manufacturer's warranty to the original consumer purchaser is: This product is free from defects in materials and workmanship for a period of ninety (90) days from the date of purchase by the original consumer purchaser. We will repair or replace, at our discretion, parts found to be defective due to materials or workmanship. This warranty is subject to the following limitations and exclusions:

1. **Limitation** This warranty applies only to products which have been properly assembled, adjusted, and operated in accordance with the instructions contained within this manual. This warranty does not apply to any product of Swisher that has been subject to alteration, misuse, abuse, improper assembly or installation, shipping damage, or to normal wear of product.
2. **Exclusions** Excluded from this warranty are normal wear, normal adjustments, and normal maintenance.

In the event you have a claim under this warranty, you must return the product to an authorized service dealer. All transportation charges, damage, or loss incurred during transportation of parts submitted for replacement or repair under this warranty shall be borne by the purchaser. Should you have any questions concerning this warranty, please contact us toll-free at 1-800-222-8183. The model number, serial number, date of purchase, and the name of the authorized Swisher dealer from whom you purchased the product will be needed before any warranty claim can be processed.

THIS WARRANTY DOES NOT APPLY TO ANY INCIDENTAL OR CONSEQUENTIAL DAMAGES AND ANY IMPLIED WARRANTIES ARE LIMITED TO THE SAME TIME PERIODS STATED HEREIN FOR ALL EXPRESSED WARRANTIES. Some states do not allow the limitation of consequential damages or limitations on how long an implied warranty may last, so the above limitations or exclusions may not apply to you. This warranty gives you specific legal rights and you may have other rights, which vary from state-to-state. This is a limited warranty as defined by the Magnuson-Moss Act of 1975.

SAFETY PRECAUTIONS



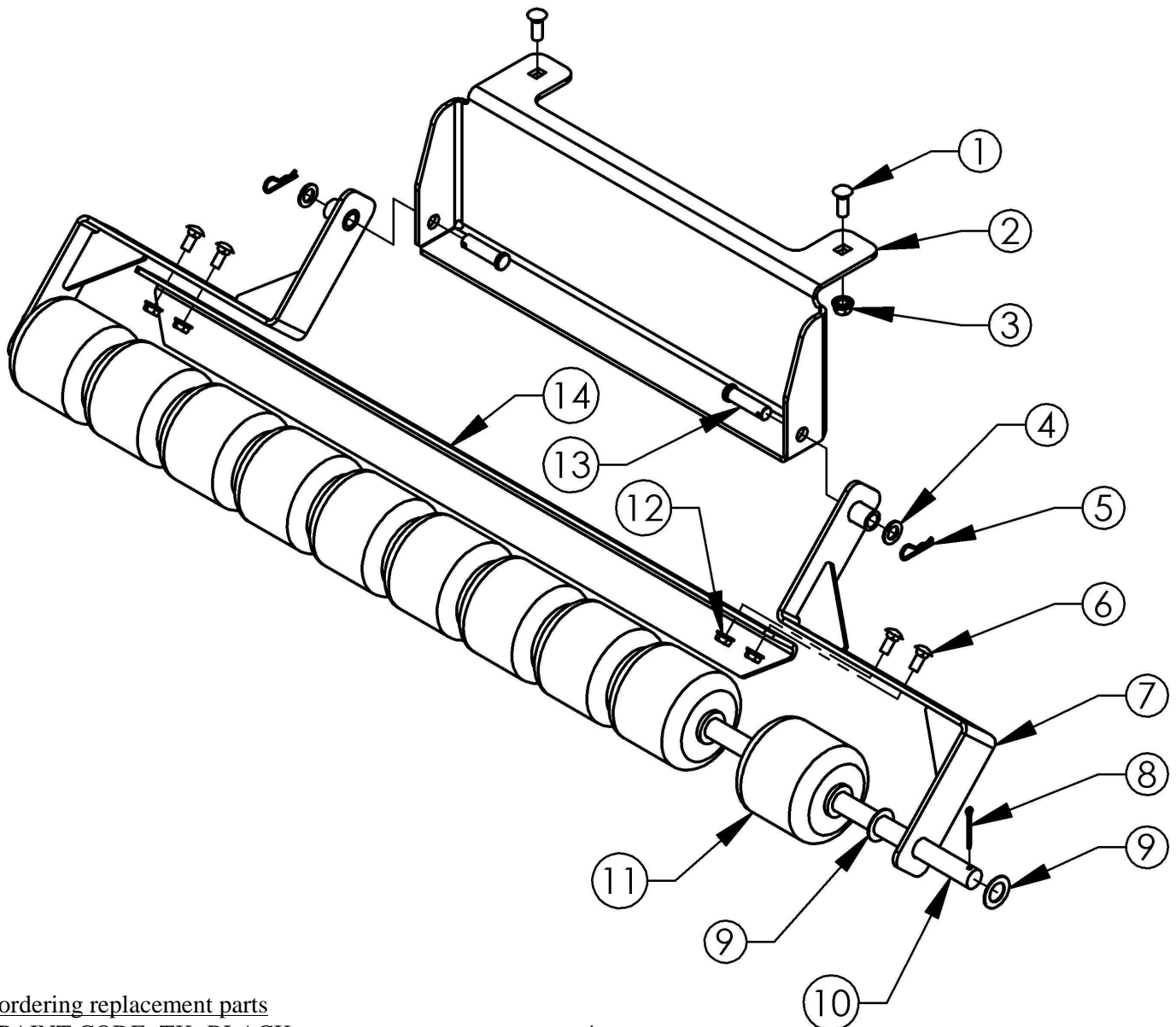
This Safety Alert Symbol indicates important messages in this manual. When you see this symbol, carefully read the message that follows and be alert to the possibility of personal injury.

- Read the manual. Learn to operate this machine safely.
- Check for clearance before using a trailer. Depending on the trailer, it may be necessary to pull the two pins to remove the Pivot Assembly.
- Use caution when backing up.
- Allow only responsible adults who are familiar with these instructions to operate this machine. Never allow children to operate this machine.
- Be sure the area is clear of other people before operating. Children are often attracted to the machine and the operating activity. ***Never assume that children will remain where you last saw them.*** Keep children under the watchful care of another responsible adult.
- Watch for traffic when operating near or crossing roadways.
- Do not operate the attachment if it has been dropped or damaged in any manner. Repair as necessary.
- Dress properly. Do not operate when barefoot or wearing open sandals.
- Do not operate the machine while under the influence of alcohol or drugs.
- Never tamper with safety devices. Check their proper operation regularly.
- Operate attachments up and down slopes. There is significant risk of overturns when operating across slopes.
- Stop and inspect the equipment if you strike an object. Repair, if necessary, before restarting.
- Never make adjustments or repairs with the engine running.
- Some components are heavy and may require help when lifting, especially once the parts are assembled.

Unpack your 21180 kit and become familiar with each component. Ensure that the correct quantity of each component noted in the parts list is present. Contact customer service if any components are missing (1-800-222-8183). Read the installation instructions thoroughly before you begin.

PARTS DETAIL

Item #	Part #	Description	Qty
1	10503	Bolt - Carriage 3/8-16 X 1	2
2	21172*	Weldment - Striper Mount Bracket	1
3	NB779	Nut - Serr Flange, Hex	2
4	NB177	Washer - Mach 1/2	2
5	NB127	Pin - Hair, #39	2
6	10216	Bolt - Carriage 5/16-18 X 3/4	4
7	21173*	Weldment - Striper Pivot Bracket	2
8	19035	Pin - Cotter, 1/8 X 1-1/4	2
9	NB179	Washer - 3/4ID X 1 1/4OD 18 GA	4
10	21178Z	Axle - Striper ZP	1
11	21179	Wheel - Striper 3.8OD X .765ID X 3.8	10
12	NB170	Nut - Serr Flange 5/16-18	4
13	18602	Pin - Clevis 1/2" OD x 1-33/64"	2
14	21177*	Bracket - Striper Support	1

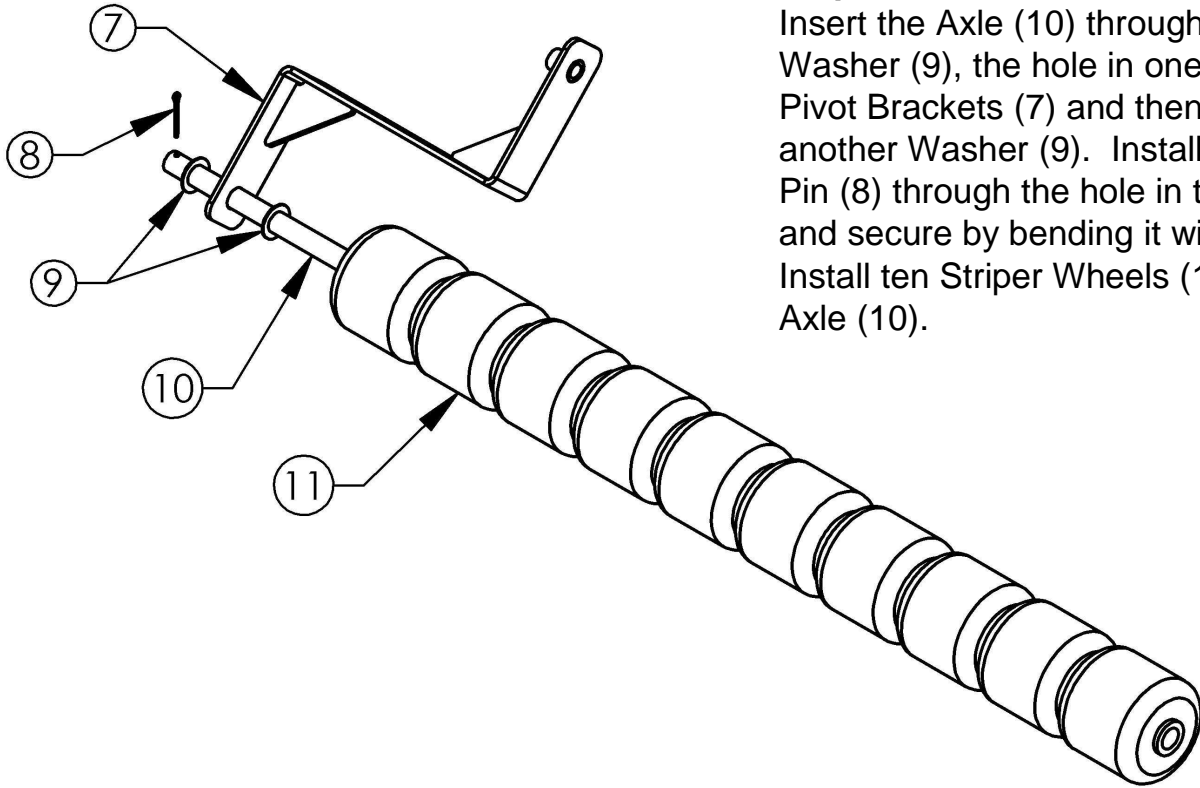


When ordering replacement parts
 *USE PAINT CODE: TK=BLACK

ASSEMBLY INSTRUCTIONS

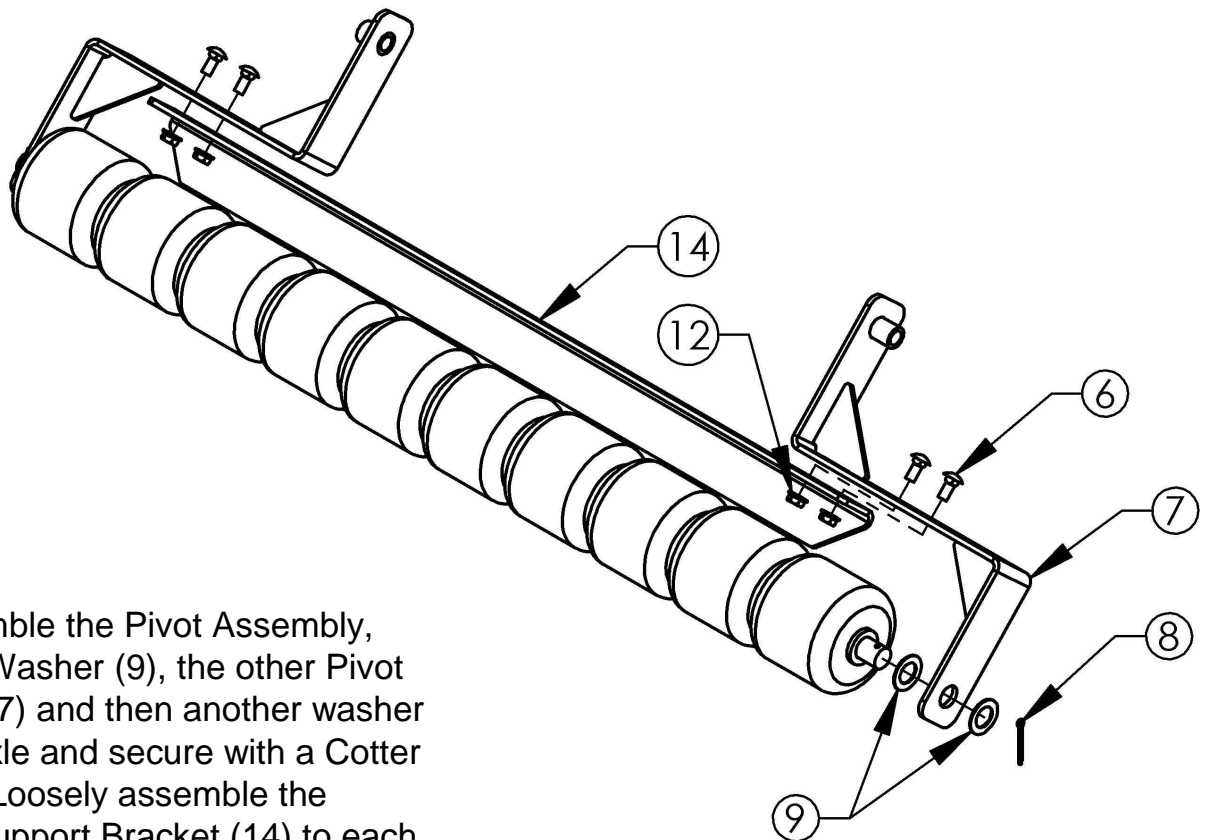
Step 1:

Insert the Axle (10) through one Washer (9), the hole in one of the Pivot Brackets (7) and then through another Washer (9). Install a Cotter Pin (8) through the hole in the Axle and secure by bending it with pliers. Install ten Striper Wheels (11) on the Axle (10).

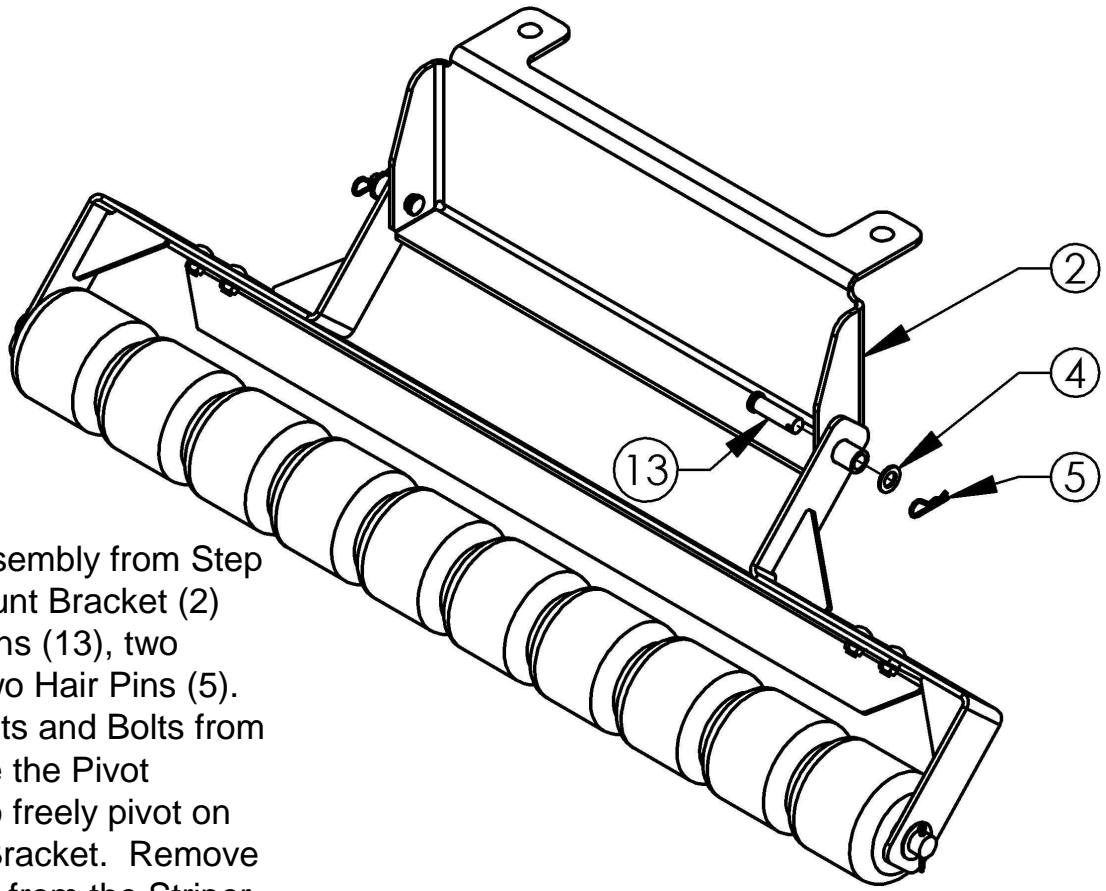


Step 2:

To assemble the Pivot Assembly, install a Washer (9), the other Pivot Bracket (7) and then another washer on the Axle and secure with a Cotter Pin (8). Loosely assemble the Striper Support Bracket (14) to each Pivot Bracket (7) using four Bolts (6) and four Nuts (12). These four Nuts and Bolts will be tightened in the next step.



ASSEMBLY INSTRUCTIONS

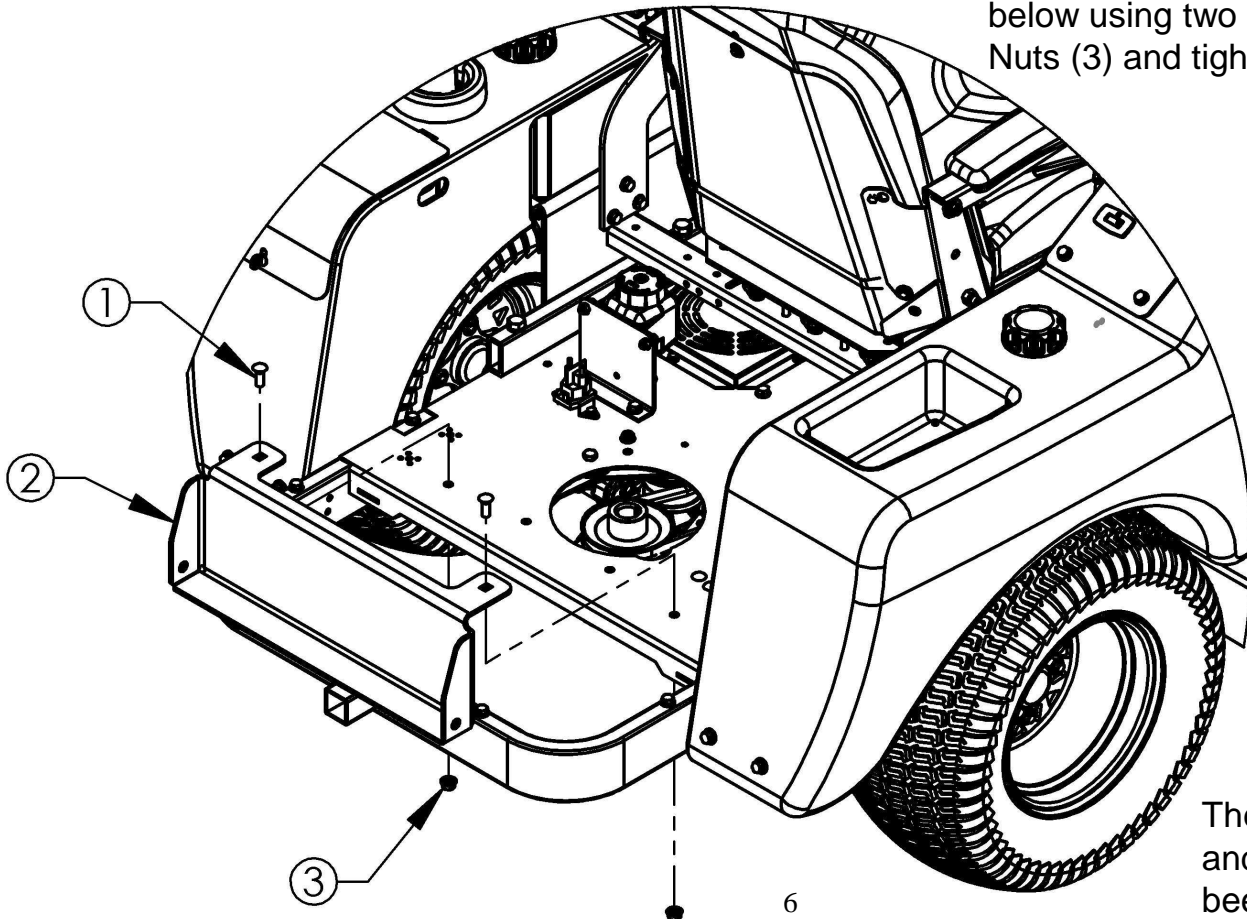


Step 3:

Install the Pivot Assembly from Step 2 to the Striper Mount Bracket (2) using two Clevis Pins (13), two Washers (4) and two Hair Pins (5). Tighten the four Nuts and Bolts from Step 2 making sure the Pivot Assembly is able to freely pivot on the Striper Mount Bracket. Remove the Pivot Assembly from the Striper Mount Bracket for the next Step.

Step 4:

Install the Striper Mount Bracket (2) to your Mid-Mount Response ZTR through the two holes indicated below using two Bolts (1) and two Nuts (3) and tighten securely.

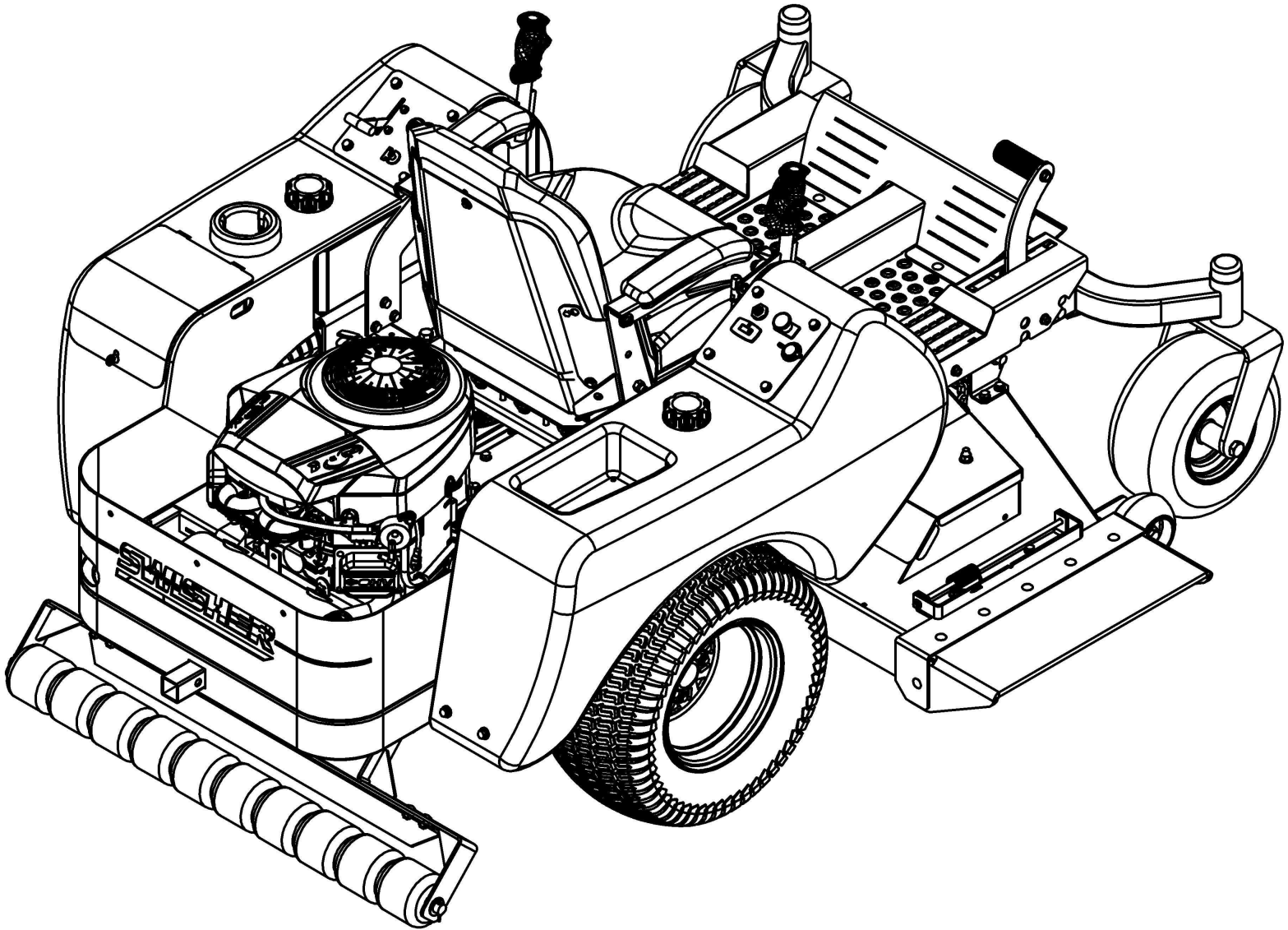


The Engine, Muffler and Rear Wrap have been hidden for clarity.

ASSEMBLY INSTRUCTIONS

Step 5:

Refer to Step 3 to reinstall the Pivot Assembly to the Striper Mount Bracket.



Striping Your Lawn:

Striping is a way to add visual effects to your property's landscape. Stripes are made when grass leans in different directions and reflects light differently. The Swisher Striper Wheel Kit is engineered to follow the contour of the ground using the weighted wheels to bend the blades of grass in the direction of your mowing pattern.

For high contrast stripes you should mow in opposite directions on each pass. Your pattern design can be long stripes that are diagonal, parallel or perpendicular to the road, crisscrossed diamond or checkered, waves etc.

There are some factors that will effect how well the striping will stand out such as the height of the grass and the grass type. Longer blades of grass are easier to bend over than shorter grass and will have higher contrast striping. Some grass breeds are stiffer and do not bend easily.



CHANGING YOUR LANDSCAPE SINCE 1945

swisherinc.com

OWNER'S MANUAL

21180

38" Response Striper Wheel Kit

Fits All Swisher Mid-Mount Response ZTR Models

WHEN ORDERING PARTS, PLEASE HAVE THE
FOLLOWING INFORMATION AVAILABLE:

- * PRODUCT - _____
- * SERIAL NUMBER - _____
- * MODEL NUMBER - _____
TYPE - _____
- * PART NUMBER WITH PAINT CODE
* PART DESCRIPTION

TELEPHONE - 1-800-222-8183

FAX - 1-660-747-8650

SWISHER ACQUISITION INC.
1602 CORPORATE DRIVE, WARRENSBURG, MISSOURI 64093
PHONE 660-747-8183 FAX 660-747-8650

Made In The
USA
of US and Global Parts