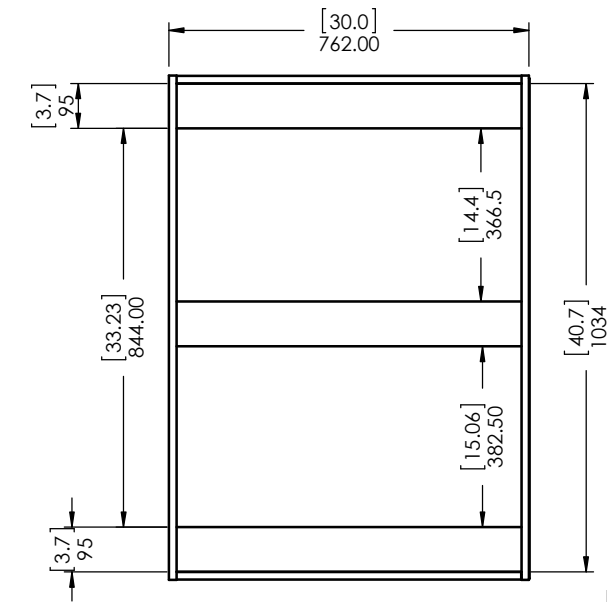
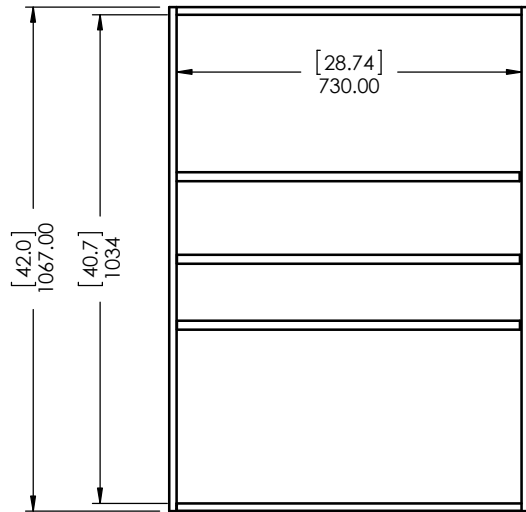


Item ID	Shelf Thickness mm (in)	Depth "X"
BT3042W-BT	19 (.75)	12.6
BT3042W-WH	19 (.75)	12.5
CM3042W-DK	19 (.75)	12.6
CM3042W-WH	15 (.59)	12.5

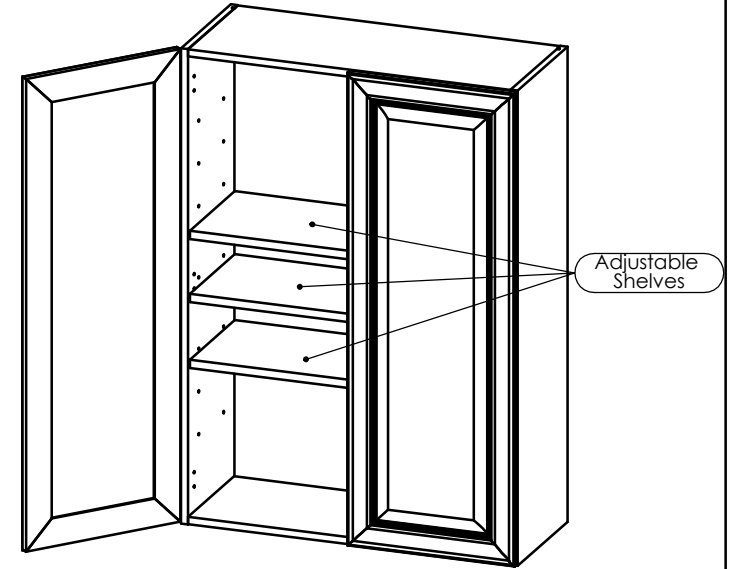
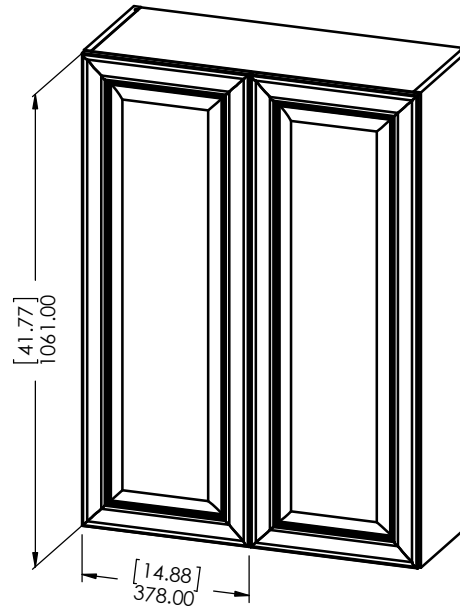
REV	ECO#	DESCRIPTION	REV'D BY DATE	CHK'D BY DATE	APRV'D BY DATE
0		New Release	ASG 9/22/17	ASG 9/22/17	ASG 9/22/17



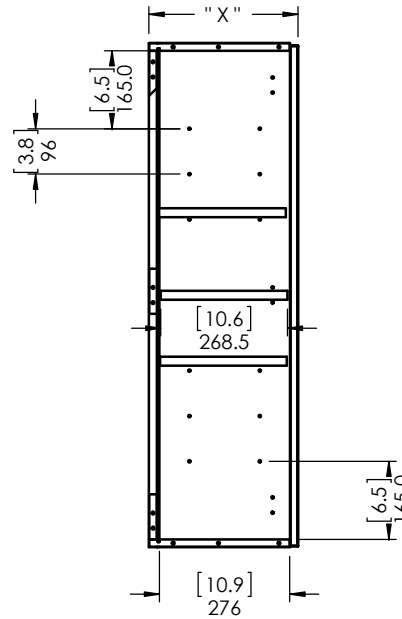
BACK VIEW



**Front View
(front door removed)**



ISOMETRIC VIEW



**Side View
(left panel removed)**

PROPRIETARY AND CONFIDENTIAL
THE INFORMATION CONTAINED IN THIS DRAWING IS THE SOLE PROPERTY OF WOODCRAFTERS HOME PRODUCTS L.L.C. ANY REPRODUCTION IN PART OR AS A WHOLE WITHOUT THE WRITTEN PERMISSION OF WOODCRAFTERS HOME PRODUCTS L.L.C. IS PROHIBITED.

UNLESS OTHERWISE SPECIFIED
DIMENSIONS ARE IN mm and [inches] AND TOLERANCES ARE +/- 0.5(0.02)

DRAWN BY:	A.Salinas	8/23/17
CHECKED BY:	A.Salinas	8/23/17
APPROVED BY:	A.Salinas	8/23/17
DO NOT SCALE DRAWING	SCALE: 1:20	SIZE: A

Wood Crafters
PART NO.: **Kitchen Wall Cabinet 30x42** SHEET 1 OF 1 REV: **0**