



Item #1003915246
Model #90254HWWS
Item #1003913061
Model #90255HWWS

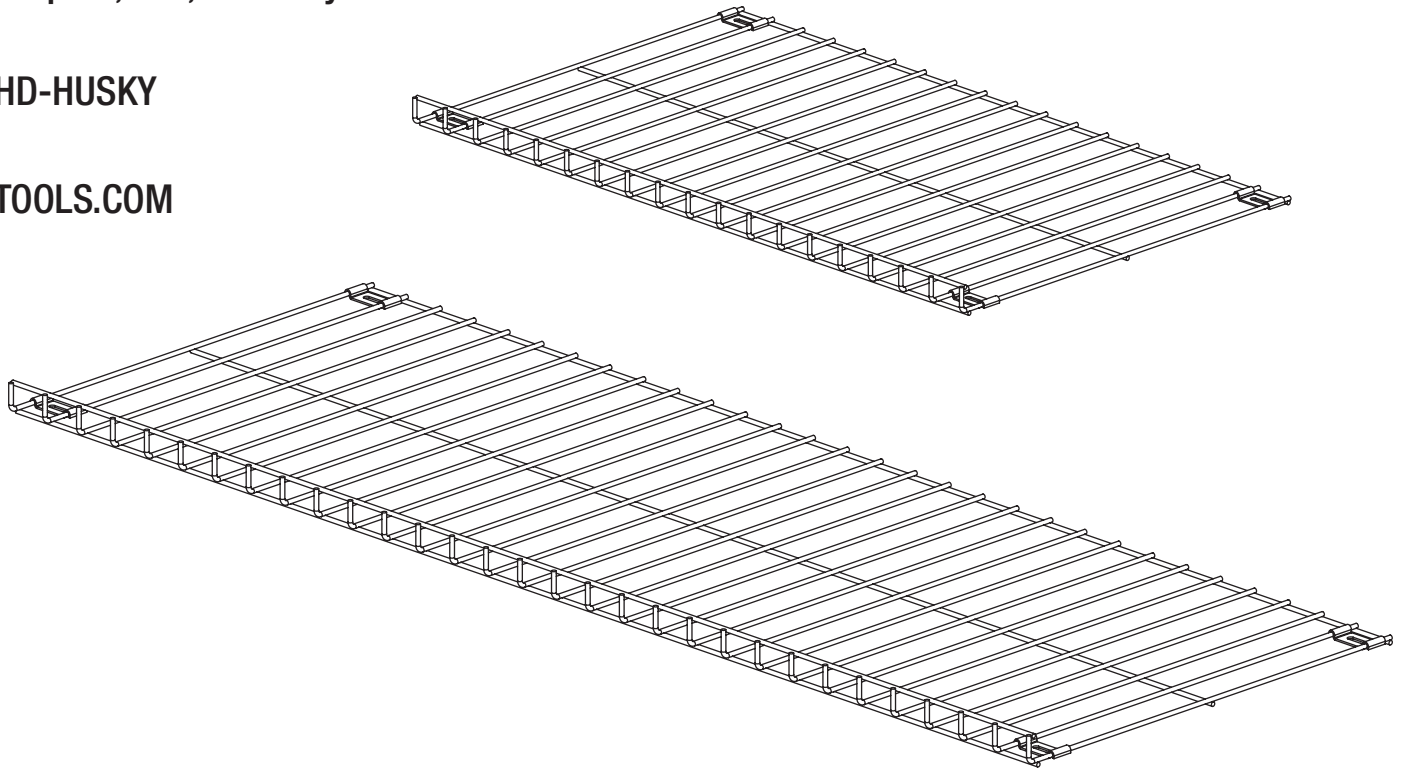
USE AND CARE GUIDE

28 IN. WIRE SHELF
48 IN. WIRE SHELF

Questions, problems, missing parts?
Before returning to the store, call
Husky Customer Service
8 a.m. - 7 p.m., EST, Monday - Friday
9 a.m. - 6 p.m., EST, Saturday

1-888-HD-HUSKY

HUSKYTOOLS.COM



THANK YOU

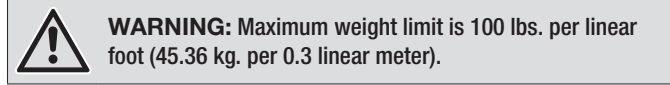
We appreciate the trust and confidence you have placed in Husky through the purchase of this wire shelf. We strive to continually create quality products designed to enhance your home. Visit us online to see our full line of products available for your home improvement needs. Thank you for choosing Husky!

Table of Contents

Table of Contents	2	Pre-Installation	3
Warranty	2	Installation	4

Safety Information

- Do not overload wire shelf with more than the recommended weight, there is risk of failure [Maximum weight limit is 100 lbs. per linear foot (45.36 kg. per 0.3 linear meter)].
- Make sure to install your wire shelf firmly and securely to the wall to prevent your storage items from slipping or falling.



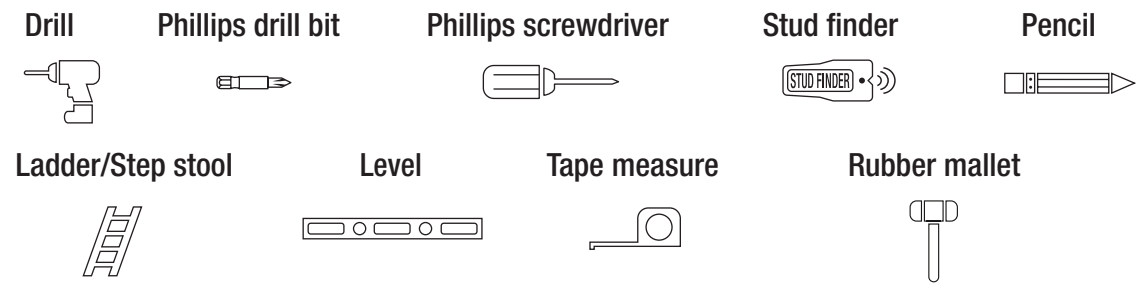
Warranty

LIFETIME WARRANTY

If your Husky product ever fails, bring it back and we will replace it free. This full warranty gives you specific rights, and you may also have other rights, which vary state to state. For details, visit your nearby store or call 1-888-HD-HUSKY.

Pre-Installation

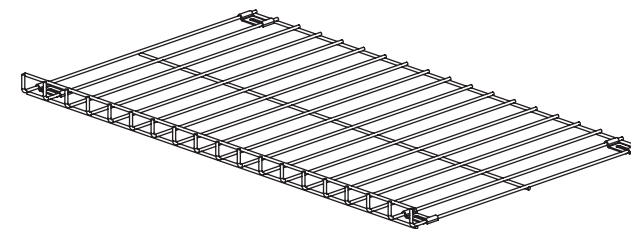
TOOLS REQUIRED



INSTALLATION HARDWARE INCLUDED FOR: 28 IN. WIRE SHELF & 48 IN. WIRE SHELF

COMPATIBLE WITH: HUSKY STANDARD SHELF BRACKET AND TOTE SHELF BRACKET

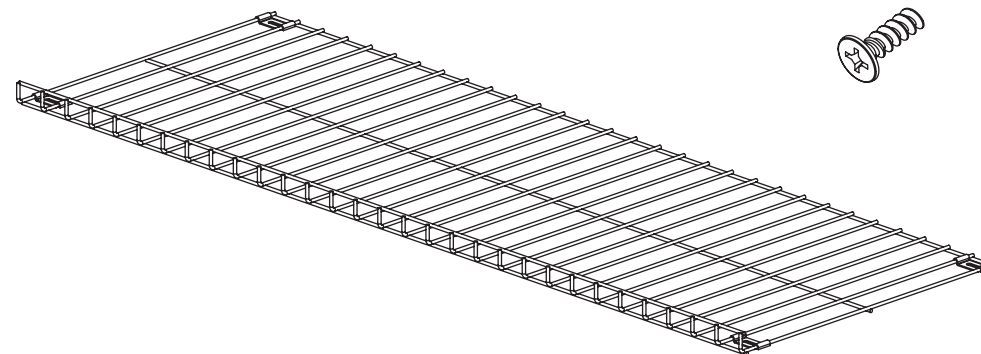
(AA) 28 IN. Wire Shelf



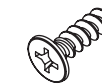
(CC) Screws



(BB) 48 IN. Wire Shelf



(CC) Screws

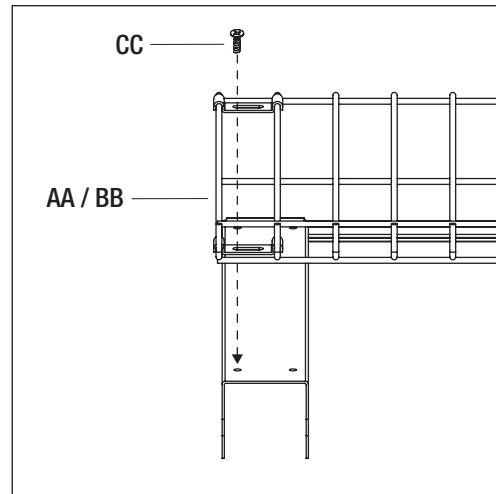


Part	Description	Quantity
AA	28 IN. Wire Shelf	X1
BB	48 IN. Wire Shelf	X1
CC	Screws (4 screws per each Wire Shelf Set)	X4

Installation

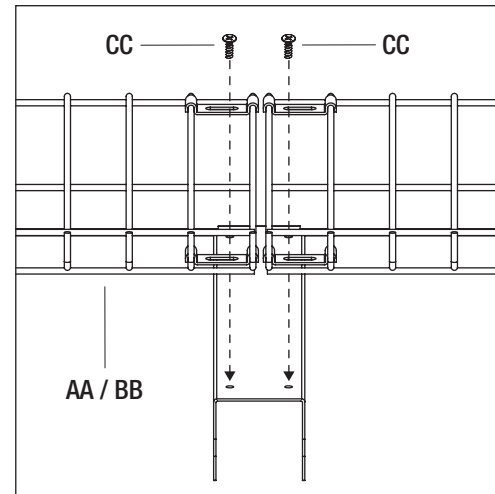
1a Determining Installation Method

- When installing a Single Shelf (AA/BB) on the Brackets, use the outside screw holes.



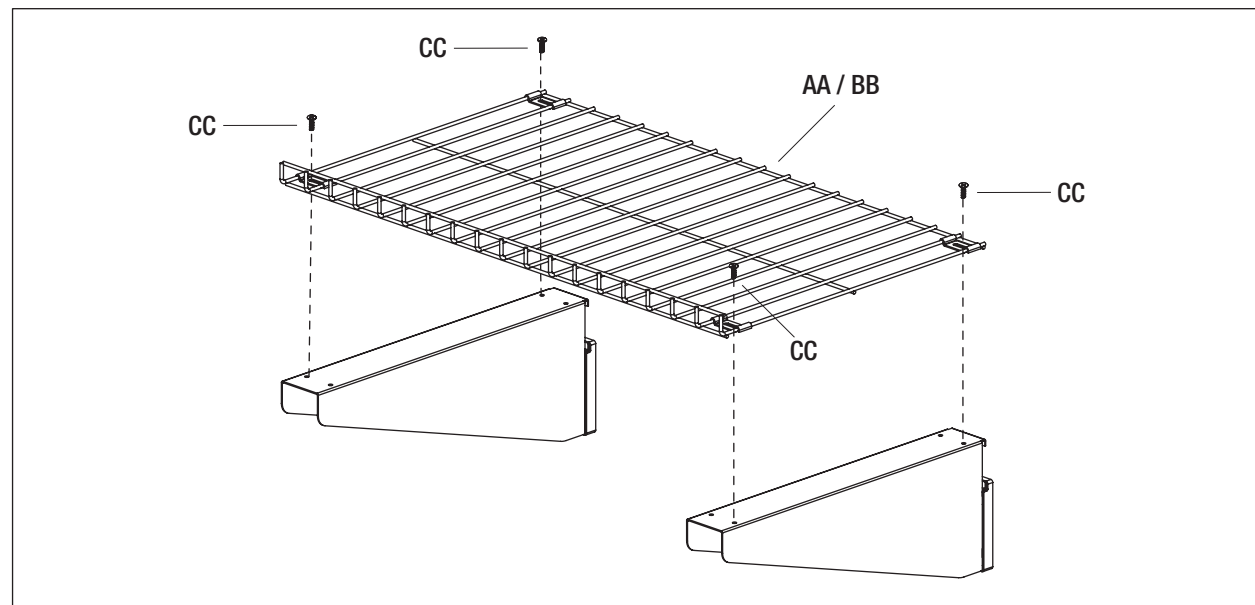
1b Determining Installation Method

- When two Shelves (AA/BB) are sharing a Bracket, use the inside screw holes.



2 Attaching the Brackets to the Shelves

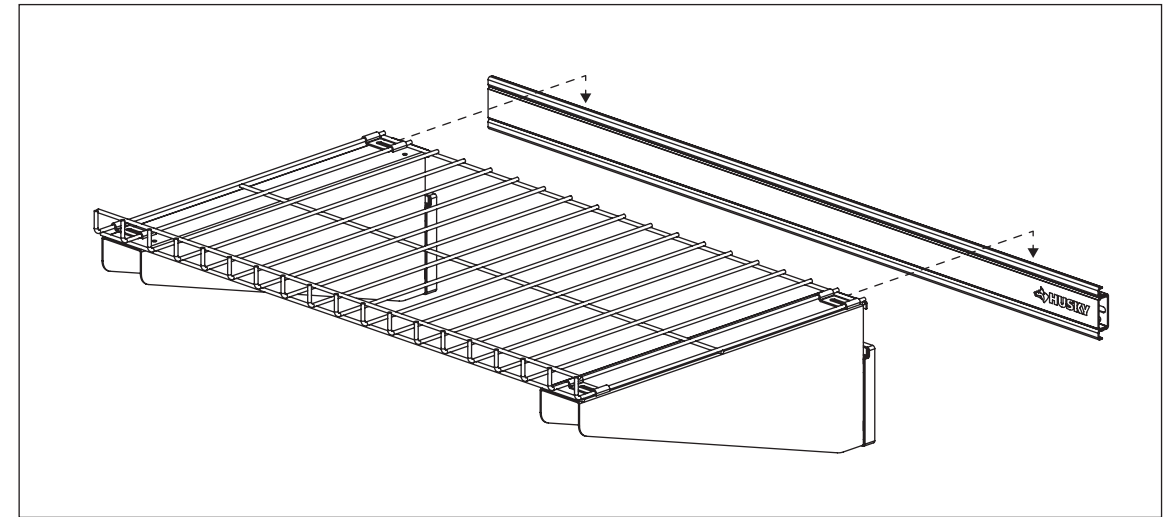
- Attach the Wire Shelf (AA/BB) to the Brackets with screws (CC).
- The middle Bracket does not attach to the shelf using screws on the 48 IN. shelf.



Installation

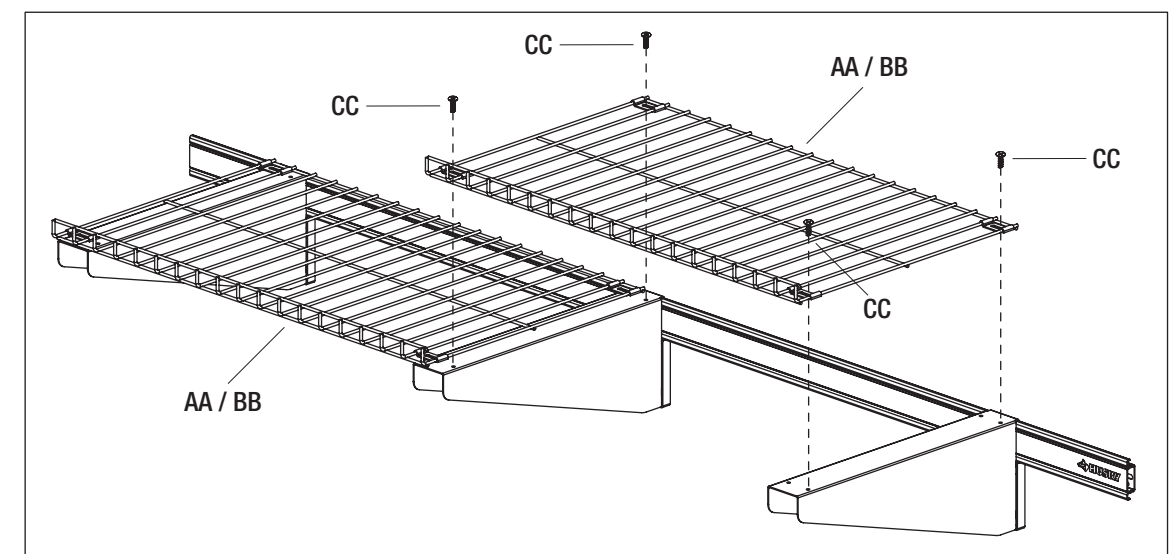
3a Attaching Shelves to a Vertical Rail or Wall

- Attach the shelf assembly to the Vertical Rail or Wall.



3b Attaching Multiple Shelves

- Assemble the first shelf (AA/BB) as steps 1-3 describe.
- Do not assemble multiple Shelves and then attach them to the Track.





Questions, problems, missing parts? Before returning to the store,
call Husky Customer Service
8 a.m. - 7 p.m., EST, Monday-Friday, 9 a.m. - 6 p.m., EST, Saturday

1-888-HD-HUSKY

HUSKYTOOLS.COM

Retain this manual for future use.