

**HOME**  
DECORATORS  
COLLECTION



Ships in 7-10 Days  
All Plywood Construction  
Soft Close Doors & Drawers  
Factory Built in the USA  
Limited Lifetime Warranty

# SPECIFICATION GUIDE

---

## TRADITIONAL SEMI-CUSTOM KITCHEN AND BATH CABINETRY

For use with 20/20 catalogs: HOME\_DEC, HOME\_DC2

[hdckitchens.com](http://hdckitchens.com)



# Semi-Custom Kitchen & Bath Cabinetry

## Limited Lifetime Warranty

Home Decorators Collection (warrantor) warrants to the original consumer purchaser, that all products manufactured or supplied by warrantor will be free from defects in material and workmanship. This warranty is for your lifetime as long as you own the cabinetry, on product used for Residential Purposes only and is not transferable to subsequent owners. Proof of Purchase is required.

This warranty does not cover damage resulting from normal wear, accident, misuse or lack of reasonable and necessary maintenance and service; nor does it warranty the improper installation or unauthorized repair, alteration, or modification or defects in the product when the product is installed. This warranty is limited to the repair or replacement of the defective part at the sole discretion of warrantor. Warranty is limited to Home Decorators Collection branded products excluding all electrical components: Excluded items may carry separate warranties as provided directly by the manufacturer of these products.

It is our option to provide repair parts or replace with functionally equivalent product. Return of product may be required for replacements. Such repair parts or replacement shall be at warrantor's expense, but customer shall bear all other expenses, including, but not limited to, cost of removal, transportation, re-installation, communication and any special service required by customer such as, overtime labor, etc.

Natural woods and finishes vary in color, grain pattern and exhibit color changes over time. Cabinets may darken or lighten with age due to exposure to certain environmental conditions including but not limited to sunlight, moisture, household cleaners, smoke, etc. Painted cabinets may show cracking at seams. These variations are considered the natural characteristics of the material and finishes and are not covered under this warranty.

In the event of a warranted product performance issue, submit request including proof of purchase documentation, specific description of warranty issue (include photos) in writing to:

Warranty Department  
210 Century Boulevard  
Bartow, FL 33830

Due to nature of materials and finishes Home Decorators Collection cannot guarantee warranty replacement will be an exact match.

Home Decorators Collection reserves the right to alter design, specifications and material without obligation to make changes to product previously manufactured.

EXCEPT TO THE EXTENT PROVIDED BY APPLICABLE LAW, ALL IMPLIED WARRANTIES, INCLUDING WARRANTIES OF MERCHANTABILITY AND FITNESS FOR A PARTICULAR PURPOSE, ARE LIMITED IN DURATION TO THE SHORTER OF THE PERIOD PROVIDED BY LAW OR THE PERIOD OF THIS WARRANTY, AND UNDER NO CIRCUMSTANCE SHALL HOME DECORATORS COLLECTION BE LIABLE FOR INCIDENTAL OR CONSEQUENTIAL DAMAGES SUSTAINED IN CONNECTION WITH THE PRODUCT. THE EXPRESS WARRANTY ABOVE CONSTITUTES THE ENTIRE WARRANTY AND IS IN LIEU OF ALL OTHERS EXPRESSED OR IMPLIED.

Some states do not allow the exclusion or limitation of incidental or consequential damages, or limitation on how long an implied warranty lasts, therefore, the above limitations or exclusions may not apply to you. This warranty gives you specific legal rights, and you may also have other rights, which vary from state to state.

### INDEMNITY

Home Decorators Collection shall not be liable for either its failure to perform or its delays in performance hereunder arising out of or resulting from causes beyond its control, including but not limited to, acts of God, acts of Representation, acts of Government, wars, fires, floods, epidemics, quarantine, strike, freight embargoes, weather or default by suppliers due to any such causes.

# Table of Contents

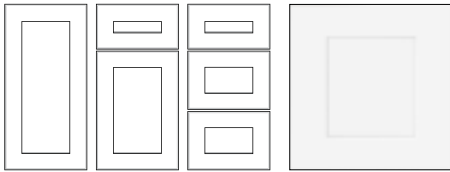


Door Styles .....	2-3
Cabinet Construction .....	4
Customization Options.....	5
Matching Interior Options.....	6
Style Tips .....	7-8
Wall Cabinets .....	9-22
Base Cabinets .....	23-32
Tall Cabinets.....	33-41
Vanity Cabinets.....	42-47
Accessories.....	48-54
Decorative Molding .....	55-56
<i>(includes crowns and light rails)</i>	
Decorative Hardware.....	57-58
<i>(includes handles, knobs &amp; cups)</i>	
Cabinet Frame & Opening Dimensions .....	59-61
Cabinet Front Only Availability Guide.....	62

**PLEASE NOTE:** Line drawings are artistic representations of products for general dimensioning purposes. These should not be relied upon for accurate product appearance. Please consult the website or a designer if you have any questions or specific design requirements.

# Shaker Square Recessed Panel Door Styles

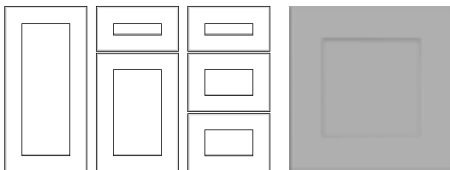
## Newport Pacific White (NPW)



- 3/4" thick x 3" wide MDF Shaker framed doors with 5/8" thick solid MDF center panels
- 3/4" thick x 3" wide MDF Shaker framed drawer fronts with 5/8" thick solid MDF recessed center panels

- Soft close hinges & full extension drawers with soft close
- Available in White painted finish
- Decorative hardware required
- Available with glass doors or open cabinets

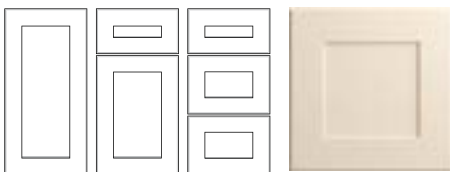
## Tremont Pearl Gray (TPG)



- 3/4" thick x 3" wide MDF Shaker framed doors with 5/8" thick solid MDF center panels
- 3/4" thick x 3" wide MDF Shaker framed drawer fronts with 5/8" thick solid MDF recessed center panels

- Soft close hinges & full extension drawers with soft close
- Available in Gray painted finish
- Decorative hardware required
- Available with glass doors or open cabinets

## Nashville Blended Cream (NBC)



- 3/4" thick x 3" wide MDF Shaker framed doors with 5/8" thick Solid MDF center Panels
- 3/4" thick x 3" wide MDF Shaker framed drawer fronts with 5/8" thick Solid MDF center Panels

- Soft close hinges & full extension drawers with soft close
- Available in Cream painted finish
- Decorative hardware required
- Available with glass doors or open cabinets

## Navarre Deep Onyx (NDO)



- 3/4" thick x 3" wide MDF Shaker framed doors with 5/8" thick Solid MDF center Panels
- 3/4" thick x 3" wide MDF Shaker framed drawer fronts with 5/8" thick Solid MDF center Panels

- Soft close hinges & full extension drawers with soft close
- Available in Deep Onyx painted finish
- Decorative hardware required
- Available with glass doors or open cabinets

## Neptune Mythic Blue (NMB)



- 3/4" thick x 3" wide MDF Shaker framed doors with 5/8" thick Solid MDF center Panels
- 3/4" thick x 3" wide MDF Shaker framed drawer fronts with 5/8" thick Solid MDF center Panels

- Soft close hinges & full extension drawers with soft close
- Available in Blue painted finish
- Decorative hardware required
- Available with glass doors or open cabinets

## Hargrove Cinnamon (HCN)



- 3/4" thick x 3" wide solid maple Shaker mortise and tenon framed doors with 5/8" thick veneer over MDF recessed center panels
- 3/4" thick x 3" wide solid maple Shaker mortise and tenon framed drawer fronts with 5/8" thick veneer over MDF recessed center panels

- Soft close hinges & full extension drawers with soft close
- Available in Cinnamon stain finish
- Decorative hardware required
- Available with glass doors or open cabinets

## Franklin Manganite (FMG)

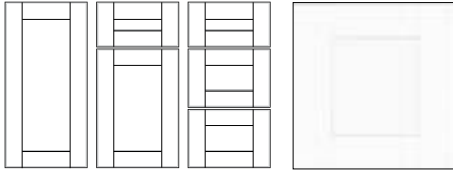


- 3/4" thick x 3" wide solid maple Shaker mortise and tenon framed doors with 5/8" thick veneer over MDF recessed center panels
- 3/4" thick x 3" wide solid maple Shaker mortise and tenon framed drawer fronts with 5/8" thick veneer over MDF recessed center panels

- Soft close hinges & full extension drawers with soft close
- Available in dark Mocha stain finish
- Decorative hardware required
- Available with glass doors or open cabinets

# Thermofoil Door Styles

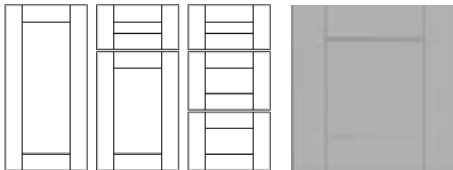
## Winchester Vesper White (WVW)



- 3/4" thick vinyl clad MDF recessed panel doors with flat melamine back
- 3/4" thick vinyl clad MDF recessed panel drawer fronts with flat melamine back
- Soft close hinges & full extension drawers with soft close

- Available in White
- Decorative hardware required
- Not available with glass doors
- Available with open cabinets

## Washington Veiled Gray (WVG)



- 3/4" thick vinyl clad MDF recessed panel doors with flat melamine back
- 3/4" thick vinyl clad MDF recessed panel drawer fronts with flat melamine back
- Soft close hinges & full extension drawers with soft close

- Available in Gray
- Decorative hardware required
- Not available with glass doors
- Available with open cabinets

## Waterbury Vessel Blue (WVB)



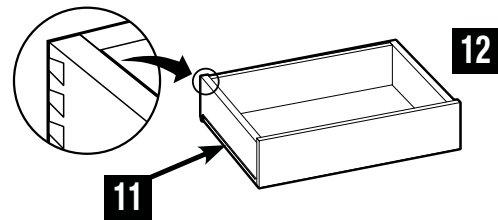
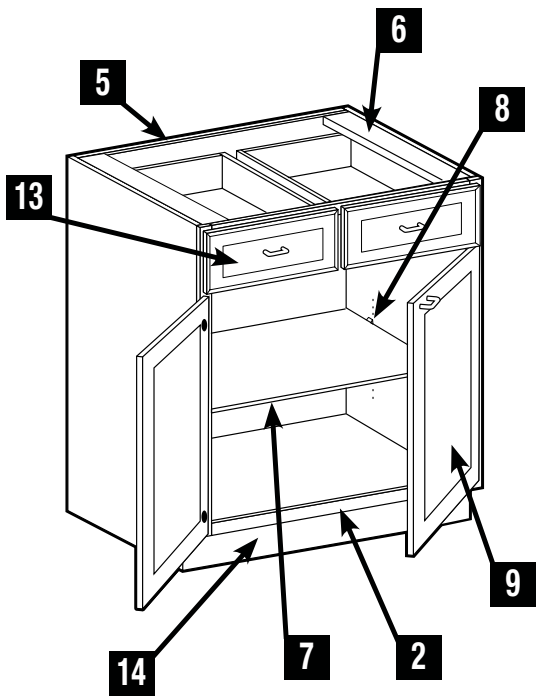
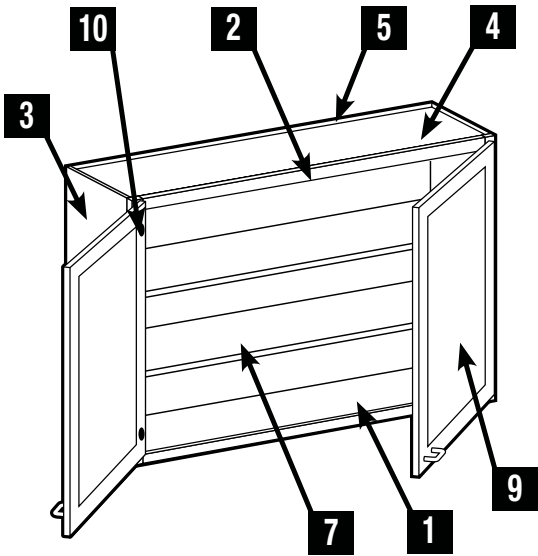
- 3/4" thick vinyl clad MDF recessed panel doors with flat white melamine back
- 3/4" thick vinyl clad MDF recessed panel drawer fronts with flat white melamine back
- Soft close hinges & full extension drawers with soft close

- Available in Blue
- Decorative hardware required
- Not available with glass doors
- Available with open cabinets

Full Overlay cabinetry is constructed from various pieces of solid wood and wood veneers. Differences in grain pattern and color should be expected. Color differences in wood are the result of variations in minerals found in the soil native to the tree's origin. Absorption of these minerals will vary by tree or parts of said tree. In addition, color changes can be experienced due to different exposure to light. All species of wood will display characteristics such as knots, pinholes, sap runs, mineral streaks and darkening with age. It is the natural beauty of wood to exhibit these characteristics and they will be present throughout your cabinetry.

**All of our painted door styles feature solid wood painted face frames.** As with any painted wood surface, expansion and contraction with changes in climate may cause fractures in the paint surface at joints. This is an acceptable characteristic and will vary based on climate conditions. In addition, there may be a slight color shift over time due to continued exposure to both natural and artificial light.

# Standard Cabinet Construction



<b>1</b>	<b>INTERIOR</b>	Natural birch vinyl laminate provides a durable, wipe clean finish.
<b>2</b>	<b>FACE FRAME</b>	1½" wide x 3/4" thick solid hardwood pocket screwed.
<b>3</b>	<b>END PANELS</b>	1/2" thick CARB2 plywood, exterior vinyl laminate is color matched to the face frame.
<b>4</b>	<b>FLOOR &amp; CEILING</b>	1/2" thick CARB2 plywood, both sides captured by end panels.
<b>5</b>	<b>BACK PANELS</b>	1/2" thick CARB2 plywood with natural birch vinyl laminate interior and raw exterior. The 'clipped' back panels on Wall Angle and Easy Reach Corner cabinets will be 1/4" plywood.
<b>6</b>	<b>"I-BEAM" SUPPORTS</b>	1/2" thick CARB2 plywood, full depth braces provide stability and support for countertop attachment.
<b>7</b>	<b>ADJUSTABLE SHELVES</b>	3/4" thick CARB2 plywood finished with natural birch vinyl laminate and matching edgebanding. Base and wall adjustable shelves are full depth.
<b>8</b>	<b>SHELF SUPPORTS</b>	Clear, high strength plastic with locking top tab to prevent shelf tip. Provides easy shelf adjustment.
<b>9</b>	<b>DOORS</b>	Stylish, full-overlay doors available in stained hardwoods or MDF. See pages 2-3 for details.
<b>10</b>	<b>HINGES</b>	Fully concealed 110° opening Soft Close hinges with 6-way adjustment for ease of alignment.
<b>11</b>	<b>RUNNERS/ GLIDES</b>	Drawers feature smooth gliding, full extension, ball bearing runners with Soft Closing shocks that engage when drawer is 1" from closed. Interior roll out trays have epoxy coated side mount runners. Both are rated for 100lb static and 75lb dynamic loads.
<b>12</b>	<b>DRAWERS &amp; ROLL-OUT TRAYS</b>	5/8" thick finger jointed hardwood four sided dovetail box construction, finished with a clear top coat and a 1/4" thick captured plywood floor.
<b>13</b>	<b>DRAWER FRONTS</b>	Stylish full overlay drawer fronts available in solid hardwood or MDF. See pages 2-3 for details. For standard kitchen and vanity cabinets, the top drawer front is 8" high & bottom two drawer fronts are 10 1/2" high
<b>14</b>	<b>INTEGRAL TOE KICK</b>	1/2" thick plywood secured between end panels. Provides solid backing for installation of Matching Toe Kick (MTK8) or other materials such as ceramic, vinyl, etc.



## FINISHED END OPTIONS



**1. All Cabinet Sides** are manufactured from 1/2" thick CARB2 compliant plywood covered with a vinyl laminate which is color-matched to the face frame and doors.



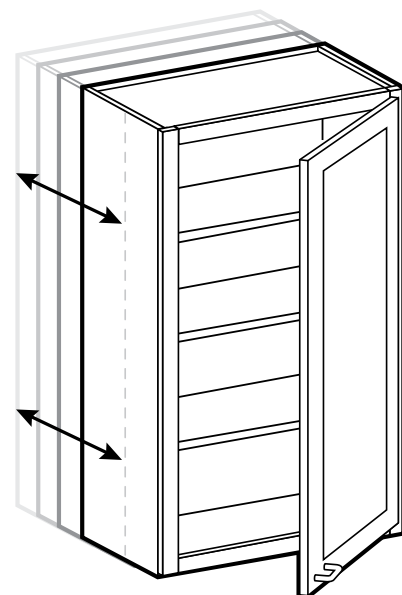
**2. Optional Matching End Panels** are 3/4" thick overlay panels that match the construction of the door style selected. They are available for standard depth base cabinets (MBEP) and standard depth wall cabinets in three heights (MWEP30, MWEP36, MWEP42). Matching End Panels are packaged separately for field installation. Detailed specs for these items can be found on page 51.

## CUSTOM DEPTH



CABINET TYPE	CUSTOM DEPTH MIN-MAX
12" DEEP WALL	5" to 15"
24" DEEP WALL	16" to 23"
STANDARD BASE*	9" to 23"
BASE DRAWER*	15" to 23"
TALL UTILITY/LINEN	9" to 23"

- Available on standard cabinet types in 1" depth increments
- \* Base cabinets with drawers that are customized from 15" to 23" deep will include working drawers. 9" to 14" deep cabinets will have no drawer and a false drawer front.
- \* Vanity cabinets can be customized by selecting the standard base version. For example: select BD18 instead of a VBD1821 and customize the depth.
- \* Custom Depth changes need to be added to the cabinet before the order is placed. This can be done in your design program or in the shopping cart.

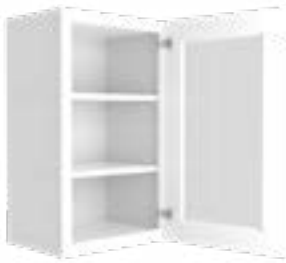




# Matching Interior Options

## Wall Cabinets prepared for glass (PFG)

Found on pages 14-17



- Wall cabinets traditional door frames will be routed and prepared for clear glass (PFG).
- Clear glass panels will be furnished cut to size and will ship separately, direct to the ship-to address, for field installation
- It is recommended that the glass panels be installed with clear silicone
- PFG cabinet interiors will automatically be finished to match the face frame color, including adjustable shelves

## Tall Cabinets prepared for glass (PFG)

Found on pages 37-39

## Vanity linen Cabinets prepared for glass (PFG)

Found on pages 46



- Tall Utility/Vanity Linen cabinets – only the upper door frames will be routed and prepped for clear glass (PFG).
- Matching Interior shelves are only supplied for the upper portion of the cabinet, where the PFG doors are located when roll out trays are indicated.
- Lower portion will have solid finger jointed hardwood roll out trays if roll out trays are indicated
- Standard Base, Vanity Base, and lower doors on Tall cabinets are not available Prepped For Glass as a safety precaution

## Wall Cabinets with no doors (ND)

Found on pages 18-21



## Tall Cabinets with no doors (ND)

Found on pages 40

## Vanity linen Cabinets with no doors (ND)

Found on pages 47



## Base Cabinets with no doors (ND)

Found on pages 31



- 'No Door' cabinet interiors and shelves will be finished to match the face frame color
- Shelf adjustment holes will be visible on the back wall and side walls of the cabinet interior





Add a new level to your island by using desk height cabinets. These are good for baking area's or kids work spaces. To create the decorative panel look on the side of unique spaces, you can use our fillers and cut them to fit on the job site.



Turn your laundry room into a room you enjoy being in! Add a large sink and drawers for easy clean-up and storage. Open shelves give easy access and an open feel to your new space.



Make wall storage open and airy using No Door (ND) cabinets and glass door cabinets (PFG) together with standard wall cabinets. These cabinets are available in all wall cabinet sizes we offer, so get creative!

## Style Tips

---



Need a nice square post for your island, or want a raised bar? Use fillers to create a square post to the width and height of your choosing. This image uses 6" wide fillers, however 3" wide fillers can be used as well. To create the apron under the countertop turn fillers horizontally and cut to fit on the job site.



Want countertop storage that is behind closed doors? Use wall bridge cabinets in 18" high, placed under standard wall cabinets to create this space. You can add dimension to your kitchen by making these cabinets 15" deep, and gain extra storage as well! No door bridge cabinets can help create an open feel to your space. Placing these above a baking area or desk area can give easy access to cookbooks, mixing bowls or nice décor!



Using a full height door cabinet for your sink base can add a modern twist to your traditional kitchen. Make your new kitchen transitional!

# Wall Cabinets

## WALL CABINET CODING

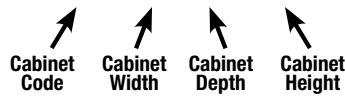
### STANDARD (12" DEEP)

**W 30 30**



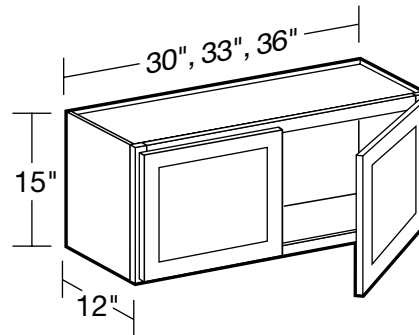
### REFRIGERATOR (24" DEEP)

**W 36 24 18**



- All wall cabinets are 12" deep unless otherwise noted. Actual height of 24" high cabinets is 23½" overall. Refrigerator wall cabinets are 24" deep.
- Cabinet depth does not include door thickness
- Products are available in all door styles unless stated otherwise
- Standard cabinet exterior is color matched to face frame
- Soft close hinges

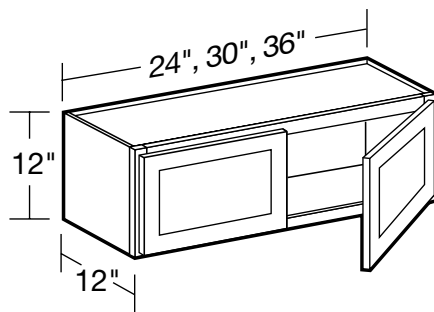
### 15" High Double Door



**W3015**  
**W3315**  
**W3615**

- No adjustable shelf
- **CUSTOM DEPTH: 5" to 15" deep**

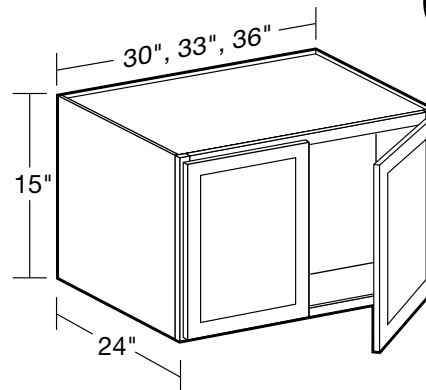
### 12" High Double Door



**W2412**  
**W3012**  
**W3612**

- No adjustable shelf
- **CUSTOM DEPTH: 5" to 15" deep**

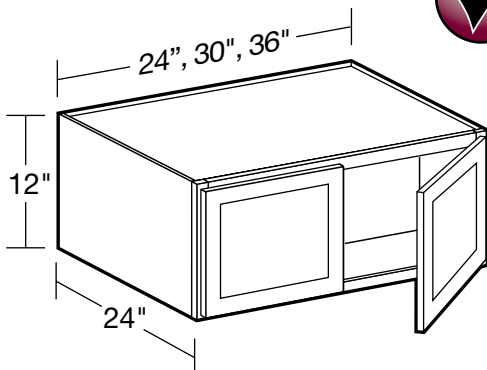
### 15" High x 24" Deep Double Door



**W302415**  
**W332415**  
**W362415**

- No adjustable shelf
- Must be installed between two cabinets, cabinet and wall, or supported by refrigerator panels (RP)
- **CUSTOM DEPTH: 16" to 23" deep**

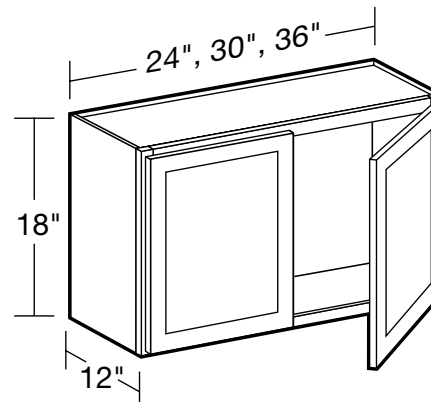
### 12" High x 24" Deep Double Door



**W242412**  
**W302412**  
**W362412**

- No adjustable shelf
- Must be installed between two cabinets, cabinet and wall, or supported by refrigerator panels (RP)
- **CUSTOM DEPTH: 16" to 23" deep**

### 18" High Double Door

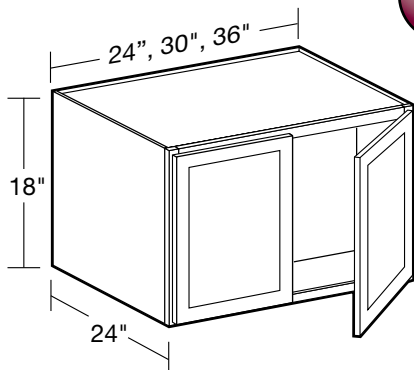


**W2418**  
**W3018**  
**W3618**

- No adjustable shelf
- **CUSTOM DEPTH: 5" to 15" deep**

# Wall Cabinets

## 18" High x 24" Deep Double Door



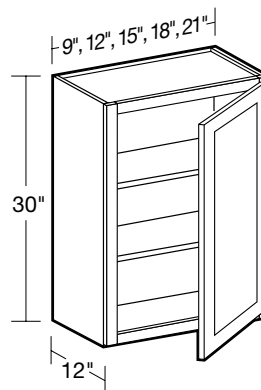
**W242418**

**W302418**

**W362418**

- No adjustable shelf
- Must be installed between two cabinets, cabinet and wall, or supported by refrigerator panels (RP)
- **CUSTOM DEPTH: 16" to 23" deep**

## 30" High Single Door



**SPECIFY  
RIGHT or LEFT HINGED**

**W0930**

**W1230**

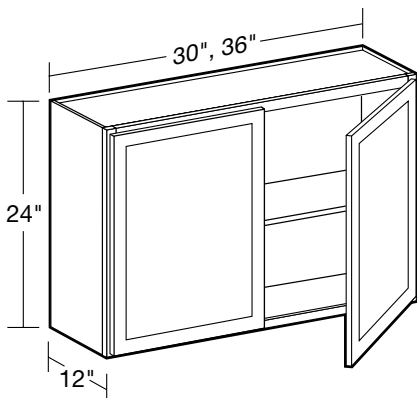
**W1530**

**W1830**

**W2130**

- Two adjustable shelves
- **CUSTOM DEPTH: 5" to 15" deep**

## 24" High Double Door

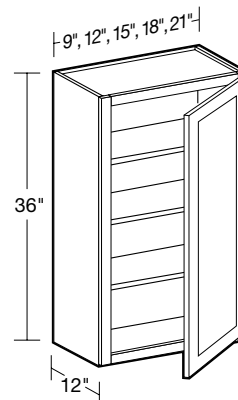


**W3024**

**W3624**

- One adjustable shelf
- **CUSTOM DEPTH: 5" to 15" deep**

## 36" High Single Door



**SPECIFY  
RIGHT or LEFT HINGED**

**W0936**

**W1236**

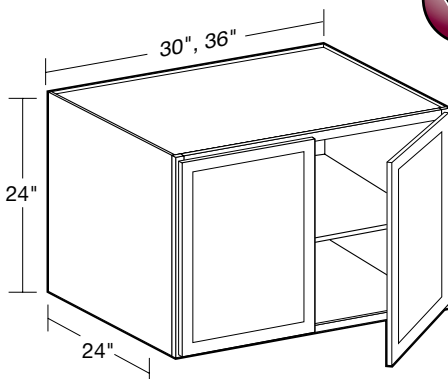
**W1536**

**W1836**

**W2136**

- Three adjustable shelves
- **CUSTOM DEPTH: 5" to 15" deep**

## 24" High x 24" Deep Double Door

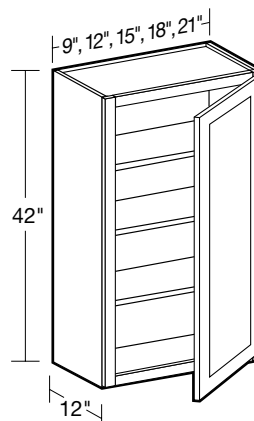


**W302424**

**W362424**

- One adjustable shelf
- Must be installed between two cabinets, cabinet and wall, or supported by refrigerator panels (RP)
- **CUSTOM DEPTH: 16" to 23" deep**

## 42" High Single Door



**SPECIFY  
RIGHT or LEFT HINGED**

**W0942**

**W1242**

**W1542**

**W1842**

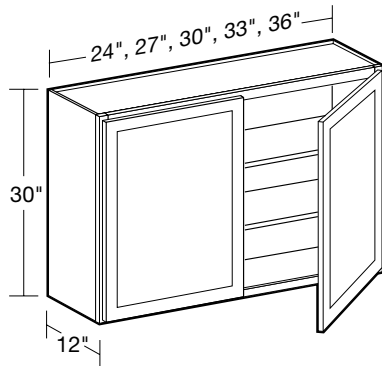
**W2142**

- Three adjustable shelves
- **CUSTOM DEPTH: 5" to 15" deep**



# Wall Cabinets

## 30" High Double Door



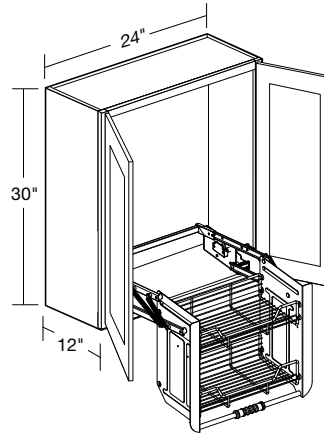
- Two adjustable shelves
- **CUSTOM DEPTH: 5" to 15" deep**



**CUSTOM DEPTH**

W2430  
W2730  
W3030  
W3330  
W3630

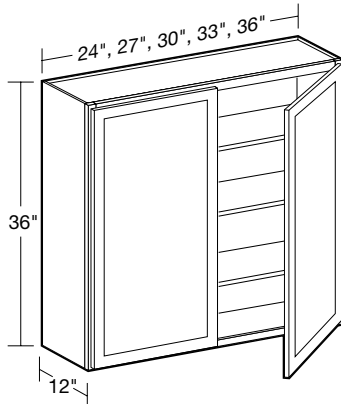
## 30" High Double Door with Pull Down Chrome Shelves



**W2430-PDSCR**

- **Field install at desired height in cabinet**
- Two tier chrome shelves lowers 10" and brings items forward 14<sup>3</sup>/<sub>4</sub>"
- Gas assisted mechanism smoothly raises and lowers unit
- Locking arm feature holds shelf in down position

## 36" High Double Door



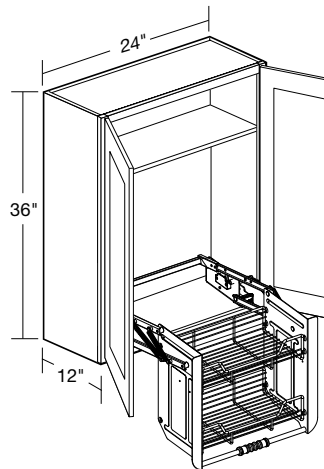
- Three adjustable shelves
- **CUSTOM DEPTH: 5" to 15" deep**



**CUSTOM DEPTH**

W2436  
W2736  
W3036  
W3336  
W3636

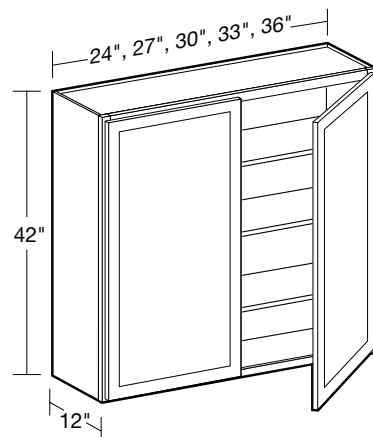
## 36" High Double Door with Pull Down Chrome Shelves



**W2436-PDSCR**

- **Field install at desired height in cabinet**
- Two tier chrome shelves lowers 10" and brings items forward 14<sup>3</sup>/<sub>4</sub>"
- Gas assisted mechanism smoothly raises and lowers unit
- Locking arm feature holds shelf in down position

## 42" High Double Door



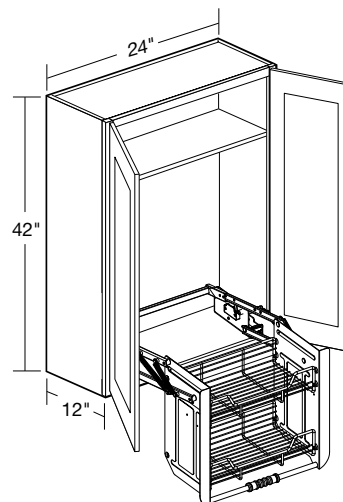
- Three adjustable shelves
- **CUSTOM DEPTH: 5" to 15" deep**



**CUSTOM DEPTH**

W2442  
W2742  
W3042  
W3342  
W3642

## 42" High Double Door with Pull Down Chrome Shelves

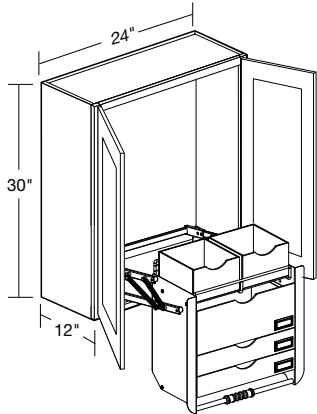


**W2442-PDSCR**

- **Field install at desired height in cabinet**
- Two tier chrome shelves lowers 10" and brings items forward 14<sup>3</sup>/<sub>4</sub>"
- Gas assisted mechanism smoothly raises and lowers unit
- Locking arm feature holds shelf in down position

# Wall Cabinets

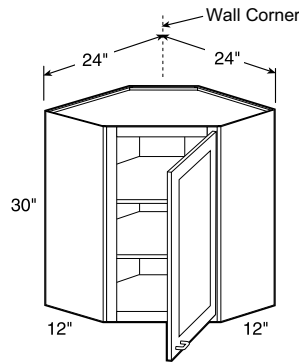
## 30" High Double Door with Pull Down Frosted Shelves



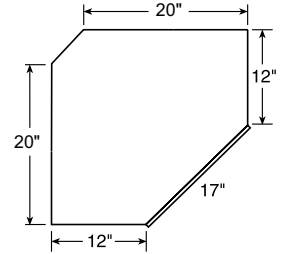
### W2430-PDSFR

- Field install at desired height in cabinet
- Features 5 removable acrylic storage bins
- Lowers items 10" and brings forward 14<sup>3</sup>/<sub>4</sub>"
- Gas assisted mechanism smoothly raises and lowers unit

## 30" High Wall Angle

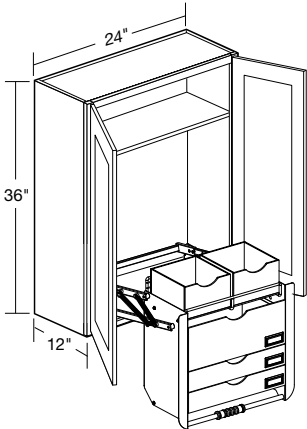


SPECIFY  
RIGHT or LEFT HINGED  
**WA2430**



- Two adjustable shelves
- Clip corner back provides clearance for installation
- Clip corner back is 1/4" plywood

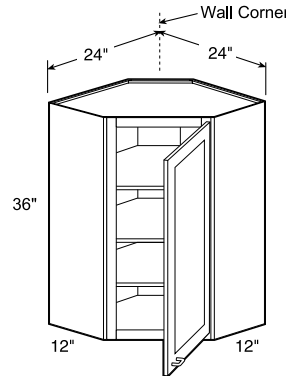
## 36" High Double Door with Pull Down Frosted Shelves



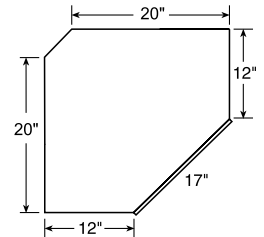
### W2436-PDSFR

- Field install at desired height in cabinet
- Features 5 removable acrylic storage bins
- Lowers items 10" and brings forward 14<sup>3</sup>/<sub>4</sub>"
- Gas assisted mechanism smoothly raises and lowers unit

## 36" High Wall Angle

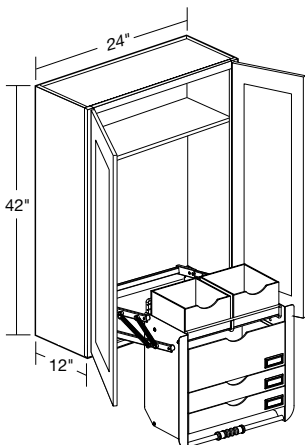


SPECIFY  
RIGHT or LEFT HINGED  
**WA2436**



- Three adjustable shelves
- Clip corner back provides clearance for installation
- Clip corner back is 1/4" plywood

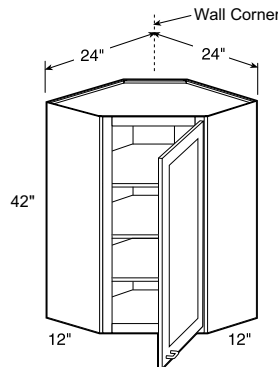
## 42" High Double Door with Pull Down Frosted Shelves



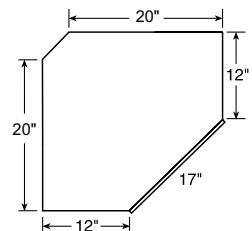
### W2442-PDSFR

- Field install at desired height in cabinet
- Features 5 removable acrylic storage bins
- Lowers items 10" and brings forward 14<sup>3</sup>/<sub>4</sub>"
- Gas assisted mechanism smoothly raises and lowers unit

## 42" High Wall Angle



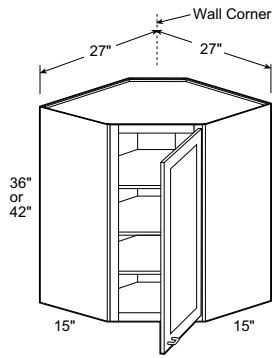
SPECIFY  
RIGHT or LEFT HINGED  
**WA2442**



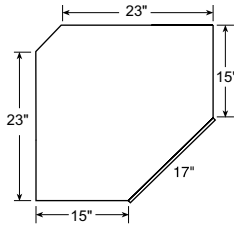
- Three adjustable shelves
- Clip corner back provides clearance for installation
- Clip corner back is 1/4" plywood

# Wall Cabinets

## 36" and 42" High x 15" Deep Wall Angle

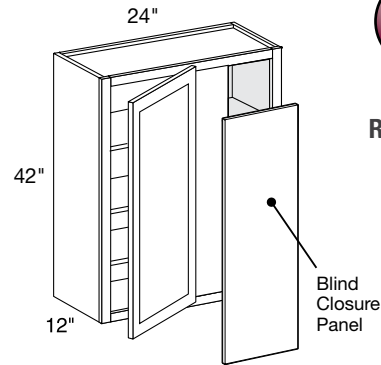


SPECIFY  
RIGHT or LEFT HINGED  
**WA271536**  
**WA271542**



- Three adjustable shelves
- Clip corner back provides clearance for installation
- Clip corner back is 1/4" plywood

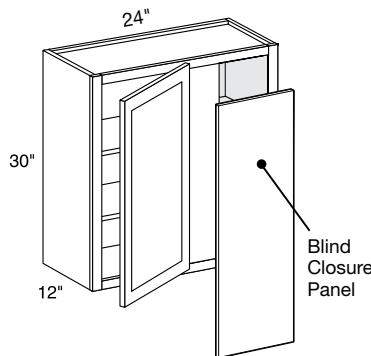
## 42" High Wall Blind Corner



SPECIFY  
RIGHT or LEFT BLIND  
**WBCU2742**

- Three adjustable shelves
- Indicate R or L for blind side (right shown)
- Cabinet can be pulled for exact fit (see installation chart)
- 3" filler & 3/16" blind closure panel included
- Door width is 11-3/4"
- **CUSTOM DEPTH: 5" to 15" deep**

## 30" High Wall Blind Corner

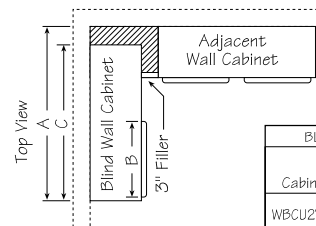


SPECIFY  
RIGHT or LEFT BLIND  
**WBCU2730**

- Two adjustable shelves
- Indicate R or L for blind side (right shown)
- Cabinet can be pulled for exact fit (see installation guide)
- 3" filler & 3/16" blind closure panel included
- Door width is 11-3/4"
- **CUSTOM DEPTH: 5" to 15" deep**

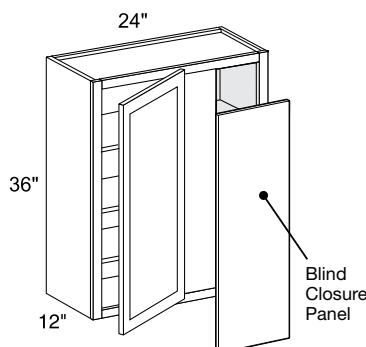
## Blind Corner Installation Guide

\*Gray area represents empty space. Cabinet is designed to be pulled for exact space.



Cabinet	Wall Space "A"		Frame Opening	Cabinet
	Min	Max	Width "B"	Width "C"
WBCU2730	25"	30"	8 7/8"	24"
WBCU2736	25"	30"	8 7/8"	24"
WBCU2742	25"	30"	8 7/8"	24"

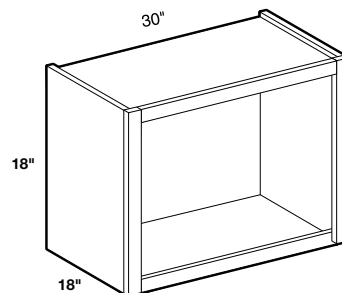
## 36" High Wall Blind Corner



SPECIFY  
RIGHT or LEFT BLIND  
**WBCU2736**

- Three adjustable shelves
- Indicate R or L for blind side (right shown)
- Cabinet can be pulled for exact fit (see installation guide)
- 3" filler & 3/16" blind closure panel included
- Door width is 11-3/4"
- **CUSTOM DEPTH: 5" to 15" deep**

## Wall Microwave Cabinet



**WMC301818ND**

- Matching interior and exterior standard
- Best installed between two cabinets or cabinet and wall if possible
- Cannot be installed against Wall Angle cabinet (WA) or Wall Blind Corner Unit (WBCU)



# Wall Cabinets with Glass Doors

## WALL CABINET CODING

### STANDARD (12" DEEP)

**W 30 30**

Cabinet Code    Cabinet Width    Cabinet Height

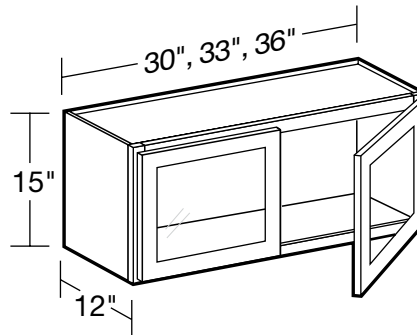
### REFRIGERATOR (24" DEEP)

**W 36 24 18**

Cabinet Code    Cabinet Width    Cabinet Depth    Cabinet Height

- Standard wall cabinets are 12" deep. Refrigerator wall cabinets are 24" deep.
- Cabinet depth does not include door thickness
- Not available in Waterford Vesper White (WVW), Wembley Veiled Gray (WVG) or Waterbury Vessel Blue (WVB)
- Standard cabinet exterior is color matched to face frame
- Clear glass ships separate from cabinets
- Matching interiors are standard in PFG cabinets
- Soft close hinges
- Shelf adjustment holes on the interior sides and back of cabinets will be visible

### 15" High Double Door

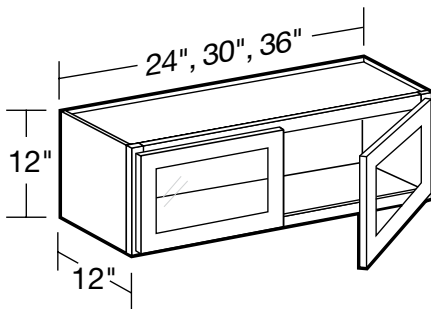


- No adjustable shelf
- **CUSTOM DEPTH: 5" to 15" deep**



**W3015PFG**  
**W3315PFG**  
**W3615PFG**

### 12" High Double Door

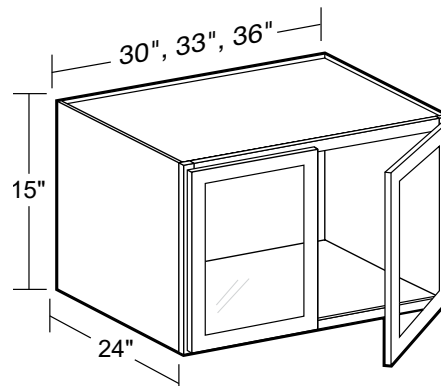


- No adjustable shelf
- **CUSTOM DEPTH: 5" to 15" deep**



**W2412PFG**  
**W3012PFG**  
**W3612PFG**

### 15" High x 24" Deep Double Door

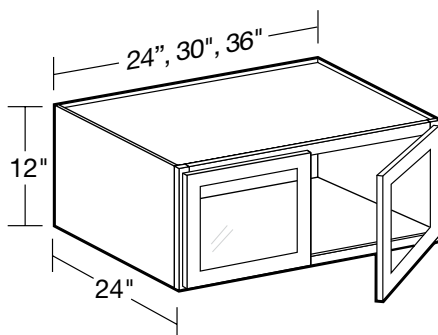


- No adjustable shelf
- Must be installed between two cabinets, cabinet and wall, or supported by refrigerator panels (RP)
- **CUSTOM DEPTH: 16" to 23" deep**



**W302415PFG**  
**W332415PFG**  
**W362415PFG**

### 12" High x 24" Deep Double Door

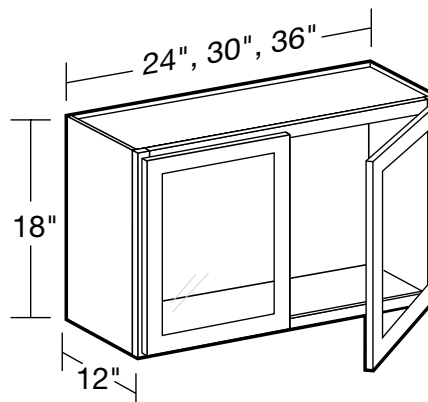


- No adjustable shelf
- Must be installed between two cabinets, cabinet and wall, or supported by refrigerator panels (RP)
- **CUSTOM DEPTH: 16" to 23" deep**



**W242412PFG**  
**W302412PFG**  
**W362412PFG**

### 18" High Double Door



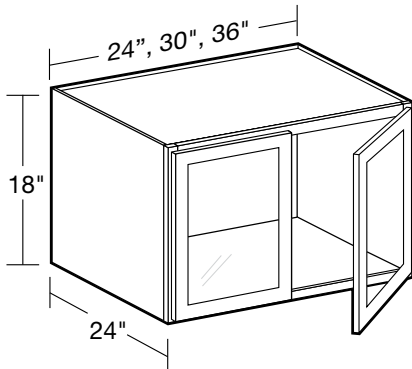
- No adjustable shelf
- **CUSTOM DEPTH: 5" to 15" deep**



**W2418PFG**  
**W3018PFG**  
**W3618PFG**

# Wall Cabinets with Glass Doors

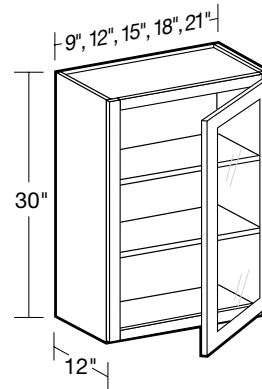
## 18" High x 24" Deep Double Door



W242418PFG  
W302418PFG  
W362418PFG

- No adjustable shelf
- Must be installed between two cabinets, cabinet and wall, or supported by refrigerator panels (RP)
- **CUSTOM DEPTH: 16" to 23" deep**

## 30" High Single Door

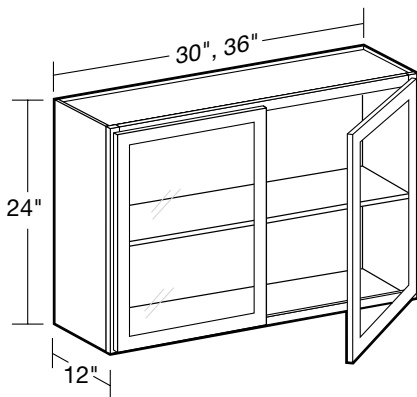


**SPECIFY  
RIGHT or LEFT HINGED**

W0930PFG  
W1230PFG  
W1530PFG  
W1830PFG  
W2130PFG

- Two adjustable shelves, matching cabinet finish
- **CUSTOM DEPTH: 5" to 15" deep**

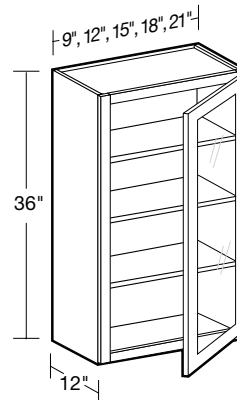
## 24" High Double Door



W3024PFG  
W3624PFG

- One adjustable shelf, matching cabinet finish
- **CUSTOM DEPTH: 5" to 15" deep**

## 36" High Single Door

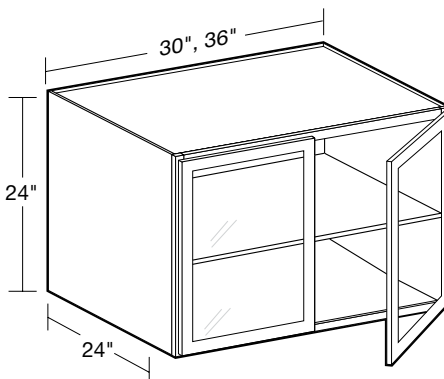


**SPECIFY  
RIGHT or LEFT HINGED**

W0936PFG  
W1236PFG  
W1536PFG  
W1836PFG  
W2136PFG

- Three adjustable shelves, matching cabinet finish
- **CUSTOM DEPTH: 5" to 15" deep**

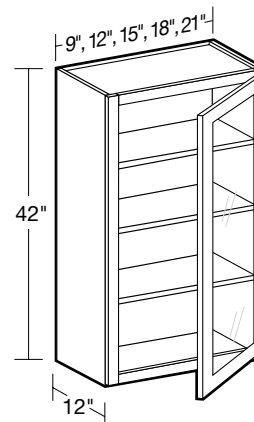
## 24" High x 24" Deep Double Door



W302424PFG  
W362424PFG

- One adjustable shelf, matching cabinet finish
- Must be installed between two cabinets, cabinet and wall, or supported by refrigerator panels (RP)
- **CUSTOM DEPTH: 16" to 23" deep**

## 42" High Single Door



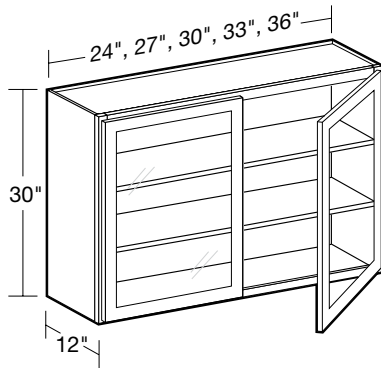
**SPECIFY  
RIGHT or LEFT HINGED**

W0942PFG  
W1242PFG  
W1542PFG  
W1842PFG  
W2142PFG

- Three adjustable shelves, matching cabinet finish
- **CUSTOM DEPTH: 5" to 15" deep**

# Wall Cabinets with Glass Doors

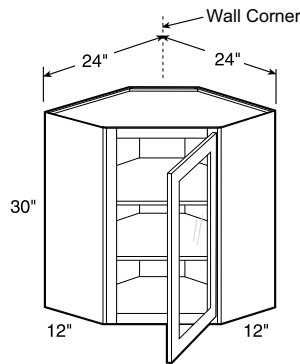
## 30" High Double Door



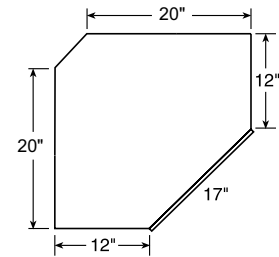
**W2430PFG**  
**W2730PFG**  
**W3030PFG**  
**W3330PFG**  
**W3630PFG**

- Two adjustable shelves, matching cabinet finish
- **CUSTOM DEPTH: 5" to 15" deep**

## 30" High Wall Angle

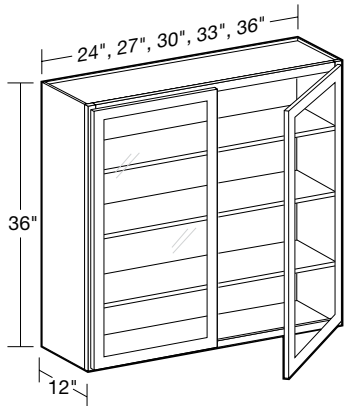


**SPECIFY**  
**RIGHT or LEFT HINGED**  
**WA2430PFG**



- Two adjustable shelves, matching cabinet finish
- Clip corner back provides clearance for installation
- Clip corner back is 1/4" plywood

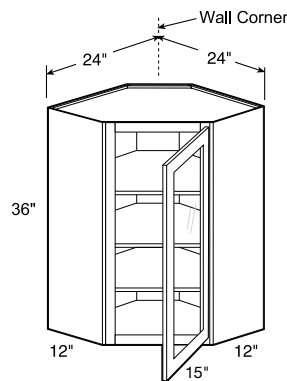
## 36" High Double Door



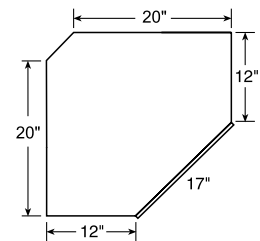
**W2436PFG**  
**W2736PFG**  
**W3036PFG**  
**W3336PFG**  
**W3636PFG**

- Three adjustable shelves, matching cabinet finish
- **CUSTOM DEPTH: 5" to 15" deep**

## 36" High Wall Angle

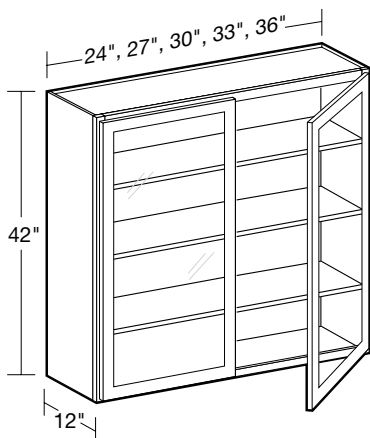


**SPECIFY**  
**RIGHT or LEFT HINGED**  
**WA2436PFG**



- Three adjustable shelves, matching cabinet finish
- Clip corner back provides clearance for installation
- Clip corner back is 1/4" plywood

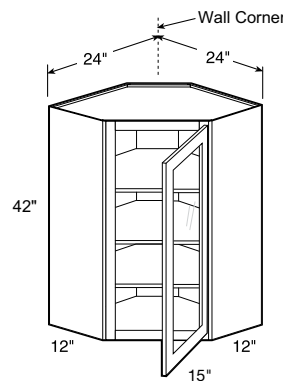
## 42" High Double Door



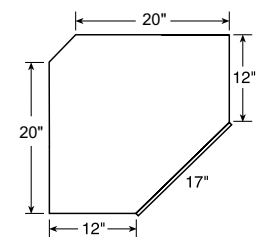
**W2442PFG**  
**W2742PFG**  
**W3042PFG**  
**W3342PFG**  
**W3642PFG**

- Three adjustable shelves, matching cabinet finish
- **CUSTOM DEPTH: 5" to 15" deep**

## 42" High Wall Angle



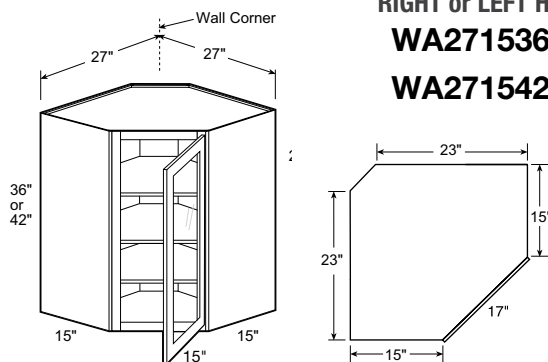
**SPECIFY**  
**RIGHT or LEFT HINGED**  
**WA2442PFG**



- Three adjustable shelves, matching cabinet finish
- Clip corner back provides clearance for installation
- Clip corner back is 1/4" plywood

# Glass Wall Cabinets with Glass Doors

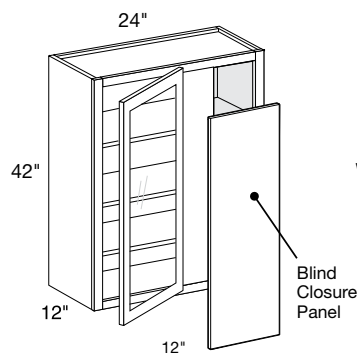
## 36" and 42" High x 15" Deep Wall Angle



SPECIFY  
RIGHT or LEFT HINGED  
**WA271536PFG**  
**WA271542PFG**

- Three adjustable shelves, matching cabinet finish
- Clip corner back provides clearance for installation
- Clip corner back is 1/4" plywood

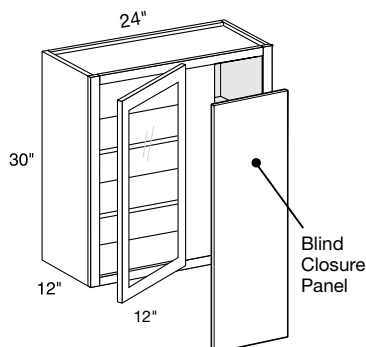
## 42" High Wall Blind Corner



SPECIFY  
RIGHT or LEFT BLIND  
**WBCU2742PFG**

- Three adjustable shelves, matching cabinet finish
- Indicate R or L for blind side (right shown)
- Cabinet can be pulled for exact fit (see installation chart)
- 3" filler included & 3/16" blind closure panel included
- Door width is 11 3/4"
- **CUSTOM DEPTH: 5" to 15" deep**

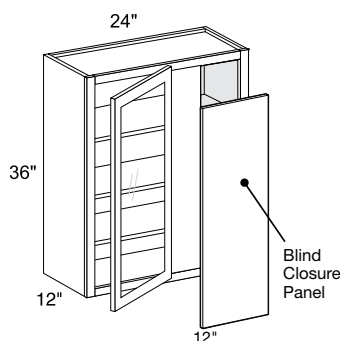
## 30" High Wall Blind Corner



SPECIFY  
RIGHT or LEFT BLIND  
**WBCU2730PFG**

- Two adjustable shelves, matching cabinet finish
- Indicate R or L for blind side (right shown)
- Cabinet can be pulled for exact fit (see installation guide)
- 3" filler included & 3/16" blind closure panel included
- Door width is 11 3/4"
- **CUSTOM DEPTH: 5" to 15" deep**

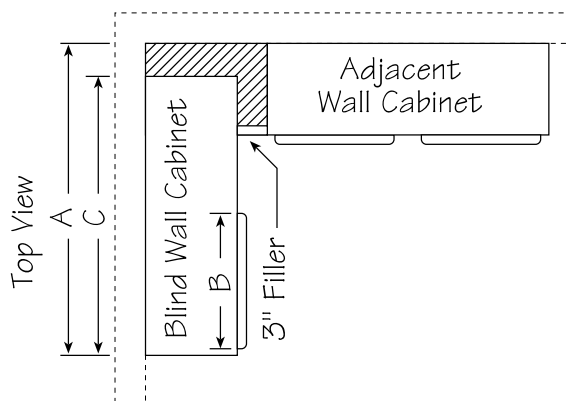
## 36" High Wall Blind Corner



SPECIFY  
RIGHT or LEFT BLIND  
**WBCU2736PFG**

- Three adjustable shelves, matching cabinet finish
- Indicate R or L for blind side (right shown)
- Cabinet can be pulled for exact fit (see installation guide)
- 3" filler included & 3/16" blind closure panel included
- Door width is 11 3/4"
- **CUSTOM DEPTH: 5" to 15" deep**

## Blind Corner Installation Guide



\*Gray area represents empty space. Cabinet is designed to be pulled for exact space.

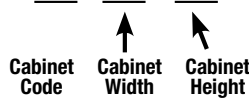
BLIND WALL INSTALLATION GUIDE			
	Wall Space "A"	Frame Opening	Cabinet
Cabinet	Min - Max	Width "B"	Width "C"
WBCU2730	25" - 30"	8 7/8"	24"
WBCU2736	25" - 30"	8 7/8"	24"
WBCU2742	25" - 30"	8 7/8"	24"

# Wall Cabinets with No Doors

## WALL CABINET CODING

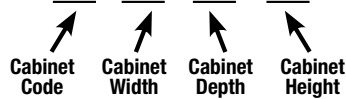
### STANDARD (12" DEEP)

**W 30 30**



### REFRIGERATOR (24" DEEP)

**W 36 24 18**

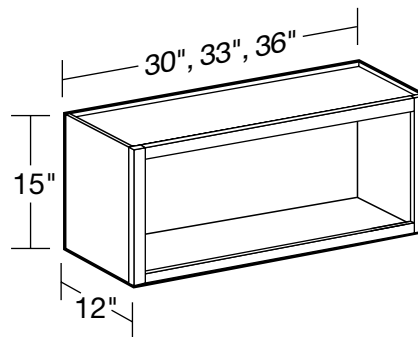


- Standard wall cabinets are 12" deep. Refrigerator wall cabinets are 24" deep.
- Matching interiors are standard in wall cabinets with no door
- Products are available in all door styles unless stated otherwise
- Standard cabinet exterior is color matched to face frame
- No Doors
- Shelf adjustment holes on the interior sides and back of cabinets will be visible

### 15" High No Door



**W3015ND**  
**W3315ND**  
**W3615ND**

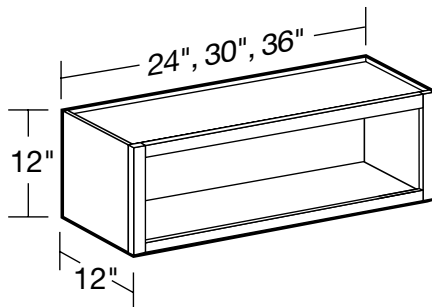


- No adjustable shelf
- CUSTOM DEPTH: 5" to 15" deep**

### 12" High No Door



**W2412ND**  
**W3012ND**  
**W3612ND**

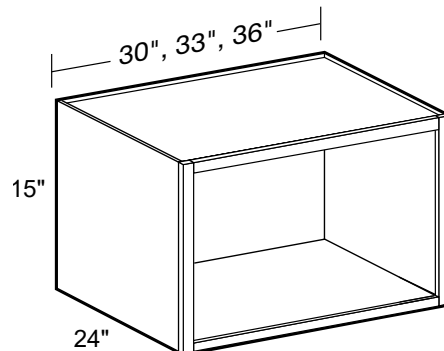


- No adjustable shelf
- CUSTOM DEPTH: 5" to 15" deep**

### 15" High x 24" Deep No Door



**W302415ND**  
**W332415ND**  
**W362415ND**

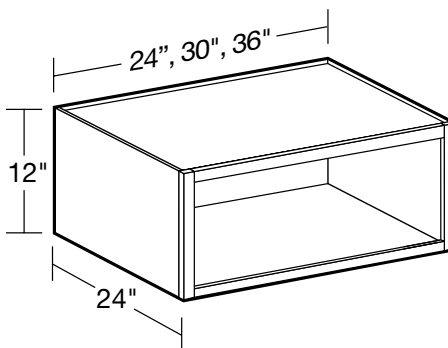


- No adjustable shelf
- Must be installed between two cabinets, cabinet and wall, or supported by refrigerator panels (RP)
- CUSTOM DEPTH: 16" to 23" deep**

### 12" High x 24" Deep No Door



**W242412ND**  
**W302412ND**  
**W362412ND**

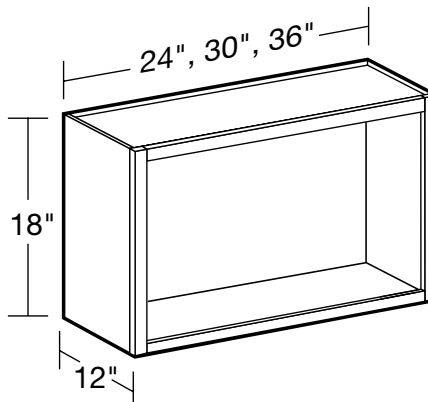


- No adjustable shelf
- Must be installed between two cabinets, cabinet and wall, or supported by refrigerator panels (RP)
- CUSTOM DEPTH: 16" to 23" deep**

### 18" High No Door



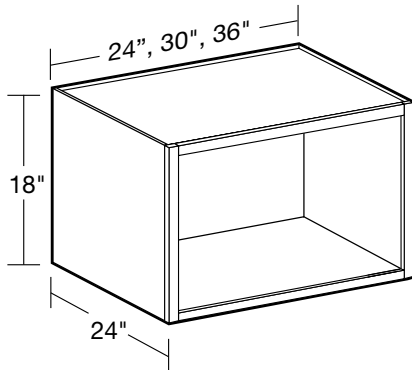
**W2418ND**  
**W3018ND**  
**W3618ND**



- No adjustable shelf
- CUSTOM DEPTH: 5" to 15" deep**

# Wall Cabinets with No Doors

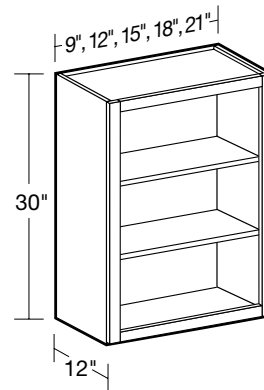
## 18" High x 24" Deep No Door



W242418ND  
W302418ND  
W362418ND

- No adjustable shelf
- Must be installed between two cabinets, cabinet and wall, or supported by refrigerator panels (RP)
- **CUSTOM DEPTH: 16" to 23" deep**

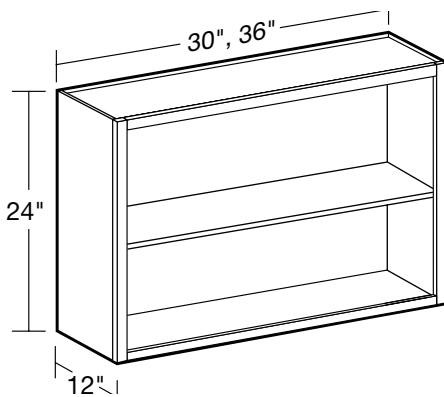
## 30" High No Door



W0930ND  
W1230ND  
W1530ND  
W1830ND  
W2130ND

- Two adjustable shelves, matching cabinet finish
- **CUSTOM DEPTH: 5" to 15" deep**

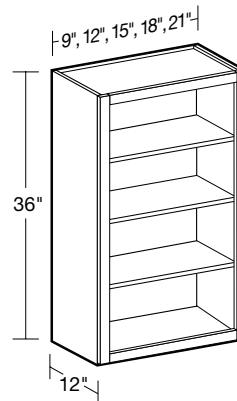
## 24" High No Door



W3024ND  
W3624ND

- One adjustable shelf, matching cabinet finish
- **CUSTOM DEPTH: 5" to 15" deep**

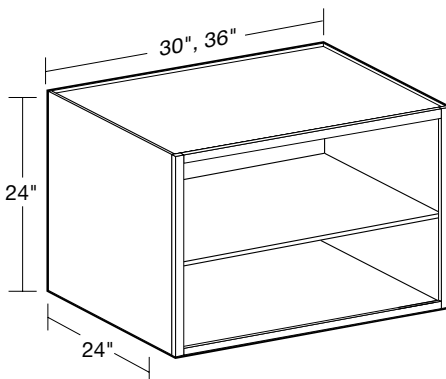
## 36" High No Door



W0936ND  
W1236ND  
W1536ND  
W1836ND  
W2136ND

- Three adjustable shelves, matching cabinet finish
- **CUSTOM DEPTH: 5" to 15" deep**

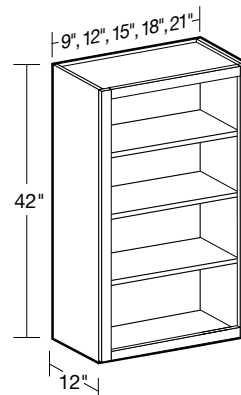
## 24" High x 24" Deep No Door



W302424ND  
W362424ND

- One adjustable shelf, matching cabinet finish
- Must be installed between two cabinets, cabinet and wall, or supported by refrigerator panels (RP)
- **CUSTOM DEPTH: 16" to 23" deep**

## 42" High No Door

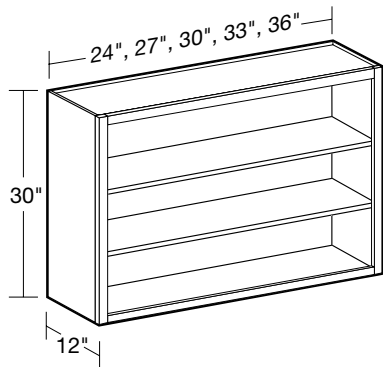


W0942ND  
W1242ND  
W1542ND  
W1842ND  
W2142ND

- Three adjustable shelves, matching cabinet finish
- **CUSTOM DEPTH: 5" to 15" deep**

# Wall Cabinets with No Doors

## 30" High No Door

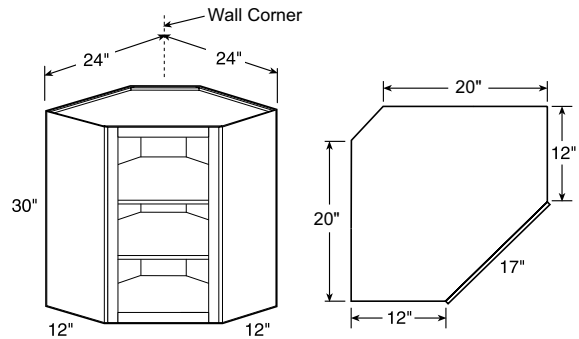


**W2430ND**  
**W2730ND**  
**W3030ND**  
**W3330ND**  
**W3630ND**

- Two adjustable shelves, matching cabinet finish
- **CUSTOM DEPTH: 5" to 15" deep**

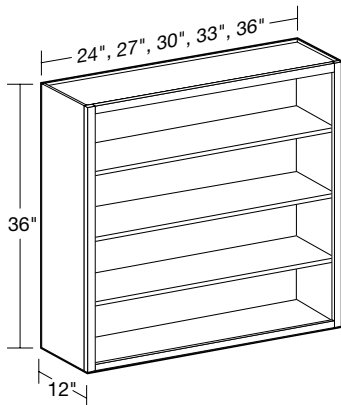
## 30" High Wall Angle

**WA2430ND**



- Two adjustable shelves, matching cabinet finish
- Clip corner back provides clearance for installation
- Clip corner back is 1/4" plywood

## 36" High No Door

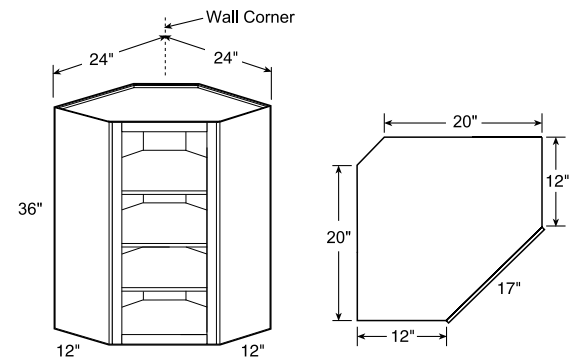


**W2436ND**  
**W2736ND**  
**W3036ND**  
**W3336ND**  
**W3636ND**

- Three adjustable shelves, matching cabinet finish
- **CUSTOM DEPTH: 5" to 15" deep**

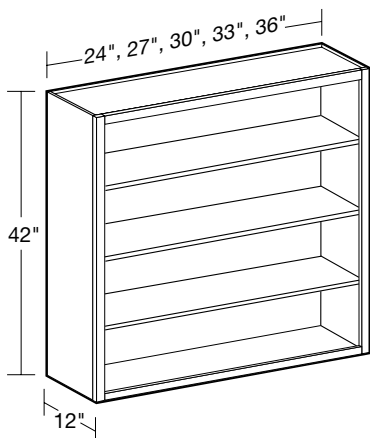
## 36" High Wall Angle

**WA2436ND**



- Three adjustable shelves, matching cabinet finish
- Clip corner back provides clearance for installation
- Clip corner back is 1/4" plywood

## 42" High No Door

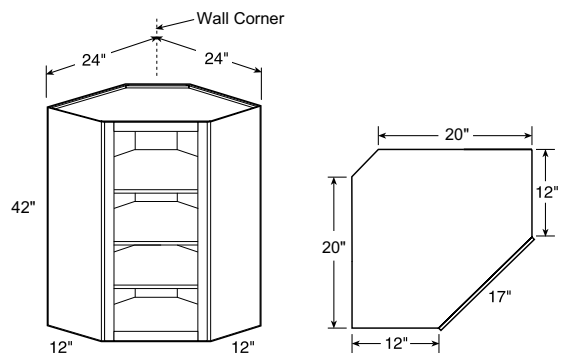


**W2442ND**  
**W2742ND**  
**W3042ND**  
**W3342ND**  
**W3642ND**

- Three adjustable shelves, matching cabinet finish
- **CUSTOM DEPTH: 5" to 15" deep**

## 42" High Wall Angle

**WA2442ND**

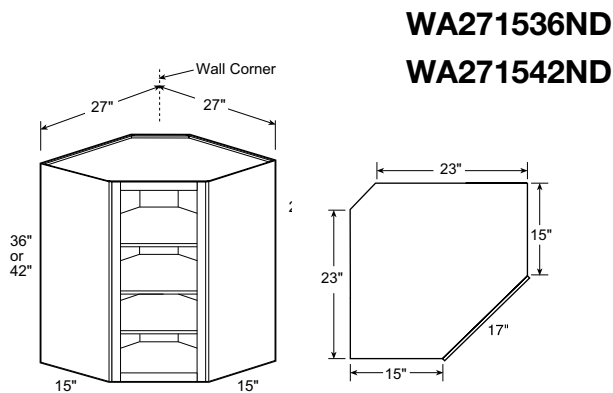


- Three adjustable shelves, matching cabinet finish
- Clip corner back provides clearance for installation
- Clip corner back is 1/4" plywood



# Wall Cabinets with No Doors

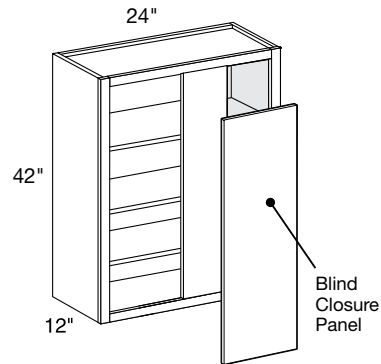
## 36" and 42" High x 15" Deep Wall Angle



**WA271536ND**  
**WA271542ND**

- Three adjustable shelves, matching cabinet finish
- Clip corner back provides clearance for installation
- Clip corner back is 1/4" plywood

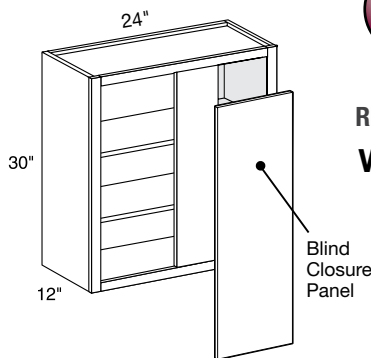
## 42" High Wall Blind Corner



**SPECIFY**  
**RIGHT or LEFT BLIND**  
**WBCU2742ND**

- Three adjustable shelves, matching cabinet finish
- Indicate R or L for blind side (right shown)
- Cabinet can be pulled for exact fit (see installation chart)
- 3" filler & 3/16" blind closure panel included
- **CUSTOM DEPTH: 5" to 15" deep**

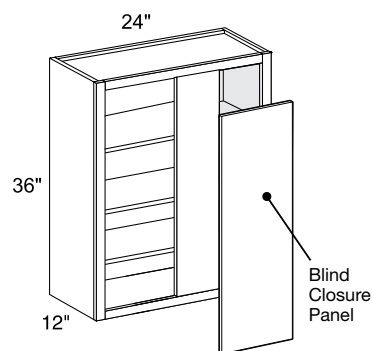
## 30" High Wall Blind Corner



**SPECIFY**  
**RIGHT or LEFT BLIND**  
**WBCU2730ND**

- Two adjustable shelves, matching cabinet finish
- Indicate R or L for blind side (right shown)
- Cabinet can be pulled for exact fit (see installation guide)
- 3" filler & 3/16" blind closure panel included
- **CUSTOM DEPTH: 5" to 15" deep**

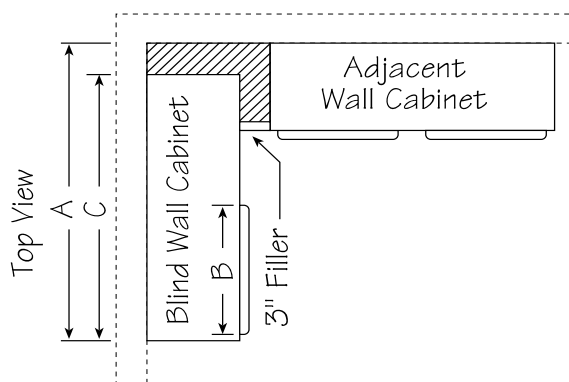
## 36" High Wall Blind Corner



**SPECIFY**  
**RIGHT or LEFT BLIND**  
**WBCU2736ND**

- Three adjustable shelves, matching cabinet finish
- Indicate R or L for blind side (right shown)
- Cabinet can be pulled for exact fit (see installation guide)
- 3" filler & 3/16" blind closure panel included
- **CUSTOM DEPTH: 5" to 15" deep**

## Blind Corner Installation Guide



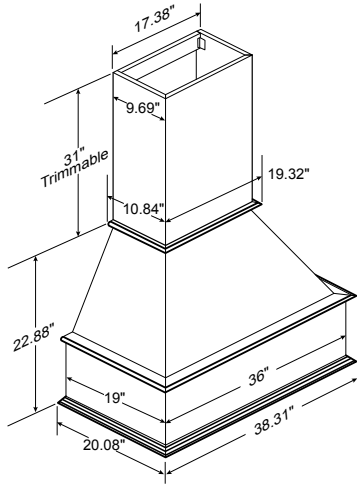
\*Gray area represents empty space. Cabinet is designed to be pulled for exact space.

BLIND WALL INSTALLATION GUIDE			
Cabinet	Wall Space "A"	Frame Opening	Cabinet
	Min - Max	Width "B"	Width "C"
WBCU2730	25" - 30"	8 <sup>7</sup> / <sub>8</sub> "	24"
WBCU2736	25" - 30"	8 <sup>7</sup> / <sub>8</sub> "	24"
WBCU2742	25" - 30"	8 <sup>7</sup> / <sub>8</sub> "	24"

# Wall Cabinets

## Range Hood Combo - Straight Valance

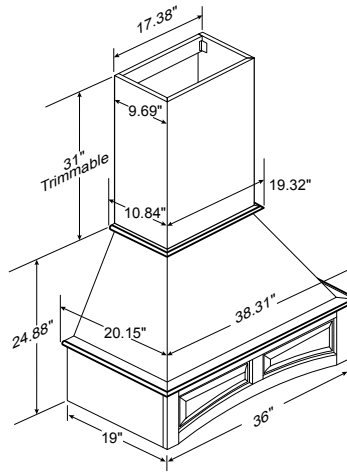
**WRHC36S**



- Available 36" width
- Includes Hood, Chimney, Hood Liner and Blower
- Chimney is trimmable to adjust the height
- Blower is 390 CFM, 6.0 sones, enclosed light
- Clearance of 3" on each side is recommended

## Range Hood Combo - Arched Valance

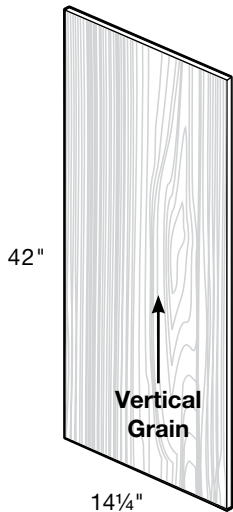
**WRHC36A**



- Available in 36" width
- Includes Hood, Chimney, Hood Liner and Blower
- Chimney is trimmable to adjust the height
- Blower is 390 CFM, 6.0 sones, enclosed light
- Clearance of 3" on each side is recommended
- Available in PW only

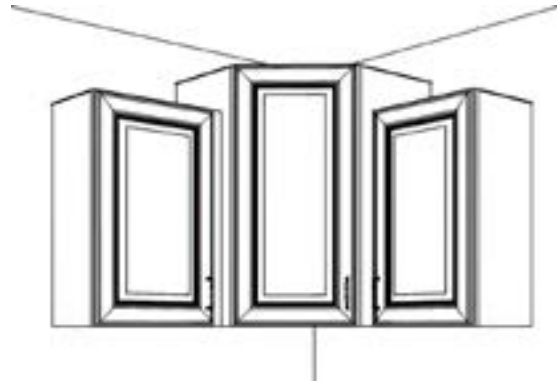
## 15" Wide Wall Skin

**WSK1542**



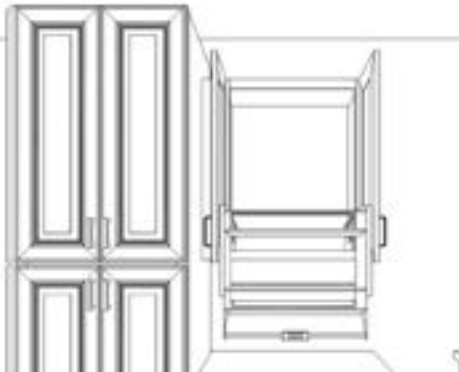
- 1/8" thick plywood finished with vinyl laminate color matched to cabinetry face frame
- Field modified and installed
- Can be modified for shallower depth and shorter wall cabinets
- Finish matches cabinetry face frame

## Staggering Upper Cabinets



When using the 27" Deep corner cabinets, make sure to place a 3/4" filler next to adjacent cabinet if the adjacent cabinet is shallower.

## Using the Wall Cabinet with accessories



Make sure to allow proper clearance on each side so doors can open 90 degrees or more. This will allow the interior accessory to pull down correctly.

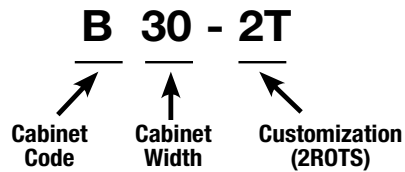
## Placing wall cabinets next to a return wall



When placing cabinets against a side wall, use a minimum of 3/4" filler between wall and cabinet to allow doors to open

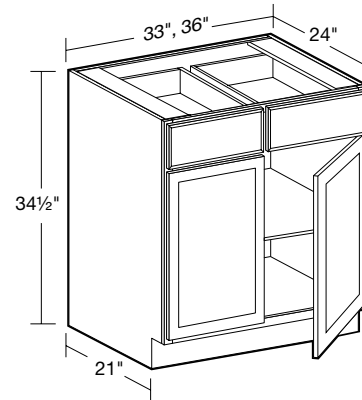
# Base Cabinets

## BASE CABINET CODING



- Standard Base Cabinets are 24" deep and 34½" high
- Desk Height base cabinets are 21" deep and 28½" high
- Cabinet depth does not include door thickness
- Products are available in all door styles unless stated otherwise
- Standard cabinet exterior is color matched to face frame
- Base cabinets are shipped with an unfinished toekick. Finished toekicks in matching wood veneer or painted MDF must be ordered separately and field installed.
- Soft close hinges & full extension drawers with soft close

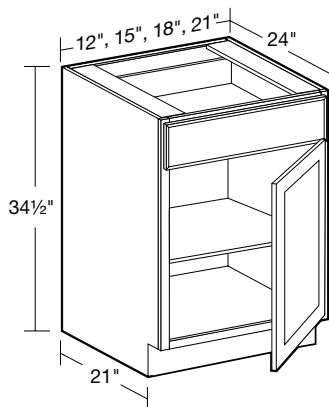
### 24" Deep Double Door



**B33**  
**B36**

- One full-depth adjustable shelf
- **CUSTOM DEPTH: 9" to 23" deep (9" to 14" deep options have false front & no drawer)**

### 24" Deep Single Door



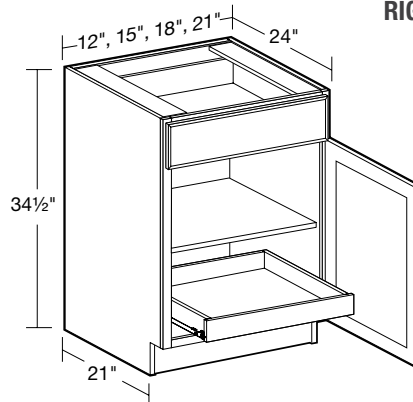
**SPECIFY RIGHT or LEFT HINGED**

**B12**  
**B15**  
**B18**  
**B21**

- One full-depth adjustable shelf
- **CUSTOM DEPTH: 9" to 23" deep (9" to 14" deep options have false front & no drawer)**

### 24" Deep Single Door with 1 Roll-Out Tray

**SPECIFY RIGHT or LEFT HINGED**

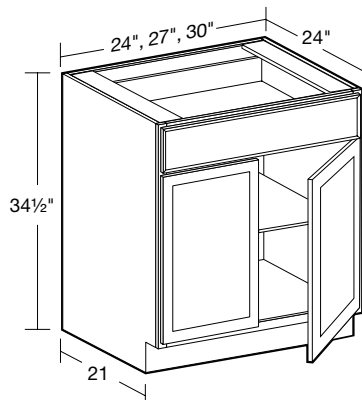


**B12-1T**  
**B15-1T**  
**B18-1T**  
**B21-1T**

- One full-depth adjustable shelf
- One full width roll-out tray

**NOTE: Roll-out trays are not full extension, soft close or adjustable**

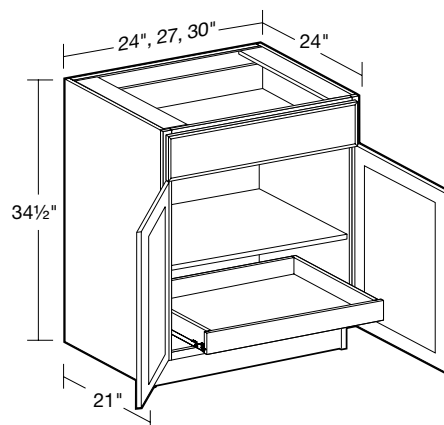
### 24" Deep Double Door



**B24**  
**B27**  
**B30**

- One full-depth adjustable shelf
- **CUSTOM DEPTH: 9" to 23" deep (9" to 14" deep options have false front & no drawer)**

### 24" Deep Double Door with 1 Roll-Out Tray



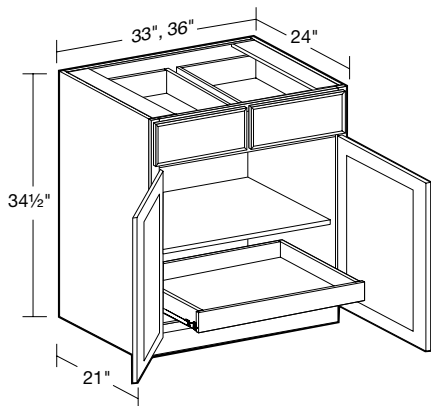
**B24-1T**  
**B27-1T**  
**B30-1T**

- One full-depth adjustable shelf
- One full width roll-out tray

**NOTE: Roll-out trays are not full extension, soft close or adjustable**

# Base Cabinets

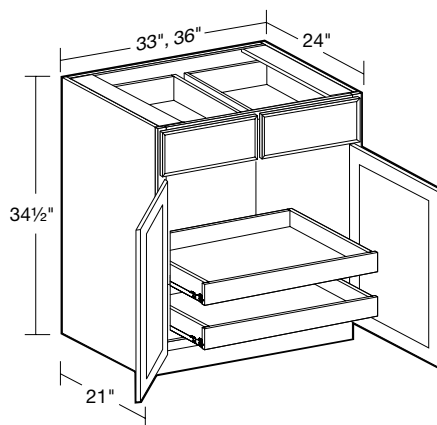
## 24" Deep Double Door with 1 Roll-Out Tray



**B33-1T**  
**B36-1T**

- One full-depth adjustable shelf
  - One full width roll-out tray
- NOTE:** Roll-out trays are not full extension, soft close or adjustable

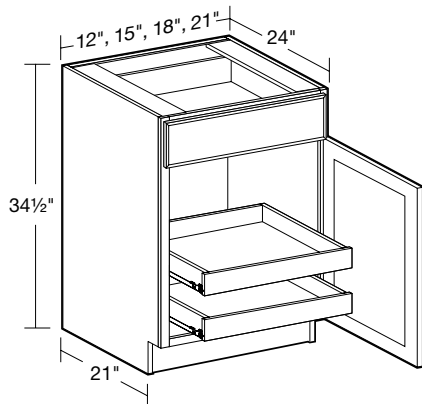
## 24" Deep Double Door with 2 Roll-Out Trays



**B33-2T**  
**B36-2T**

- Two full-depth roll-out trays
- NOTE:** Roll-out trays are not full extension, soft close or adjustable

## 24" Deep Single Door with 2 Roll-Out Trays



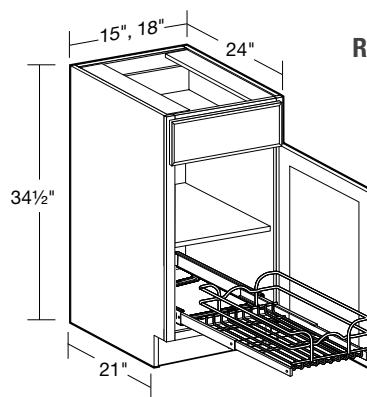
**SPECIFY**  
**RIGHT or LEFT HINGED**

**B12-2T**  
**B15-2T**  
**B18-2T**  
**B21-2T**

- Two full width roll-out trays

**NOTE:** Roll-out trays are not full extension, soft close or adjustable

## 24" Deep Single Door with 1 Chrome Roll-Out Tray

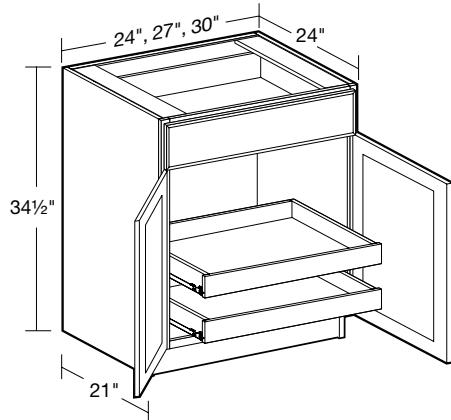


**SPECIFY**  
**RIGHT or LEFT HINGED**

**B15-1WT**  
**B18-1WT**

- **FIELD INSTALLED**
- One full width chrome wire roll-out tray
- 100 lb rated full-extension, ball bearing slides (not soft close)
- Floor mounting, not adjustable

## 24" Deep Double Door with 2 Roll-Out Trays

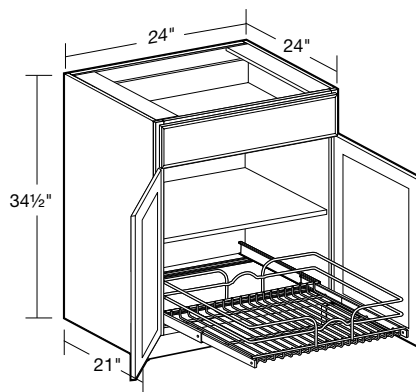


**B24-2T**  
**B27-2T**  
**B30-2T**

- Two full width roll-out trays

**NOTE:** Roll-out trays are not full extension, soft close or adjustable

## 24" Deep Double Door with 1 Chrome Roll-Out Tray

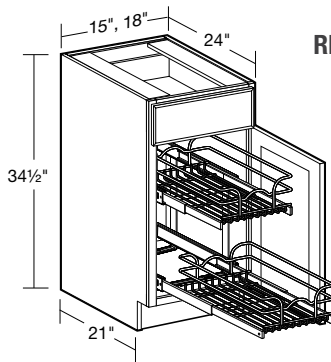


**B24-1WT**

- **FIELD INSTALLED**
- One full width chrome wire roll-out tray
- 100 lb rated full-extension, ball bearing slides (not soft close)
- Floor mounting, not adjustable

# Base Cabinets

## 24" Deep Single Door with 2 Chrome Roll-Out Trays



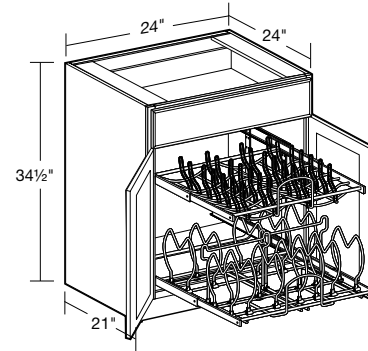
SPECIFY  
RIGHT or LEFT HINGED

**B15-2WT**

**B18-2WT**

- **FIELD INSTALLED**
- Two full width chrome wire roll-out trays
- Features 100lb rated full-extension, ball bearing slides (not soft close)
- (3) adjustable heights
- Floor, side, and rear mounted

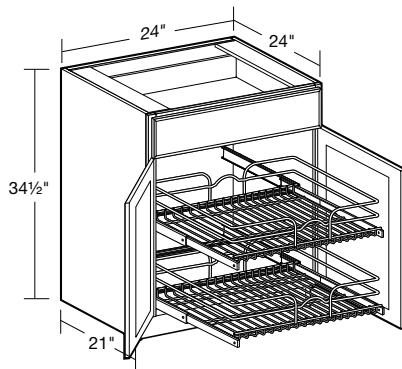
## 24" Deep Double Door with 2-Tier Cookware Organizer



**B24-CWO**

- **FIELD INSTALLED**
- Two chrome wire tiers operate independently
- Adjustable dividers on bottom tier accommodate different size pots and pans
- Floor, side, and rear mounted
- 100lb rated full-extension soft close ball-bearing slides

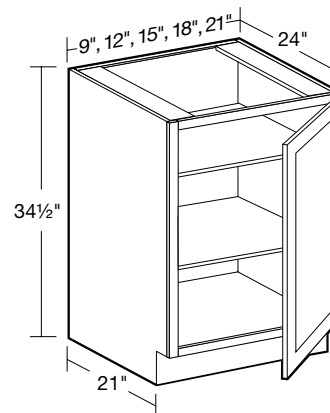
## 24" Deep Double Door with 2 Chrome Roll-Out Trays



**B24-2WT**

- **FIELD INSTALLED**
- Two full width chrome wire roll-out trays
- Features 100lb rated full-extension, ball bearing slides (not soft close)
- (3) adjustable heights
- Floor, side, and rear mounted

## 24" Deep Single Full Height Door



SPECIFY  
RIGHT or LEFT HINGED

**B09FH**

**B12FH**

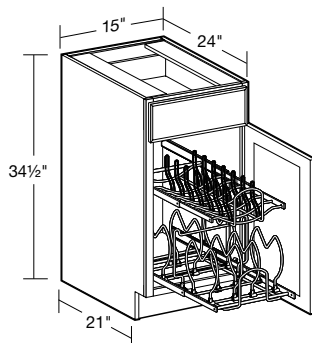
**B15FH**

**B18FH**

**B21FH**

- Two full-depth adjustable shelves
- **CUSTOM DEPTH: 9" to 23" deep**

## 24" Deep Single Door with 2-Tier Cookware Organizer

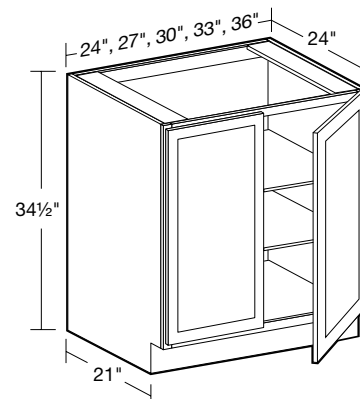


SPECIFY  
RIGHT or LEFT HINGED

**B15-CWO**

- **FIELD INSTALLED**
- Two chrome wire tiers operate independently
- Adjustable dividers on bottom tier accommodate different size pots and pans
- Floor, side, and rear mounted
- 100lb rated full-extension soft close ball-bearing slides

## 24" Deep Double Full Height Door



**B24FH**

**B27FH**

**B30FH**

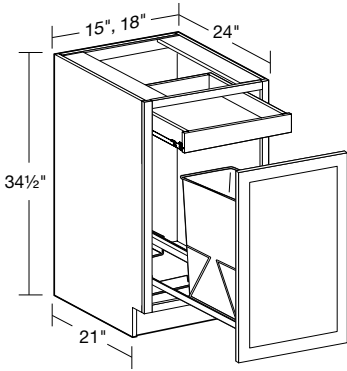
**B33FH**

**B36FH**

- Two full-depth adjustable shelves
- **CUSTOM DEPTH: 9" to 23" deep**

# Base Cabinets

## 24" Deep Single 35 qt. Waste Basket Pullout

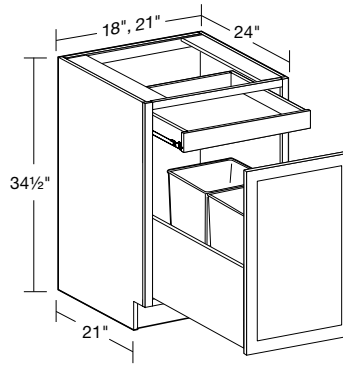


**B1WB15**  
**B1WB18**

- Basket slides on heavy duty, full extension runners
- 35 quart white plastic basket sits in a white epoxy coated wire frame
- Basket is removable

- Basket dimensions: 10"W x 14"D x 18"H
- Top mount roll-out tray for trash bag storage
- **SOFT CLOSE NOT AVAILABLE**

## 24" Deep DELUXE Double 35 qt. Waste Basket Pullout

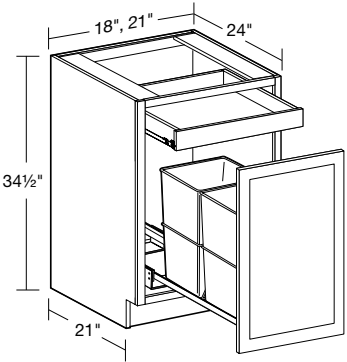


**B2DWB18**  
**B2DWB21**

- Baskets slide on heavy duty, full extension, Soft Close runners
- Two 35 quart white plastic baskets sit in a dovetailed plywood drawer box
- Baskets are removable

- Basket dimensions: 14"W x 10"D x 18"H
- Top mount roll-out tray for trash bag storage
- **SOFT CLOSE INCLUDED!**

## 24" Deep Double 27 qt. Waste Basket Pullout

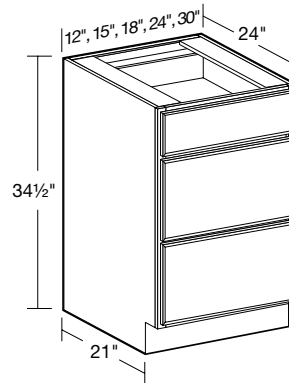


**B2WB18**  
**B2WB21**

- Baskets slide on heavy duty, full extension runners
- Two 27 quart white plastic baskets sit in a white epoxy coated wire frame
- Baskets are removable

- Basket dimensions: 11"W x 11"D x 18"H
- Top mount roll-out tray for trash bag storage
- **SOFT CLOSE NOT AVAILABLE**

## 24" Deep Base - 3 Drawers

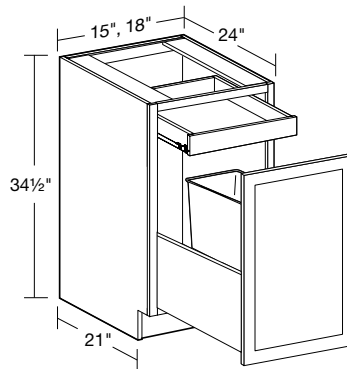


**BD12\***  
**BD15**  
**BD18**  
**BD24**  
**BD30**

- One standard top drawer
- Two deep drawers
- **CUSTOM DEPTH: 15" to 23" deep**

\* Maximum drawer handle width for lower drawers is 4" wide for raised panel styles, 5 1/2" wide for recessed panel styles.

## 24" Deep DELUXE Single 35 qt. Waste Basket Pullout

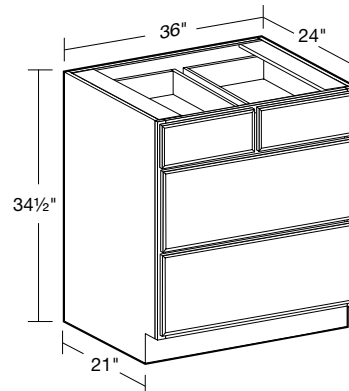


**B1DWB15**  
**B1DWB18**

- Basket slides on heavy duty, full extension, Soft Close runners
- 35 quart white plastic basket sits in a dovetailed plywood drawer box
- Basket is removable

- Basket dimensions: 14"W x 10"D x 18"H
- Top mount roll-out tray for trash bag storage
- **SOFT CLOSE INCLUDED!**

## 24" Deep Base - 4 Drawers



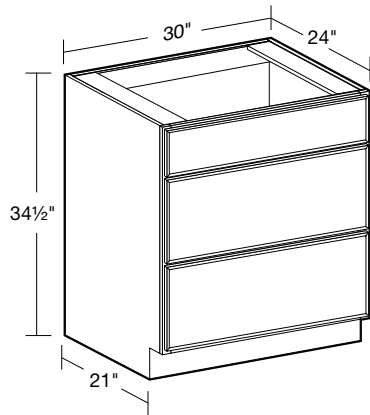
**BD36**

- Two standard top drawers
- Two deep drawers
- **CUSTOM DEPTH: 15" to 23" deep**



# Base Cabinets

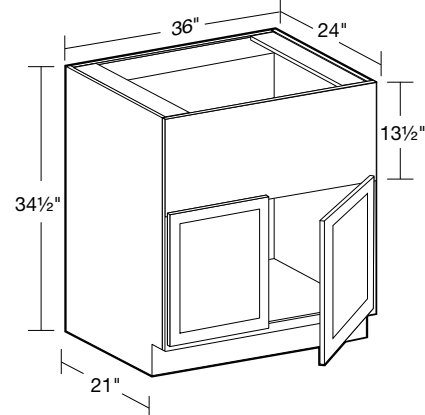
## 24" Deep Base Cooktop - Single False Front



**BCT30**

- False top drawer front
- Two deep drawers
- Accepts drop-in cooktop

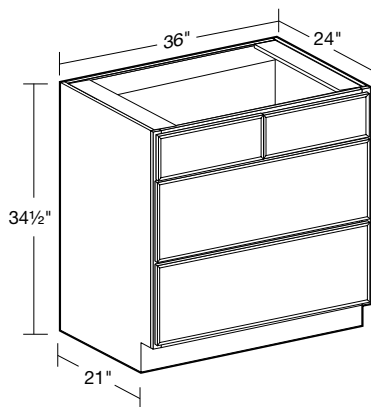
## 24" Deep Farm Sink Base



**FSB36**

- Front rail is field modified to fit sink
- No shelf
- **CUSTOM DEPTH: 9" to 23" deep**

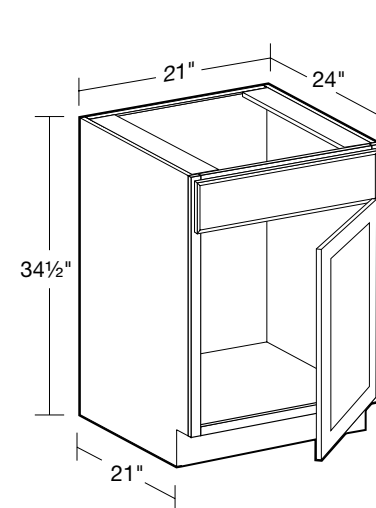
## 24" Deep Base Cooktop - Double False Front



**BCT36**

- False top drawer fronts
- Two deep drawers
- Accepts drop-in cooktop

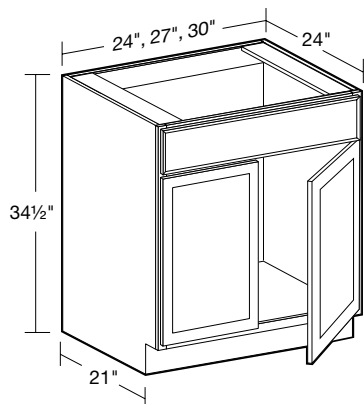
## 21" Deep Single Door Sink Base



**SPECIFY  
RIGHT or LEFT HINGED  
SB21**

- Maximum sink cutout 19" wide
- No shelf
- False drawer front

## 24" Deep Sink Base



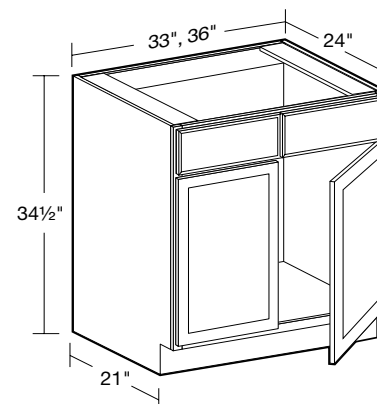
**SB24**

**SB27**

**SB30**

- No shelf, false drawer front
- May also be used as drop-in cooktop base
- **CUSTOM DEPTH: 9" to 23" deep**

## 24" Deep Sink Base



**SB33**

**SB36**

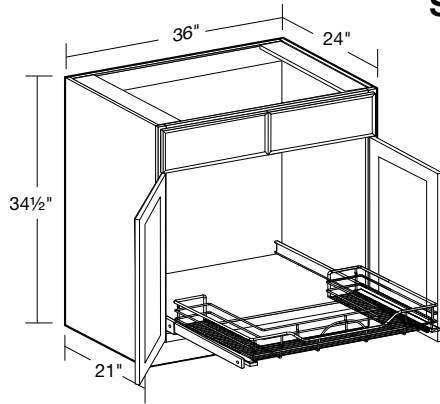
- No shelf, two false drawer fronts
- May also be used as drop-in cooktop base
- **CUSTOM DEPTH: 9" to 23" deep**



# Base Cabinets

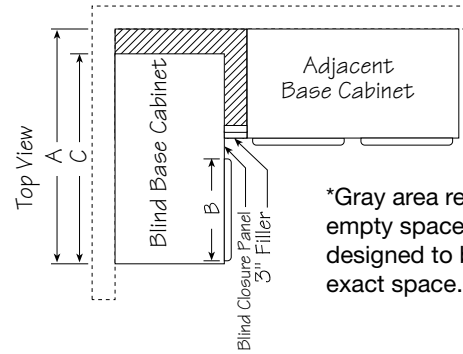
## 24" Deep Sink Base with 1 Chrome Roll-out Tray

**SB36-1USWP**



- No Shelf, two false drawer fronts
- One full width U-shaped chrome wire roll-out tray (not soft close)
- Designed to fit around sink plumbing

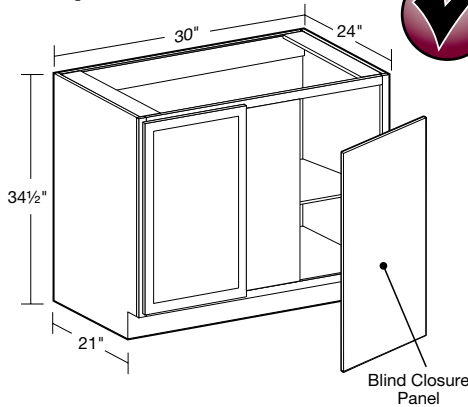
## Blind Base Corner Installation



\*Gray area represents empty space. Cabinet is designed to be pulled for exact space.

BLIND BASE INSTALLATION GUIDE				
Cabinet	Wall Space "A"		Frame Opening	Cabinet
	Min	Max	Width "B"	Width "C"
BBCU39	39"	42"	8 <sup>7</sup> / <sub>8</sub> "	30"
BBCU42	42"	45"	12"	36"

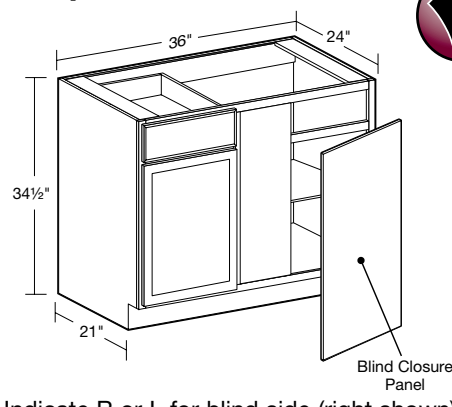
## 24" Deep Blind Base Corner



**SPECIFY  
RIGHT or  
LEFT BLIND  
BBCU39**

- Indicate R or L for blind side (right shown)
- Cabinet can be pulled for exact fit (see installation chart)
- 3" filler & 3/16" blind closure panel included
- Door width is 11-3/4"
- **CUSTOM DEPTH: 9" to 23" deep**

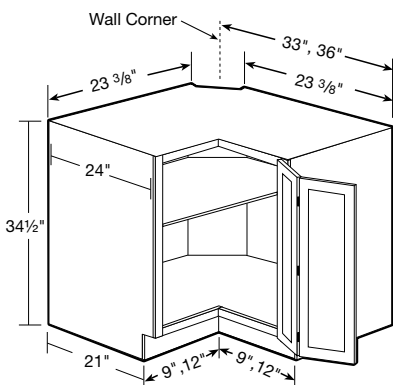
## 24" Deep Blind Base Corner



**SPECIFY  
RIGHT or  
LEFT BLIND  
BBCU42**

- Indicate R or L for blind side (right shown)
- Cabinet can be pulled for exact fit (see installation chart)
- 3" filler & 3/16" blind closure panel included
- Door width is 14-3/4"
- **CUSTOM DEPTH: 9" to 23" deep (9" to 14" deep options have false front & no drawer)**

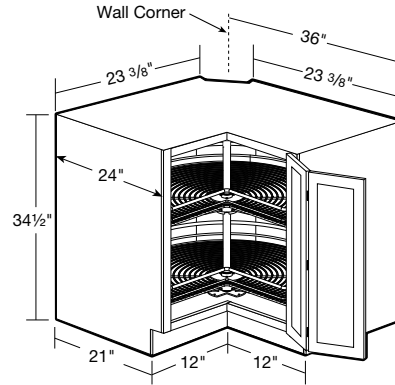
## 33" and 36" Easy Reach



**SPECIFY  
RIGHT or LEFT HINGED  
EZR33  
EZR36**

- One full-depth straight adjustable shelf (reversible)
- Doors open 170 degrees for easy access
- Clip corner is 1/4" plywood
- **SOFT CLOSE DOOR (SCD) OPTION NOT AVAILABLE**

## 36" Easy Reach Chrome Susan

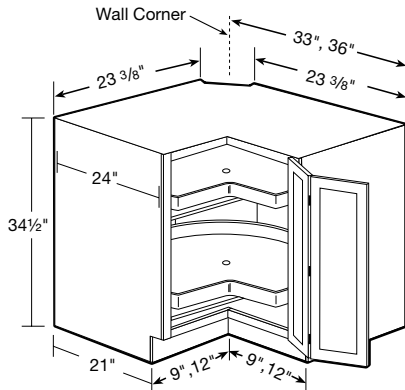


**SPECIFY  
RIGHT or LEFT HINGED  
EZR36-2WLS**

- **CHROME SUSAN FIELD INSTALLED**
- Doors open 170 degrees for easy access
- Clip corner is 1/4" plywood
- **SOFT CLOSE DOOR (SCD) OPTION NOT AVAILABLE**

# Base Cabinets

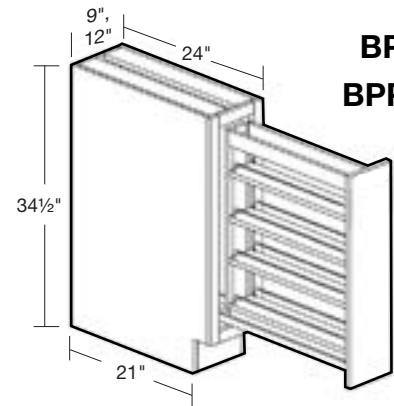
## 33" and 36" Easy Reach Super Suzan



SPECIFY  
RIGHT or LEFT HINGED  
**EZR33SS**  
**EZR36SS**

- Two 26" or 28" diameter, pie-cut independently revolving all wood shelves
- Doors open 170 degrees for easy access
- Clip corner is 1/4" plywood
- **SOFT CLOSE DOOR (SCD) OPTION NOT AVAILABLE**

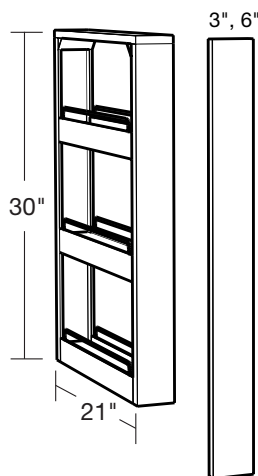
## 24" Deep Base Pantry Pullout



**BPPO9**  
**BPPO12**

- Available in 9" & 12" width cabinets
- Full extension ball bearing slides provide stable, smooth pullout function
- Adjustable shelves with chrome rails

## 24" Deep Filler Pantry Pullout

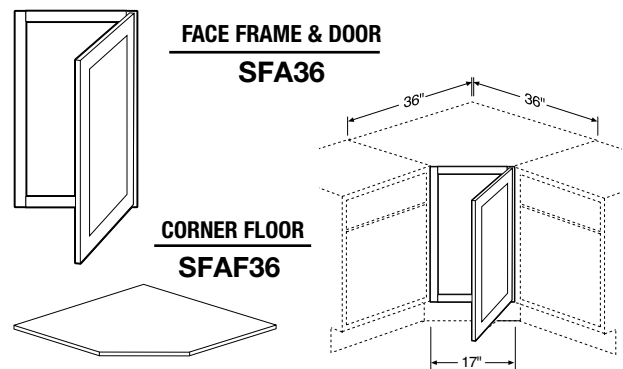


**BFPO3**  
**BFPO6**

- Available in 3" & 6" widths with matching Filler Strip
- Full extension ball bearing slides provide stable, smooth pullout function
- Adjustable shelves with chrome rails
- Pull-out unit must be installed between two cabinets or cabinet and wall\*
- Filler strip attached to pull-out unit after installation

\*See page 31 for tip when installing between a cabinet and a wall

## Sink Front Angle



- Angle sink front must be installed between two cabinets
- Frame/door can be installed with hinges on right or left
- Floor support and toe base must be field constructed
- Maximum sink width for this application 25 3/4"

## Built-in Microwave Base Modification

This assembly requires a drawer base, either 24" or 30" wide - depending on the size of the built in microwave you purchase separately.

Assembly requires the onsite removal of the top two drawers from the cabinet. Consult the manufacturer specifications for cut out dimensions, as additional modification may be required.



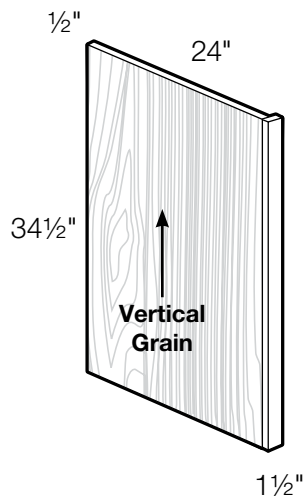
Depending on the cut out dimensions the use of a filler (FS30), to fill the gap between the bottom of the microwave and the drawer. Consult the manufacturer specifications for proper support and possible use of a trim kit\*.

\*Trim kit and microwave will be purchased independently from supplier of your choice.

# Base Cabinets

## 24" Deep End Panel with 1 1/2" wide Filler

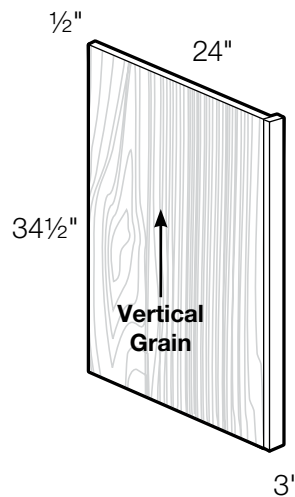
**BP1.5**



- 1 1/2" wide solid wood filler included
- Panel and filler supplied loose for field assembly
- Reversible, may be installed left or right
- 1/2" thick plywood panel finished with vinyl laminate color matched to cabinetry face frame

## 24" Deep End Panel with 3" wide Filler

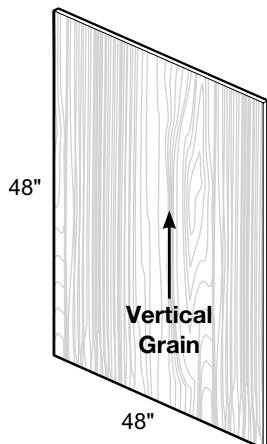
**BP3**



- 3" wide solid wood filler included
- Panel and filler supplied loose for field assembly
- Reversible, may be installed left or right
- 1/2" thick plywood panel finished with vinyl laminate color matched to cabinetry face frame

## Island Skin

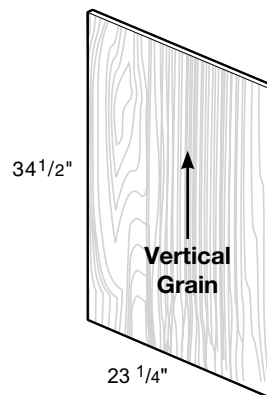
**ISK4848**



- 1/8" thick plywood finished with vinyl laminate color matched to cabinetry face frame
- Field modified and installed

## Base Skin

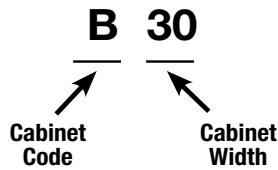
**BSK345**



- 1/8" thick plywood finished with vinyl laminate color matched to cabinetry face frame
- Field modified and installed
- Can be field modified for shallower depth cabinets
- Finish matches cabinetry face frame

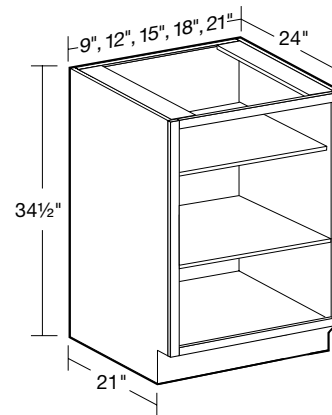
# Base Cabinets with No Doors

## BASE CABINET CODING



- Standard Base Cabinets are 24" deep and 34½" high
- Matching interiors are standard in base cabinets with no doors
- Standard cabinet exterior is color matched to face frame
- Base cabinets are shipped with an unfinished toekick. Finished toekicks in matching wood or painted MDF must be ordered separately and field installed.

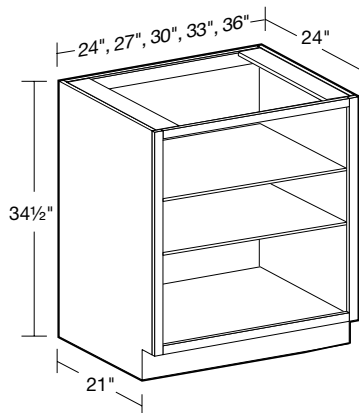
### 24" Deep Single Full Height No Door



- B09ND**
- B12ND**
- B15ND**
- B18ND**
- B21ND**

- Two full-depth adjustable shelves
- **CUSTOM DEPTH: 9" to 23" deep**

### 24" Deep Double Full Height No Door



- B24ND**
- B27ND**
- B30ND**
- B33ND**
- B36ND**

- Two full-depth adjustable shelves
- **CUSTOM DEPTH: 9" to 23" deep**

### Using ND Base Cabinets



Customize the depth of B24ND down to 12" you can use it on the end of a cabinet run for an interesting transition in the kitchen. This option is shown with a MWEP30 on the exposed side of the ND cabinet to mimic a finished door.

### Using ND Base Cabinets



Use only one adjustable shelf in a B24ND or wider in your laundry room to allow space to store laundry baskets.

### Base Filler Pull outs



If placing next to a wall - Must use BP1.5 or BP3 between wall and pull out.

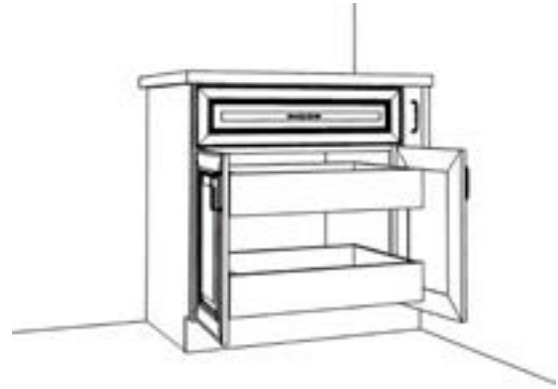
# Base Cabinets Design Tips

## Designing Around a Range



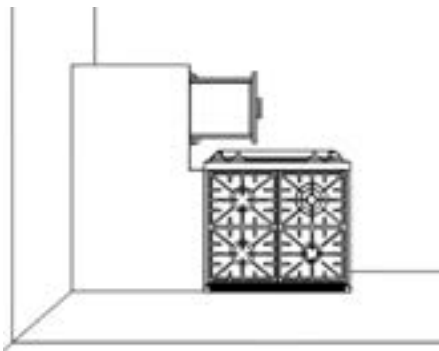
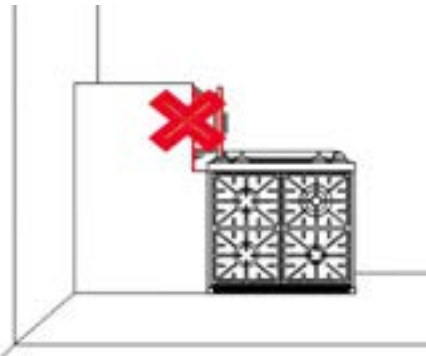
Make sure to give landing space on each side of a cooking appliance when placing in design.

## Clearance for Roll Out Trays



Be sure to leave enough clearance for doors to open at least 90 degrees. This will allow the roll out trays to be operated correctly.

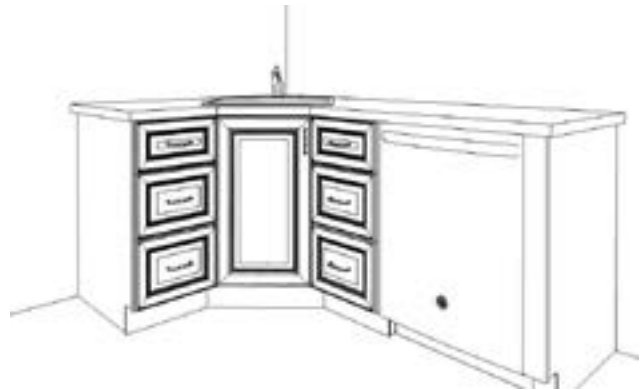
## Blind Cabinets with Drawers



When placing a blind base cabinet, cabinet with drawer or trash pull out, make sure to allow enough clearance so drawer/pull out will open fully.

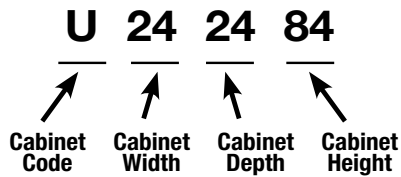
Make sure to leave enough space to allow drawer to open if placing around corner from range or appliance.

## Using a Sink Front Angle



For sufficient dishwasher door clearance and loading/unloading space, a 15" wide base cabinet is recommended for use between a corner sink base and dishwasher.

## TALL CABINET CODING



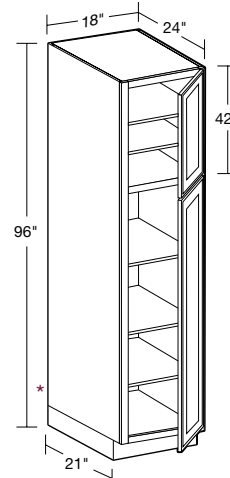
- Standard Tall Cabinets are 24" deep
- Add door thickness for total cabinet depth
- Products are available in all door styles unless stated otherwise
- Standard cabinet exterior is color matched to face frame
- Soft close hinges

### 24" Deep Two Door Utility



SPECIFY  
RIGHT or LEFT HINGED

**U182496**



- One fixed shelf dividing upper and lower doors, five adjustable shelves
- Optional rollout trays or additional shelves available
- TSK96 is recommended if the cabinet will be on the end of a run
- \* Loose toe kick box for ease of installation
- **CUSTOM DEPTH: 9" to 23" deep**

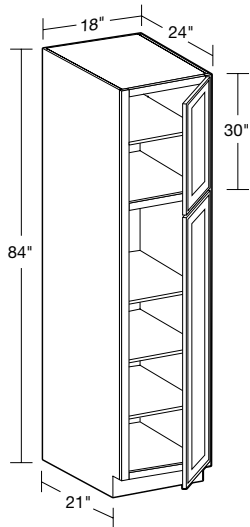
**NOTE:** Loose toe kick box will have a finished side, but will have a seam at bottom

### 24" Deep Two Door Utility



SPECIFY  
RIGHT or LEFT HINGED

**U182484**

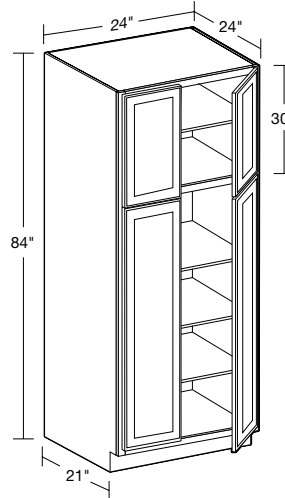


- One fixed shelf dividing upper and lower doors, four adjustable shelves
- Optional rollout trays or additional shelves available
- **CUSTOM DEPTH: 9" to 23" deep**

### 24" Deep Four Butt Door Utility



**U242484**



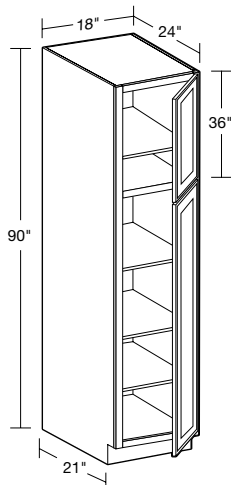
- One fixed shelf dividing upper and lower doors, four adjustable shelves
- Optional rollout trays or additional shelves available
- **CUSTOM DEPTH: 9" to 23" deep**

### 24" Deep Two Door Utility



SPECIFY  
RIGHT or LEFT HINGED

**U182490**



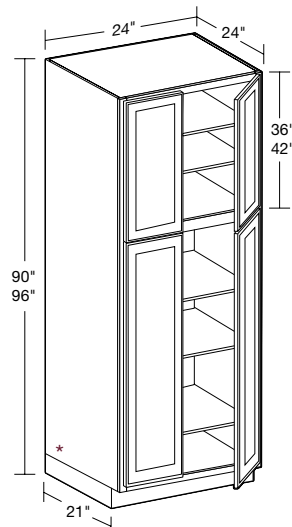
- One fixed shelf dividing upper and lower doors, four adjustable shelves
- Optional rollout trays or additional shelves available
- **CUSTOM DEPTH: 9" to 23" deep**

### 24" Deep Four Butt Door Utility



**U242490**

**U242496**

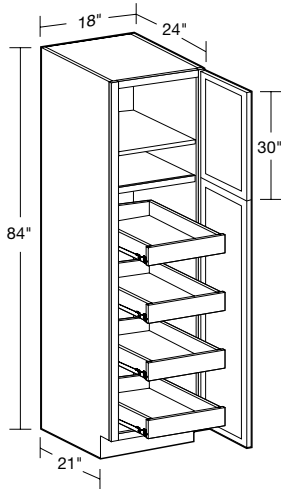


- One fixed shelf dividing upper and lower doors, five adjustable shelves
- Optional rollout trays or additional shelves available
- TSK96 is recommended if the cabinet will be on the end of a run
- \* On 96", loose toe kick box for ease of installation
- **CUSTOM DEPTH: 9" to 23" deep**

**NOTE:** Loose toe kick box will have a finished side, but will have a seam at bottom

# Tall Cabinets

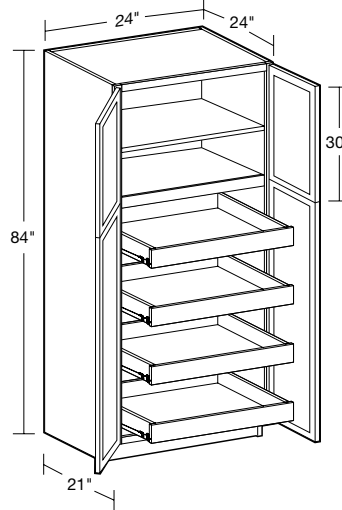
## 24" Deep Two Door Utility with Four Rollout Trays



SPECIFY  
RIGHT or LEFT HINGED  
**U182484-4T**

- One fixed shelf dividing upper and lower doors
- Four repositionable, full width rollout trays
- One adjustable shelf

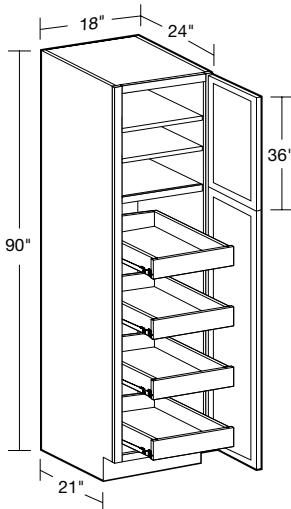
## 24" Deep Four Butt Door Utility with Four Rollout Trays



**U242484-4T**

- One fixed shelf dividing upper and lower doors
- Four repositionable, full width rollout trays
- One adjustable shelf

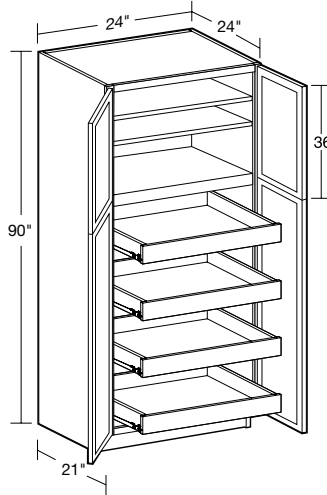
## 24" Deep Two Door Utility with Four Rollout Trays



SPECIFY  
RIGHT or LEFT HINGED  
**U182490-4T**

- One fixed shelf dividing upper and lower doors
- Four repositionable, full width rollout trays
- Two adjustable shelves

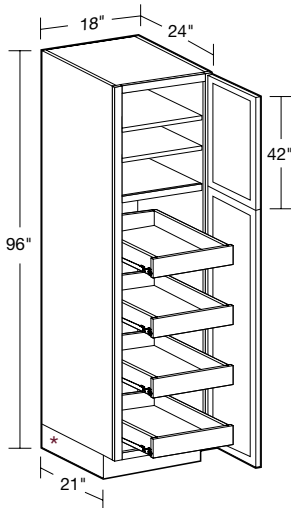
## 24" Deep Four Butt Door Utility with Four Rollout Trays



**U242490-4T**

- One fixed shelf dividing upper and lower doors
- Four repositionable, full width rollout trays
- Two adjustable shelves

## 24" Deep Two Door Utility with Four Rollout Trays

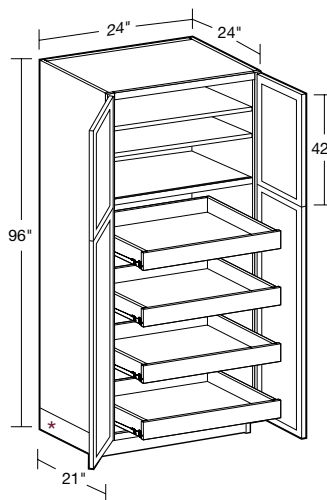


SPECIFY  
RIGHT or LEFT HINGED  
**U182496-4T**

- One fixed shelf dividing upper and lower doors
- Four repositionable, full width rollout trays
- Two adjustable shelves
- TSK96 is recommended if the cabinet will be on the end of a run
- \* Loose toe kick box for ease of installation

**NOTE:** Loose toe kick box will have a finished side, but will have a seam at bottom

## 24" Deep Four Butt Door Utility with Four Rollout Trays



**U242496-4T**

- One fixed shelf dividing upper and lower doors
- Four repositionable, full width rollout trays
- Two adjustable shelves
- TSK96 is recommended if the cabinet will be on the end of a run
- \* Loose toe kick box for ease of installation

**NOTE:** Loose toe kick box will have a finished side, but will have a seam at bottom

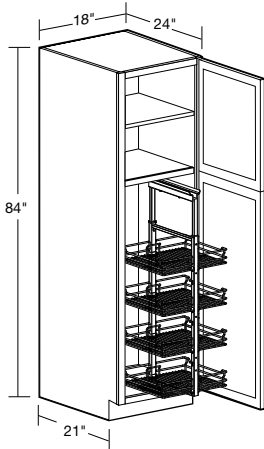


# Tall Cabinets

## 24" Deep Two Door Utility with Four Pull-out Chrome Trays

SPECIFY  
RIGHT or LEFT HINGED

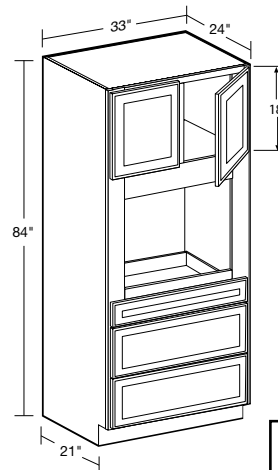
### U182484-PO4WS



- **FIELD INSTALLED PULL-OUT UNIT**
- Pull-out unit includes 4 chrome baskets and optional door mounts
- Top and bottom glides are soft closing and 250 lb. weight rated
- One fixed shelf dividing upper and lower door
- One adjustable upper shelf

## 24" Deep Universal Oven

### OC332484U



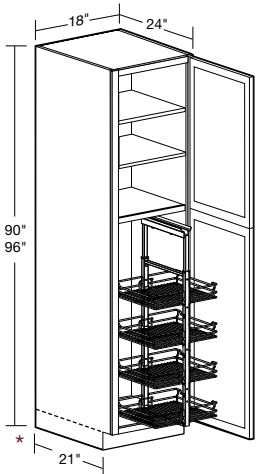
- Consult chart for oven cutout dimensions
- No adjustable shelf
- 3 field removable drawers
- 3" stiles in oven compartment
- For frame openings refer to page 61

CABINET	MIN. CUTOUT WIDTH	MAX CUTOUT WIDTH	MIN. CUTOUT HEIGHT	MAX CUTOUT HEIGHT
OC332484U	27"	31"	22"	60"

## 24" Deep Two Door Utility with Four Pull-out Chrome Trays

SPECIFY  
RIGHT or LEFT HINGED

### U182490-PO4WS U182496-PO4WS

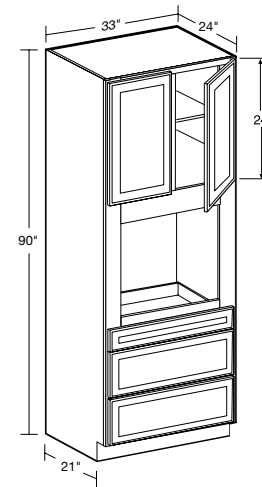


- **FIELD INSTALLED PULL-OUT UNIT**
- Pull-out unit includes 4 chrome baskets and optional door mounts
- Top and bottom glides are soft closing and 250 lb. weight rated
- One fixed shelf dividing upper and lower door
- Two adjustable upper shelves
- \* Loose toe kick box for ease of installation
- TSK96 is recommended if the cabinet will be on the end of a run

**NOTE:** Loose toe kick box will have a finished side, but will have a seam at bottom

## 24" Deep Universal Oven

### OC332490U

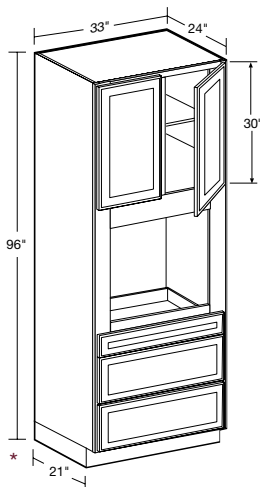


- Consult chart for oven cutout dimensions
- One adjustable shelf
- 3 field removable drawers
- 3" stiles in oven compartment
- For frame openings refer to page 61

CABINET	MIN. CUTOUT WIDTH	MAX CUTOUT WIDTH	MIN. CUTOUT HEIGHT	MAX CUTOUT HEIGHT
OC332490U	27"	31"	22"	60"

## 24" Deep Universal Oven

### OC332496U



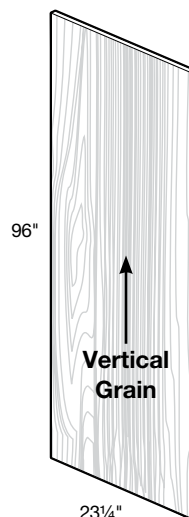
- Consult chart for oven cutout dimensions
- One adjustable shelf
- 3 field removable drawers
- 3" stiles in oven compartment
- \* Loose toe kick box for ease of installation
- TSK96 is recommended if the cabinet will be on the end of a run
- For frame openings refer to p.60

**NOTE:** Loose toe kick box will have a finished side, but will have a seam at bottom

CABINET	MIN. WIDTH	MAX WIDTH	MIN. HEIGHT	MAX HEIGHT
OC332496U	27"	31"	22"	69"

## Tall Skin

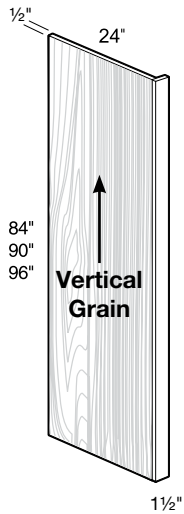
### TSK96



- 1/8" thick plywood finished with vinyl laminate color matched to cabinetry face frame
- Field modified and installed
- Can be modified for shallower depth and shorter tall cabinets
- Finish matches cabinetry face frame

# Tall Cabinets

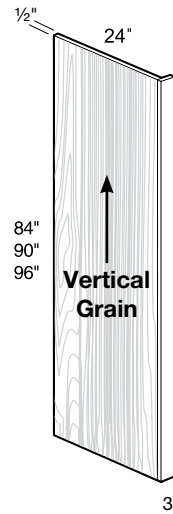
## 24" Deep Refrigerator Panel with 1 1/2" wide Filler



**RP1.584**  
**RP1.590**  
**RP1.596**

- 1 1/2" wide solid wood filler included
- Panel and filler supplied loose for field assembly
- Reversible, may be installed left or right
- 1/2" thick plywood panel finished with vinyl laminate color matched to cabinetry face frame
- Filler may be scribed up to 5/8"

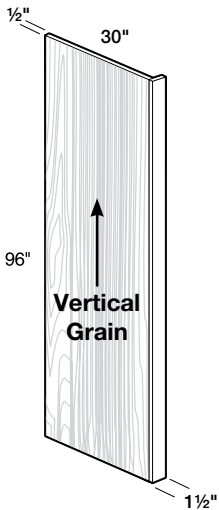
## 24" Deep Refrigerator Panel with 3" wide Filler



**RP384**  
**RP390**  
**RP396**

- 3" wide solid wood filler included
- Panel and filler supplied loose for field assembly
- Reversible, may be installed left or right
- 1/2" thick plywood panel finished with vinyl laminate color matched to cabinetry face frame
- Filler may be scribed up to 5/8"

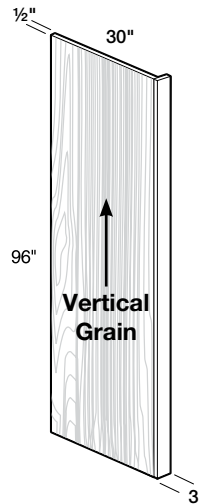
## 30" Deep Refrigerator Panel with 1 1/2" wide Filler



**RP1.53096**

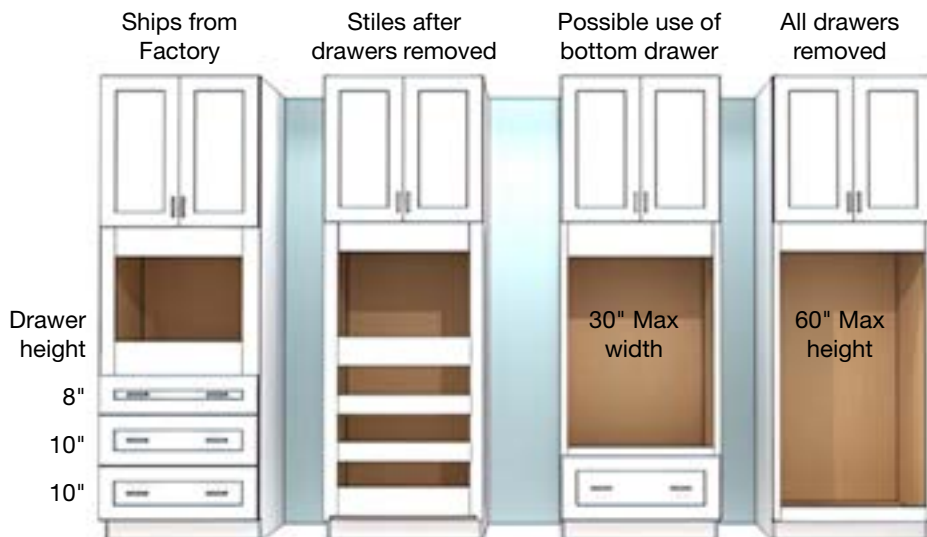
- 1 1/2" wide solid wood filler included
- Panel and filler supplied loose for field assembly
- Reversible, may be installed left or right
- Trimmable in field for 84" and 90" applications
- 1/2" thick plywood panel finished with vinyl laminate color matched to cabinetry face frame
- Filler may be scribed up to 5/8"

## 30" Deep Refrigerator Panel with 3" wide Filler



**RP33096**

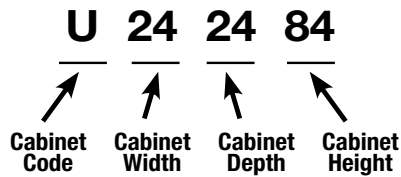
- 3" wide solid wood filler included
- Panel and filler supplied loose for field assembly
- Reversible, may be installed left or right
- Trimmable in field for 84" and 90" applications
- 1/2" thick plywood panel finished with vinyl laminate color matched to cabinetry face frame
- Filler may be scribed up to 5/8"



The Universal Oven cabinet will need to be modified on the job site to fit your specific appliance. By removing the drawers and stiles between the drawers you can achieve an opening height between 21" and 60", and a maximum width of 30". The height of the upper doors will not be affected with these modifications. Your appliance size and the amount of modification required will determine if the drawers will be able to be used. In some instances, the top drawer may be dropped to the bottom position, thus allowing a drawer to remain. Installation and modification of the cabinet is completed on your job site, not in the factory. Support for the appliance is not supplied by the cabinet company and will need to be determined based on appliance manufacture requirement.

# Tall Cabinets with Glass Doors

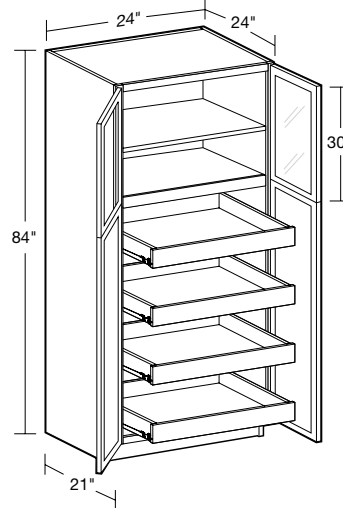
## TALL CABINET CODING



- Standard Tall Cabinets are 24" deep
- Add door thickness for total cabinet depth
- Not available in Waterford Vesper White (WVW), Wembley Veiled Gray (WVG) or Waterbury Vessel Blue (WVB)
- Clear glass ships separate from cabinets
- Standard cabinet exterior is color matched to face frame
- Matching interiors are standard in PFG cabinets
- Soft close hinges

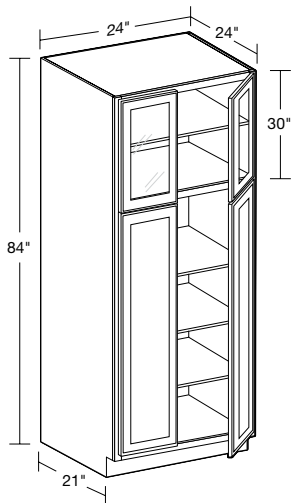
### 24" Deep Four Butt Door Utility with Four Rollout Trays

**U242484PFG-4T**



- Upper doors prepped for glass, matching cabinet interior throughout
- One fixed shelf dividing upper and lower doors
- Four repositionable, full width rollout trays in solid finger jointed hardwood; not a part of the matching cabinet interior
- One adjustable shelf

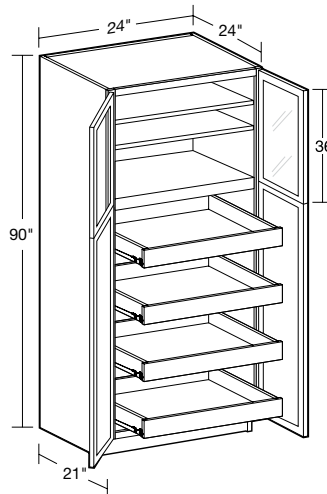
### 24" Deep Four Butt Door Utility



- Upper doors prepped for glass, matching cabinet interior throughout
- One fixed shelf dividing upper and lower doors, four adjustable shelves
- Optional rollout trays or additional shelves available
- **CUSTOM DEPTH: 9" to 23" deep**

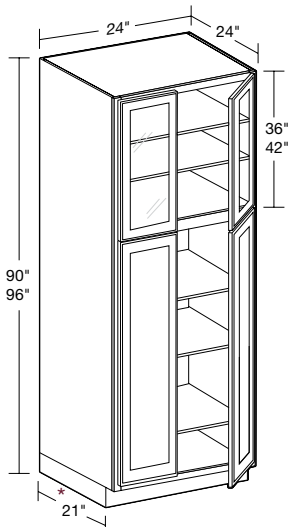
### 24" Deep Four Butt Door Utility with Four Rollout Trays

**U242490PFG-4T**



- Upper doors prepped for glass, matching cabinet interior throughout
- One fixed shelf dividing upper and lower doors
- Four repositionable, full width rollout trays in solid solid finger jointed hardwood; not a part of the matching cabinet interior
- Two adjustable shelves

### 24" Deep Four Butt Door Utility

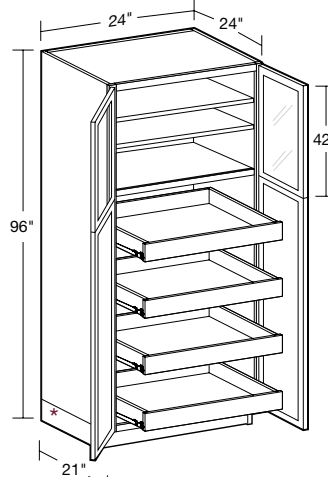


- Upper doors prepped for glass, matching cabinet interior throughout
- One fixed shelf dividing upper and lower doors, five adjustable shelves
- Optional rollout trays or additional shelves available
- \* On 96", loose toe kick box for ease of installation
- For 96" unit TSK96 is recommended if the cabinet will be on the end of a run
- **CUSTOM DEPTH: 9" to 23"**

**NOTE:** Loose toe kick box will have a finished side, but will have a seam at bottom

### 24" Deep Four Butt Door Utility with Four Rollout Trays

**U242496PFG-4T**



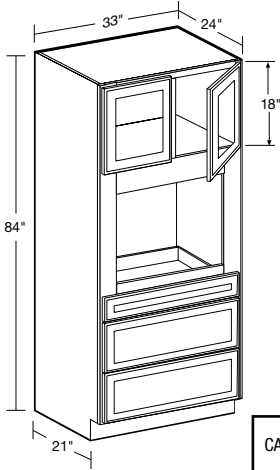
- Upper doors prepped for glass, matching cabinet interior throughout
- One fixed shelf dividing upper and lower doors
- Four repositionable, full width rollout trays in solid finger jointed hardwood; not a part of the matching cabinet interior
- Two adjustable shelves
- \* Loose toe kick box for ease of installation
- TSK96 is recommended if the cabinet will be on the end of a run

**NOTE:** Loose toe kick box will have a finished side, but will have a seam at bottom

# Glass Tall Cabinets with Glass Doors

## 24" Deep Universal Oven

**OC332484PFGU**



- Upper doors prepped for glass, matching cabinet interior throughout
- Consult chart for oven cutout dimensions
- No adjustable shelf
- 3 field removable drawers
- 3" stiles in oven compartment
- For frame openings refer to page 61

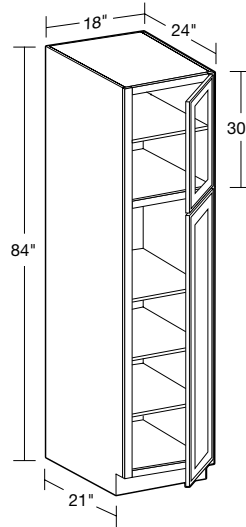
CABINET	MIN. CUTOUT WIDTH	MAX CUTOUT WIDTH	MIN. CUTOUT HEIGHT	MAX CUTOUT HEIGHT
OC332484U	27"	31"	22"	60"

## 24" Deep Two Door Utility



SPECIFY  
RIGHT or LEFT HINGED

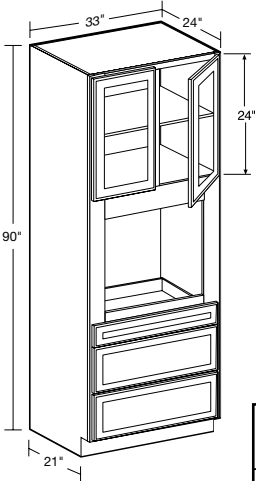
**U182484PFG**



- Upper doors prepped for glass, matching cabinet interior throughout
- One fixed shelf dividing upper and lower doors, four adjustable shelves
- Optional rollout trays or additional shelves available
- **CUSTOM DEPTH: 9" to 23" deep**

## 24" Deep Universal Oven

**OC332490PFGU**



- Upper doors prepped for glass, matching cabinet interior throughout
- Consult chart for oven cutout dimensions
- One adjustable shelf
- 3 field removable drawers
- 3" stiles in oven compartment
- For frame openings refer to page 61

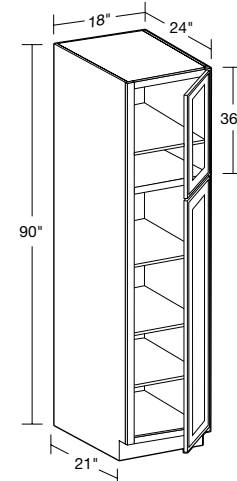
CABINET	MIN. CUTOUT WIDTH	MAX CUTOUT WIDTH	MIN. CUTOUT HEIGHT	MAX CUTOUT HEIGHT
OC332490U	27"	31"	22"	60"

## 24" Deep Two Door Utility



SPECIFY  
RIGHT or LEFT HINGED

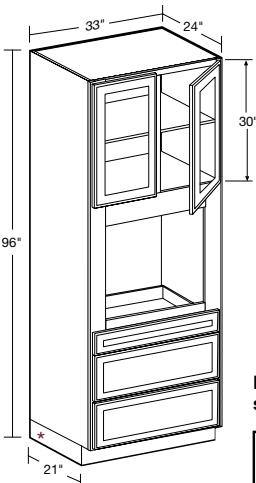
**U182490PFG**



- Upper doors prepped for glass, matching cabinet interior throughout
- One fixed shelf dividing upper and lower doors, four adjustable shelves
- Optional rollout trays or additional shelves available
- **CUSTOM DEPTH: 9" to 23" deep**

## 24" Deep Universal Oven

**OC332496PFGU**



- Upper doors prepped for glass, matching cabinet interior throughout
- Consult chart for oven cutout dimensions
- One adjustable shelf
- 3 field removable drawers
- 3" stiles in oven compartment
- \* Loose toe kick box for ease of installation
- TSK96 is recommended if the cabinet will be on the end of a run
- For frame openings refer to p.60

**NOTE:** Loose toe kick box will have a finished side, but will have a seam at bottom

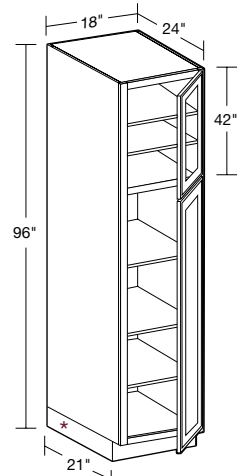
CABINET	MIN. WIDTH	MAX WIDTH	MIN. HEIGHT	MAX HEIGHT
OC332496U	27"	31"	22"	69"

## 24" Deep Two Door Utility



SPECIFY  
RIGHT or LEFT HINGED

**U182496PFG**



- Upper doors prepped for glass, matching cabinet interior throughout
- One fixed shelf dividing upper and lower doors, five adjustable shelves
- Optional rollout trays or additional shelves available
- TSK96 is recommended if the cabinet will be on the end of a run
- \* Loose toe kick box for ease of installation
- Factory finish ends not available
- **CUSTOM DEPTH: 9" to 23" deep**

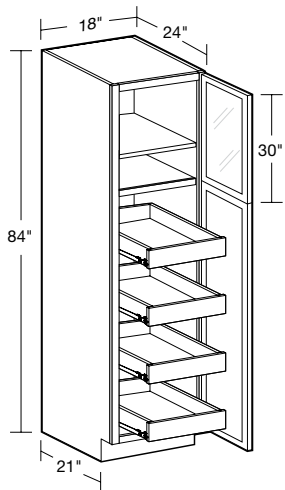
**NOTE:** Loose toe kick box will have a finished side, but will have a seam at bottom

# Tall Cabinets with Glass Doors

## 24" Deep Two Door Utility with Four Rollout Trays

SPECIFY  
RIGHT or LEFT HINGED

**U182484PFG-4T**

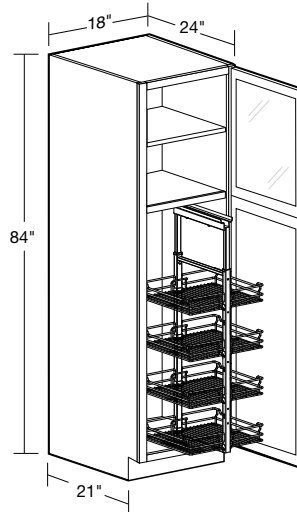


- Upper doors prepped for glass, matching cabinet interior throughout
- One fixed shelf dividing upper and lower doors
- Four repositionable, full width rollout trays in solid finger jointed hardwood; not a part of the matching cabinet interior
- One adjustable shelf

## 24" Deep Two Door Utility with Four Pull-out Chrome Trays

SPECIFY  
RIGHT or LEFT HINGED

**U182484PFG-PO4WS**

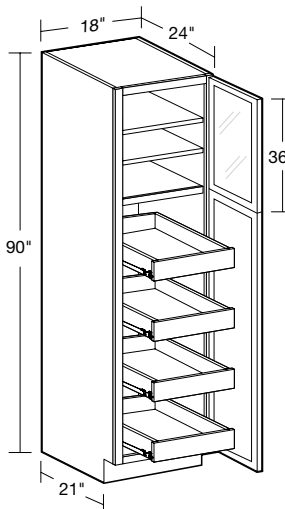


- Upper doors prepped for glass, matching cabinet interior throughout
- **FIELD INSTALLED PULL-OUT UNIT**
- Pull-out unit includes 4 chrome baskets and optional door mounts
- Top and bottom glides are soft closing and 250 lb. weight rated
- One fixed shelf dividing upper and lower door
- One adjustable upper shelf

## 24" Deep Two Door Utility with Four Rollout Trays

SPECIFY  
RIGHT or LEFT HINGED

**U182490PFG-4T**

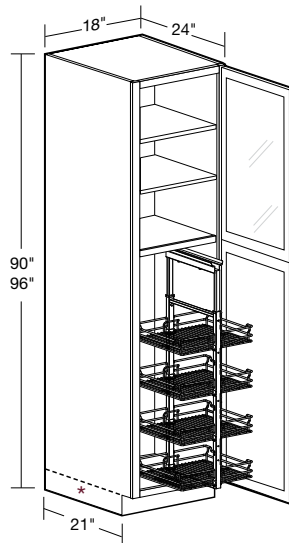


- Upper doors prepped for glass, matching cabinet interior throughout
- One fixed shelf dividing upper and lower doors
- Four repositionable, full width rollout trays in solid finger jointed hardwood; not a part of the matching cabinet interior
- Two adjustable shelves

## 24" Deep Two Door Utility with Four Pull-out Chrome Trays

SPECIFY  
RIGHT or LEFT HINGED

**U182490PFG-PO4WS**  
**U182496PFG-PO4WS**

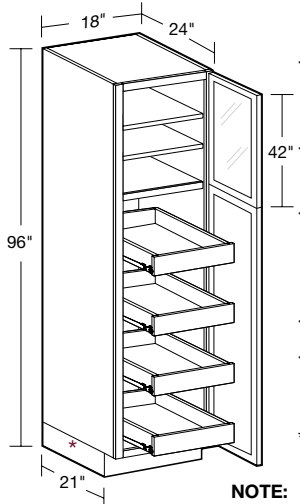


- Upper doors prepped for glass, matching cabinet interior throughout
- **FIELD INSTALLED PULL-OUT UNIT**
- Pull-out unit includes 4 chrome baskets and optional door mounts
- Top and bottom glides are soft closing and 250 lb. weight rated
- One fixed shelf dividing upper and lower door

## 24" Deep Two Door Utility with Four Rollout Trays

SPECIFY  
RIGHT or LEFT HINGED

**U182496PFG-4T**



- Upper doors prepped for glass, matching cabinet interior throughout
- One fixed shelf dividing upper and lower doors
- Four repositionable, full width rollout trays in solid finger jointed hardwood; not a part of the matching cabinet interior
- Two adjustable shelves
- TSK96 is recommended if the cabinet will be on the end of a run
- \* Loose toe kick box for ease of installation

**NOTE:** Loose toe kick box will have a finished side, but will have a seam at bottom

- Two adjustable upper shelves
- TSK96 is recommended if the cabinet will be on the end of a run

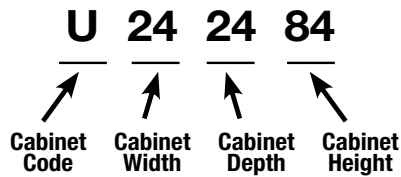
\* Loose toe kick box for ease of installation

**NOTE:** Loose toe kick box will have a finished side, but will have a seam at bottom



# Tall Cabinets with No Door

## TALL CABINET CODING

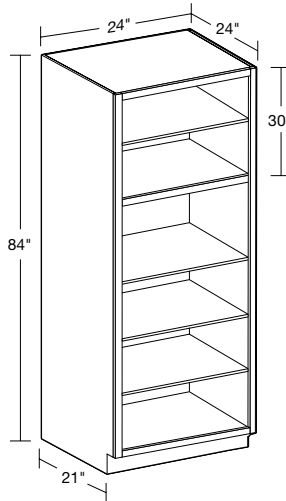


- Standard Tall Cabinets are 24" deep
- Standard cabinet exterior is color matched to face frame
- Matching interiors are standard in tall cabinets with no doors

### 24" Deep No Door Utility



**U242484ND**

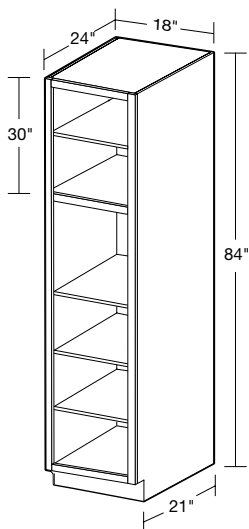


- One fixed shelf dividing upper and lower section, four adjustable shelves
- CUSTOM DEPTH: 9" to 23" deep**

### 24" Deep No Door Utility



**U182484ND**



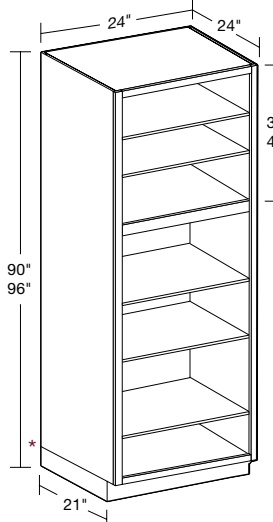
- One fixed shelf dividing upper and lower section, four adjustable shelves
- CUSTOM DEPTH: 9" to 23" deep**

### 24" Deep No Door Utility



**U242490ND**

**U242496ND**



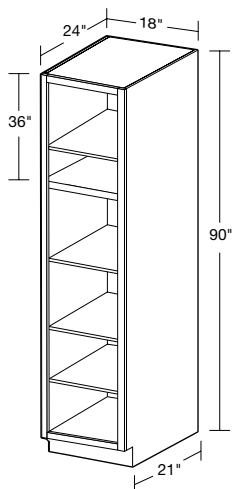
- One fixed shelf dividing upper and lower section, five adjustable shelves
- \* On 96", loose toe kick box for ease of installation
- For 96" unit TSK96 is recommended if the cabinet will be on the end of a run
- CUSTOM DEPTH: 9" to 23" deep**

**NOTE:** Loose toe kick box will have a finished side, but will have a seam at bottom

### 24" Deep No Door Utility



**U182490ND**

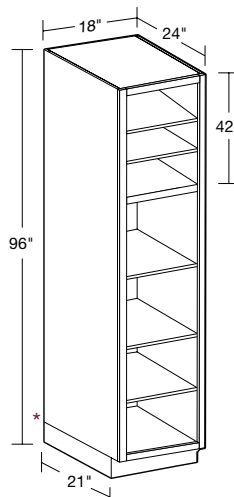


- One fixed shelf dividing upper and lower section, four adjustable shelves
- CUSTOM DEPTH: 9" to 23" deep**

### 24" Deep No Door Utility



**U182496ND**



- One fixed shelf dividing upper and lower section, five adjustable shelves
- TSK96 is recommended if the cabinet will be on the end of a run
- \* Loose toe kick box for ease of installation
- CUSTOM DEPTH: 9" to 23" deep**

**NOTE:** Loose toe kick box will have a finished side, but will have a seam at bottom



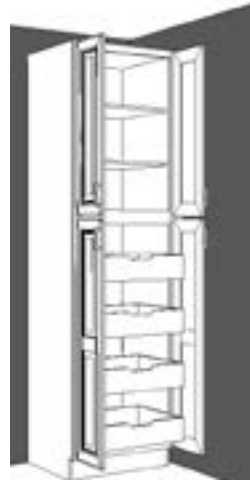
# Tall Cabinets Design Tips

## Decorative Ends for Tall Cabinets



For decorative ends on a tall 24" deep cabinet use a CFOU and a tall skin.

## Clearance for Roll Out Trays



Make sure to leave enough clearance for door to open at least 90 degrees when placing next to wall or refrigerator cabinet.

## Customizing the Depth of a Tall Cabinet



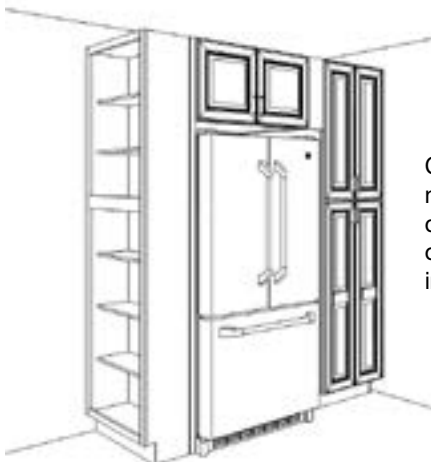
Customize the depth of a 24" wide utility cabinet (U242484, U242490, or U242496) down to 12" and use it facing out next to a refrigerator or another utility cabinet for shallow food storage, storing brooms/mops, or create a hidden message center.

## Customizing the Depth of a Tall Cabinet



A narrow alcove in your kitchen or a pantry like storage area can be transformed into an entire wall of open and closed storage by using a combination of ND and Standard Utility cabinets with a reduced depth.

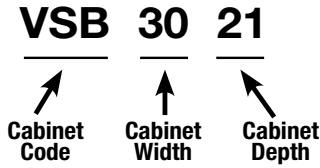
## Customizing the Depth of a Tall Cabinet



Customize the depth of a 24" wide Utility cabinet with no doors (U242484ND, U242490ND, or U242496ND) down to 12" and use it facing out next to a refrigerator or another utility cabinet for open storage and an interesting transition in the kitchen.

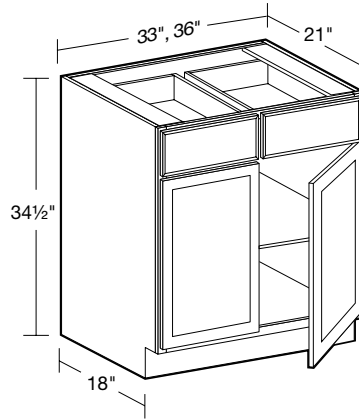
# Vanity & Desk Cabinets

## VANITY CABINET CODING



- Standard Vanity Base Cabinets are 21" deep and 34½" high
- Cabinet depth does not include door thickness
- **Custom Depths are available where indicated. Use Standard Base Cabinet coding to order as specified.**
- Products are available in all door styles unless stated otherwise
- Standard cabinet exterior is color matched to face frame

### 21" Deep Double Door Vanity Base



**STANDARD  
21" DEPTHS**  
VB3321  
VB3621

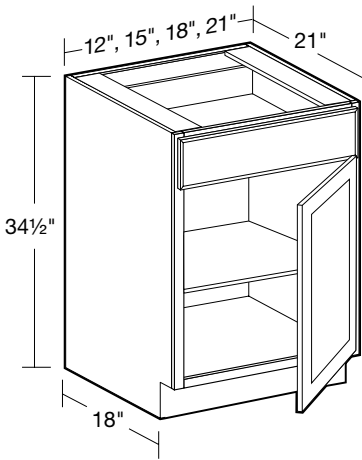


#### FOR CUSTOM DEPTHS

- One full depth adjustable shelf
- Two standard drawers

- Order **B33** or **B36**
- Select 9" to 23" depth
- 9" to 14" deep have false fronts & no drawer

### 21" Deep Single Door Vanity Base



**SPECIFY  
RIGHT or LEFT HINGED**  
**STANDARD  
21" DEPTHS**

VB1821 VB1221  
VB2121 VB1521

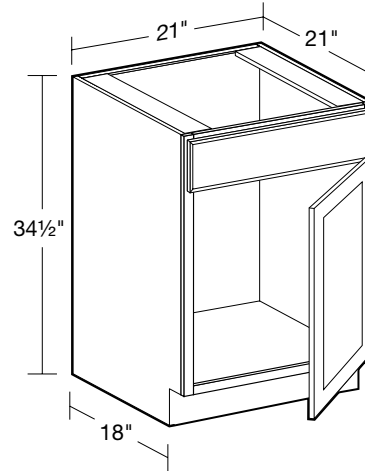


#### FOR CUSTOM DEPTHS

- One full depth adjustable shelf
- One standard drawer

- Order **B12**, **B15**, **B18** or **B21**
- Select 9" to 23" depth
- 9" to 14" deep have false fronts & no drawer

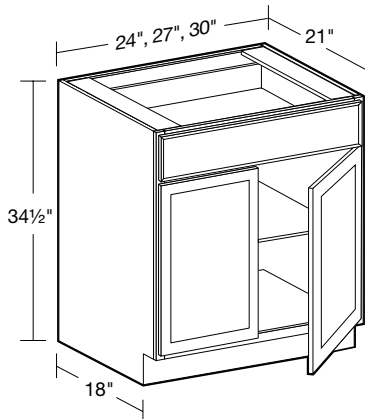
### 21" Deep Single Door Vanity Sink Base



**SPECIFY  
RIGHT or LEFT HINGED**  
**VS2121**

- Maximum sink cutout 19" wide
- No shelf
- False drawer front

### 21" Deep Double Door Vanity Base



**STANDARD  
21" DEPTHS**  
VB2421  
VB2721  
VB3021

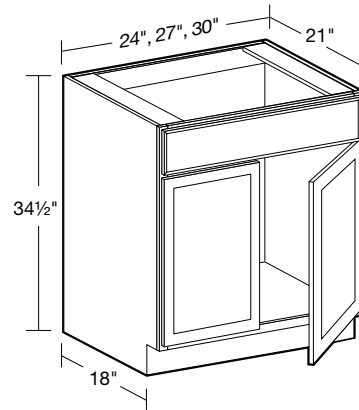


#### FOR CUSTOM DEPTHS

- One full depth adjustable shelf
- One standard drawer

- Order **B24**, **B27** or **B30**
- Select 9" to 23" depth
- 9" to 14" deep have false fronts & no drawer

### 21" Deep Double Door Vanity Sink Base



**STANDARD  
21" DEPTHS**  
VSB2421  
VSB2721  
VSB3021



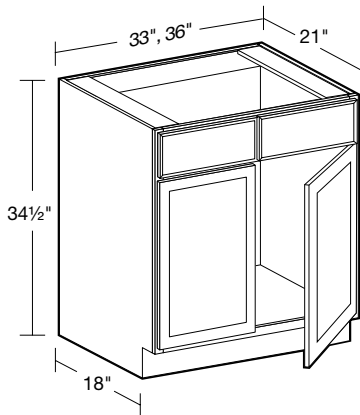
#### FOR CUSTOM DEPTHS

- No shelf
- False drawer front

- Order **SB24**, **SB27** or **SB30**
- Select 9" to 23" depth

# Vanity & Desk Cabinets

## 21" Deep Double Door Vanity Sink Base



**STANDARD  
21" DEPTHS**

**VSB3321  
VSB3621**

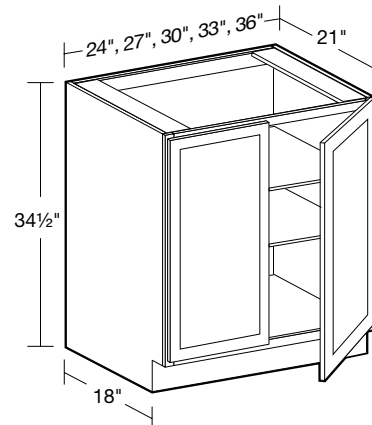


**FOR CUSTOM DEPTHS**

- Order **SB33** or **SB36**
- Select 9" to 23" depth

- No shelf, two false fronts

## 21" Deep Double Full Height Door Vanity Base



**STANDARD  
21" DEPTHS**

**VB2421FH  
VB2721FH  
VB3021FH  
VB3321FH  
VB3621FH**

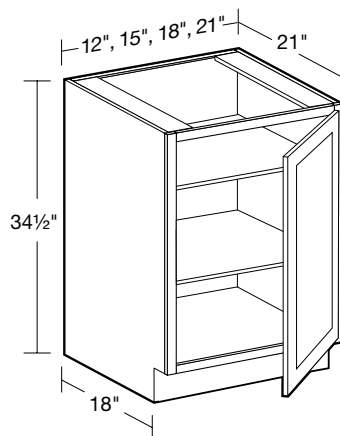


**FOR CUSTOM DEPTHS**

- Order **B24FH**, **B27FH**, **B30FH** or **B36FH**
- Select 9" to 23" depth

- Two adjustable shelves

## 21" Deep Single Full Height Door Vanity Base



**SPECIFY  
RIGHT or LEFT HINGED**

**STANDARD  
21" DEPTHS**

**VB1221FH  
VB1521FH  
VB1821FH  
VB2121FH**

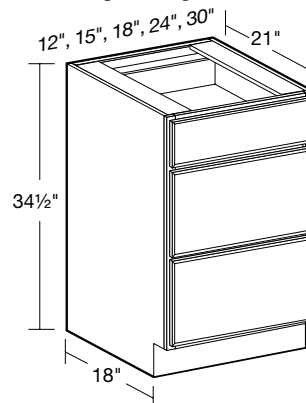


**FOR CUSTOM DEPTHS**

- Order **B12FH**, **B15FH**, **B18FH** or **B21FH**
- Select 9" to 23" depth

- Two adjustable shelves

## 21" Deep Vanity Base Drawer



**STANDARD  
21" DEPTHS**

**VBD1221\*  
VBD1521  
VBD1821  
VBD2421  
VBD3021**



**FOR CUSTOM DEPTHS**

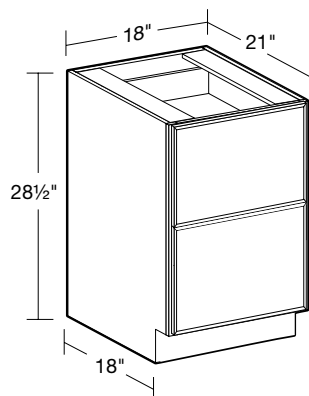
- Order **BD12**, **BD15**, **BD18**, **BD24** or **VBD3021**
- Select 15" to 23" depth

- One standard drawer
- Two deep drawers

\* Maximum drawer handle width for lower drawers is 4" wide for raised panel styles, 5 1/2" wide for recessed panel styles.

## 21" Deep Desk Drawer

**DDR18**

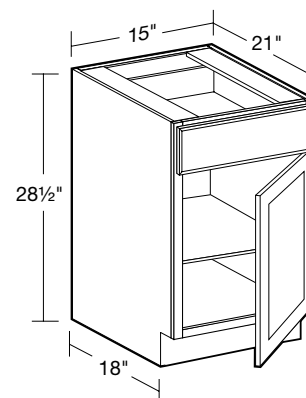


- Two standard drawers\*
- Comfortable height for dressing table or writing surface
- Not available in WVV, WVG or WVB door styles

\*Does not support hanging files.

## 21" Deep Desk Door

**SPECIFY  
RIGHT or LEFT HINGED  
DDO15**

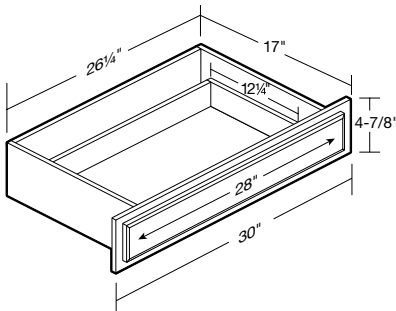


- One adjustable shelf
- Comfortable height for dressing table or writing surface
- Not available in WVV, WVG WVB door styles

# Vanity & Desk Cabinets

## 21" Deep Desk Knee Drawer

DKD30



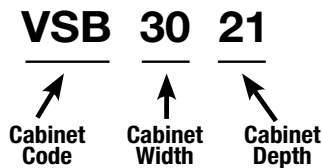
- One full width pencil/cosmetic drawer
- Knee drawer is designed for use between two base cabinets
- Comfortable height for dressing table or writing surface when installed at 28 1/2" height with 1 1/2" thick countertop
- Slab drawer front all door styles
- May be trimmed up to 1" on each side

**NOTE:** Full Extension Soft-Close Runner Not Available

**NOTE:** Not available in WWV, WVG or WVB door styles

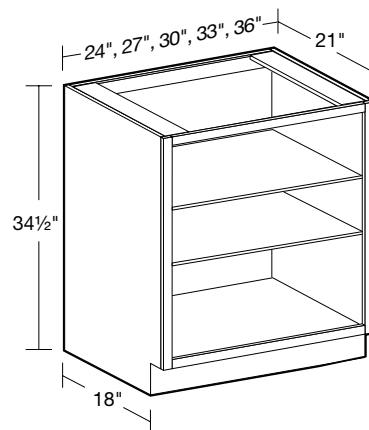
## Vanity Cabinets with No Door

### VANITY CABINET CODING



- Standard Vanity Base Cabinets are 21" deep and 34 1/2" high
- Matching interiors are standard in vanity cabinets with no doors
- **Custom Depths are available where indicated. Use Standard Base Cabinet coding to order as specified.**
- Products are available in all door styles unless stated otherwise
- Standard cabinet exterior is color matched to face frame

### 21" Deep Double Full Height Door Vanity Base



**STANDARD 21" DEPTHS**  
**VB2421ND**  
**VB2721ND**  
**VB3021ND**  
**VB3321ND**  
**VB3621ND**

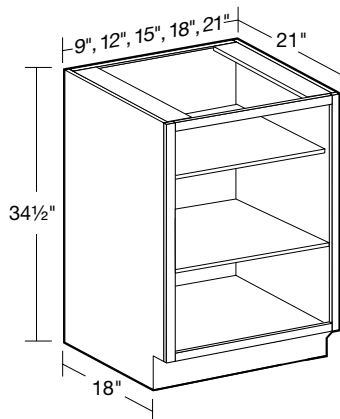


**FOR CUSTOM DEPTHS**

- Order **B24ND, B27ND, B30ND** or **B36ND**
- Select 9" to 23" depth

- Two adjustable shelves

### 21" Deep Single Full Height Door Vanity Base



**STANDARD 21" DEPTHS**  
**VB1221ND**  
**VB1521ND**  
**VB1821ND**  
**VB2121ND**



**FOR CUSTOM DEPTHS**

- Order **B12ND, B15ND, B18ND** or **B21ND**
- Select 9" to 23" depth

- Two adjustable shelves

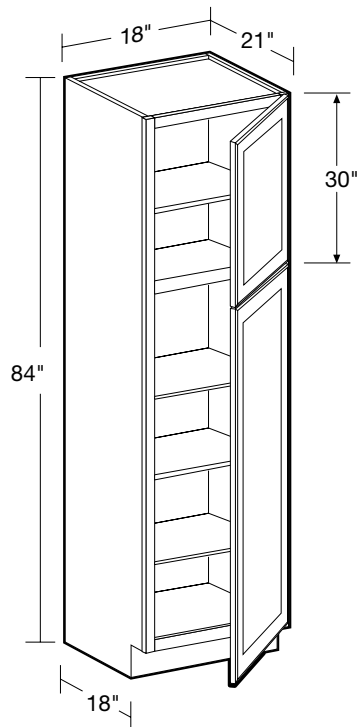
### Using ND Vanity Cabinets



Use an ND cabinet as narrow as VB1521ND in your bathroom to store rolled towels or wash cloths

# Vanity Linen Cabinets

## 21" Deep Two Door Linen



SPECIFY  
RIGHT or LEFT HINGED  
STANDARD  
21" DEPTH  
VLC182184

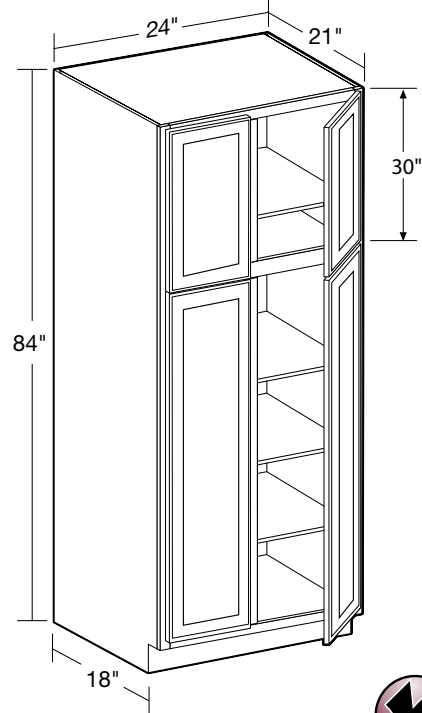


### FOR CUSTOM DEPTHS

- Order **U182484**
- Select 9" to 23" depth

- One fixed shelf dividing upper and lower doors, four adjustable shelves

## 21" Deep Four Door Linen



STANDARD  
21" DEPTH  
VLC242184



### FOR CUSTOM DEPTHS

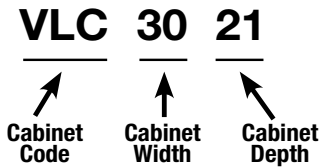
- Order **U242484**
- Select 9" to 23" depth

Note: Roll out trays not available for Vanity Linen Cabinets or reduced depth cabinets.

- One fixed shelf dividing upper and lower doors, four adjustable shelves

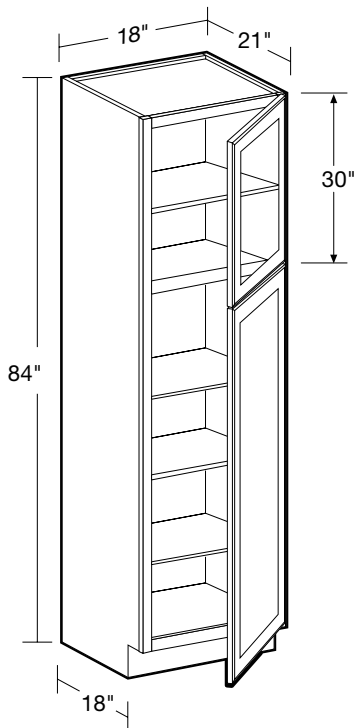
# Vanity Linen Cabinets with Glass Doors

## VANITY CABINET CODING



- Standard Vanity Cabinets are 21" deep
- Cabinet depth does not include door thickness
- **Custom Depths are available where indicated. Use Standard Base Cabinet coding to order as specified.**
- Not available in Waterford Vesper White (WVW), Wembley Veiled Gray (WVG) or Waterbury Vessel Blue (WVB)
- Standard cabinet exterior is color matched to face frame
- Glass ships separate from cabinets
- Matching interiors are standard in PFG cabinets

### 21" Deep Two Door Linen



SPECIFY  
RIGHT or LEFT HINGED  
**STANDARD  
21" DEPTH  
VLC182184PFG**

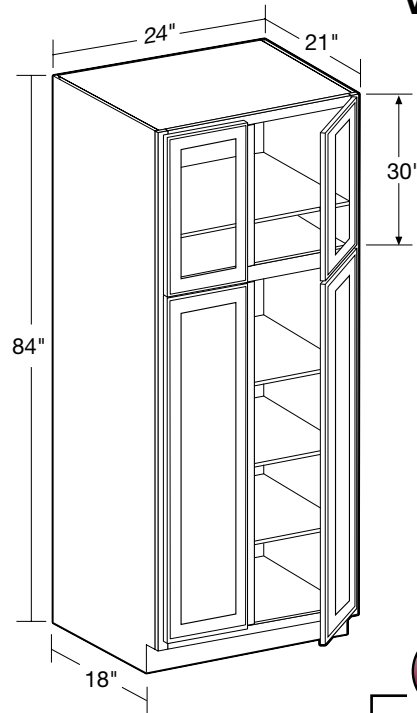
**CUSTOM DEPTH**  
**FOR CUSTOM DEPTHS**

- Order **U182484PFG**
- Select 9" to 23" depth

- Upper doors prepped for glass, matching cabinet interior throughout
- One fixed shelf dividing upper and lower doors, four adjustable shelves

### 21" Deep Four Door Linen

**STANDARD  
21" DEPTH  
VLC242184PFG**



**CUSTOM DEPTH**  
**FOR CUSTOM DEPTHS**

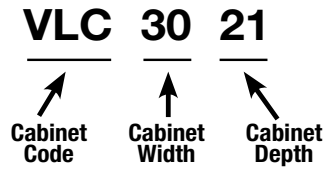
- Order **U242484PFG**
- Select 9" to 23" depth

- Upper doors prepped for glass, matching cabinet interior throughout
- One fixed shelf dividing upper and lower doors, four adjustable shelves



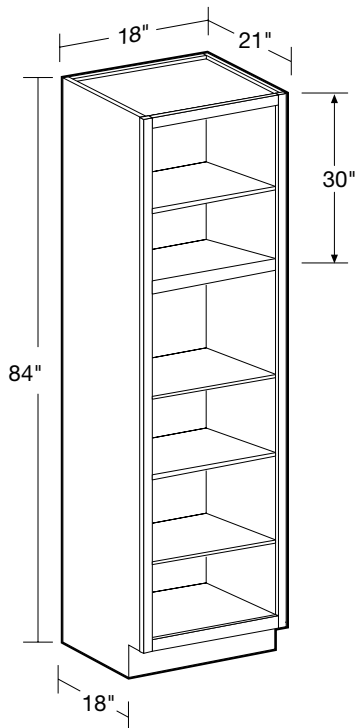
# Vanity Linen Cabinets with No Doors

## VANITY CABINET CODING



- Standard Vanity Linen Cabinets are 21" deep
- **Custom Depths are available where indicated. Use Standard Base Cabinet coding to order as specified.**
- Products are available in all door styles unless stated otherwise
- Standard cabinet exterior is color matched to face frame
- Matching interiors are standard in vanity linen cabinets with no doors

### 21" Deep Two Door Linen



**STANDARD  
21" DEPTH  
VLC182184ND**



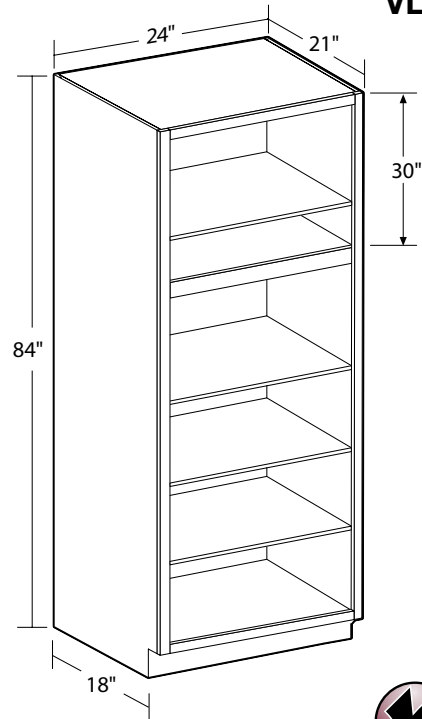
**FOR CUSTOM DEPTHS**

- Order **U182484ND**
- Select 9" to 23" depth

- One fixed shelf dividing upper and lower sections, four adjustable shelves

### 21" Deep Four Door Linen

**STANDARD  
21" DEPTH  
VLC242184ND**



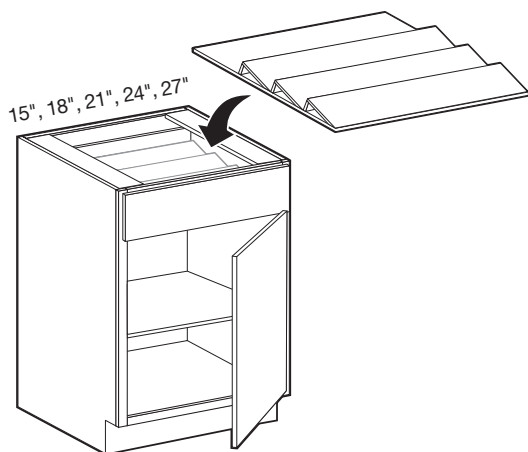
**FOR CUSTOM DEPTHS**

- Order **U242484ND**
- Select 9" to 23" depth

- One fixed shelf dividing upper and lower sections, four adjustable shelves

# Accessories

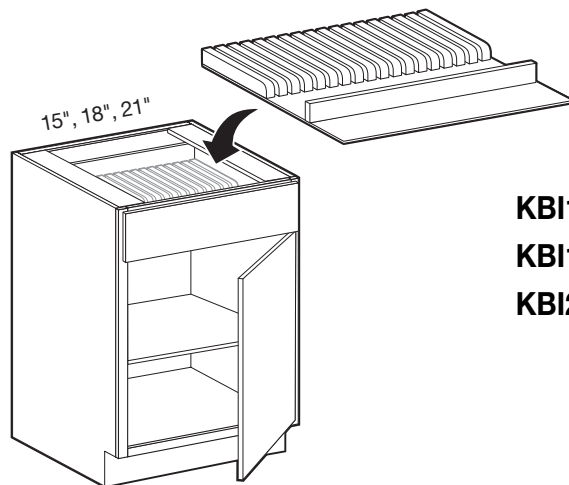
## Spice Drawer Insert



**SDI15**  
**SDI18**  
**SDI21**  
**SDI24**  
**SDI27**

- Solid hardwood drawer insert
- Three 5" high angled tiers
- Rear 4" deep compartment
- Sized to fit inside 15", 18", 21", 24", 27" wide drawers
- Not for use in custom-depth cabinets

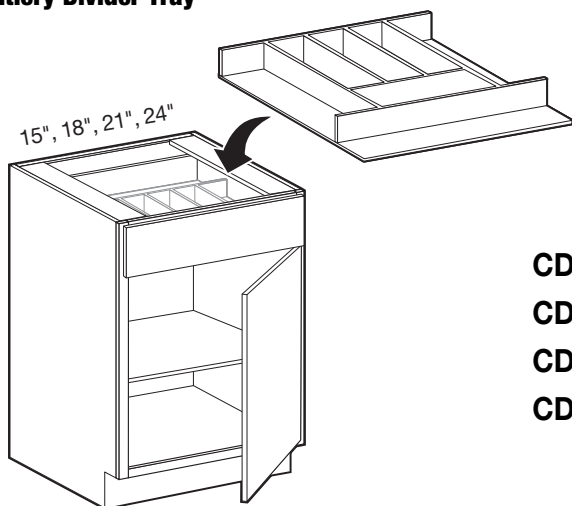
## Knife Block Insert



**KBI15**  
**KBI18**  
**KBI21**

- Solid hardwood drawer insert
- One full width front utensil compartment
- KBI15:** 10 knife slots + utensil compartment (fits B15, BD15)
- KBI18:** 13 knife slots + utensil compartment (fits B18, BD18, B36, BD36)
- KBI21:** 16 knife slots + utensil compartment (fits B21)
- Not for use in custom-depth cabinets

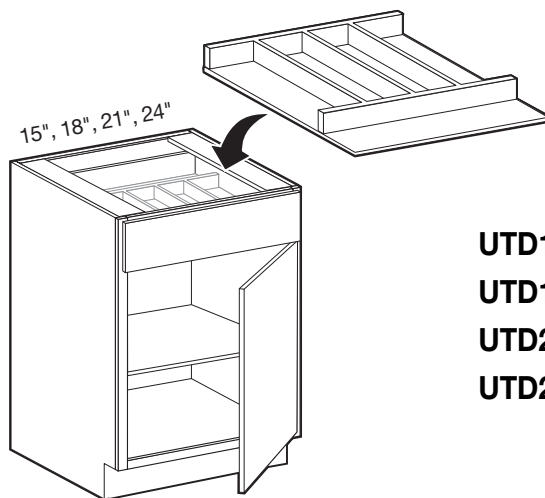
## Cutlery Divider Tray



**CDT15**  
**CDT18**  
**CDT21**  
**CDT24**

- Solid hardwood drawer insert
- One full width front utensil compartment
- CDT15:** 6 compartments 10"-14" deep (fits B15, BD15)
- CDT18:** 6 compartments 10"-14" deep (fits B18, BD18, B36, BD36)
- CDT21:** 8 compartments 10"-14" deep (fits B21)
- CDT24:** 8 compartments 10"-14" deep (fits B24, BD24)
- Not for use in custom-depth cabinets

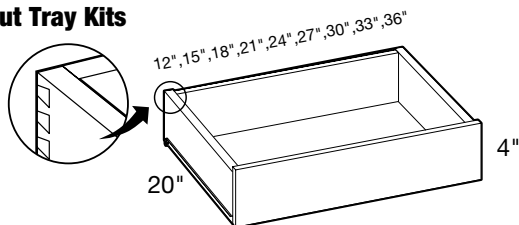
## Utensil Divider Tray



**UTD15**  
**UTD18**  
**UTD21**  
**UTD24**

- Solid hardwood drawer insert
- One full width front utensil compartment
- UTD15:** 2 additional compartments 16" deep (fits B15, BD15)
- UTD18:** 4 additional compartments 16" deep (fits B18, BD18, B36, BD36)
- UTD21:** 5 additional compartments 16" deep (fits B21)
- UTD24:** 5 additional compartments 16" deep (fits B24, BD24)
- Not for use in custom-depth cabinets

## Rollout Tray Kits



**ROT12 ROT18 ROT24 ROT30 ROT36**  
**ROT15 ROT21 ROT27 ROT33**

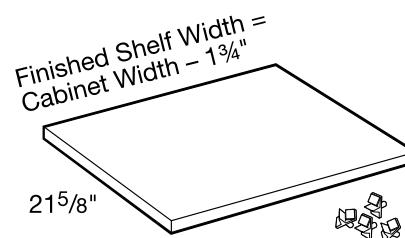
**NOTE:** Roll out trays not available for Vanity Linen Cabinets or reduced depth cabinets.

**NOTE:** The roll out trays are natural birch in color and will not be color matched if added to a PFG or No door cabinet with matching interior.

- 5/8" Solid wood dovetail construction
- Consult availability guide
- Includes 3/4" extension epoxy coated smooth-glide edge mounted runners
- 75 lb. load capacity
- Available for use base and tall cabinets
- Field-install into factory pre-drilled locations only
- Not for use in custom-depth cabinets

ROLL-OUT TRAY KIT AVAILABILITY GUIDE		
PART#	DESIGNED TO FIT	ACTUAL WIDTH
ROT12	B12, B12FH	8"
ROT15	B15, B15FH	11"
ROT18	B18, B18FH, U182484 / 90 / 96	14"
ROT21	B21, B21FH	17"
ROT24	B24, B24FH, SB24, U242484 / 90 / 96	20"
ROT27	B27, B27FH, SB27	23"
ROT30	B30, B30FH, SB30	26"
ROT33	B33, B33FH, SB33	29"
ROT36	B36, B36FH, SB36	32"

## Base Cabinet Shelf Kits

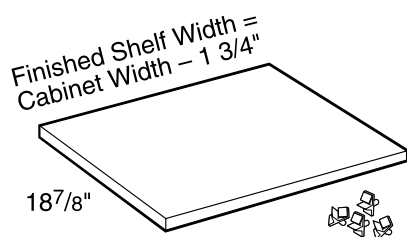


**SK1224 SK2124 SK3024**  
**SK1524 SK2424 SK3324**  
**SK1824 SK2724 SK3624**

- 3/4" Thick plywood faced with natural birch vinyl laminate and matching edgebanding.
- Edgebanded on front edge
- One shelf and set of clips per kit
- Consult availability guide

SHELF KIT AVAILABILITY GUIDE		
PART#	DESIGNED TO FIT	ACTUAL WIDTH
SK1224	B12, B12FH	10 1/4"
SK1524	B15, B15FH	13 1/4"
SK1824	B18, B18FH, U182484/96	16 1/4"
SK2124	B21, B21FH	19 1/4"
SK2424	B24, B24FH, SB24, U242484 / 90 / 96	22 1/4"
SK2724	B27, B27FH, SB27	25 1/4"
SK3024	B30, B30FH, SB30, BBCU39	28 1/4"
SK3324	B33, B33FH, SB33, OC332484U / 90U / 96U	31 1/4"
SK3624	B36, B36FH, SB36, BBCU42	34 1/4"

## Vanity Shelf Kit

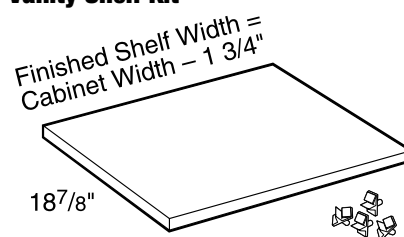


**VSK1221 VSK2121 VSK3021**  
**VSK1521 VSK2421 VSK3321**  
**VSK1821 VSK2721 VSK3621**

- Shelf kits are 3/4" thick plywood finished with vinyl laminate and matching edgebanding color matched to cabinetry face frame
- Edgebanded on front edge

**EXAMPLE:** 36" wide vanity cabinet uses VSK3621

## Matching Interior Vanity Shelf Kit



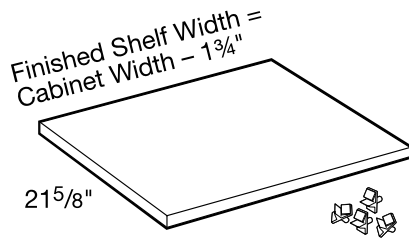
**VSK1221MI VSK2121MI VSK3021MI**  
**VSK1521MI VSK2421MI VSK3321MI**  
**VSK1821MI VSK2721MI VSK3621MI**

- Shelf kits are 3/4" thick plywood finished with vinyl laminate and matching edgebanding color matched to cabinetry face frame
- Edgebanded on front edge

**EXAMPLE:** 36" wide vanity cabinet uses VSK3621MI

# Accessories

## Matching Interior Base Cabinet Shelf Kits

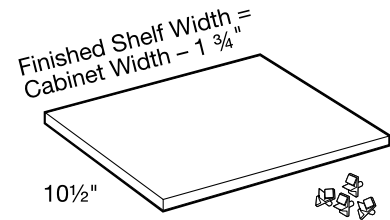


- SK1224MI SK2124MI SK3024MI
- SK1524MI SK2424MI SK3324MI
- SK1824MI SK2724MI SK3624MI

- Shelf kits are 3/4" thick plywood finished with vinyl laminate and matching edgebanding color matched to cabinetry face frame
- Edgebanded on front edge
- One shelf and set of clips per kit
- Consult availability guide

SHELF KIT AVAILABILITY GUIDE FOR BASES/TALLS		
PART#	DESIGNED TO FIT	ACTUAL WIDTH
SK1224MI	B12ND	10 1/4"
SK1524MI	B15ND	13 1/4"
SK1824MI	B18ND, U182484/90/96-PFG, U182484/90/96-ND	16 1/4"
SK2124MI	B21ND	19 1/4"
SK2424MI	B24ND, U242484/90/96-PFG, U242484/90/96-ND	22 1/4"
SK2724MI	B27ND	25 1/4"
SK3024MI	B30ND, W302424PFG, W302424ND	28 1/4"
SK3324MI	B33ND, OC332484/90/96U	31 1/4"
SK3624MI	B36ND, W362424PFG, W362424ND	34 1/4"

## Matching Interior Wall Cabinet Shelf Kits



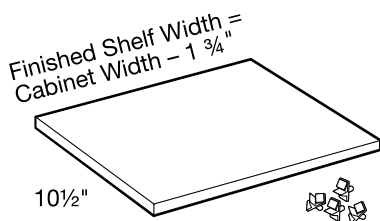
- SK1212MI SK2112MI SK3012MI
- SK1512MI SK2412MI SK3312MI
- SK1812MI SK2712MI SK3612MI

- Shelf kits are 3/4" thick plywood finished with vinyl laminate and matching edgebanding color matched to cabinetry face frame
- Edgebanded on front edge
- One shelf and set of clips per kit
- Consult availability guide

EXAMPLE: 36" wide wall cabinet uses SK3612MI

SHELF KIT AVAILABILITY GUIDE FOR WALLS		
PART#	DESIGNED TO FIT	ACTUAL WIDTH
SK1212MI	W1230/36/42-PFG, W1230/36/42-ND	10 1/4"
SK1512MI	W1530/36/42-PFG, W1530/36/42-ND	13 1/4"
SK1812MI	W1830/36/42-PFG, W1830/36/42-ND	16 1/4"
SK2112MI	W2130/36/42-PFG, W2130/36/42-ND	19 1/4"
SK2412MI	W2430/36/42-PFG, W2430/36/42-ND	22 1/4"
SK2712MI	W2730/36/42-PFG, W2730/36/42-ND	25 1/4"
SK3012MI	W3024/30/36/42-PFG, W3024/30/36/42-ND	28 1/4"
SK3312MI	W3330/36/42-PFG, W3330/36/42-ND	31 1/4"
SK3612MI	W3624/30/36/42-PFG, W3624/30/36/42-ND	34 1/4"

## Wall Cabinet Shelf Kits



- SK1212 SK2112 SK3012
- SK1512 SK2412 SK3312
- SK1812 SK2712 SK3612

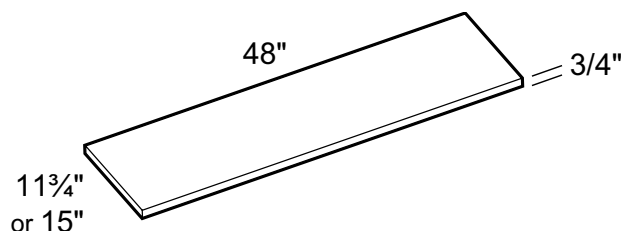
- 3/4" Thick plywood faced with natural birch vinyl laminate and matching edgebanding
- Edgebanded on front edge
- One shelf and set of clips per kit

50 EXAMPLE: 36" wide wall cabinet uses SK3612

## Wood Furniture Shelf

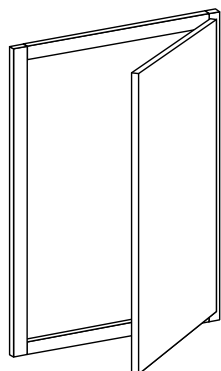
DESIGN TIP: Use a wood furniture shelf to finish the bottom of bridge cabinets where you will be able to see the underside of the cabinet. For example: Over a sink

WFS48  
WFS4815



- 3/4" thick plywood color matched to cabinetry face frame
- Two long sides edgebanded

## Cabinet Fronts Only (CFO)

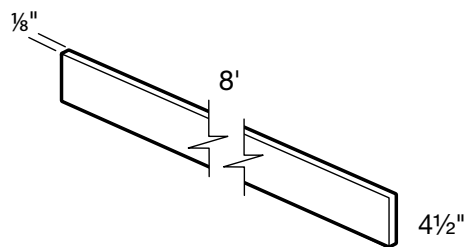


Most Wall cabinets can be ordered as "Cabinet Fronts Only". Face frame, doors, hinges and bumpers will be supplied and shipped loose.

Please consult CFO availability guide on page 63.

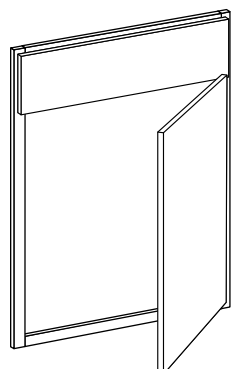
## 8' Finished Toe Kick – Matches Frame Color

**MTK8**



- 1/8" thick plywood finished with vinyl laminate color matched to cabinetry face frame
- Field modified and installed

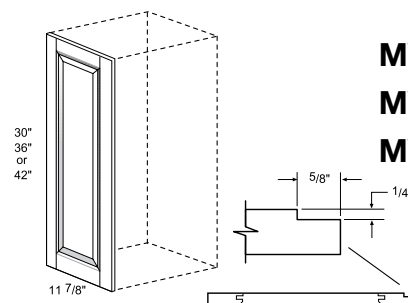
## Cabinet Fronts Only (CFO)



Most Base cabinets can be ordered as "Cabinet Fronts Only". Face frame, doors, drawer fronts, hinges, and bumpers will be supplied and shipped loose. In addition, plastic corner blocks will be supplied for false front installation requirements.

Please consult CFO availability guide on page 63.

## Matching Wall End Panels



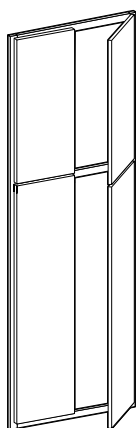
**MWEP30**  
**MWEP36**  
**MWEP42**

- 3/4" thick
- Field installation
- Panel is for Left or Right application & fits flush against cabinet sides

**NOTE:** Cannot be used in conjunction with Custom Depth Cabinets

**NOTE:** For WVV, WVG or WVW the matching panel will not be a flush application. Field adjustment to the side of the cabinet will be required

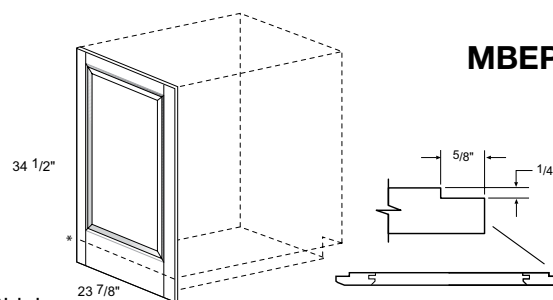
## Cabinet Fronts Only (CFO)



Most Tall cabinets can be ordered as "Cabinet Fronts Only". Face frame, doors, hinges and bumpers will be supplied and shipped loose.

Please consult CFO availability guide on page 63.

## Matching Base End Panel



**MBEP**

- 3/4" thick
- Field installation
- Panel is for Left or Right application & fits flush against cabinet sides

\* **BPW is 2-piece construction**

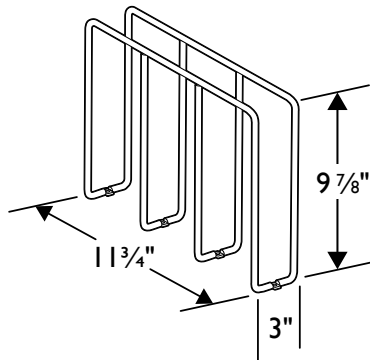
**NOTE:** Cannot be used in conjunction with Custom Depth Cabinets

**NOTE:** VG, VW or VB bottom rail is a 3" wide rail vs the 7 1/2" extended bottom rail

# Accessories

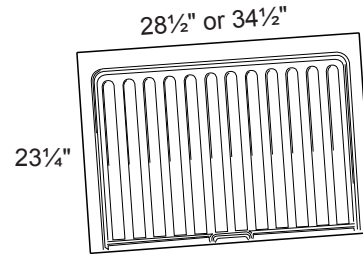
## U-Shaped Tray Divider 3" - Chrome

**USTD3-CR**



- Bakeware Organizer
- Use 2 or more to organize cabinet
- Can be used in base or wall cabinet
- **Field installation with only 4 screws**

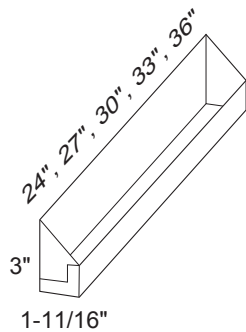
## Sink Base Liner



**SBL2730**  
**SBL3336**

- Helps protect sink cabinet from damage due to leaks in piping or drains
- Sleek surface for easy cleanup
- SBL2730 can be trimmed to fit SB27 or SB30
- SBL3336 can be trimmed to fit SB33 or SB36
- Field installed
- Grey polystyrene easy to clean surface
- Not for use in custom-depth cabinetry

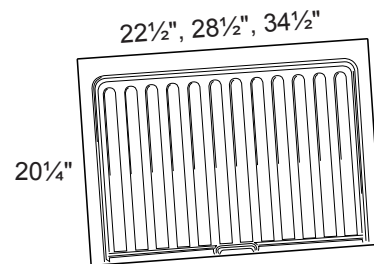
## Tilt-out Tray Kits



**SBTOTK24**  
**SBTOTK27**  
**SBTOTK30**  
**SBTOTK33\***  
**SBTOTK36\***

- Kit attaches to sink base false drawer front to create tilt-out drawer
- Holds sponges, scouring pads, dish soaps, etc.
- Stainless steel construction
- Field installed prior to countertop
- \* Two trays included to fit double false fronts

## 21" Deep Vanity Sink Base Liner

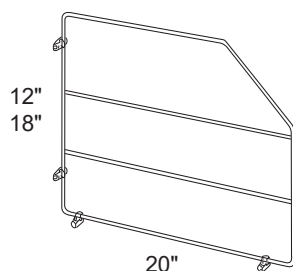


**VSBL2124**  
**VSBL2730**  
**VSBL3336**

- Helps protect sink cabinet from damage due to leaks in piping or drains
- VSBL2124 can be trimmed to fit VSB2121 or VSB2421
- VSBL2730 can be trimmed to fit VSB2721 or VSB3021
- VSBL3336 can be trimmed to fit VSB3321 or VSB3621
- Field installed
- Grey polystyrene easy to clean surface
- Not for use in custom-depth cabinetry

## Tray Dividers

**TD12CR**  
**TD18CR**



- Available in 12" & 18" heights
- Chrome finish
- Stores baking sheets, serving dishes, etc.
- Comes with 4 clips & fasteners
- Attaches to cabinet middle or bottom shelf
- Field installed
- Not for use in custom-depth cabinets

## Touch-Up Kit

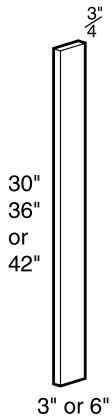
**TUK**



- Includes fill stick, touch-up pen, and 4 door bumpers



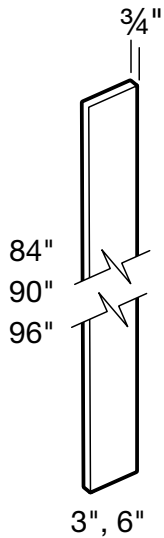
## Filler Strips



**FS30 FS630**  
**FS36 FS636**  
**FS42 FS642**  
**FS84**

- 3/4" thick solid wood
- Face and sides finished

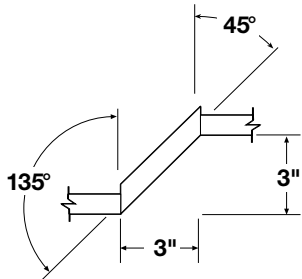
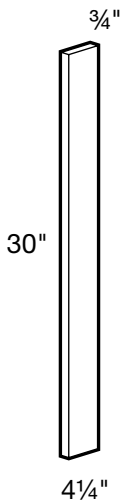
## Tall Filler Strips



**FS84**  
**FS90**  
**FS96**  
**FS696**

- 3/4" thick solid wood
- Face and sides finished

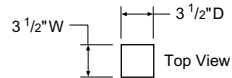
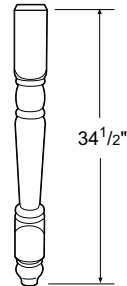
## Angle Fillers



**AF330**  
**AF342**

- 3/4" thick solid wood
- Face and all edges finished
- **Only available in CN and PW**

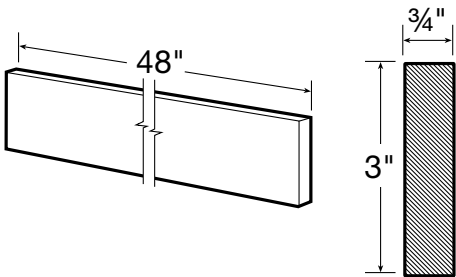
## Spindle



**SPL**

- Solid hardwood

## Valance

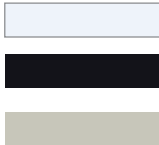
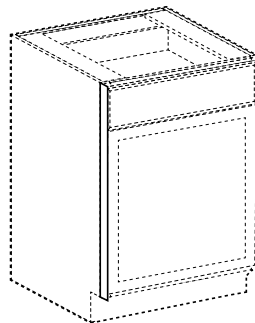
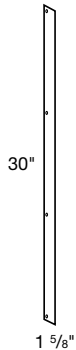


**VA48**

- 3/4" thick solid wood
- May be trimmed on each end

## Heat Shield

**HEAT\_SHIELD\_WHITE**  
**HEAT\_SHIELD\_BLACK**  
**HEAT\_SHIELD\_ALMOND**

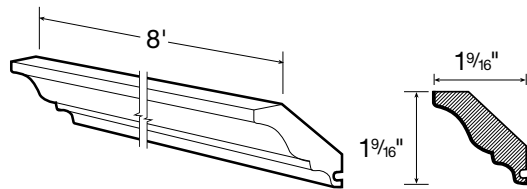


- Helps protect cabinet doors adjacent to ovens
- Attaches to the cabinet face frame
- Available in White, Almond or Black

# Molding

## Soffit Crown Molding

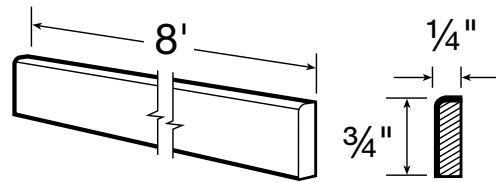
SCM8



- 3/4" thick solid wood
- Use with TMMS8 for top of cabinet installation
- Available in all styles except VB, VW and VG

## Scribe Molding

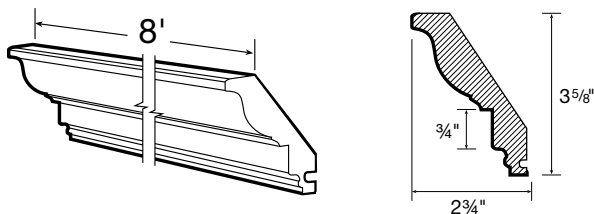
SM8



- 1/4" thick solid wood

## Classic Crown Molding

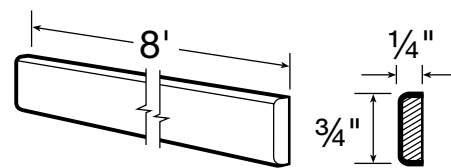
CCM8



- 3/4" thick solid wood
- Use with TMMS8 for top of cabinet installation
- Only available in PW

## Batten Molding

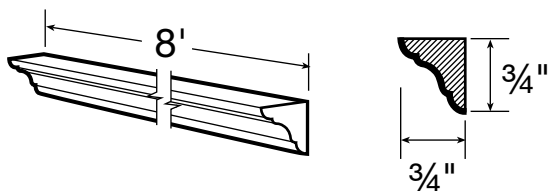
BM8



- 1/4" thick solid wood

## Inside Corner Molding

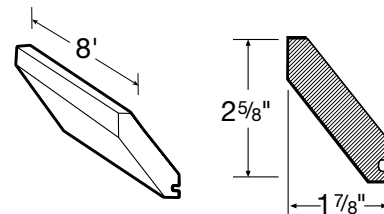
ICM8



- 3/4" thick solid wood

## Angle Crown Molding

ACM8

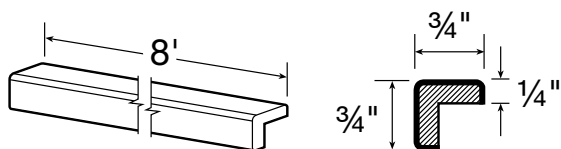


**DESIGN TIP:** When returning crown molding to the wall at the end of a run, allow at least 3" of wall space

- 3/4" thick solid wood
- Use with TMMS8 for top of cabinet installation
- Available in all styles except VB, VW and VG

## Outside Corner Molding

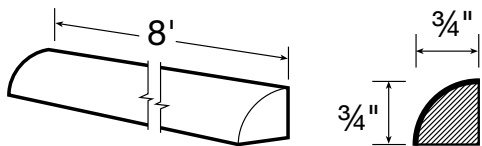
OSC8



- 3/4" thick solid wood

## Quarter Round

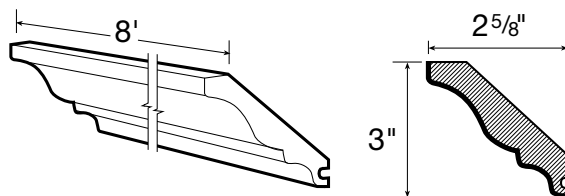
QR8



- 3/4" thick solid wood

## Crown Molding

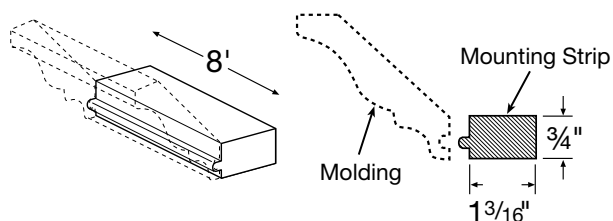
CM8



- 3/4" thick solid wood
- Use with TMMS8 for top of cabinet installation
- Available in all styles except VB, VW and VG

## Top Molding Mounting Strip

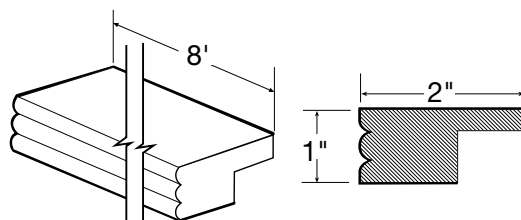
TMMS8



- 3/4" thick solid unfinished wood
- Recommended for installation of ACM8, CM8, CCM8, SCM8 moldings

## Beaded Light Rail

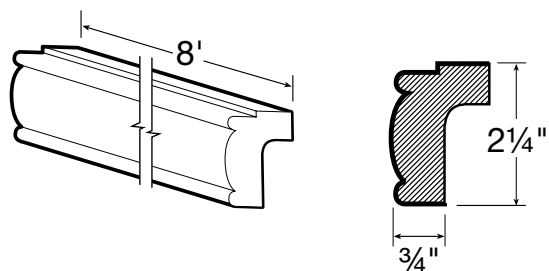
BLR8



- 1" thick solid wood

## Classic Light Rail

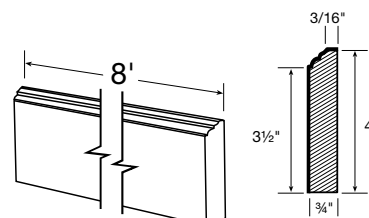
CLR8



- 3/4" thick solid wood

## Furniture Base Molding

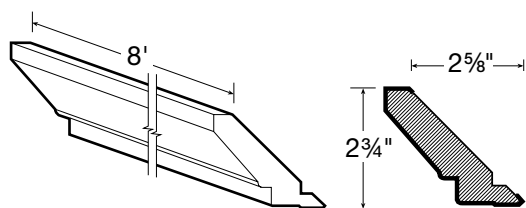
FBM8



- 3/4" thick solid wood

## Contemporary Crown Molding

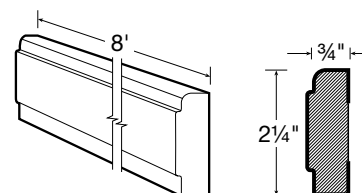
CMV8



- 3/4" thick solid MDF
- Only available in VB, VW and VG finishes
- TMMS8 not required

## Contemporary Light Rail

LRV8



- 3/4" thick solid MDF
- Only available in VB, VW and VG finishes

# Decorative Hardware



**NEW!**

- Matte black

**DH801-96MBL**  
**4-1/4" Square Bar Pull**  
 3 3/4" center (96mm)

**DH801-128MBL**  
**5-1/2" Square Bar Pull**  
 5" center (128mm)

**DH00801-17MBL**  
**6-3/4" Square Bar Pull**  
 6-5/16" center (160mm)



**NEW!**

- Brushed nickel

**DH801-96BRN**  
**4-1/4" Square Bar Pull**  
 3 3/4" center (96mm)

**DH801-128BRN**  
**5-1/2" Square Bar Pull**  
 5" center (128mm)

**DH00801-17BRN**  
**6-3/4" Square Bar Pull**  
 6-5/16" center (160mm)



**NEW!**

- Champagne Bronze

**DH873-96CHBR**  
**4-1/4" Square Bar Pull**  
 3 3/4" center (96mm)

**DH873-128CHBR**  
**5-3/8" Square Bar Pull**  
 5" center (128mm)

**DH873-160CHBR**  
**6-3/4" Square Bar Pull**  
 6-5/16" center (160mm)



**NEW!**

- Brushed nickel

**DH5016-96BRN**  
**5-3/8" Tubular Bar Pull**  
 3 3/4" center (96mm)

**DH5016-128BRN**  
**6-5/8" Tubular Bar Pull**  
 5" center (128mm)

**DH5016-160BRN**  
**7-7/8" Tubular Bar Pull**  
 6-5/16" center (160mm)



**NEW!**

- Champagne Bronze

**DH5016-96CHBR**  
**5-3/8" Tubular Bar Pull**  
 3 3/4" center (96mm)

**DH5016-128CHBR**  
**6-5/8" Tubular Bar Pull**  
 5" center (128mm)

**DH5016-160CHBR**  
**7-7/8" Tubular Bar Pull**  
 6-5/16" center (160mm)



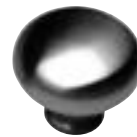
- Euro railing pull
- Brushed nickel

**DH45-100 - 6 15/16" Euro Pull**  
3-13/16" center (96mm)

**DH45-102 - 10 3/4" Euro Pull**  
7-9/16" center (192mm)

**DH45-104 - 14 7/8" Euro Pull\***  
11-3/4" center (298mm)

**DESIGN TIP:** Make sure to double check the length of drawer/  
door to ensure pull will fit the cabinet



**DH99-188**

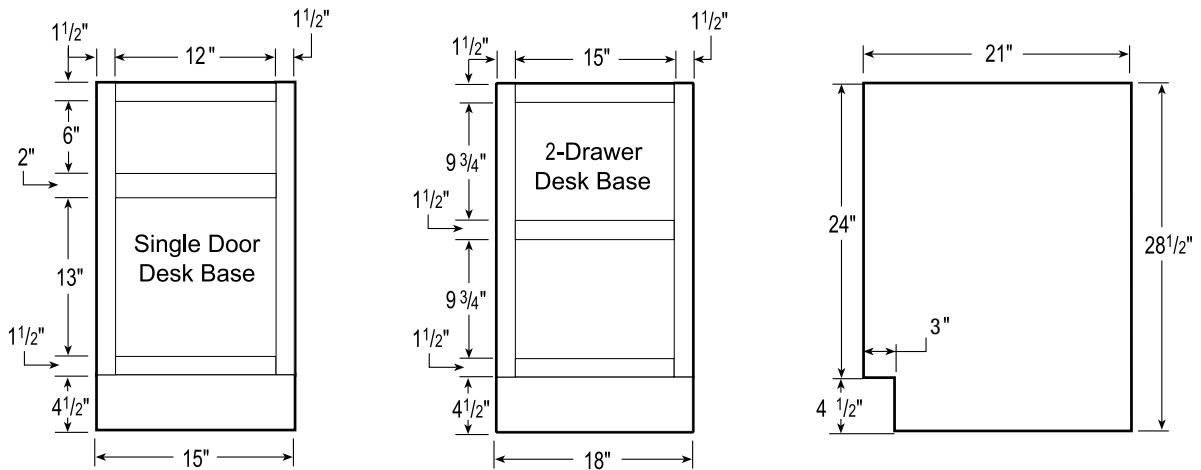
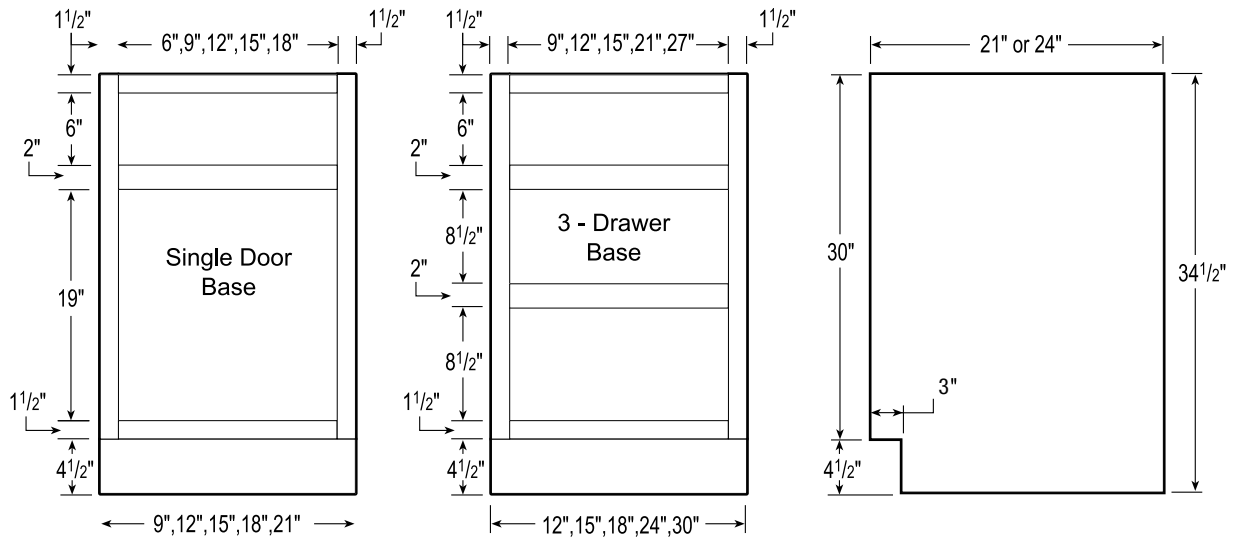
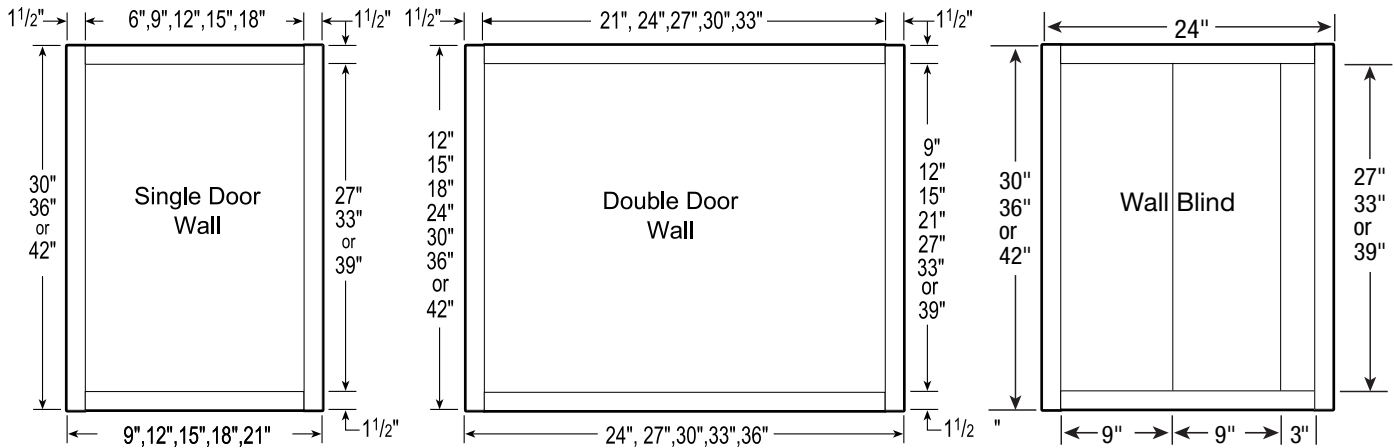
- Round knob
- Brushed nickel
- 1-1/4" diameter

**DH99-128**



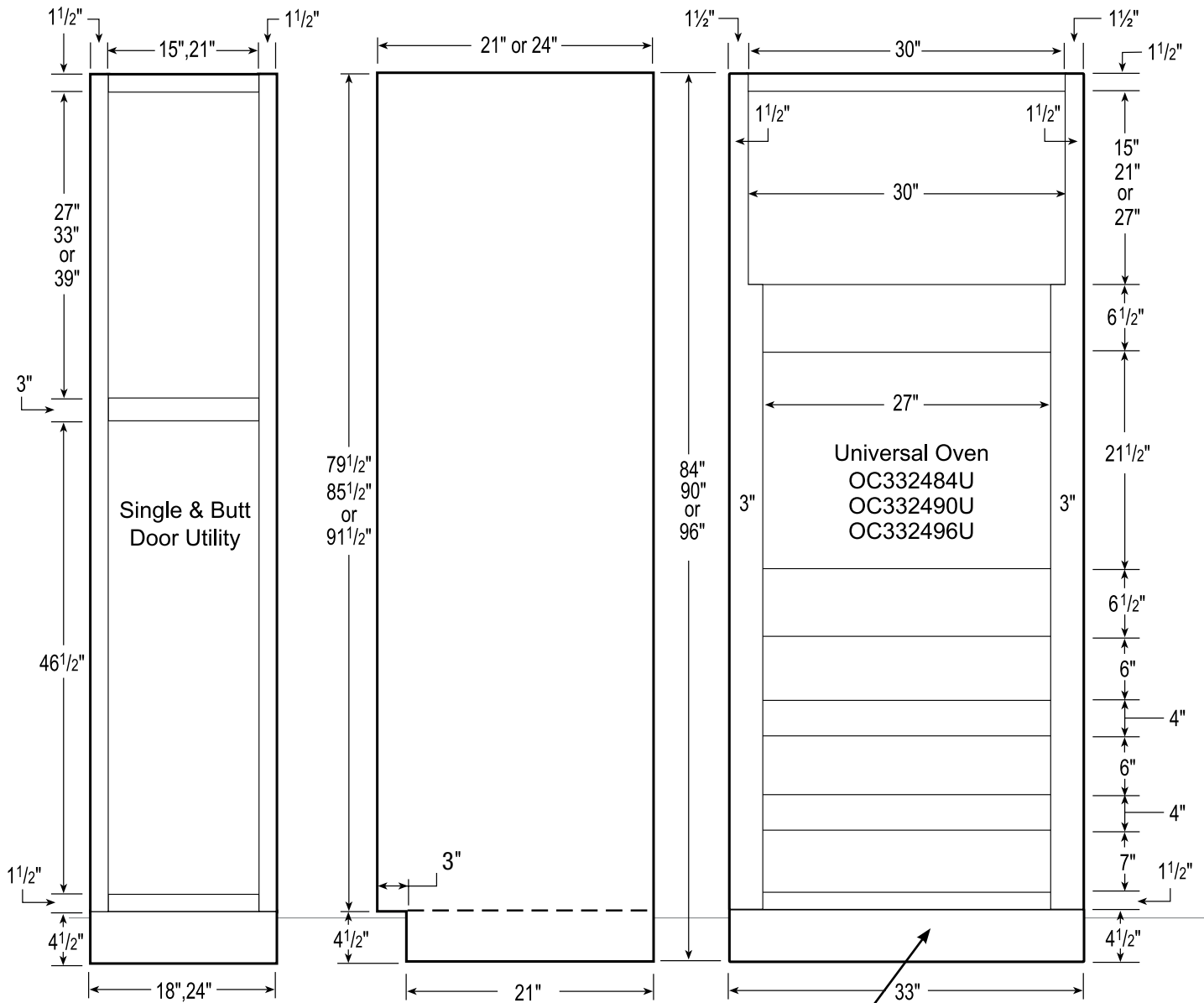
- Contemporary bow pull
- Brushed nickel
- 3-3/4" center (96mm)
- 5-1/4" outside length

# Cabinet Frame & Opening Dimensions



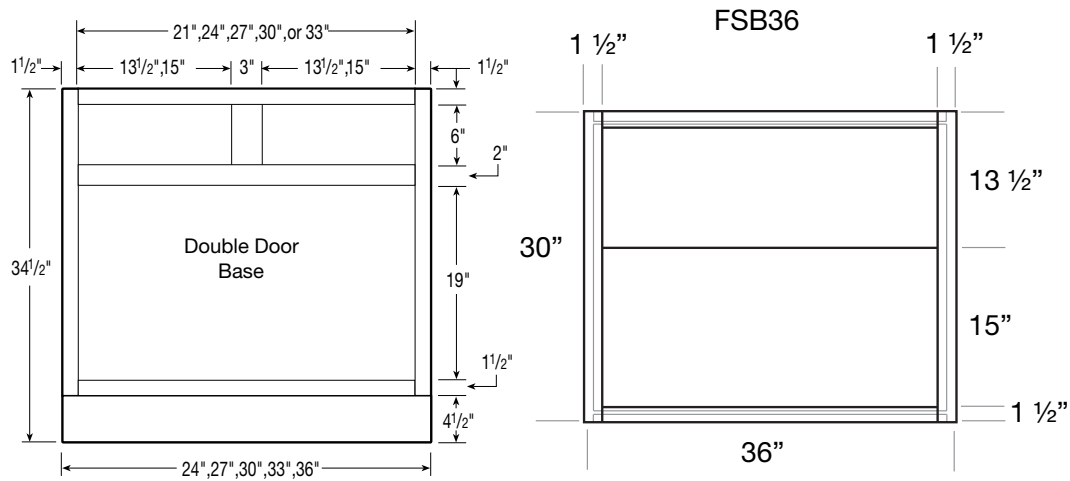


# Cabinet Frame & Opening Dimensions

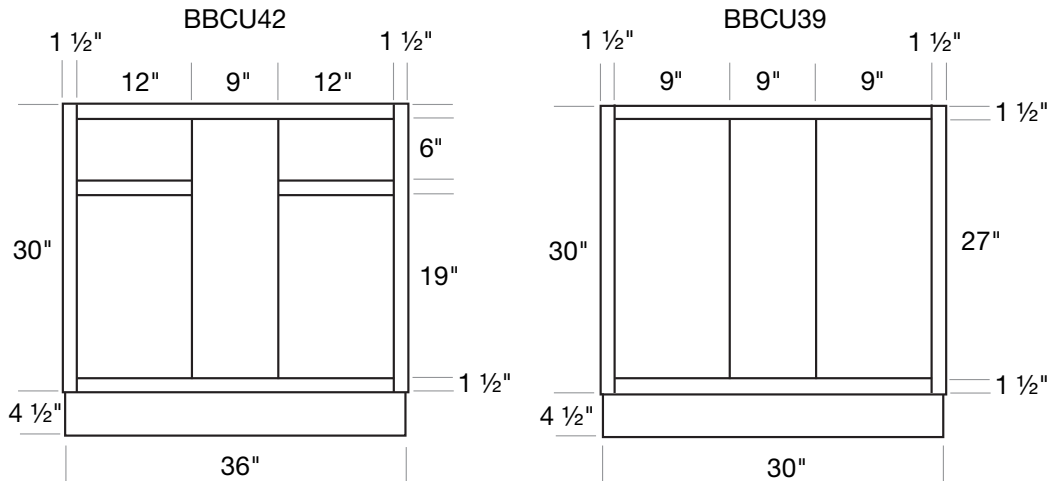


**NOTE: 96" TALL CABINETS ARE SUPPLIED WITH LOOSE TOE KICK BOX (EXPOSED SIDES REQUIRE TSK96)**

# Cabinet Frame & Opening Dimensions

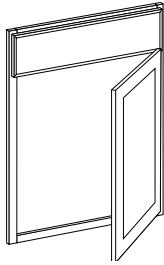


NOTE: B27, B30 have full width drawers



DRAWER BOX INSIDE DIMENSIONS						
CABINET	SHALLOW DRAWER			DEEP DRAWER		
	HEIGHT	DEPTH	WIDTH	HEIGHT	DEPTH	WIDTH
B12, BD12	4-3/8"	19-11/16"	6-7/8"	6-3/4"	19-11/16"	6-7/8"
VB1221, VBD1221	4-3/8"	16-11/16"	6-7/8"	6-3/4"	16-11/16"	6-7/8"
B15, BBCU42, BD15	4-3/8"	19-11/16"	9-7/8"	6-3/4"	19-11/16"	9-7/8"
VB1521, VBD1521	4-3/8"	16-11/16"	9-7/8"	6-3/4"	16-11/16"	9-7/8"
DDO15, DDR15	4-3/8"	19-11/16"	9-7/8"	N/A	N/A	N/A
B18, BD18	4-3/8"	19-11/16"	12-7/8"	6-3/4"	19-11/16"	12-7/8"
VB1821, VBD1821	4-3/8"	16-11/16"	12-7/8"	6-3/4"	16-11/16"	12-7/8"
B21	4-3/8"	19-11/16"	15-7/8"	N/A	N/A	N/A
B24, BD24	4-3/8"	19-11/16"	18-7/8"	6-3/4"	19-11/16"	18-7/8"
VB2421	4-3/8"	16-11/16"	18-7/8"	N/A	N/A	N/A
B27	4-3/8"	19-11/16"	21-7/8"	N/A	N/A	N/A
B30, BD30	4-3/8"	19-11/16"	24-7/8"	6-3/4"	19-11/16"	24-7/8"
VB3021	4-3/8"	16-11/16"	24-7/8"	N/A	N/A	N/A
VBD30	4-3/8"	16-11/16"	24-7/8"	6-3/4"	16-11/16"	24-7/8"
B33	4-3/8"	19-11/16"	11-1/4"	N/A	N/A	N/A
B36, BD36	4-3/8"	19-11/16"	12-7/8"	6-3/4"	19-11/16"	30-7/8"
VB3621	4-3/8"	16-11/16"	12-7/8"	N/A	N/A	N/A
OC332484U, OC332490U, OC332496U	4-3/8"	19-11/16"	24-7/8"	N/A	N/A	N/A

# CFO - Cabinet Fronts Only - Availability Guide



- Most cabinets can be ordered as "Cabinet Fronts Only" (CFO)
- Face frames, doors, hinges, and bumpers will be supplied and shipped loose
- Doors are pre-drilled for hinge installation
- In addition, plastic corner blocks will be supplied for false front installation requirements

CABINET	CFO CABINET FRONT
W0930	CFOW0930
W0936	CFOW0936
W0942	CFOW0942
W1230	CFOW1230
W1236	CFOW1236
W1242	CFOW1242
W1530	CFOW1530
W1536	CFOW1536
W1542	CFOW1542
W1830	CFOW1830
W1836	CFOW1836
W1842	CFOW1842
W2130	CFOW2130
W2136	CFOW2136
W2142	CFOW2142
W2412	CFOW2412
W2418	CFOW2418
W2430	CFOW2430
W2436	CFOW2436
W2442	CFOW2442
W2730	CFOW2730
W2736	CFOW2736
W2742	CFOW2742
W3012	CFOW3012
W3015	CFOW3015
W3018	CFOW3018
W3024	CFOW3024
W3030	CFOW3030
W3036	CFOW3036
W3042	CFOW3042
W3315	CFOW3315
W3330	CFOW3330
W3336	CFOW3336
W3342	CFOW3342
W3612	CFOW3612
W3615	CFOW3615
W3618	CFOW3618
W3624	CFOW3624
W3630	CFOW3630

CABINET	CFO CABINET FRONT
W3636	CFOW3636
W3642	CFOW3642
B09FH	CFOW0930
B12	CFOB12
B12FH	CFOW1230
B15	CFOB15
B15FH	CFOW1530
B18	CFOB18
B18FH	CFOW1830
B21	CFOB21
B21FH	CFOW2130
B24	CFOB24
B24FH	CFOW2430
B27	CFOB27
B27FH	CFOW2730
B30	CFOB30
B30FH	CFOW3030
B33	CFOB33
B33FH	CFOW3330
B36	CFOB36
B36FH	CFOW3630
FSB36	CFOBFS36
BD12	CFOBD12
BD15	CFOBD15
BD18	CFOBD18
BD24	CFOBD24
BD30	CFOBD30
BD36	CFOBD36
EZR33	CFOEZR33
EZR36	CFOEZR36
OC3384	CFOOC3384
OC3390	CFOOC3390
OC3396	CFOOC3396
U1884	CFOU1884
U1890	CFOU1890
U1896	CFOU1896
U2484	CFOU2484
U2490	CFOU2490
U2496	CFOU2496



# HOME DECORATORS COLLECTION



[hdckitchens.com](http://hdckitchens.com)

Semi-Custom Kitchen & Bath Cabinetry



Instant Kitchen  
Estimator



Free Color  
Samples



Member

**NKBA**

Lifetime  
Manufacturer  
Warranty

