

SINCE 1839

BRINLY

SINCE 1839

BRINLY

OWNER'S MANUAL

BROADCAST SPREADER

MODELS:

BS26BH

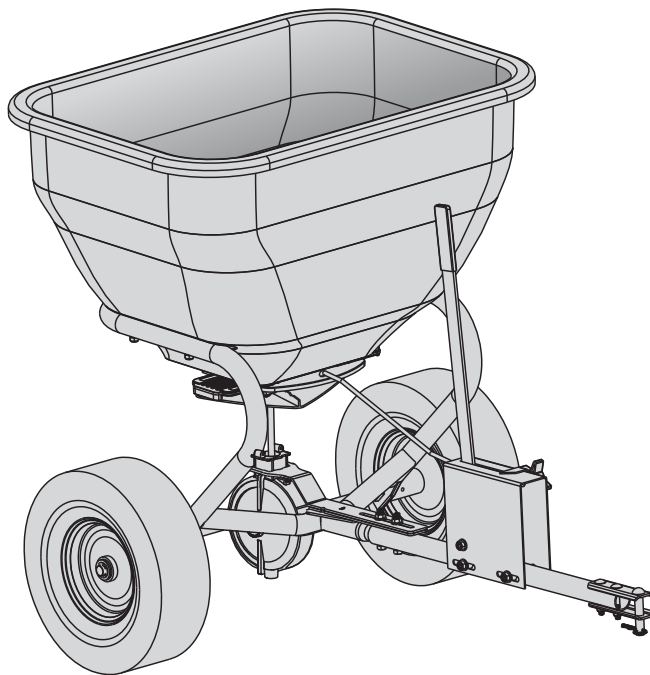
BS26BH-A

BS261BH-A

BS36BH

BS36BH-A

BSS361BH-A



- Assembly
- Installation
- Operation
- Repair Parts

*For use with Riders
and Lawn / Garden Tractors.*

Call Customer Service, Toll-Free: 877-728-8224

Visit us on the web!
www.brinly.com

Important: This manual contains information for the safety of persons and property. Read it carefully before assembly and operation of the equipment!

INTRODUCTION AND SAFETY

CONGRATULATIONS on your new Brinly-Hardy Broadcast Spreader! This accessory has been designed, engineered and manufactured to give you the best possible dependability and performance.

Should you experience any problem you cannot easily remedy, please do not hesitate to contact our knowledgeable customer service department toll-free at 1-877-728-8224. We have competent, well trained technicians to help you with the assembly and use of your product.



CUSTOMER RESPONSIBILITIES

- Please read & retain this manual. The instructions will enable to assemble and maintain your product properly.
- Please carefully read and observe the SAFETY SECTION of this manual.
- Follow a regular schedule in maintaining and caring for your Brinly-Hardy product.

TABLE OF CONTENTS

SAFETY 2-3

PARTS

- *Hardware Identifier* 4-5
- *Part Lists and Diagrams* 6-9

ASSEMBLY 10-21

USE AND CARE

- *Specifications* 22
- *Operation* 23
- *Annual Maintenance* 24-27
- *Flow Settings* 28-30
- *Troubleshooting* 31
- *Service* 32-33

WARRANTY 34

RECORD PURCHASE INFORMATION

Record your purchase information in the spaces provided below:

Date of Purchase _____

Company Name _____

Company Phone _____

Serial Number _____

SAFETY



This symbol will help to point out important safety precautions throughout this manual. It means: **ATTENTION! BECOME ALERT! YOUR SAFETY IS INVOLVED.**

REQUIRED TOOLS FOR ASSEMBLY



- 1/2" Wrench (x2)
- 7/16" Wrench (x2)
- Pliers
- Flat Head Screwdrivers

The machine safety labels shown in this section are placed in important areas on your machine to draw attention to potential safety hazards.

On your machine safety labels, the words **DANGER**, **WARNING**, and **CAUTION** are used with this safety-alert symbol. **DANGER** identifies the most serious hazards.

The operator's manual also explains any potential safety hazards whenever necessary in special safety messages that are identified with the word, **CAUTION**, and the safety-alert symbol.

SAFETY

Read the general safety operating precautions in your towing vehicle operator's manual for additional safety information.

OPERATE SAFELY

- Use this machine for intended purpose only.
- This machine is intended for use in lawn care and home applications. Do not tow behind a vehicle on a highway or in any high speed applications. Do not tow at speeds higher than maximum recommended towing speed.
- Towing speed should always be slow enough to maintain control. Travel slowly over rough ground.
- Do not let children or an untrained person operate machine.
- Do not let anyone, especially children, ride on this machine or the towing vehicle. Riders are subject to injury such as being struck by foreign objects and being thrown off. Riders may also obstruct the operator's view, resulting in this machine being operated in an unsafe manner. Check towing vehicle brake action before you operate. Adjust or service brakes as necessary.
- Keep all parts in good condition and properly installed. Fix damaged parts immediately. Replace worn or broken parts. Replace all worn or damaged safety and instruction decals. Do not modify the machine or safety devices. Unauthorized modifications to the towing vehicle or machine may impair its function and safety, and void the warranty.
- Keep all nuts, bolts and screws tight.

OPERATING HINTS

- Always operate your spreader with the speed limit for which it was designed - **3 MPH**.
- When backing - carefully back straight to avoid jack knifing which could result in damage to equipment.
- Only tow your spreader behind vehicles for which it was designed - riders, lawn/garden tractors. **DO NOT TOW** this spreader behind high speed equipment such as ATV's, RTV's, or Pick up trucks.
- Do not load the hopper with more than the maximum weight capacity of 175 pounds for BS-36 and 125 pounds for BS-26.

SAFETY RULES

- Know controls and how to stop quickly, **READ THE VEHICLE OWNER'S MANUAL**.
- Do not allow children to operate the vehicle, do not allow adults to operate without proper instruction or without having read the owner's manual.
- Do not carry passengers. Keep children and pets a safe distance away.
- Always wear substantial footwear. Do not wear loose fitting clothing that can get caught in moving parts.
- Use only approved hitches. Tow only with a machine that has a hitch designed for towing. Do not attach this machine except at the approved hitch point.
- Keep your eyes and mind on your vehicle & attachment. Do not let other interests distract you.
- Stay alert for holes in the terrain and other hidden hazards.
- Do not drive close to creeks, ditches and public highways.
- Watch out for traffic when crossing or near roadways.
- When using any attachment, don't allow anyone near the vehicle while in operation.
- Before you operate any feature of this machine, observe your surroundings and look for bystanders.
- Always wash hands after contact with fertilizers and pesticides.
- Keep all nuts, bolts and screws tight to be sure the equipment is in safe working condition.
- The vehicle and attachment should be stopped and inspected for damage after striking a foreign object. The damage should be repaired before restarting and operating the equipment.
- Maximum speed - 3 mph.
- Maintain broadcast spreader tires inflated to 20 psi.
- This attachment is intended for lawn care. Do not tow behind a vehicle on a highway.
- Avoid tipping and skidding.
- Avoid holes, rocks and roots.
- Slow down before you turn.
- Keep riders off of hitch bracket.

HARDWARE IDENTIFIER

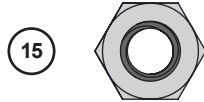
Illustrations on this page are to scale for faster identification of hardware during assembly.

DO NOT RETURN PRODUCT IF YOU ARE MISSING PARTS.

Please Call: 1 (877) 728-8224



5
Nut: Nylon Lock
1/4" (x6)
B-4785



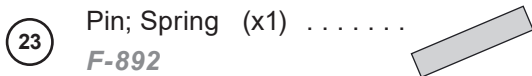
15
Nut; Nylon Lock
5/16" (x5)
B-4786



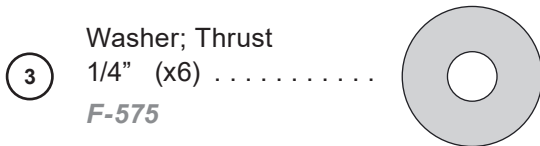
26
Nut: Hex Head
5/16" -18 (x2)
30M1000P



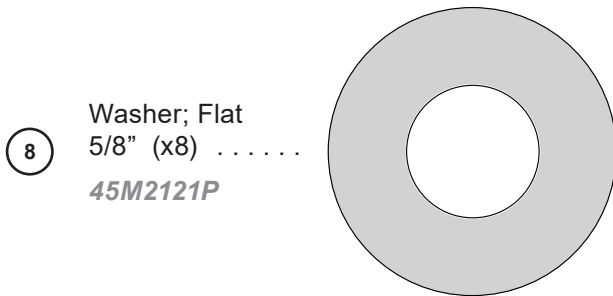
54
Nut: Hex Lock
5/16" -18 (x2)
B-1674P



23 Pin; Spring (x1)
F-892



3 Washer; Thrust
1/4" (x6)
F-575



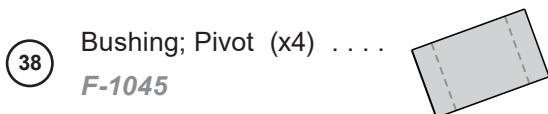
8 Washer; Flat
5/8" (x8)
45M2121P



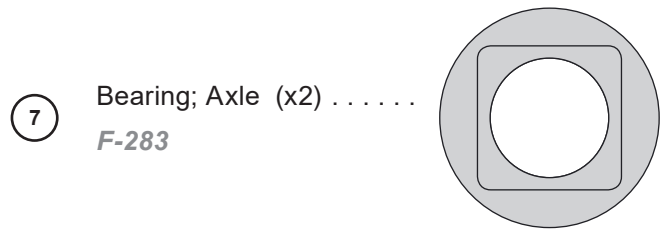
20 O-Ring
3/8" (x1)
F-365



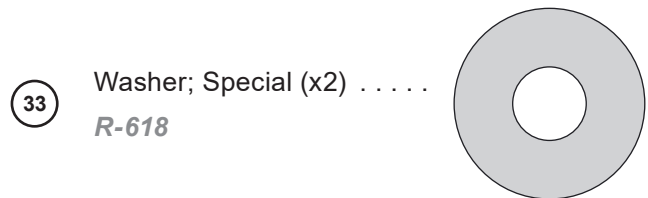
32 Washer; Flat
5/16" (x8)
45M1111P



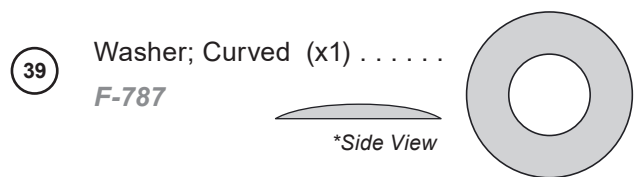
38 Bushing; Pivot (x4)
F-1045



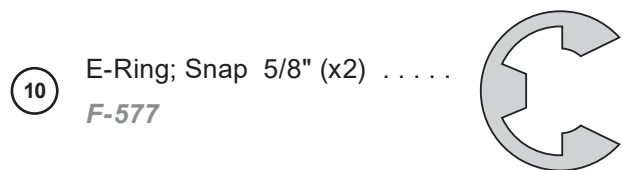
7 Bearing; Axle (x2)
F-283



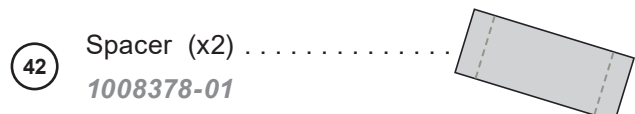
33 Washer; Special (x2)
R-618



39 Washer; Curved (x1)
F-787
*Side View



10 E-Ring; Snap 5/8" (x2)
F-577



42 Spacer (x2)
1008378-01

HARDWARE IDENTIFIER

Illustrations on this page are to scale for faster identification of hardware during assembly.

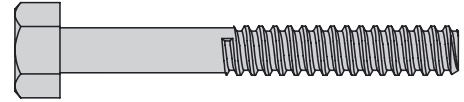
DO NOT RETURN PRODUCT IF YOU ARE MISSING PARTS.

Please Call: 1 (877) 728-8224

4

Bolt; Carriage, 1/4 x 1-3/4" (x6)

2M0828SS



13

Pin; Hitch, 1/2" x 2 1/2" (x1)

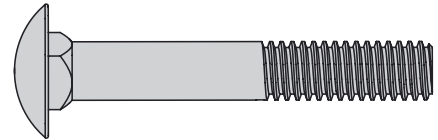
B-3861



14

Bolt; Carriage, 5/16 x 2" (x2)

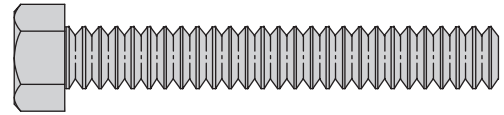
10M1032P



27

Bolt; Hex, 5/16 x 2-1/4" (x2)

2M1036P-FT



36

Bolt; Hex, 5/16 x 2-3/4" (x3)

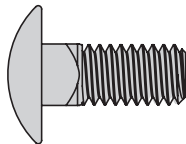
2M1044P



41

Bolt; Carriage
5/16 x 3/4" (x1)

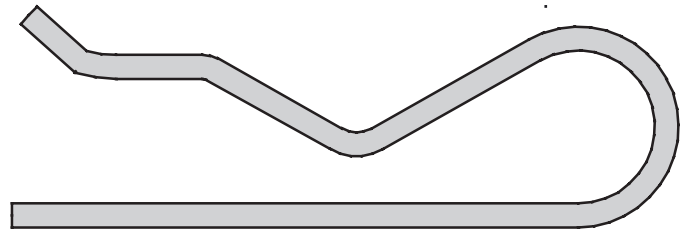
11M1012P



40

Hairpin Cotter; .148" Diameter
(x1)

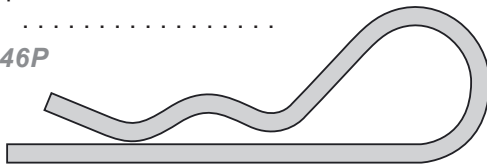
B-1002P



16

Hairpin Cotter
(x1)

D-146P



18

Pin; Cotter
1/8 x 1" (x1)

50M0416P



19

Spring; Agitator, SS
(x1)

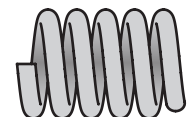
F-436



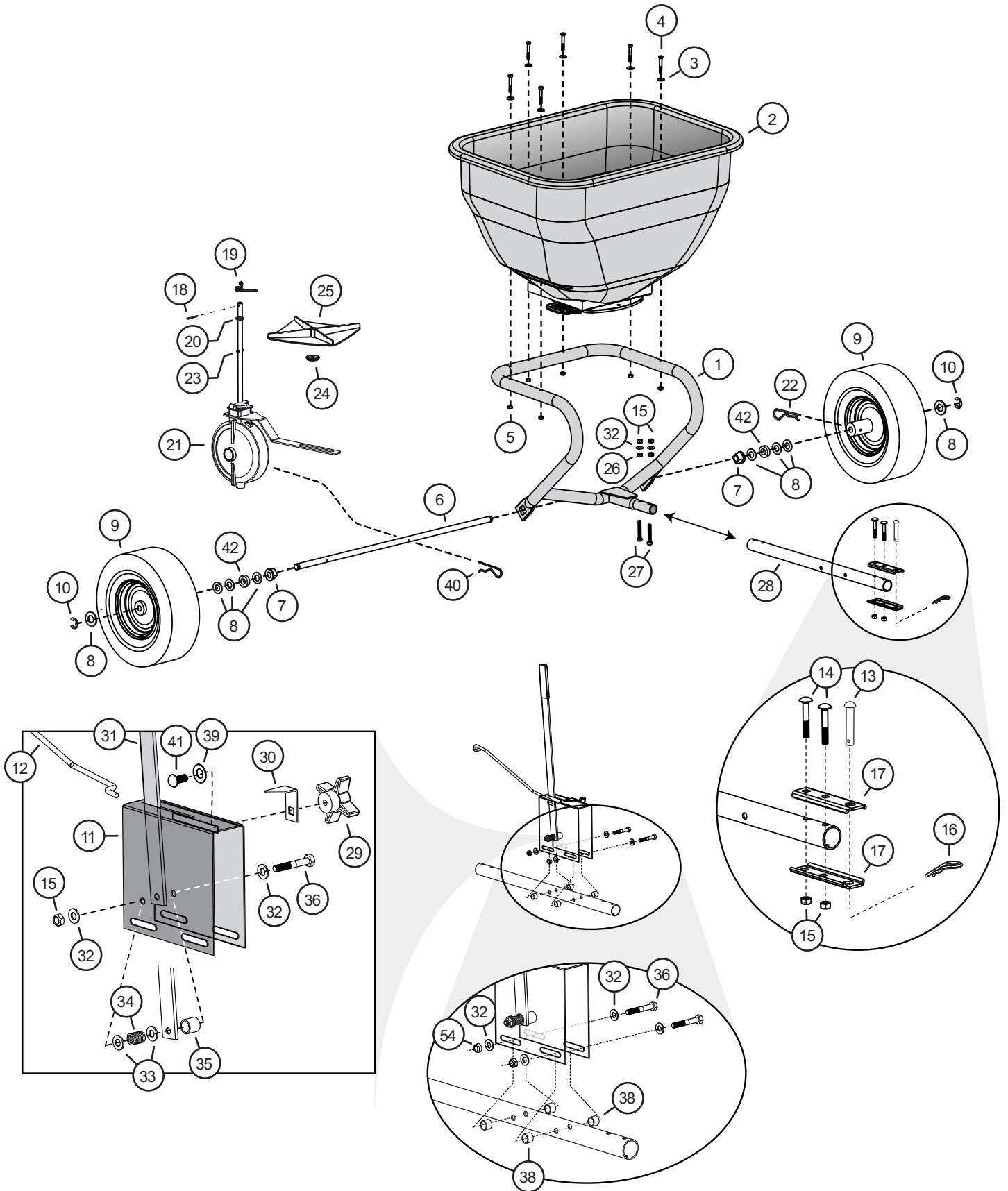
34

Spring (x1)

B-3805



COMPONENT VIEW AND REFERENCE LIST



COMPONENT VIEW AND REFERENCE LIST

Ref. #	BS26BH		BS36BH		Description	Qty
	BS26BH-A	BS261BH-A	BS36BH-A	BS361BH-A		
Ref. #	Part #	Part #	Part #	Part #	Description	Qty
1	F-1029-10	F-1029-10	F-1029-10	F-1029-10	Hopper Support	1
2	F-1030	F-1030	F-1031	F-1031	Hopper	1
6	F-1013-01	F-1013-01	F-1013-01	F-1013-01	Axle; Plated	1
9	1008774	1008774	1008774	1008774	Wheel; Pneumatic, Composite Rim	2
11	F-1009-10	F-1009-10	F-1009-10	F-1009-10	Plate; Gauge	1
12	F-1010	F-1010	F-1010-01	F-1010-01	Rod; Link	1
17	R-892-10	R-892-10	R-892-10	R-892-10	Clevis	2
21	F-1015	F-1015	F-1015	F-1015	Transmission Assembly	1
23	F-892	F-892	F-892	F-892	Pin; Spring	1
25	F-573	F-573	F-573	F-573	Fan	1
28	F-1023-10	F-1023-10	F-1023-10	F-1023-10	Tube; Tow	1
30	F-781-01	F-781-01	F-781-01	F-781-01	Handle; Stop	1
31	F-1008-10	F-1008-10	F-1008-10	F-1008-10	Handle; Flow Control	1
42	1008378-01	1008378-01	1008378-01	1008378-01	Spacer	2
55	N/A	BS-HANDEXTBH	N/A	BS-HANDEXTBH	Handle Extension Kit	1
56	N/A	1009191	N/A	1009191	Hopper Cover	1

Skinpack Z-1912 *(Used on all models)*

Ref #	Part #	Description	Qty	Ref #	Part #	Description	Qty
3	F-575	Washer; Thrust, 1/4"	6	26	30M1000P	Nut; Hex, 5/16"-18	2
4	2M0828SS	Bolt, Hex Stainless, 1/4" x 1-3/4"	6	27	2M1036P-FT	Bolt; Hex, 5/16" x 2-1/4"	2
5	B-4785	Nut; Nylon Lock, 1/4"	6	29	F-782	Knob; 4 Prong, Black	1
7	F-283	Axle; Bearing	2	32	45M1111P	Washer; Flat, 5/16"	8
8	45M2121P	Washer; Flat, 5/8"	8	33	R-618	Washer; Special	2
10	F-577	E-Ring; Snap, 5/8"	2	34	B-3805	Spring	1
13	B-3861	Pin; Hitch, 1/2" x 2-1/2"	1	35	B-3721	Spacer; Latch	1
14	10M1032P	Bolt, Carriage, 5/16" x 2"	2	36	2M1044P	Bolt; Hex, 5/16" x 2-3/4"	3
15	B-4786	Nut; Nylon Lock, 5/16"	5	37	R-1882	Grip; Flat	1
16	D-146P	Cotter; Hairpin, 1/8"	1	38	F-1045-01	Bushing; Pivot	4
18	50M0416P	Pin; Cotter, 1/8" x 1"	1	39	F-787	Washer; Crvd. Spring-Glv	1
19	F-436	Spring, Agitator, SS	1	40	B-1002P	Cotter; Hairpin, .148 Diameter	1
20	F-365	O-Ring; I.D. AS-110, 3/8"	1	41	11M1012P	Bolt; Carriage, 5/16" x 3/4"	1
22	F-620	Cotter; Special Hairpin	1	54	B-1674P	Nut, Lock, 5/16"-18	2
24	F-591	Driver; Fan	1				

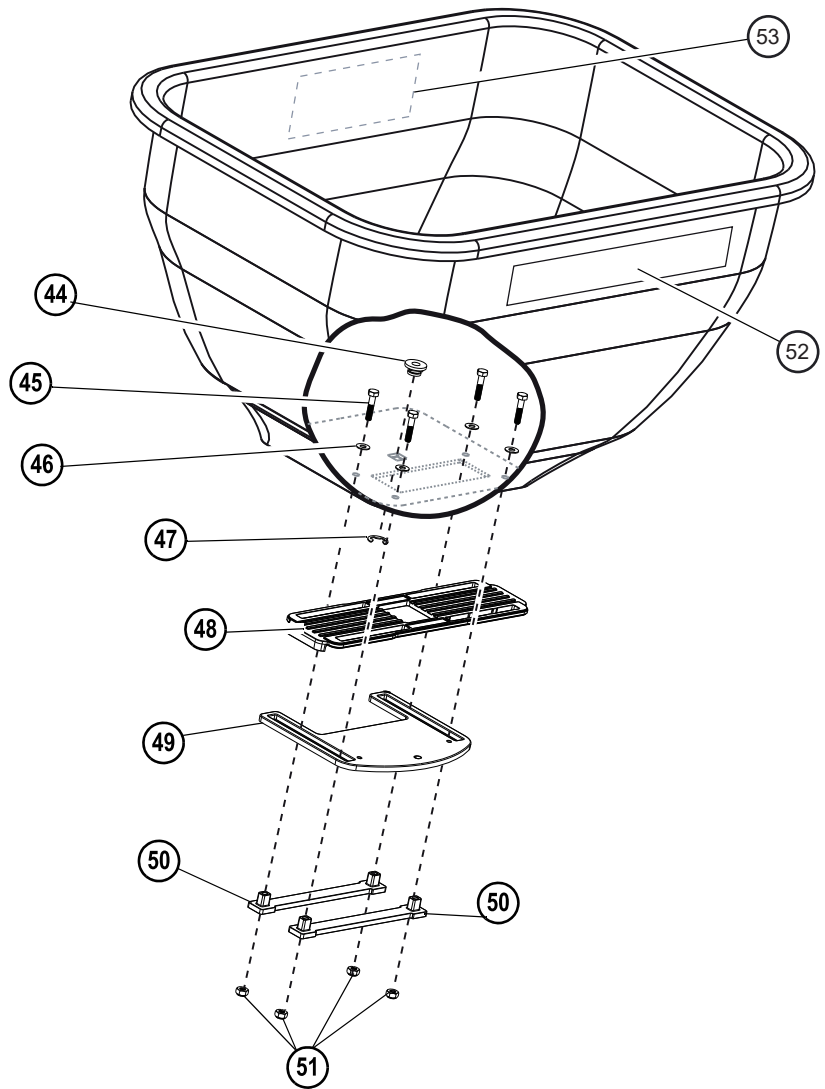
COMPONENT VIEW AND REFERENCE LIST

NOTE:

Gate and directional control plate movement can be adjusted by tightening / loosening bolts (45).

The bolts don't require much tightening or loosening. Use 1/8 turns or less on each bolt, then test the gate and directional control plate for your preferred settings.

Periodically check bolts for tightness.



Installation Questions?
Missing Parts?
Replacement Parts?



**DON'T GO
BACK TO
THE STORE!**

Please call our Customer Service
Department, Toll Free: 877-728-8224

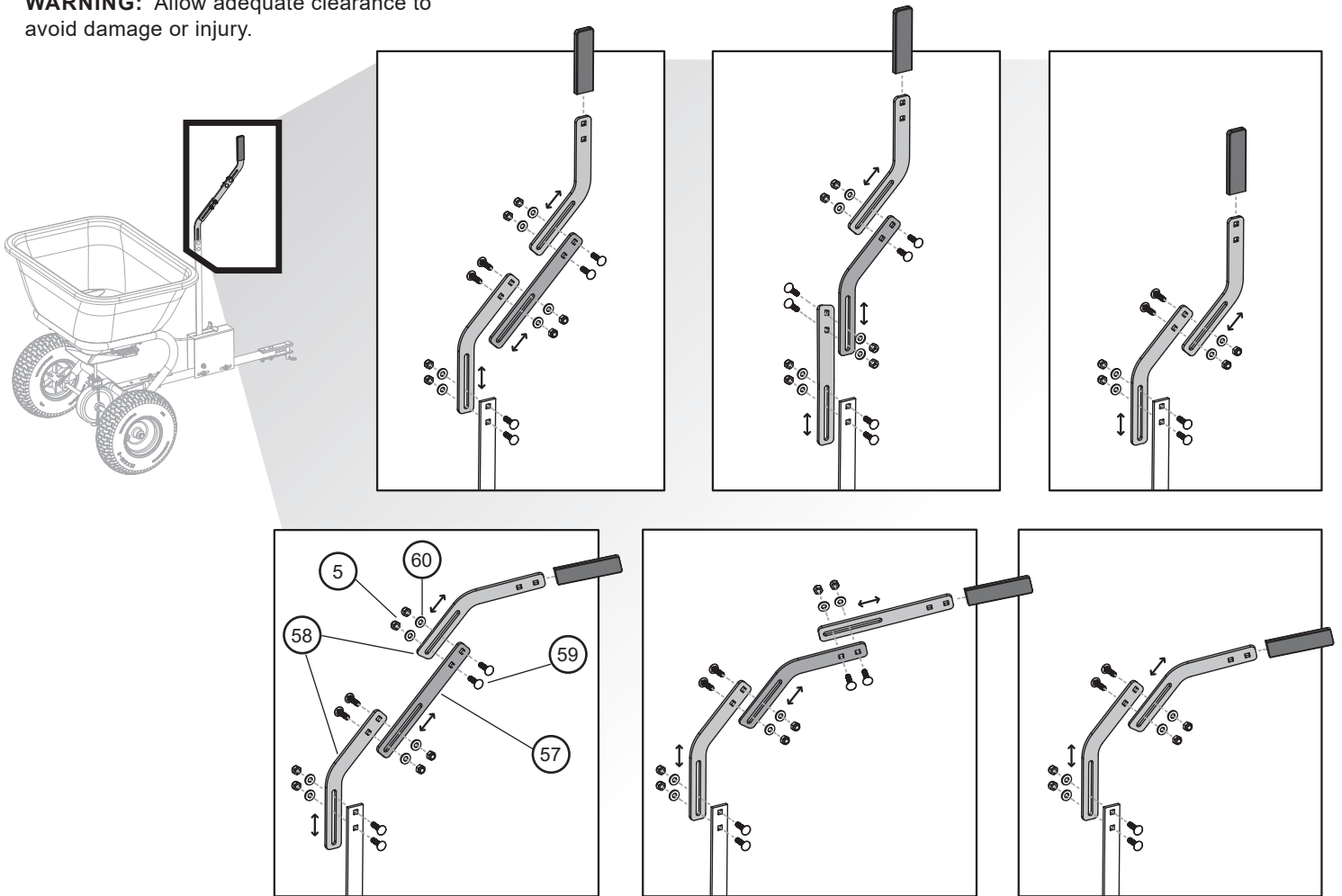
Or Email:
customerservice@brinly.com

Hopper Assembly (Used on all models)

Ref #	Part #	Description	Qty
44	F-574	Bearing; Shaft	1
45	2M0820SS	Bolt; Hex, 1/4" x 1-1/4" SS	4
46	45M0909SS	Washer, Plain SS	4
47	F-577	E-Ring, 5/8"	1
48	B-7392	Plate; Directional Control	1
49	B-7391	Gate	1
50	B-7393	Strap	2
51	1005198	Nut; Hex Lock, 1/4"-20 SS	4
52	F-1003	Label; Calibration / Directional	1
53	B-5924	Decal; Logo	1

COMPONENT VIEW AND REFERENCE LIST

WARNING: Allow adequate clearance to avoid damage or injury.



Handle Extension Kit BS-HANDEXTBH (Not included in all models)

Ref #	BS261BH-A Part #	BS361BH-A Part #	Description	Qty
57	1020261-10	1020261-10	Handle, Straight Extension	1
58	1020219-10	1020219-10	Handle, Angle Extension	2
	1020220	1020220	Hardware Bag	1
59	11M0816P	11M0816P	Bolt, Carriage, 1/4" x 1"	6
60	45M0909P	45M0909P	Washer, Flat, 1/4"	6
5	B-4785	B-4785	Nut, Nylon Lock, 1/4"-20	6

ASSEMBLY

Assembly Tip

Illustrations on pages 4 & 5 are to-scale.

For faster identification of the hardware during assembly, simply lay the hardware on top of these illustrations.

Additional info and videos are available on our website: brinly.com

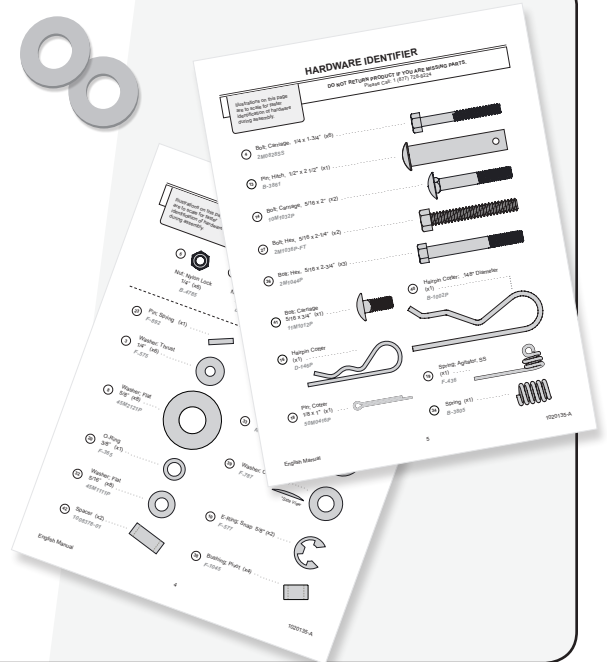
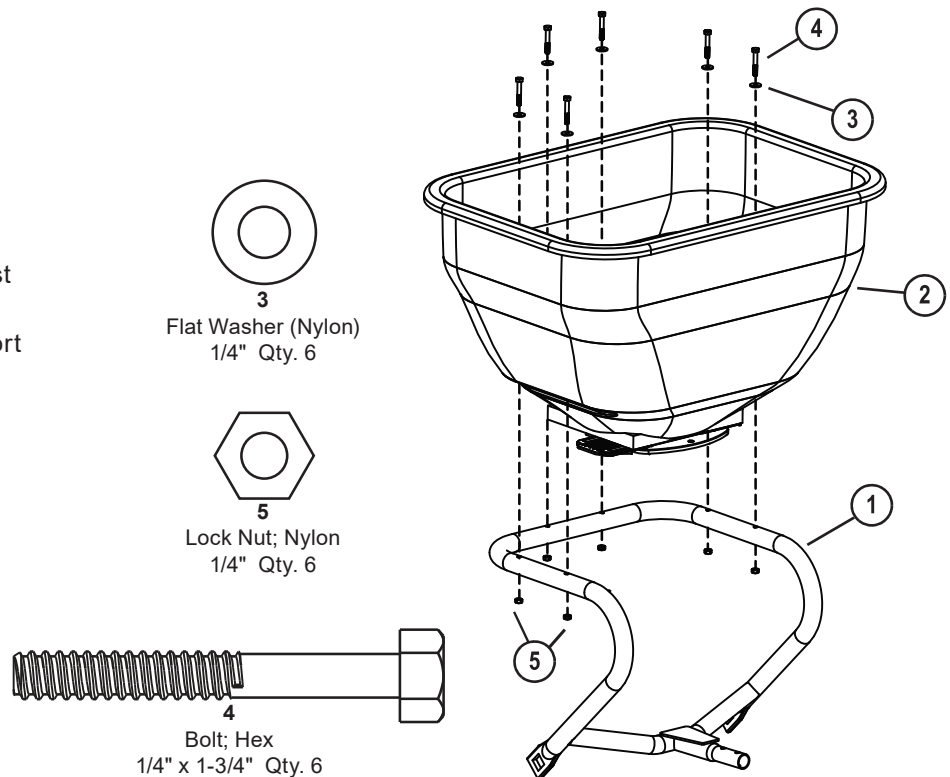


Figure 1

INSTALL HOPPER SUPPORT TO THE HOPPER

1a. Install six 1/4 x 1-3/4 in. hex bolts (4), and 1/4 in. thrust washer (3) through top of hopper (2) and through support frame (1), as shown.

1b. Secure bottom of bolt with 1/4 in. lock-nut (5). To avoid damage to plastic, do not overtighten hardware.



ASSEMBLY

Figure 2

ATTACH TOW TUBE

Attach Tow Tube (28) to the Hopper Support (1).

Secure using two 5/16" x 2-3/4" Hex Bolts (27) and two 5/16"-18 Hex Nuts (26).

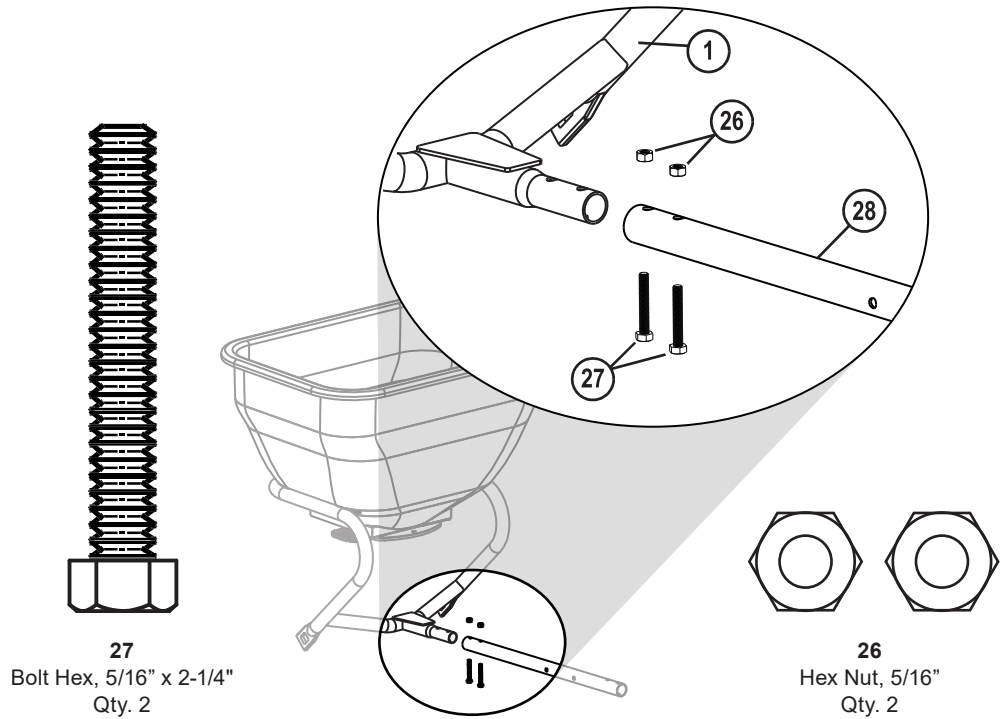
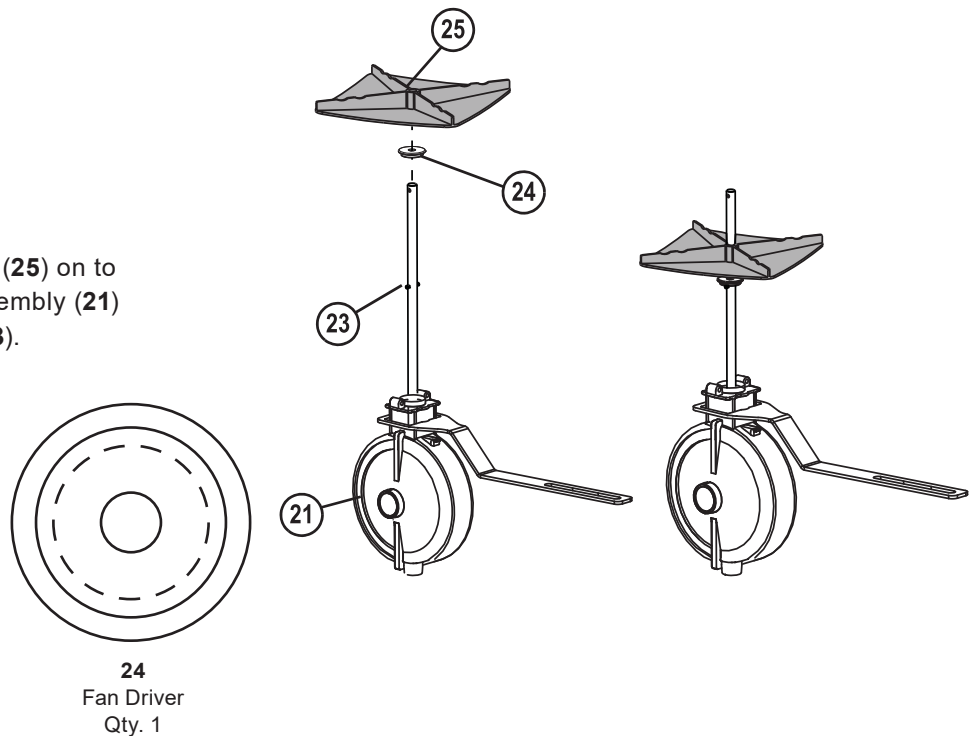


Figure 3

ASSEMBLY FAN TO TRANSMISSION

Slide the Fan Driver (24) and Fan (25) on to the shaft of the Transmission Assembly (21) until both reach the Pin Spring (23).

Note: This is for pre-assembly only. Final adjustment of the fan is made later.



ASSEMBLY

Figure 4

INSTALL TRANSMISSION AND AXLE

- 4a. Maneuver the transmission assembly (21) shaft into the center hole of the Hopper Assembly (2). Ensure that the slot of the transmission brace rests on top of the two tow tube hex nuts previously installed in Figure 2, as shown.

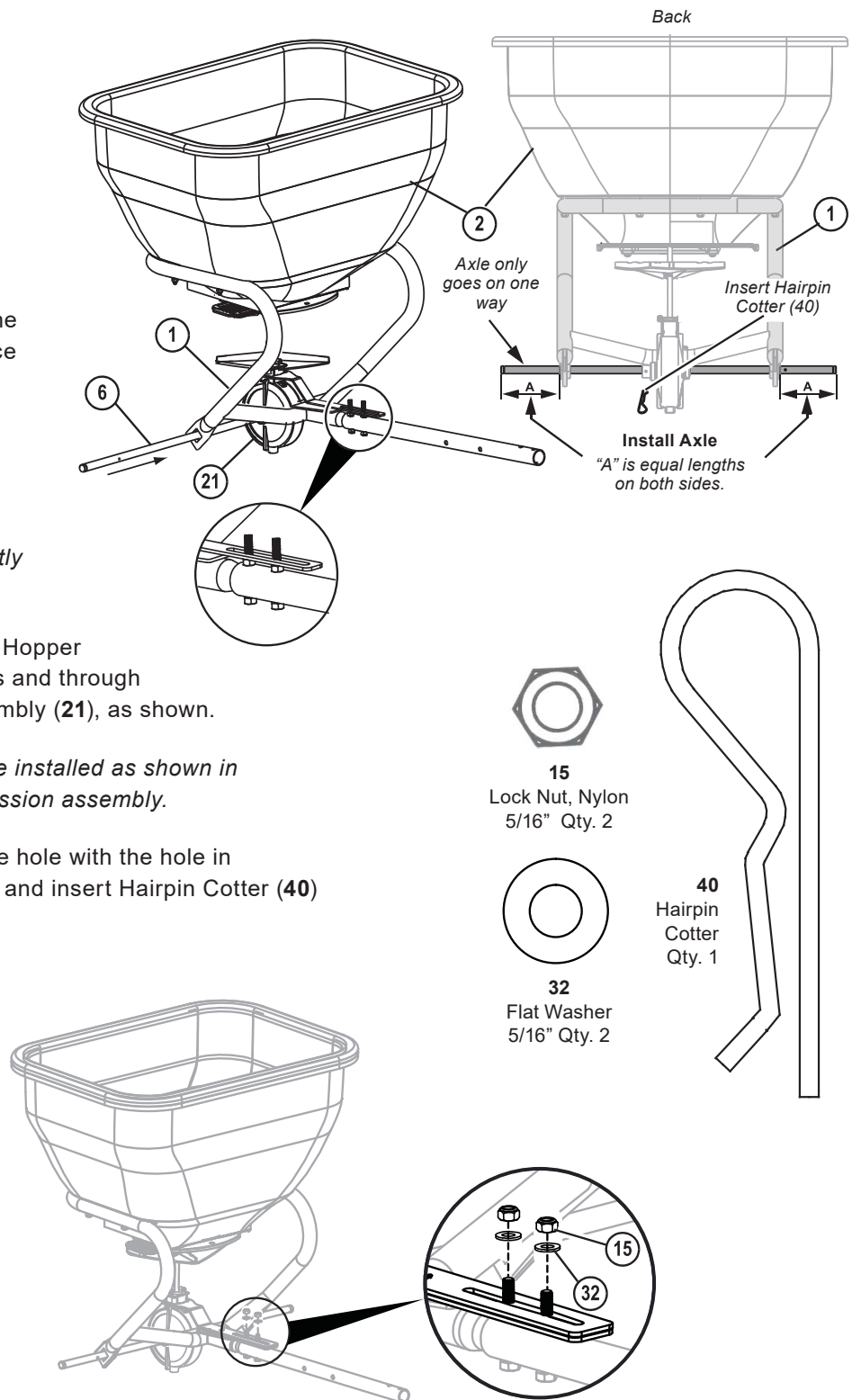
NOTE: Failure to install the transmission bracket correctly may void the warranty.

- 4b. Insert Axle (6) through both Hopper Support (1) square openings and through center of transmission assembly (21), as shown.

NOTE: The axle needs to be installed as shown in order to engage the transmission assembly.

- 4c. Rotate the axle to line up the hole with the hole in Transmission assembly hub and insert Hairpin Cotter (40)

- 4d. Secure the transmission brace by attaching two 5/16" Flat Washers (32) and two Nylon Lock Nuts (15), then tighten.



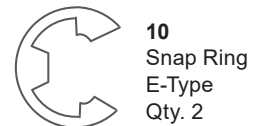
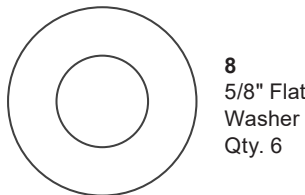
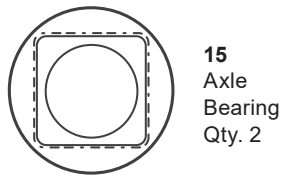
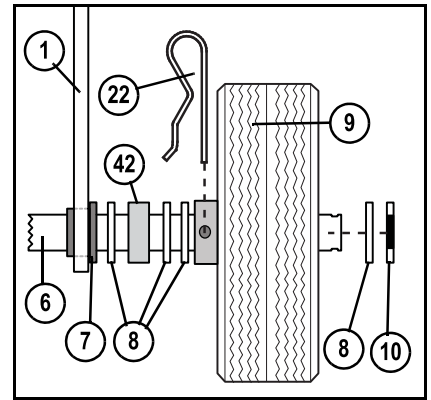
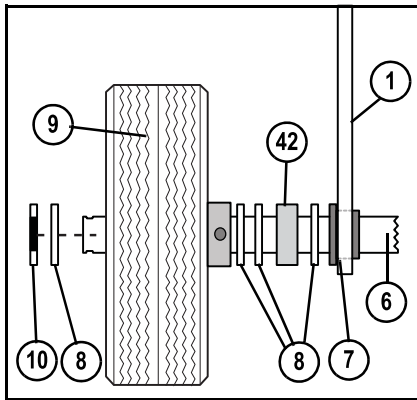
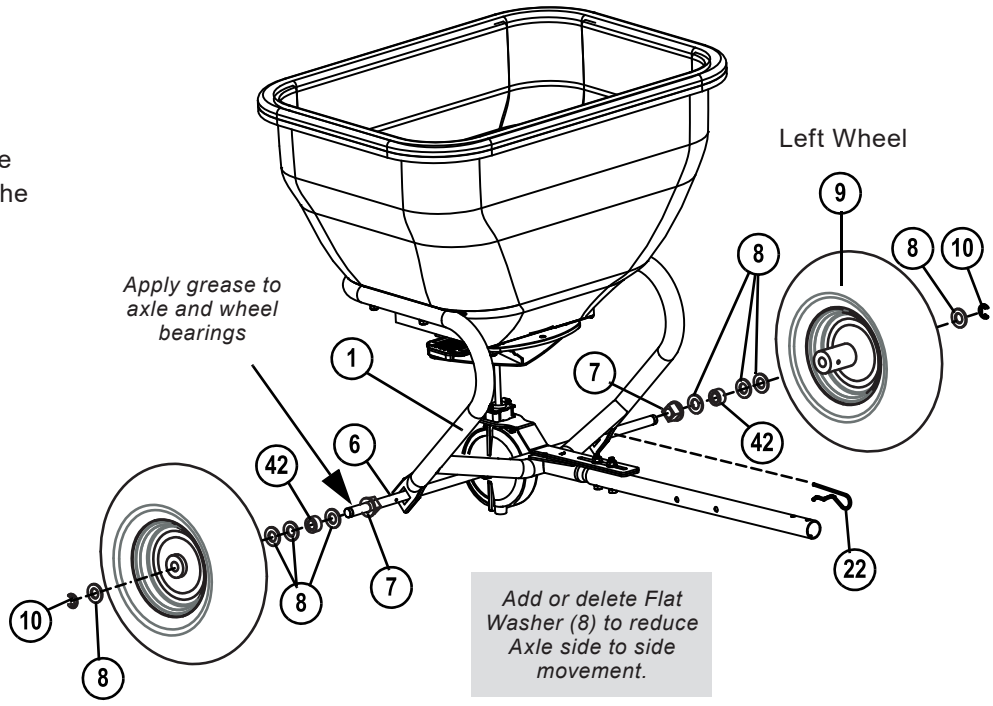
ASSEMBLY

Figure 5a

INSTALL WHEELS

Attach each Wheel (9) to the Axle (6) using hardware in the following order:

- One Axle Bearing (7)
- One Flat Washer 5/8" (8)
- One Spacer (42)
- One or two Flat Washers 5/8" (8) as needed.
- One Composite Wheel (9)
- One Flat Washer 5/8" (8)
- One Snapping E-Ring (10)



ASSEMBLY

Figure 5b

5b. Secure Axle to the left wheel by inserting Hairpin Cotter (22) through the wheel hub and axle. *NOTE: The axle may need to be turned in order to line up the hole in the axle with the hole through the wheel hub.*

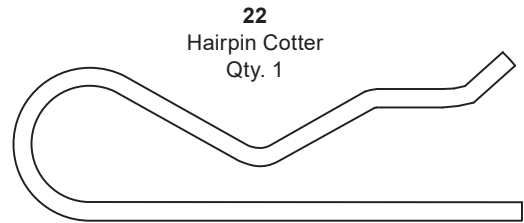
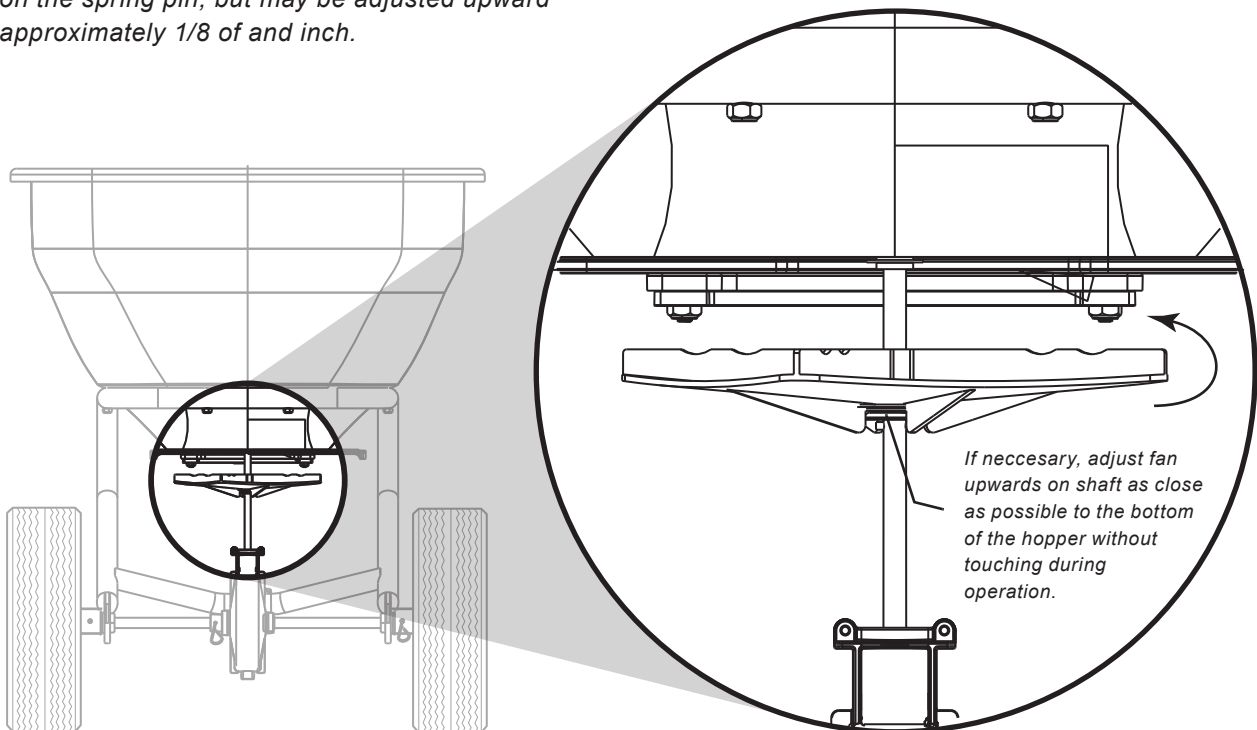


Figure 6

FAN ADJUSTMENT

6a. Adjust fan upwards on shaft as close as possible to the bottom of the hopper without touching during operation.

NOTE: The fan and fan driver normally rests on the spring pin, but may be adjusted upward approximately 1/8 of an inch.

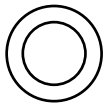


ASSEMBLY

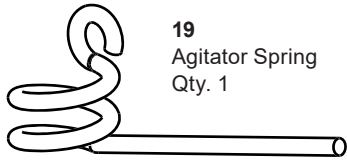
Figure 7

INSTALL AGITATOR

7a. Place O-Ring (20) over transmission shaft. Slide down to hopper bottom to create seal.

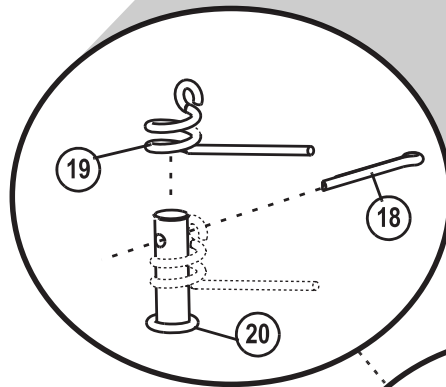


20
O-Ring 3/8"
Qty. 1

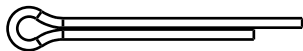


19
Agitator Spring
Qty. 1

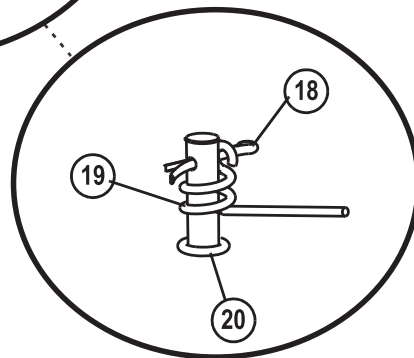
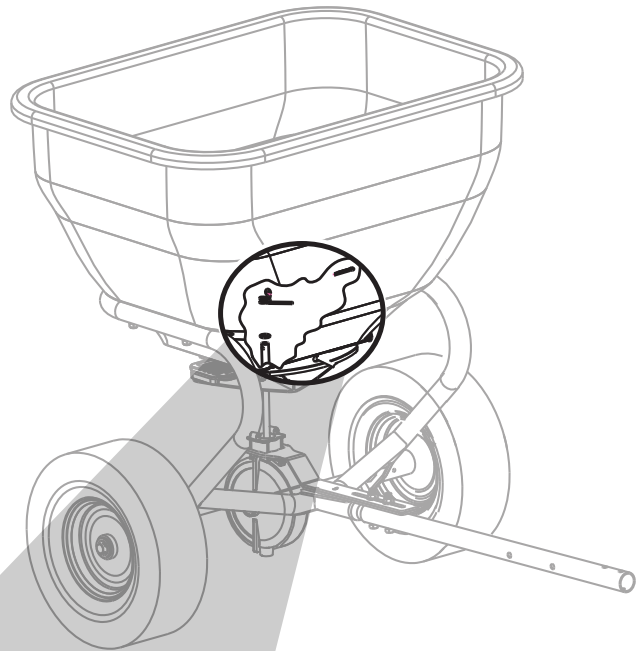
7b. Slide Agitator Spring (19) over the transmission shaft.



7c. Insert cotter pin (18) through spring and the hole at the top of the transmission shaft. Flair ends to keep in place.



18
Cotter Pin, 1/8" x 1"
Qty. 1



ASSEMBLY

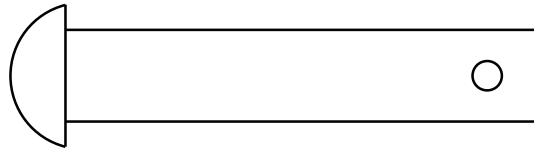
Figure 8

INSTALL CLEVIS

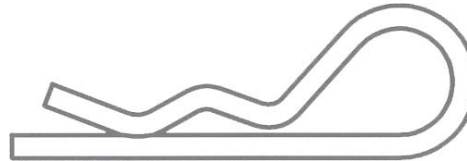
8a. Attach the upper and lower Clevis (17) halves to the Tow Tube (28).

Secure with two 5/16" x 2" Carriage Bolts (14) and two 5/16" Nylon Hex Nuts (15), as shown.

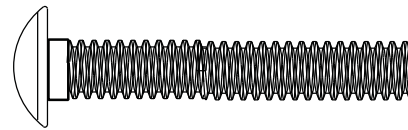
8b. Insert 1/2" x 2-1/2" Hitch Pin in to Clevis and secure.



13
Hitch Pin
1/2" x 2-1/2"
Qty. 1



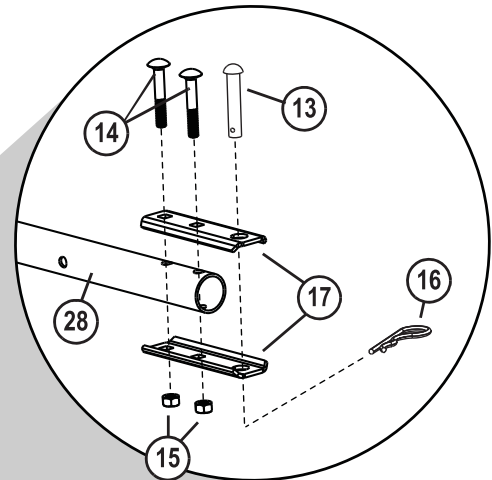
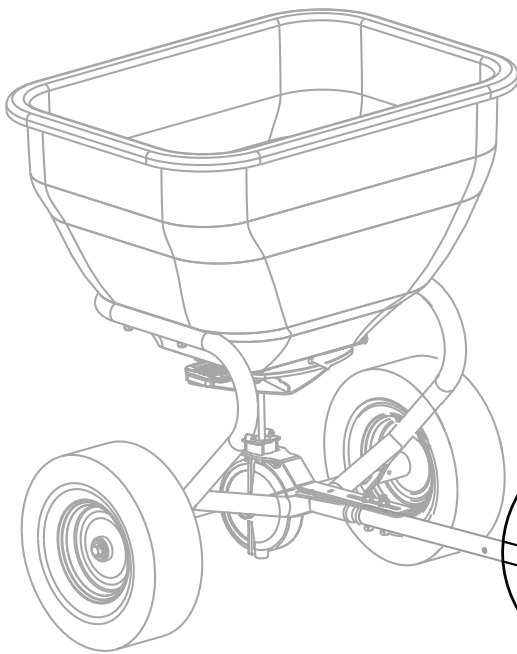
16
Hairpin
Cotter 1/8"
Qty. 1



14
Carriage Bolt
5/16" x 2"
Qty. 2



15
Nylon Lock
Nut 5/16"
Qty. 2



ASSEMBLY

Figure 9a

ASSEMBLE GAUGE PLATE

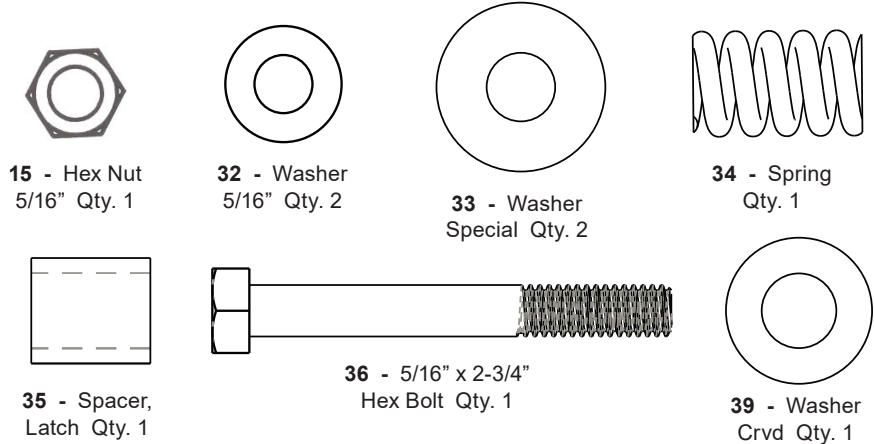
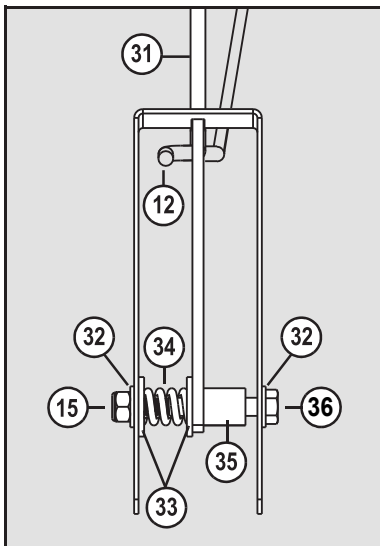
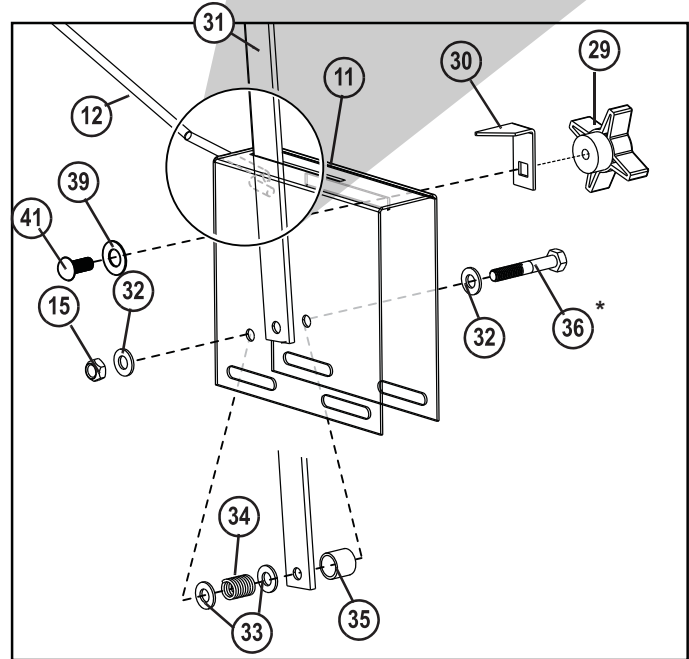
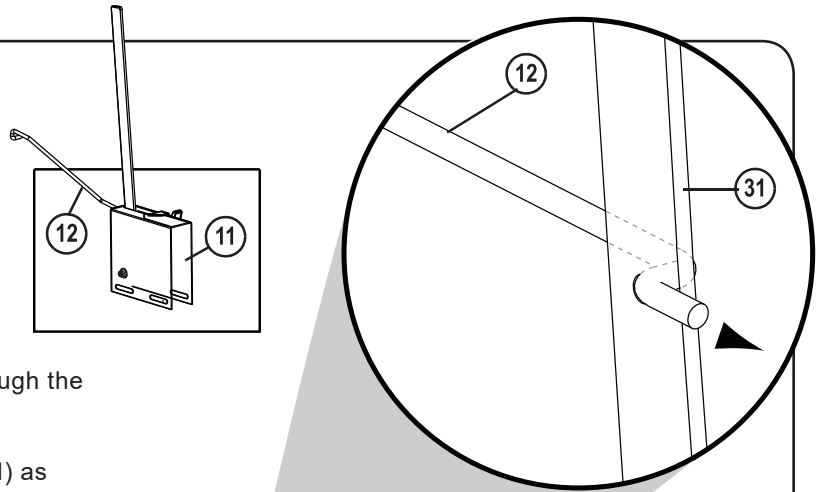
- 9a. Insert Stop Handle (31) through the slot opening at the top of the Gauge Plate (11).
- 9b. Insert the 'S' shaped end of Link Rod (12) through the upper hole of the Flow Control Handle (31).
- 9c. Assemble Flow Control (31) to Gauge Plate (11) as shown, using hardware provided:

- One 5/16" x -2-3/4" Hex Bolt (36)
- Two 5/16" Flat Washers (32)
- One Latch Spacer (35)
- Two Special Washers (33)
- One Spring (34)
- One 5/16" Hex Nut (15)

NOTE: See graphic inset below for hardware orientation.

Gate and handle movement can be adjusted by tightening/loosening bolt (36).

- 9d. Attach Handle Stop (30) and Knob (29) as shown, using hardware provided:
- One 5/16" x 3/4" Carriage Bolt (41)
 - One Curved Washer (39).

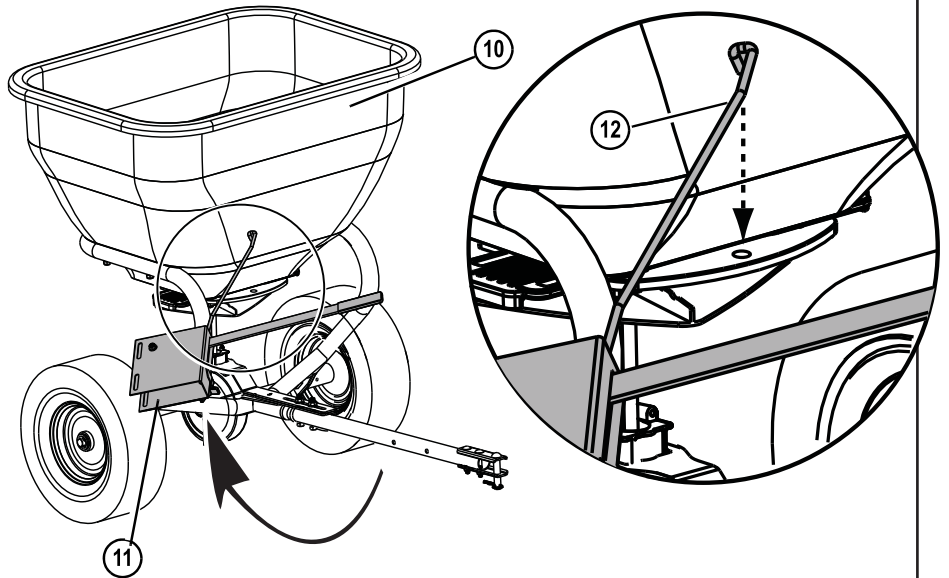


ASSEMBLY

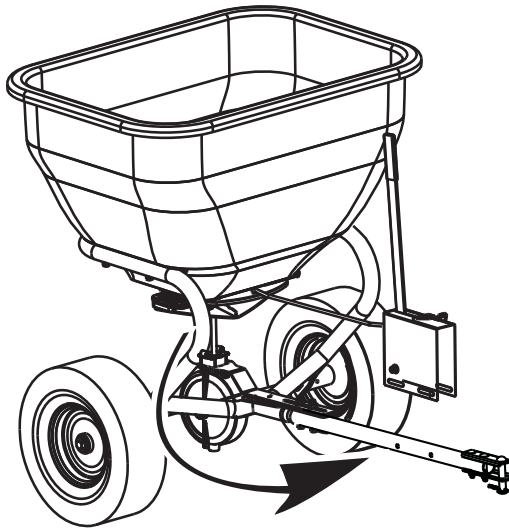
Figure 10a

ATTACH GAUGE PLATE TO SPREADER

10a. Rotate assembled Gauge Plate (11) approximately 90° clockwise and insert formed end of the Link Rod (12) in the hole provide on the Hopper (10) control plate, as shown.



10b. Rotate Gauge Plate counter-clockwise until the handle is oriented upward and the bottom of the Gauge Plate is over the Tow Tube (28).



ASSEMBLY

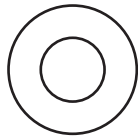
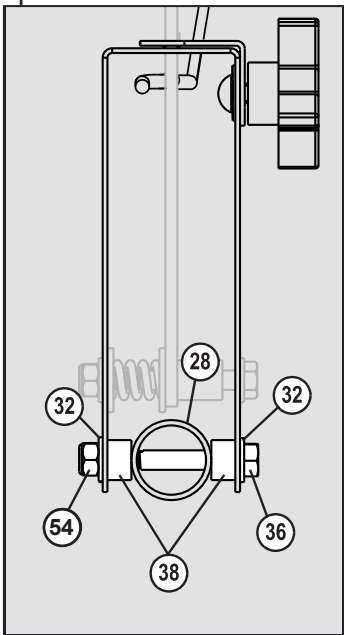
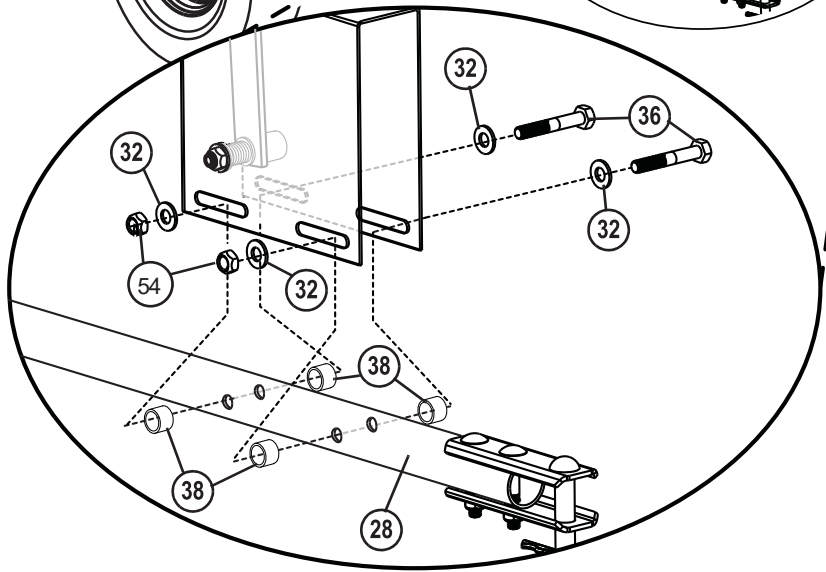
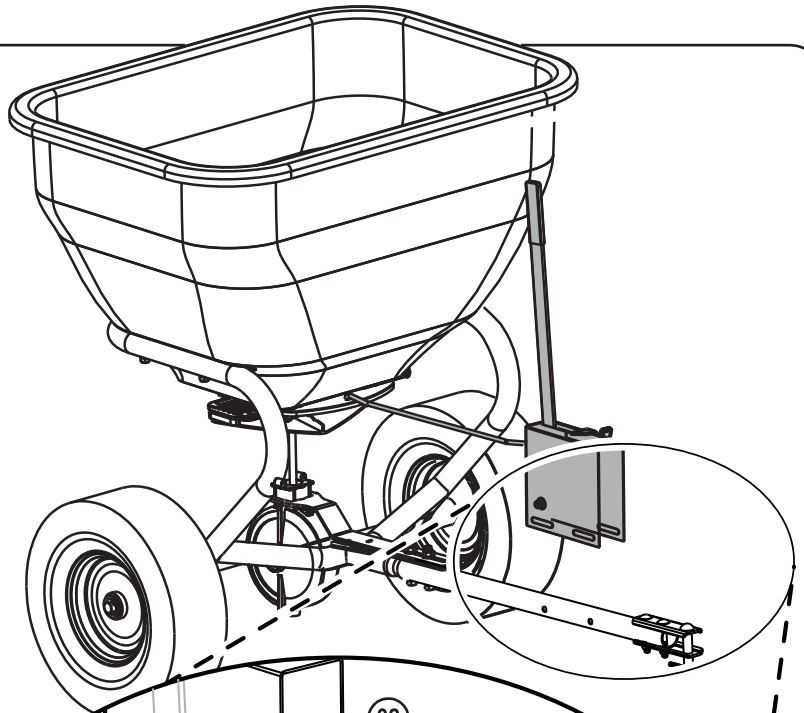
Figure 10b

ATTACH GAUGE PLATE TO SPREADER

10c. Attach Gauge Plate to the Tow Tube (28) as shown, using hardware provided: Do not tighten the hex nuts until after calibrating the Gauge Plate.

- Two 5/16"x2-3/4" Hex Bolt (36)
- Four 5/16" Flat Washers (32)
- Four Pivot Bushings (38)
- Two 5/16" Hex Lock Nuts (54)

NOTE: See graphic inset below for hardware orientation.



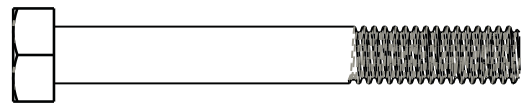
32
Washer, 5/16"
Qty. 4



38
Bushing, Pivot
Qty. 4



54
Hex Lock Nut 5/16"
Qty. 2



36
5/16" x 2-3/4" Hex Bolt
Qty. 2

ASSEMBLY

Figure 11

11a. Arrange Handle Extension items (57) and (58) as needed to reach the handle from mower's driver seat.

11b. Secure with carriage bolt (59), flat washer (60), and lock nut (5).

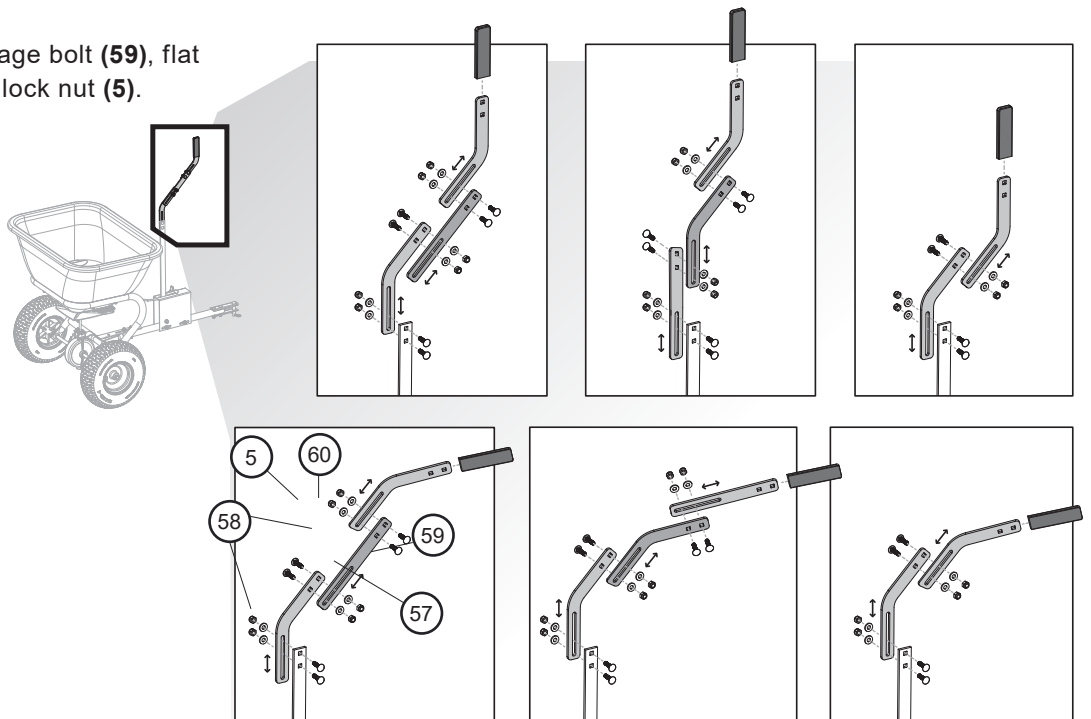
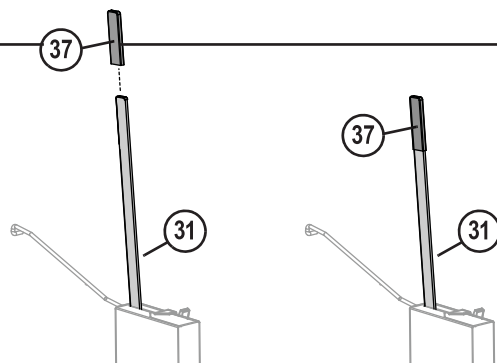


Figure 12

12a. Slide Flat Grip (37) on end of the Flow control Handle (31) or handle extension if included.



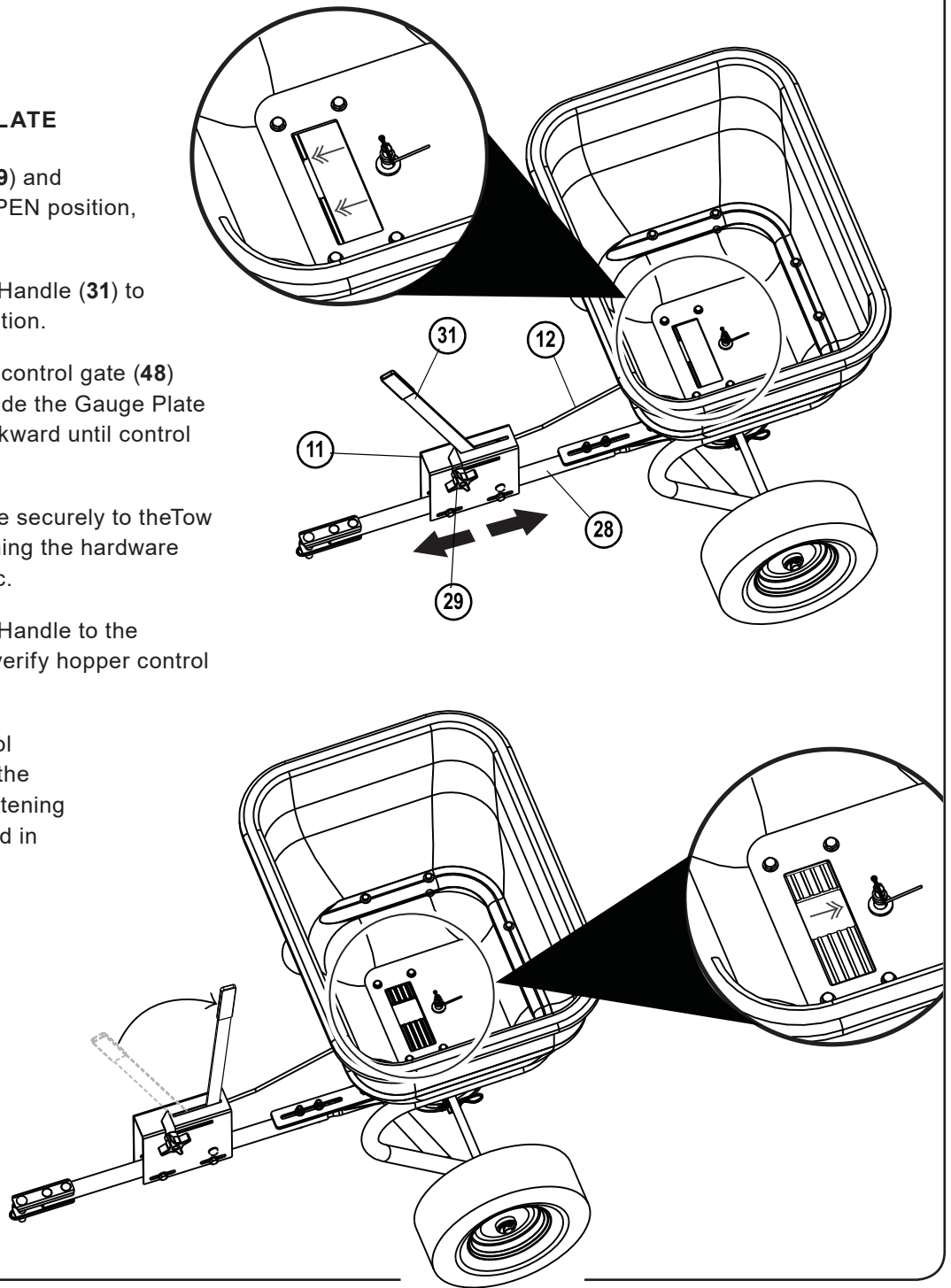
ASSEMBLY

Figure 13

CALIBRATE GAUGE PLATE

- 13a. Loosen the knob (29) and move to the #10, OPEN position, retighten.
- 13b. Move Flow Control Handle (31) to the #10, OPEN position.
- 13c. Ensure that hopper control gate (48) opens fully, if not slide the Gauge Plate (11) forward or backward until control gate is fully open.
- 13d. Tighten Gauge Plate securely to the Tow Tube (28) by tightening the hardware installed in Step 10c.
- 13e. Move Flow Control Handle to the CLOSED position, verify hopper control gate fully closes.
- 13f. Tighten Flow Control Handle securely to the Gauge Plate by tightening hardware assembled in Step 9c.

Your broadcast spreader is now ready for operation.

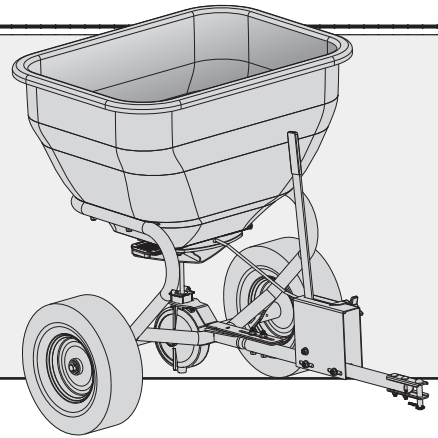


Assembly is Complete!

USE AND CARE

MODELS:

BS26BH BS36BH
BS26BH-A BS36BH-A
BS261BH-A BS361BH-A



SPECIFICATIONS

DIMENSIONS

BS26BH, BS26BH-A, & BS261BH-A

Size (maximum tow weight) 56.7 kg (125lbs)

Capacity 0.07 cu m (2.5 cu ft)

BS36BH, BS36BH-A, & BS361BH-A

Size (maximum tow weight) 79 kg (175lbs)

Capacity 0.10 cu m (3.5 cu ft)

TIRES

Size 13 x 5

Inflation Pressure 20 psi

Tire pressure may be reduced to increase wheel traction or to reduce shock, although it should not be reduced to below 70% of the maximum rated pressure.

OPERATING SPEED

The fan speed and the spread width are controlled by the speed of the vehicle.

The recommended operating speed is slightly faster than that of a brisk walk, approximately 3 MPH (equal to the vehicle traveling 40 ft. in 9 seconds).



OPERATING FLOW CONTROL GATE

The Gauge Plate Assembly operates the Flow Control Gate.

The Gauge Plate is marked from 0 (closed) to 10 (fully open). The position selected determines the amount of material to be broadcast. The higher the number, the heavier the application of material. Flow Control settings for many of the common fertilizers, insecticides, and grass seeds are provided in Table 1.

If the material is not listed in Table 1, then use the calibration table found on the decal provided on the hopper. After determining the correct setting number for your material, move the Flow Control Handle to that position.

Lock the handle in place by moving the Handle Stop to that position and tighten knob.

OPERATING TIPS

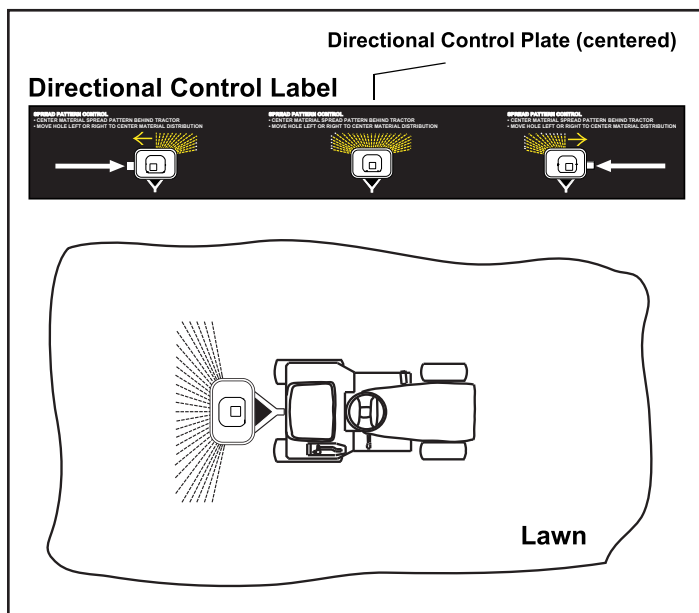
- Do not load the hopper with more than the maximum weight capacity of 175 pounds.
- Break up any lumps as you fill the Hopper.
- Do not use on windy days, especially when spreading fine grass seed or herbicides.

OPERATION

Directional Control NORMAL OPERATION

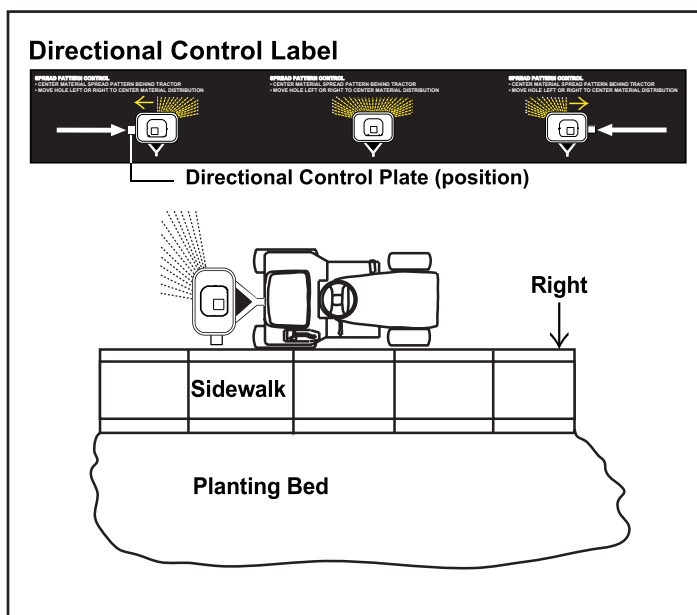
Fertilizers, Insecticides, & Grass Seed each have different particle size and weight. This can be referred to as particle density. As the particles are impacted by the fan, the distribution can be centered or slightly off center depending on particle density and forward vehicle speed.

Adjustment can be made by moving the Direction Control Handle to the RIGHT or LEFT. The directional decal located below the Directional Control Plate handle will aid you in adjusting the spread pattern. For most applications the handle should be placed close to the center position described by the label below. If the material is coming out right or left during operation, adjustment of this lever should be made to center the material distribution pattern behind the vehicle. Your broadcast spreader has a patented feature to allow you to adjust for centering.



Directional Control ONE SIDE ONLY SPREADING

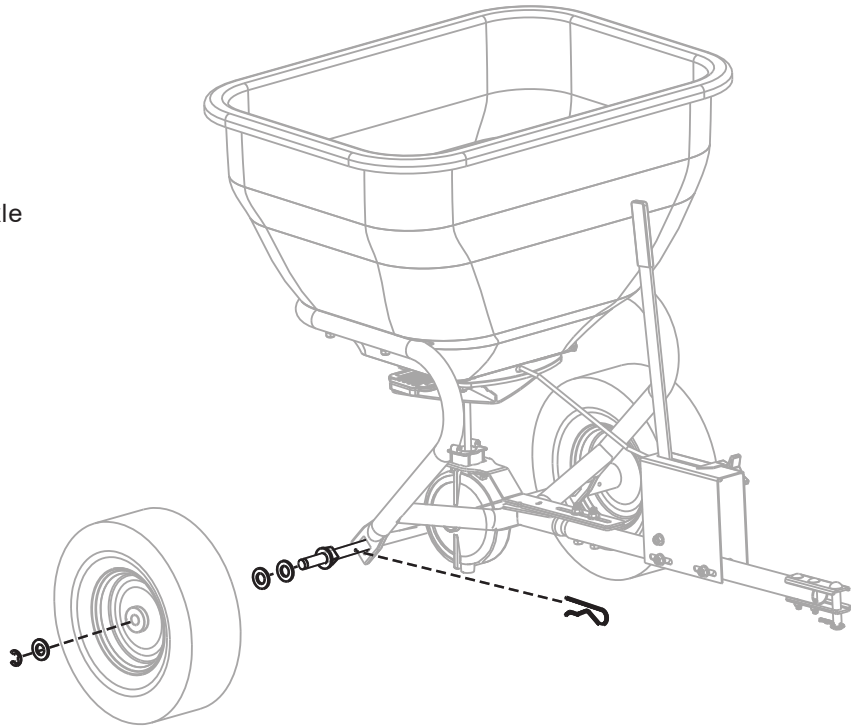
The directional control plate can be used for adjusting the material spread pattern when spreading near sidewalks, planting beds, etc. Slide the directional control plate to the desired position to control material flow for the spreader. The hopper decal illustrates the direction control coverage. The directional control plate only operates with 90% shut-off of material to the right side or left side of the vehicle as shown in the illustration below.



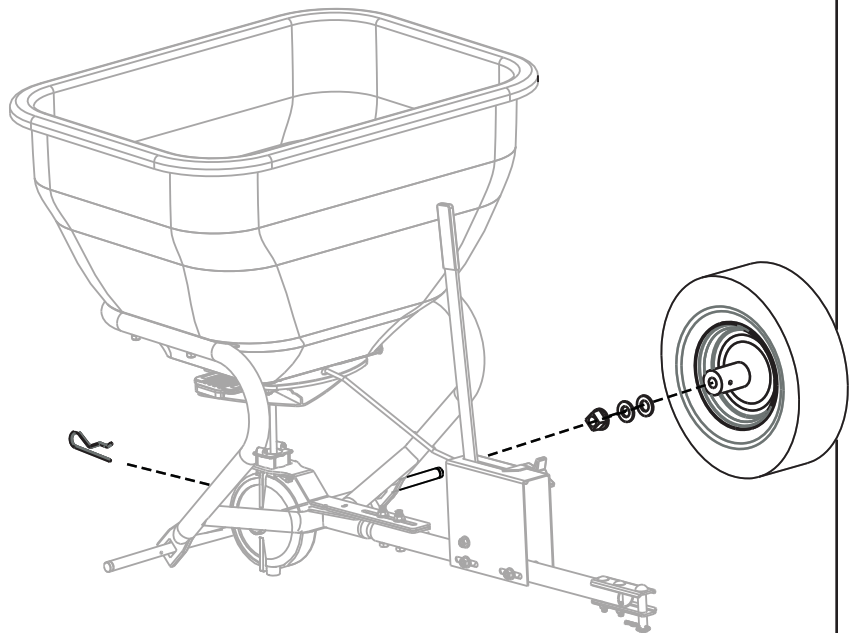
ANNUAL MAINTENANCE

Figure 14

1. Remove Wheels
2. Clean Parts
3. Lubricate bearings and axle lightly.



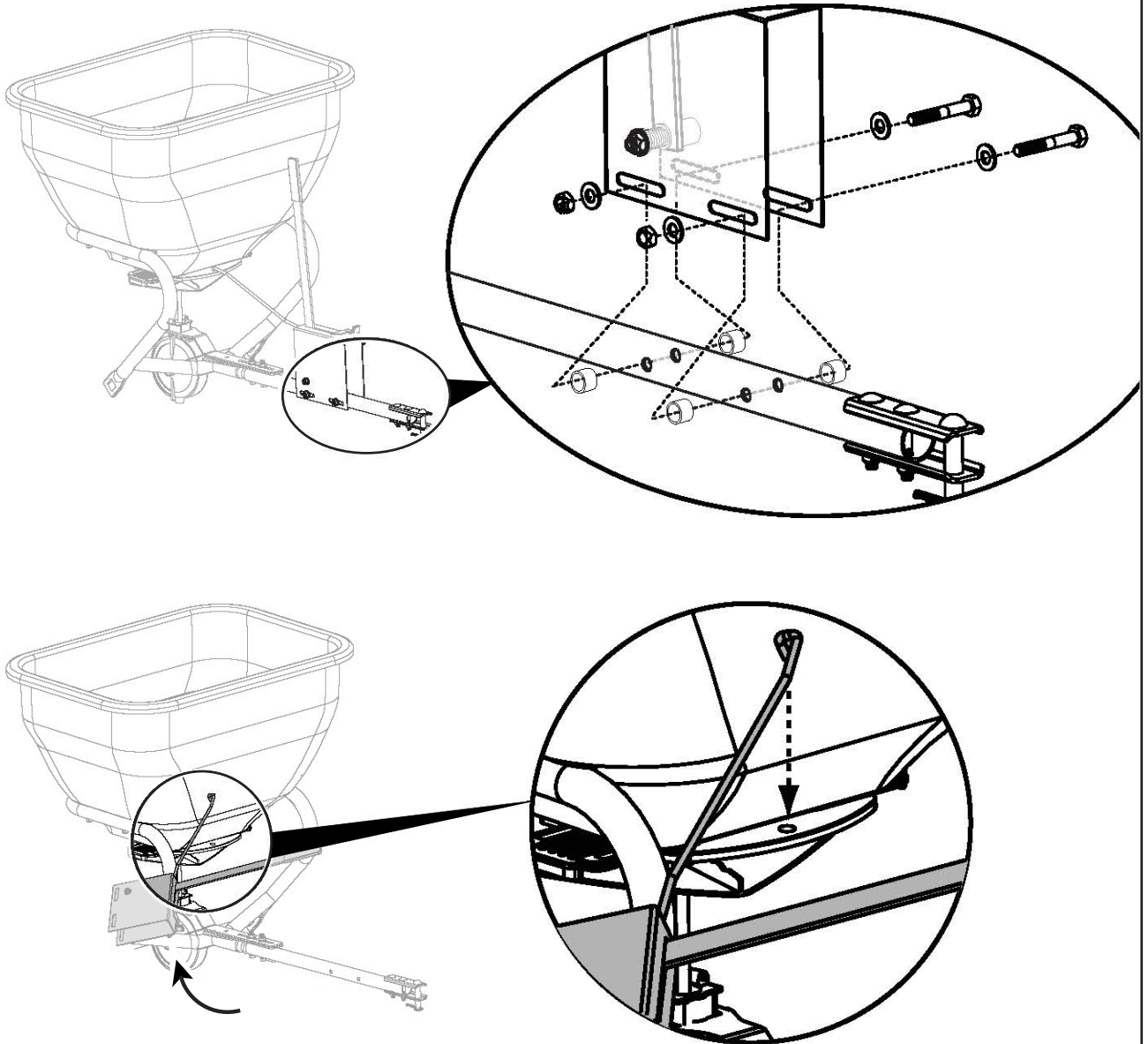
4. Remove cotter from transmission housing
5. Remove axle



ANNUAL MAINTENANCE

Figure 15

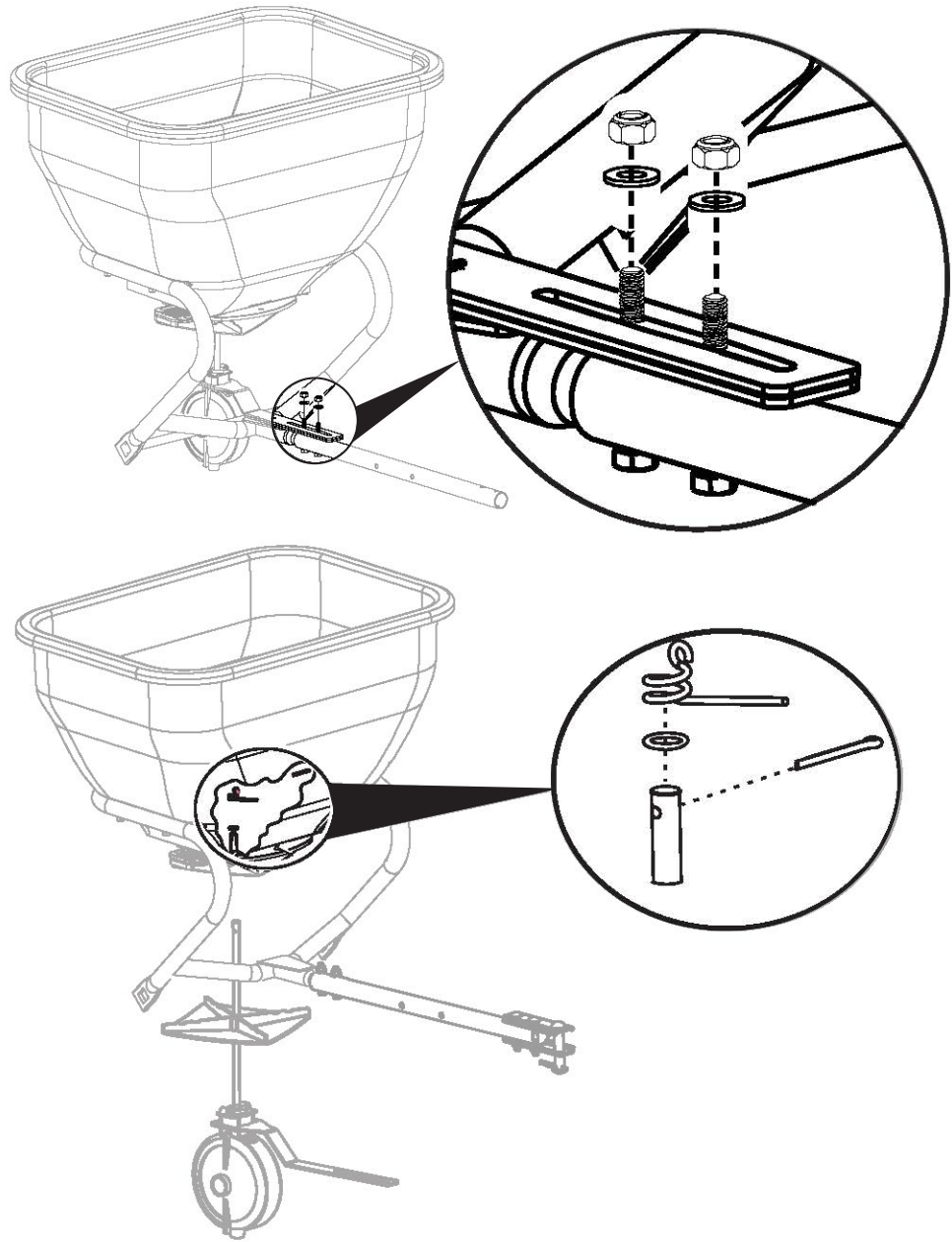
6. Remove Gauge Plate.



ANNUAL MAINTENANCE

Figure 16

7. Remove transmission bracket.
8. Remove Transmission.
9. Clean Fan.



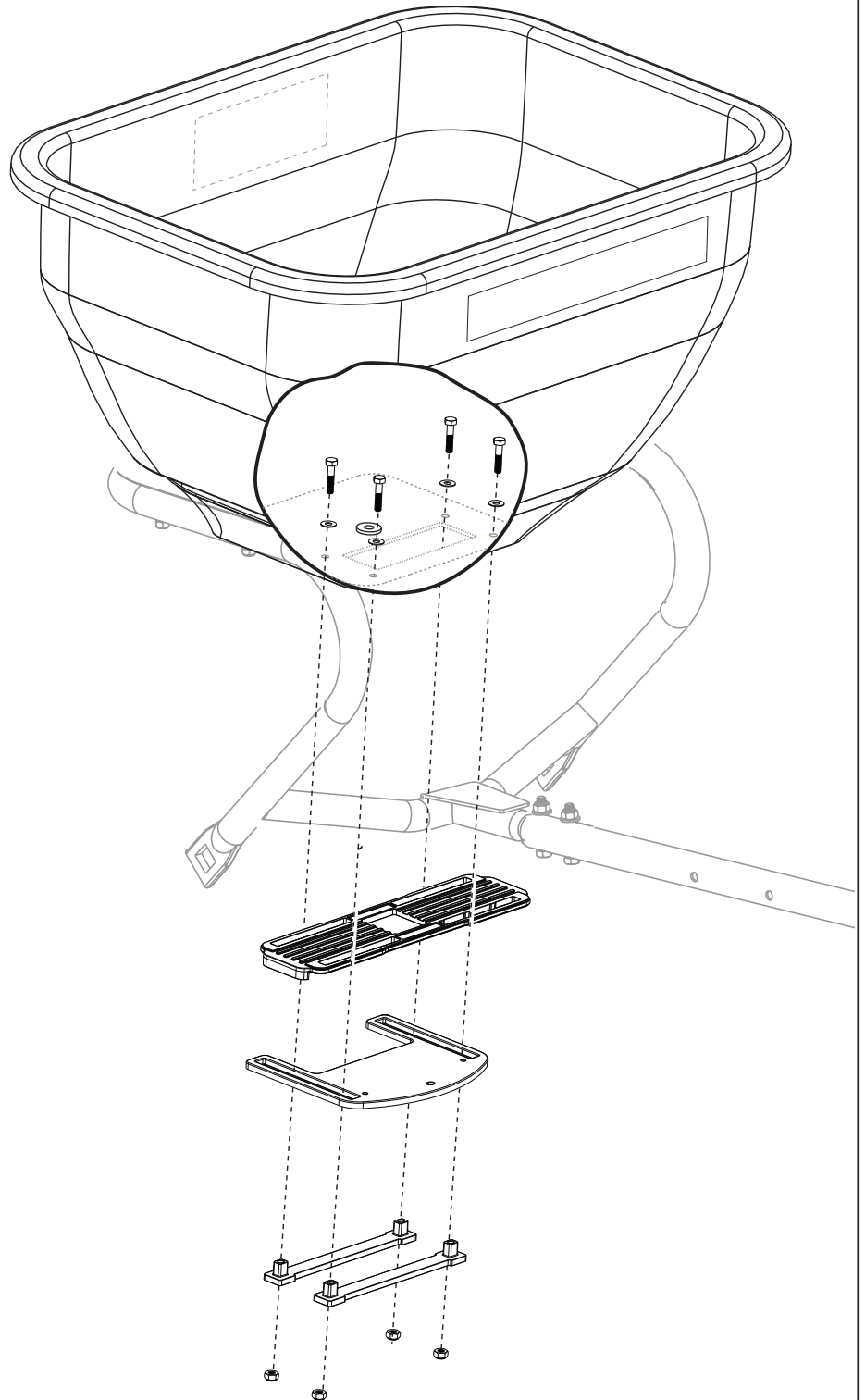
ANNUAL MAINTENANCE

Figure 17

10. Remove the 4 bolts that hold the Gate and Directional Control Plate.
11. Separate parts, as shown.
12. Clean parts thoroughly with soap and water.

NOTE: Gate and directional control plate movement can be adjusted by tightening/loosening the 4 bolts.

Periodically check bolts for tightness.



MEDIA FLOW SETTINGS

FLOW SETTINGS

Some products may not be available in all areas.

The Table 1 is a list of flow control settings for specific products available for use with the spreader.

Flow control settings are based on 3mph forward speed.

CAUTION: AVOID INJURY! Chemicals can be dangerous. Avoid injury to operator or bystanders:



- Read chemical container label for mixing and handling instructions. A Material Safety Data Sheet (MSDS) should be supplied by the chemical dealer and provides proper safety information.
- Wear proper clothing and safety equipment while handling or applying spray chemicals.
- Wear a full covering of clothing, protective goggles and rubber gloves.
- Prohibit all smoking, drinking, and eating around chemicals.
- When filling tank, never allow end of water hose to contact

Table 1: Flow Control Settings for Specific Fertilizer's, Insecticides, Grass Seeds

lbs/1000 sq. ft.	Flow Control Setting	Media
10	3	All American All Purpose Fertilizer 10-10-10.
3.8	2.5	Bayer Season Long Grub Control
2.9	2	Bayer Season Long Grub Control
3	2	Bayer Complete Insect Killer
2	1.5	Bayer Complete Insect Killer
3	1.5	Bayer Power Force Multi-Insect Killer
2	1	Bayer Power Force Multi-Insect Killer
3	1.5	Bayer Grub Control
2	1.5	Bayer Grub Control
3.2	2	Bayer Lawn Fertilizer Plus Weed Control II 30-3-4
3.8	2	Bayer Season Long Grub Control
2.9	1.5	Bayer Season Long Grub Control
3.6	2	Bayer Lawn Starter Fertilizer 20-27-5
3.2	2	Bayer Lawn Fertilizer Plus Crabgrass Preventer 30-3-4
3	2	Eliminator Ant, Flea, and Tick Killer Granules
2.5	1.5	Eliminator Ant, Flea, and Tick Killer Granules
2	1.5	Eliminator Ant, Flea, and Tick Killer Granules
2	2	Eliminator 5% Diazinon Insect Killer Granules
7	2.5	Howard Johnsons All-purpose Fertilizer 8-8-8
7	2.5	Howard Johnsons All-purpose Fertilizer 10-10-10
7	2.5	Howard Johnsons All-purpose Fertilizer 12-12-12-
5	2	Ironite 1-0-0
4	2	Klay Soft Pelletized Gypsum Soil Conditioner
3	1.5	Klay Soft Pelletized Gypsum Soil Conditioner
2	1.5	Klay Soft Pelletized Gypsum Soil Conditioner

MEDIA FLOW SETTINGS

Table 1: Flow Control Settings for Specific Fertilizer's, Insecticides, Grass Seeds (Cont'd)

lbs/1000 sq. ft.	Flow Control Setting	Media
4	2	Lesco Pre-M.86% Plus Fertilizer 25-0-7
4.2	2	Lesco Starter Fertilizer 18-24-12
4.2	2	Lesco Turf Fertilizer 24-2-11
4	2	Lesco Weed and Feed
8	3.5	Master Turf Ultimate Tall Fescue Blend
4	2.5	Master Turf Ultimate Tall Fescue Blend
8	3.5	Milogranite 6-2-0
16	5	Milogranite 6-2-0
3.2	2	Miracle-Gro Lawn Fertilizer plus Weed Control 28-3-3
3.6	2	Miracle-Gro Starter Lawn Fertilizer 20-27-5
3.1	1.5	Miracle-Gro Starter Lawn Fertilizer 29-3-4
9.6	3	Ortho Lawn Insect Killer Granules
4.8	2	Ortho Lawn Insect Killer Granules
2.4	1	Ortho Lawn Insect Killer Granules
1.2	1	Ortho Lawn Insect Killer Granules
4	2	Ortho Max Insect Killer for Lawns
2	1.5	Ortho Max Insect Killer for Lawns
1	1	Ortho Max Insect Killer for Lawns
10	3	Parkers Super Soilife Lawn & Garden Fertilizer 10-10-10
6.5	2	Parkers Super Soilife Lawn & Garden Fertilizer 16-4-8
3.6	2	Pennington Lawn Starter Fertilizer 18-24-6
10	4	Pennnigton Master Turf High Traffic Lawn Seed Mixture
5	3	Pennnigton Master Turf High Traffic Lawn Seed Mixture
8	4	Pennington Master Turf Shady Lawn Seed Mixture
4	3	Pennington Master Turf Shady Lawn Seed Mixture
10	4	Pennington Master Turf Sun & Shade Lawn Seed Mixture
5	3	Pennington Master Turf Sun & Shade Lawn Seed Mixture
2	1.5	Real-Kill Multi-Purpose Lawn and Garden Insect Killer
2.5	1.5	Real-Kill Multi-Purpose Lawn and Garden Insect Killer
10	4	Rebels Supreme Blend Grass Seed for Sun & Shade
5	3	Rebels Supreme Blend Grass Seed for Sun & Shade
10	4	Ringer Lawn Restore 10-2-6
12.3	4.5	Sam's Choice Crabgrass Preventer 30-3-4
8.1	3	Sam's Choice Crabgrass Preventer 30-3-4
6	3	Sam's Choice Crabgrass Preventer 30-3-4
5.4	2.5	Sam's Choice Crabgrass Preventer 30-3-4
3	1.5	Sam's Choice Insect Control Plus Fertilizer 28-4-6
3.2	2	Sam's Choice Lawn Food 29-3-4
6	3	Sam's Choice Starter Fertilizer 20-27-5
3.6	2	Sam's Choice Starter Fertilizer 20-27-5
4	3	Scotts Classic Grass Seed Fall Grass Seed Mix
2	2	Scotts Classic Grass Seed Fall Grass Seed Mix
2.3	1.5	Scotts Grubex

MEDIA FLOW SETTINGS

Table 1: Flow Control Settings for Specific Fertilizer's, Insecticides, Grass Seeds (Cont'd)

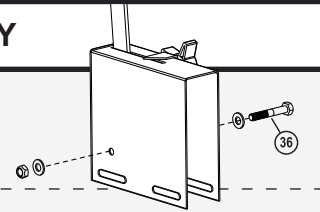
lbs/1000 sq. ft.	Flow Control Setting	Media
3.1	2	Scotts Grubex Season Long Grub Control
2.3	2	Scotts Grubex Season Long Grub Control
1.4	1.5	Scotts Lawn Fungus Control
2.7	2	Scotts Lawn Fungus Control
2.2	2	Scotts Pure Premium Kentucky Bluegrass Mix
1.1	1.5	Scotts Pure Premium Kentucky Bluegrass Mix
2.5	2	Scotts Pure Premium Sun & Shade Grass Seed Mixture
1.25	1.5	Scotts Pure Premium Sun & Shade Grass Seed Mixture
3.6	2	Scotts Starter Fertilizer 20-27-5
5.9	2	Scotts Starter Fertilizer 20-27-5
2.7	2	Scotts Turf Builder 28-3-8
3.1	1.5	Scotts Turf Builder Lawn Fertilizer 29-3-4
2.7	2	Scotts Turf Builder with Summer Guard
2.9	2	Scotts Turf Builder Plus Weed Control
3.3	1	Scotts Winterizer 22-4-1
4.6	2	Sevin Lawn Insect Granules
2.33	2	Sevin Lawn Insect Granules
2.25	2	Sevin Lawn Insect Granules
3	2	Spectracide Grub Stop
3	1	Spectracide Triazicide Insect Killer Granules
3.6	2	Sta-Green Lawn Fertilizer 29-2-5
2	1.5	Sta-Green Lawn Weed Control
3.2	2	Sta-Green 200 Plus Weed & Feed 28-3-3
3.6	2	Sta-Green Starter Fertilizer 18-24-10
3.2	2	Sta-Green Weed & Feed 28-2-4
10	4	Sun & Shade Grass Seed Mixture
5	3	Sun & Shade Grass Seed Mixture
3	1	Vigoro Insect Control Plus Fertilizer
3.6	2	Vigoro Starter Fertilizer
3.2	2	Vigoro Turf Fertilizer 29-3-4
3	1.5	Vigoro Ultra Truf Winterizer 22-3-14
3.2	2	Vigoro Weed and Feed
4	3	Wal Mart Gardens Kentucky Bluegrass Grass Seed
2	2	Wal Mart Gardens Kentucky Bluegrass Grass Seed
8	4	Wal Mart Gardens Kentucky 31 Tall Fescue
4	3	Wal Mart Gardens Kentucky 31 Tall Fescue
3.2	2	Wal Mart Weed & Feed 28-3-3

NOTE: If the product you are using is not listed in the flow control setting table, use the calibration guide located on the hopper decal of the spreader to set the flow control. Using application information on product package, find the calibration setting on the hopper decal and set flow control lever.

TROUBLESHOOTING

Table 2: Troubleshooting - Spreading Difficulties & Remedies

PROBLEM	CAUSE / CONDITION	REMEDY
Gate / Handle Movement During Operation	Handle mounting bolt (36) not tight enough.	Tighten bolt (36). <i>(Refer to figure 9, on pg 16).</i>
	Hopper-gate assembly bolts (45) not tight enough.	Tighten bolts (45). <i>(Refer to hopper exploded view on page 8 and figure 15 on pg 26).</i> * If bolts are too tight then the directional control plate (46) may be difficult to slide. Use 1/8 turns or less then test gate (47) and directional control plate movement.
Flow Control Handle Hard to Operate or Won't Move	Gate (49) and directional control plate (48) clogged with material.	Remove and clean the Gate and Directional Control Plate with soap and water. <i>(Refer to figure 12 through figure 15).</i>
Fan Does Not Turn When Towing Spreader	Drive hairpin cotter (22) not properly inserted through Wheel hub (9) hub and axle (6).	Install or replace missing hairpin cotter. <i>(Refer to figure 5).</i>
	Transmission cotter pin (40) missing or not properly inserted through transmission hub (21) hub and axle (6).	Install or replace missing cotter pin through transmission hub (21) hub and axle (6). <i>(Refer to figure 4).</i>
	Fan (25) hits the bottom of hopper gate (49) and directional control plate (48).	Adjust fan to clear hopper gate and directional control plate. <i>(Refer to figure 6, on pg 13).</i>
	Fan (25) slips on transmission shaft (21).	Install Fan Driver (24) so that the four fan gussets on the bottom of the fan compresses the fan driver.
	Transmission malfunction.	With the broadcast spreader attached to your machine lift the drive wheel and rotate. At the same time apply gentle pressure to the fan shaft. It should turn with each rotation of the wheel.
Too Much / Not Enough Material Dispensed	Gage Plate not calibrated.	Ensure Gage Plate is properly calibrated. <i>(Refer to figure 11, on pg 19).</i>



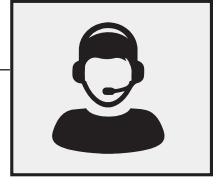
SERVICE

MAINTENANCE

The key to years of trouble-free service is to keep your Spreader clean and dry.

- Never allow material to remain in Hopper for extended periods of time.
- Should rust develop, sand lightly and then paint area with enamel.
- Periodically check all fasteners for tightness.
- Rinse/dry inside and outside of spreader after each use. Move Flow Control as you rinse to avoid build up of material.

SERVICE



QUALITY CONTINUES WITH QUALITY SERVICE

If you have installation questions, are missing parts or need replacement parts, don't go back to the store!

Please find your product serial number and model number, then contact our Customer Service department:



In North America and Canada call Toll-Free: **877-728-8224**



Chat online: **www.brinly.com**



Email: **customerservice@brinly.com**

ONLINE: BRINLY.COM

Additional info and videos are available on our website. Please visit the URL above OR scan one of these QR codes:

BS26BH
BS26BH-A



BS36BH
BS36BH-A



BS261BH-A



BS361BH-A



SERVICE

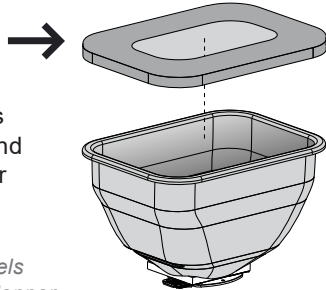
OPTIONAL ACCESSORIES

HOPPER COVER 1009191

Clear-top hopper cover with easy elastic on/off keeps moisture out and materials and Dust in - away from the driver and others.



** Some models include a Hopper Cover.*

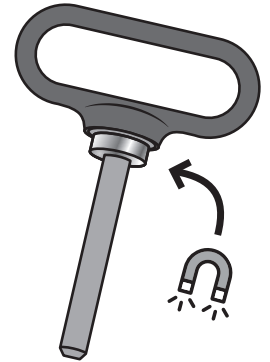


MAGNETIC HITCH PIN MHPK-12BH

This quick-connect magnetic hitch pin can replace a regular cotter pin for an extra-strong, convenient upgrade.



- Diameter: 1/2"
- Pin Length: 3"

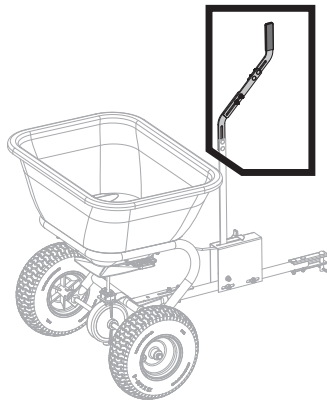


HANDLE EXTENSION KIT BS-HANDEXTBH

This adjustable extension kit allows for easy reach to the spreader handle from the seat of the attached lawn/garden tractor.



** Some models include a Handle Extension Kit.*



NOTE: Additional accessories are also available in our Parts Store online: shop.brinly.com



MANUFACTURER'S LIMITED WARRANTY
SPREADERS

The limited warranty set forth below is given by Brinly-Hardy Company with respect to new merchandise purchased and used in the United States (its possessions and territories) and Canada.

Brinly-Hardy Company warrants the products listed below against defects in material and workmanship, and will at its option, repair or replace, free of charge, any part found to be defective in materials or workmanship. This limited warranty shall only apply if this product has been assembled, operated, and maintained in accordance with the Operator's manual furnished with the product, and has not been subject to misuse, abuse, commercial use, neglect, accident, improper maintenance, alteration, vandalism, theft, fire, water, or damage because of other peril or natural disaster.

Parts found to be defective within the warranty period will be replaced at our expense. Our obligation under this warranty is expressly limited to the replacement or repair, at our option, of parts found to be defective in material and workmanship.

HOW TO OBTAIN SERVICE: Warranty parts replacements are available, only with proof of purchase, through our Customer Service Department. Call 877-728-8224.

This limited warranty does not provide coverage in the following cases:

- a. Routine maintenance items such as lubricants & filters.
- b. Normal deterioration of exterior finish due to use or exposure.
- c. Transportation and/or labor charges.
- d. The warranty does not include commercial and/or rental use.

No implied warranty, including any implied warranty of merchantability of fitness for a particular purpose, applies after the applicable period of express written warranty above as to the part as identified below. No other express warranty whether written or oral, except as mentioned above, given by any person or entity, including a dealer or retailer, with respect to any product, shall bind Brinly-Hardy Co. During the period of the warranty, the exclusive remedy is repair or replacement of the product as set forth above.

The provisions as set forth in this warranty provide the sole and exclusive remedy arising from the sale. Brinly-Hardy Co. shall not be liable for incidental or consequential loss or damage including, without limitation, expenses incurred for substitute or replacement lawn care services or for rental expenses to temporarily replace a warranted product.

Some states do not allow the exclusion or limitation of incidental or consequential damages, or limitations on how long an implied warranty lasts, so the above exclusions or limitations may not apply to you.

During the warranty period, the exclusive remedy is replacement of the part. In no event shall recovery of any kind be greater than the amount of the purchase price of the product sold. Alteration of safety features of the product shall void this warranty. You assume the risk and liability for loss, damage, or injury to you and your property and/or to others and their property arising out of the misuse or inability

to use this product. **NOTE:** *This limited warranty shall not extend to anyone other than the original purchaser or to the person for whom it was purchased as a gift.*

This limited warranty lasts as long you own your product purchased from an authorized seller. **Coverage terminates once you sell or otherwise transfer the product.**

This limited warranty does not cover any purchaser other than the original purchaser of the product, nor does it cover any product purchased from an unauthorized third-party. If you are not the original purchaser of this product, your product is not covered by our limited warranty and you take the product "AS IS" and "with all faults."

We may require proof of purchase from you demonstrating that you are the original purchaser of the product, purchased the product from an authorized dealer, and are eligible to make a valid claim under this limited warranty.

How state law relates to this warranty: This limited warranty gives you specific legal rights, and you may also have other rights which vary from state to state.

IMPORTANT:

The Warranty period stated below begins with the proof of purchase. Without the proof of purchase, the Warranty period begins from the date of manufacture determined by the serial number manufacturing date. All parts replaced under warranty will be considered as part of the original product, and any warranty on the replaced parts will expire coincident with the original product warranty.

WARRANTY PERIOD:

See applicable parts listed below.

Standard / Residential Use:

Steel Frame & Steel Parts	2 years
Hopper	2 years
Tires / Wheels	90 days
Drive: Gears	90 days

All other normal wear parts or component failures will be covered on this product for a period of 90 days.

If this equipment is being used in a commercial application and / or for multiple properties, the warranty is 90 days after purchase for all parts.