

# **VEVOR<sup>®</sup>**

**TOUGH TOOLS, HALF PRICE**

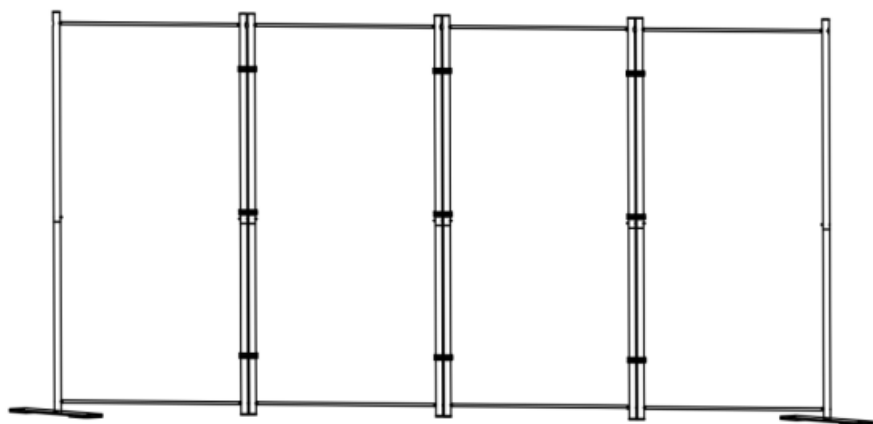
Technical Support and E-Warranty Certificate [www.vevor.com/support](http://www.vevor.com/support)

## **ROOM DIVIDERS INSTRUCTION MANUAL**

# VEVOR<sup>®</sup>

## *Room Dividers*

**Model:** LX802-3BL LX802-3GR LX802-3BG



### **NEED HELP? CONTACT US!**

Have product questions? Need technical support? Please feel free to contact us:



**[CustomerService@vevor.com](mailto:CustomerService@vevor.com)**

This is the original instruction, please read all manual instructions carefully before operating. VEVOR reserves a clear interpretation of our user manual. The appearance of the product shall be subject to the product you received. Please forgive us that we won't inform you again if there are any technology or software updates on our product.

# PRODUCT PARAMETERS

Model	LX802-3BL LX802-3GR LX802-3BG
Screen Number	4
Fabric Material	Polyester , 180g/m <sup>2</sup>
Product Size	2240*300*1710mm
N.W.	6.5kg




## **WARNING:**

Read this material before using this product. Failure to do so can result in serious injury. **SAVE THIS MANUAL**

## ASSEMBLY PRECAUTIONS














1. Assemble needs to follow these instructions. Incorrect assembly can be a hazard.
2. Wear safety goggles and heavy-duty work gloves during assembly.
3. Do not assemble when tired or when under the influence of alcohol, drugs or medication.
4. Weight capacity and other product capabilities apply to a properly and completely assembled product only.
5. Keep the assembly area clean and well-lit.
6. Keep bystanders out of the area during assembly.
7. Assemble on a flat, level, hard and smooth surface capable of safely supporting a fully loaded cooler cart.

# USE PRECAUTIONS

 **WARNING: TO PREVENT SERIOUS INJURY AND DEATH FROM TIPPING:**

1. This product is not a toy. Do not allow children to play with or approach this item.
2. Use as intended only. Do not sit or stand on the product.
3. Inspect before every use. Do not use it if parts are loose or damaged.
4. Use on flat, level, and hard surfaces only.

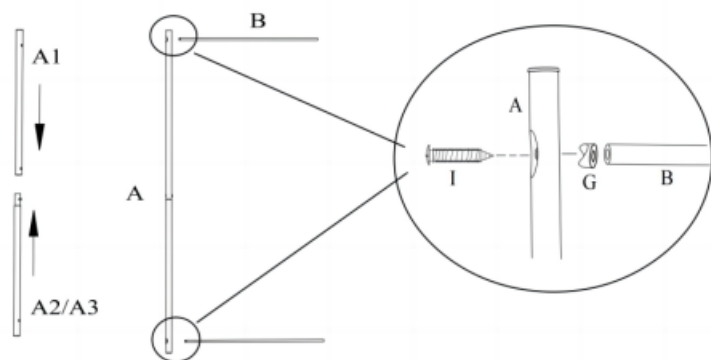
## PARTS LIST

A1		8PCS	F		12PCS
A2		6PCS	G		16PCS
A3		2PCS	H		2PCS
B		8PCS	I		16PCS
C		4PCS	J		4PCS
D		2PCS	K		1PC
E		4PCS			

# ASSEMBLY STEPS

Thanks for purchasing one of our products, please read the assembly steps carefully before installation (TIPS: Before use, it is recommended to iron curtains to reduce creases)

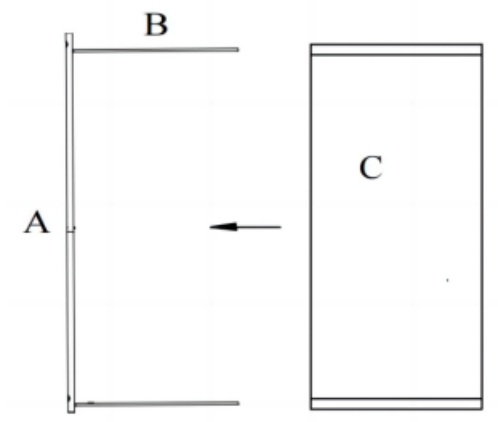
## STEP1



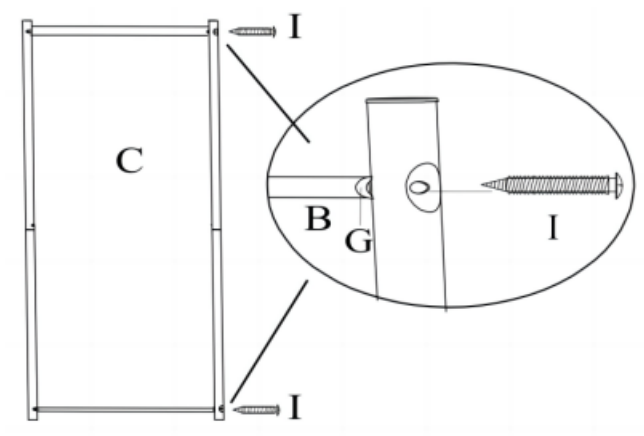
I x 2

G x 2

## STEP2



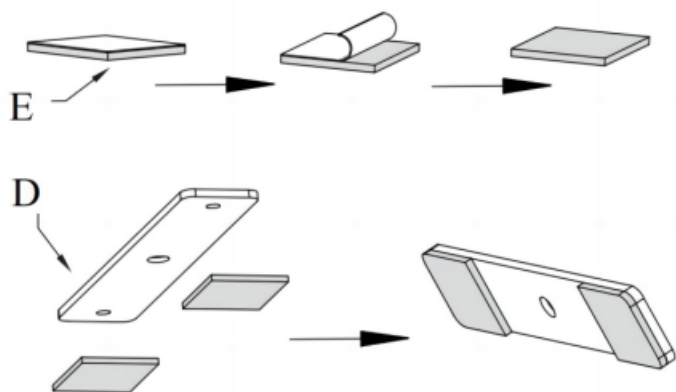
### STEP3



I x 2
-------

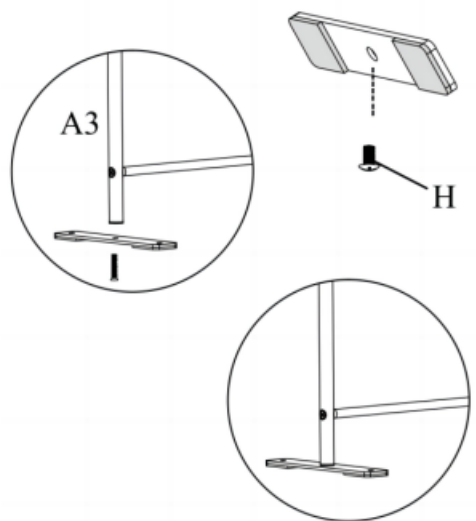
G x 2
-------

### STEP4



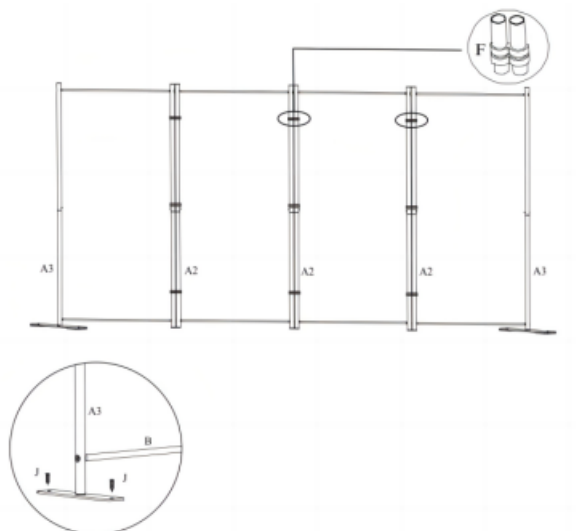
E x 2
-------

## STEP5



H x 2
-------

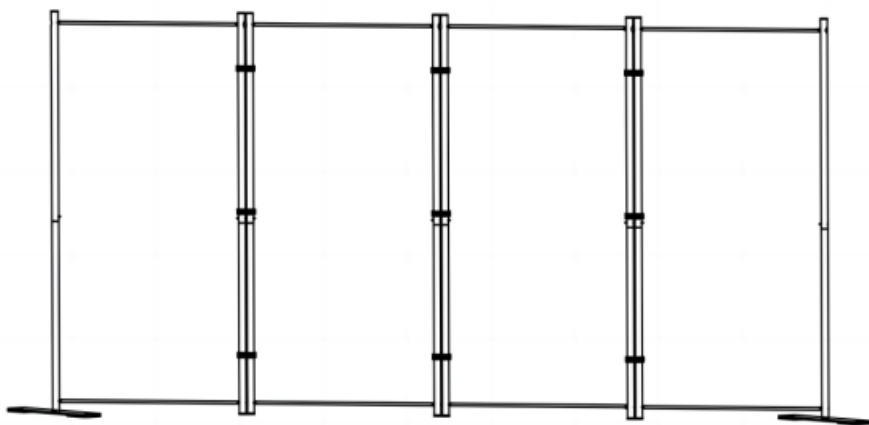
## STEP6



F x 12
--------

J x 4
-------

# COMPLETION



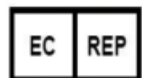


Importer: WAITCHX

Address: 250 bis boulevard Saint-Germain 75007 Paris

Importer: FREE MOOD LTD

Address: 2 Holywell Lane, London, England, EC2A 3ET



EUREP GmbH  
Unterlettenweg 1a, 85051 Ingolstadt,  
Germany



EUREP UK LTD  
UNIT 2264, 100 OCK STREET, ABINGDON  
OXFORDSHIRE ENGLAND OX14 5DH

Manufacturers: Linhai lixin leisure products co., ltd.

Address: Datian street, Linhai City, Zhejiang Province

Made in China

**VEVOR<sup>®</sup>**

**TOUGH TOOLS, HALF PRICE**

**Support and E-Warranty Certificate <https://www.vevor.com/support>**