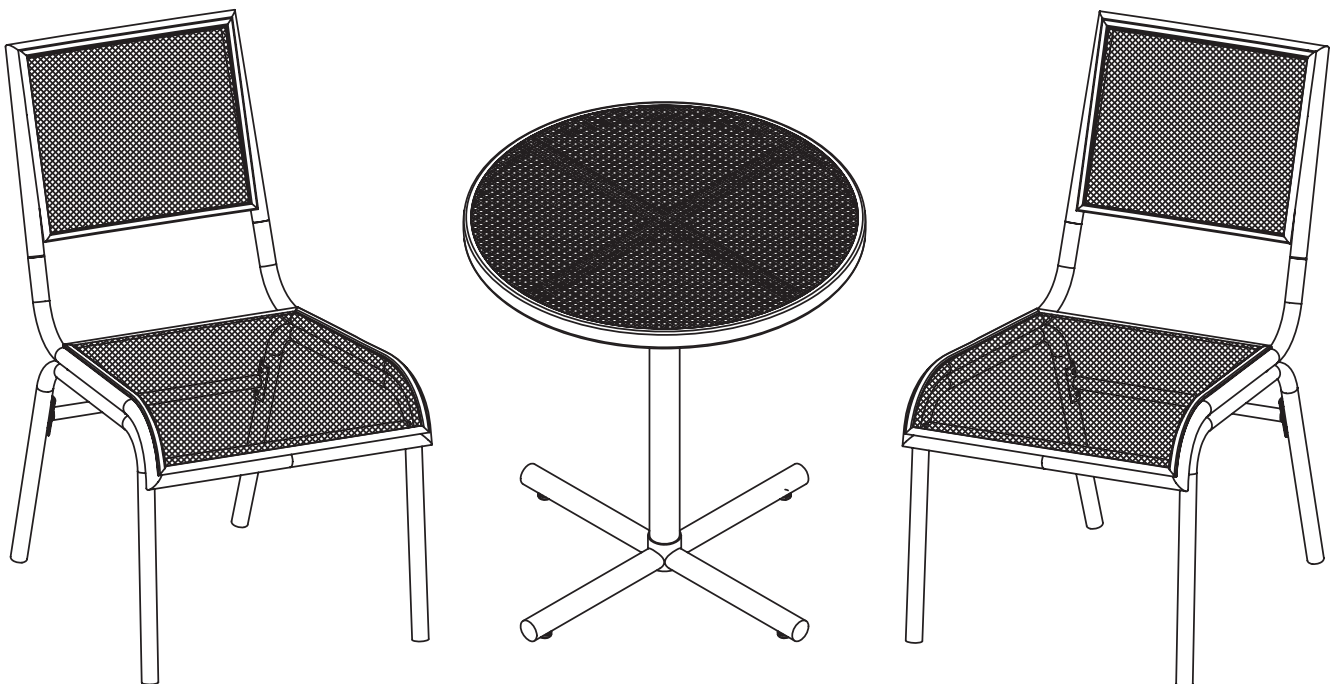


**Bixby 3 piece bistro set, green**  
**ASSEMBLY INSTRUCTIONS**  
**SM-K-153SET3G**

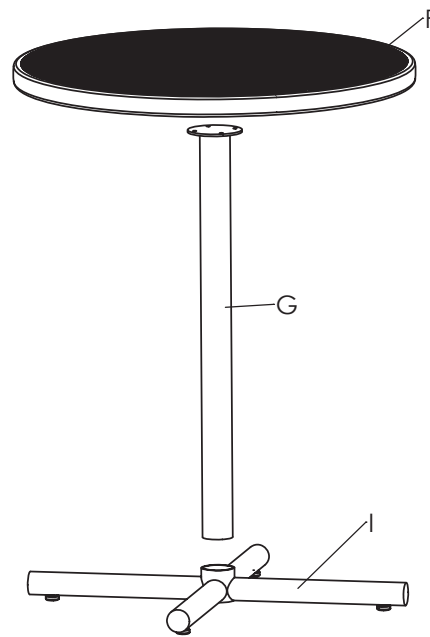
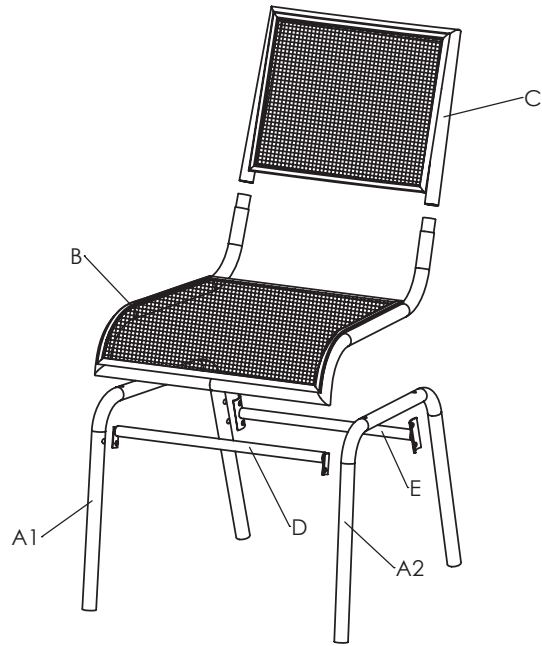


Questions, problems, missing parts with this product? Do not return to your retailer, please call our customer service department 9:00 a.m. to 5:00 p.m. Eastern Standard Time Monday through Friday Phone # 1-800-457-4652 or contact us at [www.numarkcustomerservice.com](http://www.numarkcustomerservice.com)



# Parts

A1	right chair leg	2
A2	left chair leg	2
B	seat	2
C	back	2
D	front crossbar	2
E	rear crossbar	1
F	table top	1
G	center post	1
I	metal table leg	1



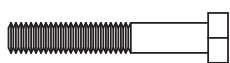
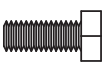
## Hardware

H1 x 20 + 1 spare  
Short bolt

H2 x 8 + 1 spare  
Long bolt

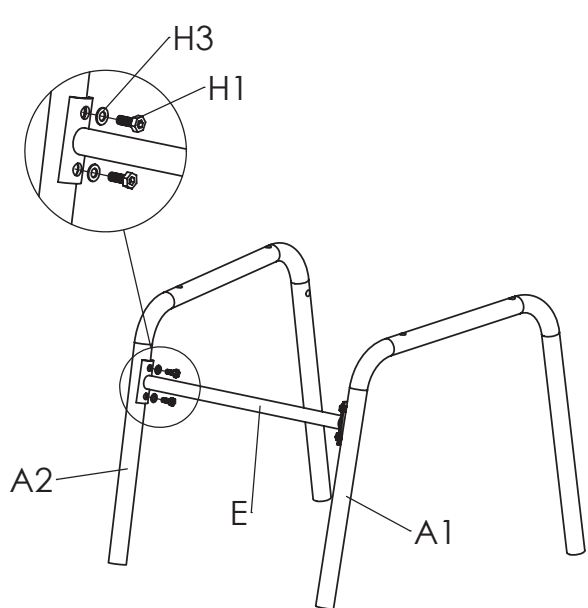
H3 x 28  
Metal washer

H4 x 1  
Allen wrench



# Assembly instruction

1



H1 x 4  
Short bolt

H3 x 4  
Metal washer

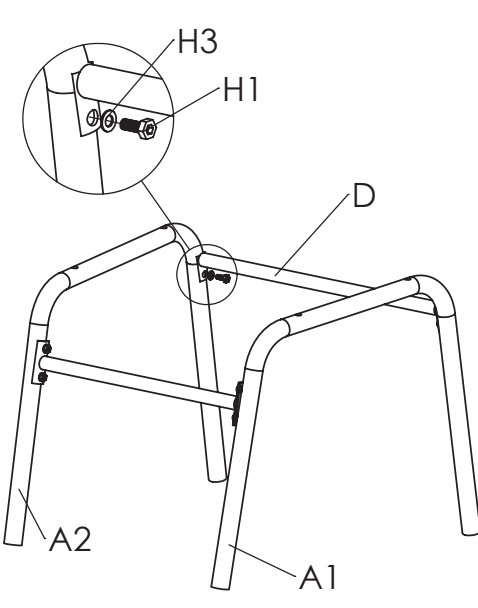
A2

E

A1

Do not tighten completely.  
Repeat procedure for the other side.

2



H1 x 2  
Short bolt

H3 x 2  
Metal washer

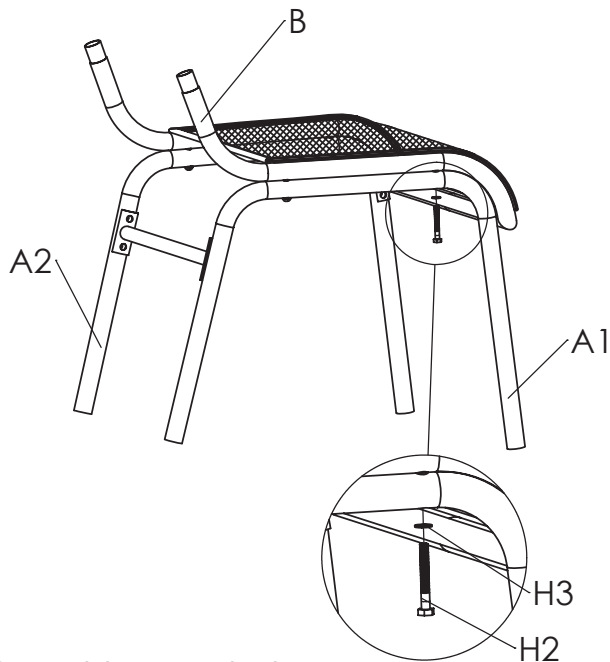
A2

D

A1

Do not tighten completely.  
Repeat procedure for the other side.

3



H2 x 4  
Long bolt

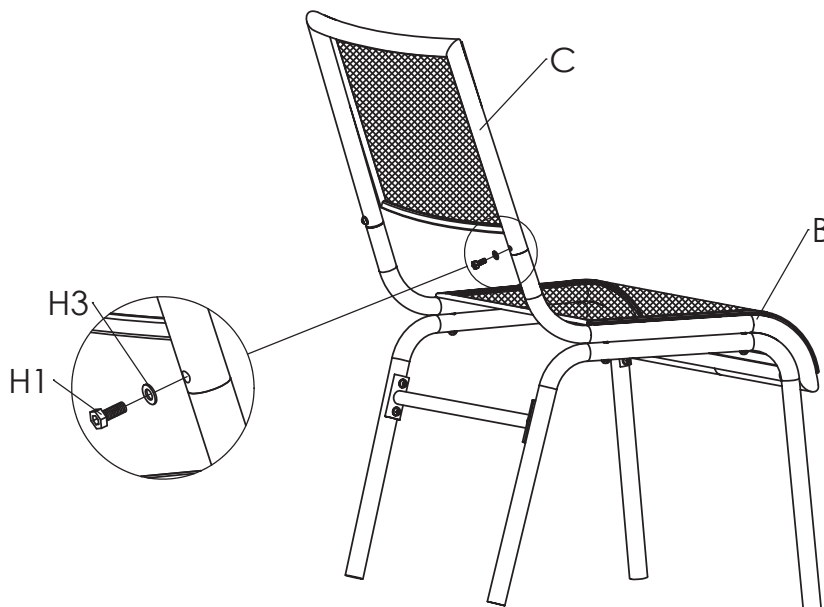


H3 x 4  
Metal washer



Do not tighten completely.  
Repeat procedure for the other three holes.

4



H1 x 2  
Short bolt

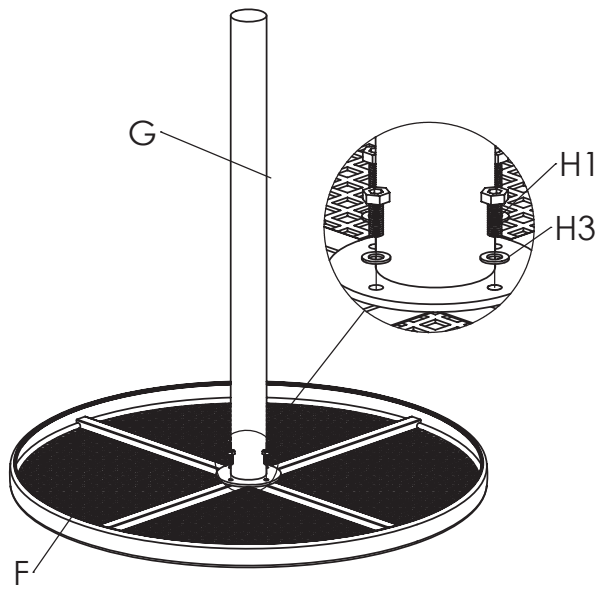


H3 x 2  
Metal washer



Once all bolts are in place, go back and tighten all bolts by using allen wrench (H4).  
Repeat procedure for the other chair.

5



H1 x 4  
Short bolt

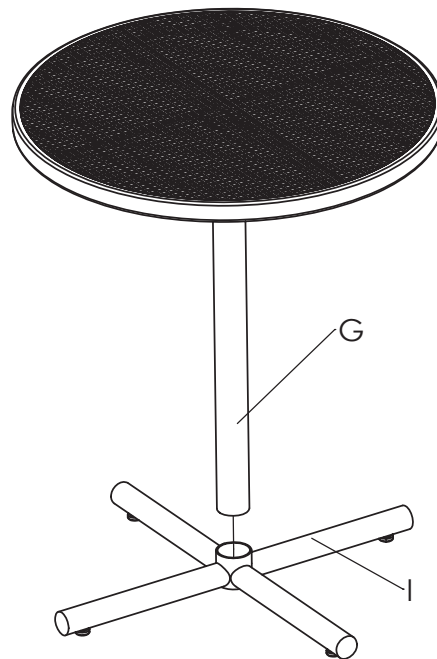


H3 x 4  
Metal washer



Do not tighten completely.

6



Once all bolts are in place, begin tightening bolts.  
Alternate from one side to the other, until all are tightened.