

6. How to install

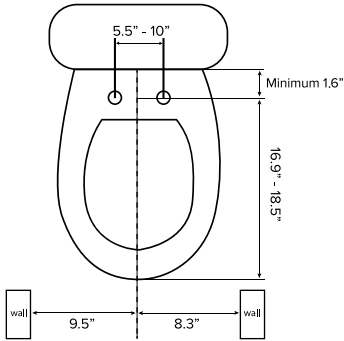


Do not plug in until installation is finished completely.
Not doing so may damage the appliance.

※ If electric work is needed, please contact a qualified electrician or serviceman only.

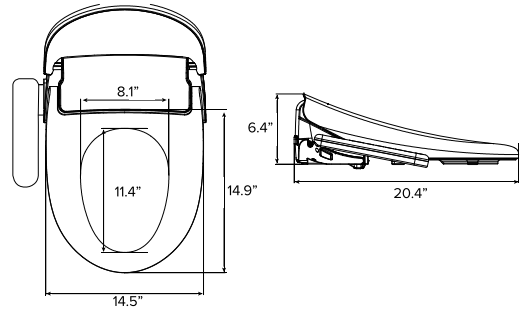
1 Toilet Size

The toilet dimensions must be within those shown below. Do not install this unit on a toilet that does not meet these dimensional requirements.



Bidet Dimensions

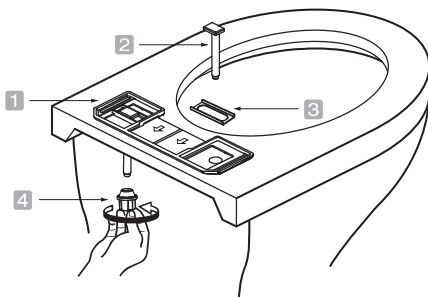
This model will fit both elongated and round toilets. There may be a slight overhang for certain round toilets.



2 Remove your existing toilet seat, lid, and accessories and store them away.

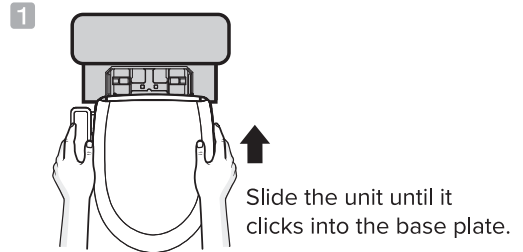
3 How to mount the base plate

Place the base plate and bolt cases over each toilet mounting hole. Insert the mounting bolts through the base plate and toilet mounting holes. Screw in the nuts onto the mounting bolts.



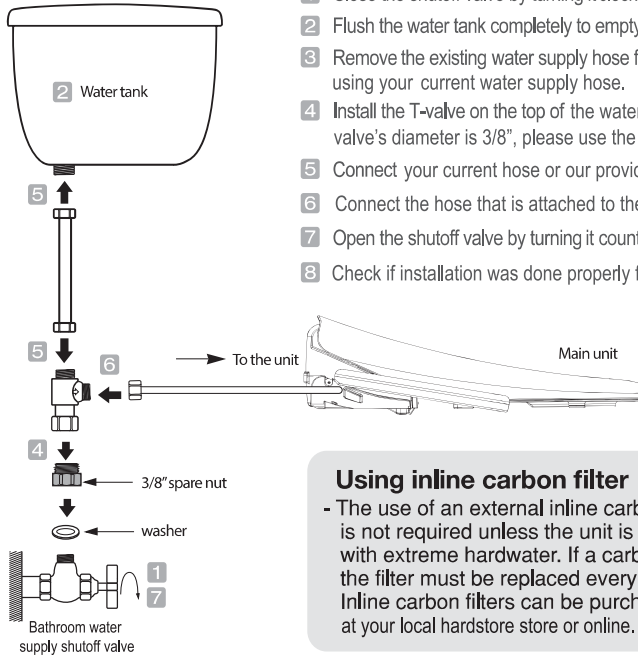
- 1 Base plate
- 2 Mounting bolt
- 3 Bolt case
- 4 Nut

4 How to attach and detach the unit



Keep pressing the button in the lower right of the unit and slide-out the unit forward.

Connecting the water hose



- 1 Close the shutoff valve by turning it clockwise.
- 2 Flush the water tank completely to empty.
- 3 Remove the existing water supply hose from the tank or you can continue using your current water supply hose.
- 4 Install the T-valve on the top of the water supply stop valve. If your water supply valve's diameter is 3/8", please use the 3/8" spare nut and washer.
- 5 Connect your current hose or our provided hose from the water tank to the t-valve.
- 6 Connect the hose that is attached to the main unit to the t-valve.
- 7 Open the shutoff valve by turning it counter clockwise.
- 8 Check if installation was done properly for any drips or leaks.

Using inline carbon filter

- The use of an external inline carbon water filter is not required unless the unit is used in an area with extreme hardwater. If a carbon filter is used, the filter must be replaced every 3 months. Inline carbon filters can be purchased from at your local hardware store or online.

※ Water supply valves diameter may vary depending on your bathroom. If supplied parts do not fit, please purchase at your local hardware store.

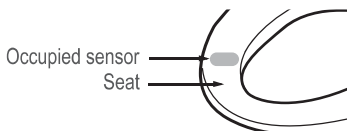
If a filter is used, it must be replaced every 3 months.

This product is designed and intended to exclusively use with HuliBidet water filters. The purchase or use of any other water filters is not the responsibility of HuliBidet. As such, any use of non HuliBidet water filters is prohibited and will void the warranty for those HuliBidet products. HuliBidet will not be responsible for any resulting damages nor claims related to the misuse or distribution of non HuliBidet water filters. HuliBidet is owned by Mungsube Enterprise Inc.

Trial operation

Occupied sensor

- This appliance is equipped with occupied sensor. Unit will not work unless seat is occupied.



Checking all functions

Use a bowl to cover the hole of the bidet seat to prevent water from spraying onto you then check all functions as described in this manual.