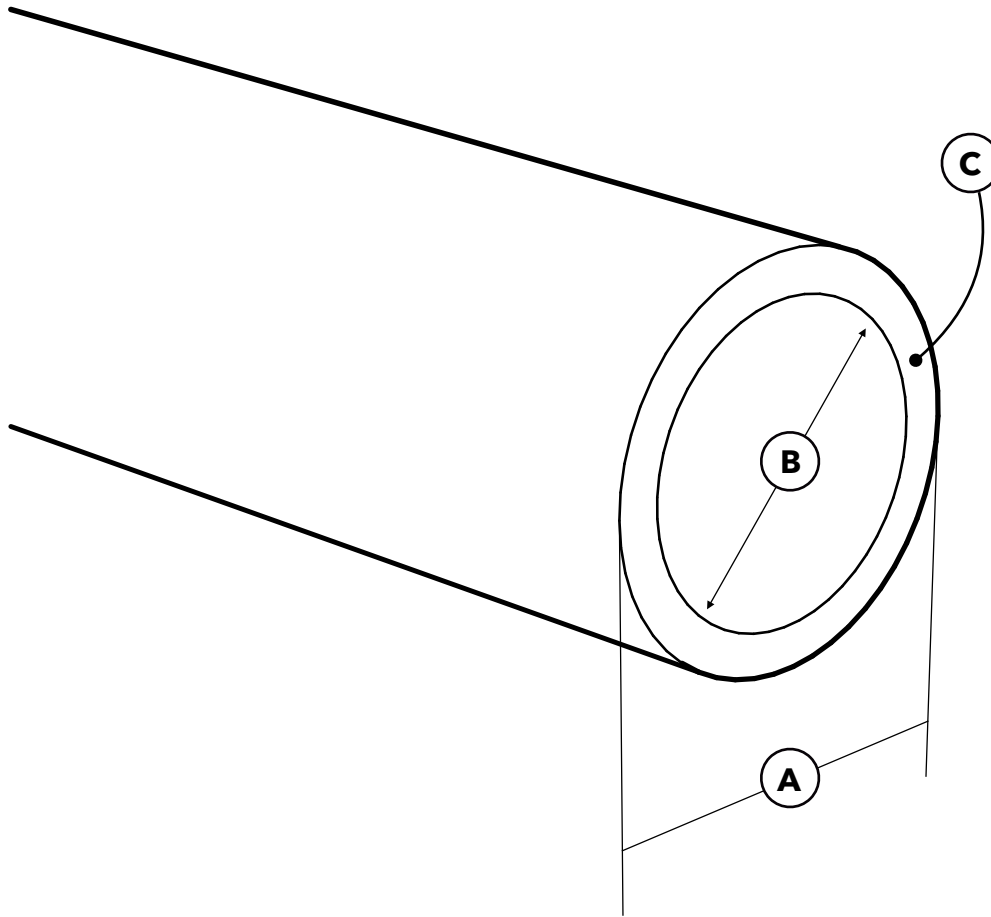


3/4" Schedule 40 PVC Pipe

SPECIFICATIONS

Product SKU: P034FGP



ID	Description	Dimension
A	Outside Diameter	1.050 in.
B	Avg. Inside Dia.	0.824 in.
C	Min. Wall Thickness	0.113 in.
	Weight	0.250 lb./ft.
	Schedule	40

NOTICE: All information within this Technical Specifications document is accurate at the time of document date. Product specifications and/or appearance may change.

