

USER'S MANUAL

Kids Electric Ride On Car TY327678

THIS INSTRUCTION BOOKLET CONTAINS **IMPORTANT** SAFETY INFORMATION. PLEASE READ AND KEEP FOR FUTURE REFERENCE.

Please give us a chance to make it right and do better!

Contact our friendly customer service department for help first.

Replacements for missing or damaged parts will be shipped ASAP!

Follow Costway

Visit us: www.costway.com



EN

DE

FR

ES

IT

PL

Contact Us!

Do NOT return this item.

Contact our friendly customer service department for help first.



Before You Start

Please read all instructions carefully and keep it for future reference.

Warnings:

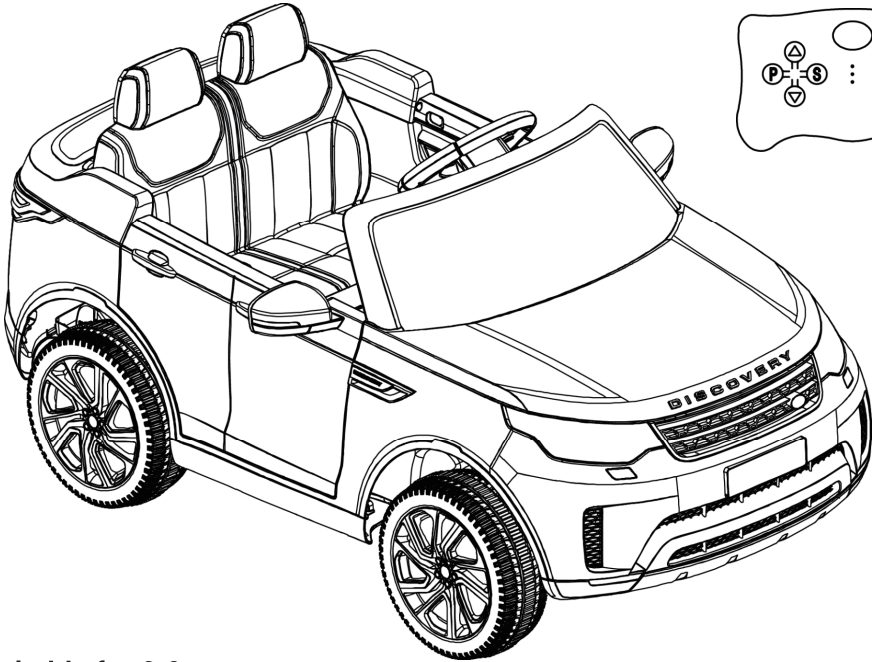
Attention! Use it with protective equipment.

Attention! Not use it in the traffic.

Attention! The product is not suitable for the children under 3 years.

General Warnings:

- △ The product must be installed and used under the supervision of an adult.
- △ Read through each step carefully and follow the proper order.
- △ Remove all packaging, separate and count all parts and hardware.
- △ Please ensure that all parts are correctly installed, incorrect installation can lead to a danger.
- △ We recommend that, where possible, all items are assembled near to the area in which they will be placed in use, to avoid moving the product unnecessarily once assembled.
- △ Ensure a secure surface during construction, and place the product always on a flat, steady and stable surface.
- △ Please use the product carefully, as the product requires great skill, avoid accidents by the user or others, by fall or collision.
- △ Please wear suitable protective equipment during use, e.g. protective helmet, gloves, knee pads, elbow pads etc.



- Suitable for 3-8 years
- Maximum user weight: 110 lbs.
- Adult assembly required

Please keep this manual for future reference as it contains important information.

Before first time use, charge the battery for at least 8-12 hours, no more than 20 hours.

Table of Contents

1. *About Your New Vehicle*
2. *Parts List*
3. *Parts Diagram*
4. *Assembly Steps*
5. *How To Operate Your Vehicle*
6. *Charging The Vehicle*
7. *Troubleshooting Guide*
8. *Maintaining Your Vehicle*
9. *Disposal Of Battery*

About Your New Vehicle

Thank you for purchasing our products, we want your child to enjoy this product for years to come. Keep these points in mind as you read this guide:

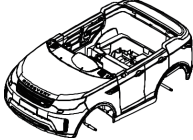
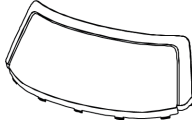

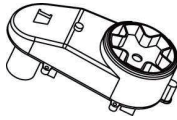

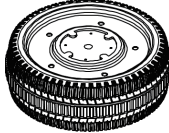
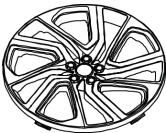
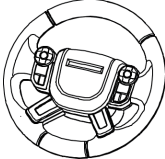
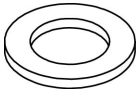

Suitable age:	3-8years	Battery:	12V/4.5Ah * 1
Load Capacity:	Under 110 lbs.	Size of car:	50" x 32.5" x 23.5"
Speed:	2.5-5Km/h	Carton size:	52" x 28" x 17"
Material:	PP	Optimum Temperature:	Below 40°C Avoid to use under burning sun
Charger:	Input: Shown on the charger	Charging time:	8-12 hours, at most 20 hours
	Output: DC12V	Fuse:	F7A, Self-resetting
	Current: DC 0.5A	Operating life:	12 months to 18 months

WARNING!

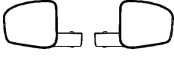


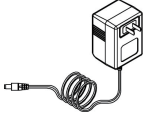
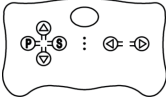

FOR THE SAFETY OF YOUR CHILD, PLEASE READ ALL WARNINGS AND ASSEMBLY/USE INSTRUCTIONS. KEEP THIS GUIDE FOR FUTURE REFERENCE.

- **ADULT ASSEMBLY REQUIRED.** The product contains small parts, which are for adult assembly only. Keep small children away when assembling.
- Always remove protective material and poly bags and dispose before assembly.

Parts List

PART NO	PART NAME	PICTURE	Qty (pcs)	REMARKS	PART NO	PART NAME	PICTURE	Qty (pcs)	REMARKS
1	Vehicle body		1		2	Windshield		1	
3	Seat		1		4	Gear box		2	Placed in vehicle body
5	Driving wheel		2		6	Wheel		2	
7	Wheel hub		4	Placed in the assembly package	8	Steering wheel		1	
9	M12 washer		6	Placed in the rear and front axle	10	M10 Nut		4	Placed in the rear and front axle

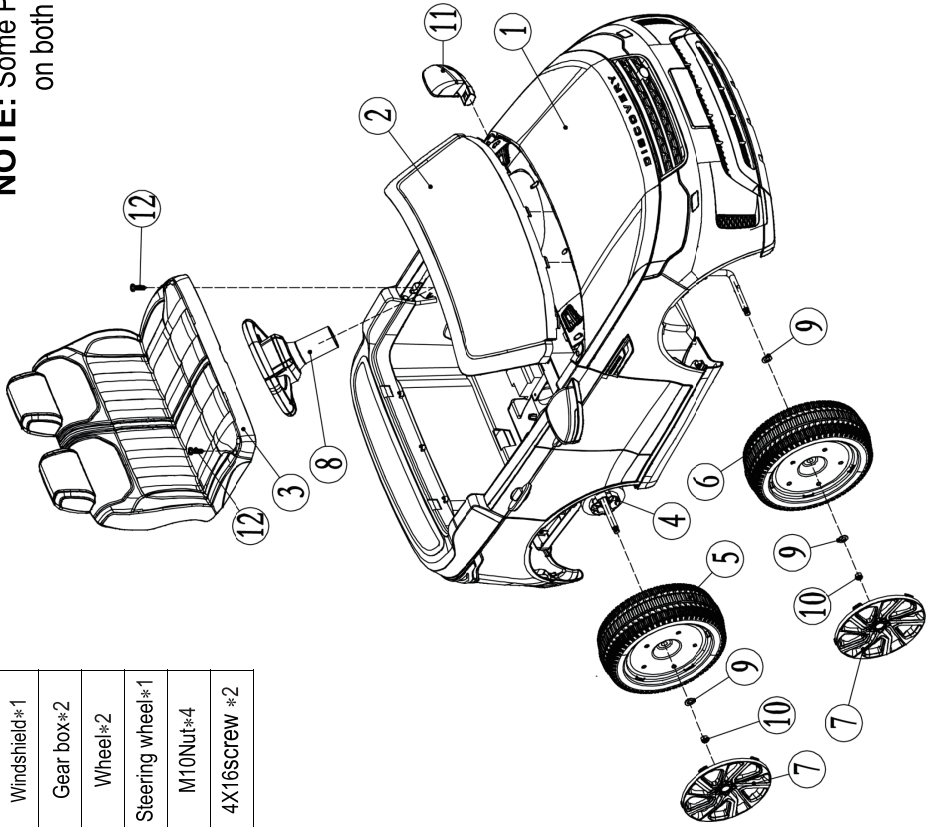
Parts List

Assembly package									
PART NO	PART NAME	PICTURE	Qty (pcs)	REMARKS	PART NO	PART NAME	PICTURE	Qty (pcs)	REMARKS
11	Rear view mirror		1 pair	Left & right	12	M4X16 screw		2	
13	Instruction manual		1		14	Charger		1	
15	Remote control		1	Not included AAA1.5V battery	16	Spanner		2	

Parts Diagram

NOTE: Some Parts Shown are assembled on both sides of vehicle

1	Vehicle body *1	2	Windshield*1
3	Seat*1	4	Gear box*2
5	Driving wheel*2	6	Wheel*2
7	Wheel hub*4	8	Steering wheel*1
9	M12 Washer*6	10	M10Nut*4
11	Rear view mirror*2	12	4X16SCREW *2



Tools Required



Screwdriver(not included)



Pliers(not included)



Hammer(not included)

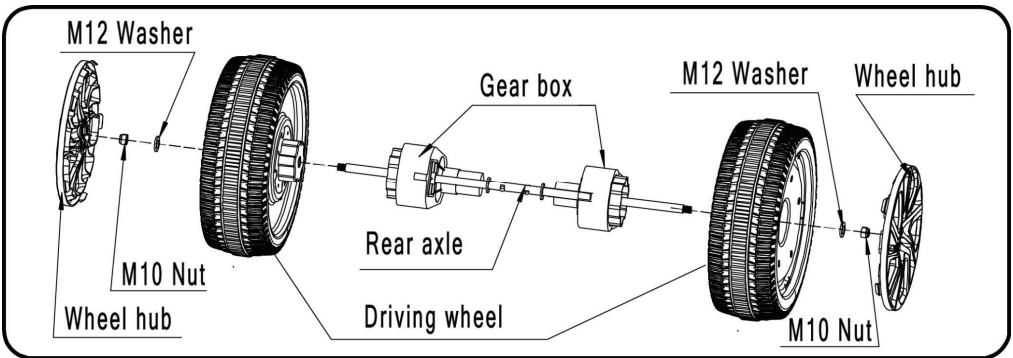


Spanner

Assembly Steps

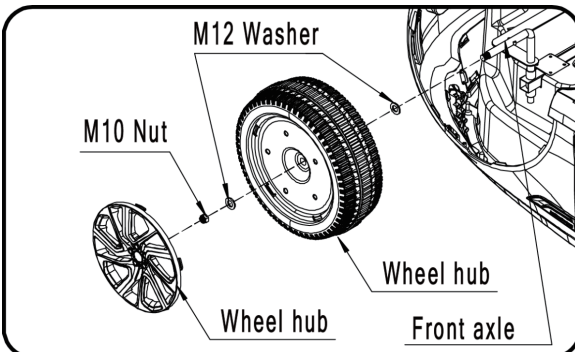
- Your new vehicle requires adult assembly. Please set aside at least 40 minutes for assembly. Children can be harmed by small parts, sharp edges and sharp points in the vehicle's unassembled state. Care should be taken in unpacking and assembly of the vehicle. Children should not handle parts, or help in assembly of the vehicle.
- Please identify all parts before assembly and save all packaging material until assembly is complete to ensure that no parts are discarded.
- Assembly tool for need: screwdriver(not included), pliers(not included), hammer(not included),Spanner.

1. Install the back wheels .



- As shown in the picture,turn over the car body,and remove the nut and washer on the rear axle,
- Put the driving wheel through the rear axle and fix it with washer and nut and wheel hub in turn.
- The other side is same as above.

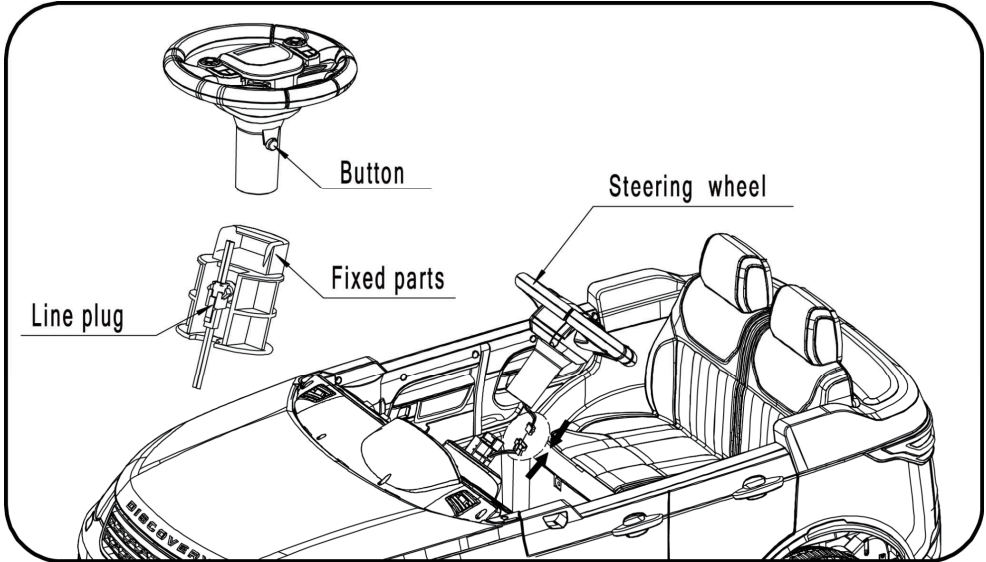
2. Install the front wheel.



- Remove the nut and washer on the front axle;
- As showed in the picture, fix the washer, wheel, washer and nut onto the axle in proper order.
- Fasten the nut with spanner.
- Fix the wheel hub.
- Fix another wheel on the other side.

Assembly Steps

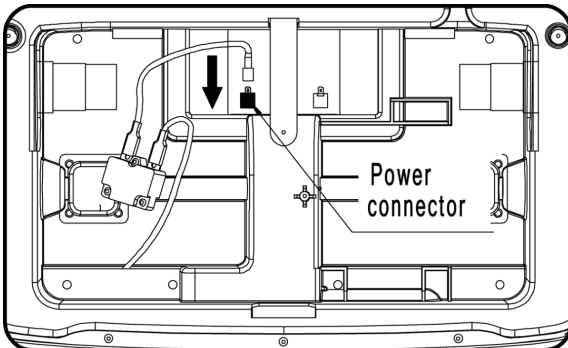
3. Install the steering wheel .



- As showed in the picture,connect the steering wheel and gauge board middle connector.
- As shown in the picture,press and hold the button ,then install the steering wheel to the corresponding places.

NOTE: When installing the steering wheel, it's better to put the line plug into the slot of fixed parts, to avoid the steering wheel nip the wire

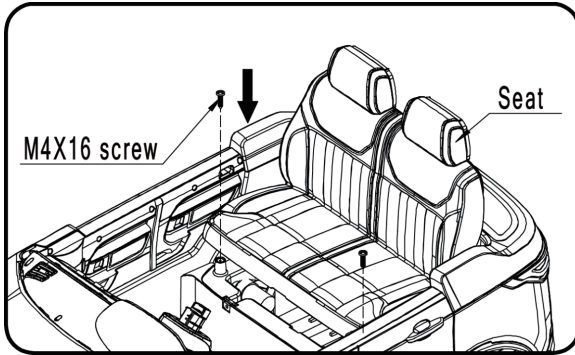
4. Connect the power supply.



- Plug the power connector into the terminal on battery as shown.

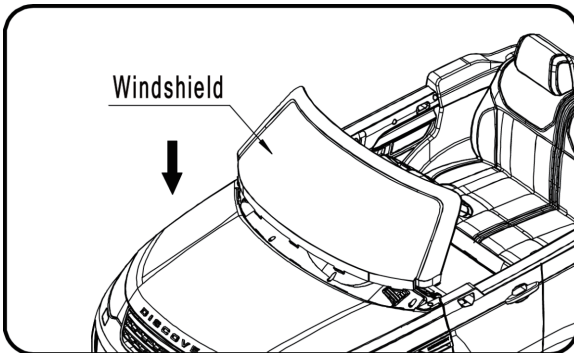
Assembly Steps

5. Install the seat.



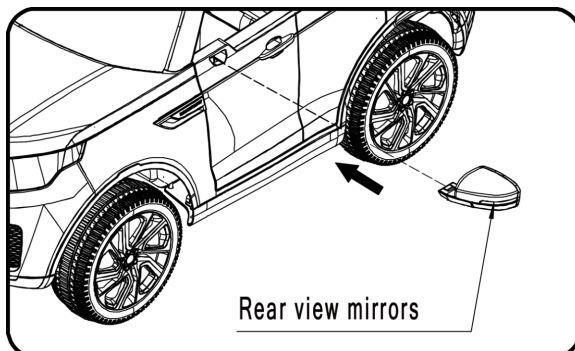
- As showed in the picture,install the seat to the corresponding place, and fasten with the screws .

6. Install the windshield.



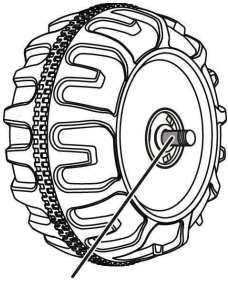
- As showed in the picture, press the windshield downward to fix it.

7. Install the rear view mirror.



- As showed in the picture ,push the two rear view mirrors according to the direction of the arrow and make sure to fit in position.

Assembly Steps



GAP

IMPORTANT SUPPLEMENT TO INSTRUCTION MANUAL

After assembling any wheel to the axles, please check the gap between the screw thread and the collapsible (refer to below picture), if the gap is too big, please add two or three washers inside the wheel, But after tightening the nut outside the wheel, please turn the wheel by your finger to check if the wheel can run smoothly, this is very important, because if the wheel can run smoothly, it is ok, but if the nut press the wheel and the wheel can't run smoothly, the motor will be broken easily! Then you need to decrease one or two washers to make sure the wheel can run smoothly!

How To Operate Your Vehicle



WARNING!

PREVENT INJURIES AND DEATHS:

- **NEVER LEAVE CHILD UNATTENDED. DIRECT ADULT SUPERVISION IS REQUIRED.** Always keep child in view when child is in vehicle.
- Never use in roadways, near cars, on or near steep inclines or steps, swimming pools or other bodies of water.
- Always wear shoes and never allow more than two riders.
- Always sit on the seat.
- Suitable for age 3-8 years; Maximum user weight is 110 lbs..
- Not to be used in traffic .

Must confirm before using that following work which is already finished:

- **Important!** Before using the vehicle for first time, the battery needs to be charged for 8 to 12 hours, no more than 20 hours. Only an adult can charge or recharge the battery.
- Finishing the complete car to assemble according to the steps that the manual described. The plug-in package of storage battery has already been inserted well, the power has already been put through.
- All places to need the screw guarantee the screw has already been locked.

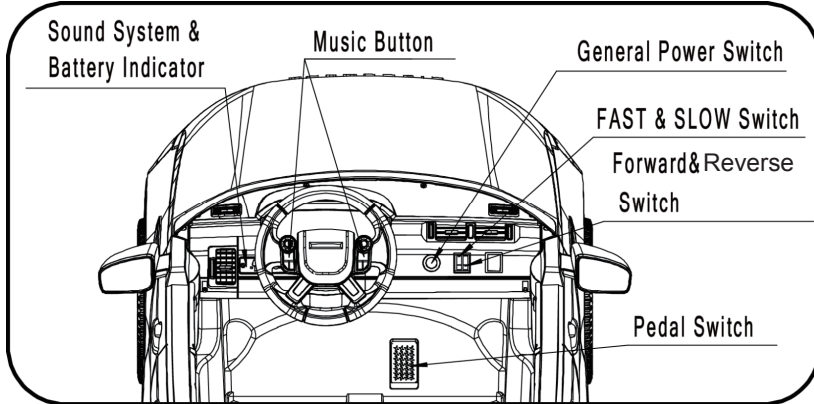
Rules for Safe Riding

READ THESE RULES ALOUD TO YOUR CHILD AND THEIR PLAYMATES AND MAKE SURE THEY UNDERSTAND THEM!

- This toy has no break. Always wear a helmet and protective clothing when riding.
- Direct Adult Supervision Required.
- Keep Children within Safe Riding Areas.
- Never driving in roadway, near motor vehicles, on lawn space, on near steep inclines or steps, swimming pools or other bodies of water.
- Use the toy only on flat surfaces. such as inside your house, garden or playground.
- Never use in the dark. A child could encounter unexpected obstacles and have an accident. Operate the vehicle only in the daytime or a well-lit area.
- It is not recommended to drive the vehicle on wet surfaces or on lopes of greater than 15 degrees.
- Do not use this vehicle outdoors when it is raining or snowing.
- Make sure you come to a complete stop before changing directions from forward to back.
- Please follow the correct weight and age limits allowed to drive this vehicle.
- It is prohibited to change the circuit or add other electric parts
- Inspect wires and connections of the vehicle periodically.
- In order to avoid accidents, please ensure the vehicle is safe before riding.
- Do not let any child touch the wheels or be near them when the car is moving .
- This vehicle has adjustable play seat belts. please instruct children how to tie the safety belt before using, guarantee the security.

How To Operate Your Vehicle

Use Operation(Ensure the power switch has been turned on)



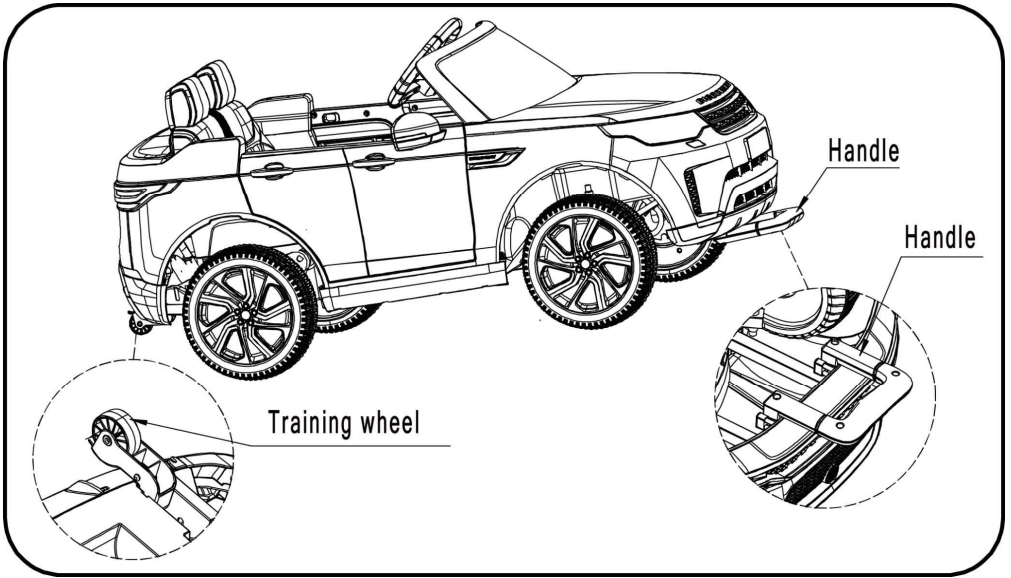
IMPORTANT!

Always stop vehicle when changing the speed or direction to avoid damage the gear box and motor.

- (1) Turn on the general power switch first,the music can be played.
- (2) Forward
Press the "Forward and Reverse switch" to the " ↑ " position.
Press the pedal.
The vehicle drives forward.
- (3) Stop
Remove foot from the accelerator pedal to stop the car.
- (4) Reverse
Press the "Forward and Reverse switch" to the " ↓ " position.
Press the pedal.
The vehicle drives backward.
- (5) Turn on the general power switch ,Then you can enjoy music by push any music button.
- (6) Turn on the "FAST and SLOW Switch" ,control the speed of the car.

How To Operate Your Vehicle

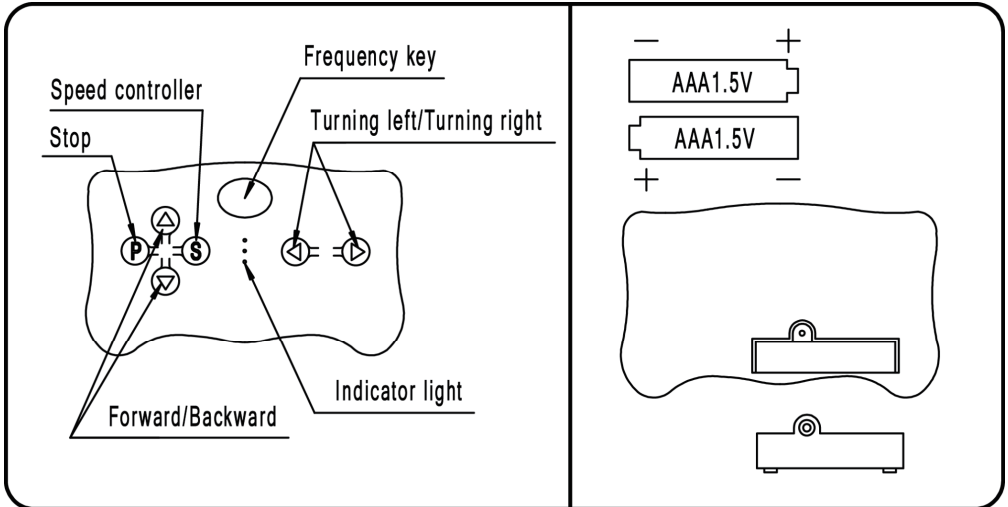
(7) How to pull a car



- As shown in the picture, turn over the training wheel and handle to the corresponding position, then you can pull a car .

How To Operate Your Vehicle

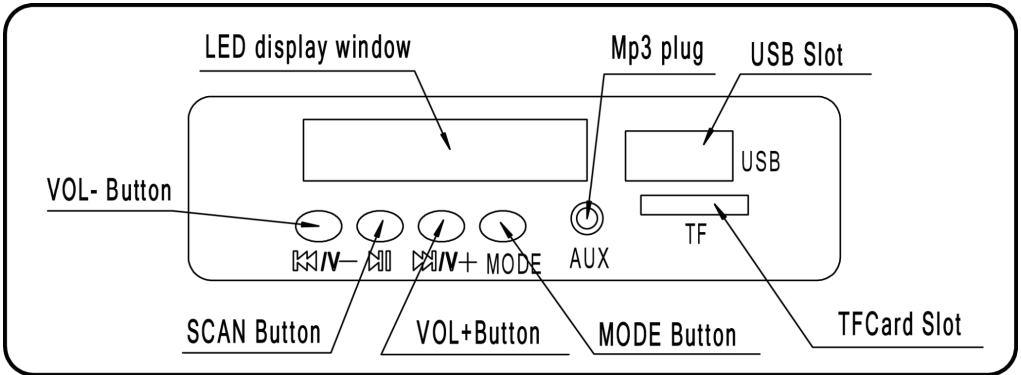
(8) How to use the remote controller:



1. Powering off.
2. Remove the battery cover of remote controller, insert two AAA 1.5V batteries(See above photo)and the light of remote controller will keep on.Replace the battery cover.
- 3.Press the "Frequency key "for 2 to 4 seconds, the indicator light of remote controller will blink.
- 4.Turn on the general power switch.
5. Matching the code. **(Pair code automatically, no need to operate any buttons.)**
6. Once the code is matched, there' s no need to match it again.
If new batteries are changed, act as instruction from 1 to 4 to match the code again.
7. Push the left joy stick to the front ,the vehicle goes forward, push the left joy stick to the back, the vehicle goes backward.
8. Push the right joy stick to the left ,the vehicle turns left, push the right joy stick to the right, the vehicle turns Right.
9. Press the "stop"button, the vehicle drives stop.
- 10.Click "Speed controller",you can control the speed.

How To Operate Your Vehicle

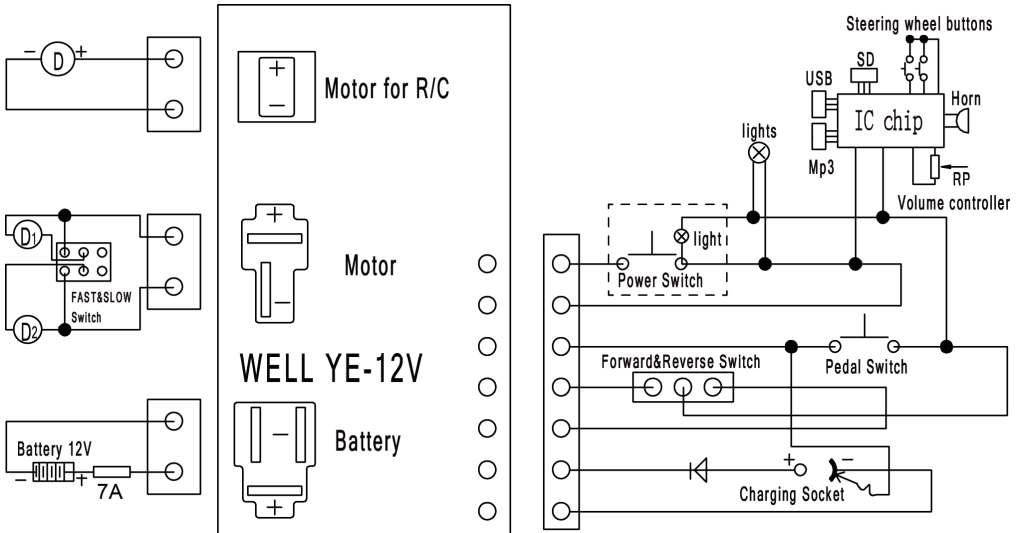
(9) How to use the Sound System & Battery Indicator



1. Mp3 plug is available, but need external player (not included). USB Slot is available, but need USB drive (not included).
TF Card Slot is available, but need TF Card (not included).
2. Mode selection
Press "MODE Button" :
 - 1 LED display window shows "USB", which indicates that the player is working in the U disk.
 - 2 LED display window shows " TF ", which indicates that the player is working in the TF card.
 - 3 LED display window shows " voltage digital", means player can work in the memory state.
Or press "MODE Button", the player will change to work in MP3 connection device state.
 - 4 LED display window shows " FM", You can use the radio function.
3. You can adjust volume by long-Pressing "VOL-Button" or "VOL+Button" .
Click " VOL- Button " or " VOL+Button", you can switch musics and radio.
4. Click "SCAN Button", you can control the music play and pause.

How To Operate Your Vehicle

Circuit diagram



Charging Your Vehicle

ONLY AN ADULT CAN CHARGE AND RECHARGE THE BATTERY!

- non-rechargeable batteries are not to be recharged;
- different type of batteries or new and used batteries are not to be mixed;
- batteries are to be inserted with the correct polarity;
- exhausted batteries are to be removed from the toy;
- the supply terminals are not to be short-circuited.
- rechargeable batteries are only to be charged under adult supervision;
- rechargeable batteries are to be removed from the toy before being charged;
- The transformers or battery charger used with the toy are to be regularly examined for damage to the cord, plug, enclosure and other parts, and in the event of such damage, they must not be used until that damage had been repaired.

! WARNING!

• PREVENT FIRE AND ELECTRIC SHOCK:

- Use the only rechargeable battery and charger supplied with your vehicle. NEVER substitute the battery or the charger with another brand. Using another battery or charger may cause a fire or explosion.
- Do not use the battery or charger for any other product. Overheating, fire or explosion could occur.
- NEVER modify the electric circuit system. Tampering with the electric system may cause a shock, fire or explosion or may permanently damage the system.
- Do not allow direct contact between battery terminals. Fire or explosion can occur.
- Do not allow any type of liquid on the battery or its components.

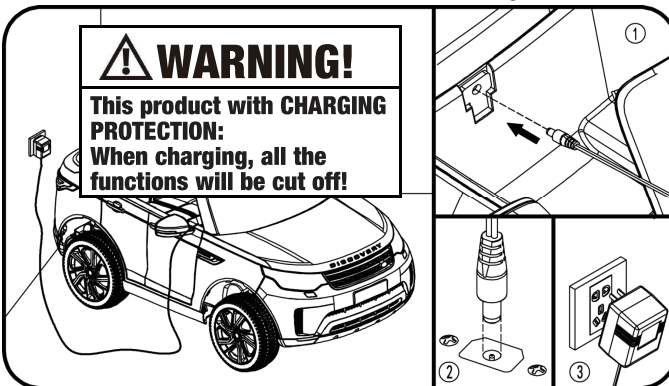
Charging Your Vehicle

⚠️ WARNING!

• **PREVENT FIRE AND ELECTRIC SHOCK:**

- Explosive gasses are created during charging. Do not charge near heat or flammable materials. Charge the battery in a well-ventilated area **ONLY**.
- NEVER pick up the battery by the wires or charger. Damage can occur to the battery and may cause a fire. Pick up the battery by the case **ONLY**.
- Charge the battery in a dry area **ONLY**.
- Battery posts, terminals and related accessories contain lead and lead compounds, chemicals known to the State of California to cause cancer and reproductive harm. **Wash hands after handling.**
- Do not open the battery. Battery contains lead acid and other materials that are toxic and corrosive.
- Do not open the charger. Exposed wiring and circuitry inside case may cause electric shock. Only adults may handle or charge the battery. NEVER allow child to handle or charge the battery. Battery is heavy and contains lead acid (electrolyte).
- Do not drop the battery. Permanent damage to the battery could occur or cause serious injury.
- Before charging the battery, check for wear or damage to the battery, charger, its supply cord and the connectors. **DO NOT** charge the battery if any damage to parts has occurred.
- Do not allow the battery to drain completely. Recharge the battery after each use or once a month if not used regularly.
- Do not charge battery upside down.
- Always secure the battery with the bracket. Battery can fall out and injure a child if vehicle tips over.
- A recommendation for adult supervision of young children.
- The toy should be used with caution since skill is required to avoid falls or collisions causing injury to the user or third parties.

- The charging input socket is **BELOW THE SEAT**.
- The **POWER SWITCH** must be turned in **OFF** position when charging.
- Before the first use, you should charge the battery for 8-12 hours. Do not recharge the battery for more than 20 hours to avoid overheating the charger.
- When the vehicle begins to run slowly, recharge the battery.
- After each use or once a month minimum recharge time as 8 to 12 hours, no more than 20 hours.



Troubleshooting Guide

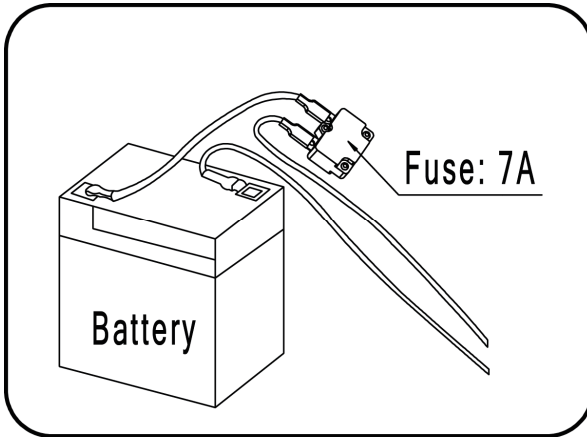
■ **PROBLEM: The vehicle does not run**

PROBLEM CAUSE: The battery may low on power.

After each use, or once a month minimum, charge the battery for 8-12 hours. Do not leave the battery on the charger for more than 20 hours.

POSSIBLE CAUSE: Thermal fuse has tripped.

The vehicle is equipped with a self-resetting fuse. When the vehicle is overloaded or operated incorrectly; the self-resetting fuse will be cut off for 5-20seconds before becoming operational again. The self-resetting fuse is under the seat (Refer to the picture.)



To avoid the fuse cutting off the power, follow these guidelines:

DO NOT overload the vehicle, Maximum weight allowed :110 lbs.

DO NOT tow anything behind the vehicle.

DO NOT drive up steep slopes.

DO NOT drive into fixed objects, which may cause the wheels to spin, causing the motor to overheat.

DO NOT drive in very hot weather, components may overheat.

DO NOT tamper with the electric system, Doing so may create a short circuit, causing the fuse to trip.

POSSIBLE CAUSE: Wheel nuts are loose.

If the nuts are not tight, the wheels will not engage the forward gears. Tighten the nut with the nut wrench.

POSSIBLE CAUSE: Battery connector or wires are loose.

Make Sure the battery connectors are firmly plugged in to each other.

POSSIBLE CAUSE: Battery is dead.

Have you properly maintained the battery according to the directions? Is the battery old? Your battery may need to be replaced.

POSSIBLE CAUSE: Electric system is damaged.

Water may have corroded the system, or loose dirt, gravel or sand might have jammed the switch.

POSSIBLE CAUSE: Motor is damaged.

The motor needs professional repair.

■ **PROBLEM: The battery will not recharge.**

POSSIBLE CAUSE: Battery connector or adapter connector is loose.

Make sure the battery connector and adapter connector are firmly plugged together.

POSSIBLE CAUSE: Charger is not plugged in.

Make sure the charger is plugged into the wall outlet and the power flow to the outlet is on.

POSSIBLE CAUSE: Charger is not working.

Is the charger warm while charging? If not, the charger may be broken and may need to be replaced.

Troubleshooting Guide

■ **PROBLEM: The vehicle does not run very long.**

POSSIBLE CAUSE: Battery may be undercharged.

You may not be charging the battery long enough. After each use, or once a month minimum, charge the battery for 8 to 12 hours. Do not leave the battery on the charger for more than 20 hours.

POSSIBLE CAUSE: Battery is old.

The battery will eventually lose the ability to hold a charge. Depending on the amount of use, and varying conditions, the battery should operate for one to three years. Replace the battery with a new One.

■ **PROBLEM: Battery buzzes or gurgles when charging.**

This is normal and not a cause for concern. It may also be silent when charging, which is also normal.

■ **PROBLEM: Charger feels warm when recharging battery.**

This is normal and not a cause for concern.

Maintaining Your Vehicle

- It is parents' responsibility to check main parts of the toy before using. Must regularly examine for potential hazard, such as the battery, charge, cable or cord, plug, screws are fastening enclosure of other parts and that in the event of such damage, the toy must not be used until that damage had been properly removed.
- Make sure the plastic parts of the vehicle are not cracked or broken.
- Occasionally use a lightweight oil to lubricate moving parts such as wheels.
- Park the vehicle indoors or cover it with a tarp to protect it from wet weather.
- Keep the vehicle away from sources of heat, such as stoves and heaters. Plastic parts may melt.
- Recharge the battery after each use. Only an adult can handle the battery. Recharge the battery at least once a month when the vehicle is not being used.
- Do not wash the vehicle with a hose. Do not wash the vehicle with soap and water. Do not drive the vehicle in rainy or snowy weather. Water will damage the motor, electric system and battery.
- Clean the vehicle with a soft, dry cloth. To restore shine to plastic parts, use a non-wax furniture polish. Do not use car wax. Do not use abrasive cleaners.
- Do not drive the vehicle in loose dirt, sand or fine gravel which could damage moving parts, motors or the electric system.
- When not using, all the electrical source should be turned off. Turn off the power switch and disconnect the battery connection.

Disposal Of Battery

Disposal Of Battery

- Your sealed lead-acid battery must be recycled or disposed of in an environmentally sound manner.
- Do not dispose of your lead-acid battery in a fire. The battery may explode or leak.
- Do not dispose of a lead-acid battery in your regular, household trash. The incineration, land filling or mixing of sealed lead-acid batteries with household trash is prohibited by law.
- Return an exhausted battery to your local approved lead-acid battery recycle, such as a local seller of automotive batteries.
- Contact your local waste management officials for other information regarding the environmentally sound recycling and disposal of lead-acid batteries.
- The battery must be charged only by adult .Please charge the product before using!
- The toy should not be connected to excessive powers (more than the quantity specified herein), and it should not be operated during charging process.
- Any rechargeable battery must only be charged under adult's supervision.
- Battery charger shall regularly check the wires, plugs. casing and other parts for damage and found damage should stop using and restored.
- Open the battery cover on the remote control, and put two pieces of batteries,paying attention to batteries polarity. Replace the battery cover and lock with screws (please replace the battery according to the above steps and should be done by adult) .
- All batteries should be inserted with the correct polarity.
- Non-rechargeable battery should not be charged, please remove any running-off battery from the toy.
- Do not use old and new batteries together, or mix different types of batteries.
- The battery charger used with the toy are to be regularly examined for damage to the cord, plug, enclosure and other parts, and in the event of such damage, they must not be used until that damage had been repaired.

Welcome to visit our website and purchase our quality products!

Your suggestions and comments for COSTWAY are really important to us!
We sincerely solicit you to go back to our shop and leave a good rating in just a simple click. It would be quite encouraging if you could kindly do so like below:

★★★★★ Great products so far

February 24, 2019

Great products so far. Fast delivery, easy setup, and working without any issues.

With your inspiring rating, COSTWAY will be more consistent to offer you
EASY SHOPPING EXPERIENCE, GOOD PRODUCTS and EFFICIENT SERVICE!

US office: Fontana, California

UK office: Ipswich



- * Reward Points
- * Exclusive Customer Service
- * Personalized Recommendations
- * Permanent Shopping Cart
- * Order History

5 Star Rating



We would like to extend our heartfelt thanks to
all of our customers for taking time to assemble
this product and giving us valuable feedbacks.

THANK
YOU
☺

