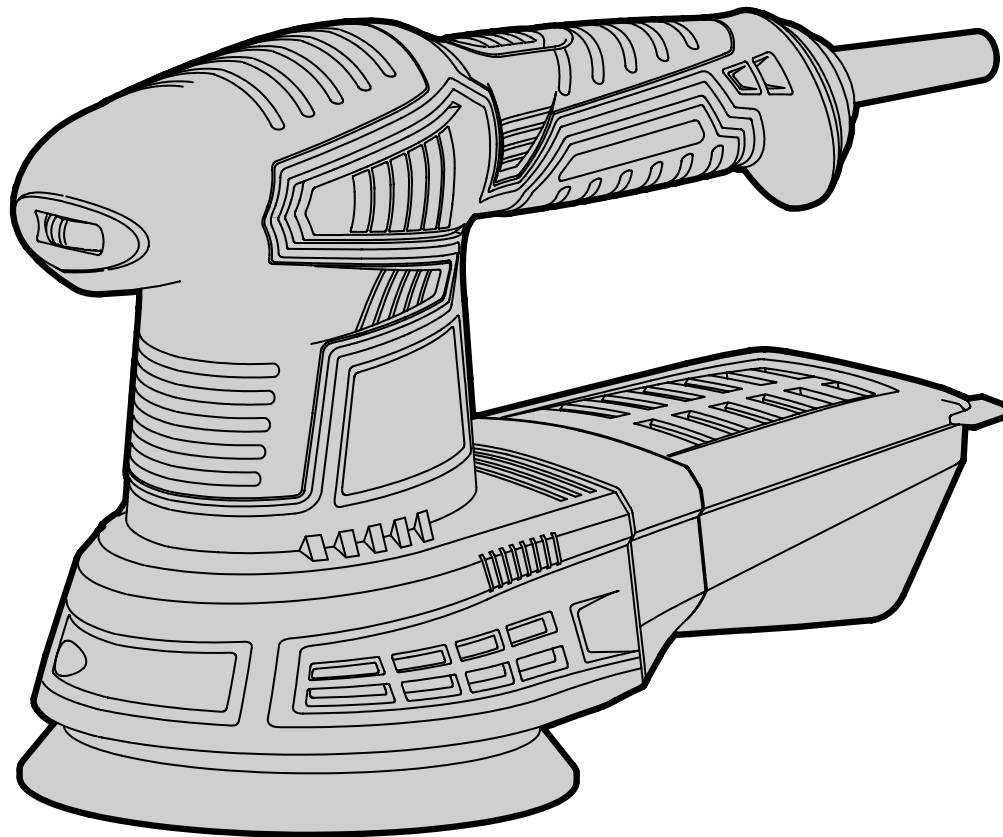




MODEL 6305

5-INCH RANDOM ORBITAL SANDER

Instruction Manual



NEED HELP? CONTACT US!

Have product questions? Need technical support? Please feel free to contact us:



1-800-232-1195 (M-F 8AM-5PM CST)



TECHSUPPORT@WENPRODUCTS.COM

IMPORTANT: Your new tool has been engineered and manufactured to WEN's highest standards for dependability, ease of operation, and operator safety. When properly cared for, this product will supply you years of rugged, trouble-free performance. Pay close attention to the rules for safe operation, warnings, and cautions. If you use your tool properly and for its intended purpose, you will enjoy years of safe, reliable service.

For replacement parts and the most up-to-date instruction manuals, visit ***WENPRODUCTS.COM***

CONTENTS

WELCOME	3
Introduction	3
Specifications.....	3
SAFETY	4
General Safety Rules	4
Random Orbital Sander Safety Warnings.....	6
Electrical Information	7
BEFORE OPERATING	8
Unpacking & Packing List	8
Know Your Random Orbital Sander	9
OPERATION & MAINTENANCE	9
Operation	9
Maintenance.....	11
Troubleshooting Guide.....	12
Exploded View & Parts List.....	13
Warranty Statement	15

To purchase accessories and replacement parts for your tool, visit **WENPRODUCTS.COM**

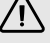
80 Grit Sandpaper (Model 6305SP80)

120 Grit Sandpaper (Model 6305SP120)

240 Grit Sandpaper (Model 6305SP240)

INTRODUCTION

Thanks for purchasing the WEN Random Orbital Sander. We know you are excited to put your tool to work, but first, please take a moment to read through the manual. Safe operation of this tool requires that you read and understand this operator's manual and all the labels affixed to the tool. This manual provides information regarding potential safety concerns, as well as helpful assembly and operating instructions for your tool.

 Indicates danger, warning, or caution. The safety symbols and the explanations with them deserve your careful attention and understanding. Always follow the safety precautions to reduce the risk of fire, electric shock or personal injury. However, please note that these instructions and warnings are not substitutes for proper accident prevention measures.

NOTE: The following safety information is not meant to cover all possible conditions and situations that may occur. WEN reserves the right to change this product and specifications at any time without prior notice.

At WEN, we are continuously improving our products. If you find that your tool does not exactly match this manual, please visit wenproducts.com for the most up-to-date manual or contact our customer service at **1-800-232-1195**.

Keep this manual available to all users during the entire life of the tool and review it frequently to maximize safety for both yourself and others.

SPECIFICATIONS

Model Number	6305
Motor	120V AC, 60 Hz, 3.7A
No-Load Speed	6,000 - 13,000 RPM
Oscillation	1/12 Inch
Sanding Pad Size	5 Inches
Product Dimensions	9-3/4 in. x 4-3/4 in. x 6-3/4 in.
Product Weight	3.90 Pounds

GENERAL SAFETY RULES

⚠ WARNING! Read all safety warnings and all instructions. Failure to follow the warnings and instructions may result in electric shock, fire and/or serious injury.

Safety is a combination of common sense, staying alert and knowing how your item works. The term “power tool” in the warnings refers to your mains-operated (corded) power tool or battery-operated (cordless) power tool.

SAVE THESE SAFETY INSTRUCTIONS.

WORK AREA SAFETY

- 1. Keep work area clean and well lit.** Cluttered or dark areas invite accidents.
- 2. Do not operate power tools in explosive atmospheres, such as in the presence of flammable liquids, gases or dust.** Power tools create sparks which may ignite the dust or fumes.
- 3. Keep children and bystanders away while operating a power tool.** Distractions can cause you to lose control.

ELECTRICAL SAFETY

- 1. Power tool plugs must match the outlet. Never modify the plug in any way. Do not use any adapter plugs with earthed (grounded) power tools.** Unmodified plugs and matching outlets will reduce risk of electric shock.
- 2. Avoid body contact with earthed or grounded surfaces such as pipes, radiators, ranges and refrigerators.** There is an increased risk of electric shock if your body is earthed or grounded.
- 3. Do not expose power tools to rain or wet conditions.** Water entering a power tool will increase the risk of electric shock.
- 4. Do not abuse the cord. Never use the cord for carrying, pulling or unplugging the power tool. Keep cord away from heat, oil, sharp edges or moving parts.** Damaged or entangled cords increase the risk of electric shock.
- 5. When operating a power tool outdoors, use an extension cord suitable for outdoor use.** Use of a cord suitable for outdoor use reduces the risk of electric shock.

- 6. If operating a power tool in a damp location is unavoidable, use a ground fault circuit interrupter (GFCI) protected supply.** Use of a GFCI reduces the risk of electric shock.

PERSONAL SAFETY

- 1. Stay alert, watch what you are doing and use common sense when operating a power tool. Do not use a power tool while you are tired or under the influence of drugs, alcohol or medication.** A moment of inattention while operating power tools may result in serious personal injury.
- 2. Use personal protective equipment. Always wear eye protection.** Protective equipment such as a respiratory mask, non-skid safety shoes and hearing protection used for appropriate conditions will reduce the risk of personal injury.
- 3. Prevent unintentional starting. Ensure the switch is in the off-position before connecting to power source and/or battery pack, picking up or carrying the tool.** Carrying power tools with your finger on the switch or energizing power tools that have the switch on invites accidents.
- 4. Remove any adjusting key or wrench before turning the power tool on.** A wrench or a key left attached to a rotating part of the power tool may result in personal injury.
- 5. Do not overreach. Keep proper footing and balance at all times.** This enables better control of the power tool in unexpected situations.
- 6. Dress properly. Do not wear loose clothing or jewelry. Keep your hair and clothing away from moving parts.** Loose clothes, jewelry or long hair can be caught in moving parts.

GENERAL SAFETY RULES

 **WARNING!** Read all safety warnings and all instructions. Failure to follow the warnings and instructions may result in electric shock, fire and/or serious injury.

Safety is a combination of common sense, staying alert and knowing how your item works. The term “power tool” in the warnings refers to your mains-operated (corded) power tool or battery-operated (cordless) power tool.

SAVE THESE SAFETY INSTRUCTIONS.

7. If devices are provided for the connection of dust extraction and collection facilities, ensure these are connected and properly used. Use of dust collection can reduce dust-related hazards.

POWER TOOL USE AND CARE

1. Do not force the power tool. Use the correct power tool for your application. The correct power tool will do the job better and safer at the rate for which it was designed.

2. Do not use the power tool if the switch does not turn it on and off. Any power tool that cannot be controlled with the switch is dangerous and must be repaired.

3. Disconnect the plug from the power source and/or the battery pack from the power tool before making any adjustments, changing accessories, or storing power tools. Such preventive safety measures reduce the risk of starting the power tool accidentally.

4. Store idle power tools out of the reach of children and do not allow persons unfamiliar with the power tool or these instructions to operate the power tool. Power tools are dangerous in the hands of untrained users.

5. Maintain power tools. Check for misalignment or binding of moving parts, breakage of parts and any other condition that may affect the power tool's operation. If damaged, have the power tool repaired before use. Many accidents are caused by poorly maintained power tools.

6. Keep cutting tools sharp and clean. Properly maintained cutting tools with sharp cutting edges are less likely to bind and are easier to control.

7. Use the power tool, accessories and tool bits, etc. in accordance with these instructions, taking into account the working conditions and the work to be performed. Use of the power tool for operations different from those intended could result in a hazardous situation.

8. Use clamps to secure your workpiece to a stable surface. Holding a workpiece by hand or using your body to support it may lead to loss of control.

9. KEEP GUARDS IN PLACE and in working order.

SERVICE

1. Have your power tool serviced by a qualified repair person using only identical replacement parts. This will ensure that the safety of the power tool is maintained.


CALIFORNIA PROPOSITION 65 WARNING

Some dust created by power sanding, sawing, grinding, drilling, and other construction activities may contain chemicals, including lead, known to the State of California to cause cancer, birth defects, or other reproductive harm. Wash hands after handling. Some examples of these chemicals are:

- Lead from lead-based paints.
- Crystalline silica from bricks, cement, and other masonry products.
- Arsenic and chromium from chemically treated lumber.

Your risk from these exposures varies depending on how often you do this type of work. To reduce your exposure to these chemicals, work in a well-ventilated area with approved safety equipment such as dust masks specially designed to filter out microscopic particles.

RANDOM ORBITAL SANDER SAFETY WARNINGS

 **WARNING!** Do not operate the power tool until you have read and understood the following instructions and the warning labels.


ORBITAL SANDER SAFETY

1. Hold your power tool by the insulated gripping surfaces, especially when performing an operation where the accessory could contact hidden wiring.
2. Protect your lungs. Wear a face or dust mask during operation. Following this rule will reduce the risk of serious respiratory injury.
3. Protect your hearing. Wear hearing protection during extended periods of operation. Following this rule will reduce the risk of serious personal injury.
4. Check damaged parts. Before further use of the tool, determine that it will operate properly and perform its intended function. Check for alignment, binding or breakage of moving parts or any other conditions that may affect its operation. A guard or other part that is damaged should be properly repaired or replaced by an authorized service center. Following this rule will reduce the risk of shock, fire, or serious injury.
5. Remove all nails from lumber before using this tool. Following this rule will reduce the risk of injury.
6. Save these instructions. Refer to them frequently and use them to instruct others who may use this product. If you loan someone this product, loan them these instructions also.
7. Do not use the sander to remove lead-based paints or other harmful chemicals.

Some examples of these chemicals are:

- Lead from lead-based paints.
- Crystalline silica from bricks and cement and other masonry products.
- Arsenic and chromium from chemically treated lumber.

To reduce your exposure, work in a well-ventilated area and with approved safety equipment, such as dust masks that are specially designed to filter out microscopic particles.

 **WARNING!** This product and the dust created by power sanding, sawing, grinding, drilling, and other construction activities may contain chemicals, including lead, known to the State of California to cause cancer, birth defects, or other reproductive harm. Wash hands after handling.

VIBRATION SAFETY

This tool vibrates during use. Repeated or long-term exposure to vibration may cause temporary or permanent physical injury, particularly to the hands, arms and shoulders.

To reduce the risk of any vibration-related injury:

1. First be examined by a doctor and then have regular medical check-ups to ensure medical problems are not being caused or worsened from use. Pregnant women or people who have impaired blood circulation to the hand, past hand injuries, nervous system disorders, diabetes, or Raynaud's Disease should not use this tool. If you feel any symptoms related to vibration (such as tingling, numbness, and white or blue fingers), seek medical advice as soon as possible.
2. Do not smoke during use. Nicotine reduces the blood supply to the hands and fingers, increasing the risk of vibration-related injury.
3. Wear gloves to reduce vibration effects on user.
4. Use tools with lowest vibration when able to.
5. Take vibration-free breaks during each day of work.
6. Grip tool as lightly as possible (while still keeping safe control of it). Let the tool do the work.
7. To reduce vibration, maintain the tool as explained in this manual. If any abnormal vibration occurs, stop use immediately.

ELECTRICAL INFORMATION

DOUBLE-INSULATED TOOL

The tool's electrical system is double-insulated where two systems of insulation are provided. This eliminates the need for the usual three-wire grounded power cord. Double-insulated tools do not need to be grounded, nor should a means for grounding be added to the product. All exposed metal parts are isolated from the internal metal components with protecting insulation.



IMPORTANT: Servicing a double-insulated product requires extreme care and knowledge of the system, and should be done only by qualified service personnel using identical replacement parts. Always use original factory replacement parts when servicing.

1. Polarized Plugs. To reduce the risk of electric shock, this equipment has a polarized plug (one blade is wider than the other). This plug will fit in a polarized outlet only one way. If the plug does not fit fully in the outlet, reverse the plug. If it still does not fit, contact a qualified electrician to install a proper outlet. Do not modify the machine plug or the extension cord in any way.

2. Ground fault circuit interrupter protection (GFCI) should be provided on the circuit or outlet used for this power tool to reduce the risk of electric shock.

3. Service and repair. To avoid danger, electrical appliances must only be repaired by a qualified service technician using original replacement parts.

GUIDELINES AND RECOMMENDATIONS FOR EXTENSION CORDS

When using an extension cord, be sure to use one heavy enough to carry the current your product will draw. An undersized cord will cause a drop in line voltage, resulting in loss of power and overheating. The table below shows the correct size to be used according to cord length and ampere rating. When in doubt, use a heavier cord. The smaller the gauge number, the heavier the cord.

AMPERAGE	REQUIRED GAUGE FOR EXTENSION CORDS			
	25 ft.	50 ft.	100 ft.	150 ft.
3.7A	18 gauge	16 gauge	16 gauge	14 gauge

1. Examine extension cord before use. Make sure your extension cord is properly wired and in good condition. Always replace a damaged extension cord or have it repaired by a qualified person before using it.

2. Do not abuse extension cord. Do not pull on cord to disconnect from receptacle; always disconnect by pulling on plug. Disconnect the extension cord from the receptacle before disconnecting the product from the extension cord. Protect your extension cords from sharp objects, excessive heat and damp/wet areas.

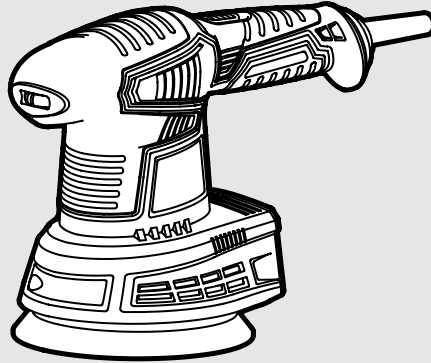
3. Use a separate electrical circuit for your tool. This circuit must not be less than a 12-gauge wire and should be protected with a 15A time-delayed fuse. Before connecting the motor to the power line, make sure the switch is in the OFF position and the electric current is rated the same as the current stamped on the motor nameplate. Running at a lower voltage will damage the motor.

UNPACKING & PACKING LIST

UNPACKING

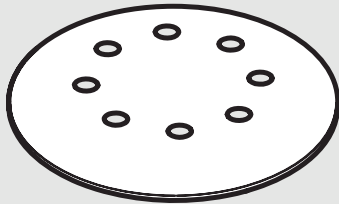
Carefully remove the random orbital sander from the packaging and place it on a sturdy, flat surface. Make sure to take out all contents and accessories. Do not discard the packaging until everything is removed. Check the packing list below to make sure you have all of the parts and accessories. If any part is missing or broken, please contact customer service at **1-800-232-1195** (M-F 8-5 CST), or email techsupport@wenproducts.com.

Components

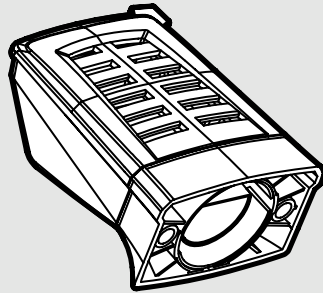


Random Orbital Sander (1)

Accessories



80-Grit Sandpaper (1)

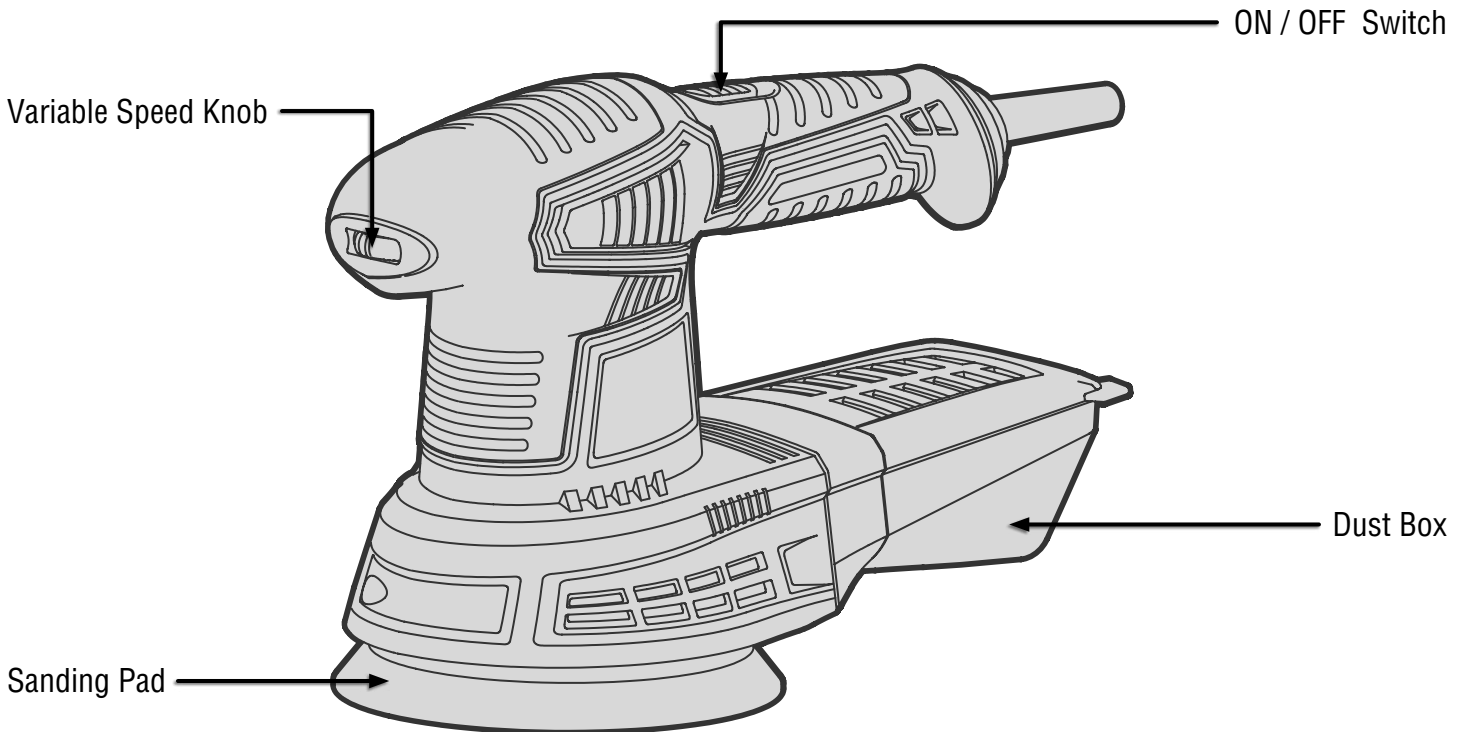


Dust Box (1)

KNOW YOUR RANDOM ORBITAL SANDER

TOOL PURPOSE

Easily sand whatever comes your way with your WEN Random Orbital Sander. Refer to the following diagrams to become familiarized with all the parts and controls of your sander. The components will be referred to later in the manual for assembly and operation instructions.



OPERATION

ATTACHING THE DUST BOX

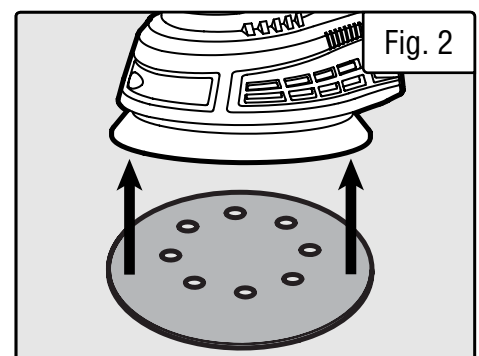
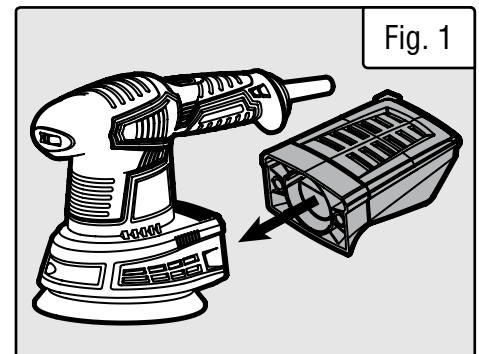
1. Locate the locking tabs on the sander's dust port. Align them with the notches in the dust box, then push the dust box onto the dust port (Fig. 1). Turn it 1/8th turn clockwise (as viewed from the back of the sander) to secure it.

INSTALLING & REMOVING SANDPAPER

1. Before installing sandpaper, make sure the hook and loop base of the sander is free of dust and dirt and that the sander is unplugged with the ON / OFF switch in the OFF position.

2. The hook and loop base of the sander will hold any hook and loop sandpaper without clamps or glue. Simply line up the sandpaper with the sander base and press together (Fig. 2), making sure the edge of the sandpaper is aligned with the edge of the hook and loop fastener base.

3. To remove used sandpaper, peel one edge away from the base of the sander until the whole sheet is free.



⚠ CAUTION! Do not use torn or severely worn or damaged sandpaper. Doing so could damage the surface of hook and loop base of the sander.

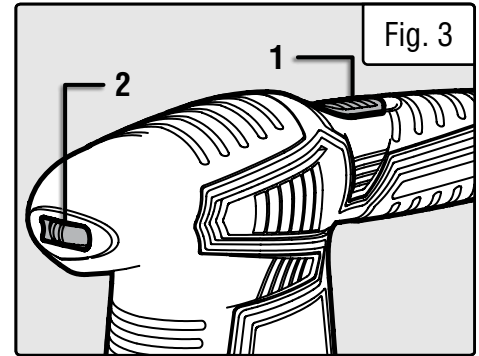
OPERATION

WORKPIECE AND WORK AREA SET UP

1. Designate a work area that is clean and well-lit. The work area must not allow access by children or pets to prevent distraction and injury. We know your cat is super cute, but pay attention to your project.
2. Secure loose workpieces using vises or clamps (not included) to prevent movement while working.
3. Move all objects that could pose a possible hazard away from the work area.

GENERAL OPERATING INSTRUCTIONS

1. Make sure that the power switch (Fig. 3 - 1) is in the OFF position.
2. Turn the switch to the ON position.
3. Set the desired speed using the variable speed knob (Fig. 3 - 2).
3. Do not use excess pressure while sanding. Always sand in the same direction as the grain of the wood. Let the sandpaper do the work. Apply even pressure over the entire workpiece.
4. Check the wear on the sandpaper at regular intervals and replace as necessary.



NOTE: Always turn the switch OFF and unplug the sander before changing sheets of sandpaper.

5. When sanding is completed, remove sander from the workpiece and turn the power switch to the OFF position.
6. When completely finished using the sander, empty the dust box, then use a vacuum to remove any dust from the dust box port.
7. To prevent accidents, turn off the sander after use, clean it, and then store the sander indoors and away from the reach of children.

SANDPAPER SELECTION

Choosing the right grit and material of sandpaper maximizes the quality of your sanded finish. Aluminum oxide, silicon carbide, and other synthetic abrasives are best for power sanding while natural abrasives, such as flint and garnet, are too soft for economical use in power sanding.

In general, coarse grits (lower numbers) will remove the most material and finer grits (higher numbers) will produce the best finish in all sanding operations. The condition of the surface to be sanded will determine the right grit for the job. If the surface is rough, start with a coarse grit and sand until the surface is uniform. A medium grit may then be used to remove the scratches left by the coarser grit while a finer grit can be used for finishing. Always continue sanding with each grit until the surface is uniform.

WEN offers a variety of sandpapers for your sander, available at wenproducts.com by searching "6305SP".

NOTE: DO NOT use the sander without sandpaper. Doing so will damage the hook and loop fastener sanding base.

MAINTENANCE

⚠ WARNING! To avoid accidents, turn the sander OFF and remove the power cord from the outlet before cleaning, adjusting, or performing any maintenance work.

⚠ WARNING! Any attempt to repair or replace electrical parts on this tool may be hazardous. Servicing of the tool must be performed by a qualified technician. When servicing, use only identical WEN replacement parts. Use of other parts may be hazardous or induce product failure.

ROUTINE INSPECTION

Before each use, inspect the general condition of the tool. If any of these following conditions exist, do not use until parts are replaced.

Check for:

- Loose hardware,
- Damaged power cord,
- Cracked or broken parts, and
- Any other condition that may affect its safe operation

CLEANING & STORAGE

1. Keep the ventilation openings free from dust and debris to prevent the motor from overheating.
2. Wipe the tool surfaces clean with a damp cloth and mild soap. Make sure water does not get into the tool.

CAUTION: Most plastics are susceptible to damage from various types of commercial solvents. Do not use any solvents or cleaning products that could damage the plastic parts. Some of these include but are not limited to: gasoline, carbon tetrachloride, chlorinated cleaning solvents, and household detergents that contain ammonia.

3. Allow the tool to cool before storing it. Store the tool in a clean and dry place away from the reach of children.

PRODUCT DISPOSAL

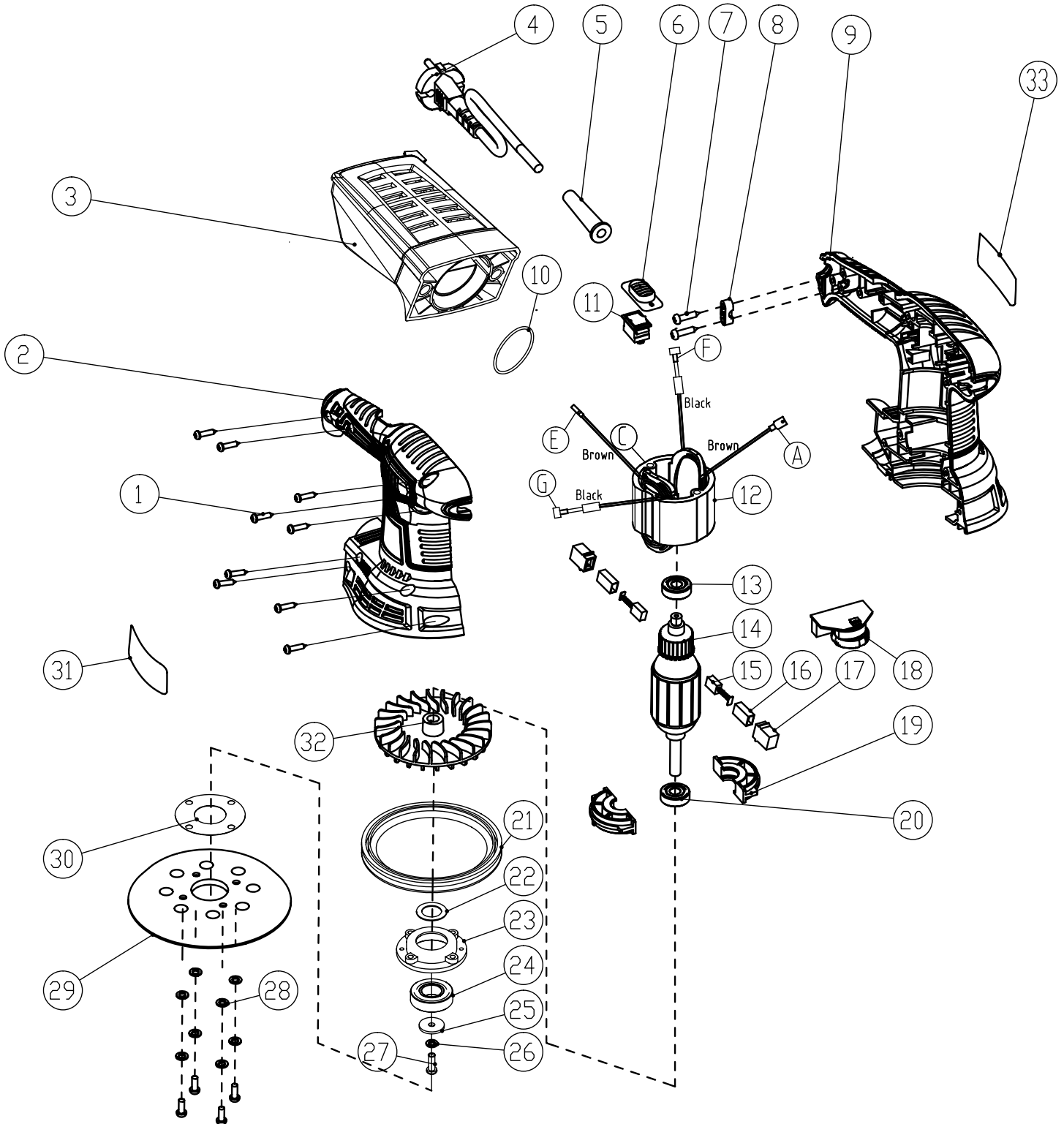
Used power tools should not be disposed of together with household waste. This product contains electronic components that should be recycled. Please take this product to your local recycling facility for responsible disposal and to minimize its environmental impact.

TROUBLESHOOTING GUIDE

⚠ WARNING! Stop using the tool immediately if any of the following problems occur. Repairs and replacements should only be performed by an authorized technician. For any questions, please contact our customer service at **1-(800) 232-1195**, M-F 8-5 CST or email us at techsupport@wenproducts.com.

Problem	Common Causes	Solution
Deep sanding grooves or scars in workpiece.	1. Sandpaper grit is too coarse.	1. Use a finer-grit sandpaper.
	2. Workpiece sanded across the grain.	2. Sand with the grain of the wood.
	3. Too much sanding force on workpiece.	3. Reduce pressure on workpiece while sanding.
	4. Sander held against workpiece surface for too long.	4. Keep sander moving steadily while sanding.
Sanding surface clogs quickly	1. Too much pressure against workpiece.	1. Clean sandpaper and reduce pressure on workpiece while sanding.
	2. Sanding softwood.	2. Use different sandpaper or clean/remove sandpaper frequently.
Burns on workpiece	1. Sandpaper grit is too fine	1. Use a coarser grit sandpaper
	2. Too much pressure being applied to workpiece	2. Reduce sanding pressure on workpiece
	3. Sander held against workpiece surface for too long	3. Keep sander moving steadily while sanding
	4. Sandpaper is loaded with debris.	4. Clean or replace the sandpaper
Sander does not turn on	1. Sander not plugged in.	1. Plug sander in. Don't beat yourself up, we've all done it.
	2. Extension cord too long with an insufficient gauge.	2. Refer to section "Guidelines & Recommendations for Extension Cords."
	3. Defective power switch.	3. Call customer service 1-800-232-1195 for assistance
	4. Motor or wiring problem	4. Call customer service 1-800-232-1195 for assistance
Motor overheats	1. Motor overloaded	1. Reduce sanding pressure on workpiece and take more frequent breaks.
	2. Extension cord too long with an insufficient gauge.	2. Refer to section "Guidelines and Recommendations for Extension Cords."

EXPLODED VIEW & PARTS LIST



NOTE: Not all parts may be available for purchase. Parts and accessories that wear down over the course of normal use are not covered under the warranty.

EXPLODED VIEW & PARTS LIST

No.	Part No.	Description	Qty.	No.	Part No.	Description	Qty.
1		Self-Tapping Screw, ST4x16	9	16		Carbon Brush Holder	2
2		Right Housing	1	17		Carbon Brush Cap	2
3	6305-003	Dust Box	1	18		Speed Control PCB	1
N.P.	6305-003.1	Dust Box Filter	1	19		Bearing Sleeve	2
4		Power Cord	1	20		Bearing, 628-2RS	1
5		Strain Relief	1	21		Rubber Ring	1
6		Switch Plate	1	22		Spacer	1
7		Self-Tapping Screw, ST4x13	2	23		Pad Mounting Flange	1
8		Cord Clamp	1	24		Bearing, 6002-2RS	1
9		Left Housing	1	25		Flat Washer	1
10		O-ring	1	26		Spring Washer	5
11		Power Switch	1	27		Screw	5
12		Stator Assembly	1	28		Flat Washer	4
13		Bearing, 608-2RS	1	29	6305-029	Sanding Pad	1
14		Rotor Assembly	1	30		Base Plate Washer	1
15	6305-015	Carbon Brush	2	31		Right Label	1
				32		Fan	1
				33		Left Label	1

NOTE: Not all parts may be available for purchase. Parts and accessories that wear down over the course of normal use are not covered under the warranty.

WARRANTY STATEMENT

WEN Products is committed to building tools that are dependable for years. Our warranties are consistent with this commitment and our dedication to quality.

LIMITED WARRANTY OF WEN PRODUCTS FOR HOME USE

GREAT LAKES TECHNOLOGIES, LLC (“Seller”) warrants to the original purchaser only, that all WEN consumer power tools will be free from defects in material or workmanship during personal use for a period of two (2) years from date of purchase or 500 hours of use; whichever comes first. Ninety days for all WEN products if the tool is used for professional or commercial use. Purchaser has 30 days from the date of purchase to report missing or damaged parts.

SELLER’S SOLE OBLIGATION AND YOUR EXCLUSIVE REMEDY under this Limited Warranty and, to the extent permitted by law, any warranty or condition implied by law, shall be the replacement of parts, without charge, which are defective in material or workmanship and which have not been subjected to misuse, alteration, careless handling, misrepair, abuse, neglect, normal wear and tear, improper maintenance, or other conditions adversely affecting the Product or the component of the Product, whether by accident or intentionally, by persons other than Seller. To make a claim under this Limited Warranty, you must make sure to keep a copy of your proof of purchase that clearly defines the Date of Purchase (month and year) and the Place of Purchase. Place of Purchase must be a direct vendor of Great Lakes Technologies, LLC. Purchasing through third party vendors, including but not limited to garage sales, pawn shops, resale shops, or any other secondhand merchant, voids the warranty included with this product. Contact techsupport@wenproducts.com or 1-800-232-1195 with the following information to make arrangements: your shipping address, phone number, serial number, required part numbers, and proof of purchase. Damaged or defective parts and products may need to be sent to WEN before the replacements can be shipped out.

Upon the confirmation of a WEN representative, your product may qualify for repairs and service work. When returning a product for warranty service, the shipping charges must be prepaid by the purchaser. The product must be shipped in its original container (or an equivalent), properly packed to withstand the hazards of shipment. The product must be fully insured with a copy of the proof of purchase enclosed. There must also be a description of the problem in order to help our repairs department diagnose and fix the issue. Repairs will be made and the product will be returned and shipped back to the purchaser at no charge for addresses within the contiguous United States.

THIS LIMITED WARRANTY DOES NOT APPLY TO ITEMS THAT WEAR OUT FROM REGULAR USAGE OVER TIME, INCLUDING BELTS, BRUSHES, BLADES, BATTERIES, ETC. ANY IMPLIED WARRANTIES SHALL BE LIMITED IN DURATION TO TWO (2) YEARS FROM DATE OF PURCHASE. SOME STATES IN THE U.S. AND SOME CANADIAN PROVINCES DO NOT ALLOW LIMITATIONS ON HOW LONG AN IMPLIED WARRANTY LASTS, SO THE ABOVE LIMITATION MAY NOT APPLY TO YOU.

IN NO EVENT SHALL SELLER BE LIABLE FOR ANY INCIDENTAL OR CONSEQUENTIAL DAMAGES (INCLUDING BUT NOT LIMITED TO LIABILITY FOR LOSS OF PROFITS) ARISING FROM THE SALE OR USE OF THIS PRODUCT. SOME STATES IN THE U.S. AND SOME CANADIAN PROVINCES DO NOT ALLOW THE EXCLUSION OR LIMITATION OF INCIDENTAL OR CONSEQUENTIAL DAMAGES, SO THE ABOVE LIMITATION OR EXCLUSION MAY NOT APPLY TO YOU.

THIS LIMITED WARRANTY GIVES YOU SPECIFIC LEGAL RIGHTS, AND YOU MAY ALSO HAVE OTHER RIGHTS WHICH VARY FROM STATE TO STATE IN THE U.S., PROVINCE TO PROVINCE IN CANADA AND FROM COUNTRY TO COUNTRY.

THIS LIMITED WARRANTY APPLIES ONLY TO ITEMS SOLD WITHIN THE UNITED STATES OF AMERICA, CANADA AND THE COMMONWEALTH OF PUERTO RICO. FOR WARRANTY COVERAGE WITHIN OTHER COUNTRIES, CONTACT THE WEN CUSTOMER SUPPORT LINE. FOR WARRANTY PARTS OR PRODUCTS REPAIRED UNDER WARRANTY SHIPPING TO ADDRESSES OUTSIDE OF THE CONTIGUOUS UNITED STATES, ADDITIONAL SHIPPING CHARGES MAY APPLY.

**THANKS FOR
REMEMBERING**

