

Additional accessories are available for purchase online at:
www.SevilleClassics.com



Shelf Liners for Utility Cart (3-Pack)
Model No. **WEB089**

ULTRADURABLE[®]

Commercial-Grade 3-Tier Heavy-Duty NSF Utility Cart

FAQS

Q. Can I use the utility cart outside?

A. Our cart is designed for temporary outdoor use. Storing the cart outdoors increases the risk of corrosion from moisture. It's advised to store the cart indoors.

Q. Can I use the cart with fewer shelves? Without the handle?

A. Yes! You can use the cart with a minimum of two shelves and without the handle.

Specifications

Dimensions: 33.75" W x 18" D x 32.25" H

Weight capacity: 500 lbs. evenly distributed

Weight: 43 lbs.

Customer Service Information

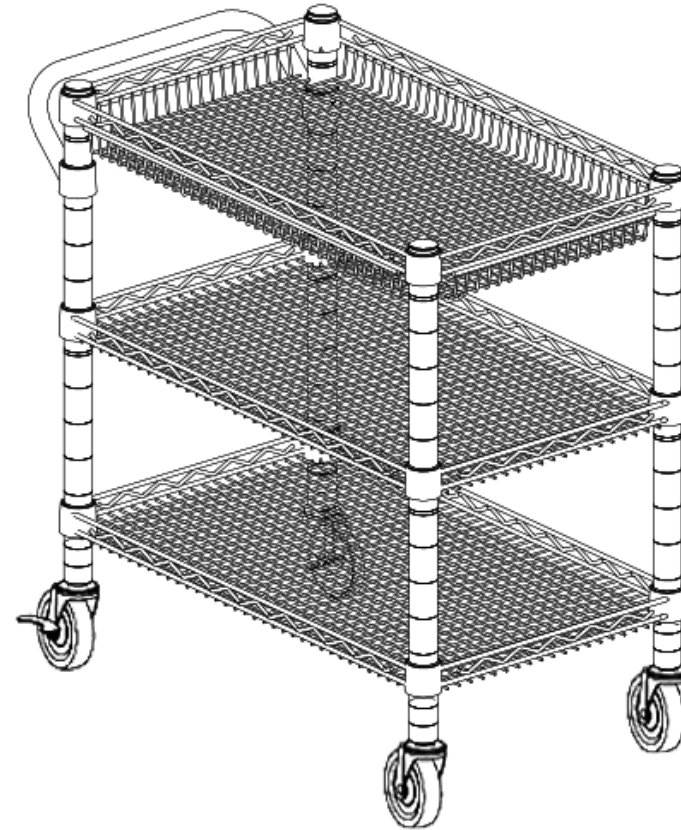
Telephone: (800) 323-5565

Fax: (310) 533-3899

Hours: 8:30 AM – 4:30 PM (PST)

Email: Support@SevilleClassics.com

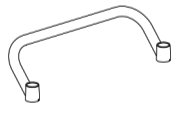
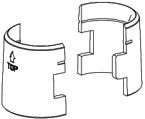


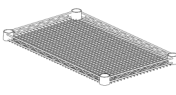

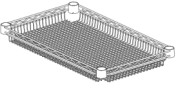
Homepage: www.SevilleClassics.com



Model: SHE99307ZB

Thank you for choosing Seville Classics! We hope that you enjoy your new utility cart. Please read through this user guide for parts list, assembly instructions, frequently asked questions and further contact information.

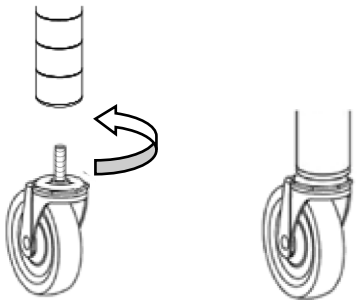
Parts List

A. Push Handle (1)		E. Slip-Sleeves (14)	
B. Poles (4)		F. Wheels (2)	
C. Shelf (2)		G. Locking Wheels (2)	
D. Basket (1)			

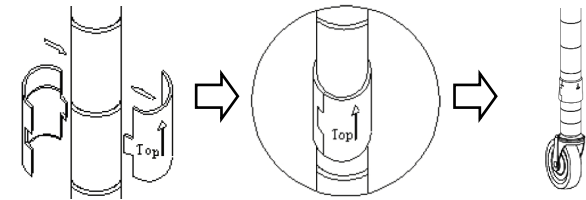
Please make sure you have all the parts on this list.

If you're missing parts, contact us for replacements at (800) 323-5565 or send an email to Support@SevilleClassics.com

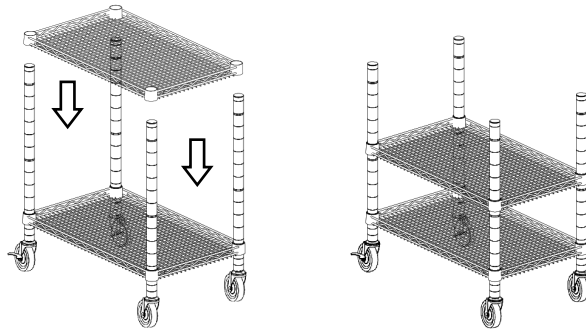
Assembly Instructions



STEP 1.
Screw stem of **WHEELS (F, G)** into bottom of **POLES (B)**.



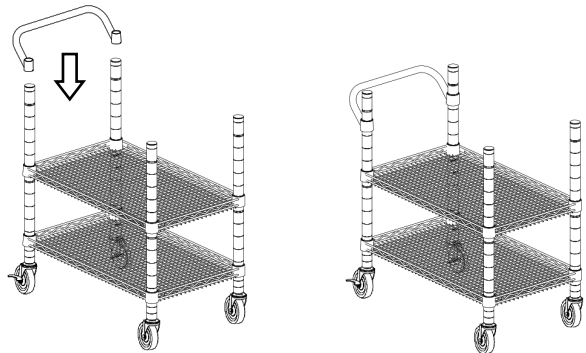
STEP 2.
Snap **SLIP SLEEVES (E)** to the lowest groove on **POLES (B)**.



STEP 3.
Fit **SHELF (C)** over the top of the 4 poles and over **SLIP SLEEVES (E)**.

TIP: If needed, use a rubber mallet to fasten the shelf.

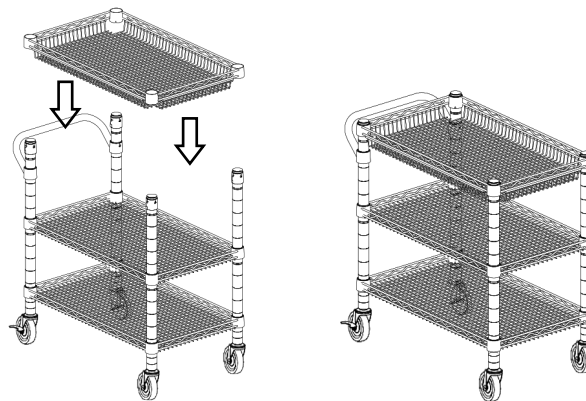
Repeat **STEPS 2-3** at chosen height for 2nd shelf.



STEP 4.
Snap 2 **SLIP SLEEVES (E)** to poles on the narrow side of the cart.

TIP: Leave space at top of **POLES (B)** for final shelf.

Slide **PUSH HANDLE (A)** over **SLIP SLEEVES (E)**.



STEP 5.
Repeat **STEPS 2-3** for **BASKET (D)**.

TIP: If necessary, use a rubber mallet to fasten and secure the shelf.