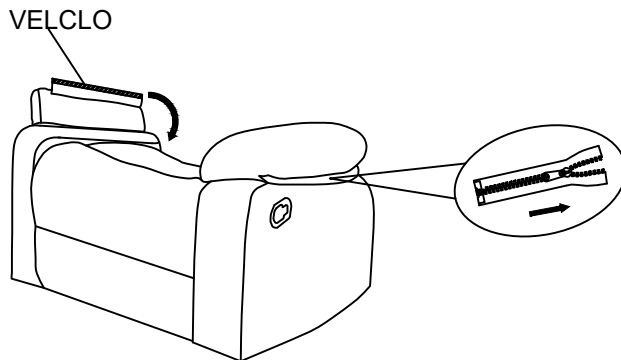


# ASSEMBLY INSTRUCTIONS

## ITEM: 6648/6700

PLEASE IDENTIFY AND LOCATE ALL ASSEMBLY PARTS (SEE PARTS LIST) BEFORE DISCARDING ANY PACKING MATERIALS. SOME PARTS MAY HAVE BECOME LOOSE DURING TRANSIT.

STEP 1: ARM REST CUSHIONS ASSEMBLY INSTRUCTION.

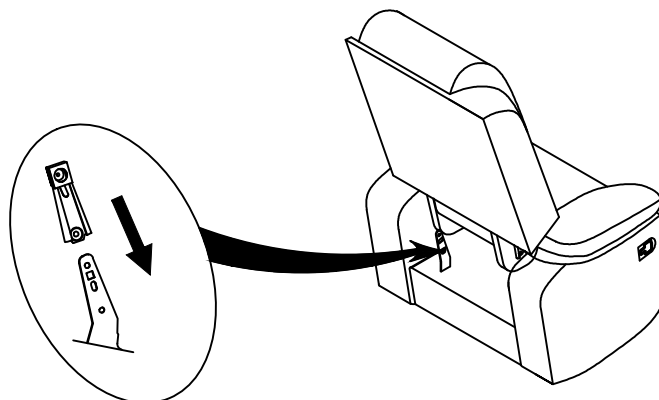


PART LIST:

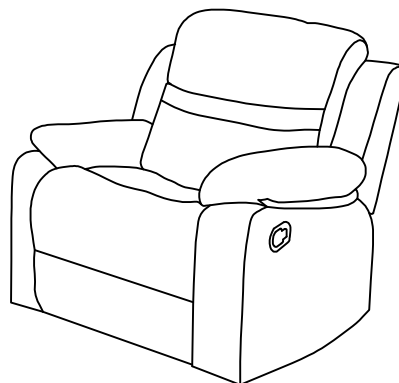
NO	SKETCH	DESCRIPTION	QTY
1		CHAIR BASE	1PC
2		LHF/RHF BACK CUSHION	1PC
3		LHF/RHF ARM REST CUSHIONS	2PCS

STEP 2: BACK CUSHION ASSEMBLY INSTRUCTION

INSERT THE BACK CUSHION INTO THE BASE OF RECLINER ON BOTH SIDES FOR QUICK AND EASY ASSEMBLY.



STEP 3: CONGRATULATION ON YOUR ASSEMBLY INSTRUCTION SUCCESS.



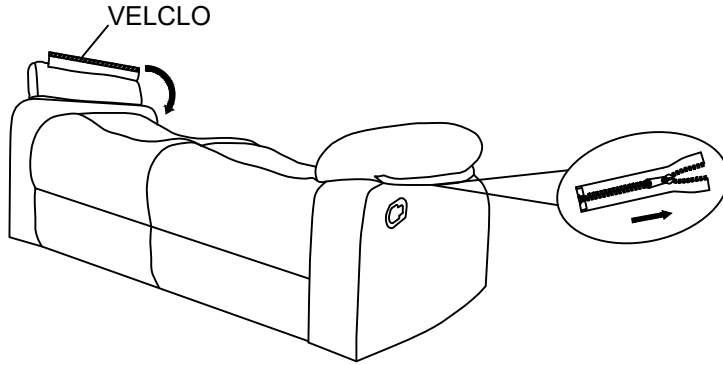
MADE IN VIETNAM

# ASSEMBLY INSTRUCTIONS

## ITEM: 6646/6698

PLEASE IDENTIFY AND LOCATE ALL ASSEMBLY PARTS (SEE PARTS LIST) BEFORE DISCARDING ANY PACKING MATERIALS. SOME PARTS MAY HAVE BECOME LOOSE DURING TRANSIT.

### STEP 1: ARM REST CUSHIONS ASSEMBLY INSTRUCTION.

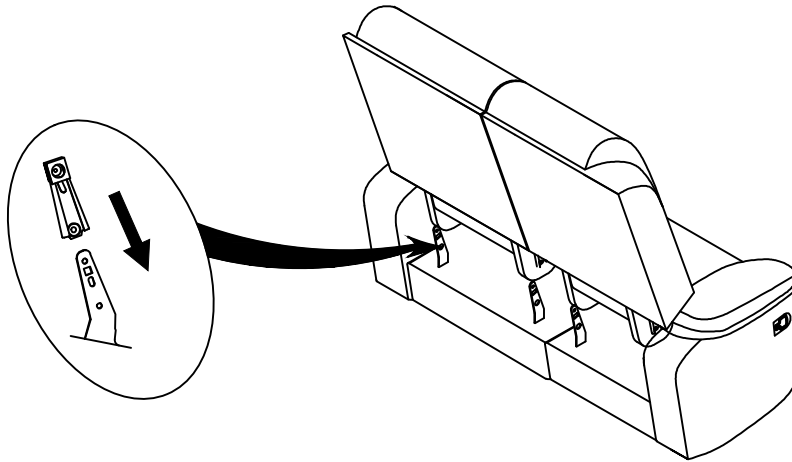


### PART LIST:

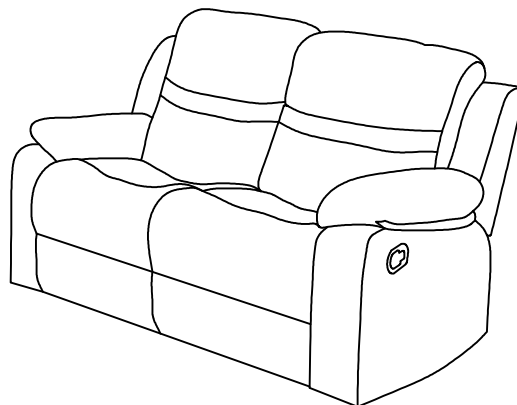
NO	SKETCH	DESCRIPTION	QTY
1		LOVESEAT BASE	1PC
2		LHF/RHF BACK CUSHIONS	2PCS
3		LHF/RHF ARM REST CUSHIONS	2PCS

### STEP 2: BACK CUSHION ASSEMBLY INSTRUCTION

INSERT THE BACK CUSHIONS INTO THE BASE OF RECLINER ON BOTH SIDES FOR QUICK AND EASY ASSEMBLY.



### STEP 3: CONGRATULATION ON YOUR ASSEMBLY INSTRUCTION SUCCESS.



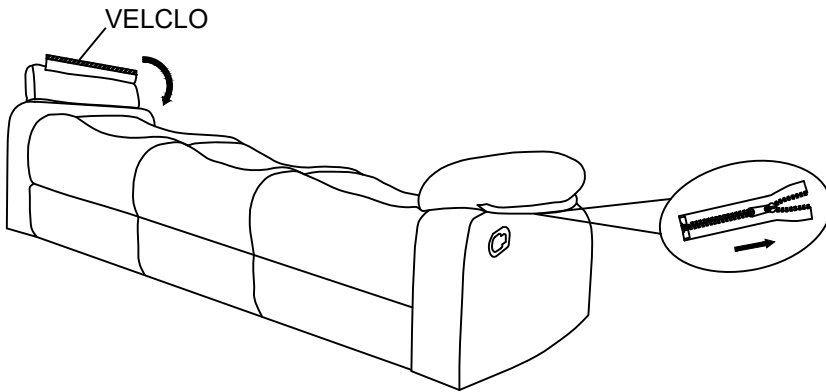
MADE IN VIETNAM

# ASSEMBLY INSTRUCTIONS

## ITEM: 6647/6699

PLEASE IDENTIFY AND LOCATE ALL ASSEMBLY PARTS (SEE PARTS LIST) BEFORE DISCARDING ANY PACKING MATERIALS. SOME PARTS MAY HAVE BECOME LOOSE DURING TRANSIT.

### STEP 1: ARM REST CUSHIONS ASSEMBLY INSTRUCTION.

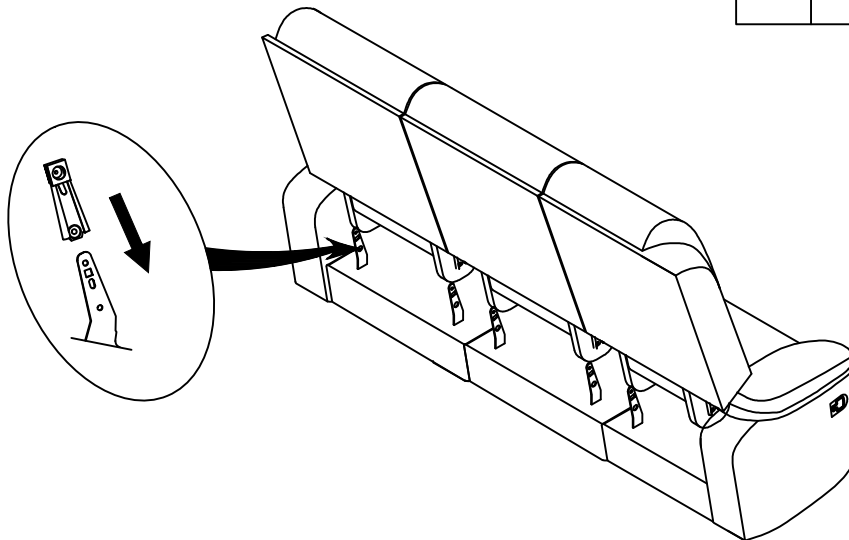


### PART LIST:

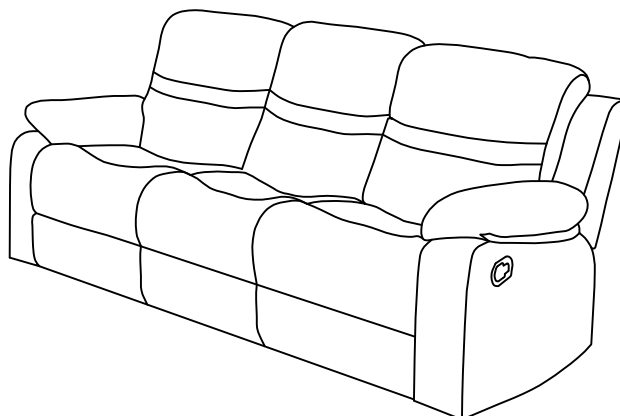
NO	SKETCH	DESCRIPTION	QTY
1		SOFA BASE	1PC
2		LHF/RHF BACK CUSHIONS	2PCS
3		MIDDLE BACK CUSHION	1PC
4		LHF/RHF ARM REST CUSHIONS	2PCS

### STEP 2: BACK CUSHION ASSEMBLY INSTRUCTION

INSERT THE BACK CUSHIONS INTO THE BASE OF RECLINER ON BOTH SIDES FOR QUICK AND EASY ASSEMBLY.



### STEP 3: CONGRATULATION ON YOUR ASSEMBLY INSTRUCTION SUCCESS.



MADE IN VIETNAM