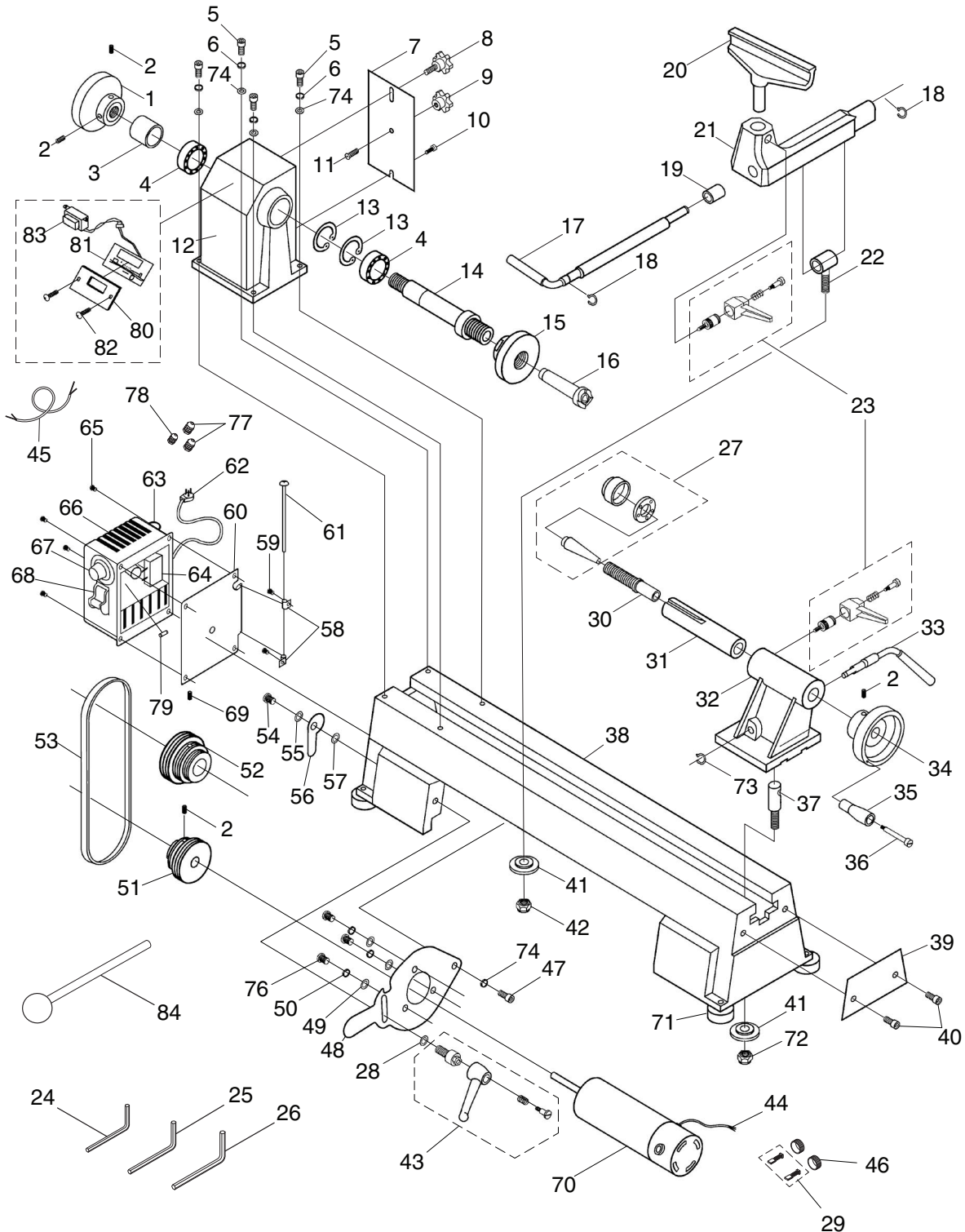


SECTION 9: PARTS

T25920 Breakdown



Please Note: We do our best to stock replacement parts whenever possible, but we cannot guarantee that all parts shown here are available for purchase. Call (800) 523-4777 or visit our online parts store at www.grizzly.com to check for availability.



T25920 Parts List

REF	PART #	DESCRIPTION
1	PT25920001	HANDWHEEL 82MM X M18-2.5 LH BORE
2	PT25920002	SET SCREW M6-1 X 12
3	PT25920003	COLLAR SPINDLE
4	PT25920004	BALL BEARING 80105
5	PT25920005	CAP SCREW M8-1.25 X 25
6	PT25920006	LOCK WASHER 8MM
7	PT25920007	REAR BELT ACCESS DOOR
8	PT25920008	THUMB SCREW M5-.8 X 9
9	PT25920009	STATIONARY KNOB M5-.8
10	PT25920010	SHOULDER SCREW M5-.8 X 7, 2
11	PT25920011	FLAT HD SCR M5-.8 X 10
12	PT25920012	HEADSTOCK
13	PT25920013	INT RETAINING RING 47MM
14	PT25920014	HEADSTOCK SPINDLE
15	PT25920015	FACEPLATE 3-1/4"
16	PT25920016	SPUR CENTER MT#2
17	PT25920017	TOOL REST LOCK HANDLE
18	PT25920018	EXT RETAINING RING 10MM
19	PT25920019	TOOLREST BUSHING
20	PT25920020	TOOLREST 150MM
21	PT25920021	TOOLREST BASE
22	PT25920022	TOOLREST CAM FOLLOWER
23	PT25920023	ADJUSTABLE HANDLE M8-1.25 X 20
24	PT25920024	HEX WRENCH 3MM
25	PT25920025	HEX WRENCH 6MM
26	PT25920026	HEX WRENCH 8MM
27	PT25920027	LIVE CENTER MT#2
28	PT25920028	FENDER WASHER 8MM
29	PT25920029	MOTOR CARBON BRUSH 2-PC SET
30	PT25920030	TAILSTOCK LEADSCREW
31	PT25920031	TAILSTOCK QUILL
32	PT25920032	TAILSTOCK
33	PT25920033	TAILSTOCK LEVER
34	PT25920034	HANDWHEEL 83MM X 15MM BORE
35	PT25920035	HANDWHEEL HANDLE 6MM X 50MM
36	PT25920036	SHOULDER SCREW M6-1 X 53
37	PT25920037	TAILSTOCK CLAMP BOLT M8-1.25 X 30
38	PT25920038	BED
39	PT25920039	RETAINING PLATE
40	PT25920040	CAP SCREW M10-1.5 X 12
41	PT25920041	LOCK PLATE
42	PT25920042	LOCK NUT M10-1.5

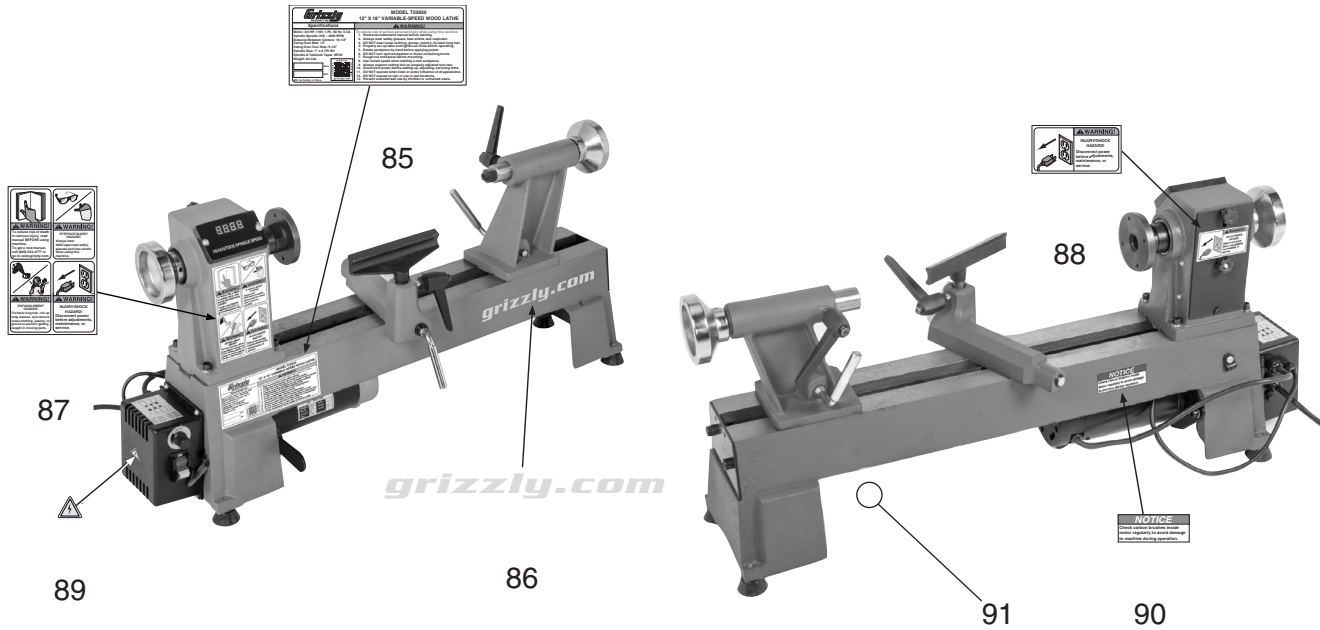
REF	PART #	DESCRIPTION
43	PT25920043	MOTOR PLATE HANDLE ASSEMBLY
44	PT25920044	MOTOR CORD 18G 3W 16"
45	PT25920045	SWITCH CORD 18G 3W 22"
46	PT25920046	MOTOR CARBON BRUSH CAP
47	PT25920047	CAP SCREW M8-1.25 X 12
48	PT25920048	MOTOR MOUNT PLATE
49	PT25920049	FLAT WASHER 6MM
50	PT25920050	LOCK WASHER 6MM
51	PT25920051	MOTOR PULLEY
52	PT25920052	DRIVE PULLEY
53	PT25920053	POLY V-BELT 7 X 685MM
54	PT25920054	SWITCH BOX LATCH BOLT M4-.7 X 5
55	PT25920055	WAVY WASHER 6MM
56	PT25920056	SWITCH BOX LATCH
57	PT25920057	FLAT WASHER 4MM
58	PT25920058	HINGE
59	PT25920059	PHLP HD SCR M4-.7 X 8
60	PT25920060	SWITCH BOX PLATE
61	PT25920061	HINGE PIN
62	PT25920062	POWER CORD 18G 3W 72" 5-15P
63	PT25920063	CIRCUIT BREAKER 6A GENERAL
64	PT25920064	CIRCUIT BOARD
65	PT25920065	PHLP HD SCR M4-.7 X 6
66	PT25920066	SWITCH BOX
67	PT25920067	POTENTIOMETER B103
68	PT25920068	TOGGLE SWITCH RU CB-8 E19 4417
69	PT25920069	SET SCREW M6-1 X 12
70	PT25920070	MOTOR 550W 110VDC
71	PT25920071	RUBBER FOOT M8-1.25 X 15
72	PT25920072	LOCK NUT M8-1.25
73	PT25920073	EXT RETAINING RING 10MM
74	PT25920074	FLAT WASHER 8MM
76	PT25920076	FLAT HD SCR M6-1 X 12
77	PT25920077	STRAIN RELIEF 5/16" SNAP-IN ST
78	PT25920078	STRAIN RELIEF 1/4" SNAP-IN ST
79	PT25920079	FUSE 10A 250V FAST-ACTING GLASS
80	PT25920080	DIGITAL DISPLAY COVER
81	PT25920081	DIGITAL DISPLAY PLATE
82	PT25920082	PHLP HD SCR M4-.7 X 16
83	PT25920083	TRANSFORMER 110V/9V
84	PT25920084	KNOCKOUT BAR

WARNING

Safety labels help reduce the risk of serious injury caused by machine hazards. If any label comes off or becomes unreadable, the owner of this machine **MUST** replace it in the original location before resuming operations. For replacements, contact (800) 523-4777 or www.grizzly.com.



T25920/T25926 Labels & Cosmetics



REF	PART #	DESCRIPTION
85	PT25920085	MACHINE ID LABEL (T25920)
85	PT25926085	MACHINE ID LABEL (T25926)
86	PT25920086	GRIZZLY.COM LABEL
87	PT25920087	SAFETY WARNING LABEL

REF	PART #	DESCRIPTION
88	PT25920088	SHOCK HAZARD LABEL
89	PT25920089	ELECTRICITY LABEL
90	PT25920090	CARBON BRUSHES NOTICE LABEL
91	PT25920091	GRIZZLY GREEN TOUCH-UP PAINT

WARNING

Safety labels help reduce the risk of serious injury caused by machine hazards. If any label comes off or becomes unreadable, the owner of this machine **MUST** replace it in the original location before resuming operations. For replacements, contact (800) 523-4777 or www.grizzly.com.

